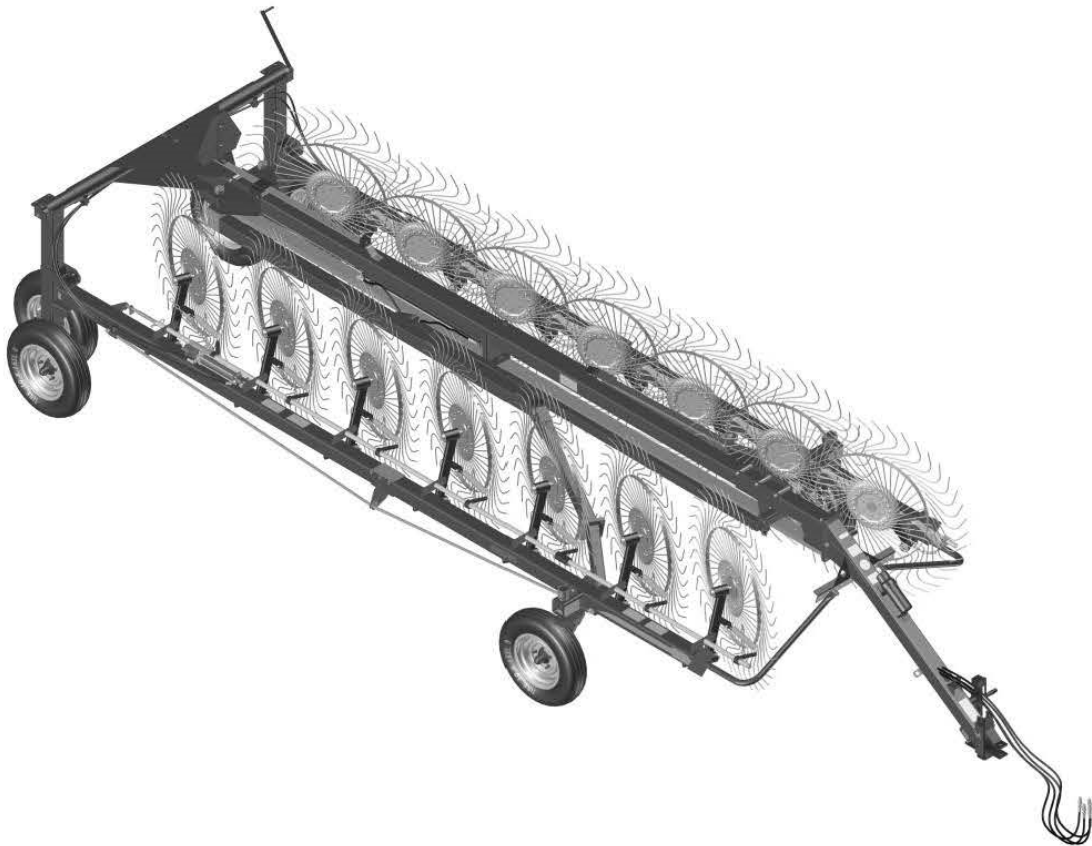


H&S PARTS BOOK

HC4114 RAKE



Revision #06
Starting Ser. #811HC14016

Part #73133
HSMFG0418

P.O. BOX 768, MARSHFIELD, WI 54449
(715) 387-3414 FAX (715) 384-5463
www.hsmfgco.com

CONTENTS

Instructions For Ordering Parts – About Improvements	1
Figure 1 - Front Pole Assembly.....	2-3
Figure 2 – Frame & Components	4-5
Figure 3 – Back Linkage Assembly	6-7
Figure 4 – Rear Pivot & Components.....	8-9
Figure 5 – Rear Hub Assembly	10-11
Figure 6 – Linkage Assembly	12-13
Figure 7 – RH Rake Beam Assembly.....	14-15
Figure 8 – LH Rake Beam Assembly	16-17
Figure 9 – Rake Wheel Assembly	18-19
Figure 10 – Hub & Brake Assembly	20-21
Figure 11 – Hydraulics	22-23
Figure 12 – Hydraulic Lift Cylinder	24-25
Figure 13 – Hydraulic Opening Cylinder.....	26-27
Figure 14 – Optional 15” Gauge Wheel.....	28-29
Figure 15 – Optional 2 Wheel Extension	30-31
Figure 16 – Optional 2 Wheel Center Kicker Wheel.....	32-33
Figure 17 – Optional 3 Wheel Center Kicker Wheel.....	34-37
Figure 18 – Optional Wind Guar.....	38-39
Figure 19 – Optional Rake Lights	40-41
Figure 20 – Optional Tire & Wheel.....	42-43
Figure 21 – Optional Wrap Around Kit	44-45
Parts Notes -	46

INSTRUCTIONS FOR ORDERING PARTS

All service parts should be ordered through your authorized H&S dealer. They will be able to give you faster service if you will provide them with the following

1. Model & Serial number is located on the left, rear main frame of your unit.
2. All reference to left or right apply to the machine as viewed from the rear.
3. Parts should not be ordered from illustration only. Please order by complete part number.
4. If your dealer has to order parts - give shipping instructions:

VIA truck - large pieces (please specify local truck lines)

VIA United Parcel Service (include full address)

H&S MFG. CO. INC.	
MARSHFIELD, WIS.	
MOD. NO.	<input type="text"/>
SER. NO.	<input type="text"/>
DESCR.	<input type="text"/>

PLEASE RECORD NUMBERS FOR YOUR UNIT FOR QUICK REFERENCE

ABOUT IMPROVEMENTS

H&S IS CONTINUALLY STRIVING TO IMPROVE IT'S PRODUCTS

We must therefore, reserve the right to make improvements or changes whenever it becomes practical to do so without incurring any obligation to make changes or additions to the equipment previously sold.

FIGURE 1

FRONT POLE ASSEMBLY

<u>ITEM</u>	<u>QTY</u>	<u>PART #</u>	<u>DESCRIPTION</u>
1	1	67220	ASSM, POLE FRONT
2	2	BFR753A	JACK, SIDEWIND,2000#
3	1	BFR157	ASSM, HITCH
4	1	BFR450	ASSM, HITCH PIN
5	2	YPHR02010	HAIR PIN, #21-07
6	1	S522	MANUAL HOLDER
7	1	56568	CLAMP BOLT
8	1	YBHH08010	BOLT, 1/4 X 1 GR 5
9	2	YBHH08100	BOLT, 1/4 X 3/4 GR 5
10	6	YBHH20025	BOLT, 5/8 X 2 GR 5
11	6	YNHX20010	HEX NUT, 5/8-18 GR 8
12	3	YNNY08005	HEX NUT, NYLON LOCKNUT, 1/4-20
13	3	YWFL08005	WASHER, FLAT, 1/4 USS
14	1	56563	CLAMP TOP PLATE
15	1	56573	CLAMP STACKING BOLT
16	1	56581	CLAMP TOP PLATE
17	2	67354	HOSE CLAMP, DOUBLE, 1/4"
18	1	BFR452	ASSM, TRANSPORT LOCK PIPE LH
19	1	BFR492	ASSM, TRANSPORT LOCK PIPE RH
20	2	YPLY08011	LYNCH PIN, 1/4 X 1-9/16
21	1	12N117	PIN, 0.56, 5.19, JACK
22	6	YWLO20005	WASHER, LOCK, 5/8
23	1	67443	TRIM, PLASTIC, .19 X 10.3, METAL CORE
24	1	67448	TRIM, PLASTIC, .25 X 7.68, METAL CORE TRIM,
25	1	67442	PLASTIC, 0.25X10.3, METAL CORE
26	1	76461	BALL HITCH WLDMNT, 2-5/16 BALL (OPTIONAL)
*	1	78464	HITCH EXTENSION

NOTE: * MEANS NOT SHOWN

FIGURE 2 FRAME & COMPONENTS

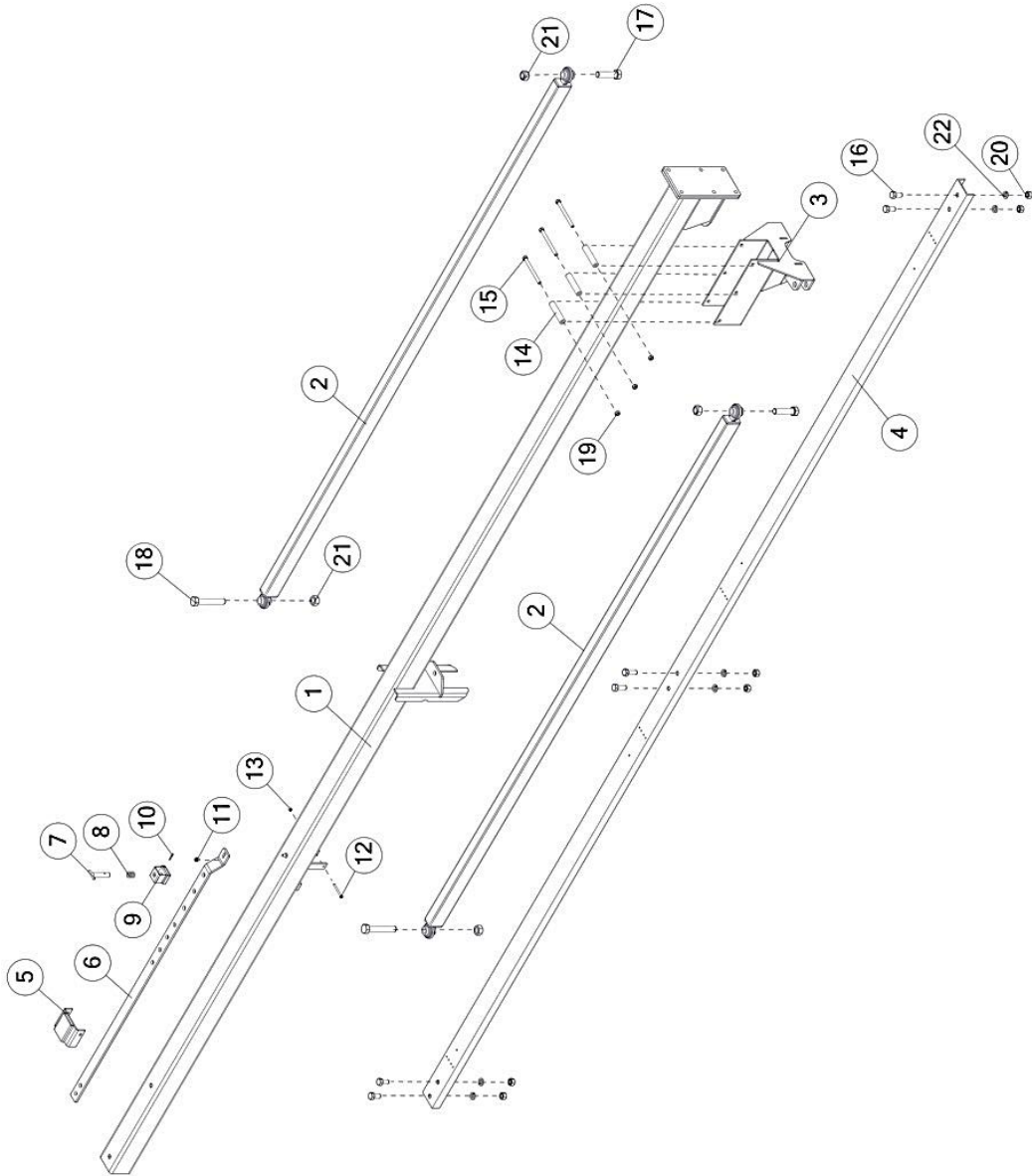


FIGURE 2

FRAME & COMPONENTS

<u>ITEM</u>	<u>QTY</u>	<u>PART #</u>	<u>DESCRIPTION</u>
1	1	67236	ASSM, POLE, CENTER
2	2	BFR458	ASSM, FRONT LINKAGE
3	1	73141	SLIDER WLDMT, FRONT
4	1	70181	CHL, C, 4.00 X 1.58 X 226.31
5	1	67368	WLDMT, STOP, ADJUSTMENT
6	1	67416	BRKT, ADJUSTMENT
7	1	BFR241	ADJUSTMENT HANDLE
8	1	BFR240	SPRING
9	1	BFR239	ASSY, SLEEVE LOCK ADJUSTMENT
10	1	YPCT05005	COTTER PIN, 5/32 X 1
11	1	YBFL10002	SCR, FLG, 0.75-10 X 4.00, G8, PO
12	1	YBHH08114	BOLT, 1/4 X 4 GR 5
13	1	YNTL08005	HEX NUT, TOP LOCK, 1/4-20
14	3	BFR457	TUBE, RND, STR, 1.00 X 0.23 X 4.56
15	3	YBHH16165	BOLT, 1/2 X 6 GR 5
16	6	YBHH24012	3/4-10 X 1-1/2 GRADE 8 BOLT
17	2	YBHH32015	BOLT, 1"-8 X 4 GR 5
18	2	YBHH32025	BOLT, 1"-8 X 6 GR 5
19	3	YNTL16005	HEX NUT, TOP LOCK, 1/2-13
20	6	YNHX24004	HEX NUT, 3/4-10 GR 5
21	4	YNTL32005	HEX NUT, TOP LOCK, 1"-8 GR. C, ZINC
22	6	YWLO24005	WASHER, LOCK, 3/4

FIGURE 3

BACK LINKAGE ASSEMBLY

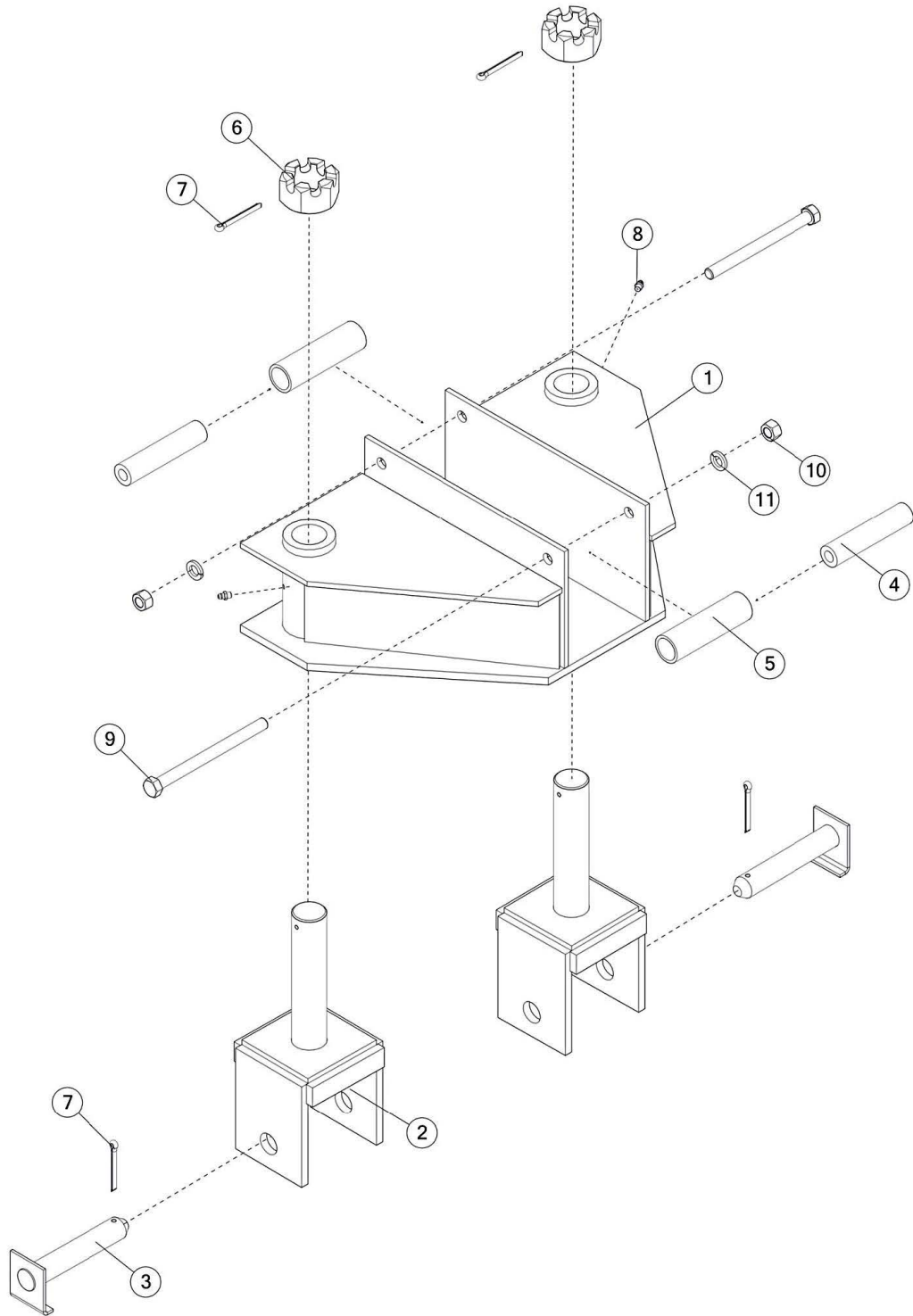


FIGURE 3

BACK LINKAGE ASSEMBLY

<u>ITEM</u>	<u>QTY</u>	<u>PART #</u>	<u>DESCRIPTION</u>
1	1	BFR491	ASSM, BACK LINKAGE SLIDER
2	2	BFR476	ASSM, BACK LINKAGE YOKE
3	2	BFR479	ASSM, PIVOT YOKE SHAFT PIN
4	2	BFR457	TUBE, RND, STR, 1.00 X 0.23 X 4.56
5	2	BFR471	BACK SLIDER ROLLER
6	2	YNSL40005	HEX NUT, SLOTTED, 1-1/2"-12
7	4	YPCT07005	COTTER PIN, 7/32 X 2
8	2	G89	ZERK, 1/4"-28 STRAIGHT
9	2	YBHH16175	BOLT, 1/2 X 6-1/2 GR 5
10	2	YNHX16005	HEX NUT, 1/2
11	2	YWLO16005	WASHER, LOCK, 1/2

FIGURE 4

REAR PIVOT & COMPONENTS

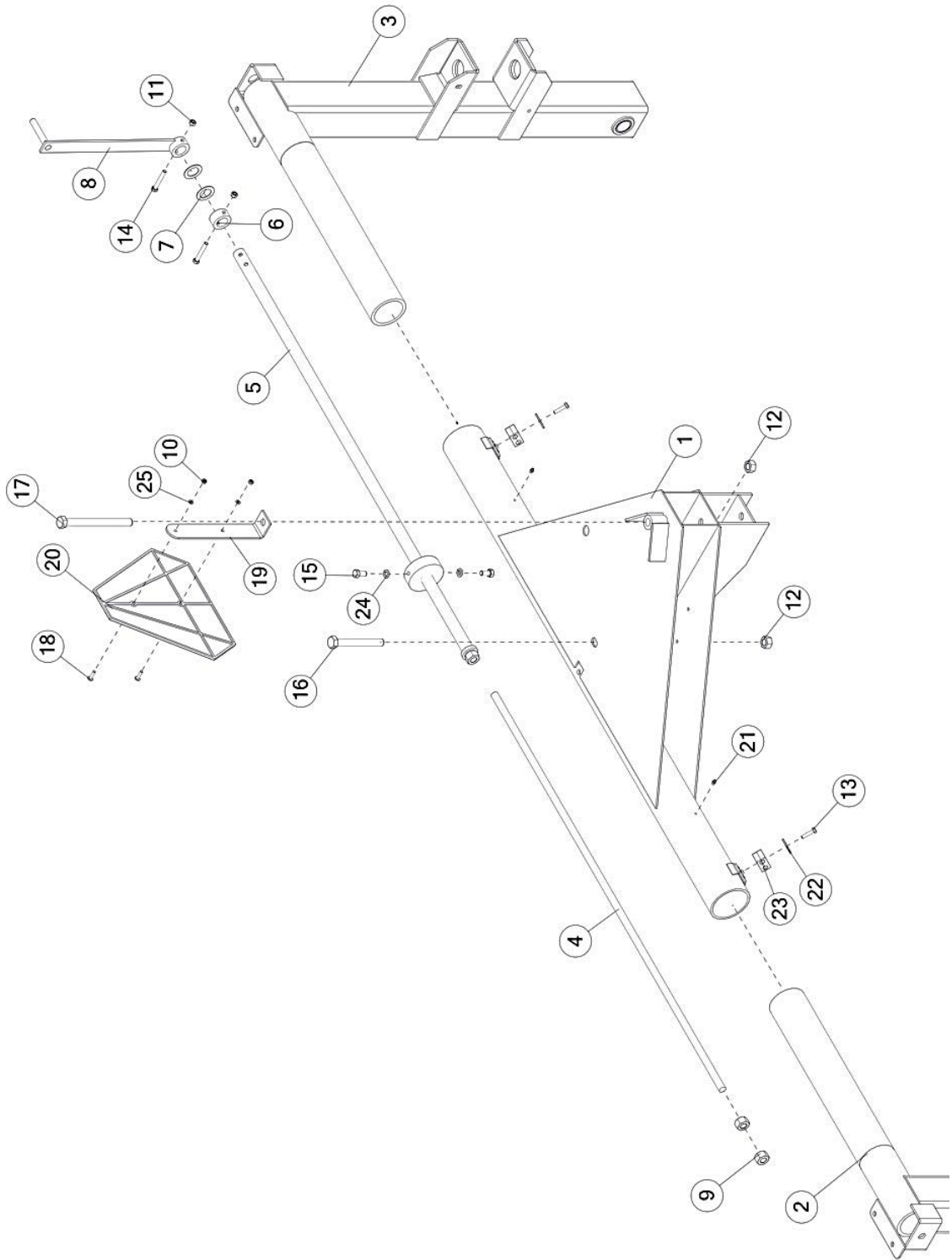


FIGURE 4

REAR PIVOT & COMPONENTS

<u>ITEM</u>	<u>QTY</u>	<u>PART #</u>	<u>DESCRIPTION</u>
1	1	67320	REAR PIVOT
2	1	66841	WLDMT, FRAME, UPRIGHT, RH
3	1	66837	WLDMT, FRAME, UPRIGHT, LH
4	1	66845	REAR WIDTH ADJUSTMENT ROD
5	1	66839	REAR WIDTH ADJUSTMENT TUBE
6	1	BFR422	WIDTH ADJUSTMENT COLLAR
7	2	BFR523	POLY WASHER
8	1	BFR423	ASSM, WIDTH ADJUSTMENT HANDLE
9	2	YNAC24005	HEX NUT, ACME, 3/4-6
10	2	YNHX08005	HEX NUT, 1/4
11	2	YNHX12005	HEX NUT, 3/8-16 GR 2
12	2	YNTL24005	HEX NUT, TOP LOCK, 3/4-10
13	2	56568	CLAMP BOLT
14	2	YBHH12090	BOLT, 3/8 X 2-1/2 GR 5
15	2	YBHH16010	BOLT, 1/2 X 1 GR 5
16	1	YBHH24090	BOLT, 3/4 X 6 GR 5
17	1	YBHH24115	BOLT, 3/4 X 8-1/2 GR 5
18	2	YSTM08005	TRUSS HEAD MACH, SCREW, 1/4-20 X 1 GR.5 ZINC
19	1	BFR649	SMV BRACKET
20	1	BFR723	SMV SIGN
21	2	G89	ZERK, 1/4"-28 STRAIGHT
22	2	56563	CLAMP TOP PLATE
23	2	67354	HOSE CLAMP, DOUBLE, 1/4"
24	2	YWLO16005	WASHER, LOCK, 1/2
25	2	YWLO08005	WASHER, LOCK, 1/4

FIGURE 5

REAR HUB ASSEMBLY

<u>ITEM</u>	<u>QTY</u>	<u>PART #</u>	<u>DESCRIPTION</u>
1	4	BFR128	TIRE 670 X 15
*	4	75696	ST205/75R15-C RADIAL TIRE (OPTIONAL)
2	4	BFR67	WHEEL, 5" X 15"
3	4	72436	VALVE STEM, 1-1/2" RUBBER
4	4	32006	6.70-15 TIRE ON 5" X 15" WHEEL
*	4	75697	205/75R15 TIRE ON AG WHEEL (OPTIONAL)
5	4	17G145	TAPERED ROLLER BEARING, 1.249 BORE
6	4	BFR59	RACE
7	4	BFR61	CUP
8	4	BFR62	CONE BEARING
9	4	BFR66	HUB CAP
10	20	YBSD16005	BOLT, STUD, 1/2-20UNF X 1-7/8 X 3/8, G5, ZC
11	4	YNSL24010	NUT, SLOT, 3/4-16, NA, G2, NF
12	20	YNWL16005	NUT, WHEEL, 1/2-20, NA, G5, ZC
13	4	YPCT05010	COTTER PIN, 5/32 X 1-1/2
14	4	YWFL24010	WASHER, FLAT, SAE 3/4, PLAIN EXPANSION
15	4	YPEX12025	PIN, 3/8" X 2-3/4"
16	4	BFR625	BUSHING, BRONZE, 1-3/4" X 1-1/2" X 2-1/2"
17	2	BFR524	ASSY, TANDEM PIN
18	4	BFR60	HUB, WITH RACES AND STUDS
19	4	BFR522	SPINDLE
20	1	66841	WLDMT, FRAME, UPRIGHT, RH
*	1	66837	WLDMT, FRAME, UPRIGHT, LH
21	1	BFR509	ASSY, RH TANDEM AXLE
*	1	BFR510	ASSY, LH TANDEM AXLE
22	4	BFR75	HUB ASSY
23	4	BFR57	SEAL

*** MEANS NOT SHOWN**

FIGURE 6
LINKAGE ASSEMBLY

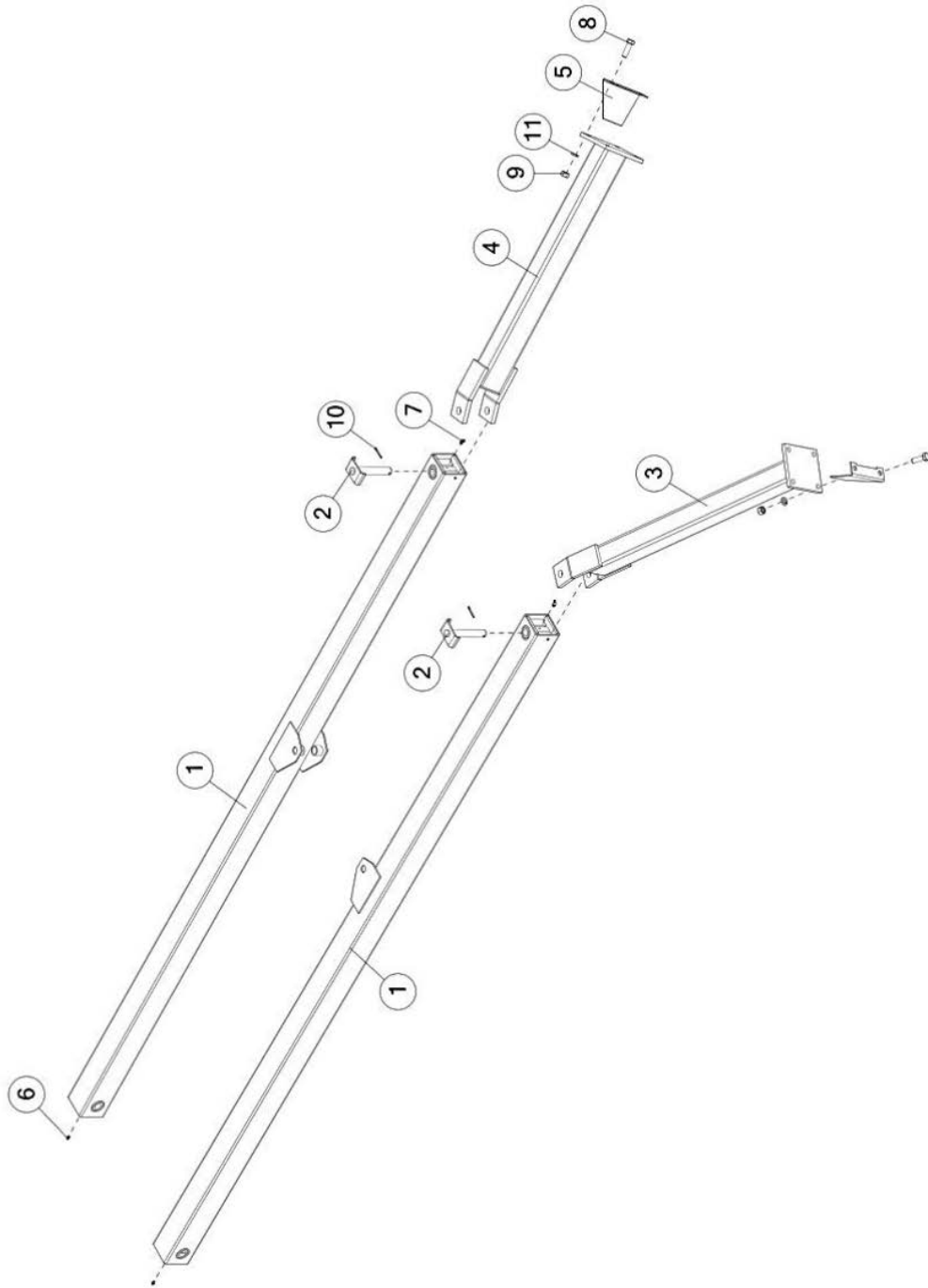


FIGURE 6
LINKAGE ASSEMBLY

<u>ITEM</u>	<u>QTY</u>	<u>PART #</u>	<u>DESCRIPTION</u>
1	2	BFR462	ASSM, RIGHT REAR LINKAGE
2	2	BFR461	ASSM, RAKE BEAM ARM PIN
3	1	BFR744	ASSM, RAKE BEAM ARM, RH
4	1	BFR745	ASSM, RAKE BEAM ARM, LH
5	2	BFR549	TOOTH DEFLECTOR
6	2	G89	ZERK, 1/4"-28 STRAIGHT
7	2	RG21	GREASE ZERK, 45 DEGREE
8	8	YBHH20025	BOLT, 5/8 X 2 GR 5
9	8	YNHX20010	HEX NUT, 5/8-18 GR 8
10	2	YPCT05010	COTTER PIN 5/32" X 1-1/2"
11	8	YWLO20005	WASHER, LOCK, 5/8

FIGURE 7
RH RAKE BEAM ASSEMBLY

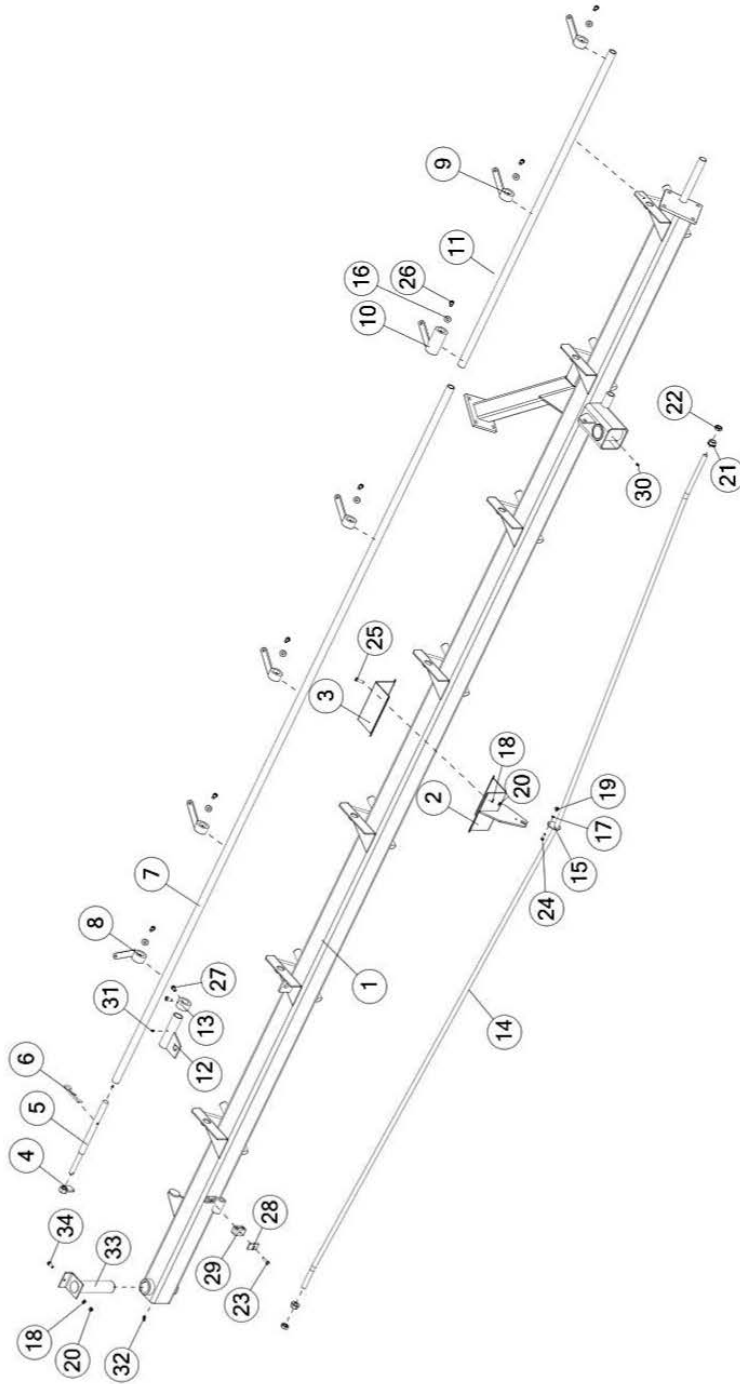


FIGURE 7

RH RAKE BEAM ASSEMBLY

<u>ITEM</u>	<u>QTY</u>	<u>PART #</u>	<u>DESCRIPTION</u>
1	1	67336	ASSM, BEAM WITH DECALS, RH
2	1	14DWE85	ROD STANDOFF
3	1	14D3G18	ROD STAND-OFF BRACKET
4	1	BFR426	ASSM, RAKE PRESSURE HANDLE
5	1	BFR486	ASSM, RAKE ARM LOCK-UP SHAFT
6	1	YPHR08040	HAIR PIN, 1/4" X 5" 2109
7	1	BFR521	LIFTING PIPE BACK
8	1	BFR431	ASSM, SPRING BRACKET, LH
9	4	BFR430	ASSM, SPRING BRACKET, RH
10	1	BFR749	ASSM, LONG LIFT PIPE CONNECTOR, RH
11	1	BFR520	FRONT LIFT PIPE
12	1	BFR531	ASSM, HYDRAULIC CYLINDER END SLIDE, RH
13	1	BFR83	PIPE CLAMP
14	1	BFR612	SIDE ARM STABILIZER ROD
15	1	DF22	RING FOR STRAP
16	7	YWFL14005	WASHER, FLAT, 7/16 USS
17	2	YWLO08005	WASHER, LOCK, 1/4
18	7	YWLO12005	WASHER, LOCK, 3/8
19	1	YNHX08005	HEX NUT, 1/4
20	7	YNHX12005	HEX NUT, 3/8-16 GR 2
21	2	BFR618	FLANGE NUT, NF, 3/4"-16
22	2	YNJM24011	HEX NUT, JAM, 3/4-16
23	1	56568	CLAMP BOLT
24	1	YBHH08010	BOLT, 1/4 X 1 GR 5
25	6	YBHH12035	BOLT, 3/8 X 1-1/4 GR 5 FULL THREAD
26	7	YBHH14005	BOLT, 7/16 X 1 GR 5
27	2	YBHH14035	BOLT, 7/16 X 3/4 GR 5
28	1	56563	CLAMP TOP PLATE
29	1	67354	HOSE CLAMP, DOUBLE, 1/4"
30	1	G89	ZERK, 1/4"-28 STRAIGHT
31	1	MS26	1/4" - 28, STRAIGHT STANDARD SHORTGREASE FITTING
32	1	RG21	GREASE ZERK, 45 DEGREE
33	1	BFR756	BEAM PIVOT SHAFT
34	1	YBHH12010	BOLT, 3/8 X 1 GR 5

FIGURE 8

LH RAKE BEAM ASSEMBLY

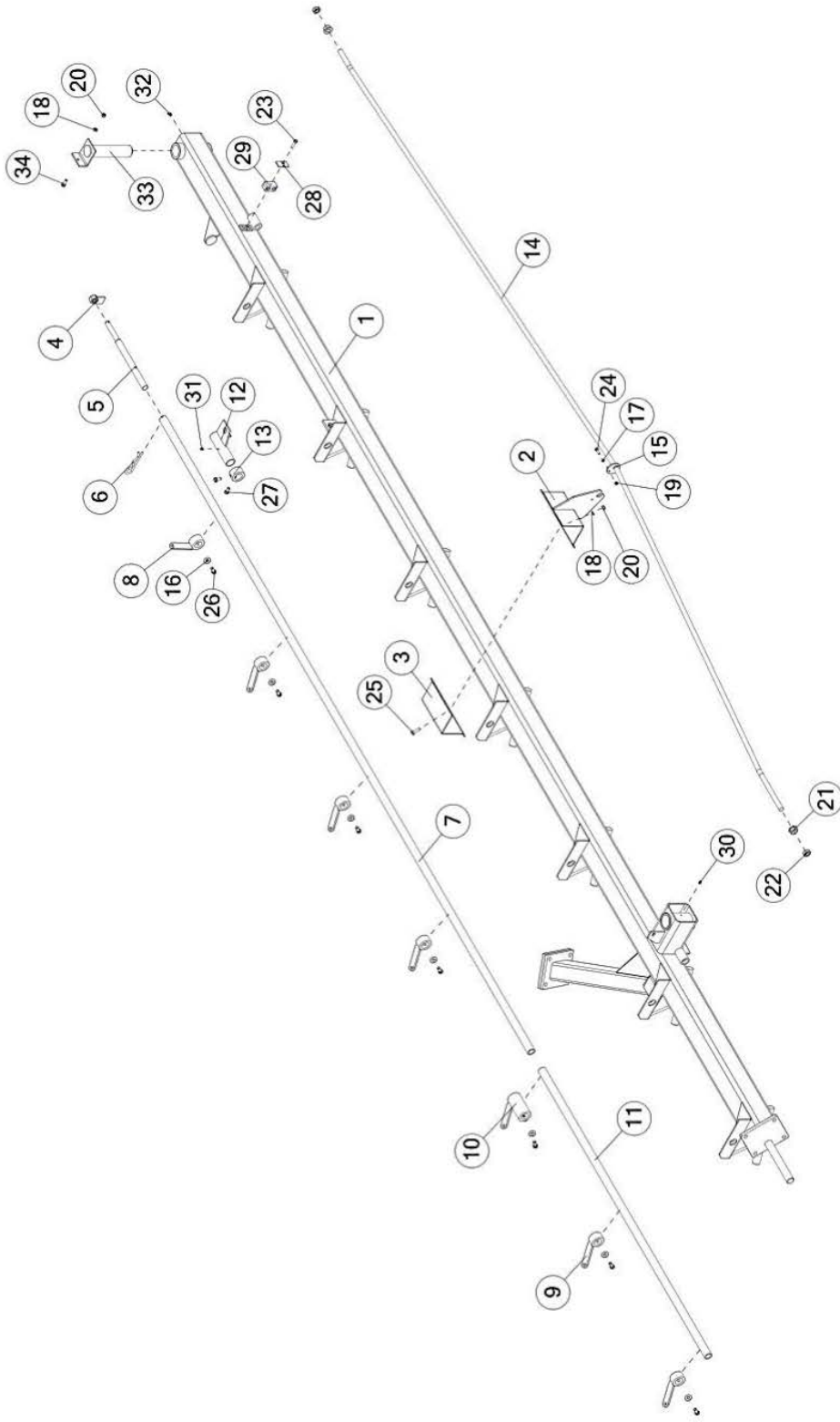


FIGURE 8

LH RAKE BEAM ASSEMBLY

<u>ITEM</u>	<u>QTY</u>	<u>PART #</u>	<u>DESCRIPTION</u>
1	1	67322	ASSM, BEAM WITH DECALS, LH
2	1	14DWE85	ROD STANDOFF
3	1	14D3G18	ROD STAND-OFF BRACKET
4	1	BFR426	ASSM, RAKE PRESSURE HANDLE
5	1	BFR486	ASSM, RAKE ARM LOCK-UP SHAFT
6	1	YPHR08040	HAIR PIN, 1/4" X 5" 2109
7	1	BFR521	LIFTING PIPE BACK
8	1	BFR430	ASSM, SPRING BRACKET, RH
9	4	BFR431	ASSM, SPRING BRACKET, LH
10	1	BFR750	ASSM, LONG LIFT PIPE CONNECTOR, LH
11	1	BFR520	FRONT LIFT PIPE
12	1	BFR530	ASSM, HYDRAULIC CYLINDER END SLIDE, LH
13	1	BFR83	PIPE CLAMP
14	1	BFR612	SIDE ARM STABILIZER ROD
15	1	DF22	RING FOR STRAP
16	7	YWFL14005	WASHER, FLAT, 7/16 USS
17	2	YWLO08005	WASHER, LOCK, 1/4
18	7	YWLO12005	WASHER, LOCK, 3/8
19	1	YNHX08005	HEX NUT, 1/4
20	7	YNHX12005	HEX NUT, 3/8-16 GR 2
21	2	BFR618	FLANGE NUT, NF, 3/4"-16
22	2	YNJM24011	HEX NUT, JAM, 3/4-16
23	1	56568	CLAMP BOLT
24	1	YBHH08010	BOLT, 1/4 X 1 GR 5
25	6	YBHH12035	BOLT, 3/8"-16 X 1-1/4" GR. 5
26	7	YBHH14005	BOLT, 7/16 X 1 GR 5
27	2	YBHH14035	BOLT, 7/16 X 3/4 GR 5
28	1	56563	CLAMP TOP PLATE
29	1	67354	HOSE CLAMP, DOUBLE, 1/4"
30	1	G89	ZERK, 1/4"-28 STRAIGHT
31	1	MS26	1/4" - 28, STRAIGHT STANDARD SHORT GREASE FITTING
32	1	RG21	GREASE ZERK, 45 DEGREE
33	1	BFR756	BEAM PIVOT SHAFT
34	1	YBHH12010	BOLT, 3/8 X 1 GR 5

FIGURE 9 RAKE WHEEL ASSEMBLY

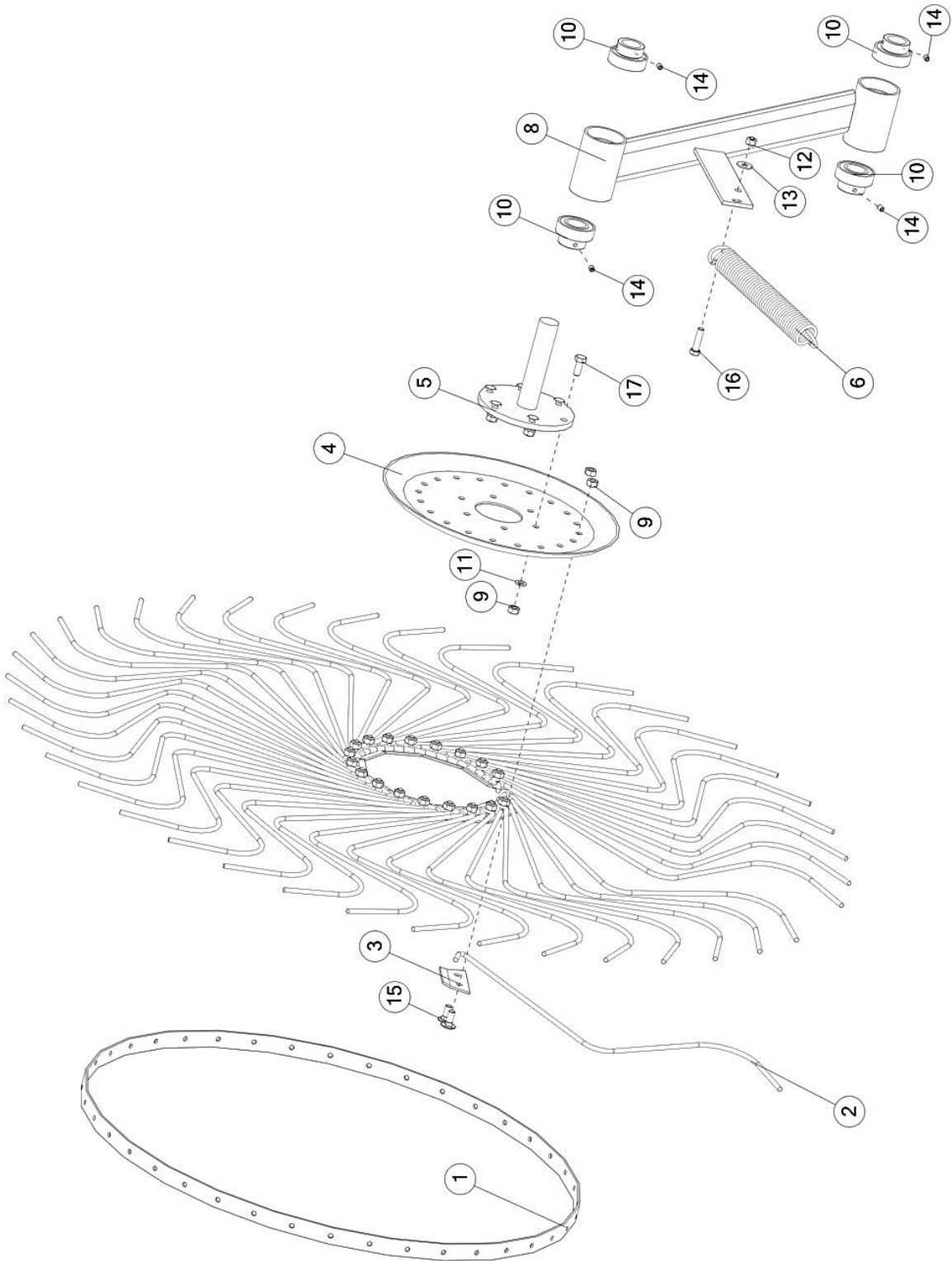


FIGURE 9

RAKE WHEEL ASSEMBLY

<u>ITEM</u>	<u>QTY</u>	<u>PART #</u>	<u>DESCRIPTION</u>
1	1	T177	RAKE WHEEL OUTER RING
2	40	T176	RAKE WHEEL TOOTH
3	10	T178	RAKE TOOTH CLIP
4	1	T179	RAKE WHEEL CENTER
5	1	BFR657	ASSM, RAKE WHEEL HUB
6	1	BFR138	SPRING
7	1	BFR140	RAKE ARM ADJUSTMENT CHAIN
8	1	BFR489	ASSM, RAKE ARM LH
*	1	BFR490	ASSM, RAKE ARM RH
9	26	YNHX76015	HEX NUT, M10-1.5
10	4	BFR525	FLAT BEARING 1-1/4", W/ LOCK COLLAR ASSEMBLY
11	2	YWLO12005	WASHER, LOCK, 3/8
12	1	YNL12005	HEX NUT, TOP LOCK, 3/8-16
13	1	YWFL12005	WASHER, FLAT, 3/8 USS
14	5	YSKP10020	SET SCREW, SOCKET, KNURLED CUP PT, 5/16-24 X 3/8 W/NYL PTCH
15	20	YBCR76005	CARR. BOLT, 10MM X 25MM
16	1	YBHH12025	BOLT, 3/8-16 X 1-1/2 GR 5
17	6	YBHH12035	BOLT, 3/8 X 1-1/4 GR 5
18	6	YNHX12005	HEX NUT, 3/8 - 16 GR 5

*** MEANS NOT SHOWN**

FIGURE 10

HUB & BRAKE ASSEMBLY

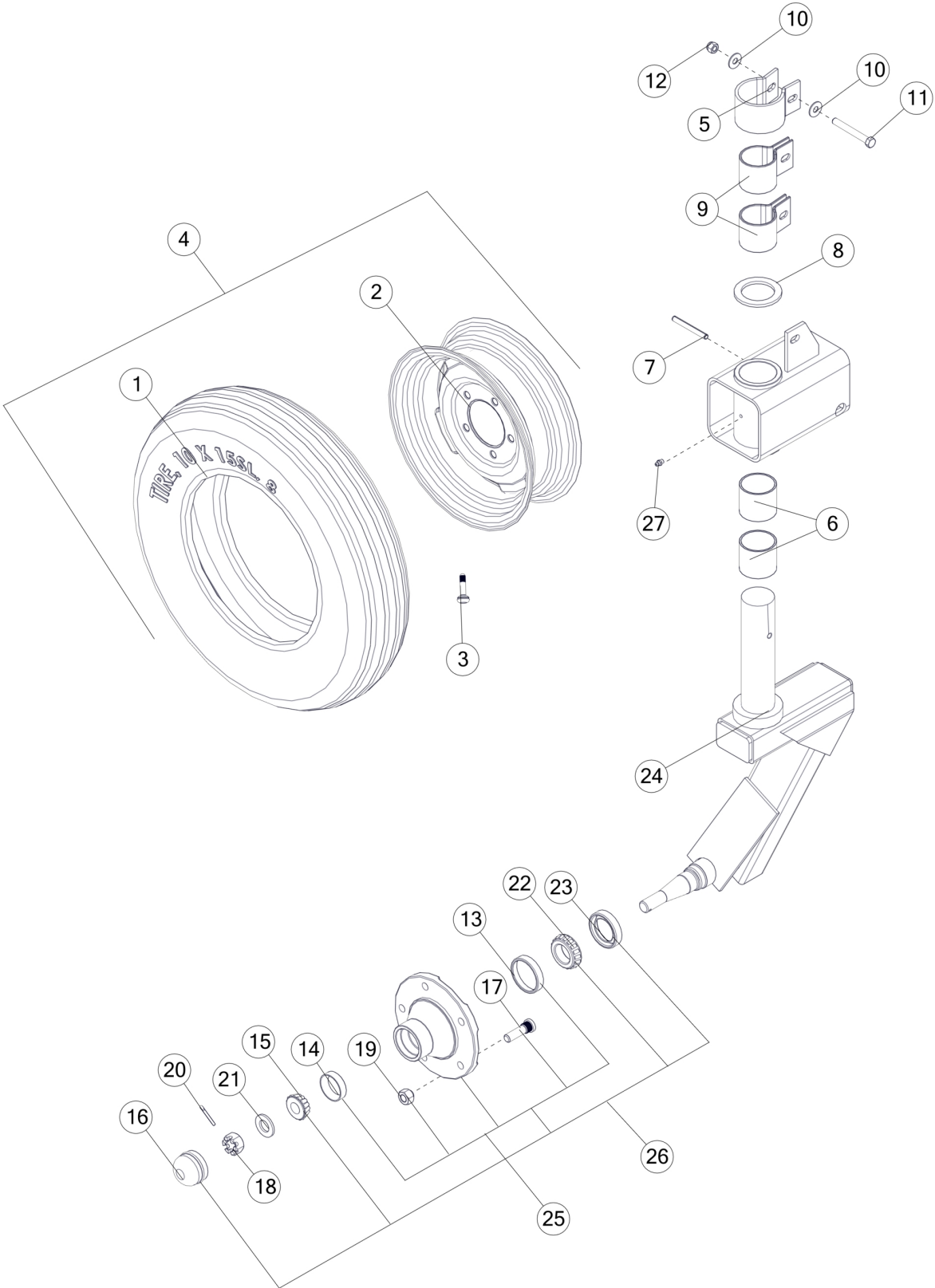


FIGURE 10

HUB & BRAKE ASSEMBLY

<u>ITEM</u>	<u>QTY</u>	<u>PART#</u>	<u>DESCRIPTION</u>
1	2	BFR128	TIRE 670 X 15
2	2	BFR67	WHEEL, 5" X 15"
3	2	72436	VALVE STEM, 1-1/2" RUBBER
4	2	32006	6.70-15 TIRE ON 5" X 15" WHEEL
5	2	BFR311	BRAKE COLLAR
6	4	RG26	BUSHING, STEEL, 2.015" ID X 2.25" OD X 2.00" LONG
7	2	YPEX10025	EXPANSION PIN, 5/16" X 2-3/4"
8	1	BFR309	GAUGE WHEEL WASHER
9	4	BFR310	BRAKE PAD
10	4	YWFL12005	WASHER, FLAT, 3/8 USS
11	2	YBHH12125	BOLT, HEX, FT, 3/8-16 X 3, G5, ZC
12	2	YNNY12005	NUT, HEX, 3/8-16, LKNY, G2, ZC
13	2	BFR57	SEAL
14	2	BFR61	CUP
15	2	BFR62	CONE BEARING # P752305
16	2	BFR66	HUB CAP
17	10	YBSD16005	BOLT, STUD, 1/2-20UNF X 1-7/8 X 3/8, G5, ZC
18	2	YNSL24010	NUT, SLOT, 3/4-16, NA, G2, NF
19	10	YNWL16005	NUT, WHEEL, 1/2-20, NA, G5, ZC
20	2	YPCT05010	COTTER PIN, 5/32 X 1-1/2
21	2	YWFL24010	WASHER, FLAT, SAE 3/4, PLAIN
22	2	17G145	TAPERED ROLLER BEARING, 1.249 BORE
23	2	BFR57	SEAL
24	1	BFR312	ASSY, COMPLETE FORK RH
*	1	BFR316	ASSY, COMPLETE FORK LH
25	2	BFR60	HUB, WITH RACES AND STUDS
26	2	BFR75	HUB ASSY, GROUND WHEEL
27	2	G89	ZERK, 1/4"-28 STRAIGHT

*** MEANS NOT SHOWN**

FIGURE 11 HYDRAULICS

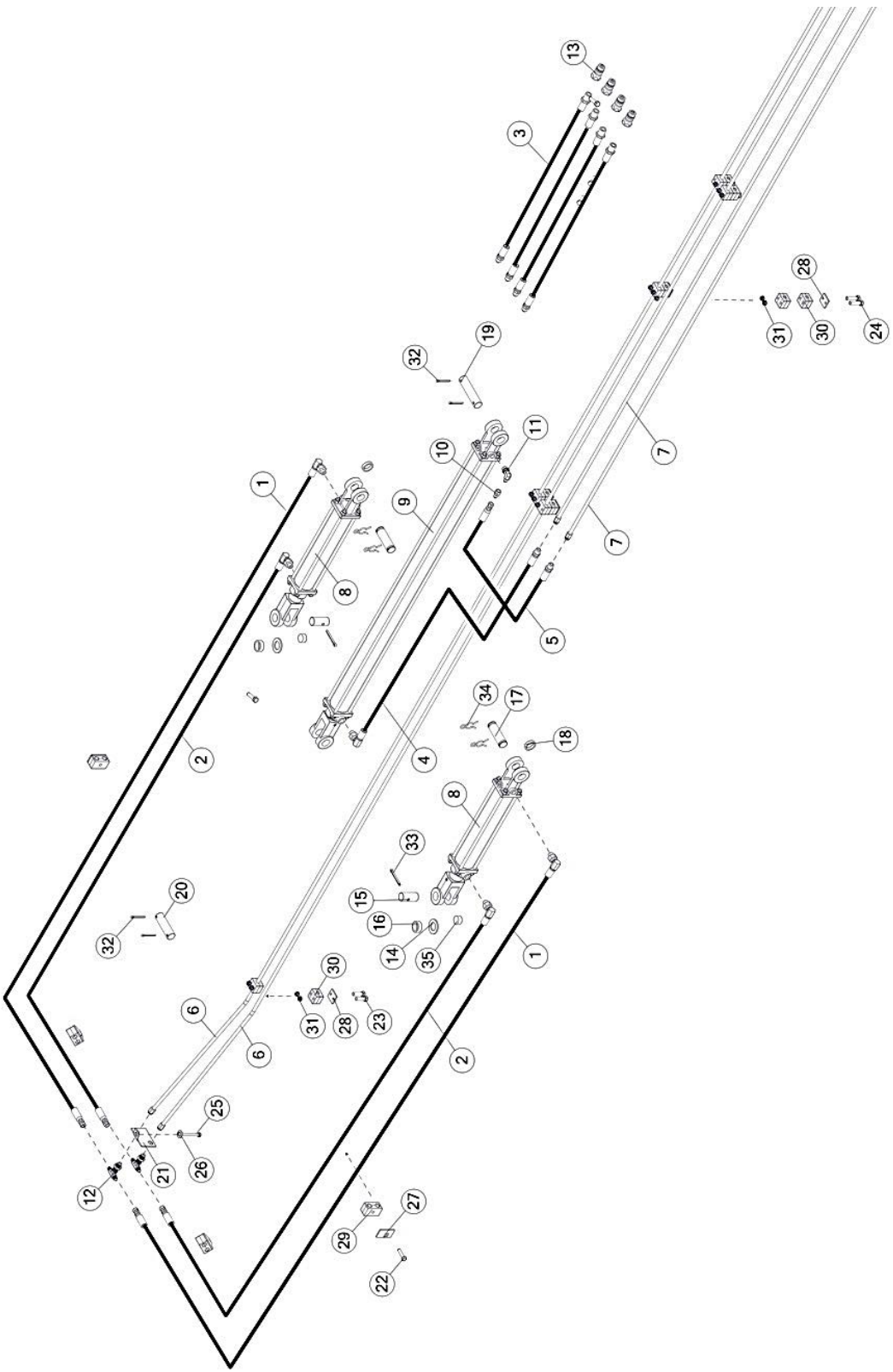


FIGURE 11

HYDRAULICS

<u>ITEM</u>	<u>QTY</u>	<u>PART #</u>	<u>DESCRIPTION</u>
1	2	67077	HSASSM, HYD, 4 X 108, 6ORB, 4JIC
2	2	67420	HSASSM, HYD, 4 X 120, 6ORB, 4JIC
3	4	70700	HSASSM, HYD, 4 X 136, 4JIC, 8ORB
4	1	70706	HSASSM, HYD, 4 X 33, 4JIC, 6ORB
5	1	70710	HSASSM, HYD, 4 X 30, 4JIC, 4JIC SWIVEL
6	2	71333	TUBE, RND, HYD, 0.375" X 0.049" X 0.277" X 237.85"
7	2	70613	TUBE, RND, HYD, 0.25 X .13 X130
8	2	66933	2.0" X 10" HYDRAULIC CYLINDER
9	1	66935	2.0" X 40" HYDRAULIC CYLINDER
10	1	58108	IN-LINE CONNECTOR, ORIFICE, 4-XHX7-S .031
11	1	71281	MALE 37° / ORB
12	2	71585	BULKHEAD TEE FITTING, 04X04X06
13	4	67148	FTG, ST, 8ORB, QUICK COUPLER TIP
14	2	16SV136	WASH, FLAT, 1.75 X 1.02 X 0.13, ZC
15	2	BFR517	CYLINDER PIN BACK
16	2	K106	SPACER
17	2	T143	HYDRAULIC CYLINDER PIN
18	2	X94	1ST BEATER SPACER
19	1	BFR396	CYLINDER PIN
20	1	BFR634	CYLINDER PIN
21	1	66939	BRKT, MOUNT, HYD BULKHEAD T
22	4	56568	CLAMP BOLT
23	4	YBHH08045	BOLT, 1/4 X 2 GR 5
24	12	YBHH08085	BOLT, 1/4 X 3 GR 5
25	1	YBHH16010	BOLT, 1/2 X 1 GR 5
26	1	YWLO16005	WASHER, LOCK, 1/2
27	4	56563	CLAMP TOP PLATE
28	8	CHM273	CLAMP TOP PLATE
29	4	67354	HOSE CLAMP, DOUBLE, 1/4"
30	8	CHM280	HOSE CLAMP, 3/8"
31	14	YNFG08010	HEX NUT, FLANGE, NYLOCK, 1/4-20, GR F, ZINC
32	4	YPCT05010	COTTER PIN 5/32" X 1-1/2"
33	2	YPCT07005	COTTER PIN, 7/32" X 2"
34	4	YPHR02020	HAIR PIN, #23-10
35	2	BFR506	NYLON WEAR BLOCK

FIGURE 12
HYDRAULIC LIFT CYLINDER

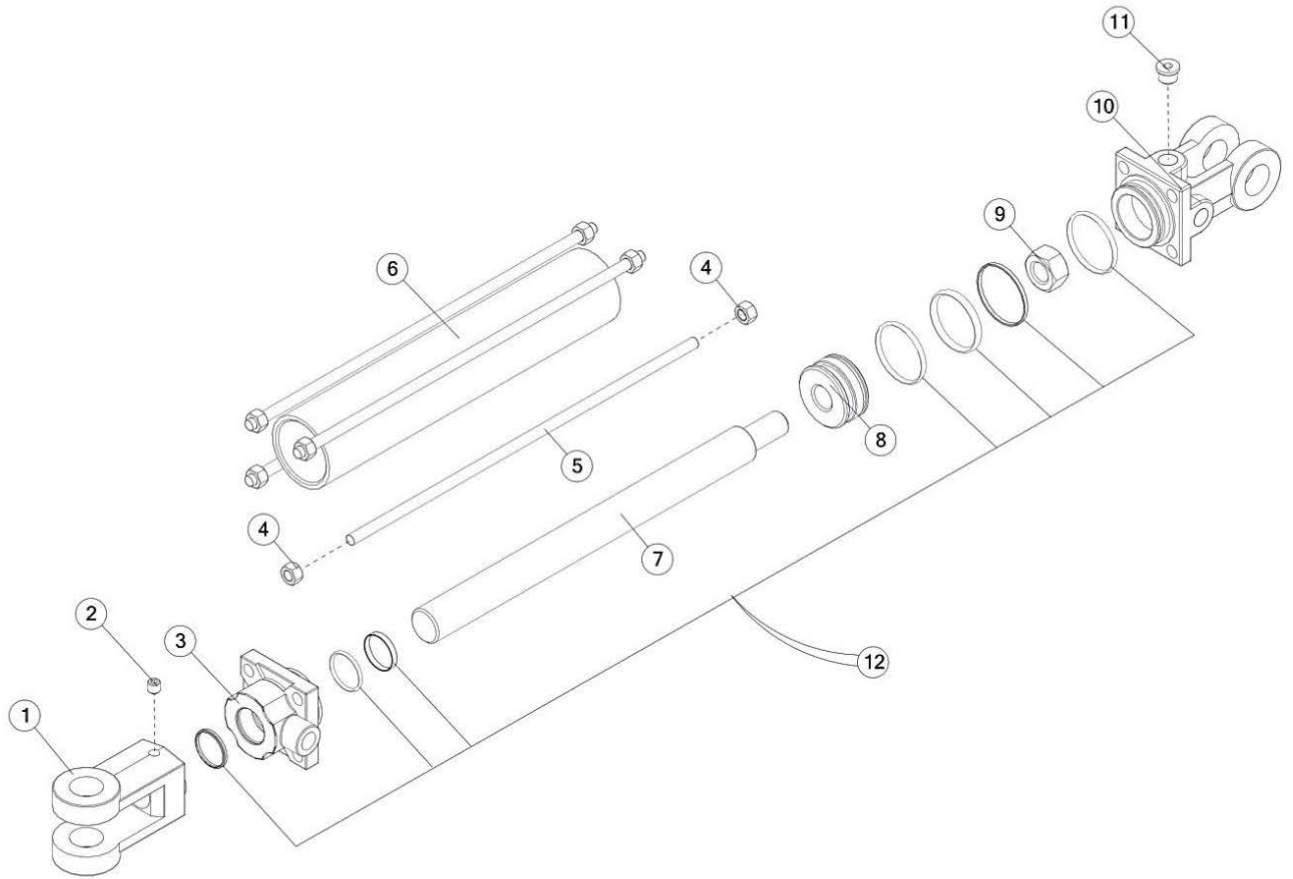


FIGURE 12

HYDRAULIC LIFT CYLINDER

<u>ITEM</u>	<u>QTY</u>	<u>PART #</u>	<u>DESCRIPTION</u>
1	1	23N150A	ROD CLEVIS
2	1	YSSO12015	SET SCREW, SOCKET, 3/8-24 X 3/8 ROD CAP
3	1	66934	FOR 2" CYLINDERS
4	8	YNHX12006	HEX NUT, 3/8-24
5	4	16SV170	TIE ROD
6	1	16SV169	CYLINDER TUBE
7	1	16SV168A	CYLINDER ROD FOR 2" X 10" CYLINDER
8	1	56180	PISTON FOR 2" CYLINDER
9	1	23N148	PISTON NUT
10	1	66932	CLEVIS CAP FOR 2" CYLINDER HOLLOW HEX
11	1	SD270	PLUG 6
12	1	56187	SEAL KIT FOR 2" CYLINDER
*	1	66933	2.0" X 10" HYDRAULIC CYLINDER (3000 PSI)

*** MEANS NOT SHOWN**

FIGURE 13
HYDRAULIC OPENING CYLINDER

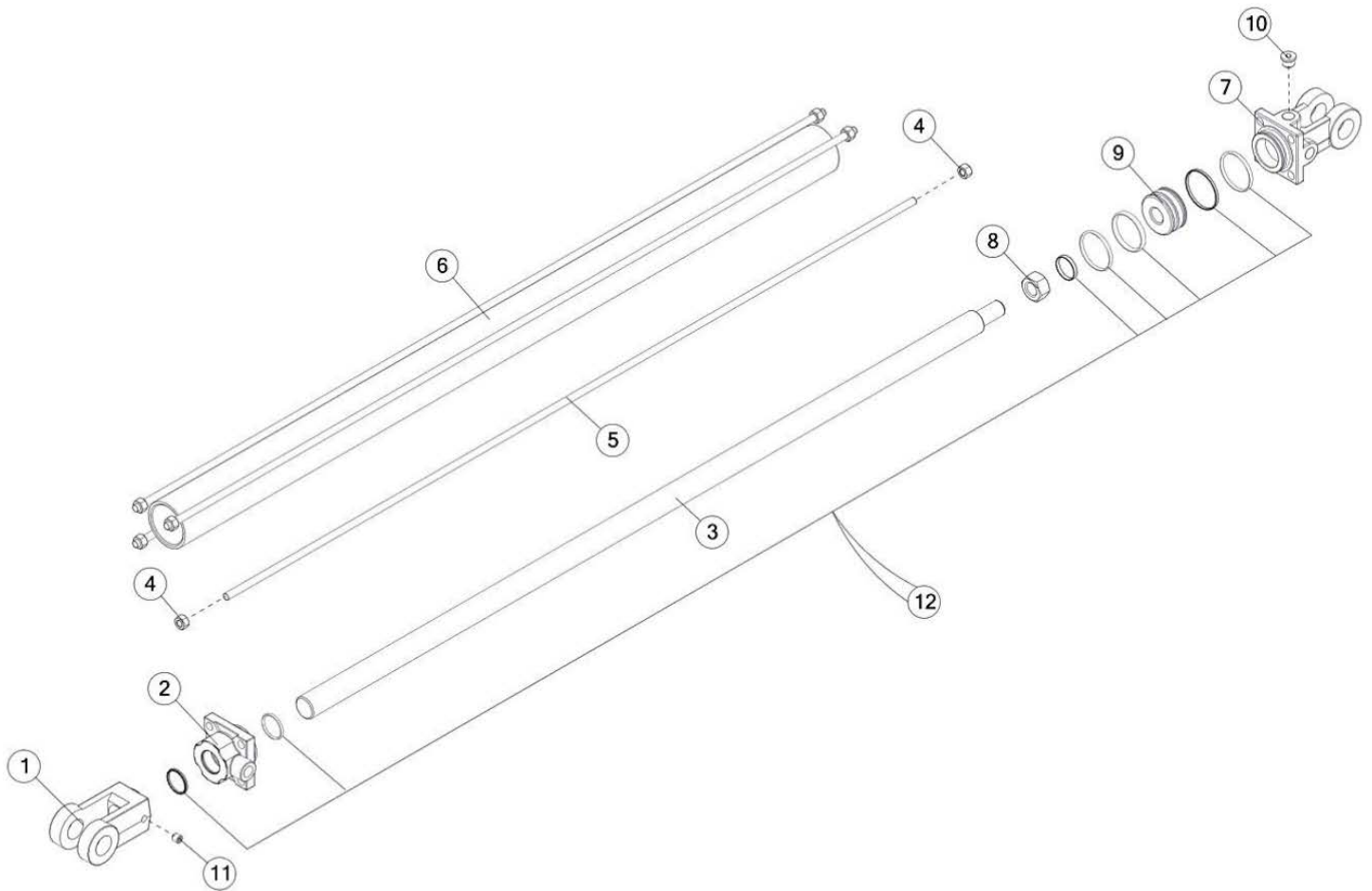


FIGURE 13
HYDRAULIC OPENING CYLINDER

<u>ITEM</u>	<u>QTY</u>	<u>PART #</u>	<u>DESCRIPTION</u>
1	1	23N150A	ROD CLEVIS
2	1	56174	ROD CAP FOR 2" CYLINDERS
3	1	BFR654	ROD
4	8	YNHX10005	HEX NUT, 5/16 GR 2
5	4	BFR656	TIE ROD
6	1	BFR655	CYLINDER TUBE
7	1	23N142A	CLEVIS CAP FOR 2" CYLINDER
8	1	23N148	PISTON NUT
9	1	56180	PISTON FOR 2" CYLINDER
10	1	SD270	HOLLOW HEX PLUG 6
11	1	YSSO12015	SET SCREW, SOCKET, 3/8-24 X 3/8
12	1	56187	SEAL KIT FOR 2" CYLINDER
*	1	66935	2.0" X 40" HYDRAULIC CYLINDER (3000 PSI)

*** MEANS NOT SHOWN**

FIGURE 14 **OPTIONAL 15" GAUGE WHEEL**

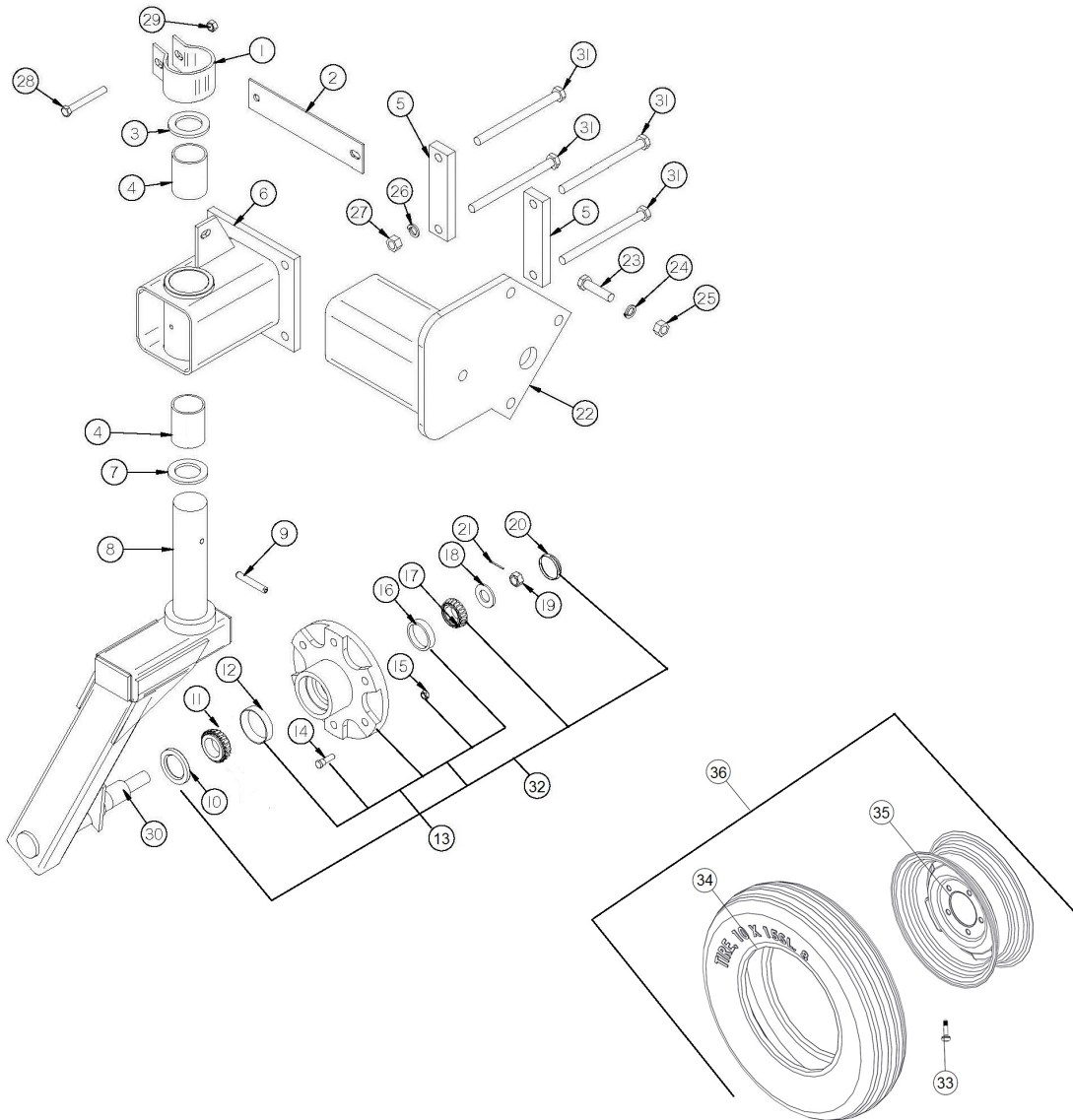


FIGURE 14

OPTIONAL 15" GAUGE WHEEL

<u>ITEM</u>	<u>QTY</u>	<u>PART #</u>	<u>DESCRIPTION</u>
1	1	BFR311	BRAKE COLLAR
2	1	BFR310	BRAKE PAD
3	1	BFR309	GAUGE WHEEL WASHER
4	2	RG26	BUSHING, STEEL, 2.015" ID X 2.25" OD X 2.00" LONG
5	2	BFR725	MOUNTING STRAP
6	1	BFR643	GAUGE WHEEL MOUNT
7	1	RG24	BRONZE WASHER
8	1	BFR316	COMPLETE FORK, LH
*	1	BFR312	COMPLETE FORK, RH
9	1	YPEX10025	EXPANSION PIN, 5/16" X 2-3/4"
10	1	BFR57	SEAL
11	1	BFR58	INNER BEARING
12	1	BFR59	INNER RACE
13	1	BFR60	HUB
14	6	YBSD16005	STUD BOLT, 1/2"-20 UNF X 1-7/8" (3/8" SHOULDER)
15	6	YNWL16005	WHEEL NUT, 1/2"-20 UNF
16	1	BFR61	OUTER RACE
17	1	BFR62	OUTER BEARING
18	1	YWFL24010	WASHER, FLAT, 3/4" USS
19	1	YNSL24010	HEX NUT, SLOTTED, 3/4"-16
20	1	BFR66	HUB CAP
21	1	YPCT05010	COTTER PIN, 5/32" X 1-1/2"
22	1	BFR644	GAUGE WHEEL EXTENSION, LH
*	1	BFR645	GAUGE WHEEL EXTENSION, RH
23	1	YBHH20025	BOLT, 5/8" X 2" GR. 5
24	4	YWLO20005	WASHER, LOCK, 5/8"
25	4	YNHX20005	HEX NUT, 5/8"-11 PLATED
26	4	YWLO16005	WASHER, LOCK, 1/2"
27	4	YNHX16005	HEX NUT, 1/2"
28	4	YBHH12115	BOLT, HEX, FT, 3/8-16 X 3, G2, ZC
29	1	YNHX12005	HEX NUT, 3/8"-16
30	1	BFR56	SPINDLE
31	1	YBHH16175	BOLT, 1/2" X 6-1/2" GR. 5
32	1	BFR75	COMPLETE HUB
33	1	72436	VALVE STEM, 1-1/2" RUBBER
34	1	BFR128	TIRE 670 X 15
35	1	BFR67	WHEEL, 5" X 15"
36	1	32006	6.70-15 TIRE ON 5" X 15" WHEEL

* MEANS NOT SHOWN

FIGURE 15
OPTIONAL 2 WHEEL EXTENSION

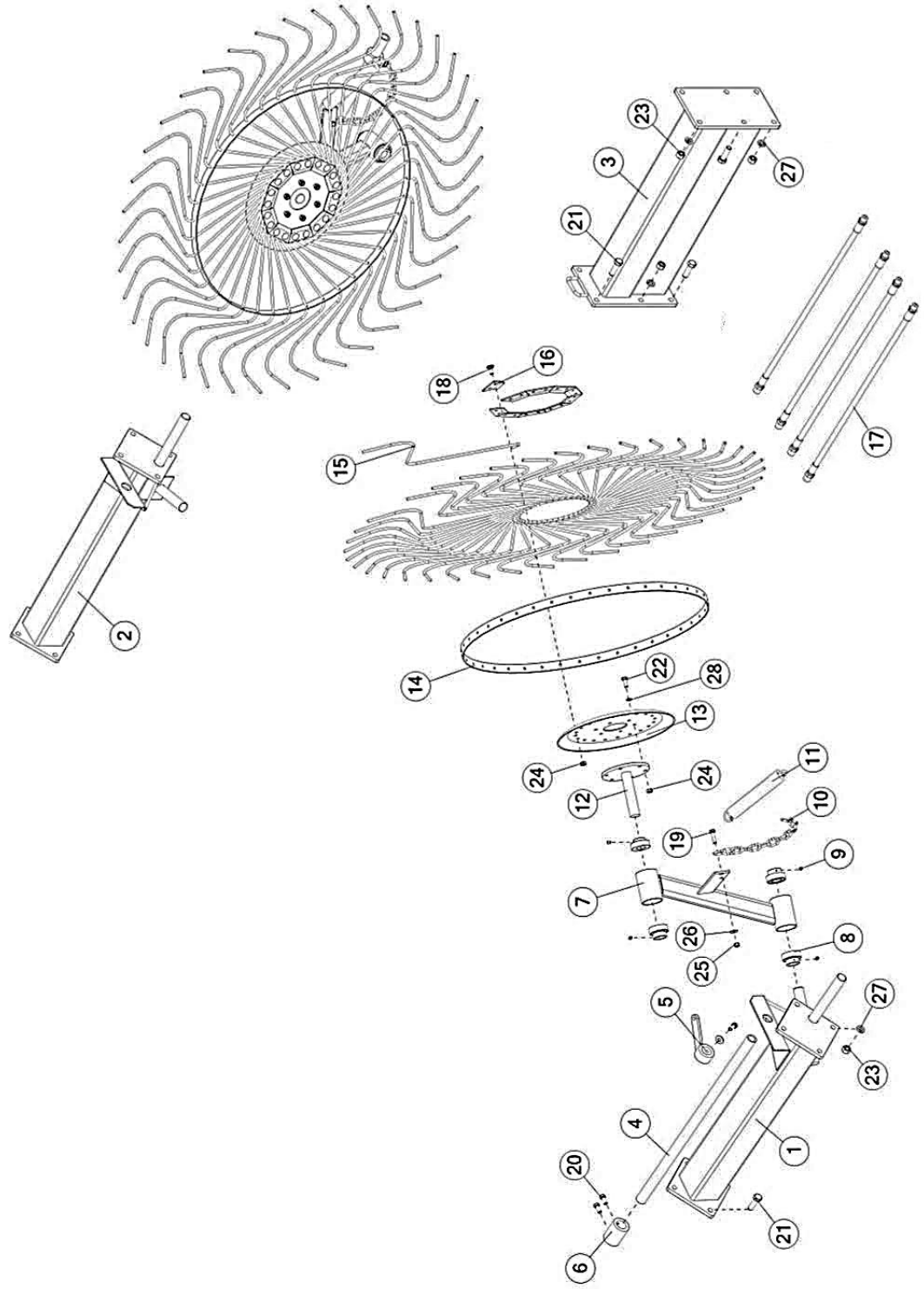


FIGURE 15

OPTIONAL 2 WHEEL EXTENSION

<u>ITEM</u>	<u>QTY</u>	<u>PART #</u>	<u>DESCRIPTION</u>
1	1	BFR733	RAKE BEAM EXTENSION, RH
2	1	BFR734	RAKE BEAM EXTENSION, LH
3	1	67429	POLE EXTENSION
4	2	BFR536	LIFTING PIPE CONNECTOR
5	1	BFR431	SPRING CLAMP, LH
*	1	BFR430	SPRING CLAMP, RH
6	2	BFR537	LIFTING PIPE CONNECTOR
7	1	BFR490	ASSM, RAKE ARM RH
*	1	BFR489	ASSM, RAKE ARM LH
8	8	BFR525	FLAT BEARING 1-1/4", W/ LOCK COLLAR ASSEMBLY
9	8	YSKP10020	SET SCREW, SOCKET,
10	2	BFR140	RAKE ARM ADJUSTMENT CHAIN
11	2	BFR138	SPRING
12	2	BFR657	ASSM, RAKE WHEEL HUB
13	2	T179	RAKE WHEEL CENTER
14	2	T177	RAKE WHEEL OUTER RING
15	80	T176	RAKE WHEEL TOOTH
16	20	T178	RAKE TOOTH CLIP
17	4	72142	HYD HOSE ASSY, 4 X 33, 6 JIC, 6 JIC
18	40	YBCR76005	CARR. BOLT, 10MM X 25MM
19	2	YBHH12025	BOLT, 3/8-16 X 1-1/2 GR 5
20	4	YBHH14005	BOLT, 7/16 X 1 GR 5
21	28	YBHH20025	BOLT, 5/8 X 2 GR 5
22	12	YBHH12035	BOLT, 3/8 X 1-1/4 GR5
23	28	YNHX20010	HEX NUT, 5/8-18 GR 8
24	40	YNHX76015	HEX NUT, M10-1.5
25	2	YNTL12005	HEX NUT, TOP LOCK, 3/8-16
26	2	YWFL12005	WASHER, FLAT, 3/8 USS
27	28	YWLO20005	WASHER, LOCK, 5/8
28	12	YWLO12005	WASHER, LOCK, 3/8
29	12	YNHX12005	HEX NUT, 3/8 - 16 GR 5
*	4	YWLO76015	HS ASSM, HYD, 4X33, 6JIC, 6JIC

*** MEANS NOT SHOWN**

FIGURE 16
OPTIONAL 2 WHEEL CENTER KICKER WHEEL

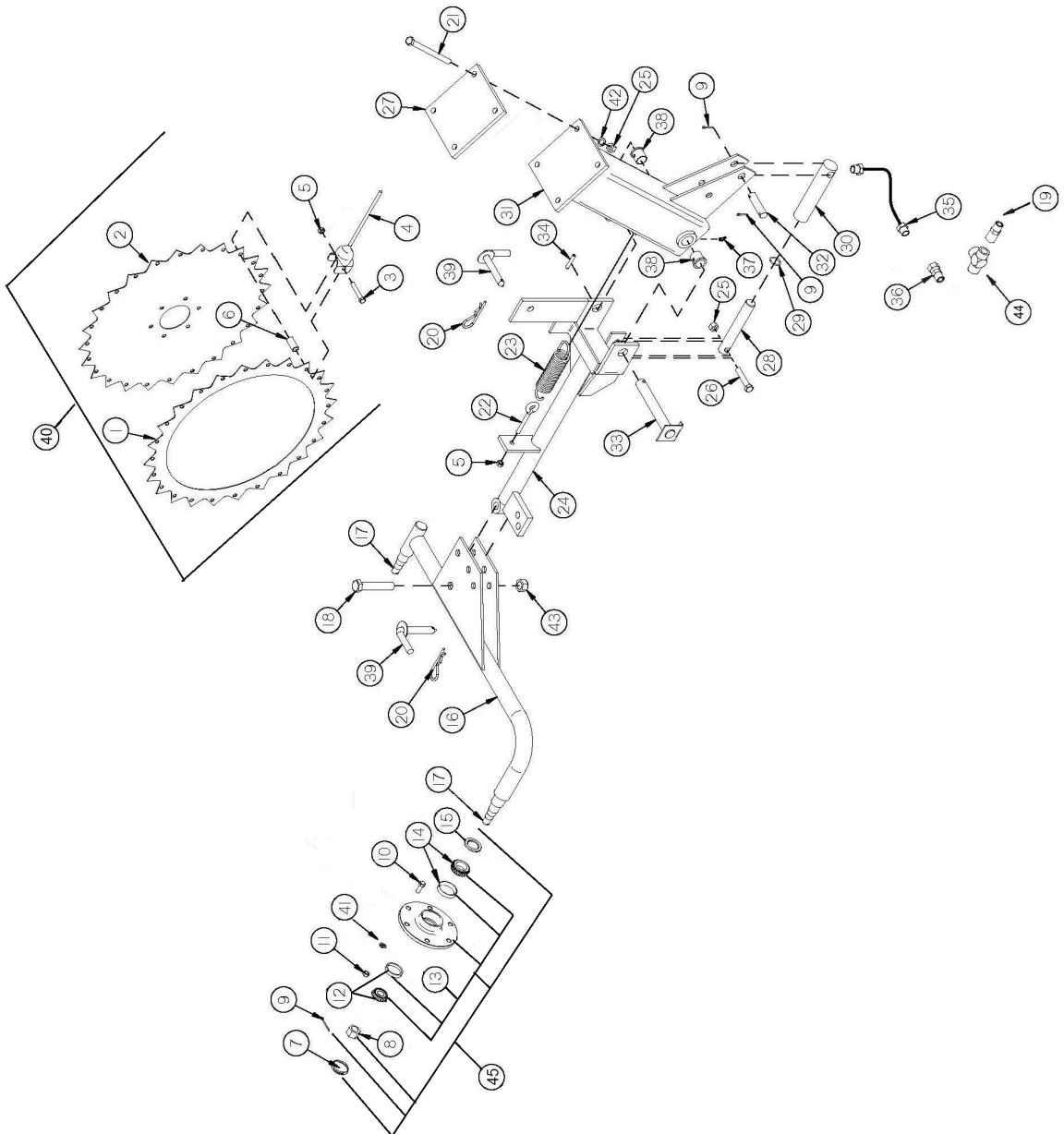


FIGURE 16

OPTIONAL 2 WHEEL CENTER KICKER WHEEL

<u>ITEM</u>	<u>QTY</u>	<u>PART #</u>	<u>DESCRIPTION</u>
1	1	BFR369	RAKE WHEEL RING
2	1	BFR370	RAKE WHEEL CENTER
3	24	YBHH12100	BOLT, HEX, 3/8-16 X 2-1/4, G5, ZC
4	24	T82	RAKE WHEEL TOOTH
5	24	YNTL12005	HEX NUT, TOP LOCK, 3/8"-16
6	24	BFR371	RAKE WHEEL SPACER
7	2	T173	HUB CAP
8	2	YNSL24010	HEX NUT, SLOTTED, 3/4"-16
9	3	YPCT05010	COTTER PIN, 5/32" X 1-1/2"
10	12	YBHH76005	BOLT, 10MM X 25MM
11	12	YNHX76015	HEX NUT, 10MM
12	2	600014	OUTER BEARING RACE
13	2	BFR32	RAKE WHEEL HUB
14	2	600012	INNER BEARING RACE
15	2	T163	SEAL
16	1	BFR511	CENTER KICKER WHEEL ARM
17	2	BFR36	SPINDLE
18	1	YBHH24050	BOLT, 3/4" X 3" GR. 5
19	1	67148	FTG, ST, 8ORB, QUICK COUPLER TIP
20	2	YPHR02010	HAIR PIN, #21-07
21	4	YBHH16175	BOLT, 1/2" X 6-1/2" GR. 5
22	1	YBTE12025	TURNUED EYE BOLT, 3/8" X 3" FULL THREAD
23	1	BR62	SPRING
24	1	BFR512	CENTER KICKER WHEEL PIVOT
25	5	YNTL16005	HEX NUT, TOP LOCK, 1/2"-13
26	1	YBHH16080	BOLT, 1/2" X 2-1/2" GR. 5
27	1	BFR513	KICKER WHEEL MOUNT
28	1	BFR114	PISTON
29	1	BFR115	O-RING
30	1	BFR116	HYDRAULIC CYLINDER
31	1	BFR514	KICKER WHEEL OFFSET
32	1	BFR515	CYLINDER PIN
33	1	BFR379	AXLE SHAFT
34	1	YPEX10015	EXPANSION PIN, 5/16" X 1-3/4"
35	1	BFR121	HOSE
36	1	BFR122	3/8" MALE ADAPTER UNION
37	1	RG21	GREASE ZERK, 45 DEGREE
38	2	BFR27	BUSHING
39	2	BFR197	LOCKING PIN
40	1	BFR748	COMPLETE WHEEL ASSEMBLY
41	12	YWLO76015	WASHER, LOCK, M10
42	4	YWLO12005	WASHER, LOCK, 3/8"
43	1	YNTL24005	WASHER, LOCK, 1/2"
44	1	70212	FTG, T, 3/4-16 ORB, 3/4-16 ORB, STL
45	1	BFR76	COMPLETE HUB

FIGURE 17
OPTIONAL 3 WHEEL CENTER KICKER WHEEL

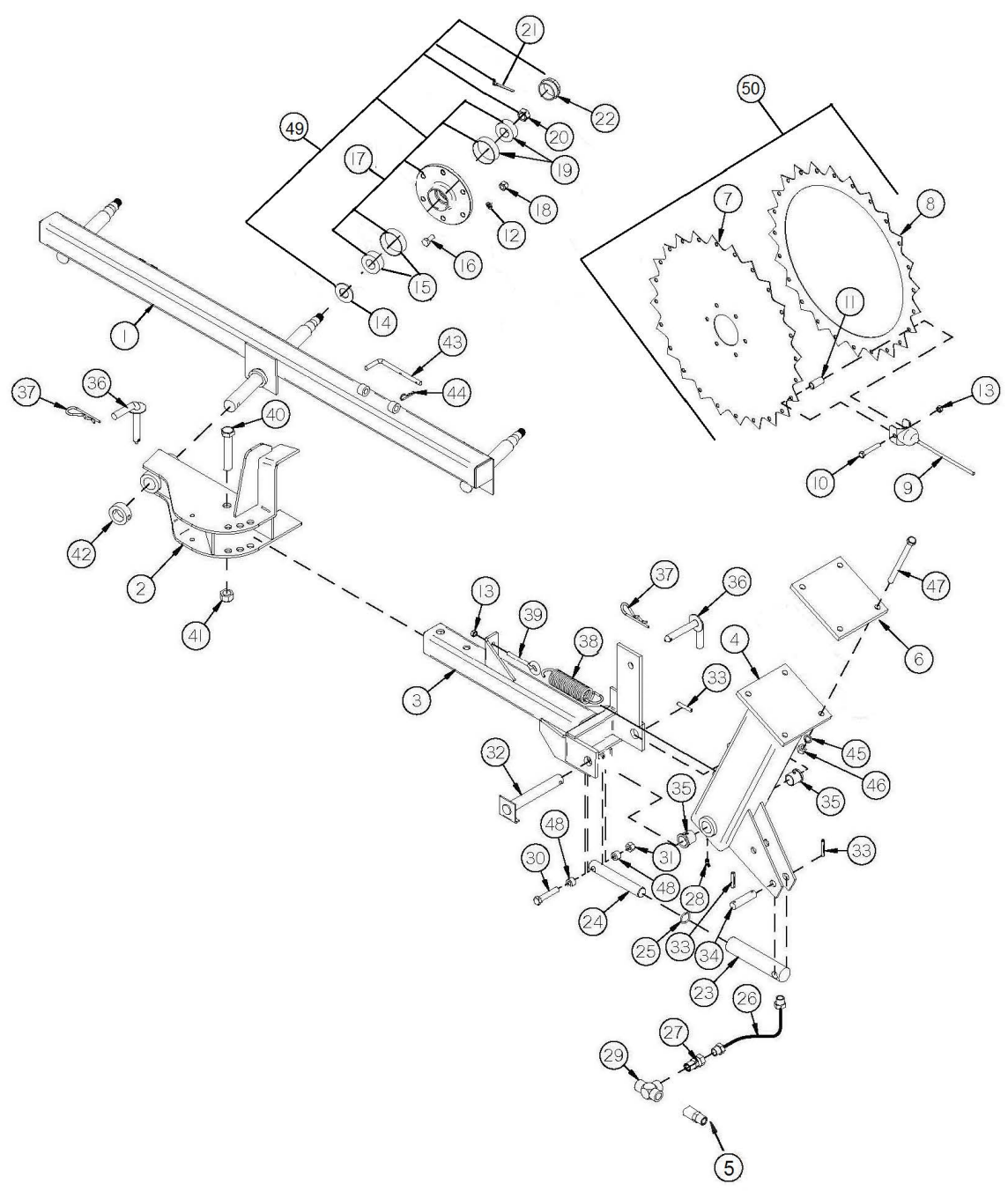


FIGURE 17

OPTIONAL 3 WHEEL CENTER KICKER WHEEL

<u>ITEM</u>	<u>QTY</u>	<u>PART #</u>	<u>DESCRIPTION</u>
1	1	BFR717	KICKER RAKE BEAM
2	1	BFR718	PIVOT
3	1	BFR719	SQUARE RAKE ARM
4	1	BFR514	KICKER WHEEL OFFSET
5	1	67148	FTG, ST, 8ORB, QUICK COUPLER TIP
6	1	BFR513	KICKER WHEEL MOUNT
7	1	BFR370	RAKE WHEEL CENTER
8	1	BFR369	RAKE WHEEL RING
9	24	T82	RAKE WHEEL TOOTH
10	24	YBHH12100	BOLT, 3/8" X 2-1/4" GR. 5
11	24	BFR371	RAKE WHEEL SPACER
12	18	YWLO76015	WASHER, LOCK, M10
13	25	YNL12005	HEX NUT, TOP LOCK, 3/8"-16
14	3	T163	SEAL
15	3	600012	INNER BEARING RACE
16	36	YBHH76005	BOLT, 10MM X 25MM
17	3	BFR32	RAKE WHEEL HUB
18	36	YNHX76015	HEX NUT, 10MM
19	3	600014	OUTER BEARING RACE
20	3	YNSL24010	HEX NUT, SLOTTED, 3/4"-16
21	3	YPCT05010	COTTER PIN, 5/32" X 1-1/2"
22	3	T173	HUB CAP
23	1	BFR116	HYDRAULIC CYLINDER
24	1	BFR114	PISTON
25	1	BFR115	O-RING

FIGURE 17
OPTIONAL 3 WHEEL CENTER KICKER WHEEL

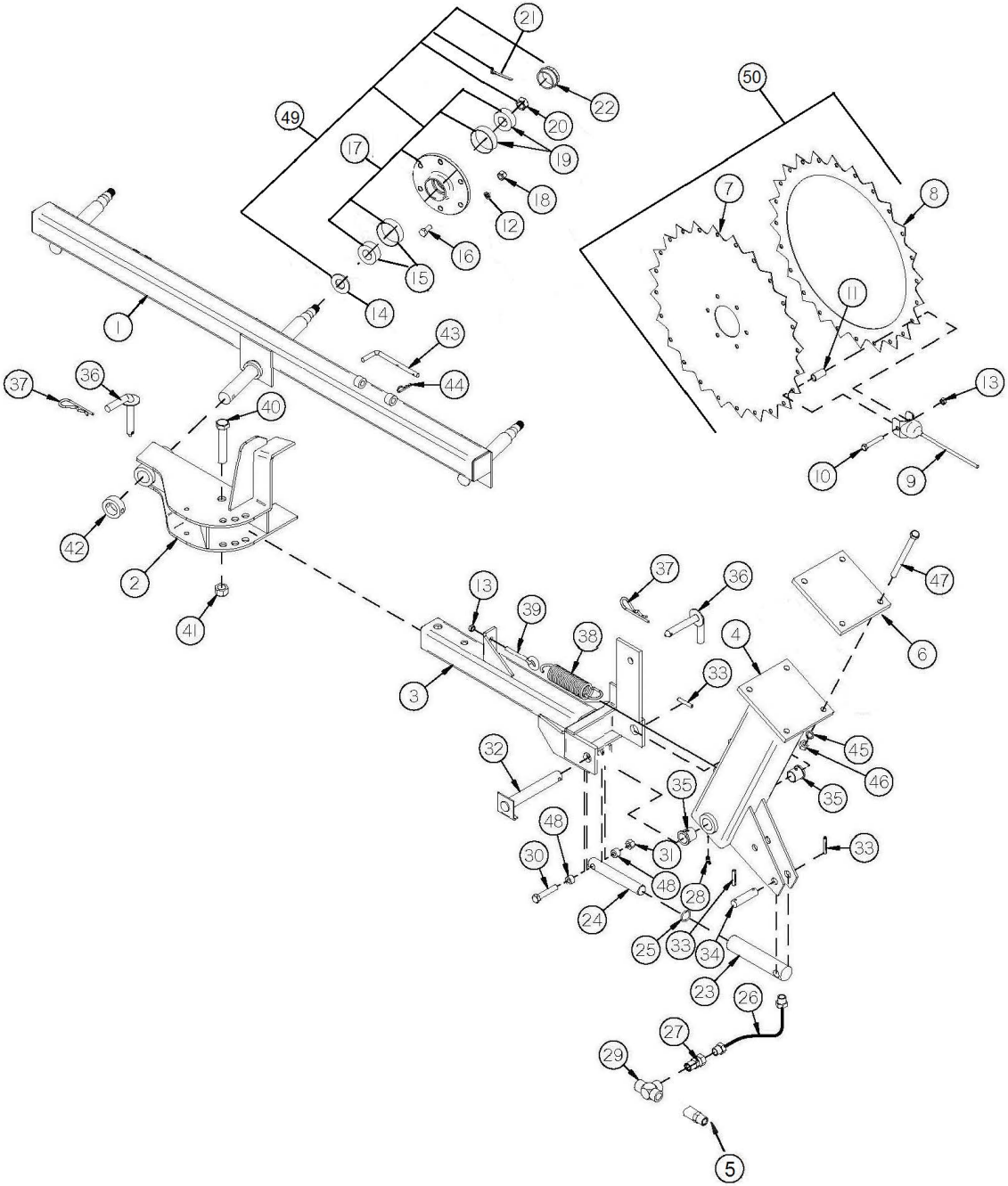


FIGURE 17

OPTIONAL 3 WHEEL CENTER KICKER WHEEL

<u>ITEM</u>	<u>QTY</u>	<u>PART #</u>	<u>DESCRIPTION</u>
26	1	BFR121	HOSE
27	1	BFR122	3/8" MALE ADAPTER UNION
28	1	RG21	GREASE ZERK, 45 DEGREE
29	1	70212	FTG, T, 3/4-16 ORB, 3/4-16 ORB, STL
30	1	YBHH16115	BOLT, 1/2" X 3-1/2" GR. 5
31	1	YNTL16005	HEX NUT, TOP LOCK, 1/2"-13
32	3	BFR379	AXLE SHAFT
33	1	YPEX10015	EXPANSION PIN, 5/16" X 1-3/4"
34	2	BFR515	CYLINDER PIN
35	2	BFR27	BUSHING
36	2	BFR197	LOCKING PIN
37	1	YPHR02010	HAIR PIN, #21-07
38	1	BR62	SPRING
39	1	YBTE12025	TURNTD EYE BOLT, 3/8" X 3" FULL THREAD
40	1	YBHH24070	BOLT, 3/4-10" X 4" GR. 5
41	1	YNTL24005	HEX NUT, TOP LOCK, 3/4"-10
42	1	BFR720	PIVOT LOCK COLLAR
43	1	BFR721	BEAM LOCK PIN
44	4	YPHR02005	HAIR PIN, #21-05 (1-7/8" LONG, 3/8-7/16"
45	4	YWLO16005	SHAFT) WASHER, LOCK, 1/2"
46	4	YNTL16005	HEX NUT, TOP LOCK, 1/2"-13
47	2	YBHH16175	BOLT, 1/2" X 6-1/2" GR. 5
48	1	BFR722	LIFT CYLINDER SPACER
49	1	BFR76	RAKE WHEEL HUB WITH BEARINGS
50	1	BFR748	COMPLETE WHEEL FOR 12 & 14

FIGURE 18
OPTIONAL WIND GUARD

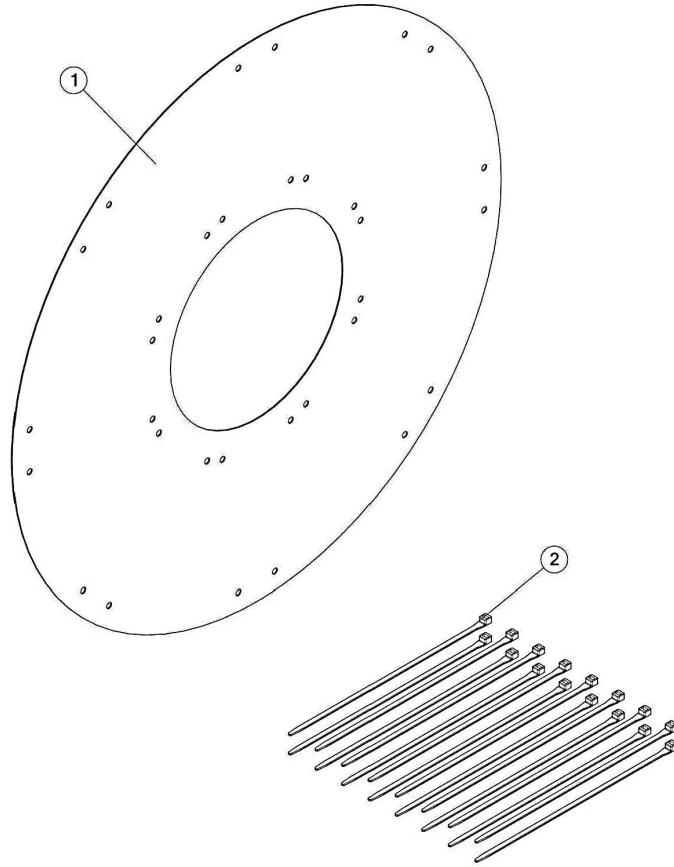


FIGURE 18
OPTIONAL WIND GUARD

<u>ITEM</u>	<u>QTY</u>	<u>PART #</u>	<u>DESCRIPTION</u>
1	1	59040	POLY WIND GUARD, FOR 55" RAKE WHEEL
2	16	57626	15 INCH 120# BLACK CABLE TIE

FIGURE 19 OPTIONAL RAKE LIGHTS

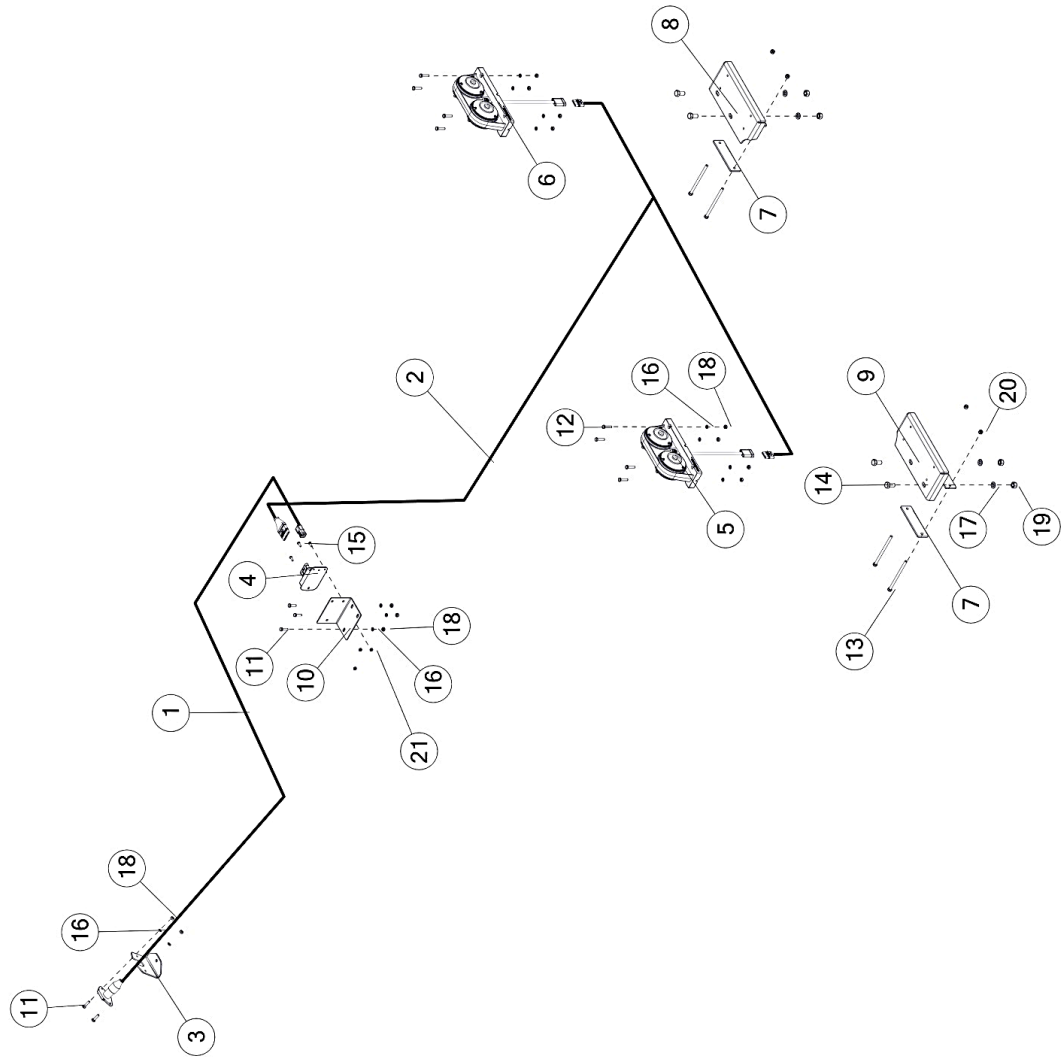


FIGURE 19

OPTIONAL RAKE LIGHTS

<u>ITEM</u>	<u>QTY</u>	<u>PART #</u>	<u>DESCRIPTION</u>
1	1	77858	LIGHT HARNESS
2	1	77847	ELEC HARNESS, LIGHT REAR
3	1	BFR659	LIGHT BRACKET
4	1	69908	MODULE CONTROL BLINKER
5	1	77923	TAIL LIGHT ASSY, LEFT
6	1	77924	TAIL LIGHT ASSY, RIGHT
7	2	77977	LIGHT BRACKET, PLATE
8	1	77844	LIGHT BRACKET, RIGHT
9	1	77846	LIGHT BRACKET, LEFT
10	1	78369	MODULE BRACKET
11	5	YBHH08005	BOLT HEX 1/4 X 1 G2
12	8	YBHH08030	BOLT HEX 1/4 X 1-1/4 G2
13	4	YBHH10133	BOLT HEX 5/16 X 5-1/2 G5
14	4	YBHH16010	BOLT HEX 1/2 X 1 G5
15	3	YSPN64005	SCREW PAN HEAD #10-24 X 5/8
16	5	YWLO08005	WASHER LOCK, 1/4
17	4	YWLO16005	WASHER LOCK, 1/2
18	5	YNHX08005	NUT HEX, 1/4 G5
19	4	YNHX16005	NUT HEX, 1/2 G2
20	4	YNNY10005	NUT HEX, 5/16 G2
21	3	YNNY64005	NUT HEX, #10-24 G2
*	1	TLCP	TRANSPORT LIGHT CORD (OPTIONAL)

*** MEANS NOT SHOWN**

FIGURE 20
TIRE & WHEEL OPTIONAL

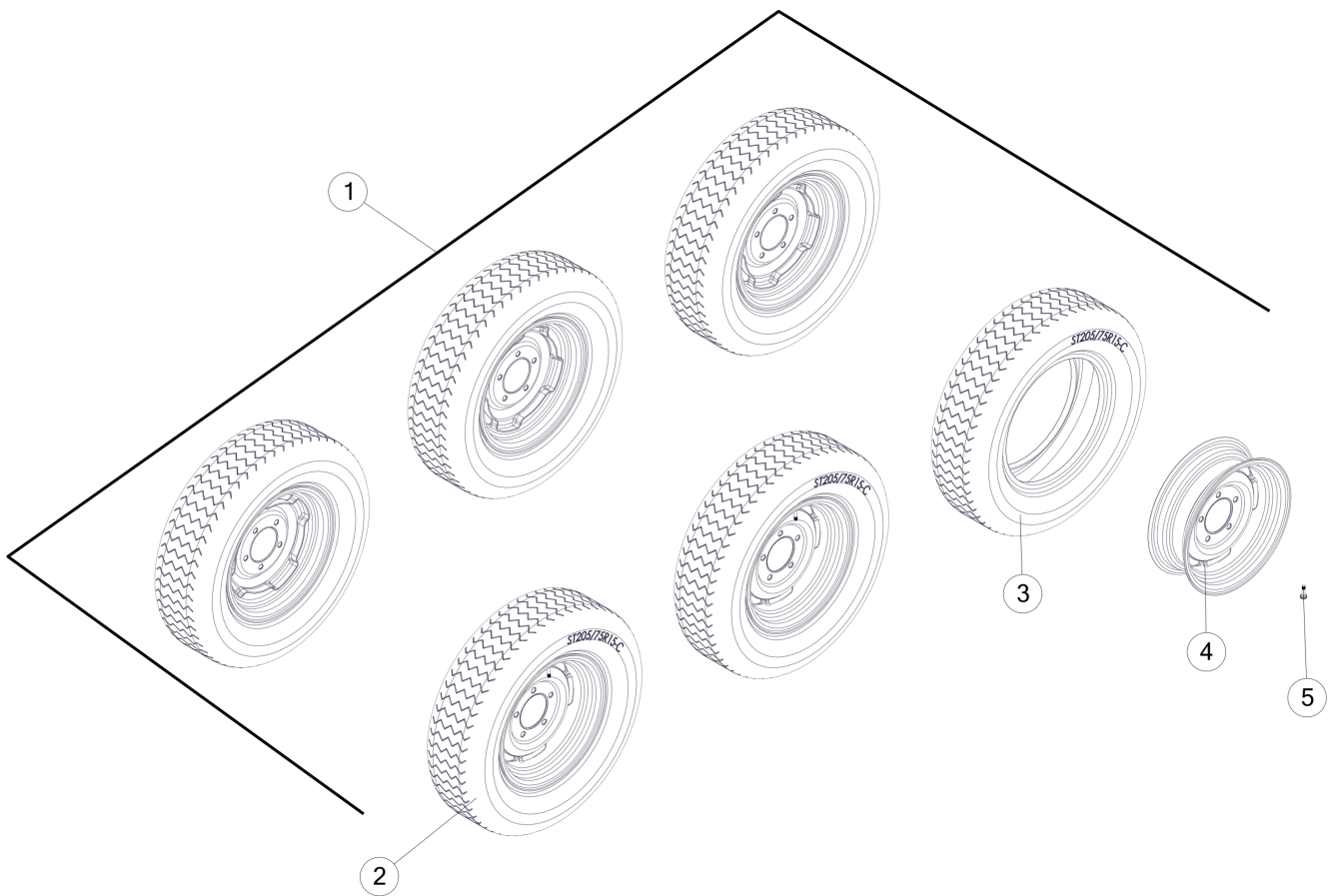


FIGURE 20
TIRE & WHEEL OPTIONAL

<u>ITEM</u>	<u>QTY</u>	<u>PART #</u>	<u>DESCRIPTION</u>
1	6	TWP205R6	(6) ST205/75R15-C TIRE OPTION
2	6	75697	205/75R15 TIRE ON AG WHEEL
3	6	75696	ST205/75R15-C RADIAL TIRE
4	6	BFR67	WHEEL 5" X 15" 5 BOLT CREAM COLOR
5	6	72436	VALVE STEM, 1-1/2" RUBBER

FIGURE 21
WRAP AROUND OPTIONAL

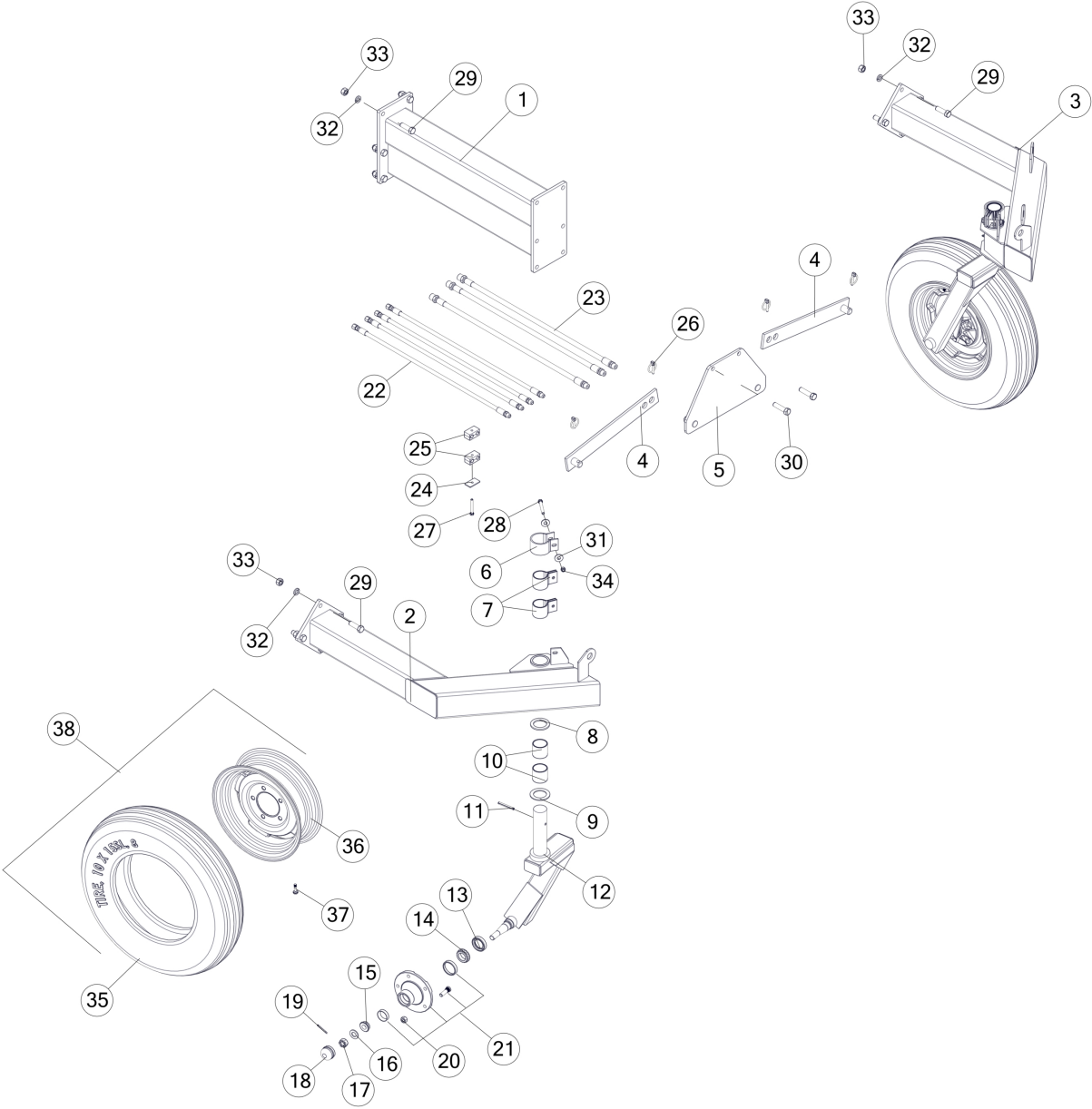
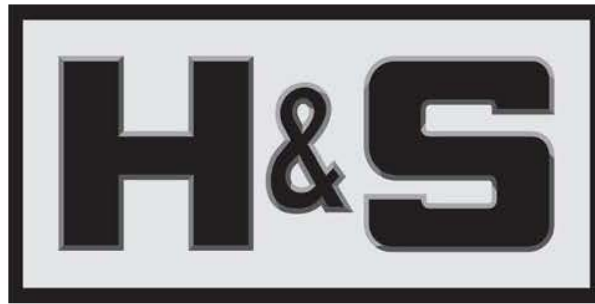


FIGURE 21

WRAP AROUND KIT OPTIONAL

<u>ITEM</u>	<u>QTY</u>	<u>PART #</u>	<u>DESCRIPTION</u>
1	1	67429	POLE EXTENSION
2	1	BFR726	ASSY, RIGHT EXTENSION
3	1	BFR727	ASSY, LEFT EXTENSION
4	2	BFR597	ASSY, SAFETY BAR
5	1	BFR731	ASSY, TRANSPORT MOUNT
6	2	BFR311	BRAKE COLLAR
7	4	BFR310	BRAKE PAD
8	2	BFR309	GAUGE WHEEL WASHER
9	2	RG24	WASHER, THRUST, BRONZE, 2.00" ID X 3.00 OD X .125" LONG
10	4	RG26	BUSHING, STEEL, 2.015" ID X 2.25" OD X 2.00" LONG
11	2	YPEX10025	EXPANSION PIN, 5/16" X 2-3/4"
12	1	BFR312	ASSY, COMPLETE FORK RH
*	1	BFR316	ASSY, COMPLETE FORK LH
13	2	BFR57	GREASE SEAL
14	2	17G145	TAPERED ROLLER BEARING, 1.249 BORE
15	2	BFR62	OUTER BEARING
16	2	YWFL24010	WASHER, FLAT, SAE 3/4, PLAIN
17	2	YNSL24010	NUT, SLOT, 3/4-16, NA, G2, NF
18	2	BFR66	HUB CAP
19	2	YPCT05010	COTTER PIN, 5/32 X 1-1/2
20	10	YNWL16005	NUT, WHEEL, 1/2-20, NA, G5, ZC
21	2	BFR60	HUB, WITH RACES AND STUDS
22	4	72142	HYD HOSE ASSY, 4 X 33, 6 JIC, 6 JIC
23	3	BFR635	HOSE, 3/8" X 33" 1/2"FP & 1/2"MP
24	1	56563 67354	CLAMP TOP PLATE
25	2	YPLY08011	HOSE CLAMP, DOUBLE, 1/4"
26	4	YBHH10080	LYNCH PIN, 1/4 X 1-9/16
27	1	YBHH12115	BOLT, HEX, 5/16-18 X 2-1/2, G5, ZC
28	2	YBHH20025	BOLT, HEX, FT, 3/8-16 X 3, G2, ZC
29	14	YBHH20035	BOLT, HEX, 5/8-11 X 2, G5, ZC
30	2	YWFL16005	BOLT, HEX, 5/8-11 X 2-1/2, G5, ZC
31	4	YWLO20005	WASHER, FLAT, 1/2 USS
32	14	YNHX20007	WASHER, LOCK, 5/8
33	14	YNNY12005	NUT, HEX, 5/8-11, NA, G8, ZY
34	2	BFR128	NUT, HEX, 3/8-16, LKNY, G2, ZC
35	2	BFR67	670 X15 TIRE 6-PLY
36	2	72436 32006	WHEEL 5" X 15" BOLT
37	2		VALVE STEM, 1-1/2" RUBBER
38	2		6.70-15 TIRE ON 5" X 15" WHEEL



**H&S Manufacturing products are approved for the
FEMA SEAL OF QUALITY**

**P.O. BOX 768, MARSHFIELD, WI 54449
(715) 387-3414 FAX (715) 384-5463
www.hsmfgco.com**