

KNIGHT

TOW TYPE BOX SPREADERS

PARTS MANUAL

FOR

MODEL 1050 & 1060

TABLE OF CONTENTS

Using This Listing	1
Front End and Apron	2-3
Apron Drive, Hydraulic	4-5
Right Hand Beater Drive	6-7
Left Hand Beater Drive	8-9
Lower Spinner Beater	10-11
Undercarriage <i>1050 Only</i>	12-13
Undercarriage <i>1060 Only</i>	14-15
Main Drive	16-17
50:1 Gearcase, Hyd. Apron	18-19
Right Angle Gearcase	20-21
Hydraulic End Gate	22-23
Hydraulic Components	24-25
PTO, 1000 RPM (<i>1-3/8" 21 spline</i>)	26-27
PTO, 1000 RPM (<i>1-3/4" 20 spline</i>)	28-29
PTO Driveline and Friction Clutch	30
Plastic Floor	31
Jackstand	32
Decals and Paint	33
U-Joint Repair	34
Hardware Listing	35-36
Part Number Index	37-38

Catalog P/N 005740 Unit Serial Number: _____

Operator Instruction Manual For This Unit Is #005739

ABBREVIATIONS

1050/1060-TOW R110393

Assy	Assembly
A/R	As Required
B	Bolt
Brg	Bearing
BSN	Before Serial Number
BTM	Bottom
C Bolt	Carriage Bolt
Cttr	Cotter
CV	Constant Velocity (Joint)
Dia	Diameter
ea	Each
Eq or Equiv	Equivalent
FLN	Flanged Lock Nut
FW	Flat Washer
Ga	Gauge
Gr or Grd	Grade
Hd	Head
Hyd	Hydraulic
ID	Inside Diameter
Ill or Illus	Illustration
Ind	Indicator
KW	Keyway
LH	Left Hand
LW	Lock Washer
Mtg Hrd	Mounting Hardware
NC	National Coarse
NF	National Fine
OD	Outside Diameter
Pc(s)	Piece(s)
PD	Pitch Diameter
PTO	Power Takeoff (Shaft)
Q or Qty	Quantity
Reg Mach	Regular Machine
RH	Right hand
SN	Serial Number
Sprkt	Sprocket
Sq	Square
Std	Standard
UASN	Used After Serial Number
UBSN	Used Before Serial Number

USING THIS SERVICE PARTS LISTING

1050/1060-TOW

This listing uses a number indentation system to specify the parts of an assembly. Any number which is indented to the right, indicates that it is a component of the item to the upper left. Example:

Part no	Description	Qty
uuu-uuu	Assembly A	2
vvv-vvv	Sub-Assembly B (Component of A)	3
www-www	Component of B	5
xxx-xxx	Another Component of B	1
yyy-yyy	Sub-Assembly C (Component of A) etc.	1

Using this system, the sub-assemblies and their components are included if an **Assembly** is ordered. Similarly, the components of a sub-assembly are included if a sub-assembly is ordered.

The quantity (qty) associated with an assembly, represents the number of times an assembly could be shown in the drawing. The sub-assembly quantity however, is the number of times a sub-assembly is used to build one assembly. Similarly, the component quantity refers to the number of times a given component is found in one sub-assembly.

MODEL AND SERIAL NUMBER INFORMATION is located below the drive shielding (Fig. A). The model number, serial number and part number should be known when asking service personnel for parts.

If you cannot find the part you need, be as descriptive as possible when placing an order:

Sprockets: give the bore size, number of teeth, and number and size of keyways.

Roller chain: give the size of chain (stamped on the side of each link) and number of links.

Shafting: give the diameter, length, and number and size of keyways.

Hardware is generally not included with parts. If you need any hardware, check the size, the length, and the grade (Fig. B), then check the hardware list in this manual for the part numbers. **All hex head bolts up to and including 7/16" diameter are grade 5, and nuts are grade B unless otherwise stated.**

The hardware listing also includes listings for zerks, cotter pins, set screws, and roller chain links.

The illustrations in this manual are meant to be used only as a guide for identifying parts and locating their relative positions.

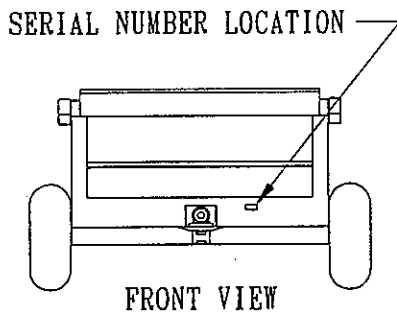
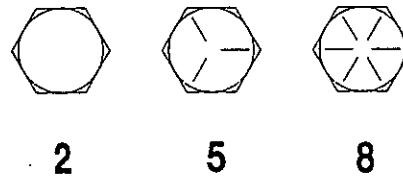


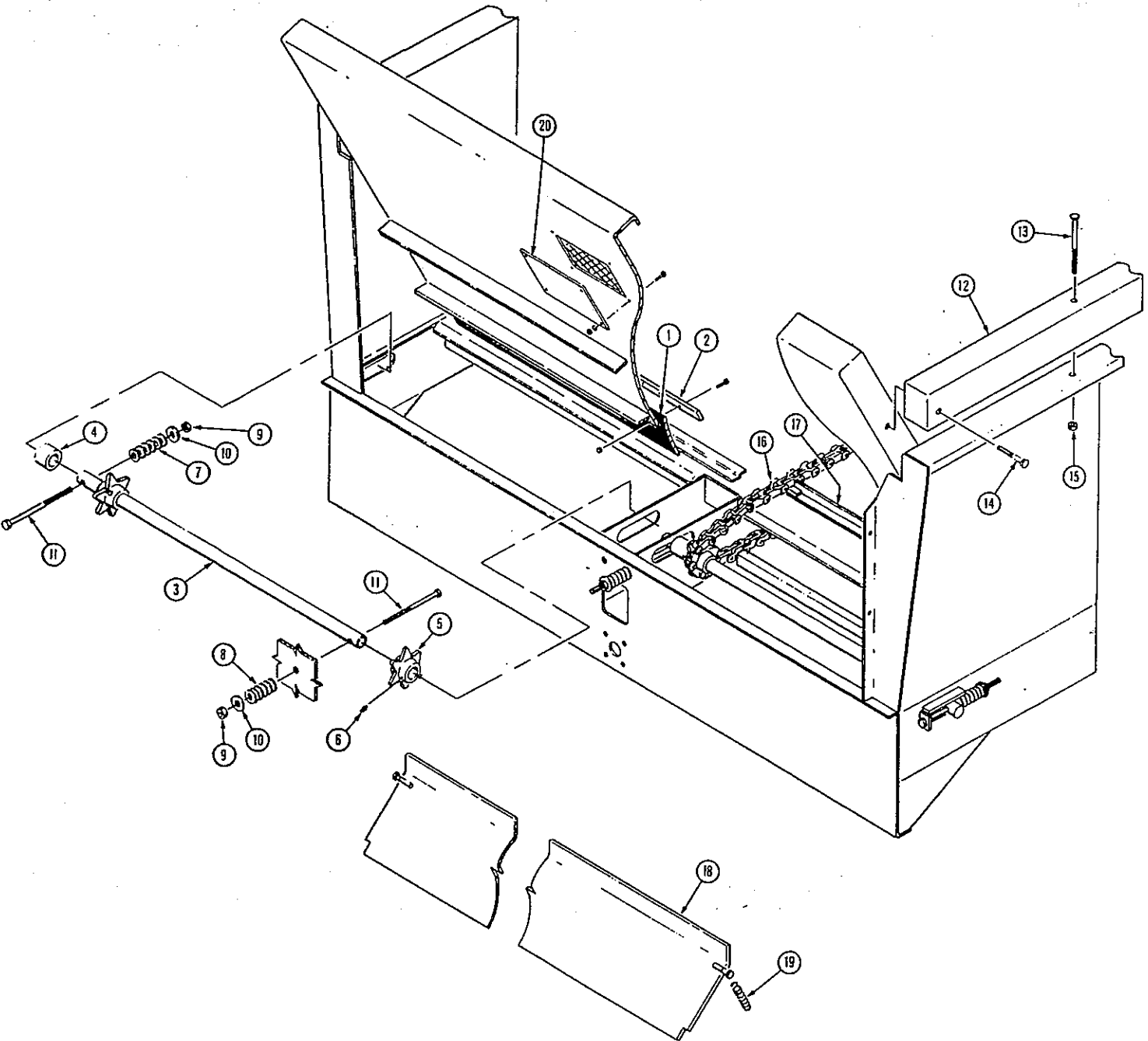
Figure A

BOLT GRADES



Bolt Head Grade Markings Figure B

An asterisk (*) at the end of a part number (XXX-XXX*) indicates that the part is no longer used in production for this application. Superscript letters (XXX-XXX^A) refer to footnotes and/or illustration boxes.



KNIGHT MANUFACTURING CORP. PO BOX 167 BROADHEAD, WI 53520
OFFICE: (608) 897-2131 PARTS/SERVICE: (608) 897-2125 FAX: (608) 897-2561

FRONT END AND APRON

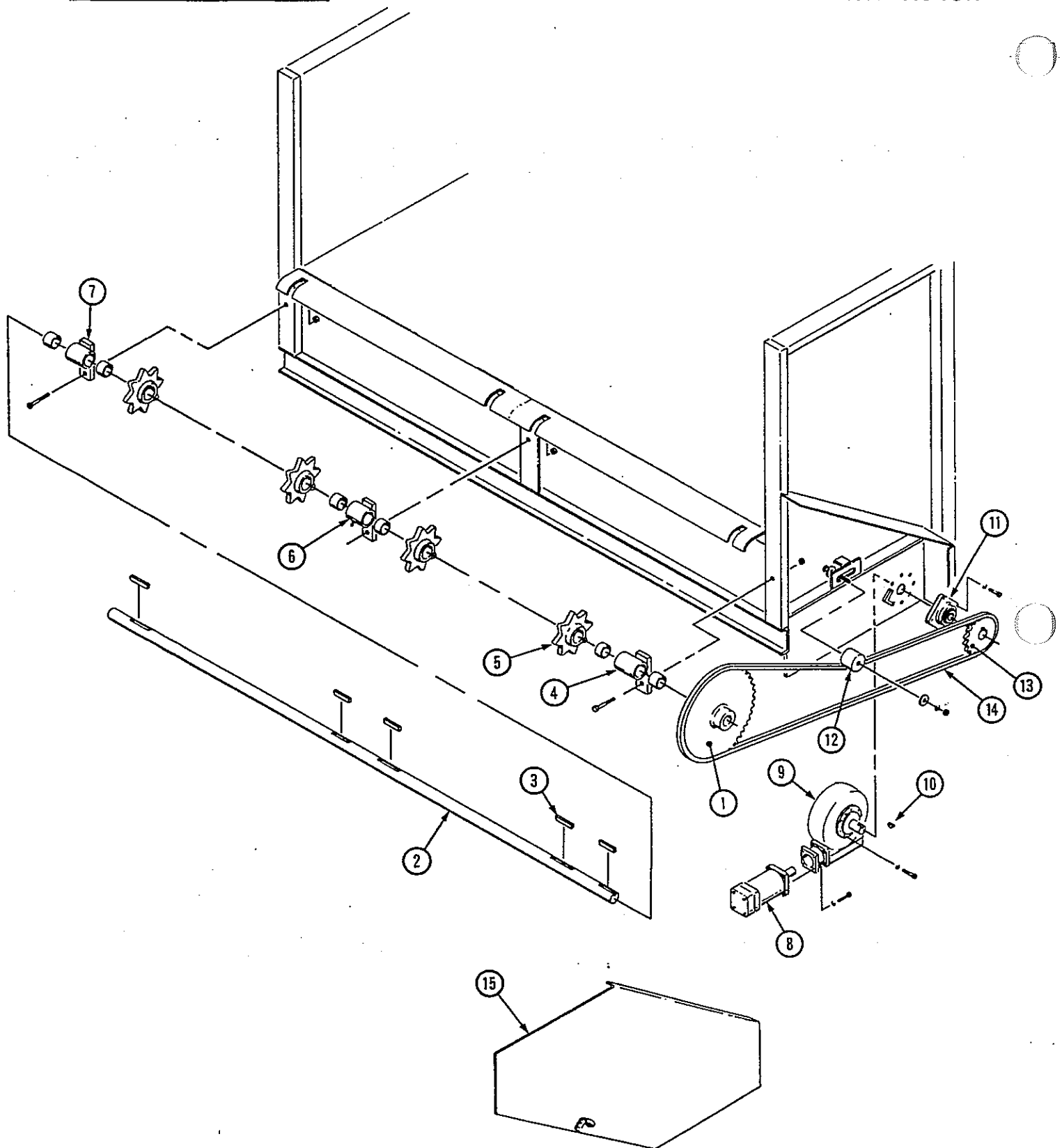
1050/1060-TOW R040798

REF	PART NO	QTY	DESCRIPTION
1	136-105	1	Front Belt Flap
2	132-042	1	Belt Retainer Strip; Mtg Hrd: 1/4" x 1" Bolt & Nut (14 ea)
3	132-704	2	Shaft, Apron Idler
4	131-321	2	Collar; Spacer, 1-1/2" x 2"
5	101-485	4	Idler Sprocket; 6 Tooth
6	170-049	1	Zerk Fitting; 90° 1/4" NF
7	170-166	2	Tightener Spring
8	170-500	2	Tightener Spring
9	170-042	4	Locknut; 1/2" NC
10	170-138	4	Flatwasher; 7/16"
11	170-506	4	Bolt, 1/2" NC x 11", Gr 5
12	136-170	2	Wood Rail (1050 only)
	136-171	2	Wood Rail (1060 only)
13	170-191	14	Carriage Bolt; 3/8" NC x 6-1/2"
14	171-283	2	Carriage Bolt; 3/8" NC x 3-1/2"
15	170-007	14	Nut; 3/8" NC
16	173-055	2	Apron Chian Assy. AL667XH-164-AS-33 (1050 only)
	173-056	2	Apron Chain Assy. AL667XH-196-AS-39 (1060 only)
	173-193	A/R	AL667XH Connector Link
17	102-379	A/R	Repair Slat Assembly
18	101-552	1	Apron Idler Shield
19	170-110	2	Mount Spring (<i>Apron idler shield</i>) .75" x 3.93 long
20	136-228	1	Cover Plate; Mtg Hrd: 5/16" x 3/4" Bolt, Lw, Nut

An asterisk (*) at the end of a part number (XXX-XXX*) indicates that the part is no longer used in production for this application. Superscript letters (XXX-XXX¹) refer to footnotes and/or illustration boxes.

APRON DRIVE - HYDRAULIC

1050/1060-TOW



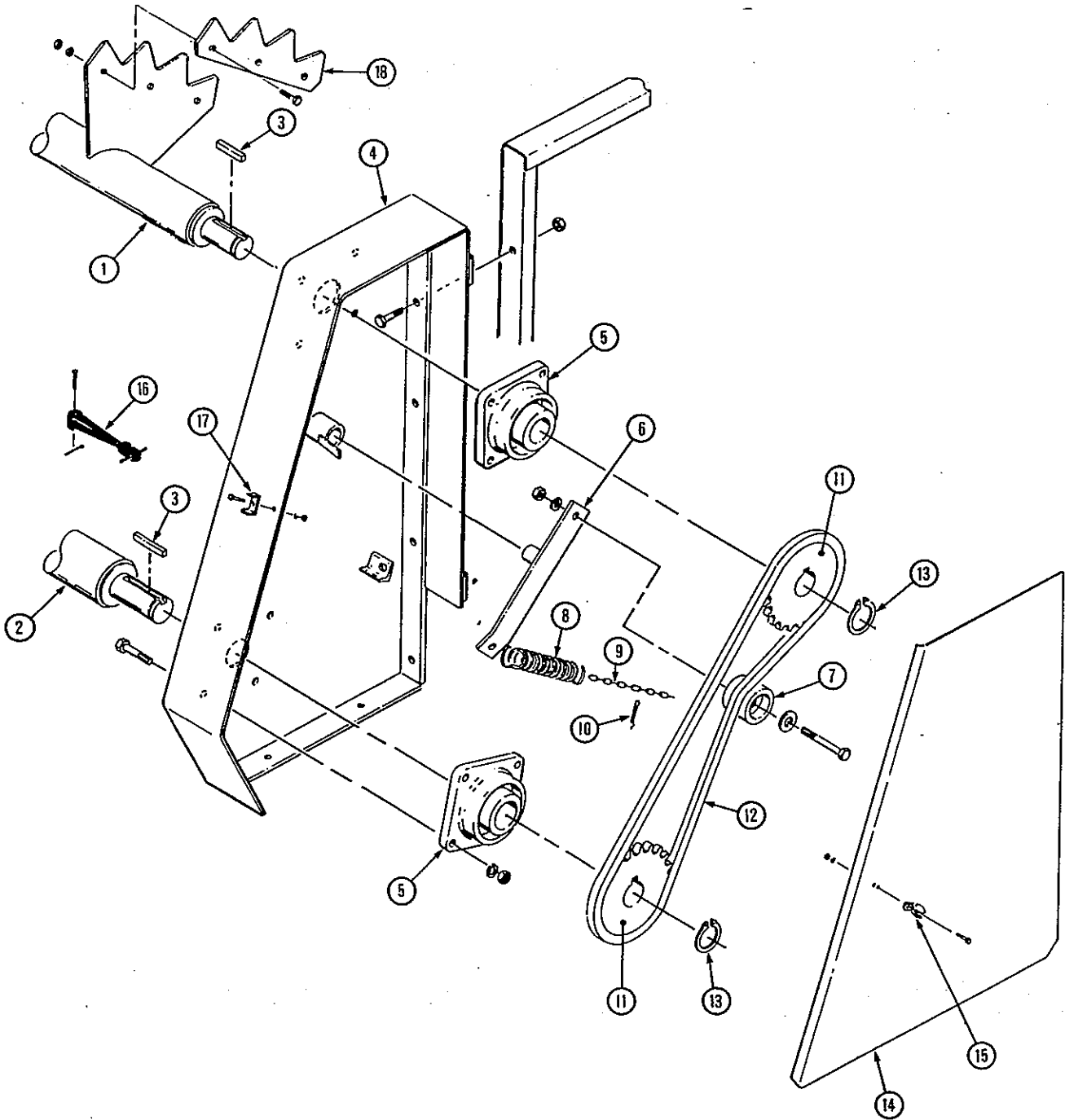
KNIGHT MANUFACTURING CORP. PO BOX 167 BROADHEAD, WI 53520
OFFICE: (608) 897-2131 PARTS/SERVICE: (608) 897-2125 FAX: (608) 897-2561

APRON DRIVE - HYDRAULIC

1050/1060-TOW R040798

REF	PART NO	QTY	DESCRIPTION
1	136-090	1	Sprocket; 100-B-42T (Inc. 170249 s.s.)
2	136-100	1	Apron Drive Shaft
3	170-898	5	Key; 1/2" Sq. x 2-1/2"
4	102-364	1	Bearing Assy; RH Apron Drive; Mtg Hrd: 5/8" x 2-1/2" Bolt, Lw, Nut
	173-060	2	Bushing
	170-023	1	Zerk Fitting; Straight
5	136-101	4	Sprocket; Apron Drive (8 tooth)
6	102-363	1	Bearing Assy; Center Apron Drive; Mtg Hrd: 5/8" x 2-1/2" Bolt, Lw, Nut
	173-060	2	Bushing
	170-023	1	Zerk Fitting; Straight
7	102-365	1	Bearing Assy; LH Apron Drive; Mtg Hrd: 5/8" x 2-1/2" Bolt, Lw, Nut
	173-060	2	Bushing
	170-023	1	Zerk Fitting; Straight
8	170-809	1	Hydraulic Motor; 6.8 Cu. In.
9			Ref. Only, See 50:1 Gearcase Pages For Parts
10	170-012	1	Key; 3/8" x 3/8" x 2" lg
11	170-057	1	Bearing; Flange 1-1/2"; Mtg Hrd: 1/2" x 1-1/4" Bolt, Lw, Nut
	170-825	2	Setscrew; 5/16" x 5/16"
	170-023	1	Zerk Fitting; Straight
12	134-179	1	Tightener Block; Mtg Hrd: 5/8" x 4-1/2" Bolt, Fw, Lw, Nut
13	131-882	1	Sprocket; 100-B-15 (Inc. 170-249 .s.s)
14	173-058	1	Chain Assy; #100 x 64 P
15	136-122	1	RH-Lower Shield
	171-662	1	Shield Bracket; Mtg Hrd: 1/4" x 3/4" Bolt & LW, Nut
	170-950	1	Rubber Latch; Mtg Hrd: (171-137) Clevis Pin & (170-364) Cotter Pin
	170-939	1	Anchor Bracket; Mtg Hrd: 1/4" x 3/4" Bolt & LN

An asterisk (*) at the end of a part number (XXX-XXX*) indicates that the part is no longer used in production for this application. Superscript letters (XXX-XXX^{*}) refer to footnotes and/or illustration boxes.



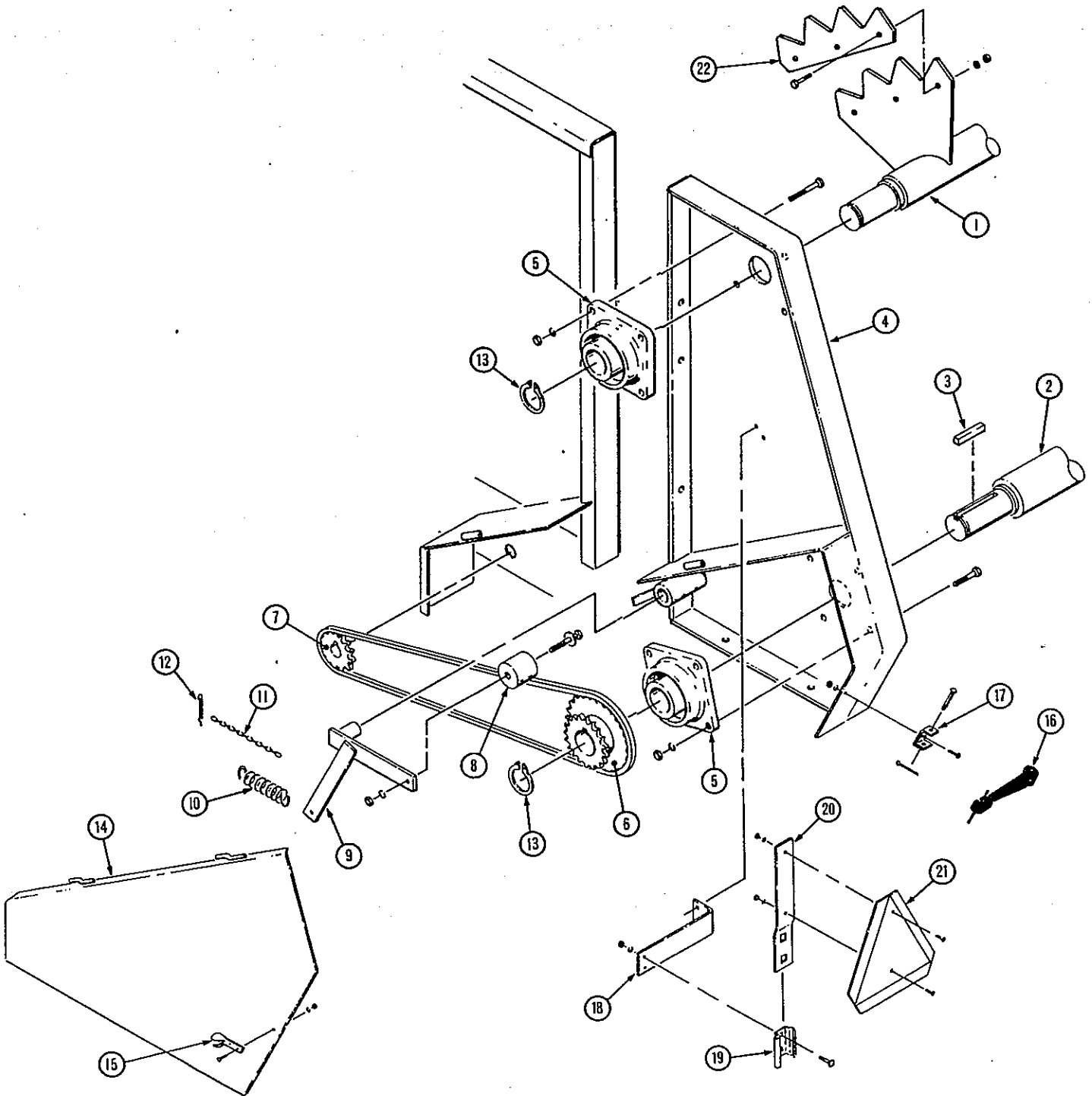
KNIGHT MANUFACTURING CORP. PO BOX 167 BROADHEAD, WI 53520
OFFICE: (608) 897-2131 PARTS/SERVICE: (608) 897-2125 FAX: (608) 897-2561

R.H. BEATER DRIVE

1050/1060-TOW R040798

REF	PART NO	QTY	DESCRIPTION
1	102-354	1	Upper Beater
	136-080	16	Beater Paddle
2	102-355	1	Lower Beater
	136-080	16	Beater Paddle
3	171-643	2	Key; 1/2" Sq. x 1-1/4"
4	102-356	1	RH Beater Panel; Mtg Hrd: 1/2" x 1-1/2" Bolt, Lw, Nut
5	170-008	2	Bearing; Mtg Hrd: 5/8" x 1-3/4" Bolt, Lw, Nut
	171-469	2	Setscrew; 3/8" x 1/2"
	170-865	1	Zerk Fitting; Straight 1/8"
6	102-368	1	Chain Tightener Arm
7	134-155	1	Tightener Block; Mtg Hrd: 1/2" x 2-3/4" Bolt, Fw, Lw, Nut
8	172-751	1	Tightener Spring
9	170-478	1	Retainer Chain
10	170-800	1	Clinch Pin
11	133-916	2	Sprocket; 80-B-18
12	173-057	1	Chain Assy; #80 x 73 P
	170-090	1	Link; #80 Connector
	170-098	1	Link; #80 Offset
13	170-142	2	Snap Ring; 2" External
14	102-376	1	RH-Upper Shield
15	171-662	1	Shield Bracket; Mtg Hrd 1/4" x 3/4" Bolt & LW, Nut
16	170-950	1	Rubber Latch; Mtg Hrd (171-137) Clevis Pin & (170-364) Cotter Pin
17	170-939	1	Anchor Bracket; Mtg Hrd 1/4" x 3/4" Bolt & LN
18	136-081	16	Replacement Paddle Tooth (<i>optional</i>) Mtg Hrd: 1/2" x 1-3/4" Bolt, Lw, Nut (3ea)

An asterisk (*) at the end of a part number (XXX-XXX*) indicates that the part is no longer used in production for this application. Superscript letters (XXX-XXX^a) refer to footnotes and/or illustration boxes.



KNIGHT MANUFACTURING CORP. PO BOX 167 BRODHEAD, WI 53520
OFFICE: (608) 897-2131 PARTS/SERVICE: (608) 897-2125 FAX: (608) 897-2561

L.H. BEATER DRIVE

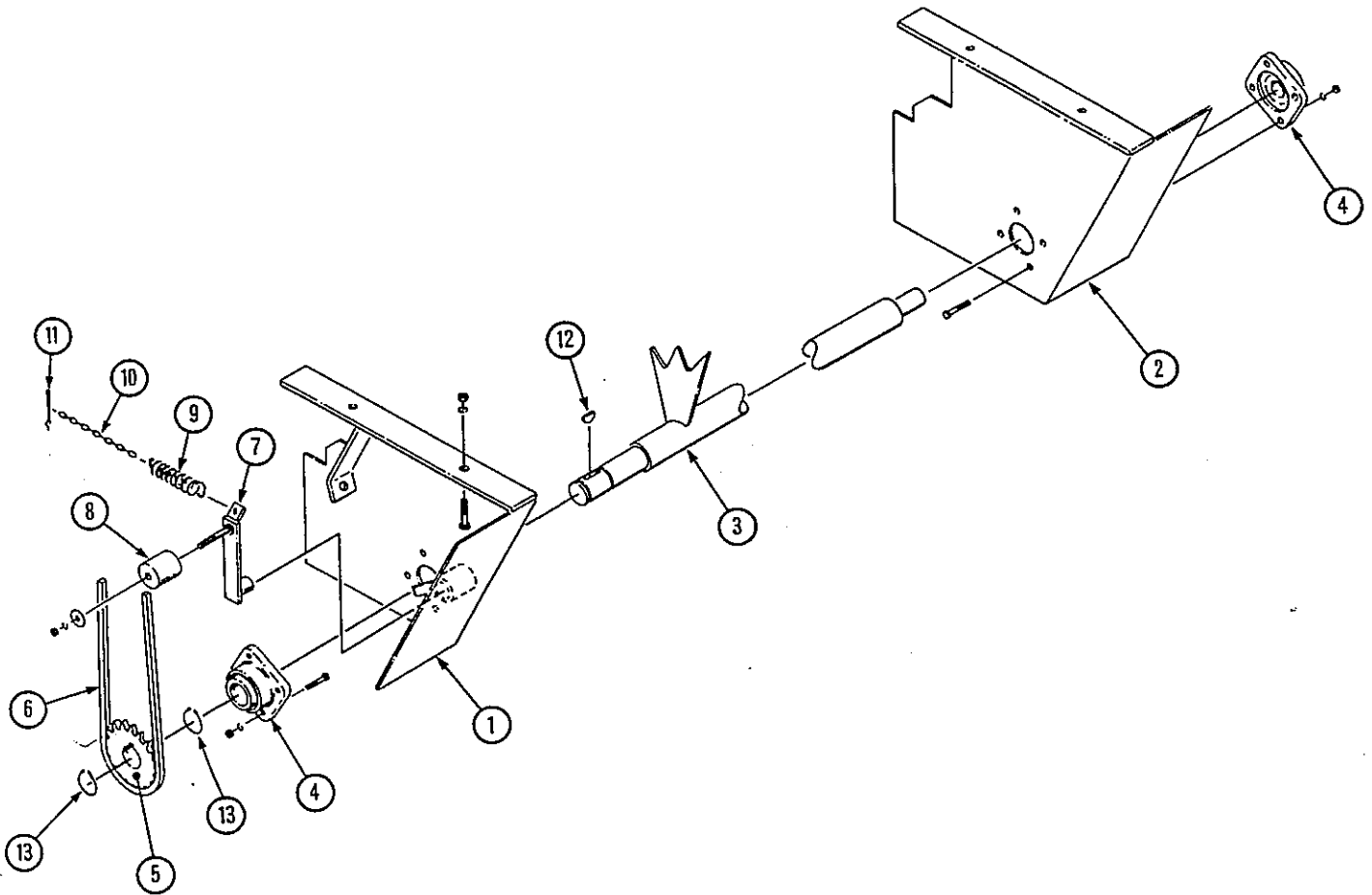
1050/1060-TOW R040798

REF	PART NO	QTY	DESCRIPTION
1	102-354	1	Upper Beater
	136-080	16	Beater Paddle
2	102-355	1	Lower Beater
	136-080	16	Beater Paddle
3	170-019	1	Key; 1/2" Sq. x 2"
4	102-357	1	LH Beater Panel; Mtg Hrd: 1/2" x 1-1/2" Bolt & Lock Nut
5	170-008	2	Bearing; Mtg Hrd: 5/8" x 1-3/4" Bolt, Lw, Nut
	171-469	2	Setscrew; 3/8" x 1/2"
	170-865	1	Zerk Fitting; Straight 1/8"
6	102-371	1	Sprocket Assy; 80-B-24 and 60-18 (Inc. 170249 s.s.)
	173-012	1	Chain Assy; #80-1-96 P
	170-090	1	Link; #80 Connector
7	131-776	1	Sprocket; 80-B-12; (Inc. 170151 s.s.)
8	134-155	1	Tightener Block; Mtg Hrd: 1/2" x 2-3/4" Bolt, Fw, Lw, Nut
9	102-369	1	Tightener Arm
10	172-751	1	Tightener Spring
11	170-478	1	Retainer Chain
12	170-800	1	Clinch Pin
13	170-142	2	Snap Ring; 2" External
14	102-377	1	LH Shield
15	171-662	1	Shield Bracket; Mtg Hrd: 1/4" x 3/4" Bolt & LN
16	170-950	1	Rubber Latch; Mtg Hrd: (171-137) Clevis Pin & (170-364) Cotter Pin
17	170-939	1	Anchor Bracket; Mtg Hrd: 1/4" x 3/4" Bolt & LW, Nut
18	136-231	1	Mount Bracket (SMV) <i>slow moving vehicle</i> ; Mtg Hrd: 5/16" x 1" Bolt, Lw, Nut
19	170-895	1	Mount Socket (SMV)
20	170-896	1	Mount Spade (SMV)
21	170-894	1	Sign (Slow Moving Vehicle)
22	136-081	1	Replacement Paddle Tooth (optional) Mtg Hrd: 1/2" x 1-3/4" Bolt, Lw, Nut (3ea)

An asterisk (*) at the end of a part number (XXX-XXX*) indicates that the part is no longer used in production for this application. Superscript letters (XXX-XXX⁶) refer to footnotes and/or illustration boxes.

LOWER SPINNER BEATER

1050/1060-TOW



KNIGHT MANUFACTURING CORP. PO BOX 167 BRODHEAD, WI 53520
OFFICE: (608) 897-2131 PARTS/SERVICE: (608) 897-2125 FAX: (608) 897-2561

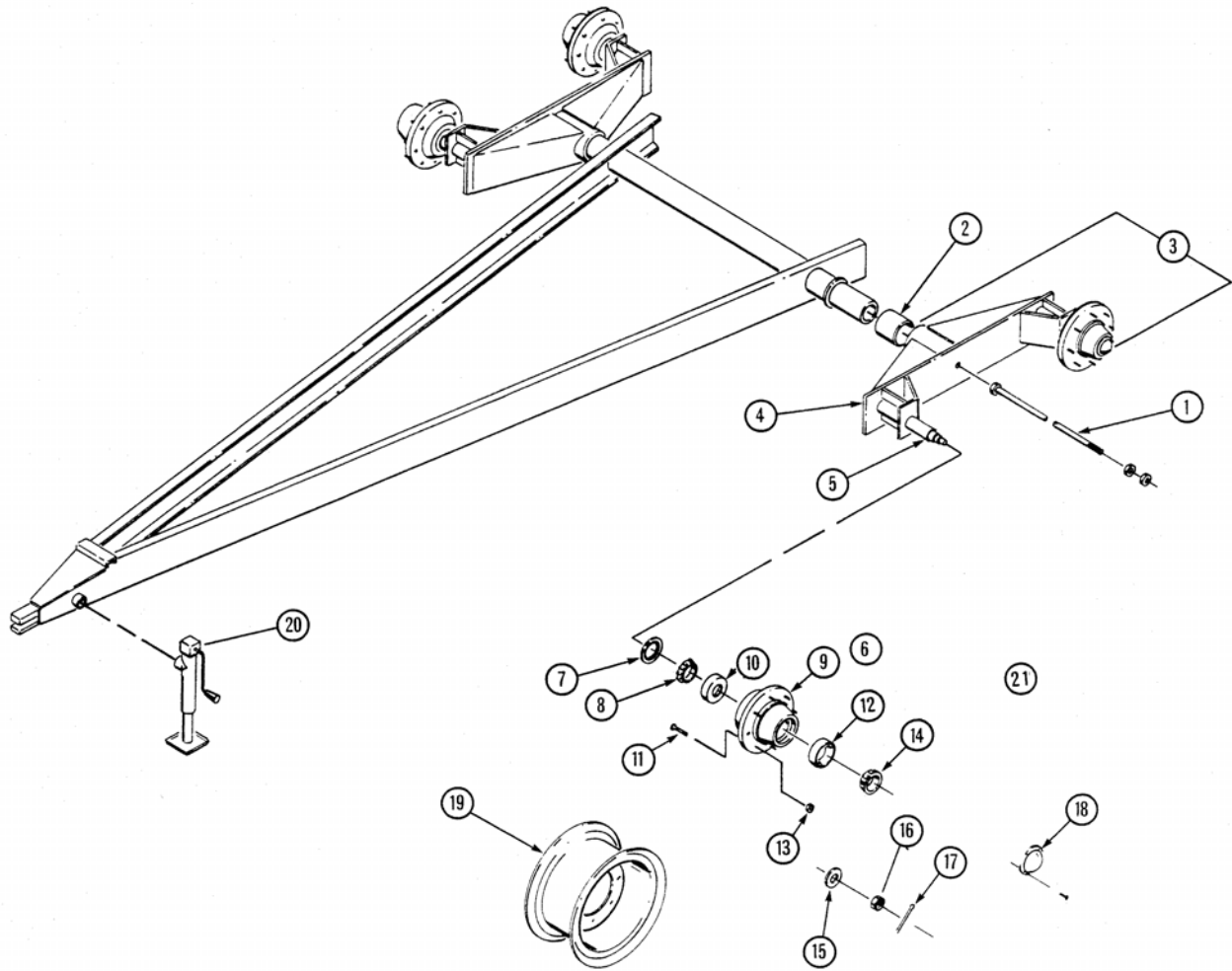
LOWER SPINNER BEATER

1050/1060-TOW

REF	PART NO	QTY	DESCRIPTION
1	102-359	1	LH Spinner Beater Panel
2	102-358	1	RH Spinner Beater Panel
3	101-480	1	Spinner Beater
4	171-585	2	Bearing; Flanged, 1-3/8" Ecc. Lock; Mtg Hrd: 1/2" x 1-1/2" Bolt, Lw, Nut, (<i>inc. 170-023 grease zerk</i>)
5	130-128	1	Sprocket; 60-B-18 (<i>inc. 170-151 s.s.</i>)
6	173-059	1	Chain Assy; #60 x 76 P
7	101-360	1	Idler Arm
8	134-431	1	Tightener Block
9	172-006	1	Tightener Spring
10	170-479	1	Chain
11	170-800	1	Clinch Pin
12	170-170	1	Key; 3/8" x 1-1/4" Woodruff
13	171-020	2	Snap Ring; 1-3/8"

An asterisk (*) at the end of a part number (XXX-XXX*) indicates that the part is no longer used in production for this application.
Superscript letters (XXX-XXX^A) refer to footnotes and/or illustration boxes.

1050 ONLY

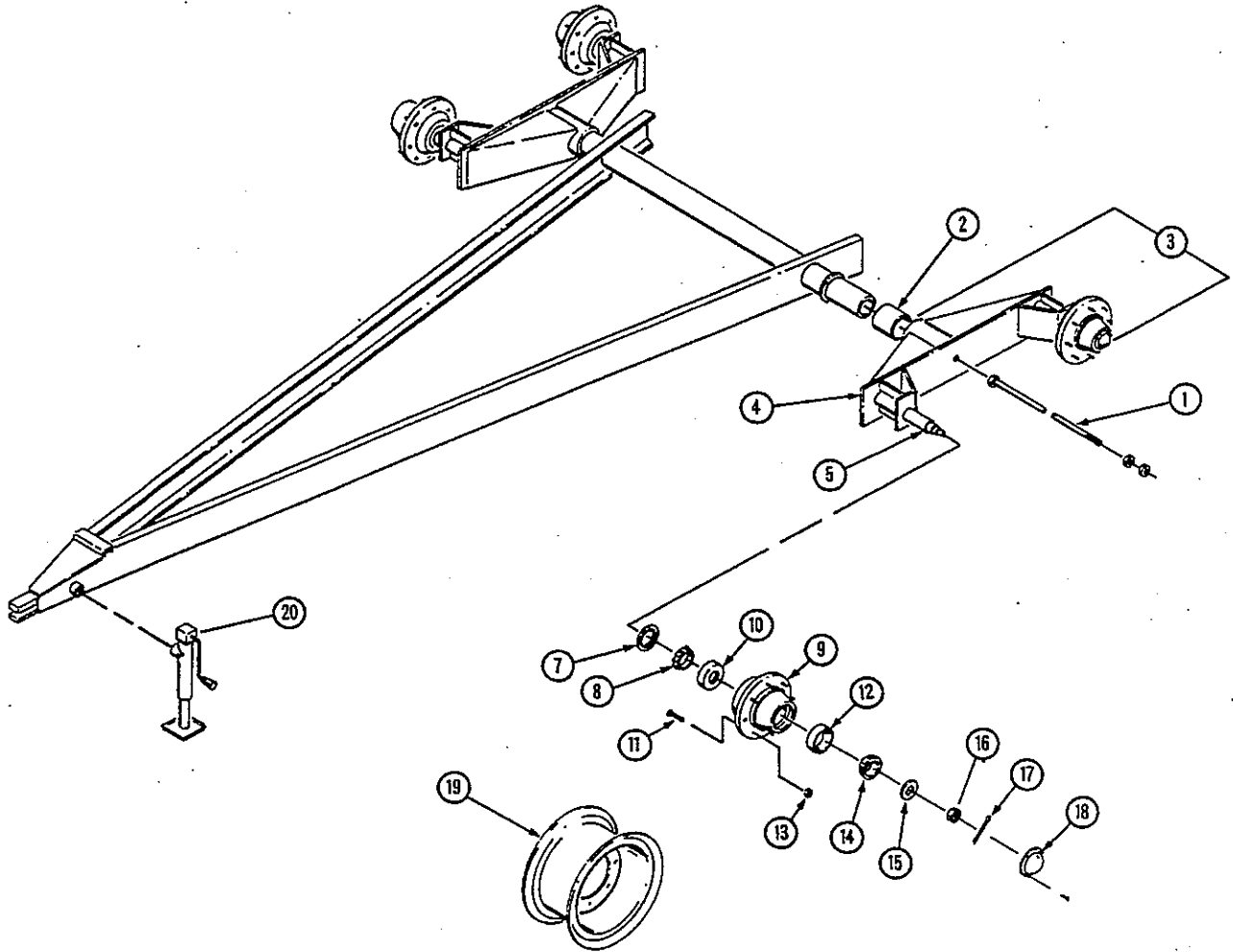


KNIGHT MANUFACTURING CORP. PO BOX 167 BROADHEAD, WI 53520
OFFICE: (608) 897-2131 PARTS/SERVICE: (608) 897-2125 FAX: (608) 897-2561

1050 ONLY

REF	PART NO	QTY	DESCRIPTION
1	101-593	1	Tie Rod Assembly Mtg Hrd: 3/4" Nut, Jam Nut, (170-236) Cotter Pin (1 ea) & FW (2)
2	133-565	2	Bushing; Bogie Pivot
3	101-644	1	RH Bogie Assembly
	101-645	1	LH Bogie Assembly
4	101-646	1	RH Bogie Weldment
	101-643	1	LH Bogie Weldment
	170-865	1	Grease Zerk
5	134-434	2	Spindle; 2-1/2" x 14-1/8" Long
6	171-823	2	8-Bolt Hub Assembly
7	171-831	1	Grease Seal
8	171-828	1	Inside Bearing Cone
9	173-381	1	8-Bolt Hub
10	171-824	1	Inside Bearing Race
11	171-826	8	Stud171-825 Outside Bearing Race
13	171-827	8	Wheel Nut
14	171-829	1	Outside Bearing Cone
15	171-832	2	Flat Washer; 7/8" Heavy
16	171-827	2	Castle Nut; 7/8" NF
17	170-056	2	Cotter Pin; 5/32" x 1-1/2"
18	171-830	1	Dust Cap
19	171-809	4	Wheel; 16"x16.1"
	172-229	4	Wheel; 22-1/2" x 11"
20	171-610	1	Jackstand (<i>See jackstand page for parts breakdown</i>)
21	171-815	1	Hub Assembly

1060 ONLY

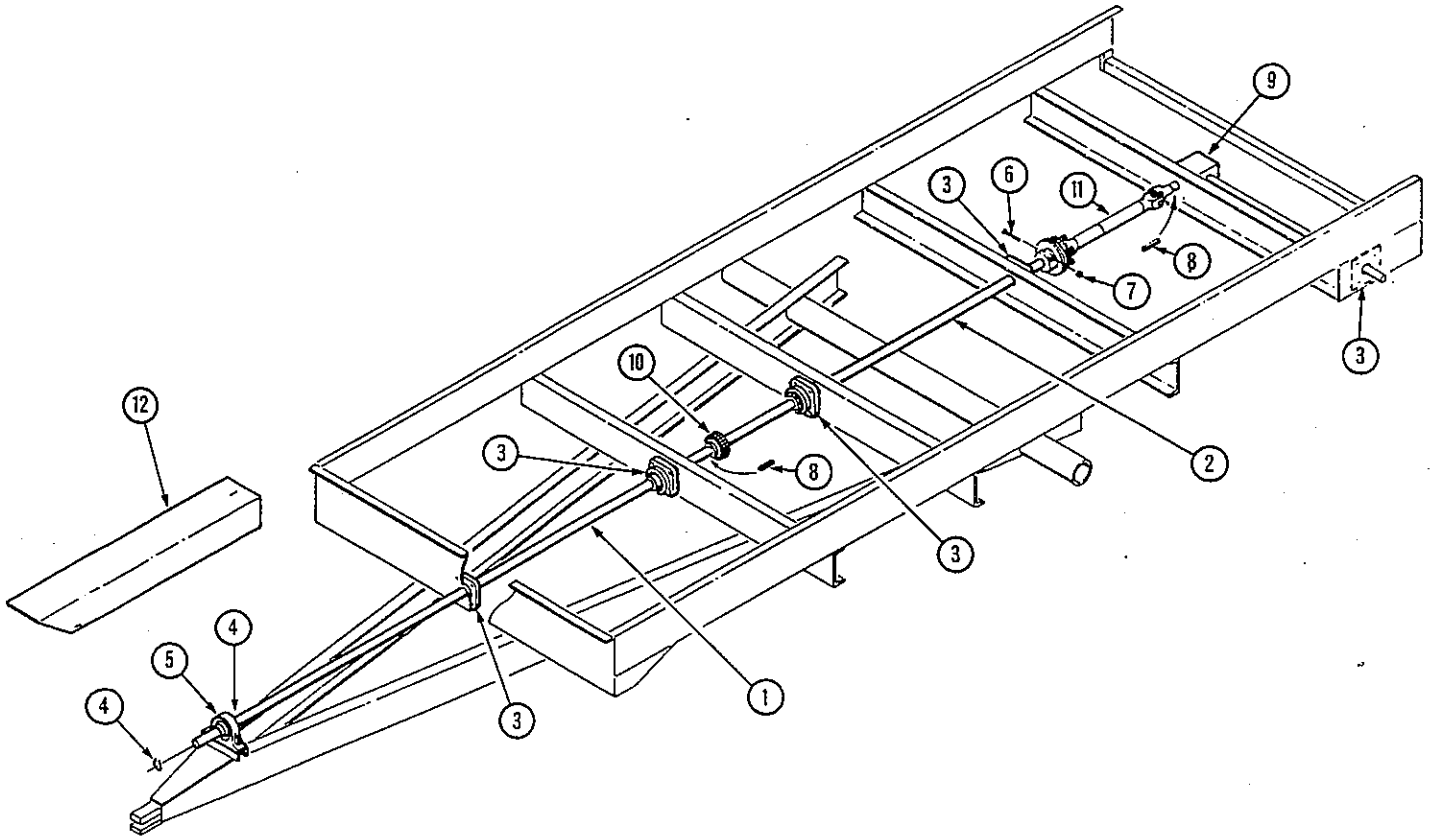


KNIGHT MANUFACTURING CORP. PO BOX 167 BROADHEAD, WI 53520
OFFICE: (608) 897-2131 PARTS/SERVICE: (608) 897-2125 FAX: (608) 897-2561

1060 ONLY

REF	PART NO	QTY	DESCRIPTION
1	102-370	1	Tie Rod Assembly Mtg Hrd: 3/4" Nut, Jam Nut, (170-236) Cotter Pin (1 ea) & FW (2)
2	134-843	1	Bushing; Bogie Pivot
3	102-049	1	LH Bogie Assembly
4	102-065	1	LH Bogie Weldment
	170-865	1	Grease Zerk
5	134-824	1	Spindle; 3"
6		1	10-Bolt Hub Assembly
7	172-362	1	Grease Seal
8	172-360	1	Inside Bearing Cone * Timken #33275 or Equiv.
9	172-396	1	10-Bolt Hub
10	172-361	1	Inside Bearing Race * Timken #33462 or Equiv.
11	170-919	10	Wheel Stud; 3/4" NF
12	170-920	10	Wheel Nut; 3/4" NF
13	170-922	1	Outside Bearing Race * Durst 453A-E.W. #1300752-00 or Equiv.
14	170-921	1	Outside Bearing Cone * Durst 460-E.W. #1300781-00 or Equiv.
15	170-928	2	Spindle Washer
16	170-927	2	Castle Nut; 1-1/4" UNF
17	170-056	2	Cotter Pin; 1/4" x 2"
18	170-926	2	Dust Cap
3	102-048	1	RH Bogie Assembly
4	102-066	1	RH Bogie Weldment
	170-865	1	Grease Zerk
5	134-824	1	Spindle; 3"
6		1	10-Bolt Hub Assembly
7	172-362	1	Grease Seal
8	172-360	1	Inside Bearing Cone * Timken #33275 or Equiv.
9	172-396	1	10-Bolt Hub
10	172-361	1	Inside Bearing Race * Timken #33462 or Equiv.
11	170-919	10	Wheel Stud; 3/4" NF
12	170-922	1	Outside Bearing Race * Durst 453A-E.W. #1300752-00 or Equiv.
13	170-920	10	Wheel Nut; 3/4" NF
14	170-921	1	Outside Bearing Cone * Durst 460-E.W. #1300781-00 or Equiv.
15	170-928	1	Spindle Washer
16	170-927	1	Castle Nut; 1-1/4" UNF
17	170-056	1	Cotter Pin; 1/4" x 2"
18	170-926	1	Dust Cap
19	172-481	4	Wheel; 16.1" x 18" , 10-Hole
	172-312	4	Wheel; 13.5 x 22.5 10-Hole (Optional)
20	171-610	1	Jackstand (See jackstand page for parts breakdown)

An asterisk (*) at the end of a part number (XXX-XXX*) indicates that the part is no longer used in production for this application. Superscript letters (XXX-XXX¹) refer to footnotes and/or illustration boxes.



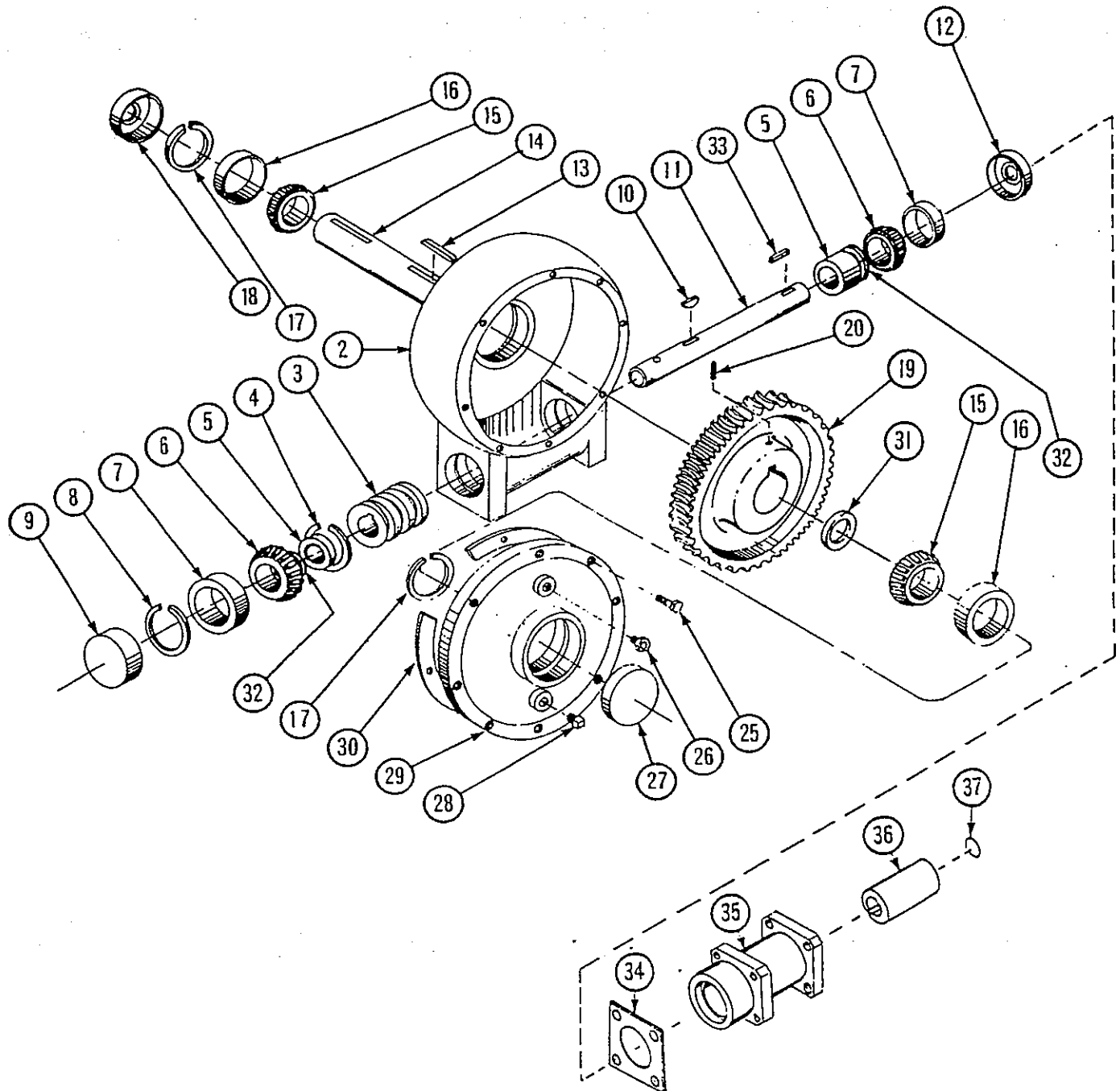
KNIGHT MANUFACTURING CORP. PO BOX 167 BRODHEAD, WI 53520
OFFICE: (608) 897-2131 PARTS/SERVICE: (608) 897-2125 FAX: (608) 897-2561

MAIN DRIVE

1050/1060-TOW R0626997

REF	PART NO	QTY	DESCRIPTION
1	136-087	1	Shaft; Front Drive
2	136-088	1	Shaft; Center Drive <i>(1050 only)</i>
	136-089	1	Shaft; Center Drive <i>(1060 only)</i>
3	170-000	5	Bearing; 1-3/8" 4-Bolt Flange Mtg Hrd: 1/2" x 1-1/2" Bolt, LW & Nut (4 ea)
4	170-051	2	Snap Ring; 1-3/8"
5	170-060	1	Bearing; 1-3/8" Pillow Block Mtg Hrd: 1/2" x 1-1/2" Bolt, LW, 7/16" FW & Nut (2 ea)
6	170-168	1	Bolt; 1/2" x 3"
7	170-042	1	Locknut; 1/2"
8	171-410	2	Key; 3/8" sq. x 1-7/8"
9	173-066	1	Gearcase; Right Angle; Mtg Hrd: 1/2" x 1" Bolt & LW (4 ea)
10	170-316	1	Roller Chain; 50-2-16
	136-118	2	Coupler Sprockets 50-B-16
11	172-260	1	Driveline Assy; Ref. Only See Driveline Pgs. For Parts
12	133-162	1	PTO Shield; Mtg Hrd 5/16" x 3/4" Bolt, FW, LW & Nut

An asterisk (*) at the end of a part number (XXX-XXX*) indicates that the part is no longer used in production for this application.
Superscript letters (XXX-XXX^A) refer to footnotes and/or illustration boxes.



KNIGHT MANUFACTURING CORP. PO BOX 167 BROADHEAD, WI 53520
OFFICE: (608) 897-2131 PARTS/SERVICE: (608) 897-2125 FAX: (608) 897-2561

50:1 GEARCASE - HYDRAULIC DRIVE APRON

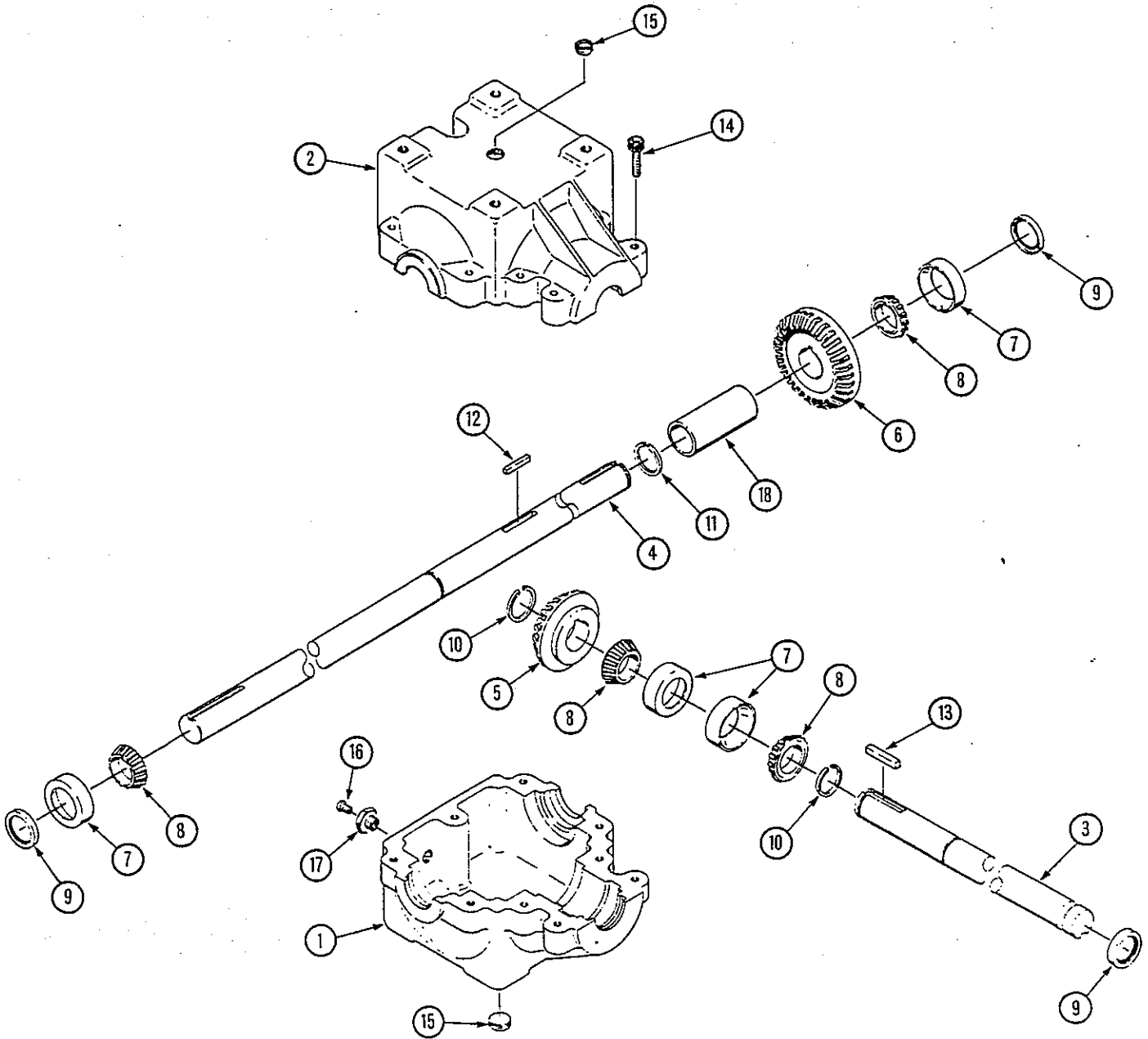
1050/1060-TOW R080797

REF	PART NO	QTY	DESCRIPTION
	172-021	1	50:1 Case Complete
2	171-051	1	Housing, Use With 171-880 Hyd. Adapter Only
3	170-637	1	Worm
4	170-605	1	Snap Ring
5	170-645	2	Spacer
6	170-534	2	Bearing Cone
7	170-535	2	Bearing Cup
8	170-536	1	Snap Ring
9	170-539	1	Cap
10	170-120	1	Key; Type "A" Woodruff
11	133-733	1	Input Shaft, Use With 171-880 Hyd. Adapter Only
12	171-881	1	Seal, Use With 171-880 Hyd. Adapter Only
13	170-012	1	Key; Square, 3/8" x 2"
14	131-488	1	Output Shaft
15	170-638	2	Bearing Cone
16	170-639	2	Bearing Cup
17	170-632	2	Snap Ring
18	170-640	1	Seal
19	172-773	1	Gear
20	170-151	1	Setscrew
25	170-054	8	Bolt; 3/8"
26	170-565	1	Vent Plug; 3/8"
27	170-550	1	Cap
28	170-541	1	Level Plug
29	170-642	1	Cover
30	170-643	1	Gasket
31	170-641	A/R	Shim
32	170-537	A/R	Shim
33	171-883	1	Key; Sq. 1/4" x 1", Used With 171-880 Hyd. Adapter
34	171-882	1	Gasket
35	171-880	1	Hyd. Adapter; With Seal; Mtg Hrd: 3/8" x 1" Bolt & LW (8 ea)
36	171-172	1	Coupler
37	171-124	1	Snap Ring

An asterisk (*) at the end of a part number (XXX-XXX*) indicates that the part is no longer used in production for this application. Superscript letters (XXX-XXX^A) refer to footnotes and/or illustration boxes.

RIGHT ANGLE GEARCASE

1050/1060-TOW R022497



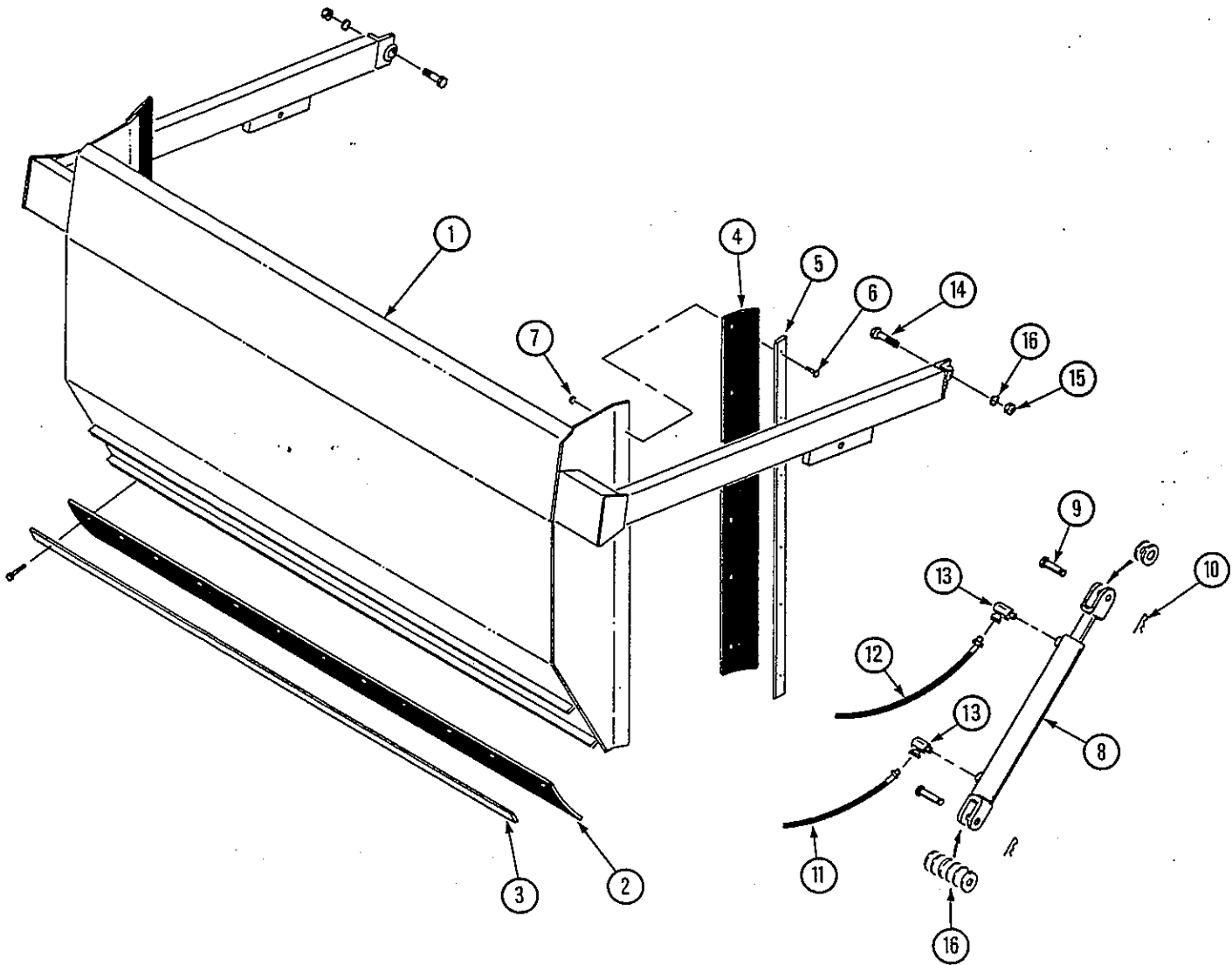
KNIGHT MANUFACTURING CORP. PO BOX 167 BRODHEAD, WI 53520
OFFICE: (608) 897-2131 PARTS/SERVICE: (608) 897-2125 FAX: (608) 897-2561

RIGHT ANGLE GEARCASE 1.5 : 1

1050/1060-TOW R022497

REF	PART NO	QTY	DESCRIPTION
	173-066	1	Gearcase Assy. 1.5:1 Right Angle (<i>Superior</i>)
1	173-125	1	Gearcase Housing
2	173-126	1	Gearcase Housing
3	173-139	1	Shaft; Pinion
4	173-140	1	Shaft; Cross
5	173-129	1	Gear
6	173-130	1	Gear
7	173-132	4	Bearing Cup
8	173-131	4	Bearing Cone
9	173-141	3	Oil Seal
10	173-143	2	Retaining Ring; 1-1/4"
11	173-144	1	Retaining Ring 1-3/8"
12	173-147	1	Key; 5/16" x 1-7/32" Straight
13	173-146	1	Key; 1/4" x 1-7/32" Straight
14	173-153	9	Bolt; .37-16 x 2.25 Square Head CS
15	173-152	2	Oil Plug; 1/2" Socket Head
16	170-679	1	Plug; Pressure Relief
17	173-150	1	Bushing; 1/2" NPT to 1/8" NPT
18	173-149	1	Spacer

An asterisk (*) at the end of a part number (XXX-XXX*) indicates that the part is no longer used in production for this application. Superscript letters (XXX-XXX^{*}) refer to footnotes and/or illustration boxes.



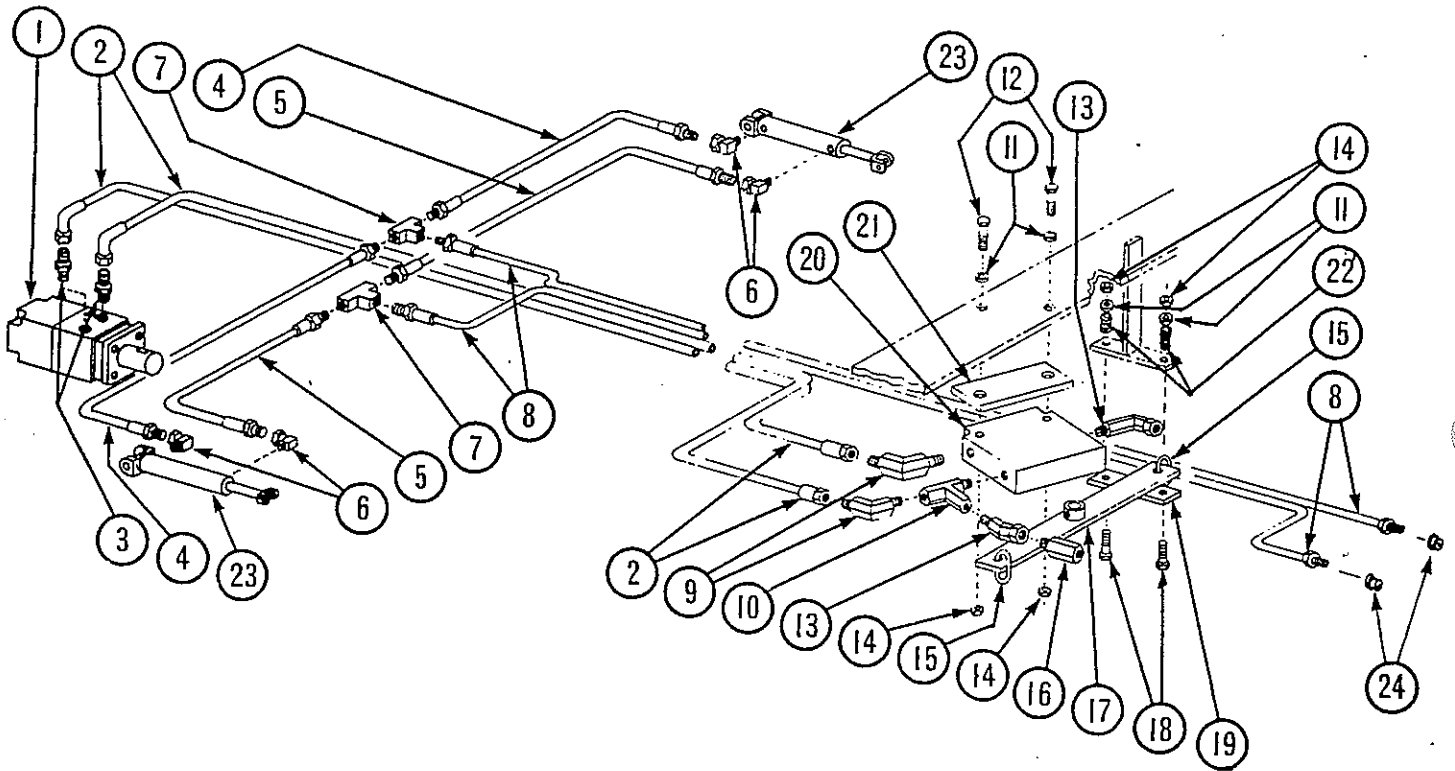
KNIGHT MANUFACTURING CORP. PO BOX 167 BRODHEAD, WI 53520
OFFICE: (608) 897-2131 PARTS/SERVICE: (608) 897-2125 FAX: (608) 897-2561

HYDRAULIC ENDGATE

1050/1060-TOW R080897

REF	PART NO	QTY	DESCRIPTION
	102-367	1	Hydraulic Endgate Assy
1	102-366	1	Hydraulic Endgate
2	131-802	1	Belt Flap - Bottom
3	131-675	1	Belt Retainer - Bottom
4	136-126	2	Belt Flap - Side
5	136-125	2	Belt Retainer - Side
6	171-094	28	Bolt; 1/4" NC x 7/8"
7	170-125	28	Nut; 1/4" 20 NC
8	170-161	2	Hydraulic Cylinder
9	170-073	2	Cylinder Pin
10	170-074	2	Hairpin Clip
11	171-940	2	Hydraulic Hose; 1/4" x 64"
12	173-068	2	Hydraulic Hose; 1/4" x 84"
13	171-030	4	Swivel Coupler - 90° - 3/8" NPT
14	171-092	2	Bolt; 7/8" - 14 NF x 4"
15	171-093	2	Locknut; 7/8" - 14 NF
16	170-122	16	Spacer Washer; 1" (2 top mount) (6 lower mount)

An asterisk (*) at the end of a part number (XXX-XXX*) indicates that the part is no longer used in production for this application. Superscript letters (XXX-XXX^A) refer to footnotes and/or illustration boxes.



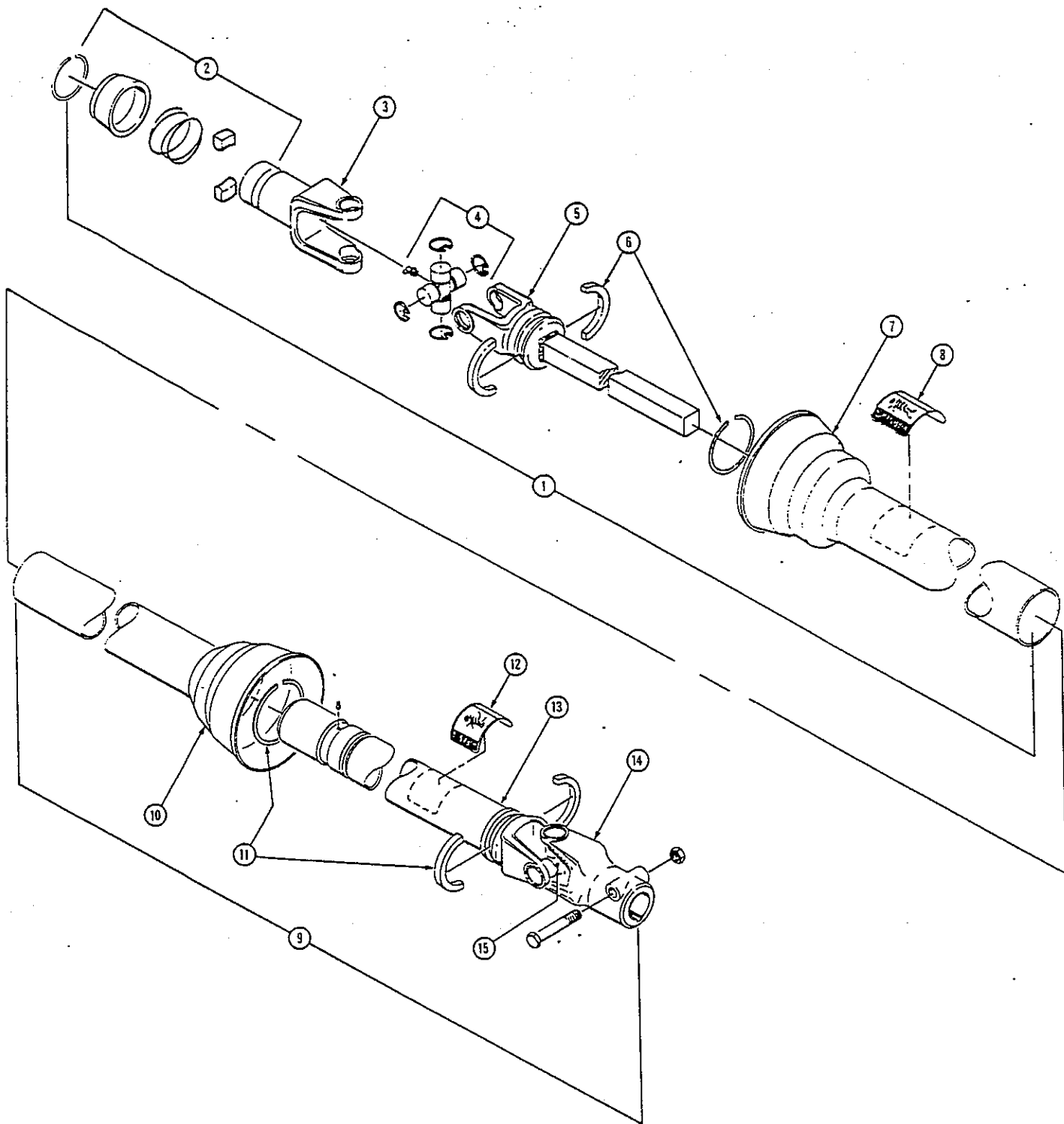
KNIGHT MANUFACTURING CORP. PO BOX 167 BROADHEAD, WI 53520
OFFICE: (608) 897-2131 PARTS/SERVICE: (608) 897-2125 FAX: (608) 897-2561

HYDRAULIC COMPONENTS

1050/1060-TOW R080797

REF	PART NO	QTY	DESCRIPTION
1	170-809	1	Hydraulic Motor
2	171-463	2	Hydraulic Hose; 3/4" x 226" OAL (1050 only)
2	171-620	2	Hydraulic Hose; 3/4" x 265" OAL (1060 only)
3	171-503	2	Adapter Fitting; 1/2" NPT
4	171-940	2	Hydraulic Hose; 1/4" x 64" OAL
5	173-068	2	Hydraulic Hose; 1/4" x 84" OAL
6	171-030	4	Elbow; 90° Swivel, 3/8" NPT
7	171-442	2	Hydraulic Tee; 3/8" FEM NPT
8	171-460	2	Hydraulic Hose; 1/4" x 294" OAL (1050 only)
8	171-619	2	Hydraulic Hose; 1/4" x 330" OAL (1060 only)
9	171-570	2	Elbow; 45°, 1/2" NPT Male
10	170-859	1	Service Tee; 1/2" NPT
11	170-301	4	Flatwasher; 1/4"
12	171-403	2	Bolt; 1/4" - 20 NC x 3"
13	171-182	2	Elbow; 45° Swivel
14	170-069	4	Nut; 1/4" - 20 NC, Lock
15	170-977	2	Link
16	171-151	1	In-Line Check
17	101-244	1	Speed Control Handle
18	171-203	2	Bolt; 1/4" - 20 NC x 2-3/4"
19	132-759	1	Friction Bar
20	173-061	1	Flow Control Valve
21	132-760	1	Spacer Bar
22	170-345	2	Spring
23	170-161	2	Hydraulic Cylinder
	170-073	2	Cylinder Pin*
	170-074	2	Hairpin Clip*
24	170-235	2	Reducer Fitting; 1/2" to 3/8"

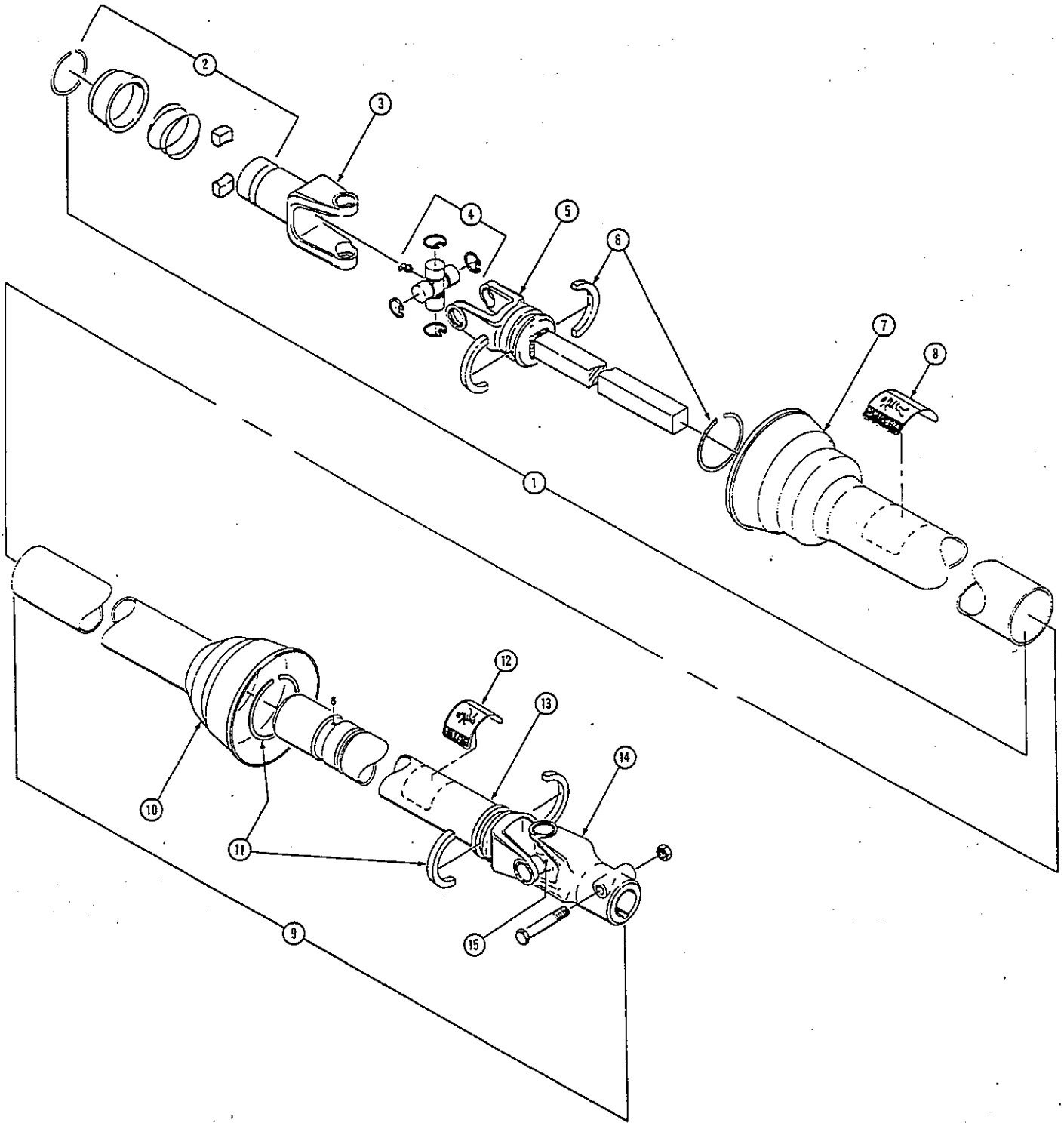
An asterisk (*) at the end of a part number (XXX-XXX*) indicates that the part is no longer used in production for this application.
Superscript letters (XXX-XXX^A) refer to footnotes and/or illustration boxes.



KNIGHT MANUFACTURING CORP. PO BOX 167 BROADHEAD, WI 53520
OFFICE: (608) 897-2131 PARTS/SERVICE: (608) 897-2125 FAX: (608) 897-2561

REF	PART NO	QTY	DESCRIPTION
	171-677		Weasler 35R Driveline with Guard (1-3/8" 21 spline)
1	171-674	1	Joint and Shalf Half with Guard
2	171-544	1	Safety Slide Lock Repair Kit
3	171-543	1	Safety Slide Lock Yoke
4	170-776	1	Cross and Bearing Kit
5	171-458	1	Yoke and Shaft Assy.
6	171-875	1	Nylon Rrepair Kit
7	171-678	1	Outer Guard
8	171-550	1	Safety Decal
9	171-675	1	Joint and Tube Half with Guard
10	171-679	1	Inner Guard
11	171-621	1	Nylon Repair Kit
12	171-779	1	Safety Decal
13	171-457	1	Yoke Tube and Slip Sleeve Assy.
14	171-581	1	Yoke
15	170-776	1	Cross and Bearing Kit

An asterisk (*) at the end of a part number (XXX-XXX*) indicates that the part is no longer used in production for this application.
Superscript letters (XXX-XXX^{*}) refer to footnotes and/or illustration boxes.



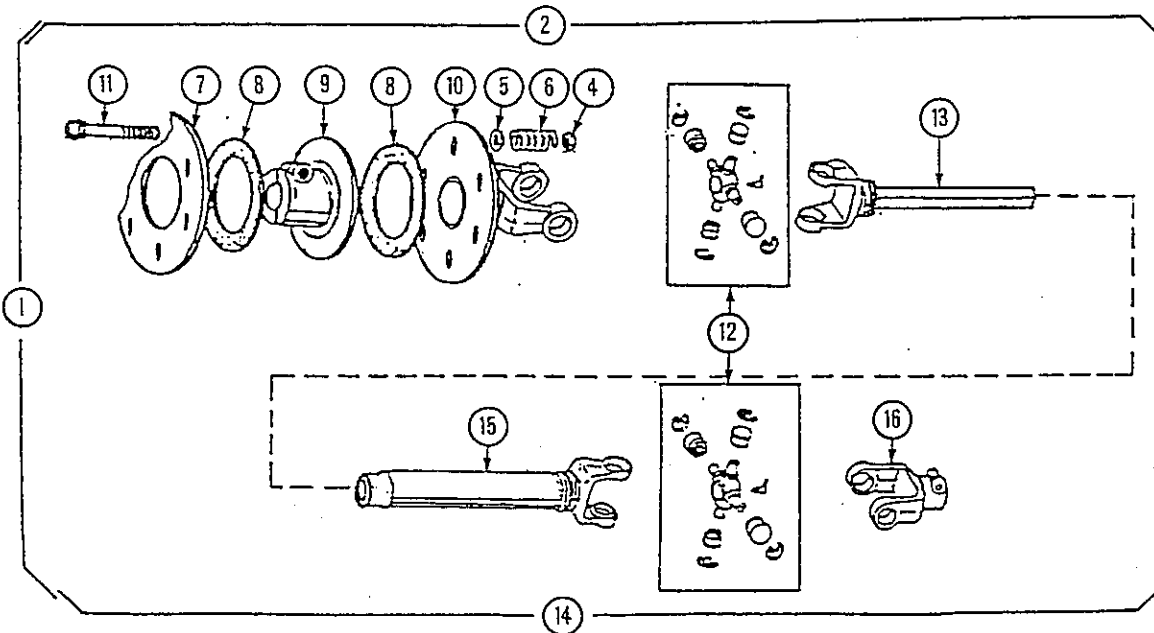
REF	PART NO	QTY	DESCRIPTION
	171-682		Weasler 35R Driveline with Guard (1-3/4" 20 spline)
1	171-681	1	Joint and Shalf Half with Guard
2	172-496	1	Safety Slide Lock Repair Kit
3	172-447	1	Safety Slide Lock Yoke
4	170-776	1	Cross and Bearing Kit
5	171-680	1	Yoke and Shaft Assy.
6	171-875	1	Nylon Rrepair Kit
7	171-683	1	Outer Guard
8	171-550	1	Safety Decal
9	173-184	1	Joint and Tube Half with Guard
10	173-186	1	Inner Guard
11	171-621	1	Nylon Repar Kit
12	171-779	1	Safety Decal
13	173-185	1	Yoke Tube and Slip Sleeve Assy.
14	171-581	1	Yoke
15	170-776	1	Cross and Bearing Kit

An asterisk (*) at the end of a part number (XXX-XXX*) indicates that the part is no longer used in production for this application.
Superscript letters (XXX-XXX^A) refer to footnotes and/or illustration boxes.

PTO DRIVELINE AND FRICTION CLUTCH

1050/1060-TOW R031797

REF	PART NO	QTY	DESCRIPTION
1	172-260	1	14R-9000 Friction Clutch PTO Driveline; Mtg Hrd: 1/2" x 3" Bolt & LN
2	172-258	1	Joint & Friction Half (Male Half)
4	170-047	6	Stopnut
5	171-762	6	Washer
6	171-761	6	Spring
7	171-759	1	Pressure Plate
8	171-760	2	Friction Disc
9	171-758	1	Drive Hub
10	171-757	1	Clutch Yoke W/Plate
11	171-813	6	Bolt; 3/8" x 4-1/4"
12	170-720	1	Repair Kit
13	172-262	1	Yoke & Shaft
14	172-259	1	Joint & Tube Half (Female Half)
15	172-263	1	Yoke & Tube
12	170-720	1	Repair Kit
16	171-708	1	Clamp Lock (Yoke)

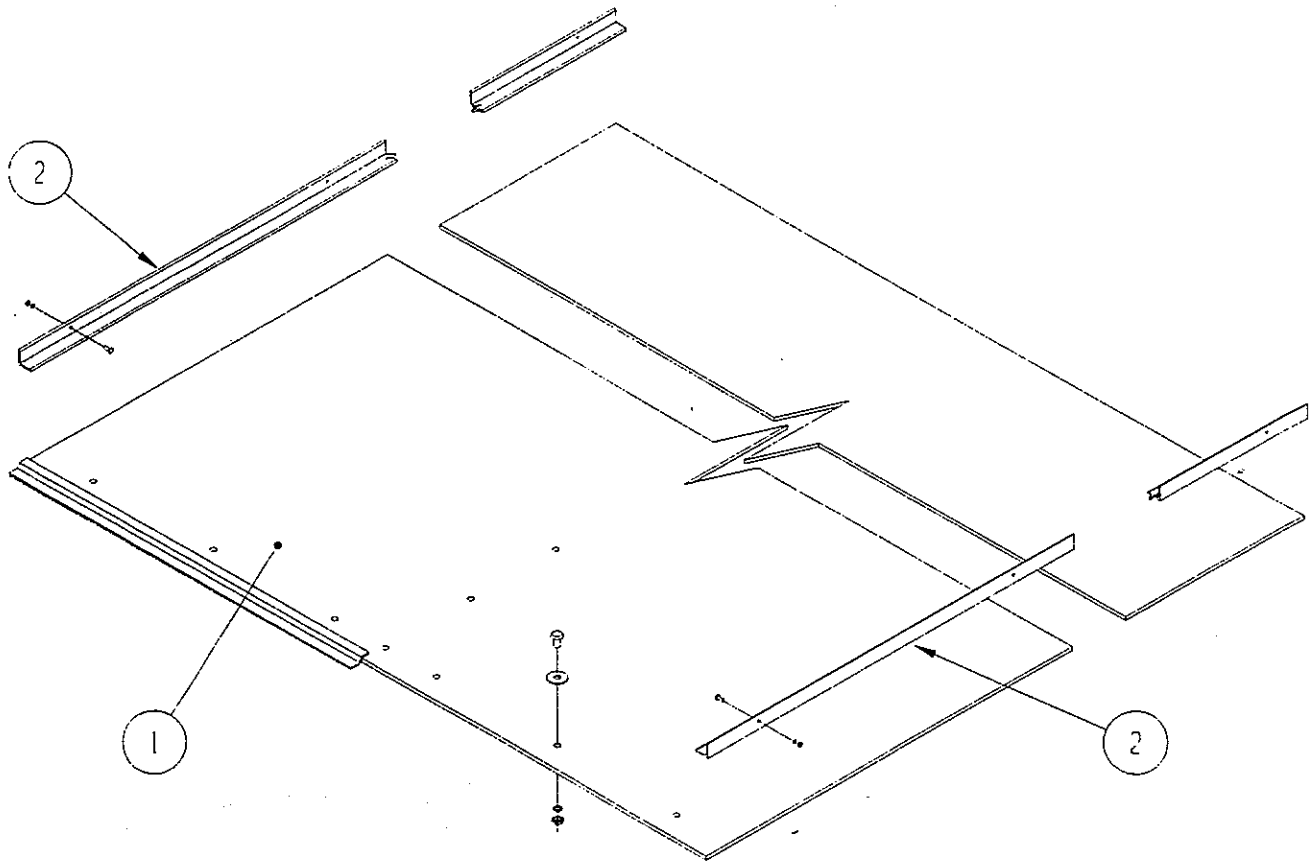


KNIGHT MANUFACTURING CORP. PO BOX 167 BROADHEAD, WI 53520
 OFFICE: (608) 897-2131 PARTS/SERVICE: (608) 897-2125 FAX: (608) 897-2561

PLASTIC FLOOR PARTS

1050/1060-TOW R062697

REF	PART NO	QTY	DESCRIPTION
1	180-658	13.3 ft	Plastic Floor; 1/4" x 80.5" x 160" sheet (1050 only)
	180-658	16.3 ft.	Plastic Floor; 1/4" x 80.5" x 196" sheet (1060 only)
			Mtg Hrd: 5/16" x 1" Pan head screw, Fw, Lw, Nut (9 ea)
2	136-129	2	Hold Down Angle (1050 only)
	136-130	2	Hold Down Angle (1060 only)
			Mtg Hrd: 1/4" x 1" Bolt, Lw, Nut (5 ea)



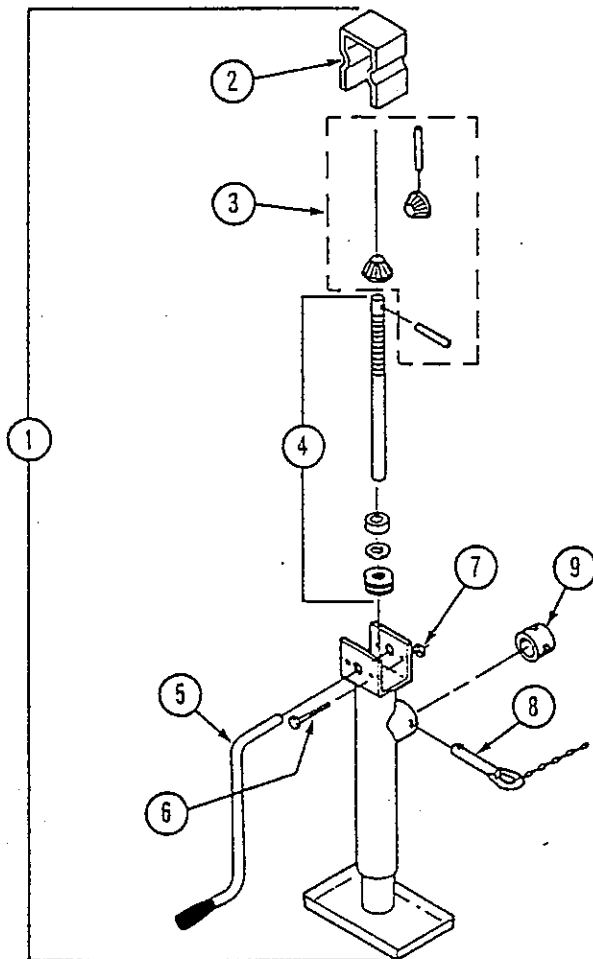
F:\home\spreadr\box-ep\plfloor.prt

An asterisk (*) at the end of a part number (XXX-XXX*) indicates that the part is no longer used in production for this application. Superscript letters (XXX-XXX^A) refer to footnotes and/or illustration boxes.

JACKSTAND

1050/1060-TOW R031797

REF	PART NO	QTY	DESCRIPTION
1	171-610	1	Jackstand Assy
2	171-814	1	Cover
3	171-614	1	Gear Kit
4	171-611	1	Screw, Nut, Bearing & Washer Assy
5	171-612	1	Crank Assy
6	170-509	1	Carriage Bolt; 1/4" x 3"
7	170-125	2	1/4" Nut
8	171-613	1	Pull Pin
9	171-615	1	Mount Tube Assy



KNIGHT MANUFACTURING CORP. PO BOX 167 BROADHEAD, WI 53520
OFFICE: (608) 897-2131 PARTS/SERVICE: (608) 897-2125 FAX: (608) 897-2561

PAINT AND DECALS

1050/1060-TOW R031797

Decals

173-083	1	Decals; Complete Set (1050 only)
173-085	1	Decals; Complete Set (1060 only)
170-154	3	"KNIGHT"
170-155	2	Knight Head
173-089	2	"1050" (1050 only)
173-090	2	"1060" (1060 only)
171-991	1	Amber Reflector
171-992	2	Red Reflector
170-490	1	Warning; Engage PTO Slowly...
171-712	1	Retighten Set Screws...
171-913	1	Warning; Do Not Operate
170-868	2	Apron Tension Adjustment...
171-915	6	Danger; Shield Missing...
172-370	1	Friction Clutch Adjustment...
172-171	1	Caution; Read Operators Manual...
172-786	4	Danger; Rotating Parts; Keep Away...
172-888	1	Caution; PTO Min.-Max. Length
172-889	2	Danger; Rotating Beaters...
172-890	2	Warning; Crushing Under; Keep Away...

Paint

170-366	Yellow Paint; 16 oz. Aerosol
170-812	Yellow Paint; Quart
170-813	Yellow Paint; Gallon
170-367	Red Paint; 16 oz. Aerosol
170-814	Red Paint; Quart
170-815	Red Paint; Gallon

An asterisk (*) at the end of a part number (XXX-XXX*) indicates that the part is no longer used in production for this application.
Superscript letters (XXX-XXX^{*}) refer to footnotes and/or illustration boxes.

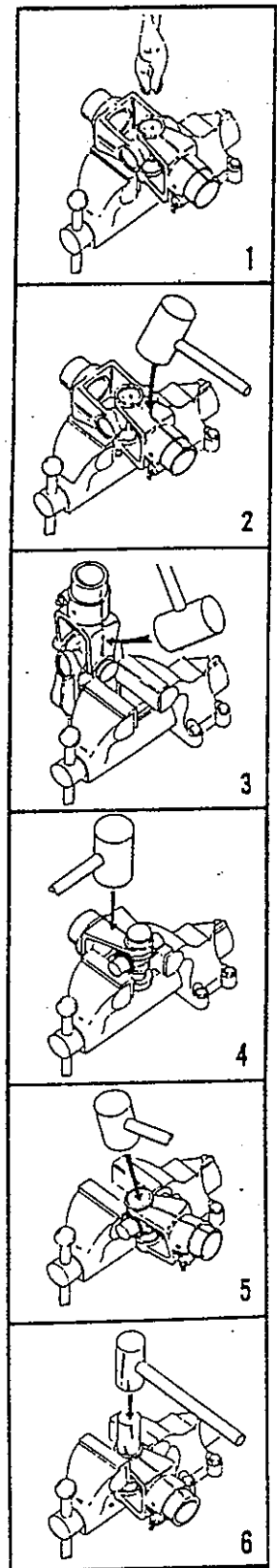
DISASSEMBLY PROCEDURE:

1. Remove the four snap rings as shown in Figure #1.
2. Position the joint in an open vise, with each ear of one yoke supported by a vise jaw. Figure #2
3. With a soft hammer or mallet, strike the top ear of the unsupported yoke as indicated by the arrow in Figure #2. This will drive the top bushing outward approximately 3/8 of an inch.
4. Grip the loosened bushing in the vise as shown in Fig. #3. Drive the yoke off the bushing by striking the yoke ear with a mallet in the direction of the arrow. (Fig. #3)
5. This same procedure should be followed to remove the bushing that is directly opposite the one in Step 4. After this, the yoke itself may be removed.
6. To remove the remaining two bushings, support the cross as shown in Figure #4. Make certain that the vise jaws are covered with brass protectors. By striking the yoke ear as indicated by the arrow in Figure #4, the remaining bushings can be removed by repeating the procedure called for in Step 4 & Figure #3.

ASSEMBLY PROCEDURE:

DURING REASSEMBLY, BE SURE THAT THERE IS NO DIRT ON THE TRUNNIONS OF THE CROSS OR IN THE BUSHINGS!

1. Start one bushing in the yoke ear and position the center cross through the yoke. Drive the first bushing down flush with the outside surface of the ear as shown in Fig. #5. Support the underside of the ear so as not to spring the yoke.
2. Clamp the ear in the vise as shown in Figure #6. Use a punch of the same diameter as the bushing, drive the bushing past the snap ring groove, and insert a snap ring.
3. Position the cross and drive in the opposite bushing as described in Steps 1 & 2, and insert a snap ring.
4. Assemble the second yoke in the same manner.
5. To insure proper seating, and to eliminate any possible tightness, strike the forged surfaces of the yoke ears with a mallet. This will insure a free flexing joint.
6. Lubricate with a good grade of multipurpose grease.



HARDWARE PART NUMBER LISTING

1050/1060-TOW R031797

All hex head bolts up to and including 7/16" dia are grade 5 unless otherwise specified. All fasteners are NC thread unless otherwise specified.

HEX NUTS AND WASHERS

SIZE	Hex Nuts	Lock Nuts	Jam Nuts	Flat Washer	Lock Washer
#10-32	171-606			171-525	171-605
1/4"	170-125	170-069	171-386	170-301	170-124
5/16"	170-119	170-028		170-127	170-118
3/8"	170-007	170-047	170-022	170-244	170-006
7/16"	170-062	170-239	170-046	170-138	170-061
1/2"	170-004	170-042	170-036	170-040	170-003
5/8"	170-011	170-031	170-037	170-066	170-010
3/4"	170-017	170-185	170-035	170-015	170-016
7/8"	171-776			170-131	172-003
1"				170-122	171-021

HEX HEAD BOLTS

Bolt Size	Part No				
1/4 x 3/4	170-803	3/8 x 3	170-380	1/2 x 5	171-412
1/4 x 7/8	171-094	3/8 x 3-1/2	170-292	1/2 x 8-1/2	170-504
1/4 x 1	170-310	3/8 x 4	170-877	1/2 x 11	170-506
1/4 x 1-1/2	170-068	3/8 x 4-1/2	170-519	5/8 x 1 (Grade 5)	171-087
1/4 x 2-3/4	171-203	3/8 x 4-1/2 (Gr 5-black oxide)	171-318	5/8 x 1-1/4	171-366
1/4 x 3	171-403	3/8 x 5	170-493	5/8 x 1-1/2	170-153
5/16 x 5/8	170-532	3/8 x 5-1/2	170-593	5/8 x 1-3/4 (Tap Bolt-Gr 5)	170-030
5/16 x 3/4	170-262	3/8 x 6-1/2	171-291	5/8 x 2 (Grade 5)	170-009
5/16 x 7/8	170-256	7/16 x 3/4	170-265	5/8 x 2 (Tap Bolt)	171-772
5/16 x 1	170-027	7/16 x 1	170-032	5/8 x 2-1/2 (Tap Bolt)	170-129
5/16 x 1-1/4	170-188	7/16 x 1-1/4	170-354	5/8 x 2-1/2	172-381
5/16 x 1-1/2	170-372	7/16 x 1-1/2	170-059	5/8 x 3	170-258
5/16 x 1-3/4	170-263	7/16 x 2	170-356	5/8 x 3-1/2	170-038
5/16 x 2	170-376	7/16 x 2-1/2	170-379	5/8 x 2-3/4	172-356
5/16 x 2-1/2	170-369	7/16 x 3	170-270	5/8 x 4	170-371
5/16 x 3	170-295	7/16 x 5-1/2	170-377	5/8 x 4-1/2	170-067
5/16 x 3-1/4	171-639	7/16 x 6	170-378	5/8 x 5	170-065
5/16 x 4 (Tap Bolt)	170-293	1/2 x 3/4	171-252	5/8 x 5-1/2 (Grade 5)	172-421
5/16 x 4-1/2	170-294	1/2 x 1	170-149	5/8 x 6	170-381
3/8 x 3/4	170-439	1/2 x 1-1/4	170-373	5/8 x 9-1/2	171-039
3/8 x 7/8	170-268	1/2 x 1-1/2	170-002	3/4 x 2	170-058
3/8 x 7/8 (soc. hd.capscrew)	172-044	1/2 x 1-3/4	171-774	3/4 x 2 (Grade 5)	171-768
3/8 x 1	170-054	1/2 x 2	170-050		
3/8 x 1 (RH. Machine screw)	170-347	1/2 x 2 (cap screw GR 5)	171-802		
3/8 x 1-1/4	170-005	1/2 x 2-1/4	172-387		
3/8 x 1-1/2	170-368	1/2 x 2-1/2	170-319		
3/8 x 1-3/4	172-383	1/2 x 2-1/2 (tap bolt)	171-099		
3/8 x 2	170-245	1/2 x 2-1/2 (Grade 5)	170-885		
3/8 x 2-1/4	170-320	1/2 x 2-3/4	172-007		
3/8 x 2-1/4 (Round Head)	170-375	1/2 x 3	170-168		
3/8 x 2-1/2	170-257	1/2 x 3 (Grade 5)	172-490		
3/8 x 2-1/2 (Full thread)	170-128	1/2 x 3-1/2	170-167		
		1/2 x 4	171-509		
		1/2 x 4-1/2	171-573		

An asterisk (*) at the end of a part number (XXX-XXX*) indicates that the part is no longer used in production for this application. Superscript letters (XXX-XXX^a) refer to footnotes and/or illustration boxes.

HARDWARE PART NUMBER LISTING

1050/1060-TOW R031797

HEX HEAD BOLTS CONT....

3/4 x 2 (Grade 8)	171-877
3/4 x 2-1/4	171-275
3/4 x 2-1/2	170-374
3/4 x 3	170-014
3/4 x 3-1/2	170-195
3/4 x 3-1/2 (Grade 8)	171-899
3/4 x 4	170-419
3/4 x 4-1/2 (Grade 5)	170-846
3/4 x 6 (Grade 5)	171-116

TRUSS HEAD BOLTS

#6-32 x 3/4	172-416
#8-32 x 1-1/2	171-210
#10-32 x 3/4	171-604
#10-32 x 1	172-882
1/4 x 1/2	170-123
1/4 x 3/4	170-193
1/4 x 1	170-194
5/16 x 1 (Grade 5)	170-117

CARRIAGE BOLTS

1/4 x 1-1/4	170-311
1/4 x 1-1/2	170-355
1/4 x 2	170-299
1/4 x 2-1/2	171-394
1/4 x 2-3/4	170-508
1/4 x 3	170-509
5/16 x 1	170-370
5/16 x 1-1/2	170-296
5/16 x 2-1/2	171-395
5/16 x 5-1/2	170-494
3/8 x 3-1/2	171-283
3/8 x 4-1/2	170-191
3/8 x 5	170-495
3/8 x 6-1/2	171-174
3/8 x 8	170-297
3/8 x 13-1/2	170-300

1/2 x 6-1/2	171-098
1/2 x 9	171-255

ZERKS

1/4-28	170-023
1/4-28 - 45	170-148
1/4-28 - 90	170-049
1/4 NPT	170-277
1/8 NPT	170-865
1/8 NPT-45	170-864
1/8 NPT-65	170-215
1/8 NPT-90	170-866

COTTER PINS

1/16 x 1/2	170-992
3/32 x 3/4	170-364
1/8 x 3/4	170-177
1/8 x 1	170-045
1/8 x 1-1/4	170-033
1/8 x 1-1/2	170-382
5/32 x 1	170-421
5/32 x 1-1/2	170-236
5/32 x 3	170-135
3/16 x 1-1/4	170-991
3/16 x 1-1/2 (linch pin)	170-800
3/16 x 2	170-115
7/32 x 1-3/4	171-834
1/4 x 1-1/2	170-521
1/4 x 2	170-056

SET SCREWS

1/4 x 1/4	170-247
5/16 x 5/16	170-248
5/16 x 1/2	170-254
5/16 x 1/4 NF	170-993
5/16 x 5/16 NF	170-825
5/16 x 5/8 NF	170-456
3/8 x 1/4	170-856
3/8 x 3/8	170-151
3/8 x 1/2 (nylock)	170-857
3/8 x 3/4 (sq head)	170-289
3/8 x 3/4 (sq hd drilled)	170-290
3/8 x 1	170-021
3/8 x 1/2 NF	171-469
7/16 x 7/16	170-288
7/16 x 1 (sq head)	170-147
1/2 x 5/8	170-249
1/2 x 1	170-438
1/2 x 1-1/4 (half dog point)	171-085
5/8 x 5/8	170-250
3/4 X 3/4 (knurled)	170-251

ROLLER CHAIN**CONNECTOR LINKS**

#50-2R	170-094
#50	170-088
#60-2R	170-095
#60	170-089
#60H	171-102
#80	170-090
#80H	170-821
#100	170-091
#100H	171-969
#120	170-092
#140	170-093
#160	170-888

OFFSET LINKS

#50	170-096
#50-Double roller	170-102
#60-Double roller	170-103
#60	170-097

KNIGHT MANUFACTURING CORP. PO BOX 167 BROADHEAD, WI 53520
 OFFICE: (608) 897-2131 PARTS/SERVICE: (608) 897-2125 FAX: (608) 897-2561

PART NUMBER INDEX

1050/1060-TOW R031797

101-244	25	170-002	35	170-120	5,19	170-345	25
101-360	11	170-003	35	170-122	23,35,36	170-347	35
101-480	11	170-004	35	170-124	35	170-354	35
101-485	3	170-005	35	170-125	23,31,35	170-355	36
101-552	3	170-006	35	170-127	35	170-356	35
101-593	13	170-007	3,35	170-128	35	170-364	5,9,7,36
101-614	13	170-008	7,9	170-129	35	170-366	32
101-643	13	170-009	35	170-131	35	170-367	32
101-644	13	170-010	35	170-135	36	170-368	35
101-645	13	170-011	35	170-138	3,35	170-369	35
102-048	15	170-012	19	170-142	7,9	170-370	36
102-049	15	170-014	36	170-147	36	170-371	35
102-065	15	170-015	35	170-148	36	170-372	35
102-066	15	170-016	35	170-149	35	170-373	35
102-354	7,9	170-017	35	170-151	9,11,19,36	170-374	36
102-355	7,9	170-021	36	170-153	35	170-375	35
102-356	7	170-022	35	170-154	32	170-376	35
102-357	9	170-023	5,7,11,26,27,36	170-155	32	170-377	35
102-358	11	170-027	35	170-161	23,25	170-378	35
102-359	11	170-028	35	170-166	3	170-379	35
102-363	5	170-030	35	170-167	35	170-380	35
102-364	5	170-031	35	170-168	17,35	170-381	35
102-365	5	170-032	35	170-170	11	170-382	36
102-366	23	170-033	36	170-177	36	170-419	36
102-367	23	170-035	35	170-185	35	170-421	36
102-368	7	170-036	35	170-188	35	170-438	36
102-369	9	170-037	35	170-191	3,36	170-439	35
102-370	15	170-038	35	170-193	36	170-456	36
102-371	9	170-040	35	170-194	36	170-478	7,9
102-376	7	170-042	3,17,35	170-195	36	170-479	11
102-377	9	170-045	36	170-215	36	170-490	32
102-379	3	170-046	35	170-220	26,27	170-493	35
130-128	11	170-047	28,35	170-235	25	170-494	36
131-321	3	170-049	3,36	170-236	13,15,36	170-495	36
131-488	19	170-050	35	170-239	35	170-500	3
131-675	23	170-051	17	170-244	35	170-504	35
131-776	9	170-054	19,35	170-245	35	170-506	3,35
131-802	23	170-056	13,15,36	170-247	36	170-508	36
131-882	5	170-057	5	170-248	36	170-509	31,36
132-042	3	170-058	35	170-249	5,9,36	170-519	35
132-704	3	170-059	35	170-250	36	170-521	36
132-759	25	170-060	17	170-251	36	170-532	35
132-760	25	170-061	35	170-254	36	170-534	19
133-162	17	170-062	35	170-256	35	170-535	19
133-565	13	170-065	35	170-257	35	170-536	19
133-733	19	170-066	35	170-258	35	170-537	19
133-916	7	170-067	35	170-262	35	170-539	19
134-155	7,9	170-068	35	170-263	35	170-541	19
134-179	5	170-069	25,35	170-265	35	170-550	19
134-431	11	170-073	23,25	170-268	35	170-555	19
134-434	13	170-074	23,25	170-270	35	170-593	35
134-824	15	170-088	36	170-277	36	170-605	19
134-843	15	170-089	36	170-288	36	170-620	25
136-010	5	170-090	7,9,36	170-289	36	170-632	19
136-087	17	170-091	36	170-290	36	170-637	19
136-088	17	170-092	36	170-292	35	170-638	19
136-089	17	170-093	36	170-293	35	170-639	19
136-100	5	170-094	36	170-294	35	170-640	19
136-105	3	170-095	36	170-295	35	170-641	19
136-122	5	170-096	36	170-296	36	170-642	19
136-125	23	170-097	36	170-297	36	170-643	19
136-126	23	170-098	7	170-299	36	170-645	19
136-129	30	170-102	36	170-300	36	170-720	28
136-130	30	170-103	36	170-301	25,35	170-776	26,27
136-170	3	170-110	3	170-310	35	170-800	7,9,11,36
136-171	3	170-115	36	170-311	36		
136-190	5	170-117	36	170-316	17		
136-231	9	170-118	35	170-319	35		
170-000	17	170-119	35	170-320	35		

An asterisk (*) at the end of a part number (XXX-XXX*) indicates that the part is no longer used in production for this application. Superscript letters (XXX-XXX^A) refer to footnotes and/or illustration boxes.

PART NUMBER INDEX

1050/1060-TOW R031797

170-803	35	171-395	36	171-830	13	173-130	21
170-809	5,25	171-403	25,35	171-831	13	173-131	21
170-812	32	171-410	17	171-832	13	173-132	21
170-813	32	171-412	35	171-834	36	173-139	21
170-814	32	171-442	25	171-877	36	173-140	21
170-815	32	171-457	26,27	171-880	19	173-141	21
170-821	36	171-458	26	171-881	19	173-143	21
170-825	5,36	171-460	25	171-882	19	173-144	21
170-835	9	171-463	25	171-883	19	173-146	21
170-846	36	171-469	7,9,36	171-899	36	173-147	21
170-856	36	171-503	25	171-913	32	173-149	21
170-857	36	171-509	35	171-915	32	173-150	21
170-859	25	171-525	35	171-940	23	173-152	21
170-864	36	171-543	26	171-969	36	173-153	21
170-865	7,9,13,15,36	171-544	26	171-991	32	180-658	30
170-866	36	171-545	27	171-992	32		
170-868	32	171-550	26,27	172-003	35		
170-877	35	171-570	25	172-006	7,9,11		
170-885	35	171-573	35	172-007	35		
170-888	36	171-581	26,27	172-021	19		
170-894	9	171-585	11	172-044	35		
170-895	9	171-604	36	172-171	32		
170-896	9	171-605	35	172-229	13		
170-919	15	171-606	35	172-258	28		
170-920	15	171-610	31	172-259	28		
170-921	15	171-611	31	172-260	17,28		
170-922	15	171-612	31	172-262	28		
170-926	15	171-613	31	172-263	28		
170-927	15	171-614	31	172-312	15		
170-928	15	171-615	31	172-356	35		
170-939	5,7,9	171-619	25	172-360	15		
170-950	5,7,9	171-621	26	172-361	15		
170-977	25	171-621	27	172-362	15		
170-991	36	171-639	35	172-370	32		
170-992	36	171-643	7	172-381	35		
170-993	36	171-674	26	172-383	35		
171-020	11	171-675	26,27	172-384	9		
171-021	35	171-677	26	172-387	35		
171-030	23,25	171-678	26	172-396	15		
171-039	35	171-679	26,27	172-416	36		
171-051	19	171-680	27	172-421	35		
171-085	36	171-681	27	172-447	27		
171-087	35	171-682	27	172-481	15		
171-092	23	171-683	27	172-490	35		
171-093	23	171-708	28	172-773	19		
171-094	23,35	171-712	32	172-786	32		
171-098	36	171-757	28	172-882	36		
171-099	35	171-758	28	172-888	32		
171-102	36	171-759	28	172-889	32		
171-116	36	171-760	28	172-890	32		
171-124	19	171-761	28	173-046	17		
171-137	7	171-762	28	173-055	3		
171-151	25	171-768	35	173-056	3		
171-172	19	171-772	35	173-057	7		
171-174	36	171-774	35	173-058	5		
171-182	25	171-776	35	173-059	11		
171-203	25,35	171-802	35	173-060	5		
171-210	36	171-809	13	173-061	25		
171-252	35	171-813	28	173-064	5		
171-255	36	171-814	31	173-066	21		
171-275	36	171-815	13	171-068	23		
171-283	3,36	171-823	13	173-083	32		
171-291	35	171-824	13	173-085	32		
171-318	35	171-825	13	173-089	32		
171-366	35	171-826	13	173-090	32		
171-386	35	171-827	13	173-125	21		
171-394	36	171-828	13	173-126	21		
		171-829	13	173-129	21		

KNIGHT MANUFACTURING CORP. PO BOX 167 BRODHEAD, WI 53520
 OFFICE: (608) 897-2131 PARTS/SERVICE: (608) 897-2125 FAX: (608) 897-2561