



***KNIGHT***

# ***ProSpread Spreader***

## **1160**

# **Trailer Type Parts Manual**

### **Table of Contents**

Abbreviations .....	2
Using This Listing .....	3
Front End and Floor Parts .....	5
Chains and Tighteners - Horizontal Beaters .....	6
Chains and Tighteners - Horizontal Beaters .....	7
Rear Drive Parts - Horizontal Beaters .....	8
Chains and Tighteners - Vertical Beaters .....	10
Rear Apron Drive Parts - Vertical Beaters .....	11
Horizontal Beater Assembly .....	12
Vertical Beater Assembly .....	14
Vertical Beater - Gearcase Assembly .....	16
Gate and Slop Pan Parts .....	18
Apron Flow Control (optional) .....	19
Hydraulic Swing Out Beater Parts (optional) .....	20
Hydraulic Hoses and Fittings (endgate only option) .....	21
Hydraulic Components (slop pan and endgate option) .....	22
Hydraulic Components (Apron Drive) .....	23
Undercarriage Parts .....	24
Undercarriage Parts .....	26
Scale Option .....	28
Silage Kit and Apron Speed Up Kit Components .....	30
Rear Light Components .....	31
Apron Gear Box Components .....	32
Right Angle Gearbox - Superior - 2 Shaft .....	34
PTO Driveline Parts (Non CV) 1000 RPM - 21 Spline .....	35
PTO Driveline Parts (Non-CV) 1000 RPM - 20 Spline .....	36
PTO Assy, Cat.4 1000 RPM - 21 Spline .....	37
PTO Assy, Cat.4 1000 RPM - 20 Spline .....	38
PTO Assy, Cat 5 .....	39
Decals .....	40
Paint .....	40
Hardware Part Number List .....	41
Part Number Index .....	43

Catalog Part Number 005923      Unit Serial Number \_\_\_\_\_

Operator Instruction Manual for this unit: 005922

## Abbreviations

Assy .....	Assembly
A/R .....	As Required
B .....	Bolt
Brg .....	Bearing
BSN .....	Before Serial Number
Btm .....	Bottom
C-Bolt .....	Carriage Bolt
Cttr .....	Cotter
CV .....	Constant Velocity
Deg .....	Degree
Dia .....	Diameter
ea .....	Each
eq or Equiv .....	Equivalent
Fln .....	Flanged Lock Nut
Fw .....	Flat Washer
Ga .....	Gauge
Gr or Grd .....	Grade
Hd .....	Head
Hfw .....	Heavy Flat Washer
Hyd .....	Hydraulic
ID .....	Inside Diameter
Ill or Illus .....	Illustration
Ind .....	Indicator
Jn .....	Jam Nut
Kw .....	Keyway
LH .....	Left Hand
Ln .....	Lock Nut
Lw .....	Lock Washer
Mtg Hrd .....	Mounting Hardware
NC .....	National Coarse
NF .....	National Fine
NPT .....	National Pipe Thread
OD .....	Outside Diameter
Pc(s) .....	Piece(s)
PD .....	Pitch Diameter
PTO .....	Power Takeoff (shaft)
Qty .....	Quantity
RH .....	Right Hand
SN .....	Serial Number
SHCS .....	Socket Head Cap Screw
Spk, or Spkt or Sprkt .....	Sprocket
Sq .....	Square
SS .....	Stainless Steel
SSB .....	Stainless Steel Bolt
St .....	Straight
Std .....	Standard
STS .....	Self Tapping Screw
UASN .....	Used After Serial Number
UBSN .....	Used Before Serial Number
W .....	With
W/O .....	With Out

## Using This Listing

This listing uses a number indentation system to specify the parts of an assembly. Any number which is indented to the right, indicates that it is a component of the item to the upper left. Example:

<u>Part no</u>	<u>Qty</u>	<u>Description</u>
102-AAA	#	Assembly A
102-BBB	#	Sub-Assembly B
(Component of A)		
140-xxx	#	Sub-Component of B
140-xxx	#	Sub-Component of B
102-CCC	#	Sub-Assembly C
(Component of A)		
etc.		

Using this system, the subassemblies and their components are included if an **Assembly** is ordered. Similarly, the components of a subassemblies are included if a subassembly is ordered.

The quantity (Qty) associated with an assembly, represents the number of times an assembly could be shown in the drawing. The subassembly quantity however, is the number of times a subassembly is used to build one assembly. Similarly, the component quantity refers to the number of times a given component is found in one subassembly.

MODEL AND SERIAL NUMBER INFORMATION is located near the front left hand corner (Fig. A). The model number, serial number and part number should be known when asking service personnel for parts.

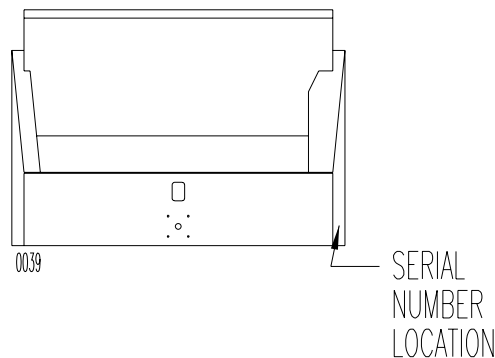


Fig. A

The serial number may consist of a number, or a number with a letter prefix. When referring to serial number breaks in the text of this manual, a serial number with a prefix will have been manufactured after a serial number without a prefix (A0001 made after 0123). Likewise, a higher prefix letter would indicate manufacture after a lower prefix letter (B0001 made after A0123). Therefore, if the text refers to units manufactured after serial number B0123, this would include "B" series numbers greater than 0123, and all numbers with a higher letter prefix.

If you cannot find the part you need, be as descriptive as possible when placing an order:

**Sprockets:** give the bore size, number of teeth, and size of keyway.

**Roller chain:** give the size of chain (stamped on the side of each link) and number of links.

**Shafting:** give the diameter, length, and quantity and size of keyways.

Hardware is generally not included with parts. If you need any hardware, check the size, the length, and the grade (Fig. B), then check the hardware list in this manual for the part numbers.

**All hex head bolts are grade 5, and nuts are grade 5 unless otherwise stated.**

The hardware listing also includes listings for zerks, cotter pins, set screws, and roller chain links.

**The illustrations in this manual are meant to be used only as a guide for identifying parts and locating their relative positions.**

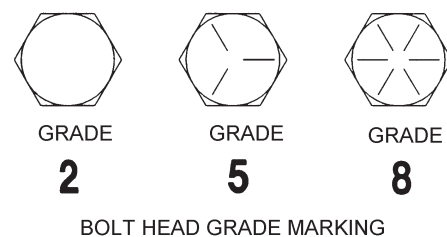
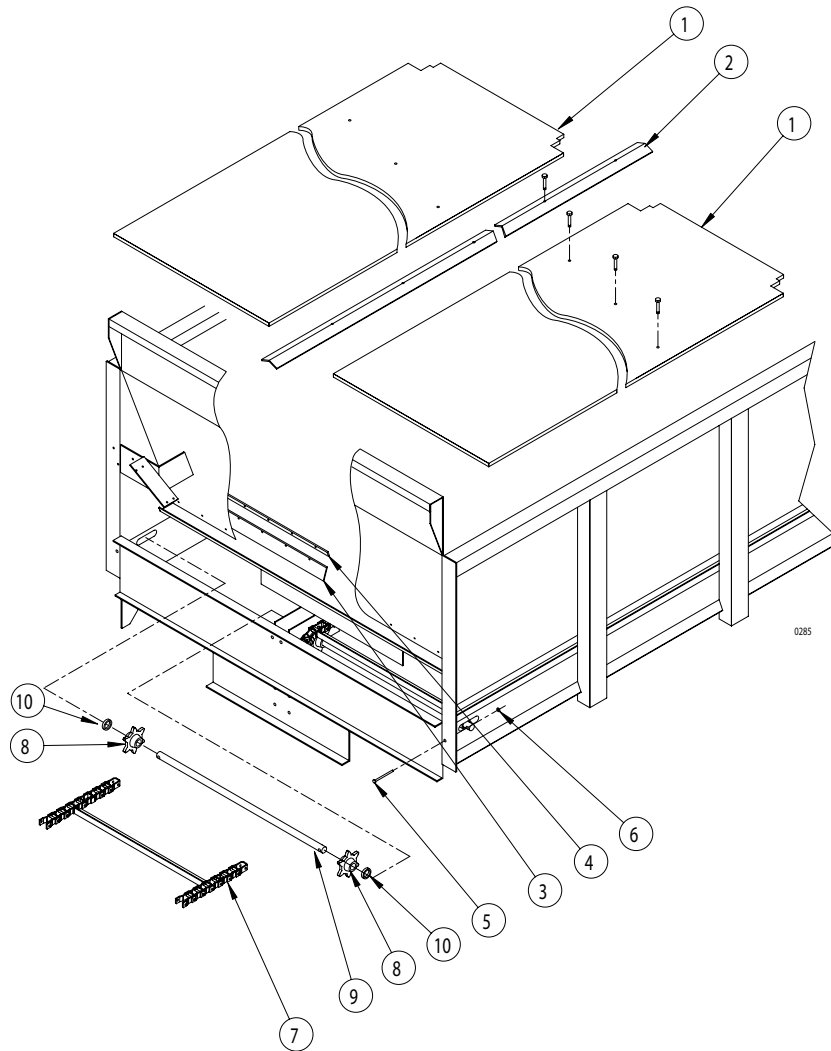


Fig. B

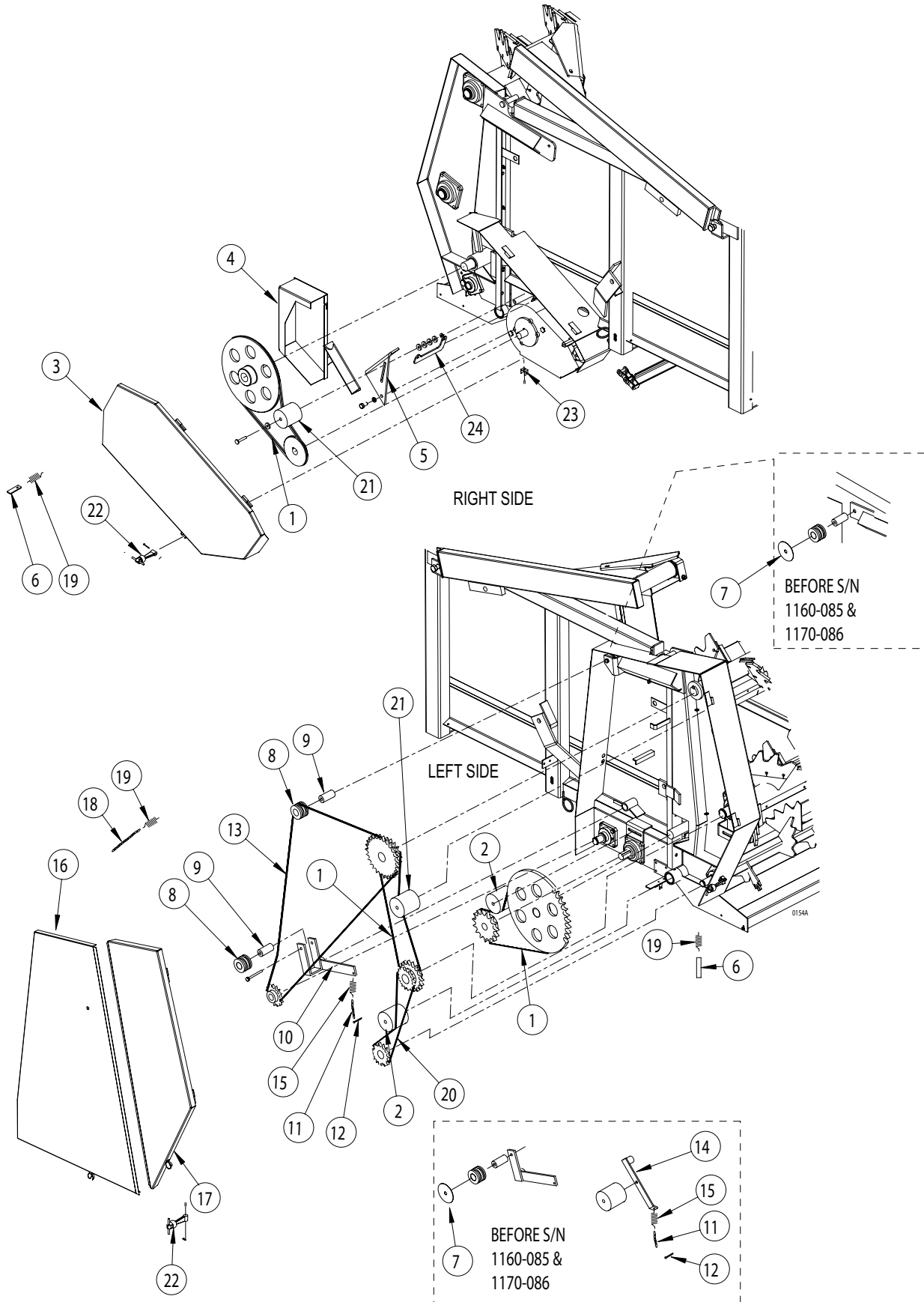
Left Blank Intentionally

## Front End and Floor Parts



REF	PART NO	QTY	DESCRIPTION
1	143-889	2	Plastic Floor; 3/4" x 39 1/2" x 217 1/2" Mtg Hrd: 5/16" x 1 1/4" B, Fln (3 ea) Fw (6 ea)
2	140-189	1	Floor Hold Down; Mtg Hrd: 3/8" x 2 1/2" B, Fw, Ln (12 ea)
3	136-105	1	Front Belt Flap, 1/4" x 5 1/2" x 81 1/2"
4	132-042	1	Belt Retaining Strip; Mtg Hrd: 1/4" x 7/8" B, Nut (14 ea)
5	170-506	4	Apron Adjustment Bolt; 1/2" NC X 11"
6	170-042	4	Lock Nut; 1/2"
7	173-489	2	Apron Chain Assy; AL667XH 206, includes Connector Link
	102-379	A/R	Chain Repair Slat; AL667XH includes (1) Slat Assy includes (4) Connector Links
	173-193	A/R	Connector Link; AL667XH
8	101-485	4	Idler Sprocket; 6 Tooth
9	142-030	2	Shaft; Apron Idler 1 1/4" x 41 3/8"
10	142-029	2	Collar; Spacer

# Chains and Tighteners - Horizontal Beaters



## Chains and Tighteners - Horizontal Beaters

REF	PART NO	QTY	DESCRIPTION
1	171-338	3	Roller Chain; 80-1-76 Pitch
	170-447 <sup>A</sup>	2	Roller Chain; 100-1-61 Pitch
2	134-086	2	Tightener Block; 3" Dia x 3" LG; Mtg Hrd: Apron drive:1/2" x 4" B, (7) Fw, LNut, Mtg Hrd: Beater Drive:1/2" x 4" B, Fw, Lw, Nut (1ea)
3	105-315 <sup>E</sup>	1	Shield RH Front
	104-045 <sup>F</sup>	1	Shield RH Front
	102-598 <sup>D</sup>	1	Shield RH Front
4	102-599	1	Shield RH Rear; Mtg Hrd:3/8" X 7/8" B, Lw, Nut
5	140-135	1	Tightener Strut; (weld to rear shield) Mtg Hrd: 5/8" X 1 1/4" B, Lw (1ea)
6	133-552 <sup>D</sup>	2	Rubber Spring Handle
7	140-144 <sup>A</sup>	2	Retainer Washer
8	140-347	2	Tube; Round Plastic, Mtg Hrd: 1/2" X 4" B, Fw, LNut (1ea)
9	140-149	2	Round; 1 1/2" dia x 2 9/16" LG
10	102-597 <sup>C</sup>	1	Chain Tightener Arm
11	170-478	1	Machine Chain; #4 x 17 Links
	170-478 <sup>B</sup>	2	Machine Chain; #4 x 12 Links
12	170-800	1	Clinch Pin; 3/16" x 1 1/2"
	170-800 <sup>B</sup>	2	Clinch Pin; 3/16" x 1 1/2"
13	174-731	1	Roller Chain; 80-1-148 Pitch
	173-479 <sup>A</sup>	1	Roller Chain; 80-1-149 Pitch
14	102-596 <sup>A</sup>	1	Chain Tightener Arm
15	172-751	1	Spring; Extension, 8 1/4" LG x 1 1/2" OD
	172-751 <sup>B</sup>	2	Spring; Extension, 8 1/4" LG x 1 1/2" OD
16	105-362 <sup>E</sup>	1	Shield LH Front
	104-047 <sup>F</sup>	1	Shield LH Front
	103-505 <sup>D</sup>	1	Shield LH Front
17	105-831 <sup>E</sup>	1	Shield LH Rear
	104-046 <sup>F</sup>	1	Shield LH Rear
	103-655 <sup>D</sup>	1	Shield LH Rear; Mtg Hrd: 5/16" x 1" B, Lw, Nut (3ea) Fw (2ea)
18	171-045 <sup>D</sup>	2	Machine Chain; #4 x 22 Links
19	170-110 <sup>D</sup>	4	Spring; Extension, 3 15/16" LG x 1.93" OD
20	170-897	1	Roller Chain; 60-1-74 Pitch, w/ connector link
21	134-155	2	Tightener Block; 3" Dia x 2-1/2" LG, Mtg Hrd: Beater Drive:1/2" x 3" B, Fw, Fw, LNut (1ea)
22	170-950	1	Retainer Strap
	171-173	1	Clevis Pin, 1/4" x 1-1/2"
	170-992	1	Cotter Pin, 1/16" x 1/2"
23	170-939	1	Retainer Strap Mount Bracket (bolted to gearbox)
24	146-866 <sup>E</sup>	1	Sheet, 7ga x 3" x 7"

A: This item is no longer used on serial numbers (1160-085) and after.

B: This item is used in additional locations on serial numbers (1160-084) and before.

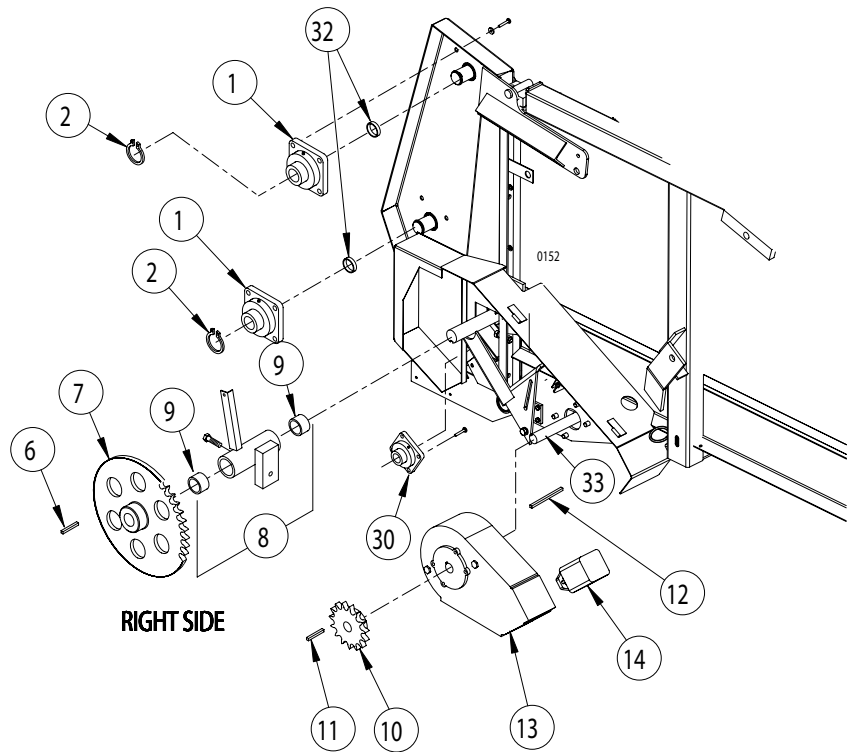
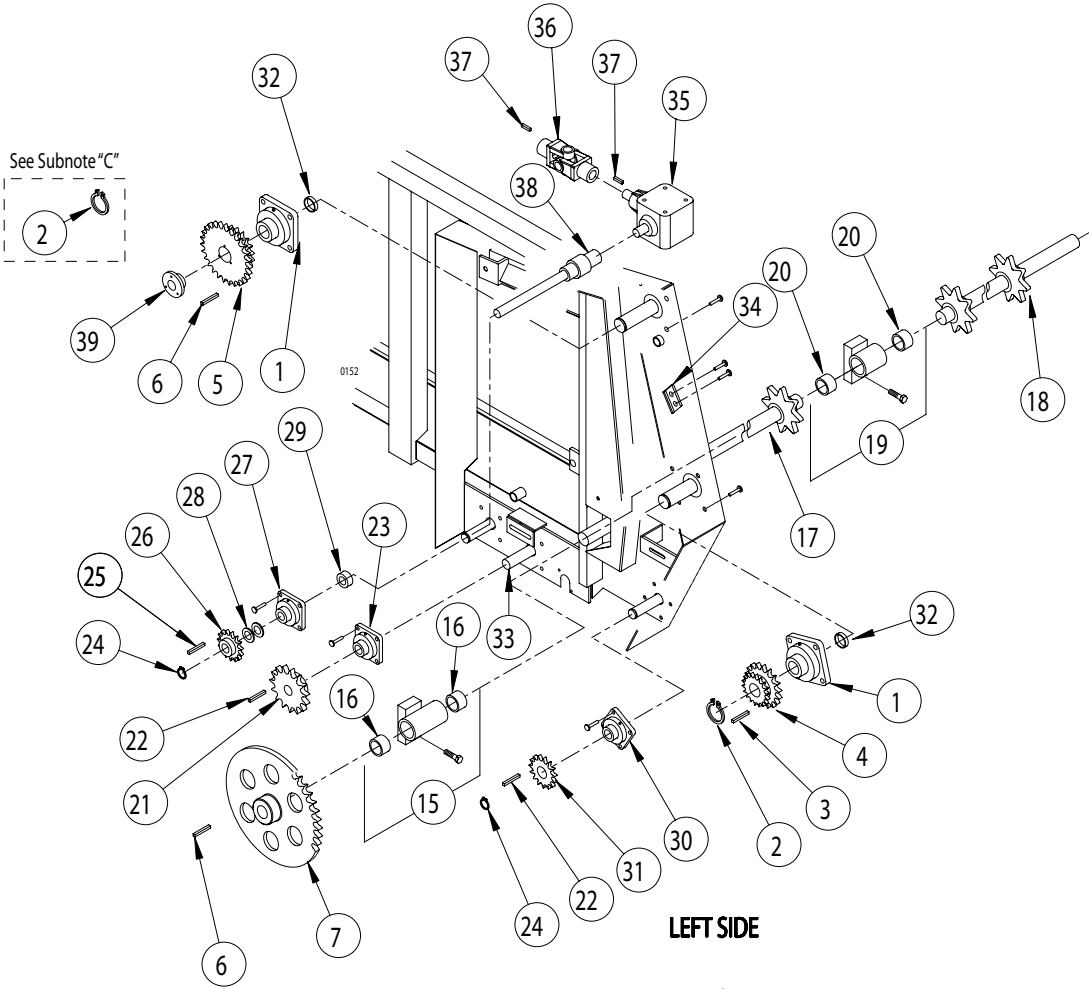
C: If ordering Item 10 (102-597), Item 7 (140-144) is no longer needed.

D: Parts used before 1160 serial number C0001 and 1170 serial number C0001.

E: Use after 1160 and 1170 serial number G0001.

F: Parts used between 1160 and 1170 serial number C0001 and G0001.

### Rear Drive Parts - Horizontal Beaters



**Rear Drive Parts - Horizontal Beaters**

REF	PART NO	QTY	DESCRIPTION
1	170-008	4	Bearing, Flange 2"; Mtg Hrd: 5/8" x 1 3/4" B, LW, Nut (4ea)
2	170-142 <sup>C</sup>	3	Snap Ring 2" External (Tru-Arc 5100-200)
3	170-019	1	Key, Square 1/2" x 2"
4	140-084	1	Sprocket; 60-18/80-18, 2" Bore
5	175-621	1	Sprocket; 80-27/80-18, 2" Bore Taper Lock
	140-057 <sup>C</sup>	1	Sprocket; 80-27/80-18, 2" Bore
6	170-898	3	Key, Square 1/2" x 2 1/2"
7	135-606	2	Sprocket, 80B-53, 2" Bore
	136-090 <sup>A</sup>	2	Sprocket; 100B-42, 2" Bore
8	102-589	1	Bearing, Apron RH ( 170-023 Grease Zerk); Mtg Hrd: 5/8" x 2 1/2" B, Ln
9	173-060	2	Bushing, Straight 2" ID x 2 1/2" OD x 1 1/2" Bronze
10	140-355	1	Sprocket, 80B-20, 1 1/2 Bore
	131-882 <sup>A</sup>	1	Sprocket; 100B-15, 1 1/2" Bore
11	170-012	1	Key, Square 3/8" x 2"
12	171-411	1	Key, Square 3/8" x 6 3/16"
13	140-086	1	Gearcase Assy, 43.6:1 Apron Drive; Mtg Hrd: 5/8" x 1 1/4" B, Lw (4ea)
14	176-490	1	Motor, Hydraulic 6.8 cu in, SAE "A" Flange Mtg Hrd: 1/2" x 1 1/4" B, Lw (4ea) (171-883 Key)
	174-685 <sup>D</sup>	1	Motor, Hydraulic 6.8 cu in; Mtg Hrd: 1/2" x 1 1/4" B, Lw (4ea) (171-883 Key)
15	102-588	1	Bearing, Apron LH ( 170-023 Grease Zerk); Mtg Hrd: 5/8" x 2 1/2" B, Ln
16	173-060	2	Bushing, Straight 2" ID x 2 1/2" OD x 1 1/2" Bronze
17	102-580	1	Apron Shaft Drive Assembly LH
18	102-579	1	Apron Shaft Drive Assembly RH
19	102-363	1	Bearing, Apron Center (170-023 grease zerk); Mtg Hrd: 5/8" x 3 1/2" B, Ln
20	173-060	2	Bushing, Straight 2" id x 2 1/2" od x 1 1/2" Bronze
21	140-354	1	Sprocket, 80B-20, 1.50 Bore
	140-083 <sup>A</sup>	1	Sprocket; 100B-15 1 1/2", Bore
22	172-894	2	Key, Square 3/8" x 2 3/8"
23	170-057	1	Bearing, Flange 1 1/2"; Mtg Hrd: 1/2" x 1 3/4" B, Lw, Nut (4ea)
24	170-499	2	Snap Ring 1 3/8" External (Tru- Arc 5160-137)
25	171-409	1	Key, Square 3/8" x 1 1/4"
26	131-895	1	Sprocket; 80B-15, 1 3/8" Bore -3/8" K.W.
27	171-585	1	Bearing, Flange 1 3/8"; Mtg Hrd: 1/2" x 1 3/4" B, Lw, Nut (4ea)
28	171-146	3	Spacer Washer; As Required
29	172-193	1	Collar, Shaft 1 3/8"
30	170-000	2	Bearing, Flange 1 3/8"; Mtg Hrd: 1/2" x 1 1/2" B, Lw, Nut (4ea)
31	140-154	1	Sprocket; 60B-18, 1 3/8" Bore
32	140-138	4	Spacer Ring
33	140-089	1	Dual Drive Shaft; 1 1/2" x 96 1/2"
34	170-895	1	Socket-SMV Mount; Mtg Hrd: 5/16" x 3/4" Bolt, Lw, Nut (2ea)
35	173-366	1	Gearcase; Assy, 1.35:1 Mtg Hrd: 1/2" x 1" Bolts,LW (4ea) (For details see pg. 30)
36	174-688	1	PTO, Joint, Universal
37	171-642	2	Key; Sq, 5/16" x 5/16" x 1 3/4"
38	103-634 <sup>B</sup>	1	Beater Drive Shaft Assembly (with overrunning clutch)
39	175-622	1	Bushing, Split Taper, 2" Bore, 1/2" Keyway, Mtg Hrd: 3/8" x 1-1/4" Capscrew (3ea)

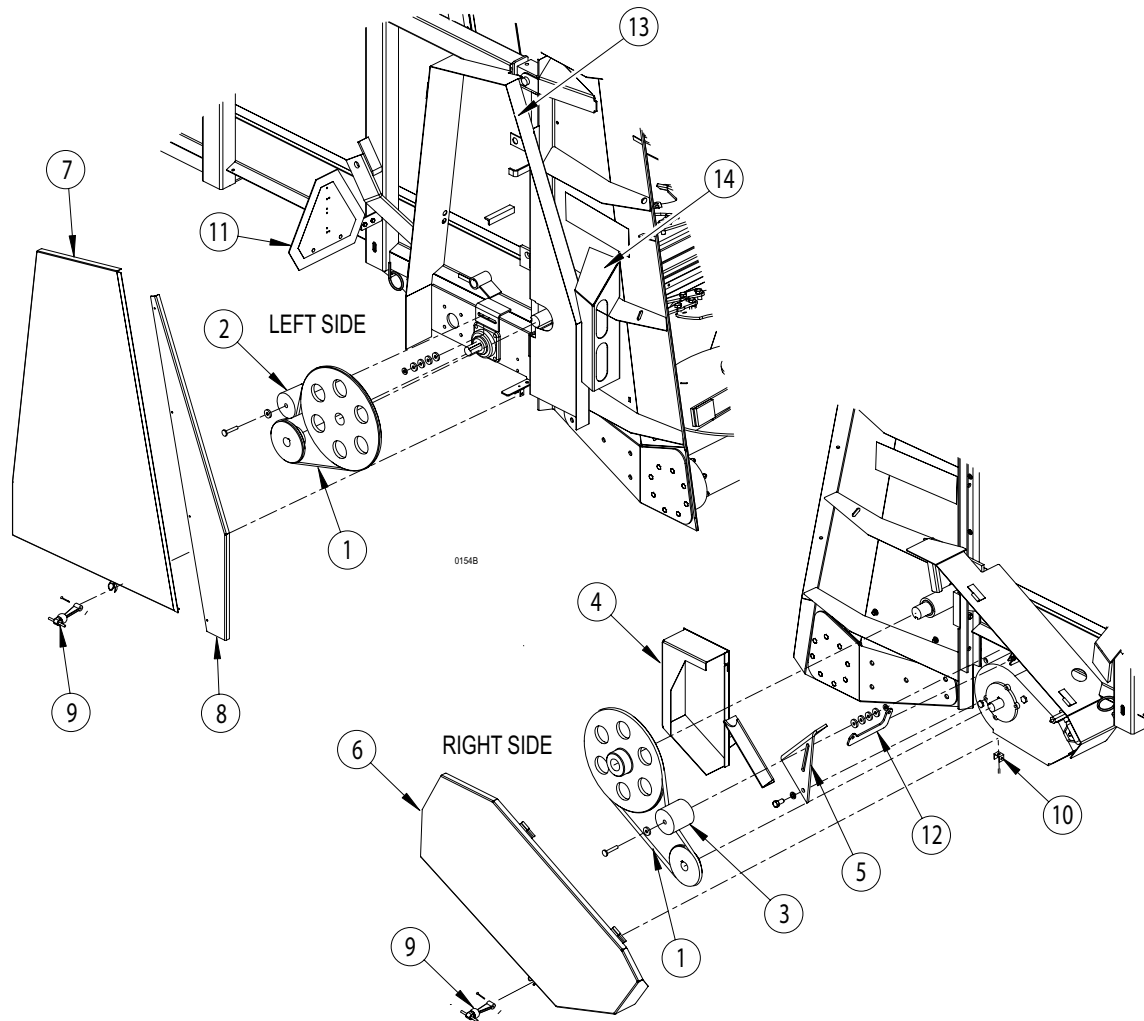
A: This item is no longer used on serial numbers (1160-085) and after.

B: This item is used on serial numbers (1160-081) and after.

C: Parts used before February 2002. Snap ring not used with taperlock sprocket.

D: Used before serial number E0001.

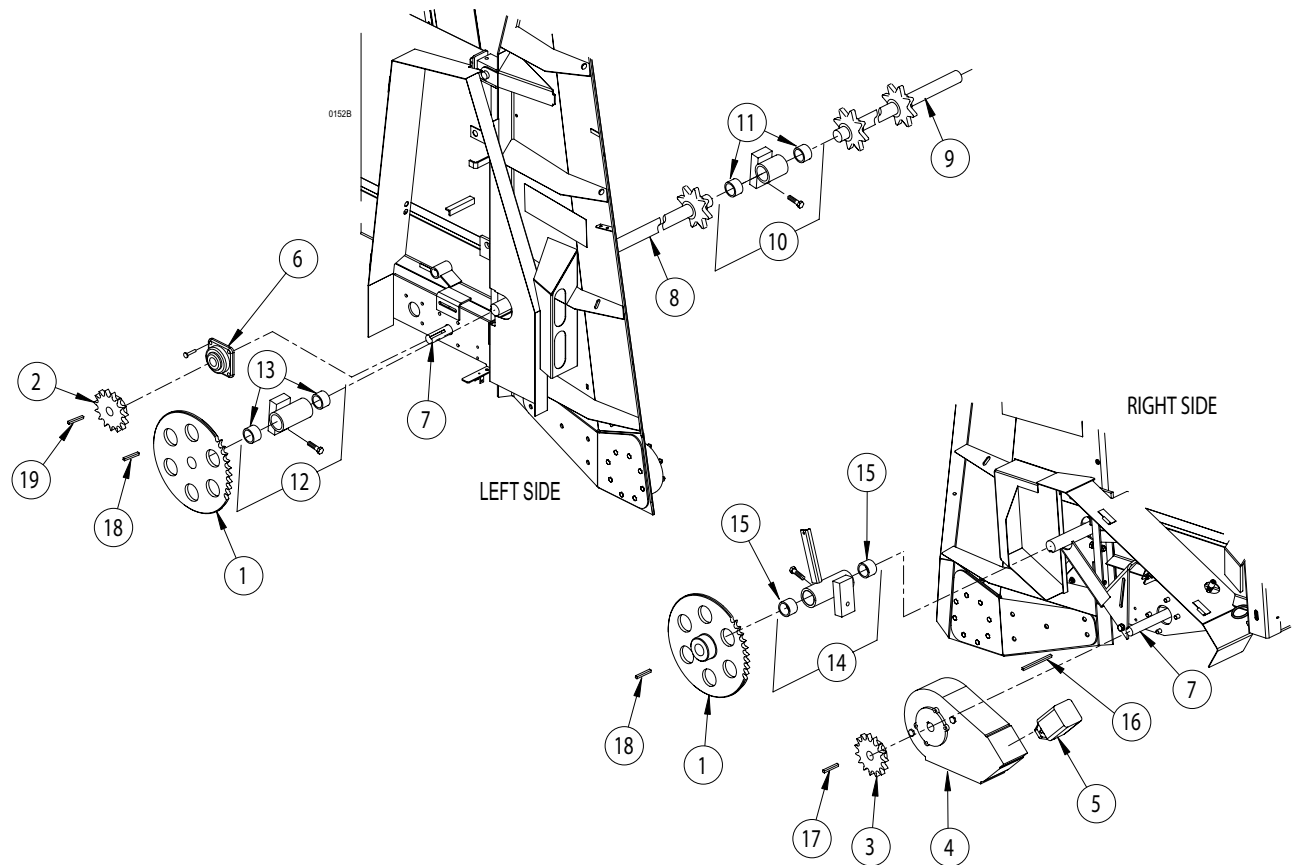
## Chains and Tighteners - Vertical Beaters



REF	PART NO	QTY	DESCRIPTION
1	171-338	2	Roller Chain; 80-1-76 Pitch
2	134-086	1	Tightener Block; 3" Dia x 3" LG; Mtg Hrd: 1/2" x 5" B, (4) Fw, Lw, Nut
3	134-155	1	Tightener Block; 3" Dia x 2 1/2" LG; Mtg Hrd: 1/2" x 4" B, (4) Fw, Lw, Nut
4	104-124	1	RH Apron Shield
5	140-135	1	Tightener Strut; (weld to rear shield) Mtg Hrd: 5/8" x 1 1/4" B, Lw (1 ea)
6	105-315	1	Apron Drive Shield; Mtg Hrd: 3/8" x 7/8" B, Lw, Nut
	104-045 <sup>A</sup>	1	Apron Drive Shield; Mtg Hrd: 3/8" x 7/8" B, Lw, Nut
7	105-362	1	Shield Weldment
	104-047 <sup>A</sup>	1	Shield Weldment
8	145-707	1	Left Rear Shield
	104-046 <sup>A</sup>	1	Left Rear Shield
9	170-950	2	Retainer Strap
	171-173	1	Clevis Pin, 1/4" x 1 1/2"
	170-992	1	Cotter Pin, 1/16" x 1/2"
10	170-939	1	Retainer Strap Bracket (bolted to gearbox)
11	131-321	1	SMV Sign Assy. Mtg Hrd: 1/4" x 1 Trusshead Bolt, Lw, Nut (3 ea)
12	146-866	1	Sheet, 7ga x 3" x 7"
13	145-705	1	LH Rear Beater Shield
14	145-709	1	Sheet, 12ga x 15.65" x 23.55"

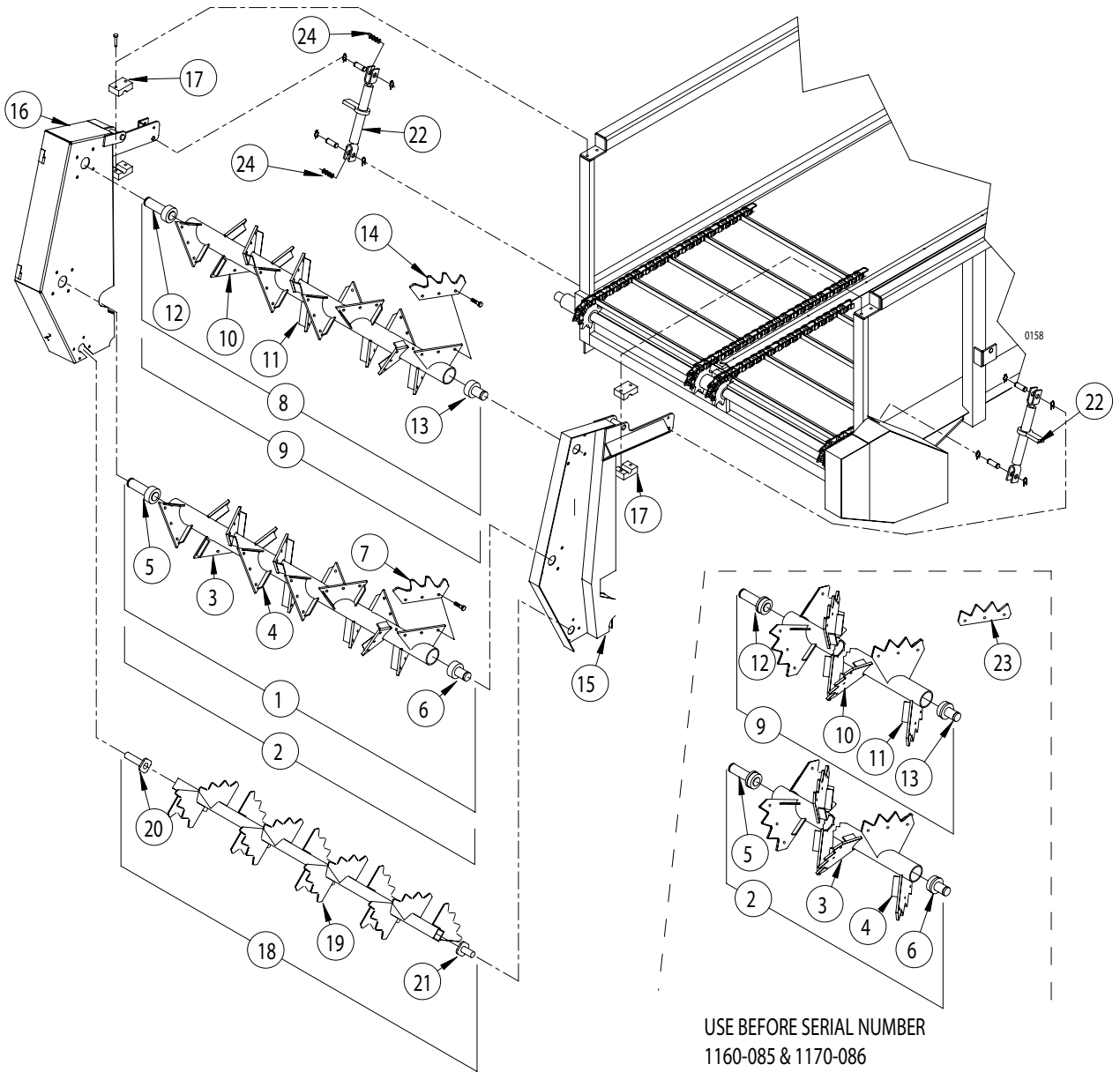
A: Use before serial number 1160-G0001

## Rear Apron Drive Parts - Vertical Beaters



REF	PART NO	QTY	DESCRIPTION
1	135-606	2	Sprocket; 80B-53, 2" Bore
2	140-354	1	Sprocket; 80B-20, 1 1/2" Bore
3	140-355	1	Sprocket; 80B-20, 1 1/2" Bore
4	140-086	1	Gearcase Assy, 43.6:1 Apron Drive; Mtg Hrd: 5/8" x 1 1/4" B, Lw (4ea)
5	174-685	1	Motor, Hydraulic 6.8 cu in; Mtg Hrd: 1/2" x 1 1/4" B, Lw (4ea) (171-833 Key)
6	170-057	1	Bearing, Flange 1 1/2"; Mtg Hrd: 1/2" x 1 3/4" B, Lw, Nut (4ea)
7	140-089	1	Dual Drive Shaft; 1 1/2" x 96 1/2"
8	102-580	1	Apron Shaft Drive Assembly LH
9	102-579	1	Apron Shaft Drive Assembly RH
10	102-363	1	Bearing, Apron Center (170-023 Grease Zerk); Mtg Hrd: 5/8" x 3 1/2" B, Ln
11	173-060	2	Bushing, Straight 2" id x 2 1/2" od x 1 1/2" Bronze
12	102-588	1	Bearing, Apron LH (170-023 Grease Zerk); Mtg Hrd: 5/8" x 2 1/2" B, Ln
13	173-060	2	Bushing, Straight 2" id x 2 1/2" od x 1 1/2" Bronze
14	102-589	1	Bearing, Apron RH (170-023 Grease Zerk); Mtg Hrd: 5/8" x 2 1/2" B, Ln
15	173-060	2	Bushing, Straight 2" id x 2 1/2" od x 1 1/2" Bronze
16	171-411	1	Key, Square 3/8" x 6 3/16"
17	170-012	1	Key, Square 3/8" x 2"
18	170-898	2	Key, Square 1/2" x 2 1/2"
19	172-894	1	Key, Square 3/8" x 2 3/8"

# Horizontal Beater Assembly



USE BEFORE SERIAL NUMBER  
1160-085 & 1170-086

## Horizontal Beater Assembly

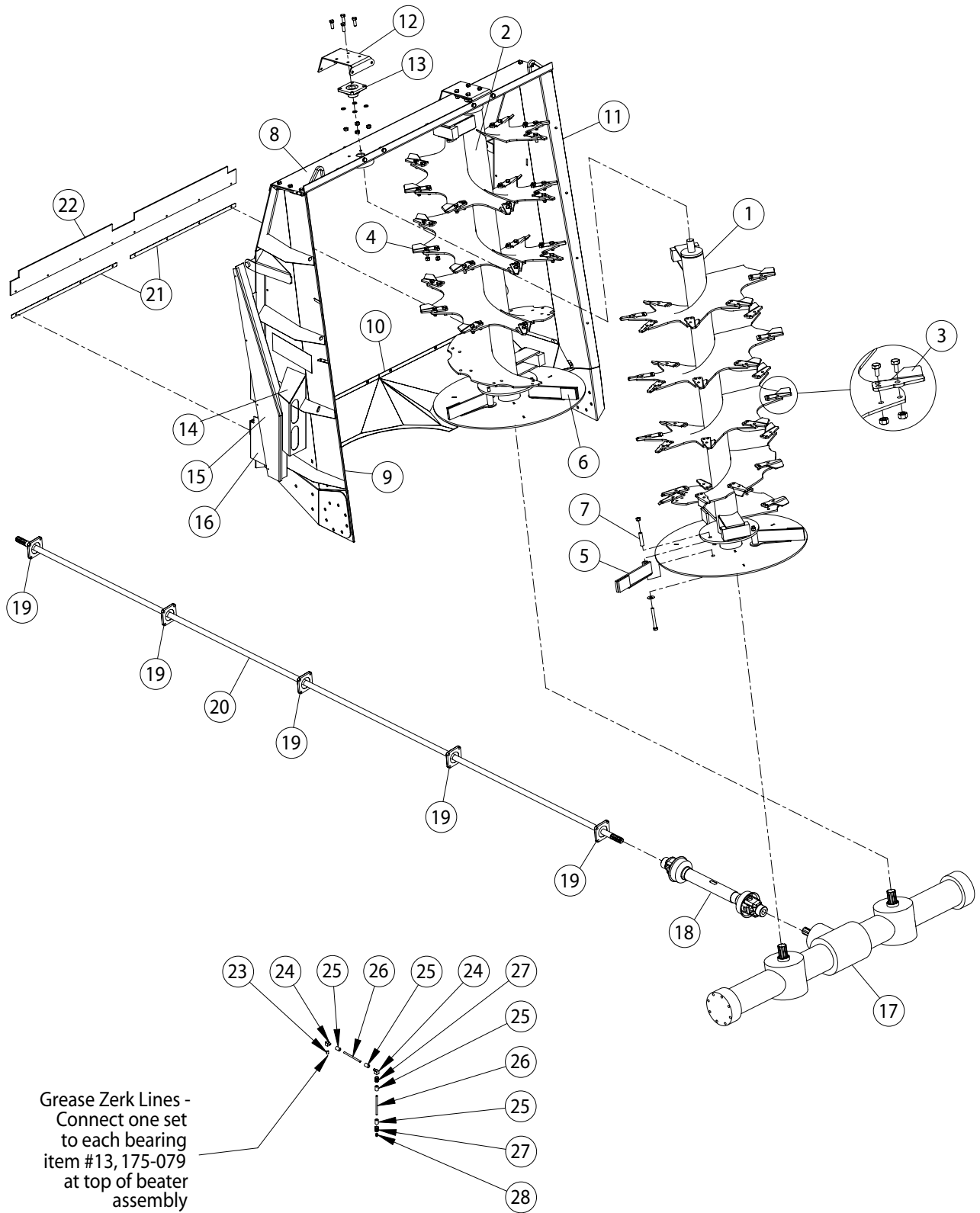
REF	PART NO	QTY	DESCRIPTION
1	105-190	1	Lower Beater Assembly 1160/1170
2	103-648	1	Lower Beater Weldment <b>20" Diameter</b>
	NLA <sup>B</sup>	1	Lower Beater Assembly <b>20" Diameter</b>
	NLA <sup>B</sup>	1	Lower Beater Assembly <b>24" Diameter</b>
3	140-346	16	Spade Paddle Mount (weld on)
	140-200 <sup>A</sup>	16	Beater Paddle <b>20" Diameter</b> (weld on)
	136-080 <sup>A</sup>	16	Beater Paddle <b>24" Diameter</b> (weld on)
4	136-082	16	Paddle Brace (weld on)
5	103-649	1	Beater Plug Assembly, LH (w-keyway) (weld on)
	102-590 <sup>A</sup>	1	Beater Plug Assembly, LH (w-keyway) (weld on)
6	103-650	1	Beater Plug Assembly, RH (weld on)
	102-591 <sup>A</sup>	1	Beater Plug Assembly, RH (weld on)
7	140-345	16	Beater Paddle (bolt on) Mtg Hrd: 1/2" x 1-3/4" B, Ln
8	105-191	1	Upper Beater Assembly 1160/1170
9	103-647	1	Upper Beater Weldment <b>20" Diameter</b>
	NLA <sup>B</sup>	1	Upper Beater Assembly <b>20" Diameter</b>
	NLA <sup>B</sup>	1	Upper Beater Assembly <b>24" Diameter</b>
10	140-346	16	Spade Paddle Mount (weld on)
	140-200 <sup>A</sup>	16	Beater Paddle <b>20" Diameter</b> (weld on)
	136-080 <sup>A</sup>	16	Beater Paddle <b>24" Diameter</b> (weld on)
11	136-082	16	Paddle Brace (weld on)
12	103-646	1	Beater Plug Assembly, LH (w-keyway) (weld on)
	102-576 <sup>A</sup>	1	Beater Plug Assembly, LH (w-keyway) (weld on)
13	103-650	1	Beater Plug Assembly, RH (weld on)
	102-591 <sup>A</sup>	1	Beater Plug Assembly, RH (weld on)
14	140-345	16	Beater Paddle (bolt on) Mtg Hrd: 1/2" x 1-3/4" B, Ln (Quantity shown for full replacement, upper and lower beaters)
15	103-654	1	Beater Panel, RH;
	102-583 <sup>A</sup>	1	Beater Panel, RH;
16	105-384	1	Beater Panel, LH;
	103-653 <sup>C</sup>	1	Beater Panel, LH;
	102-584 <sup>A</sup>	1	Beater Panel, LH;
17	140-092	4	Pivot block; Mtg Hrd: 1/2" x 4" B, Lw, Nut (2 ea side)
18	102-582	1	(optional) Lower Spinner Beater Assembly
19	136-678	16	Beater Paddle (weld on)
20	103-632	1	Beater Plug Assembly; LH (w-keyway) (weld on)
21	102-465	1	Beater Plug Assembly; RH (weld on)
22	140-156	2	Ratchet Jack (w/o Hydraulic Swing out Beater Option); 173-274 Pin, 173-275 Hairpin
23	136-081 <sup>A</sup>	32	Replacement Paddle Blade; Mtg Hrd: 1/2" x 1 3/4" B, Ln (2 ea) (Quantity shown for full replacement, upper and lower beaters)
24	170-122	7	Spacer Washer (to shim ratchet jack away from chains)

A: Use before serial number 1160-085

B: Welded beater assembly is no longer available sub to 20" beater weldment with bolt on paddles if 24" diameter is needed contact factory.

C: Use between serial number 1160-085 and 1160-G0001.

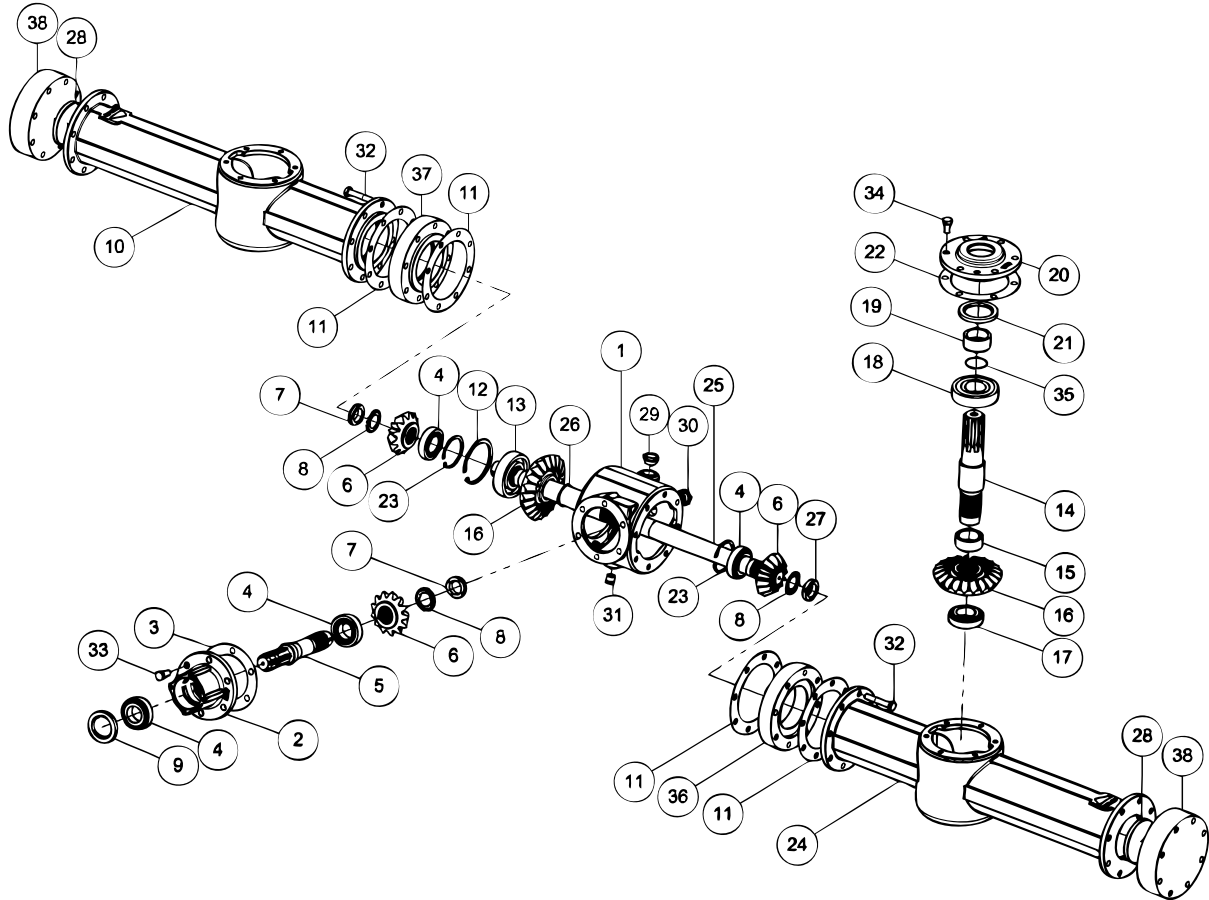
# Vertical Beater Assembly



## Vertical Beater Assembly

REF	PART NO	QTY	DESCRIPTION
1	105-043	1	Beater Assembly, LH, Mtg. Hrd: 5/8" x 1-3/4" Bolt, Lw, Nut (4 ea)
2	105-042	1	Beater Assembly, RH, Mtg. Hrd: 5/8" x 1-3/4" Bolt, Lw, Nut (4 ea)
3	144-912	32	Plate, VB LH Adj. Tip, Mtg. Hrd: 5/8" x 1-3/4" Bolt, Ln (2 ea)
	146-169	32	(Optional) Plate, VB LH Hardened Adj. Tip, Mtg. Hrd: 5/8" x 1-3/4" Bolt, Ln (2 ea)
4	144-913	32	Plate, VB RH Adj. Tip, Mtg. Hrd: 5/8" x 1-3/4" Bolt, Ln (2 ea)
	146-170	32	(Optional) Plate, VB RH Hardened Adj. Tip, Mtg. Hrd: 5/8" x 1-3/4" Bolt, Ln (2 ea)
5	104-838	3	VB Hammer, LH, Mtg. Hrd: 5/8" x 5-1/2" Bolt, Fw, Ln (2 ea)
6	104-839	3	VB Hammer, RH, Mtg. Hrd: 5/8" x 5-1/2" Bolt, Fw, Ln (2 ea)
7	176-428	6	Straight bushing, .64ID x .81OD x 3.50
8	105-047	1	Upper Frame, Mtg. Hrd: 5/8" x 1-1/2" Bolt, Fw, Ln (8 ea)
9	105-037	1	Beater Panel, LH, Mtg. Hrd: 5/8" x 1-1/4" Bolt, Fw, Lw, Nut (2 ea) 1/2" x 1-1/4" Bolt, 2-Fw, Lw, Nut
10	105-046	1	Spinner Shroud, Mtg. Hrd: 3/8" x 1" Carriage Bolt, Fw, Lw, Nut (10 ea)
11	105-038	1	Beater Panel, RH, Mtg. Hrd: 5/8" x 1-1/4" Bolt, Fw, Lw, Nut (2 ea) 1/2" x 1-1/4" Bolt, 2-Fw, Lw, Nut
12	145-691	2	Plate, 12ga, 8.66 x 17.79, Mtg. Hrd: 5/8" x 1-1/2" Bolt, Fw, Ln (8 ea)
13	175-079	2	Flange Bearing
14	145-709	1	Plate, 12ga x 15.65 x 23.55, Mtg. Hrd: 5/16" x 1-1/2" Bolt, Fw, Lw, Nut (3 ea)
15	145-707	1	Plate, 14ga x 17.23 x 55.94, Mtg. Hrd: 1/4" x 3/4" Bolt, Fw, Lw, Nut (4 ea)
16	145-705	1	Rear Beater Shield, LH
17	176-676	1	Gearcase Assembly, Mtg. Hrd: 1/2" x 4-1/2" Bolt, Lw, Nut (16 ea)
18	176-681	1	PTO Assembly - See page 33
19	170-000	5	Flange Bearing
20	146-159	1	Round, 1.38 x 216.00
21	146-163	2	Belt Retainer, 12ga
22	145-710	1	Rubber Belt, .25 x 6.00 x 80.50, Mtg. Hrd: 5/16" x 1" Bolt, Lw, Nut (8 ea)
23	172-823	2	Straight Adapter, 1/4"
24	175-912	4	90° Adapter
25	174-762	8	Pipe Coupling
26	180-768	9 ft	Copper Tube, 1/4"
	180-768	12 ft	Copper Tube, 1/4"
27	172-024	4	Straight Adapter, 1/8"
28	170-865	2	Zerk, Str, 1/8" NPT SAE

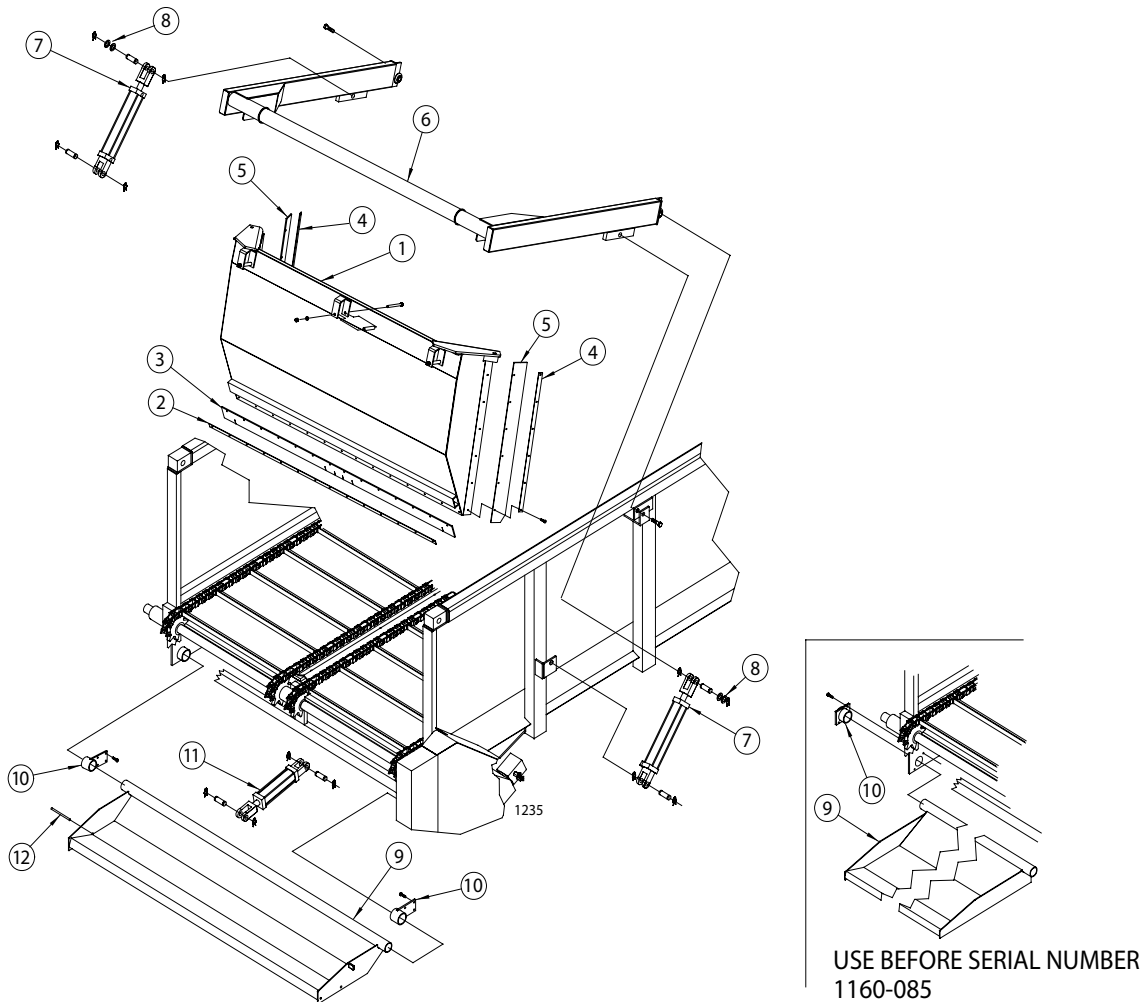
# Vertical Beater - Gearcase Assembly



## Vertical Beaters - Gearcase Assembly

REF	PART NO	QTY	DESCRIPTION
	176-676	1	Berma Gearcase Assembly
1	176-477	1	Gearcase, Center Housing
2	176-474	1	Gearcase, Input Hub
3	176-478	1	Gearcase, Gasket Input
4	176-455	4	Roller Bearing
5	176-475	1	Gearcase, Input Shaft
6	176-462	3	Bevel Gear
7	176-453	2	Nut, M40x1.5, Left
8	176-454	3	Washer, M40
9	176-476	1	Seal, Double-lip, 55 x 85 x 10
10	176-867	1	Gearcase, Housing RH
11	176-479	4	Gearcase, Gasket Side
12	176-457	1	Snapping, Inner 120
13	176-471	1	Ball Bearing, 6311
14	176-451	2	Gearcase, Splined Beater Shaft
15	176-431	2	Spacer
16	176-430	3	Gearcase, Bevel Gear, 22T
17	176-467	2	Roller Bearing
18	176-432	2	Ball Bearing, 6311 2RS
19	176-433	2	Spacer, Beater
20	176-452	2	Gearcase, Output Shaft Cover
21	176-464	2	Seal, Double-lip, 70 x 100 x 10
22	176-466	2	Gearcase, Gasket Output
23	176-456	2	Snapping, Inner 85
24	176-468	1	Gearcase, Housing LH
25	176-868	1	Gearcase, Drive Shaft
26	176-459	1	Snapping, Outer 55
27	176-463	1	Nut, M40 x 1.5
28	176-429	2	Plug, Gearcase
29	176-470	1	Gearcase, Breather Plug, 1"
30	176-458	1	Plug, Oil Level, 1"
31	176-460	1	Plug, 1/2"
32	176-874	16	Screw, M14 x 80
33	176-473	6	Screw, M14 x 35
34	176-465	12	Screw, M14 x 30
35	176-469	2	O-Ring, 2212
36	176-869	1	Gearcase, Spacer, LH
37	176-870	1	Gearcase, Spacer, RH
38	176-871	2	Gearcase, Spacer Ends

## Gate and Slop Pan Parts

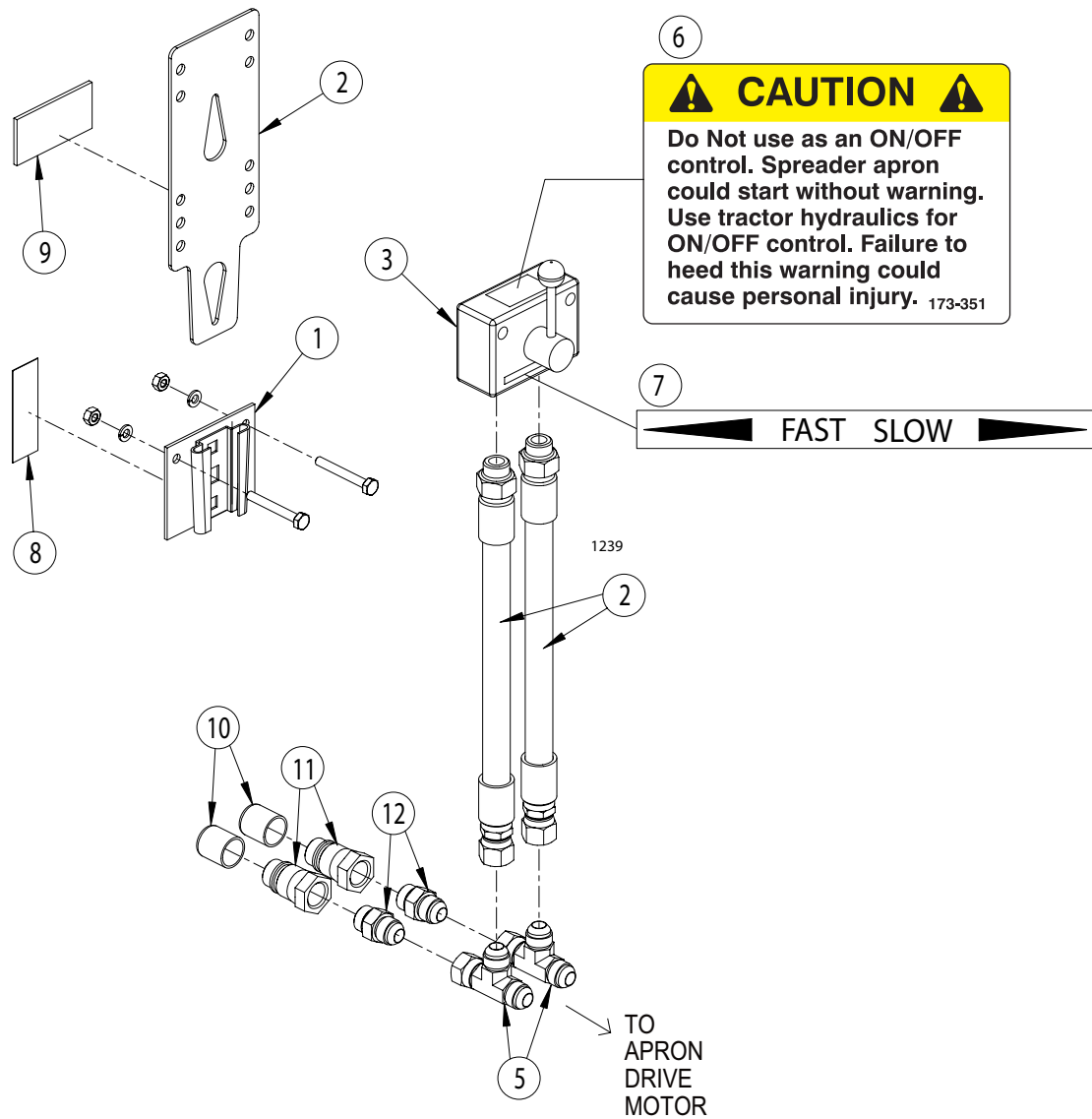


REF	PART NO	QTY	DESCRIPTION
1	105-048	1	Swinging Endgate Weldment; Mtg Hrd: 7/8" x 4" Bolt, Lock Nut (2 ea)
	300-140 <sup>B</sup>	1	Swinging Gate Kit; Mtg Hrd: 7/8" x 4" Bolt, Lock Nut (2 ea)
2	131-675	1	Belt Retainer, Bottom; Mtg Hrd: 1/4" x 7/8" Bolt, Nut (14 ea)
3	131-802	1	Belt Flap; Bottom 1/4" x 3 1/2" x 80 1/2"
4	141-824	2	Belt Retainer; Side, Mtg Hrd: 1/4" x 7/8" Bolt, Nut (6 ea)
	136-125 <sup>B</sup>	2	Belt Retainer; Side, Mtg Hrd: 1/4" x 7/8" Bolt, Nut (7 ea)
5	141-826	2	Belt Flap; Side, 1/4" x 3 1/2" x 41.44"
	136-126 <sup>B</sup>	2	Belt Flap; Side, 1/4" x 3 1/2" x 48 1/16"
6	105-049	1	Swinging Frame Weldment, Mtg Hrd: 1/2" x 5" Bolt, LW, Nut (3 ea)
7	175-685	2	Hydraulic Cylinder 2" x 18" (Seal Kit #170-075); 173-274 Pin, 173-275 Hairpin
8	170-122	4	Flat Washer, 1" (2 ea Cylinder)
9	103-661	1	Slop Pan Weldment
	102-593 <sup>A</sup>	1	Slop Pan Weldment
10	103-657	2	Slop Pan Mount; Mtg Hrd: 3/8" x 1 1/4" Bolt, LW, Nut (4 ea)
	102-594 <sup>A</sup>	1	Slop Pan Mount; Mtg Hrd: 3/8" x 1 1/4" Bolt, LW, Nut (2 ea)
11	175-686	1	Hydraulic Cylinder; 2" x 8" (Seal Kit #170-075); 173-274 Pin, 173-275 Hairpin
12	140-203	1	Indicator Hyd. Hose, 1/4" Id x 8" Mtg. Hrd: 5/16 lock flange nut, 5/16 Bolt

A: Use before serial number 1160-085

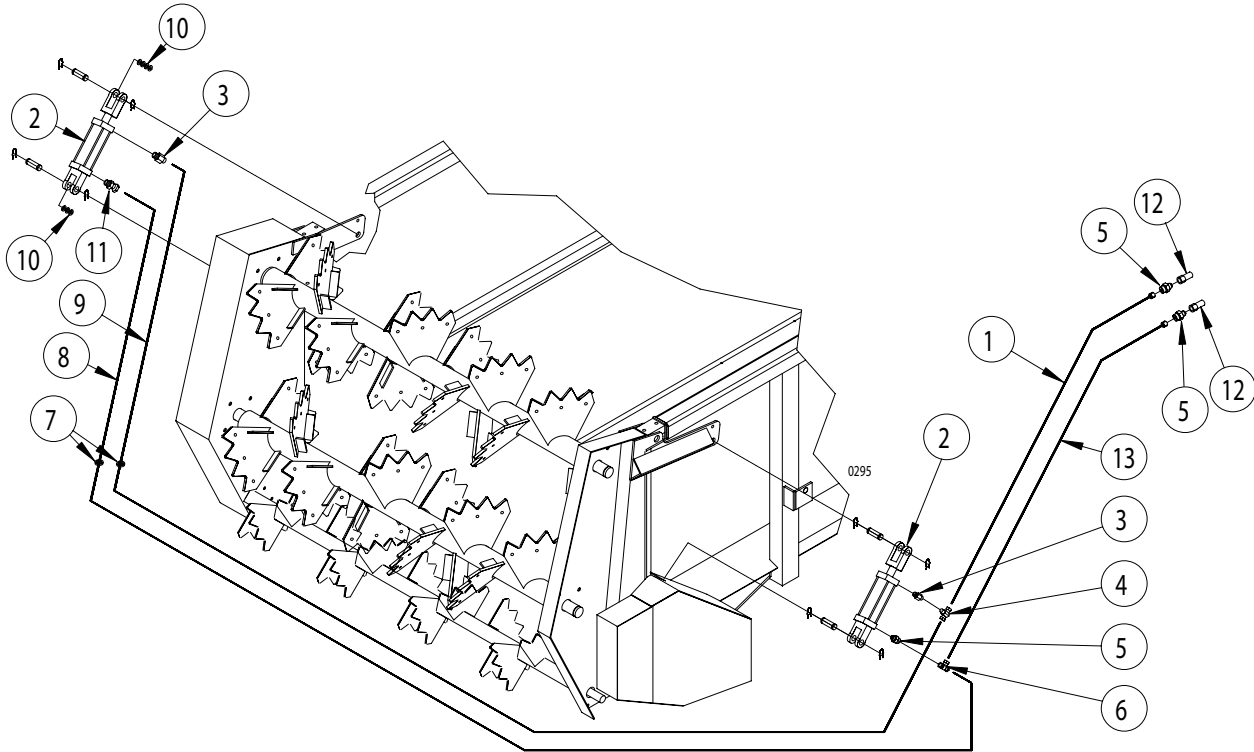
B: Use before serial number 1160-F0001 (Part 300-140 Swinging Endgate Kit replaces 103-656 Endgate Weldment which is no longer offered.)

## Apron Flow Control (optional)



REF	PART NO	QTY	DESCRIPTION
1	173-262	1	Valve, Flow Control
2	176-514	2	Hose, Assembly; 1/2" x 60" 100R1
3	175-709	2	Adapter, Tee; 08JFS x 08JM x 08JM
4	102-374	1	WC, Mount, Flow Control; Mtg Hrd: 1/4" x 2" Bolt, Lw, Nut (2 ea)
5	136-699	1	Sheet, 12ga x 3 1/2" x 10"
6	175-687	2	Adapter, Quick Coupler
7	176-064	2	Plastic Cap, .81" id
8	173-354	1	Foam Rubber, 1/8" x 1 1/2"
9	173-353	1	Foam Rubber, .02" x 1"
10	173-351	1	Decal; Caution, Do Not Use...
11	173-352	1	Decal; Info, Fast-Slow
12	175-700	2	Adapter, Str, 08OM x 08JM

## Hydraulic Swing Out Beater Parts (optional)

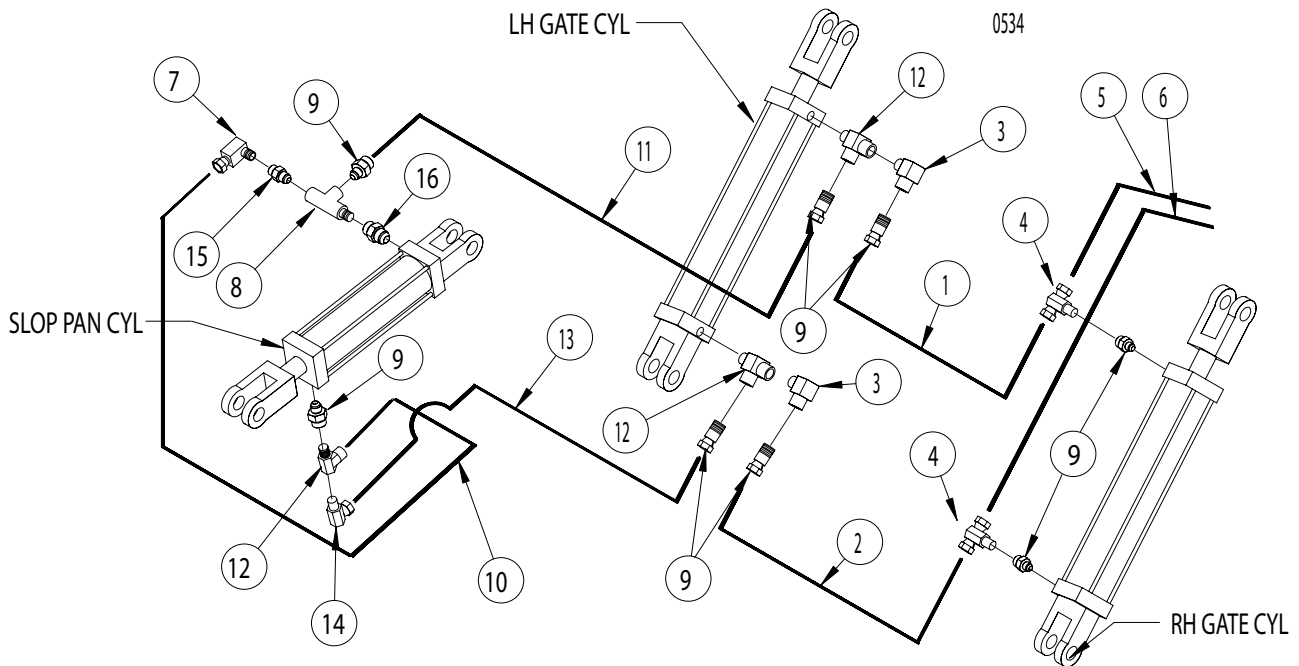


REF	PART NO	QTY	DESCRIPTION
1	176-493	1	Hose Assembly; 1/4" x 365" 100R7
	174-694 <sup>A</sup>	2	Hydraulic Hose; 1/4" x 402"
2	175-686	2	Hydraulic Cylinder; 2" x 8" (Seal Kit #170-075); 173-274 Pin, 173-275 Hairpin
	173-270 <sup>A</sup>	2	Hydraulic Cylinder; 2" x 8" (Seal Kit #170-075); 173-274 Pin, 173-275 Hairpin
3	143-499	2	Adapter; Restricted 08OM x 06JM x .04
	174-290 <sup>A</sup>	2	Adapter; Restricted 3/8" NPT x 3/8 NPT
4	175-922	1	Adapter Tee; 06JFS x 06JM x 06JM
	172-807 <sup>A</sup>	1	Service Tee; 3/8" F SW x 3/8" F SW x 3/8" M
5	175-675	2	Adapter; 08OM x 06JM
	173-483 <sup>A</sup>	2	Adapter; 3/8" NPT x 3/8 NPT
6	175-922	1	Adapter Tee; 06JM x 06JM x 06JFS
	173-268 <sup>A</sup>	1	Service Tee; 3/8" F SW x 3/8" F SW x 3/8" F SW
7	172-876	2	Grommet
8	175-906	1	Hose Assembly; 1/4" x 162" , 06JFS x 06JFS
	173-488 <sup>A</sup>	1	Hydraulic Hose; 1/4" x 153"
9	175-907	1	Hose Assembly; 1/4" x 170"
	171-129 <sup>A</sup>	1	Hydraulic Hose; 1/4" x 166 1/2"
10	170-122	7	Spacer Washer (to shim hydraulic cylinder away from chains)
11	175-675	1	Adapter, Straight 08OM x 06JM
	170-233 <sup>A</sup>	1	Adapter, Straight 3/8 F SW x 3/8 M SW
12	175-687	2	Adapter, Quick Coupler
	175-536 <sup>A</sup>	2	Pioneer Quick Coupler
13	176494	1	Hose Assembly, 1/4" x 345" 100R7

A: Use before serial number 1160-E0001



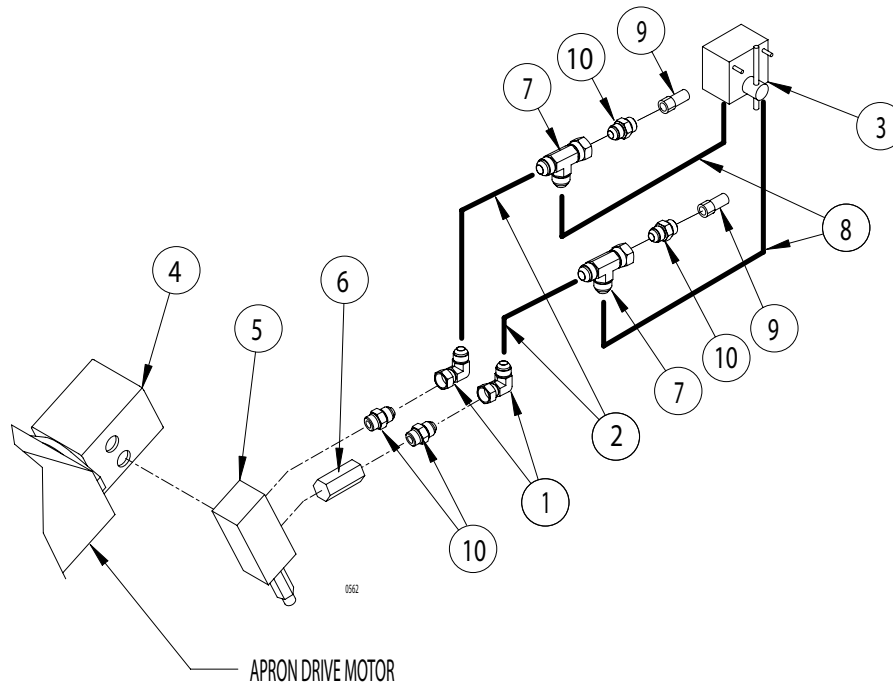
## Hydraulic Components (slop pan and endgate option)



REF	PART NO	QTY	DESCRIPTION
1	176-495	1	Hydraulic Hose Assembly; 1/2" x 115", 100R1
	174-730 <sup>A</sup>	1	Hydraulic Hose; 3/8" x 183", 100R7
2	176-496	1	Hydraulic Hose Assembly; 3/4" x 50", 100R4
	174-729 <sup>A</sup>	1	Hydraulic Hose; 3/8" x 138", 100R7
3	175-673	2	Adapter 90°, 06JFS x 06JM
	173-484 <sup>A</sup>	3	Elbow 90°, 3/8" M NPT x 3/8" F NPT
4	175-922	2	Adapter Tee; 06JFS x 06JM x 06JM
	172-807 <sup>A</sup>	2	Service Tee; 3/8" F SW x 3/8" F SW x 3/8" M
5	176-040	1	Hydraulic Hose Assembly; 1/4" x 330" 100R7
	174-692 <sup>A</sup>	1	Hydraulic Hose; 1/4" x 342"
6	176-493	1	Hydraulic Hose Assembly; 1/4" x 365"
	174-693 <sup>A</sup>	1	Hydraulic Hose; 1/4" x 361"
7	173-644 <sup>A</sup>	1	Elbow 90°; 1/4" M NPT x 3/8" F NPSM SW
8	175-932	1	Check Valve
	172-806 <sup>A</sup>	1	Check Valve
9	175-675	8	Adapter; 08OM x 06JM
	170-233 <sup>A</sup>	5	Adapter; 3/8" M NPT x 3/8" F NPSM SW
10	176-065	1	Hydraulic Hose Assembly; 1/4" x 14" 100R7, 06JFS x 06JFS
	173-490 <sup>A</sup>	1	Hydraulic Hose; 1/4" x 14"
11	175-926	1	Hydraulic Hose Assembly; 1/4" x 111" 100R7, 06JFS x 06JFS
	173-487 <sup>A</sup>	1	Hydraulic Hose; 1/4" x 106"
12	176-072	3	Adapter Tee, 06JM x 06JM x 06JFS
	173-653 <sup>A</sup>	3	Service Tee, 3/8" M x 3/8" F x 3/8" F
13	175-930	1	Hydraulic Hose Assembly; 1/4" x 102"
	173-486 <sup>A</sup>	1	Hydraulic Hose; 1/4" x 98"
14	171-030 <sup>A</sup>	1	Elbow 90°, 3/8" M NPT x 3/8" F NPSM SW
15	175-911	1	Adapter, Str, 06OM x 06JM
16	175-700	1	Adapter, Str, 08OM x 08JM

A: Use before serial number 1160-E0001

## Hydraulic Components (Apron Drive)

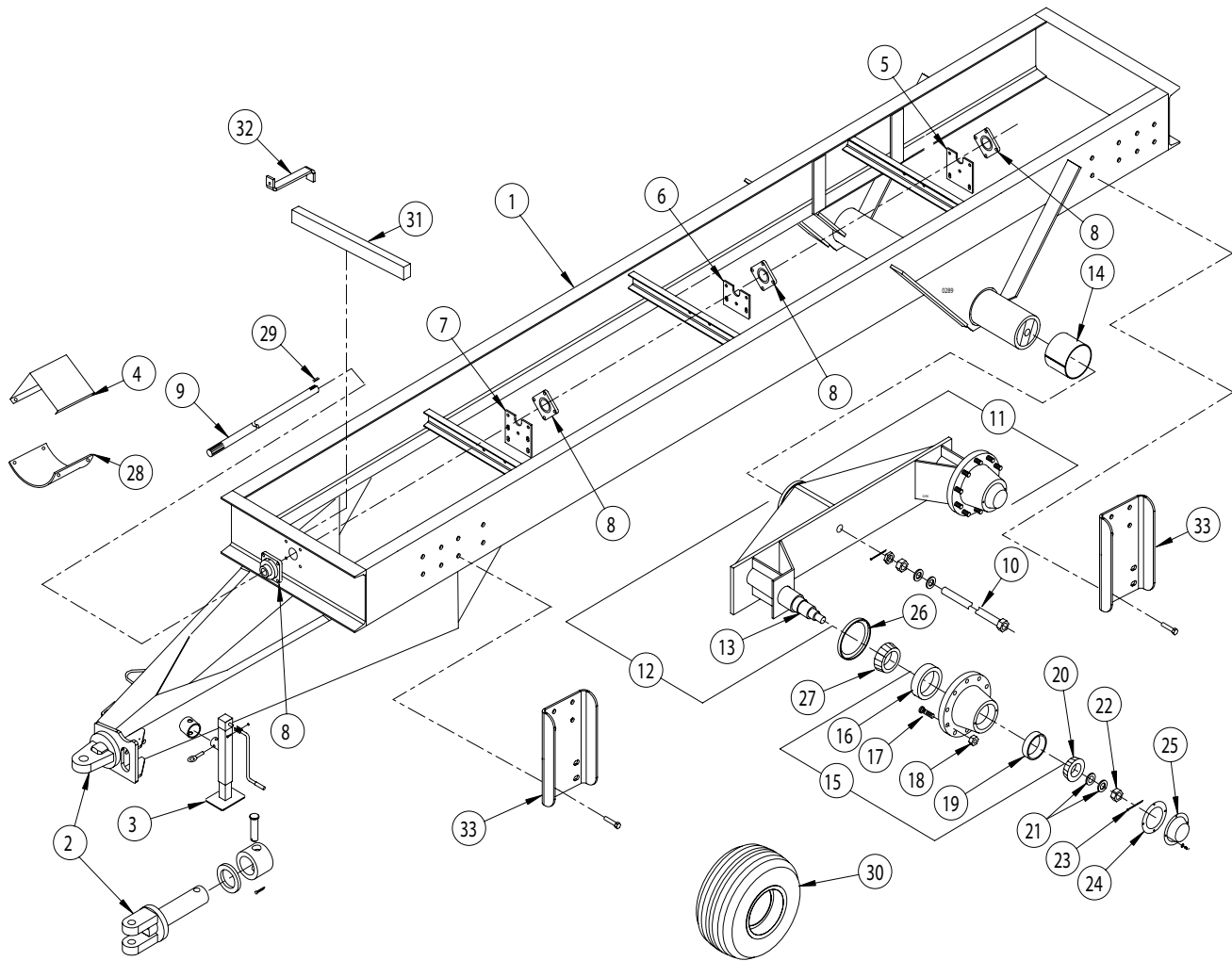


REF	PART NO	QTY	DESCRIPTION
1	175-702	2	Adapter; 90 degree 08JFS x 08JM
2	176-442	2	Hydraulic Hose; 1/2" x 412" 100R1
3	173-262	1	Valve, Flow Control; Mtg Hrd: 1/4" x 2" Bolt, Lw, Nut (2 ea)
4	174-685	1	Apron Hydraulic motor
5	173-261	1	Relief Valve; 1700 PSI; Fauver FV-4806
6	173-290	1	Check Valve; Female #8SAE, Male #8SAE
7	175-709	2	Adapter Tee; 08JFS x 08JM x 08JM
8	176-514	2	Hose Assy, 1/2" x 60" 100R1
9	175-687	2	Adapter, Quick Coupler
10	175-700	4	Adapter, Str, 08OM x 08JM

\*Not Shown:

136-699	Flow Control Mount
102-374	Flow Control

## Undercarriage Parts



REF	PART NO	QTY	DESCRIPTION
1	105-087	1	Undercarriage Assy.
2	104-248	1	Clevis, Swivel Type (removable)
	104-409	1	Spade Pintel, Swivel Type (removable)
	142-997	1	Pin, 1 3/8" x 6 3/16"
	142-874	1	Tube, sleeve
	170-056	1	Cotter Pin, 1/4" x 2"
	144-063	1	Shim Washer, 12ga
	102-047 <sup>B</sup>	1	Clevis; Mtg. Hrd: 3/4" x 2" Bolt, LN (4ea)
3	176-865	1	Jack, Assy, 10,000#
	176-866	1	Crank assembly
	174-838	1	Pull Pin
	174-839	1	Jack mount tube (weld on)
4	141-638	1	Shield, PTO; (Weld-On)
5	140-440	1	Plate; 1/4" x 6 1/2" x 6 1/2" Mtg Hrd: 1/2" x 1 1/4"B, FW, LW, N (2EA)
6	145-697	1	Plate; 1/4" x 5" x 6 1/2" Mtg Hrd: 1/2" x 1 1/4"B, FW, LW, N (2EA)
7	145-698	1	Plate; 1/4" x 6 1/2" x 7 1/2" Mtg Hrd: 1/2" x 1 1/4"B, FW, LW, N (2EA)
8	170-000	4	Bearing, Flange, 1 3/8", Mtg Hrd: 1/2" x 1 1/2" B,LW, N (3EA) (Qty. for horizontal beater configuration only)
9	140-443	1	Input Shaft; Round, 1 3/8" x 193 1/2" (horizontal beater configuration only)
10	103-610	1	Tie Rod Assembly;Mtg Hrd:3/4" Nut,Jam Nut,(170-236)Cotter Pin(1ea)Fw(2ea)

## Undercarriage Parts

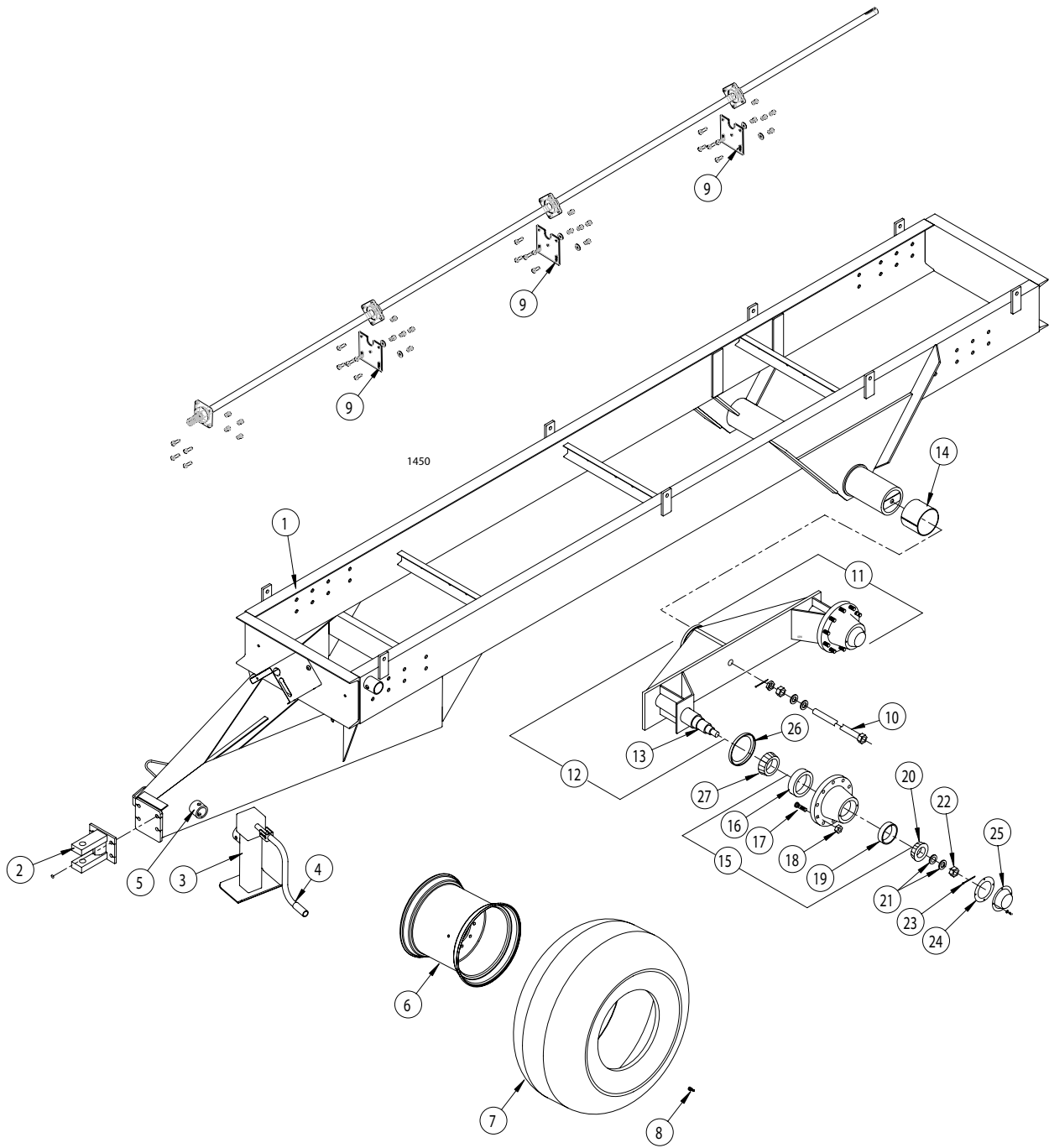
11	102-048	1	RH Bogie with hubs
	102-049	1	LH Bogie with hubs
12	102-066	1	RH Bogie Weldment (170-865) 1/8" NPT Grease Zerk
	102-065	1	LH Bogie Weldment (170-865) 1/8" NPT Grease Zerk
13	134-824	2	Spindle; 3 3/8" x 17-3/4"
14	134-843	1	Bushing; Bogie Pivot
15	172-396	2	10-Bolt Hub
16	172-361	1	Inside Bearing Race; Timken #33462
17	174-784	10	Wheel Stud; 3/4"
	170-919 <sup>A</sup>	10	Wheel Stud; 3/4"
18	170-920	10	Wheel Nut; 3/4"
19	170-922	1	Outside Bearing Race; Timken# 453
20	170-921	2	Outside Bearing Cone; Timken# 460
21	170-928	4	Spindle Washer
22	170-927	2	Castle Nut; 1 1/4"
23	170-056	2	Cotter Pin; 1/4" X 2"
24	176-936 <sup>C</sup>	2	Hubcap Gasket
25	170-926	2	Dust Cap; Mtg Hrd: 5/16" x 3/4" Bolt & L.W. (4 ea)
26	172-362	2	Grease Seal; C/R 33772
27	172-360	2	Inside Bearing Cone; Timken #33275
28	133-920	1	Plastic; Front Shield, 1/8" x 9" x 16" Mtg Hrd: 5/16" x 3/4"B,LN (4EA)
29	171-642	1	Key, sq, 5/16" x 5/16" x 1 3/4"
30	105-003	4	Assy, Tire & Wheel
	176-629	4	Wheel; 22.5 x 13, 10 Hole
	175-269	4	Tire, 22.5 425-65R Recap
	174-577	4	Tube, Tire 15R/16.5R/18R x 22.5
	104-204	4	Assy, Tire & Wheel 21.5 x 16.1
	172-481	4	Wheel, 16.10 x 18C, 10 Hole
	172-482	4	Tire, 21.5 x 16.1 Implement
	174-579	4	Tube, Tire 18.4/19L/21.5L x 16.1
	173-194	4	Valve Stem, 1.25
31	146-160	6	Weight, 2" x 3" x 33"
32	146-161	2	Weight Bracket, Mtg Hrd: (2) 1/2" NC Bolt, 1/2" Fw, Lw, Nut (12ea)
33	146-967	4	Plate, .38 x 16.00 x 18.00, Mtg Hrd: 3/4" x 2 1/2" Hex Hd Bolt, 3/4" Fw, Lw (8ea)

A: Use for serial numbers: 81 and after

B: Use before serial number 1160-E0001

C: Added after January 2007

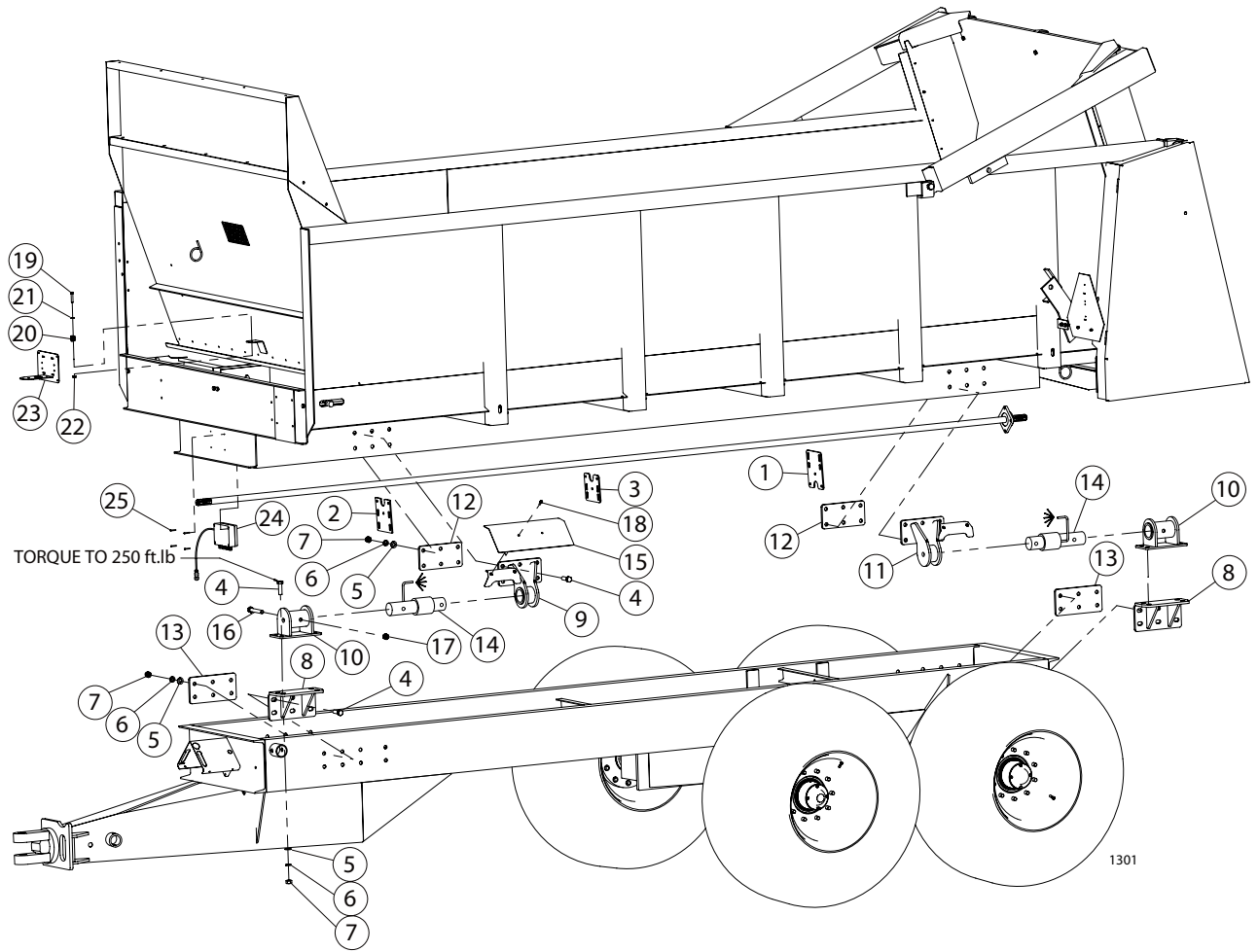
# Undercarriage Parts



## Undercarriage Parts

REF	PART NO	QTY	DESCRIPTION
1	103-624	1	Undercarriage Assy.
2	102-047	1	WC, Clevis
3	174-676	1	Jack, Assy, 10,000#
4	174-840	1	Crank Assembly
5	174-839	1	Jack, Tube, Inner
	174-838	1	Pull Pin
6	176-679	4	Wheel; 22.5 x 20.00, 10 Hole
7	176-678	4	Tire, 600/55- 22.5
8	177-003	4	Stem Valve, 1.63 Nut
9	140-440	3	Plate, .25 x 6.50 x 6.50; Screw HexHd, .50 x 1.50 NCGR5 (13 ea); Screw, HexHd, .50 x 1.25 (6 ea); Washer, Lock, .50, ZP (19 ea); Nut, Hex, .50 NCGR5 (19 ea); Washer, Flat, .50 USS (6 ea); Washer, Flat, .75 USS (2 ea)
10	103-610	1	Tie Rod Assembly;Mtg Hrd:3/4" Nut,Jam Nut,(170-236)Cotter Pin(1ea)Fw(2ea)
11	102-048	1	RH Bogie with hubs
	102-049	1	LH Bogie with hubs
12	102-066	1	RH Bogie Weldment (170-865) 1/8" NPT Grease Zerk
	102-065	1	LH Bogie Weldment (170-865) 1/8" NPT Grease Zerk
13	134-824	2	Spindle; 3 3/8" x 17-3/4"
14	134-843	1	Bushing; Bogie Pivot
15	172-396	2	10-Bolt Hub
16	172-361	1	Inside Bearing Race; Timken #33462
17	174-784	10	Wheel Stud; 3/4"
	170-919 <sup>A</sup>	10	Wheel Stud; 3/4"
18	170-920	10	Wheel Nut; 3/4"
19	170-922	1	Outside Bearing Race; Timken# 453
20	170-921	2	Outside Bearing Cone; Timken# 460
21	170-928	4	Spindle Washer
22	170-927	2	Castle Nut; 1 1/4"
23	170-056	2	Cotter Pin; 1/4" X 2"
24	176-936 <sup>C</sup>	2	Hubcap Gasket
25	170-926	2	Dust Cap; Mtg Hrd: 5/16" x 3/4" Bolt & L.W. (4 ea)

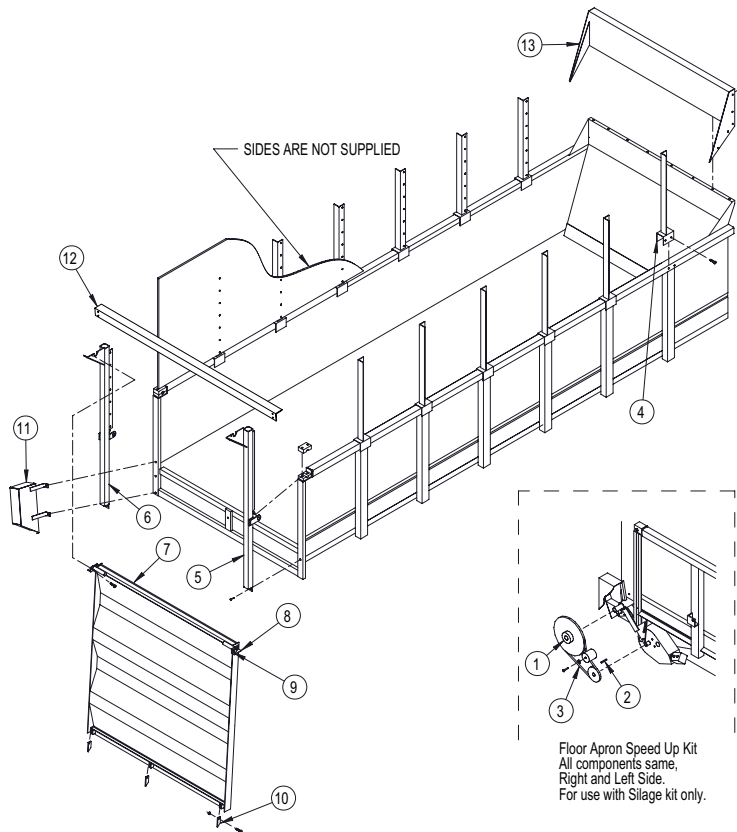
# Scale Option



## Scale Option

1	146-692	1	Plate, .25 x 6.50 x 8.50
2	145-698	1	Plate, .25 x 6.50 x 7.56
3	146-667	1	Plate, .25 x 6.25 x 6.50
4	170-374	64	Screw, Hexhd, .75 x 2.50 NCGR5
5	176-122	64	Washer, Flat, .75, SAE, GR8
6	170-016	64	Washer, Lock, .75 ZP
7	170-017	64	Nut, Hex, .75 NC GR5
8	105-302	4	WC, Bracket, Scale Mount
9	105-303	2	WC, Bracket, Scale Mount
10	105-304	4	WC, Bracket, Scale Mount
11	105-307	2	WC, Bracket, Scale Mount
12	105-309	4	WC, Backer Plate
13	105-308	4	WC, Backer Plate
14	174-979	4	Scale, Weigh Bar 2.88"
15	146-887	4	Sheet, 12 ga x 9.00 x 19.63
16	175-004	4	Screw, Hexhd, .75 x 7.50 NCGR5
17	170-185	4	Nut, Hex, .75 NC GR5 Lock
18	170-027	8	Screw, Hexhd, .31 x 1.00
19	170-245	1	Screw, Hexhd, .38 x 2.00 NCGR5
20	170-238	1	Spring Compression, 1.50 x .88 OD
21	170-244	1	Washer, Flat, .38 USS
22	170-047	1	Nut, Hex, Lock .38 NC GR5
23	101-835	1	WC, Mount, Indicator
24	103-052	1	Assy, Junction Box
25	173-935	4	Screw, Mach, #10 x 1.25 NC

## Silage Kit and Apron Speed Up Kit Components



REF	PART NO	QTY	DESCRIPTION
1	131-884	2	Sprocket; 80B-21, 2" Bore
	134-962 <sup>A</sup>	2	Sprocket; 100B-23, 2" Bore
2	170-019	2	Key; 1/2" SQ X 2"
3	175-036	2	Roller Chain; 80-1-59 Pitch
	174-668 <sup>A</sup>	2	Roller Chain; 100-1-50 Pitch (left and right side)
4	102-571	10	Side Stake; Mtg Hrd: 3/8" x 4 1/2" B, LW, NUT (20 ea)
5	102-572	1	Door Frame; RH; Mtg Hrd: 1/2" x 1 1/2" B, FW, LW, NUT (1 ea)
6	102-573	1	Door Frame; LH; Mtg Hrd: 1/2" x 1 1/2" B, FW, LW, NUT (1 ea)
7	102-570	1	Door Assembly; Mtg Hrd: 3/8" x 1" B, FW, LW, NUT (4 ea)
8	140-253	2	Door Pivot Angle
9	133-066	2	Beater Plug Cap (weld on)
10	140-244	3	Door Latch Plate; Mtg Hrd: 1/2" x 1 1/2" B, LN (3 ea)
11	103-986	1	Drive Shield; Mtg Hrd: 1/2" x 1 1/2" B, FW, LW and Nut (2 ea)
12	146-897 <sup>B</sup>	1	Angle, 3" x 3" x 1/4"; 87.13" long
13	102-592	1	Bulkhead kit; Mtg Hrd: 3/8" x 1" B, LW, NUT (9 ea), FW (18ea)

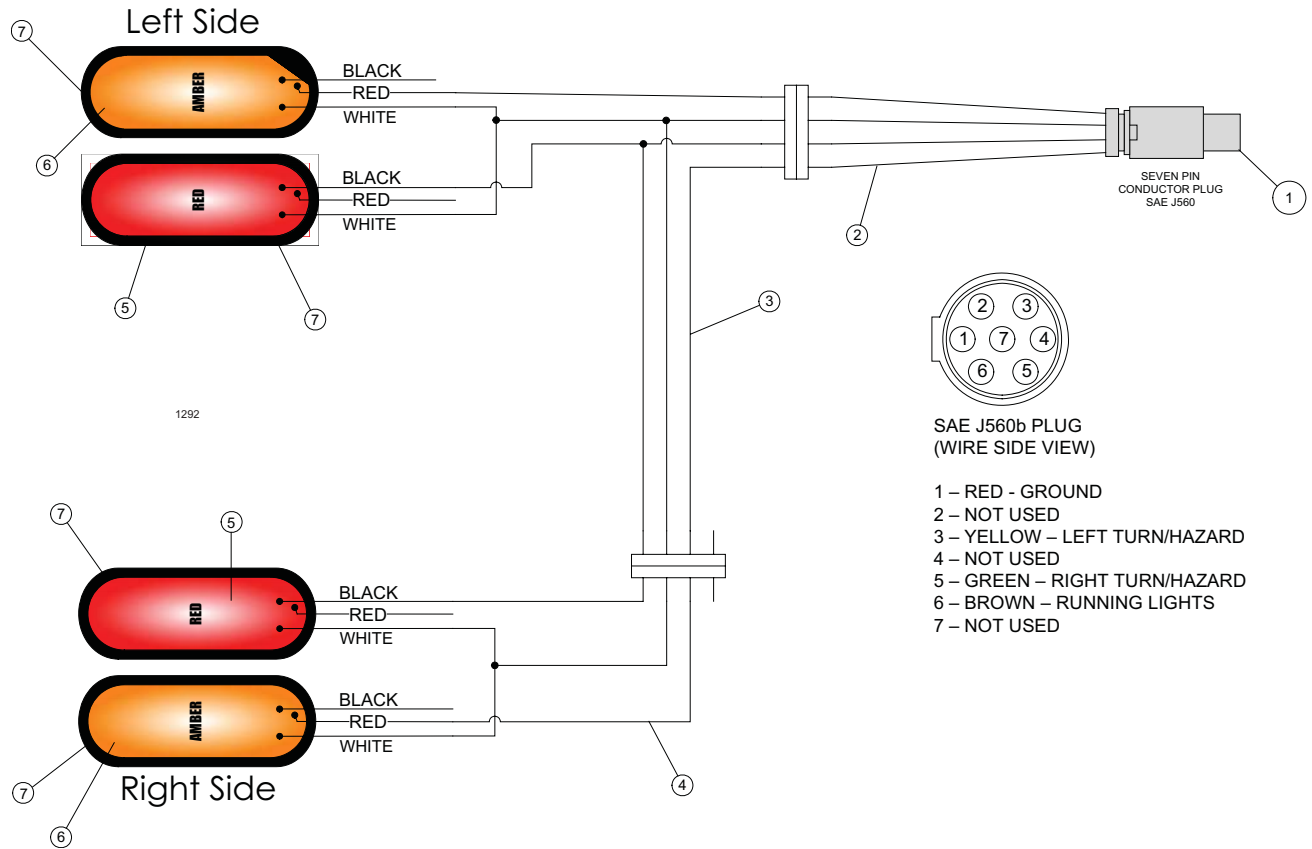
### Optional Steel Sides (not shown)

PART NO	QTY	DESCRIPTION
103-979	1	RH Steel Side Panel ( <b>1160 only</b> )
103-980	1	LH Steel Side Panel ( <b>1160 only</b> )
103-977	1	RH Steel Side Panel ( <b>1170 only</b> )
103-978	1	LH Steel Side Panel ( <b>1170 only</b> )

A: This item is no longer used on serial numbers (1160-085) and after.

B: For use on serial number 1160-G0001 and after.

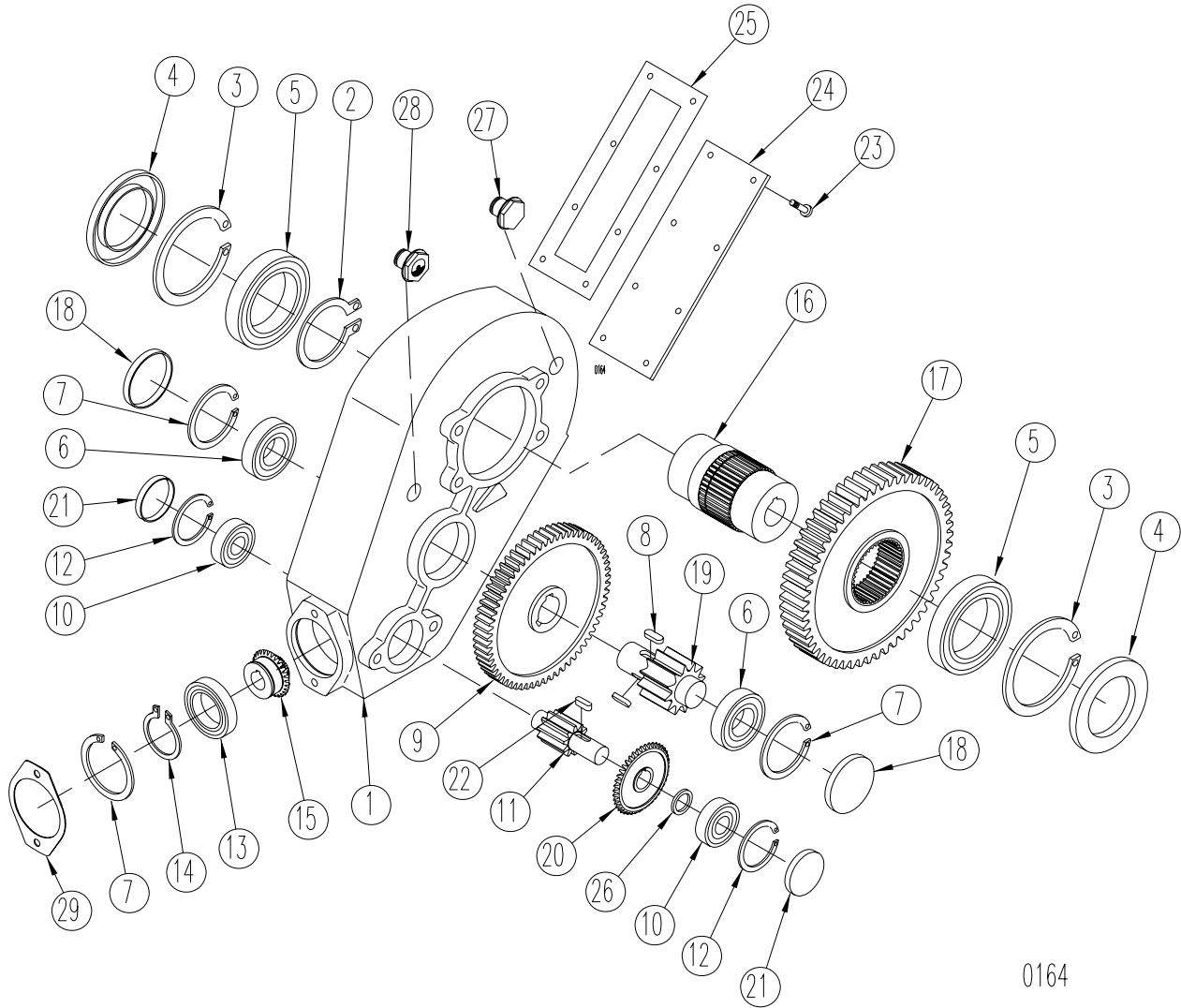
### Rear Light Components



REF PART NO QTY DESCRIPTION

REF	PART NO	QTY	DESCRIPTION
1	172-110	1	7 Pin Connector
2	174-775	1	Main Harness
3	176-848	4	Light, LH Harness
4	177-480	1	Light, RH Harness
5	174-674	2	Light, Red
6	174-673	2	Light, Amber
7	174-725	4	Grommet

# Apron Gear Box Components

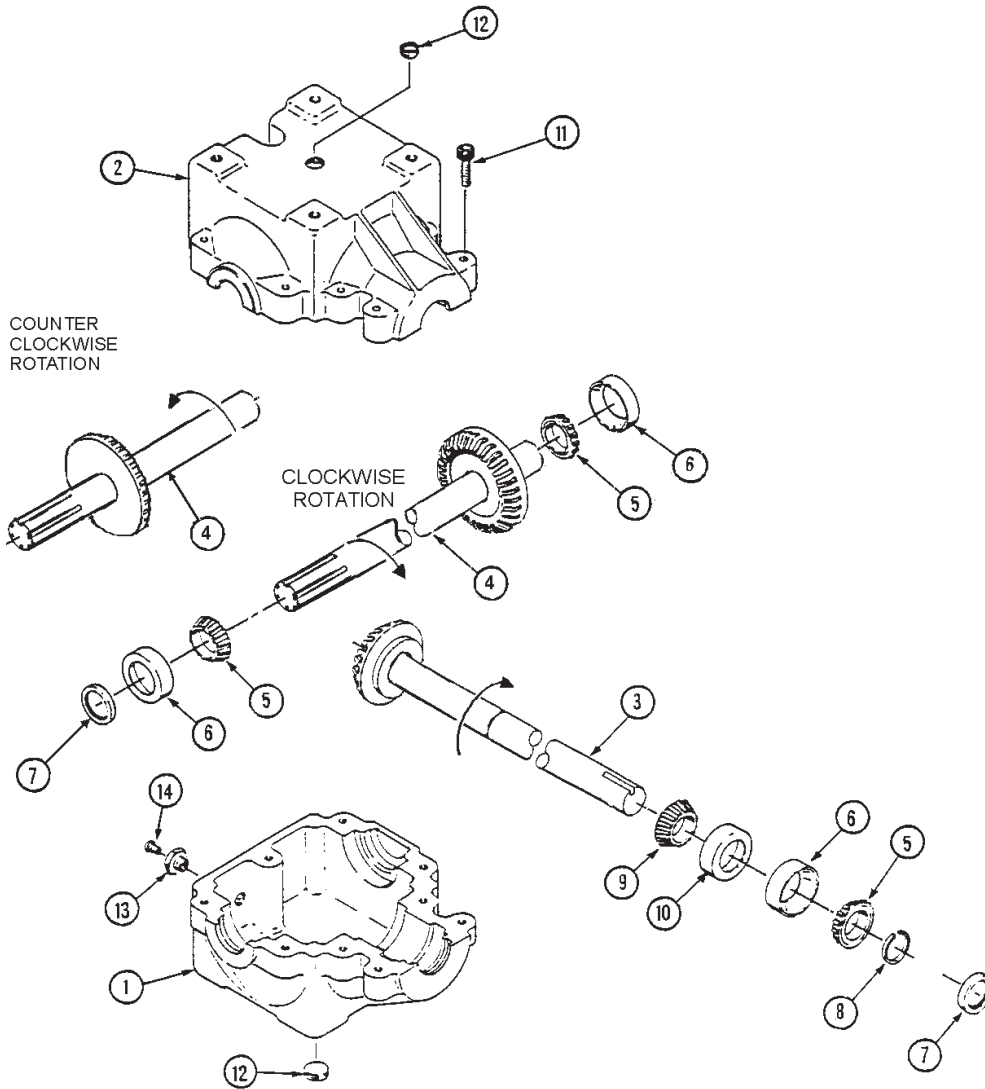


0164

## Apron Gear Box Components

REF	PART NO	QTY	DESCRIPTION
	140-086	1	Gearcase Assembly
1	174-588	1	Gearcase Housing
2	174-589	1	External Snap Ring, 95MM
3	174-590	2	Internal Snap Ring, 130MM
4	174-591	2	Seal, 85MM/130MM/12MM
5	174-592	2	Bearing, 6017
6	174-593	2	Bearing, 6208
7	174-594	3	Internal Snap Ring, 80MM
8	174-595	2	Key, 12MM x 8MM x 30MM
9	174-596	1	Gear
10	174-597	2	Bearing, 6305
11	174-598	1	Pinion Gear
12	174-599	2	Internal Snap Ring, 62MM
13	174-600	1	Bearing, 6010
14	174-601	1	External Snap Ring, 50MM
15	174-602	1	Gear, Bevel
16	174-603	1	Hub
17	174-604	1	Gear,
18	174-605	2	Plug, Oil 80MM RC 80-10
19	174-606	1	Pinion Gear
20	174-607	1	Gear, Bevel
21	174-608	2	Plug, Oil 62MM RC 62-10 T2
22	174-609	1	Key, 8MM x 7MM x 25MM
23	174-610	8	Screw, M8 X 16MM
24	174-611	1	Gearcase Cover
25	174-612	1	Gearcase Gasket
26	174-613	1	Spacer
27	174-614	1	Plug, Oil Breather
28	174-615	1	Plug, Oil Level
29	174-616	1	Motor Gasket

## Right Angle Gearbox - Superior - 2 Shaft



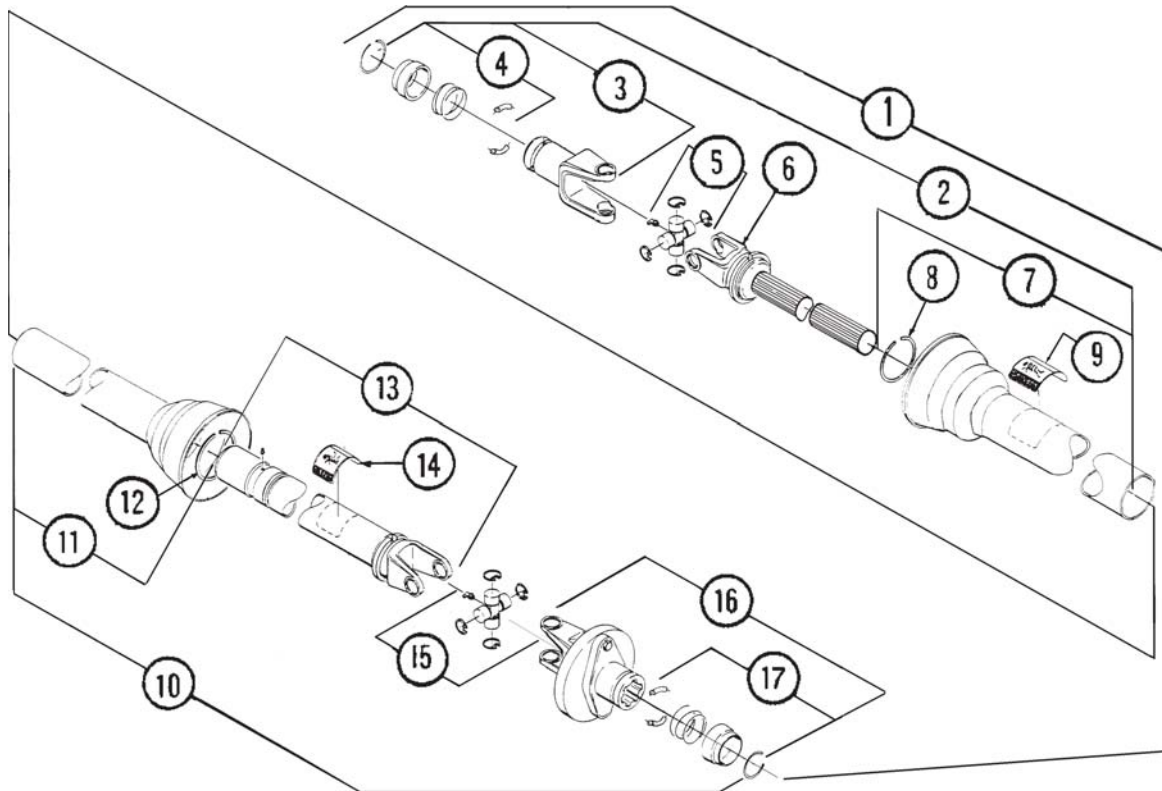
173868RAGBEX

REF	PART NO	QTY	DESCRIPTION
	173-366	1	Gearbox Assembly Complete
1	174-703	1	Casting
2	174-704	1	Casting
3	174-705	1	Keyed Shaft Assembly
4	174-706	1	Splined Shaft Assembly (clockwise rotation)
	174-736	1	Splined Shaft Assembly (counterclockwise rotation)
5	170-545	3	Bearing Cone; ( <i>Timken p/n 14137a</i> )
6	170-546	3	Bearing Cup; ( <i>Timken p/n 14276</i> )
7	173-141	2	Seal; 1-3/8" ( <i>Superior p/n 513569</i> )
8	173-144	1	Retaining Ring; 1-3/8"
9	174-707	1	Bearing Cup; ( <i>Timken p/n 25877</i> )
10	174-708	1	Bearing Cone; ( <i>Timken p/n 25821</i> )
11	173-153	9	Bolt; 3/8"-16 x 2.25 lg.
12	173-152	2	Plug; 1/2" NPT HEX SOC. HD.
13	173-150	1	Bushing; 1/2" NPT to 1/8" NPT
14	170-679	1	Plug; Pressure Relief

## PTO Driveline Parts (Non CV) 1000 RPM - 21 Spline

1-3/8" Yoke

### HORIZONTAL BEATERS



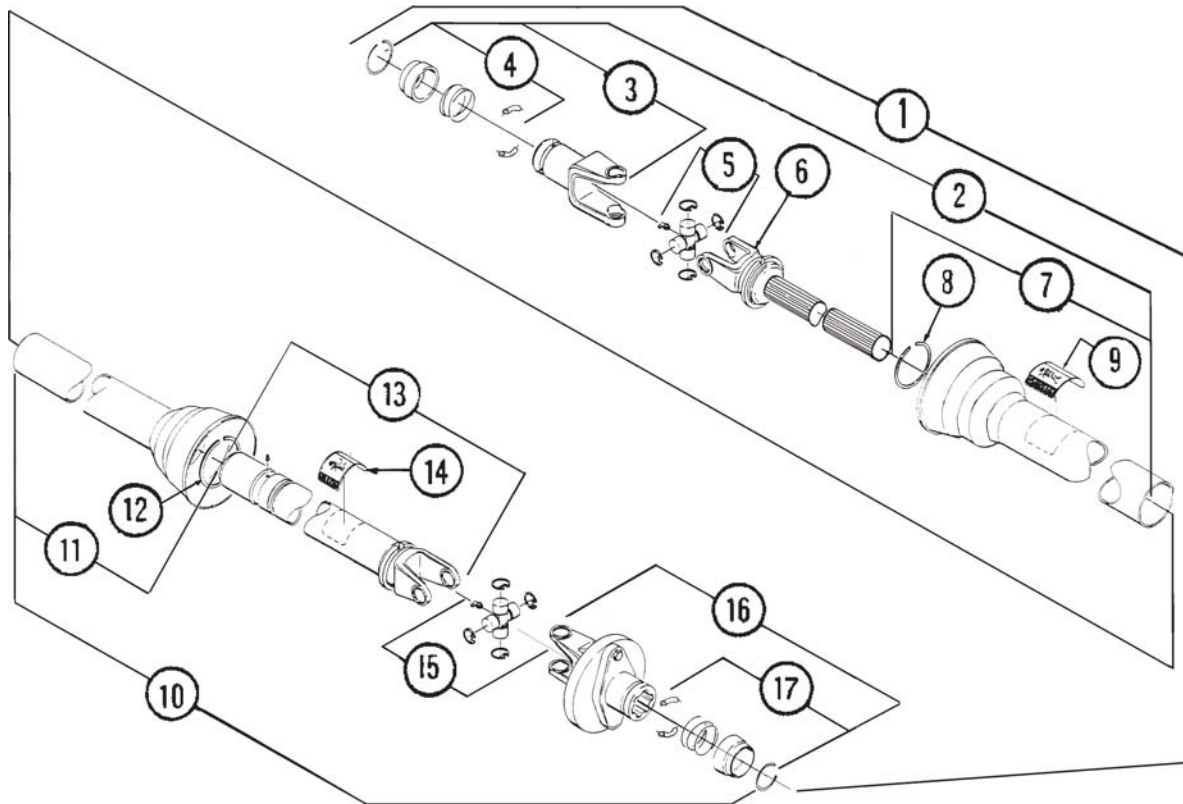
174681

REF	PART NUMBER	QTY	DESCRIPTION
1	175-597	1	PTO Assembly, Cat 4
	173-308 <sup>A</sup>	1	Driveline Complete
2	174-689	1	Joint and Shaft Half with Guard
	173-315 <sup>A</sup>	1	Joint and Shaft Half with Guard
3	171-543	1	Yoke Assembly
4	171-544	1	Safety Slide Lock Repair Kit
5	170-776	1	Cross and Bearing Kit
6	174-683	1	Yoke and Shaft
	173-318 <sup>A</sup>	1	Yoke and Shaft
7	173-320	1	Outer Guard
8	170-220	1	Nylon Repair Kit
9	171-550	1	Safety Decal
10	175-647	1	Joint and Tube Half with Guard
	172-990 <sup>A</sup>	1	Joint and Tube Half with Guard
11	172-847	1	Inner Guard
12	170-220	1	Nylon Repair Kit
13	173-426	1	Yoke Tube and Slip Sleeve
	172-845 <sup>A</sup>	1	Yoke Tube and Slip Sleeve
14	171-799	1	Safety Decal
15	170-776	1	Cross and Bearing Kit
16	172-925	1	Ball Shear Clutch
	172-986	1	Shear Bolt; 1/4" x 2" (grade5)
	170-069	1	Lock Nut; 1/4" (grade 5)
17	171-544	1	Repair Kit, SSL/Auto-Lok

A: Use before Serial Number D0010

**PTO Driveline Parts (Non-CV) 1000 RPM - 20 Spline**

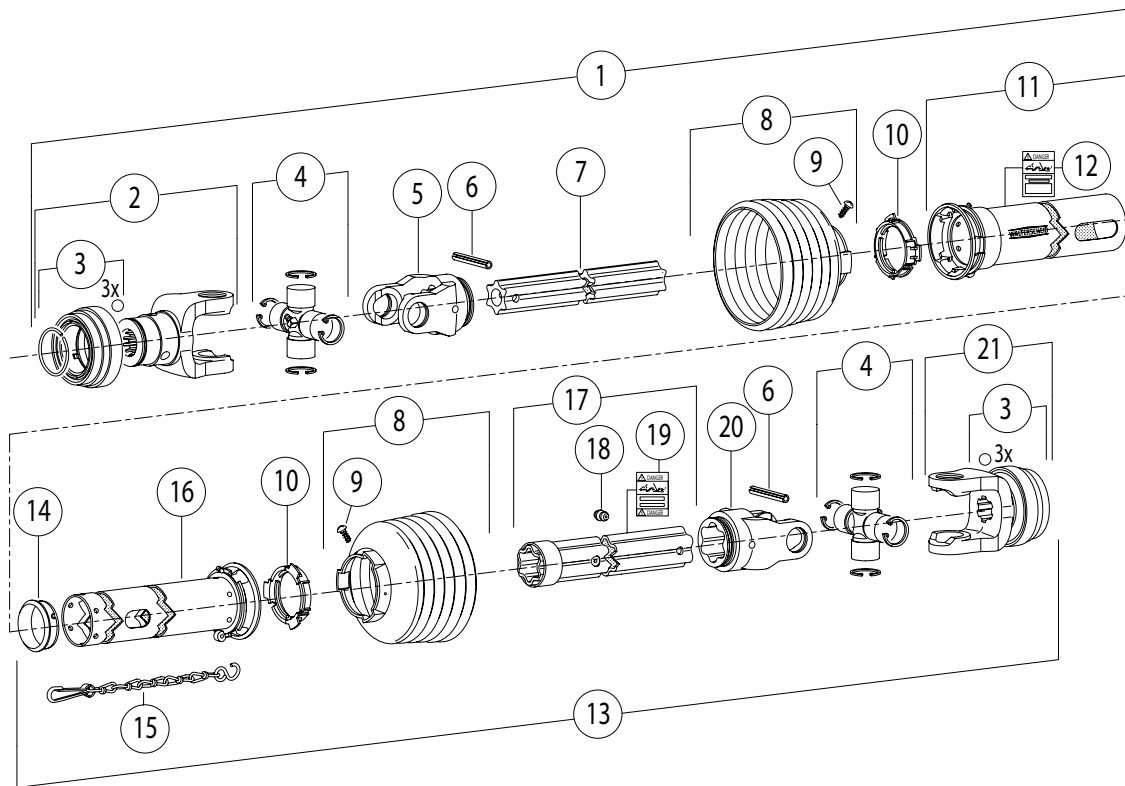
1-3/4" Yoke

**HORIZONTAL BEATERS**

REF	PART NUMBER	QTY	DESCRIPTION
1	175-599	1	PTO Assembly, Cat 4
	173-312 <sup>A</sup>	1	Driveline Complete
2	175-650	1	Joint and Shaft Half with Guard
	173-317 <sup>A</sup>	1	Joint and Shaft Half with Guard
3	172-447	1	Yoke Assembly
4	172-496	1	Safety Slide Lock Repair Kit
5	170-776	1	Cross and Bearing Kit
6	174-684	1	Yoke and Shaft
	173-319 <sup>A</sup>	1	Yoke and Shaft
7	173-321	1	Outer Guard
8	170-220	1	Nylon Repair Kit
9	171-550	1	Safety Decal
10	175-648	1	Joint and Tube Half with Guard
	172-907 <sup>A</sup>	1	Joint and Tube Half with Guard
11	172-994	1	Inner Guard
12	170-220	1	Nylon Repair Kit
13	173-435	1	Yoke Tube and Slip Sleeve
	172-993 <sup>A</sup>	1	Yoke Tube and Slip Sleeve
14	171-799	1	Safety Decal
15	170-776	1	Cross and Bearing Kit
16	172-925	1	Ball Shear Clutch
	172-986	1	Shear Bolt; 1/4" x 2" (grade5)
	170-069	1	Lock Nut; 1/4" (grade 5)
17	172-496	1	Kit, PTO, Yoke Repair XH

A: Use before Serial Number D0010

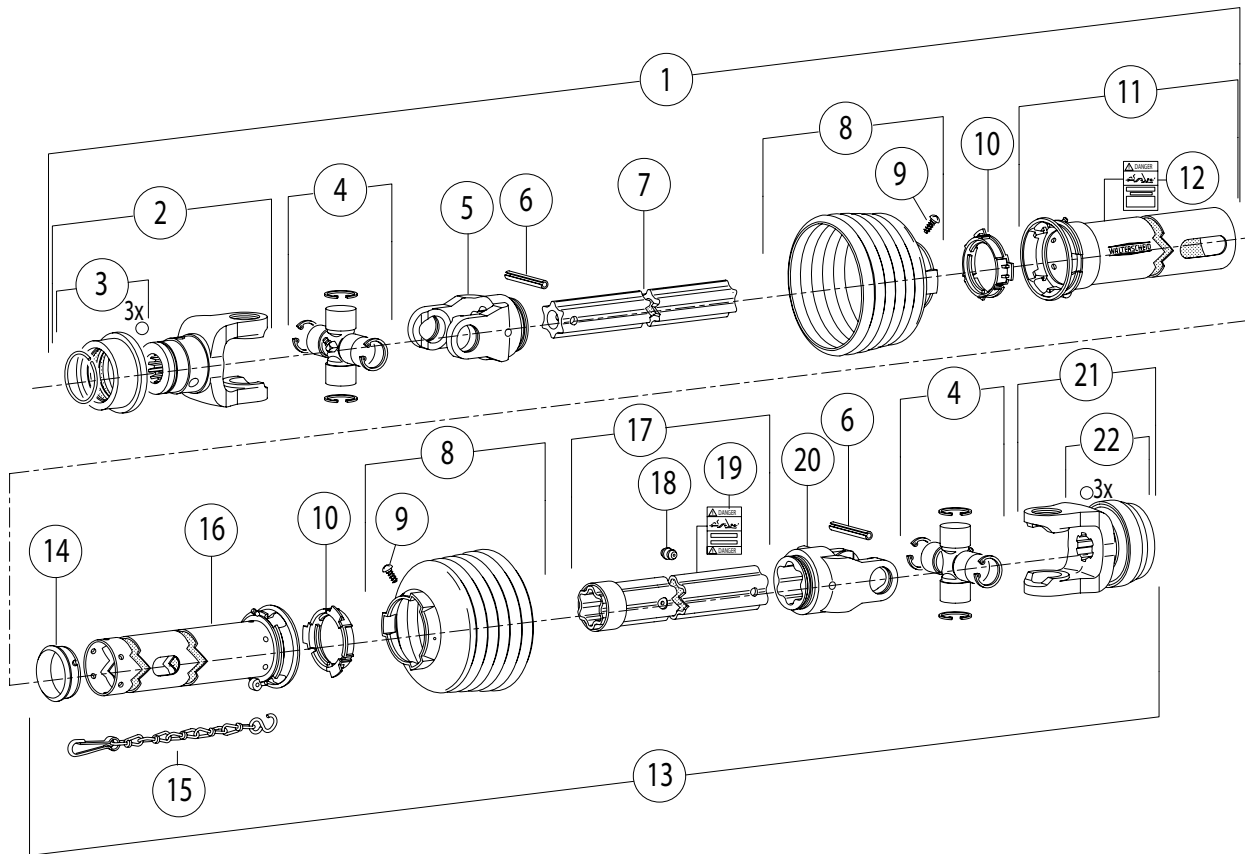
## PTO Assy, Cat.4 1000 RPM - 21 Spline VERTICAL BEATERS



REF	PART NUMBER	QTY	DESCRIPTION
	176-877	1	PTO Assembly, Cat 4
1	176-485	1	Joint and Shaft, 1.38-21, male half shaft
2	176-485	1	Yoke, 1.38 x 21 Spline
3	175-403	1	PTO Slide Yoke Kit
4	176-989	2	Cross and Bearing Kit
5	174-203	1	Yoke, Inboard S4
6	171-983	2	Spring Pin, 10 x 80
7	176-990	1	Inner Profile, S4
8	172-030	2	Shield, Cone 6 rib
9	172-210	1	Screw
10	171-979	2	Bearing Ring
11	176-993	1	Outer Shield Tube Oval
12	171-550	1	Decal, Danger, Keep Away...
13	176-966	1	Joint and Tube, 1.38-6, female half shaft
14	172-207	1	Support Bearing
15	172-040	1	Safety Chain
16	176-994	1	Inner Shield Tube Round
17	176-991	1	Profile and Sleeve W.A.
18	172-209	1	Zerk
19	171-799	1	Decal, Danger, Shield Missing...
20	174-204	1	Yoke, Inboard S5
21	176-992	1	Yoke, 1.38 x 6 Spline

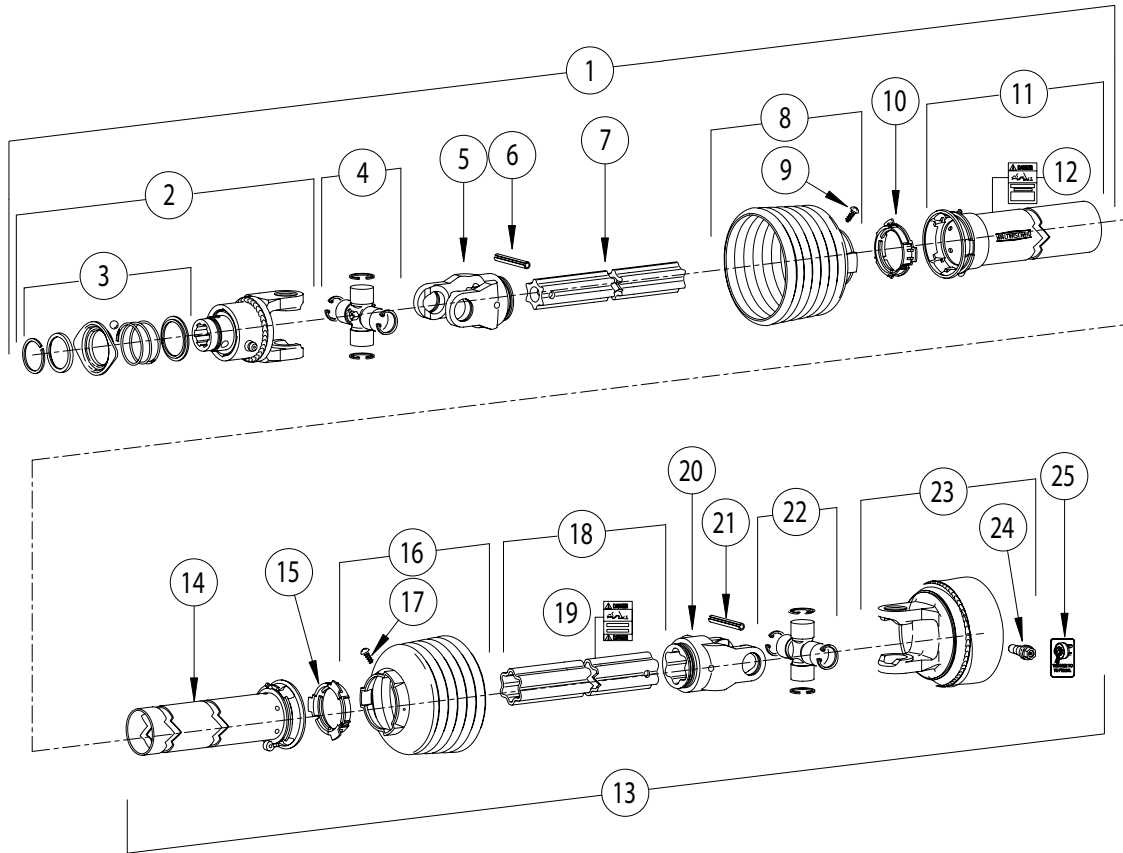
## PTO Assy, Cat.4 1000 RPM - 20 Spline

### VERTICAL BEATERS



REF	PART NUMBER	QTY	DESCRIPTION
	176-878	1	PTO Assembly, Cat 4
1	176-965	1	Joint and Shaft, 1.75-20, male half shaft
2	173-791	1	Yoke, 1.75 x 20 Spline
3	175-967	1	PTO Slide Yoke Kit
4	176-989	2	Cross and Bearing Kit
5	174-203	1	Yoke, Inboard S4
6	171-983	2	Spring Pin, 10 x 80
7	176-990	1	Inner Profile, S4
8	172-030	2	Shield, Cone 6 rib
9	172-210	1	Screw
10	171-979	2	Bearing Ring
11	176-993	1	Outer Shield Tube Oval
12	171-550	1	Decal, Danger, Keep Away...
13	176-966	1	Joint and Tube, 1.38-6, female half shaft
14	172-207	1	Support Bearing
15	172-040	1	Safety Chain
16	176-994	1	Inner Shield Tube Round
17	176-991	1	Profile and Sleeve W.A.
18	172-209	1	Zerk
19	171-799	1	Decal, Danger, Shield Missing...
20	174-204	1	Yoke, Inboard S5
21	176-992	1	Yoke, 1.38 x 6 Spline
22	175-403	1	PTO Slide Yoke Kit

## PTO Assy, Cat 5 VERTICAL BEATERS



REF	PART NUMBER	QTY	DESCRIPTION
	176-681	1	PTO Assembly, Cat 5
1	177-001	1	Joint and Shaft, 1.38-6, male half shaft
2	176-875	1	Overrunning Clutch, Splined
3	172-029	1	Flange, Quick Detach
4	174-909	1	Cross and Bearing Kit, 2500 Series
5	174-985	1	Yoke, Inboard SA
6	174-994	1	Spring Pin, 10 x 90
7	176-967	1	Inner Profile, S4
8	174-991	1	Shield, Cone 7 rib
9	172-210	1	Screw
10	171-979	1	Bearing Ring
11	176-969	1	Outer Shield Tube Oval
12	171-550	1	Decal, Danger, Keep Away...
13	177-002	1	Joint and Tube, 1.75-6, female half shaft
14	176-970	1	Inner Shield Tube Round
15	171-979	1	Bearing Ring
16	175-071	1	Shield, Cone 6 rib
17	172-210	1	Screw
18	176-968	1	Outer Profile S5
19	171-799	1	Decal, Danger, Shield Missing...
20	174-987	1	Yoke, Inboard S5
21	174-994	1	Spring Pin, 10 x 90
22	174-909	1	Cross and Bearing Kit, 2500 Series
23	176-876	1	Clutch, Cut-out
24	175-278	1	CC Lock Assembly
25	176-987	1	Decal, K64

## Decals

The following decals are listed below for your convenience.  
Use the operator's manual for decal location, part number and ordering.

### Unit Decals

PART NO	QTY	DESCRIPTION
175-885	1	Complete Set Of Decals
140-121	1	IN
140-122	1	OUT
140-128	1	APRON F - S
140-185	1	ENDGATE UP - DOWN
170-490	1	REDUCE ENGINE RPM. . .
136-607	1	Decal - SMV
171-913	1	WARNING - Do Not Operate . . .
171-915	3	DANGER - Shield Missing . . .
172-171	1	CAUTION Operating Precautions
172-786	4	DANGER - Keep Away . . .
172-820	1	WARNING - Lifting Instructions . . .
172-889	2	DANGER - Keep Away Rotating Beaters. . .
172-890	2	WARNING - keep Away Crushing Under End Gate . . .
173-040	1	CAUTION - PTO Operation
173-078	1	DANGER - Shield Missing
177-378	2	"1160"
177-361	1	Kuhn Logo - Left
177-362	1	Kuhn Logo - Right
174-519	1	DANGER - Keep Away . . .
174-686	2	Decal; Red Reflector
174-687	4	Decal; Amber Reflector
177-422	2	ProSpread with Stripe

### Paint

177-243	Sandstone Silver - Aerosol Can
177-242	Sandstone Silver - Quart Can
177-241	Sandstone Silver - Gallon Can
177-259	Black Aerosol Can
177-258	Black Quart Can
177-257	Black Gallon Can

## Hardware Part Number List

All fasteners are NC thread, Grade 5 unless otherwise specified.

### HEXHEAD BOLTS

Size .....	Part No	1/2 x 1-1/2 (Grade 8) .....	172-951	3/4 x 6 1/2 .....	176-148
1/4 x 1/2 .....	173-279	1/2 x 1-3/4 .....	171-774	3/4 x 7 .....	173-745
1/4 x 3/4 .....	170-803	1/2 x 2 .....	171-802	3/4 x 7 UNF .....	173-747
1/4 x 7/8 .....	171-094	1/2 x 2-1/4 .....	172-387	3/4 x 7-1/2 .....	175-004
1/4 x 1 .....	170-310	1/2 x 2-1/2 .....	170-885	3/4 x 8 .....	173-509
1/4 x 1-1/2 .....	170-068	1/2 x 2-1/2 (Full thread) .....	171-099	7/8 x 2-1/4 .....	172-892
1/4 x 2 .....	172-986	1/2 x 2-3/4 .....	172-007	7/8 X 2-1/2 .....	175-633
1/4 x 2 (Grade 8) .....	175-073	1/2 x 3 .....	170-168	7/8 x 3 .....	172-002
1/4 x 2-3/4 .....	171-203	1/2 x 3-1/2 .....	170-167	7/8 x 3-1/2 .....	173-020
1/4 x 3 .....	171-403	1/2 x 3-1/2 (Grade 8) .....	172-950	7/8 x 4 .....	173-299
1/4 x 3-1/2 .....	173-640	1/2 x 4 .....	173-111	7/8 x 4-1/2 .....	175-953
1/4 x 4 .....	173-505	1/2 x 4 (Full thread) .....	171-509	7/8 x 4 UNF .....	171-092
5/16 x 5/8 .....	170-532	1/2 x 4-1/2 .....	175-920	7/8 x 6-1/2 .....	173-774
5/16 x 3/4 .....	170-262	1/2 x 4-1/2 (Grade 8) .....	171-573	7/8 x 7 .....	173-749
5/16 x 3/4 (Stainless steel) .....	174-787	1/2 x 5 .....	171-412	7/8 x 7 UNF .....	174-097
5/16 x 7/8 .....	170-256	1/2 x 6 .....	173-506	7/8 x 8 .....	173-750
5/16 x 1 .....	170-027	1/2 x 6 (Grade 8) .....	174-944	7/8 x 8 UNF .....	173-515
5/16 x 1-1/4 (Full thread) .....	170-188	1/2 x 6-1/2 .....	173-711	1 x 3-1/2 .....	173-021
5/16 x 1-1/2 .....	170-372	1/2 x 7 .....	174-328	1 x 4 .....	175-119
5/16 x 1-3/4 .....	170-263	1/2 x 7-1/2 .....	175-107	1 x 4 (Grade 8) .....	175-248
5/16 x 2 .....	172-987	1/2 x 8-1/2 .....	170-504	1 x 7 UNF .....	173-516
5/16 x 2-1/2 .....	170-369	1/2 x 11 .....	170-506	1 x 8 .....	174-723
5/16 x 3 .....	170-295	9/16 x 1 .....	173-699	1 x 8 (grade 8) UNF .....	173-713
5/16 x 3-1/4 .....	171-639	9/16 x 1-1/4 .....	173-700	1-1/4 x 4-1/2 (grade 8) .....	175-003
5/16 x 3-1/2 .....	173-748	9/16 x 1-1/2 .....	173-701	M8 x 16MM (Grade 8.8) .....	174-610
5/16 x 4 .....	170-293	9/16 x 2 .....	172-219	M8 x 20MM (Grade 8.8) .....	175-193
5/16 x 4-1/2 .....	170-294	5/8 x 1 .....	171-087	M8 x 25MM (Grade 8.8) .....	174-900
5/16 x 5 (Grade 8) .....	172-983	5/8 x 1-1/4 .....	171-366	M10 x 22MM (Grade 8.8) .....	175-016
5/16 x 5-1/2 (Grade 8) .....	172-952	5/8 x 1-1/2 .....	170-153	M10 x 25MM (Grade 8.8) .....	173-344
3/8 x 3/4 .....	170-439	5/8 x 1-3/4 (Full thread) .....	170-030	M12 x 25MM (Grade 8.8) .....	171-566
3/8 x 3/4 (Stainless steel) .....	174-788	5/8 x 2 .....	170-009	M12 x 35MM (Grade 8.8) .....	175-020
3/8 x 7/8 .....	170-268	5/8 x 2 (Full thread) .....	171-772	M12 x 40MM (Grade 12.9) .....	175-190
3/8 x 1 .....	170-054	5/8 x 2-1/4 .....	173-009	M12 x 45MM (Grade 10.9) .....	174-911
3/8 x 1-1/4 .....	170-005	5/8 x 2-1/2 .....	172-381	M14 x 30MM (Grade 8.8) .....	173-518
3/8 x 1-1/4 (Stainless steel) .....	174-917	5/8 x 2-1/2 (Full thread) .....	170-129	M16 x 40MM (Grade 8.8) .....	175-631
3/8 x 1-1/2 .....	170-368	5/8 x 2-3/4 .....	172-356	M16 x 44MM (Grade 8.8) .....	175-634
3/8 x 1-3/4 .....	172-383	5/8 x 3 .....	170-258	<b>SOCKET HEAD CAP SCREW</b>	
3/8 x 2 .....	170-245	5/8 x 3-1/2 .....	170-038	3/8 x 7/8 .....	172-044
3/8 x 2-1/4 .....	170-320	5/8 x 4 .....	170-371	1/2 x 2-1/2 .....	175-921
3/8 x 2-1/2 .....	170-257	5/8 x 4-1/2 .....	170-067	<b>SELF TAPPING SCREW</b>	
3/8 x 2-1/2 (Full thread) .....	170-128	5/8 x 4-1/2 .....	170-067	1/4 x 3/4 .....	174-874
3/8 x 2-1/2 (Lag) .....	171-775	5/8 x 5 .....	170-065	<b>CARRIAGE BOLTS</b>	
3/8 x 3 .....	170-380	5/8 x 5-1/2 .....	172-421	1/4 x 1-1/4 (Grade 2) .....	170-311
3/8 x 3-1/2 .....	170-292	5/8 x 6 .....	170-381	1/4 x 1-1/2 (Grade 2) .....	170-355
3/8 x 4 .....	170-877	5/8 x 6-1/2 .....	173-777	1/4 x 2 (Grade 2) .....	170-299
3/8 x 4-1/4 (Black oxide) .....	171-813	5/8 x 7-1/2 .....	173-019	1/4 x 2-1/2 (Grade 2) .....	171-394
3/8 x 4-1/2 .....	170-519	5/8 x 9-1/2 .....	171-039	1/4 x 2-3/4 (Grade 2) .....	170-508
3/8 x 5 .....	170-493	3/4 x 1-1/2 .....	173-507	1/4 x 3 .....	170-509
3/8 x 5-1/2 .....	174-196	3/4 x 2 .....	171-768	5/16 x 1 (Grade 2) .....	170-370
3/8 x 5-1/2 (Full thread) .....	170-593	3/4 x 2 (Full thread) .....	170-058	5/16 x 1-1/2 (Grade 2) .....	170-296
3/8 x 6 .....	174-304	3/4 x 2 (Grade 8) .....	171-877	5/16 x 2-1/2 (Grade 2) .....	171-395
3/8 x 6-1/2 .....	171-291	3/4 x 2-1/4 .....	171-275	5/16 x 5-1/2 (Grade 2) .....	170-494
3/8 x 7 .....	172-587	3/4 x 2-1/2 .....	170-374	3/8 x 3-1/2 (Grade 2) .....	171-283
7/16 x 3/4 .....	170-265	3/4 x 2-1/2 (Grade 8) .....	175-055	3/8 x 4-1/2 (Grade 2) .....	170-191
7/16 x 1 .....	170-032	3/4 x 3 .....	170-014	3/8 x 5 (Grade 2) .....	170-495
7/16 x 1-1/4 .....	170-354	3/4 x 3 UNF .....	173-776	3/8 x 6-1/2 (Grade 2) .....	171-174
7/16 x 1-1/4 (Grade 8) .....	174-216	3/4 x 3-1/2 .....	170-195	3/8 x 8 (Grade 2) .....	170-297
7/16 x 1-1/2 .....	170-059	3/4 x 3-1/2 (Grade 8) .....	171-899	3/8 x 13 (Grade 2) .....	170-298
7/16 x 2 .....	170-356	3/4 x 4 .....	170-419	3/8 x 13-1/2 (Grade 2) .....	170-300
7/16 x 2-1/2 .....	170-379	3/4 x 4 (Grade 8) UNF .....	173-579	1/2 x 1-1/2 (Grade 5) .....	174-918
7/16 x 3 .....	170-270	3/4 x 4-1/2 .....	170-846	1/2 x 6-1/2 (Grade 2) .....	171-098
7/16 x 3-1/2 .....	170-377	3/4 x 4-1/2 (Grade 8) .....	173-039	1/2 x 9 (Grade 2) .....	171-255
7/16 x 6 .....	170-378	3/4 x 4-1/2 (Grade 8) UNF .....	173-588	5/8 x 2 .....	175-110
1/2 x 3/4 .....	171-252	3/4 x 5 .....	173-508	5/8 x 2-1/2 (Grade 5) .....	174-790
1/2 x 1 .....	170-149	3/4 x 5 UNF .....	173-510	<b>PLOW BOLTS</b>	
1/2 x 1-1/4 .....	170-373	3/4 x 5-1/2 (Grade 8) UNF .....	173-514	5/8 x 2 .....	174-767
1/2 x 1-1/2 .....	170-002	3/4 x 6 .....	171-116	3/4 x 2-1/2 .....	174-948
		3/4 x 6 UNF .....	173-511		
		3/4 x 6 (Grade 8) .....	173-231		

Kuhn North America, Inc.

1501 West 7th Ave., Brodhead, WI 53520

## Hardware Part Number List

### TRUSS HEAD BOLTS

#6-32 x 3/4 .....	172-416
#6-32 x 1 .....	173-079
#8-32 x 1-1/2 .....	171-210
#10-32 x 3/4 .....	171-604
#10-32 x 1 .....	172-882
1/4 x 3/4 .....	170-193
1/4 x 1 .....	170-194
5/16 x 1 .....	170-117

### SET SCREWS (Socket Head)(Cup Point)

1/4 x 1/4 .....	170-247
1/4 x 5/8 .....	172-985
5/16 x 1/4 .....	170-993
5/16 x 5/16 .....	170-248
5/16 x 5/16 UNF .....	170-825
5/16 x 3/8 UNF .....	173-367
5/16 x 1/2 .....	170-254
5/16 x 5/8 UNF .....	170-456
5/16 x 1 (Sq hd) .....	173-610
5/16 x 1-1/2 .....	172-917
3/8 x 1/4 .....	170-856
3/8 x 3/8 .....	170-151
3/8 x 1/2 .....	170-857
3/8 x 1/2 UNF .....	171-469
3/8 x 3/4 .....	174-190
3/8 x 3/4 (Sq hd) .....	170-290
3/8 x 1 .....	170-021
3/8 x 1 (Sq hd) .....	173-609
3/8 x 1 (Sq hd) (Dog pt) .....	171-551
7/16 x 7/16 .....	170-288
7/16 x 1 (Sq hd) .....	170-147
1/2 x 5/8 .....	170-249
1/2 x 1 .....	170-438
1/2 x 1-1/4 (half dog point) .....	171-085
5/8 x 5/8 .....	170-250
3/4 x 3/4 (Sq hd) (Dog pt) .....	170-251

### HEX NUTS

#6-32 .....	172-418
#10-32 .....	171-606
1/4 .....	170-125
5/16 .....	170-119
3/8 .....	170-007
7/16 .....	170-062
7/16 (Grade 8) UNF .....	174-217
1/2 .....	170-004
9/16 .....	173-702
5/8 .....	170-011
3/4 .....	170-017
3/4 UNF .....	170-159
3/4 (Grade 8) UNF .....	173-520
7/8 .....	171-776
1 .....	173-022
1 UNF .....	173-714
1 (Grade 8) .....	175-247
1 (Grade 8) UNF .....	173-519
1-1/8 UNF .....	174-095
1-1/4 UNF .....	170-130
1-1/4 (Grade 8) .....	175-006
M8 x 1.25MM .....	172-949
M30 x 1.5MM .....	174-902
M50 x 1.5MM .....	175-200

### LOCK NUTS

#6-32 .....	174-188
#10-32 .....	174-073
1/4 .....	170-069
5/16 .....	170-137

3/8 .....	170-047
7/16 .....	170-239
1/2 .....	170-042
1/2 UNF .....	170-566
1/2 (Grade 8) .....	171-671
9/16 .....	172-220
5/8 .....	170-031
3/4 .....	170-185
3/4 (Grade 8) .....	171-900
3/4 (Grade 8) UNF .....	173-578
7/8 .....	173-069
7/8 UNF .....	171-093
1 .....	174-928
1 UNF .....	170-527
M45 x 1.5MM .....	175-199
M50 x 1.5MM .....	175-197

### JAM NUTS

1/4UNF .....	171-386
5/16 .....	173-521
3/8 .....	170-022
7/16 .....	170-046
1/2 .....	170-036
5/8 .....	170-037
3/4 .....	170-035
1 .....	174-927

### FLAT WASHERS

#10 .....	171-525
1/4 .....	170-301
1/4 Heavy .....	171-083
1/4 Fender .....	173-672
5/16 .....	170-127
5/16 Fender .....	173-811
3/8 .....	170-244
3/8 Heavy .....	170-302
3/8 Aluminum .....	173-900
7/16 .....	170-138
1/2 .....	170-040
1/2 (Grade 8) .....	172-984
9/16 .....	173-693
5/8 .....	170-066
5/8 (Grade 8) .....	173-581
3/4 .....	170-015
7/8 .....	173-298
7/8 Heavy .....	170-131
1 .....	170-122
1-1/4 .....	170-928

### LOCK WASHERS

#6 .....	172-417
#10 .....	171-605
1/4 .....	170-124
5/16 .....	170-118
3/8 .....	170-006
7/16 .....	170-061
1/2 .....	170-003
9/16 .....	173-692
5/8 .....	170-010
3/4 .....	170-016
3/4 External Tooth .....	174-793
7/8 .....	172-003
1 .....	171-021
1-1/4 .....	175-005

### ZERKS

1/8 NPT .....	170-865
1/8 NPT-45 Deg .....	170-864

1/8 NPT-65 Deg .....	170-215
1/8 NPT-90 Deg .....	170-866
3/16 drive in .....	174-124
1/4-28 .....	170-023
1/4-28 - 45 Deg .....	170-148
1/4-28 - 90 Deg .....	170-049
1/4 NPT .....	170-277
1/4 NPT - 45 Deg .....	174-130

### COTTER PINS

1/16 x 1/2 .....	170-992
3/32 x 3/4 .....	170-364
1/8 x 1 .....	170-045
1/8 x 1-1/4 .....	170-033
1/8 x 1-1/2 .....	170-382
5/32 x 1 .....	170-421
5/32 x 1-1/2 .....	170-236
5/32 x 3 .....	170-135
3/16 x 1-1/4 .....	170-991
3/16 x 2 .....	170-115
1/4 x 1-1/2 .....	170-521
1/4 x 2 .....	170-056
1/4 x 2-1/2 .....	173-961

### ROLLER CHAIN

#### CONNECTOR LINKS

#50 .....	170-088
#50-2R .....	170-094
#60 .....	170-089
#60-2R .....	170-095
#60H .....	171-102
#80 .....	170-090
#80H .....	170-821
#80-2R .....	176-134
#100 .....	170-091
#100H .....	171-969
#120 .....	170-092
#140 .....	170-093
#140H .....	173-552
#160 .....	170-888

#### OFFSET LINKS

#50 .....	170-096
#50-2R .....	170-102
#60 .....	170-097
#60-2R .....	170-103
#60H .....	171-103
#80 .....	170-098
#80H .....	170-820
#80-2R .....	176-135
#100 .....	170-099
#100H .....	172-145
#120 .....	170-100
#140 .....	170-101
#140H .....	173-553
#160 .....	170-887

#### ROLLER LINKS

#50 .....	171-415
#60 .....	171-416
#80 .....	171-417
#80H .....	170-795
#100 .....	171-418
#100H .....	172-146
#120 .....	171-419
#140 .....	171-420
#160 .....	171-421

## Part Number Index

101-485 ...5	103-978 ...30	135-606 ...9, 11	144-913 ...15
101-835 ...29	103-979 ...30	136-080 ...13	145-691 ...15
102-047 ...24, 27	103-980 ...30	136-081 ...13	145-697 ...24
102-048 ...25, 27	103-986 ...30	136-082 ...13	145-698 ...24, 29
102-049 ...25, 27	104-045 ...7, 10	136-090 ...9	145-705 ...10, 15
102-065 ...25, 27	104-046 ...7, 10	136-105 ...5	145-707 ...10, 15
102-066 ...25, 27	104-047 ...7, 10	136-125 ...18	145-709 ...10, 15
102-363 ...9, 11	104-124 ...10	136-126 ...18	145-710 ...15
102-374 ...19, 23	104-204 ...25	136-607 ...40	146-159 ...15
102-379 ...5	104-248 ...24	136-678 ...13	146-160 ...25
102-465 ...13	104-409 ...24	136-699 ...19, 23	146-161 ...25
102-570 ...30	104-838 ...15	140-057 ...9	146-163 ...15
102-571 ...30	104-839 ...15	140-083 ...9	146-169 ...15
102-572 ...30	105-003 ...25	140-084 ...9	146-170 ...15
102-573 ...30	105-037 ...15	140-086 ...9, 11, 33	146-667 ...29
102-576 ...13	105-038 ...15	140-089 ...9, 11	146-692 ...29
102-579 ...9, 11	105-042 ...15	140-092 ...13	146-866 ...7, 10
102-580 ...9, 11	105-043 ...15	140-121 ...40	146-887 ...29
102-582 ...13	105-046 ...15	140-122 ...40	146-897 ...30
102-583 ...13	105-047 ...15	140-128 ...40	146-967 ...25
102-584 ...13	105-048 ...18	140-135 ...7, 10	170-000 ...9, 15, 24
102-588 ...9, 11	105-049 ...18	140-138 ...9	170-008 ...9
102-589 ...9, 11	105-087 ...24	140-144 ...7	170-012 ...9, 11
102-590 ...13	105-190 ...13	140-149 ...7	170-016 ...29
102-591 ...13	105-191 ...13	140-154 ...9	170-017 ...29
102-592 ...30	105-302 ...29	140-156 ...13	170-019 ...9, 30
102-593 ...18	105-303 ...29	140-185 ...40	170-023 ...9, 11
102-594 ...18	105-304 ...29	140-189 ...5	170-027 ...29
102-596 ...7	105-307 ...29	140-200 ...13	170-042 ...5
102-597 ...7	105-308 ...29	140-203 ...18	170-047 ...29
102-598 ...7	105-309 ...29	140-244 ...30	170-056 ...24, 25, 27
102-599 ...7	105-315 ...7, 10	140-253 ...30	170-057 ...9, 11
103-052 ...29	105-362 ...7, 10	140-345 ...13	170-069 ...35, 36
103-505 ...7	105-384 ...13	140-346 ...13	170-075 ...18, 20
103-610 ...24, 27	105-831 ...7	140-347 ...7	170-110 ...7
103-624 ...27	131-321 ...10	140-354 ...9, 11	170-122 ...13, 18, 20
103-632 ...13	131-675 ...18	140-355 ...9, 11	170-142 ...9
103-634 ...9	131-802 ...18	140-440 ...24, 27	170-185 ...29
103-646 ...13	131-882 ...9	140-443 ...24	170-220 ...35, 36
103-647 ...13	131-884 ...30	141-638 ...24	170-233 ...20, 21, 22
103-648 ...13	131-895 ...9	141-824 ...18	170-236 ...24, 27
103-649 ...13	132-042 ...5	141-826 ...18	170-238 ...29
103-650 ...13	133-066 ...30	142-029 ...5	170-244 ...29
103-653 ...13	133-552 ...7	142-030 ...5	170-245 ...29
103-654 ...13	133-920 ...25	142-874 ...24	170-374 ...29
103-655 ...7	134-086 ...7, 10	142-997 ...24	170-447 ...7
103-656 ...18	134-155 ...7, 10	143-499 ...20	170-478 ...7
103-657 ...18	134-824 ...25, 27	143-889 ...5	170-490 ...40
103-661 ...18	134-843 ...25, 27	144-063 ...24	170-499 ...9
103-977 ...30	134-962 ...30	144-912 ...15	170-506 ...5

**Part Number Index**

170-545 ...34	172-210 ...37, 38, 39	173-320 ...35	174-611 ...33
170-546 ...34	172-360 ...25	173-321 ...36	174-612 ...33
170-679 ...34	172-361 ...25, 27	173-351 ...19	174-613 ...33
170-776 ...35, 36	172-362 ...25	173-352 ...19	174-614 ...33
170-800 ...7	172-396 ...25, 27	173-353 ...19	174-615 ...33
170-865 ...15, 25, 27	172-447 ...36	173-354 ...19	174-616 ...33
170-895 ...9	172-481 ...25	173-366 ...9, 34	174-668 ...30
170-897 ...7	172-482 ...25	173-426 ...35	174-673 ...31
170-898 ...9, 11	172-496 ...36	173-435 ...36	174-674 ...31
170-919 ...25, 27	172-751 ...7	173-479 ...7	174-676 ...27
170-920 ...25, 27	172-786 ...40	173-483 ...20	174-683 ...35
170-921 ...25, 27	172-806 ...22	173-484 ...21, 22	174-684 ...36
170-922 ...25, 27	172-807 ...20, 21, 22	173-486 ...22	174-685 ...9, 11, 23
170-926 ...25, 27	172-820 ...40	173-487 ...22	174-686 ...40
170-927 ...25, 27	172-823 ...15	173-488 ...20	174-687 ...40
170-928 ...25, 27	172-845 ...35	173-489 ...5	174-688 ...9
170-939 ...7, 10	172-847 ...35	173-490 ...22	174-689 ...35
170-950 ...7, 10	172-876 ...20	173-644 ...22	174-692 ...21, 22
170-992 ...7, 10	172-889 ...40	173-653 ...22	174-693 ...21, 22
171-030 ...22	172-890 ...40	173-791 ...38	174-694 ...20
171-045 ...7	172-894 ...9, 11	173-935 ...29	174-703 ...34
171-129 ...20	172-907 ...36	174-203 ...37, 38	174-704 ...34
171-146 ...9	172-925 ...35, 36	174-204 ...37, 38	174-705 ...34
171-173 ...7, 10	172-986 ...35, 36	174-290 ...20	174-706 ...34
171-338 ...7, 10	172-990 ...35	174-519 ...40	174-707 ...34
171-409 ...9	172-993 ...36	174-577 ...25	174-708 ...34
171-411 ...9, 11	172-994 ...36	174-579 ...25	174-724 ...31
171-543 ...35	173-040 ...40	174-588 ...33	174-725 ...31
171-544 ...35	173-060 ...9, 11	174-589 ...33	174-729 ...21, 22
171-550	173-078 ...40	174-590 ...33	174-730 ...21, 22
...35, 36, 37, 38, 39	173-141 ...34	174-591 ...33	174-731 ...7
171-585 ...9	173-144 ...34	174-592 ...33	174-736 ...34
171-642 ...9, 25	173-150 ...34	174-593 ...33	174-762 ...15
171-799	173-152 ...34	174-594 ...33	174-775 ...31
...35, 36, 37, 38, 39	173-153 ...34	174-595 ...33	174-784 ...25, 27
171-833 ...11	173-193 ...5	174-596 ...33	174-838 ...24, 27
171-883 ...9	173-194 ...25	174-597 ...33	174-839 ...24, 27
171-913 ...40	173-261 ...23	174-598 ...33	174-840 ...27
171-915 ...40	173-262 ...19, 23	174-599 ...33	174-909 ...39
171-979 ...37, 38, 39	173-268 ...20	174-600 ...33	174-979 ...29
171-983 ...37, 38	173-270 ...20	174-601 ...33	174-985 ...39
172-024 ...15	173-274 ...18, 20	174-602 ...33	174-987 ...39
172-029 ...39	173-275 ...13, 18, 20	174-603 ...33	174-991 ...39
172-030 ...37, 38	173-290 ...23	174-604 ...33	174-994 ...39
172-040 ...37, 38	173-308 ...35	174-605 ...33	175-004 ...29
172-110 ...31	173-312 ...36	174-606 ...33	175-036 ...30
172-171 ...40	173-315 ...35	174-607 ...33	175-071 ...39
172-193 ...9	173-317 ...36	174-608 ...33	175-079 ...15
172-207 ...37, 38	173-318 ...35	174-609 ...33	175-269 ...25
172-209 ...37, 38	173-319 ...36	174-610 ...33	175-278 ...39

175-403 ...37, 38	176-464 ...17	176-990 ...37, 38
175-536 ...20, 21	176-465 ...17	176-991 ...37, 38
175-597 ...35	176-466 ...17	176-992 ...37, 38
175-599 ...36	176-467 ...17	176-993 ...37, 38
175-621 ...9	176-468 ...17	176-994 ...37, 38
175-622 ...9	176-469 ...17	176494 ...20
175-647 ...35	176-470 ...17	177-001 ...39
175-648 ...36	176-471 ...17	177-002 ...39
175-650 ...36	176-473 ...17	177-003 ...27
175-673 ...21, 22	176-474 ...17	177-241 ...40
175-675 ...20, 21, 22	176-475 ...17	177-242 ...40
175-685 ...18	176-476 ...17	177-243 ...40
175-686 ...18, 20	176-477 ...17	177-257 ...40
175-687 ...19, 20, 21, 23	176-478 ...17	177-258 ...40
175-700 ...19, 22, 23	176-479 ...17	177-259 ...40
175-702 ...23	176-485 ...37	177-361 ...40
175-709 ...19, 23	176-490 ...9	177-362 ...40
175-885 ...40	176-493 ...21, 22	177-378 ...40
175-906 ...20	176-494 ...21, 22	177-422 ...40
175-907 ...20	176-495 ...22	177-480 ...31
175-911 ...22	176-496 ...22	180-768 ...15
175-912 ...15	176-497 ...21	300-140 ...18
175-922 ...20, 21, 22	176-514 ...19, 23	
175-926 ...22	176-519 ...21	
175-930 ...22	176-629 ...25	
175-932 ...22	176-676 ...15, 17	
175-967 ...38	176-678 ...27	
176-064 ...19	176-679 ...27	
176-065 ...22	176-681 ...15, 39	
176-072 ...22	176-848 ...31	
176-122 ...29	176-865 ...24	
176-264 ...20	176-866 ...24	
176-428 ...15	176-867 ...17	
176-429 ...17	176-868 ...17	
176-430 ...17	176-869 ...17	
176-431 ...17	176-870 ...17	
176-432 ...17	176-871 ...17	
176-433 ...17	176-874 ...17	
176-442 ...23	176-875 ...39	
176-451 ...17	176-876 ...39	
176-452 ...17	176-877 ...37	
176-453 ...17	176-878 ...38	
176-454 ...17	176-936 ...25, 27	
176-455 ...17	176-965 ...38	
176-456 ...17	176-966 ...37, 38	
176-457 ...17	176-967 ...39	
176-458 ...17	176-968 ...39	
176-459 ...17	176-969 ...39	
176-460 ...17	176-970 ...39	
176-462 ...17	176-987 ...39	
176-463 ...17	176-989 ...37, 38	