



# **KNIGHT**

## **TRAILER PARTS MANUAL FOR REEL AUGGIE MODELS 3036 / 3042**

### **Table of Contents**

Abbreviations	2
Using This Service Parts Listing	3
Front End and Drive Shaft Parts	4 - 5
Rear Drive Parts	6 - 7
Drive Shield and Bucket Guard Parts	8
Grease Line Parts and Routing	9
Reel and Auger Parts - 3036	10 - 11
Reel and Auger Parts - 3042	12 - 13
Door Parts	14
Slide Tray Parts	15
3 Auger Discharge Parts	16 - 17
Selector Valve - Power Chute Option	18
Selector Valve - Slide Tray Option	19
Undercarriage Parts	20 - 21
Scale Parts	22 - 23
Scale Connector Repair Parts	24
PTO Driveline Parts - 540 RPM - 6 Spline (NON-CV)	25
PTO Driveline Parts - 1000 RPM - 20 Spline (NON-CV)	26
PTO Driveline Parts - 1000 RPM - 21 Spline (NON-CV)	27
CV-PTO Driveline Parts - 540 RPM - 6 Spline	28
CV-PTO Driveline Parts - 1000 RPM - 20 Spline	29
CV-PTO Driveline Parts - 1000 RPM - 21 Spine	30
HAY-MAXX System Parts	31
Repair Liner Parts	32
Jackstand Parts	33
Decal and Paint List	34
Optional Kits	35
Hardware and Part Number List	36 - 37
Part Number Index	38 - 39

Catalog Part Number 005772      Unit Serial Number \_\_\_\_\_

Operator Instruction Manual for this unit: 005761

**Abbreviations**

Assy .....	Assembly
A/R .....	As Required
B .....	Bolt
Brg .....	Bearing
BSN .....	Before Serial Number
Btm .....	Bottom
C-Bolt .....	Carriage Bolt
Cttr .....	Cotter
CV .....	Constant Velocity
Deg .....	Degree
Dia .....	Diameter
ea .....	Each
eq or Equiv .....	Equivalent
Fln .....	Flanged Lock Nut
Fw .....	Flat Washer
Ga .....	Gauge
Gr or Grd .....	Grade
Hd .....	Head
Hfw .....	Heavy Flat Washer
Hyd .....	Hydraulic
ID .....	Inside Diameter
Ill or Illus .....	Illustration
Ind .....	Indicator
Jn .....	Jam Nut
Kw .....	Keyway
LH .....	Left Hand
Ln .....	Lock Nut
Lw .....	Lock Washer
Mtg Hrd .....	Mounting Hardware
NC .....	National Coarse
NF .....	National Fine
NLA .....	No Longer Available
NPT .....	National Pipe Thread
OD .....	Outside Diameter
Pc(s) .....	Piece(s)
PD .....	Pitch Diameter
PHB .....	Pan head bolt
PTO .....	Power Takeoff (shaft)
Qty .....	Quantity
RH .....	Right Hand
SN .....	Serial Number
SHCS .....	Socket Head Cap Screw
Spk, or Spkt or Sprkt .....	Sprocket
Sq .....	Square
SS .....	Stainless Steel
SSB .....	Stainless Steel Bolt
St .....	Straight
Std .....	Standard
STS .....	Self Tapping Screw
UASN .....	Used After Serial Number
UBSN .....	Used Before Serial Number
W .....	With
W/O .....	With Out

## Using This Service Parts Listing

This listing uses a number indentation system to specify the parts of an assembly. Any number which is indented to the right, indicates that it is a component of the item to the upper left. Example:

<u>Part no</u>	<u>Qty</u>	<u>Description</u>
102-AAA	#	Assembly A
102-BBB	#	Sub-Assembly B
(Component of A)		
140-xxx	#	Sub-Component of B
140-xxx	#	Sub-Component of B
102-CCC	#	Sub-Assembly C
(Component of A)		
etc.		

Using this system, the subassemblies and their components are included if an **Assembly** is ordered. Similarly, the components of a subassemblies are included if a subassembly is ordered.

The quantity (Qty) associated with an assembly, represents the number of times an assembly could be shown in the drawing. The subassembly quantity however, is the number of times a subassembly is used to build one assembly. Similarly, the component quantity refers to the number of times a given component is found in one subassembly.

MODEL AND SERIAL NUMBER INFORMATION is located near the front left hand corner (Fig. A). The model number, serial number and part number should be known when asking service personnel for parts.

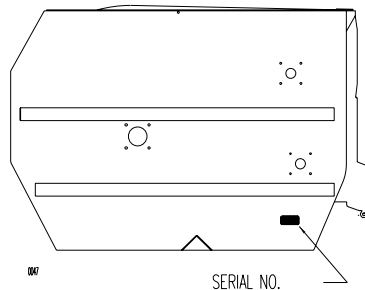


Figure A

The serial number may consist of a number, or a number with a letter prefix. When referring to serial number breaks in the text of this manual, a serial number with a prefix will have been manufactured after a serial number without a prefix (A001 made after 0123). Likewise, a higher prefix letter would indicate manufacture after a lower prefix letter (B001 made after A123). Therefore, if the text refers to units manufactured after serial number B123, this would include “B” series numbers greater than 123, and all numbers with a higher letter prefix.

If you cannot find the part you need, be as descriptive as possible when placing an order:

**Sprockets:** give the bore size, number of teeth, and size of keyway.

**Roller chain:** give the size of chain (stamped on the side of each link) and number of links.

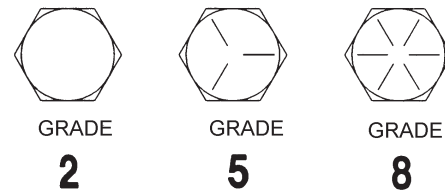
**Shafting:** give the diameter, length, and quantity and size of keyways.

Hardware is generally not included with parts. If you need any hardware, check the size, the length, and the grade (Fig. B), then check the hardware list in this manual for the part numbers.

**All hex head bolts are grade 5, and nuts are grade 5 unless otherwise stated.**

The hardware listing also includes zerks, cotter pins, set screws, and roller chain links.

**The illustrations in this manual are meant to be used only as a guide for identifying parts and locating their relative positions.**



GRADE  
**2**

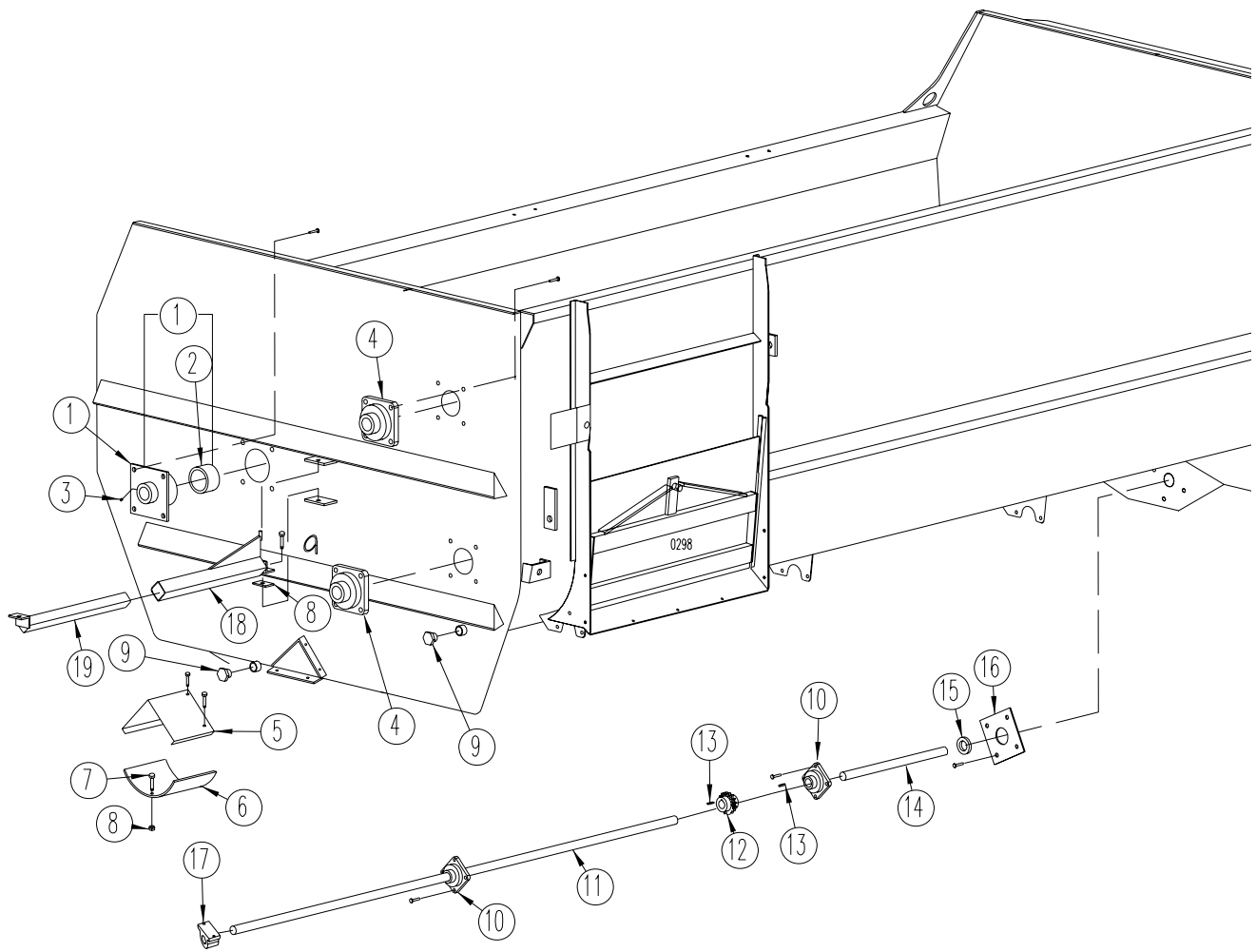
GRADE  
**5**

GRADE  
**8**

BOLT HEAD GRADE MARKING

0072

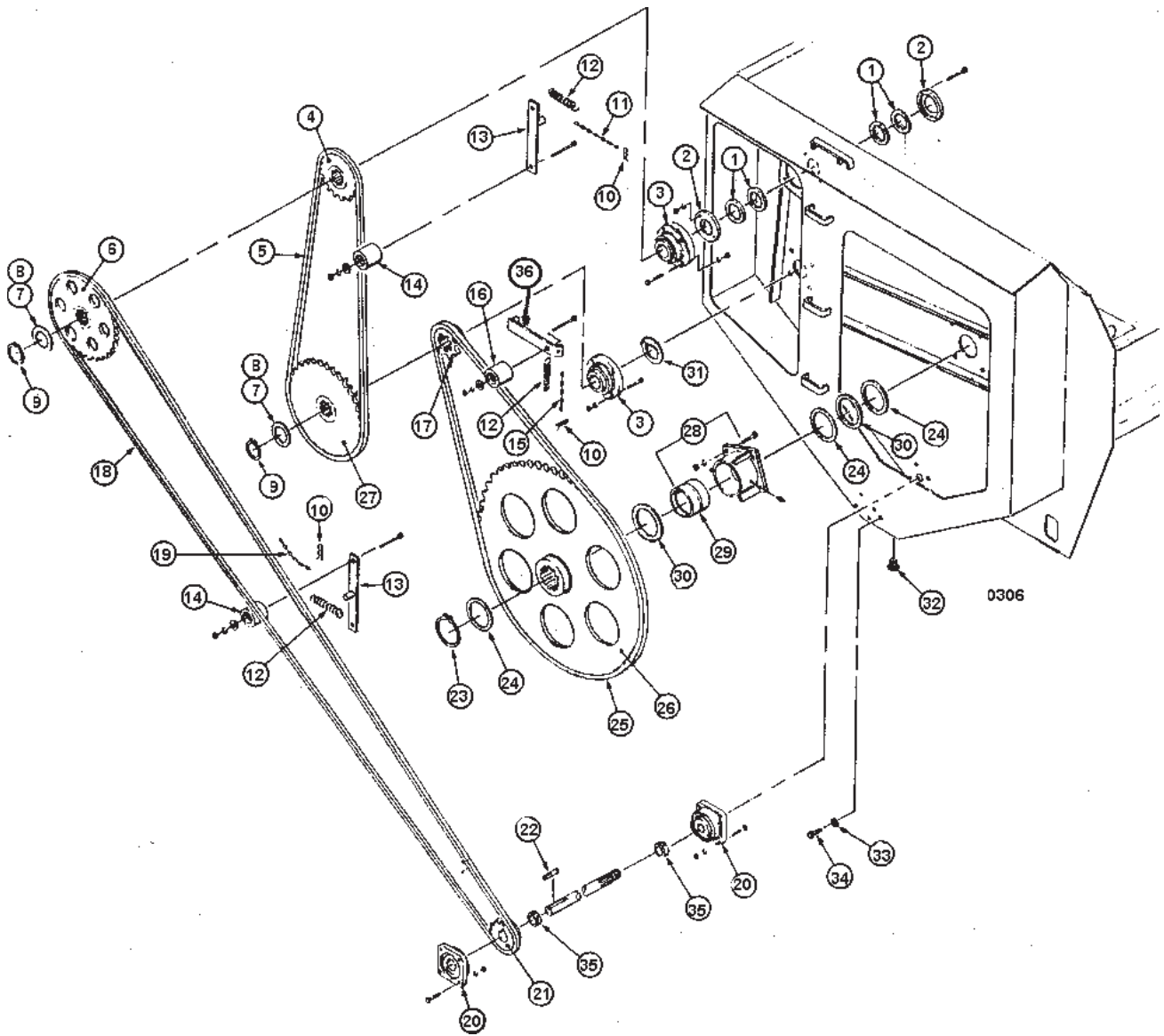
3036/3042TR005772R102210  
**Front End and Drive Shaft Parts**



## Front End and Drive Shaft Parts

REF	PART NUMBER	QTY	DESCRIPTION
1	102-261	1	Reel Bearing Assembly; Mtg Hrd: 5/8" x 1-1/2" Bolt, Lw, Nut (4ea)
2	135-704	1	Bearing Sleeve
3	170-865	1	Zerk; 1/8" NPT
4	170-008	2	Bearing; 2" Roller; Mtg Hrd: ( <i>upper</i> ) 5/8" x 1-1/2 Bolt. Lw, Nut (4ea); ( <i>lower</i> ) 5/8" x 2" Bolt. Lw, Nut (4ea)
5	136-411	1	PTO Canopy, Mtg Hrd: 3/8" x 1" B, Lw, Nuts (4ea)
6	133-920	1	Belt; PTO Shield, 5/16" x 3/4" B, Fln(4ea)
7	172-987	4	Shear Bolt; 5/16" x 2" Grade 5 LN ( <i>540 RPM</i> ) See PTO Page
	172-986	4	Shear Bolt; 1/4" x 2" Grade 5 LN ( <i>1000 RPM</i> ) See PTO Page
8	136-454	1	Belt; Rubber. 1/4" x 3 1/2" x 2"
9	171-919	2	Pipe Plug; 1-1/4" PVC
10	171-585	2	Bearing; 1-3/8" Roller ( <i>ecc.lock</i> ) Mtg Hrd: 1/2" x 1-1/2" Bolt, Lw, Nut(3ea)
11	136-415	1	Input Shaft; 1-3/8" x 85" long ( <i>3036 only</i> )
	136-362	1	Input Shaft; 1-3/8" x 109" long ( <i>3042 only</i> )
12	136-118	2	Sprocket; 50-B-16 1 3/8B., 3/8 K.W.
	170-316	1	Chain; 50-2-16 P
13	171-409	2	Key; 3/8" sq. x 1-1/4"
14	136-361	1	Input Shaft Extension; 1-3/8" x 66"
15	173-164	1	Lip Seal; 1-3/8" I.D. C/R # 13536
16	136-260	1	Seal Retaining Plate
17	170-060	1	Bearing; 1-3/8" Pillow Block; Mtg Hrd: 1/2" x 2" Grade 5 Bolt, Lw, Nut (2ea) and 172-445 Fw (2ea)
18	102-437	1	Outer Swing Arm Assy; Mtg Hrd: 1/2" x 1-1/2" Hex Hd, Ln
19	102-439	1	Inner Swing Arm Assy

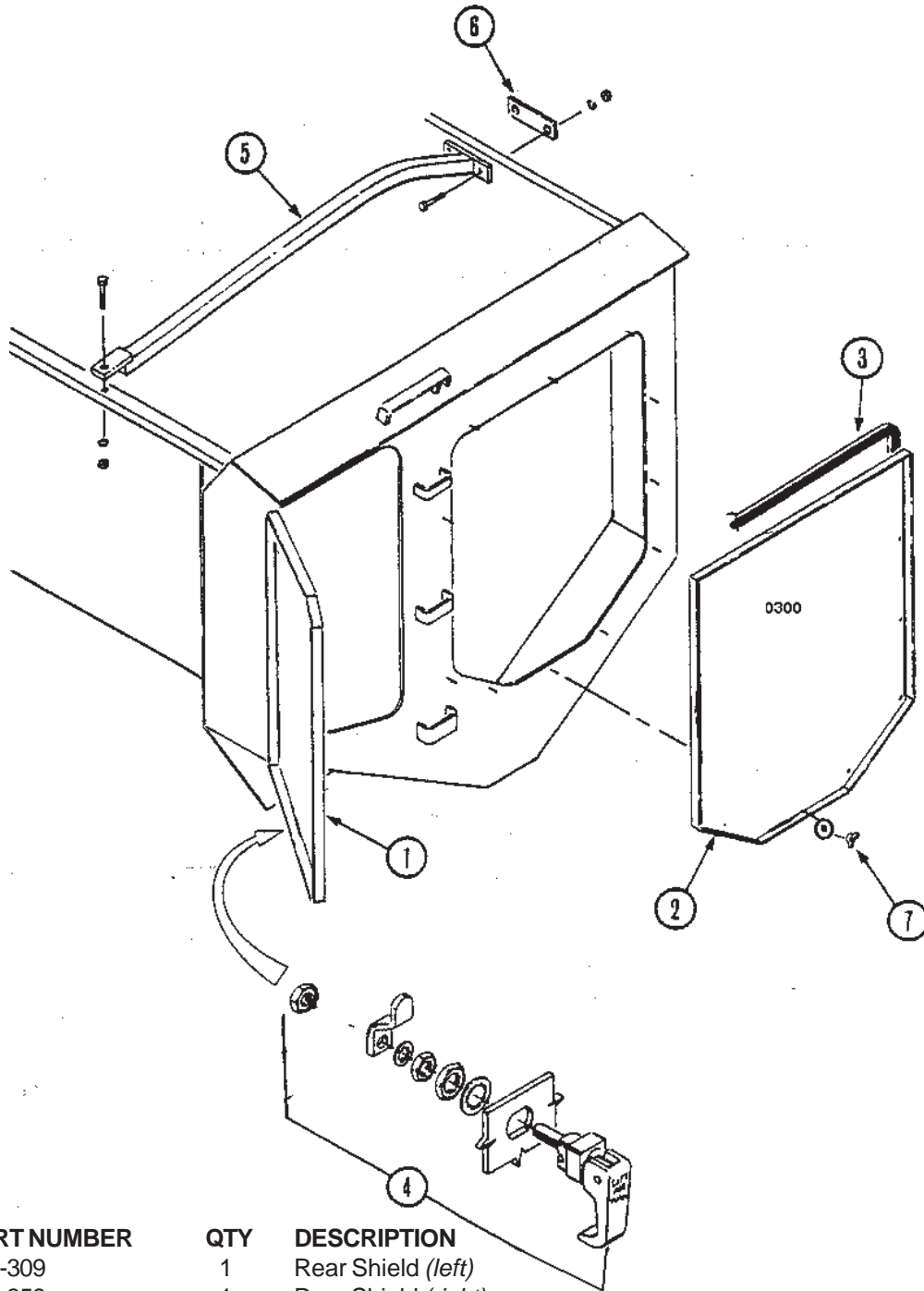
Rear Drive Parts



## Rear Drive Parts

REF	PART NUMBER	QTY	DESCRIPTION
1	135-598	4	Seal Washer - Plastic
2	136-343	2	Seal Housing; Mtg Hrd: 5/16" x 1-1/2" Bolt, Lw, Nut (2ea)
3	171-930	2	Bearing; 3" Roller; Mtg Hrd: 3/4" x 2-1/2", Lw, Nut (4ea)
4	136-333	1	Sprocket; 100-B-17, 3" Splined
5	172-493	1	Roller Chain; 100-1-70P
6	136-335	1	Sprocket; 80-B-60 (540 rpm) 3" Splined
	136-334	1	Sprocket; 80-B-85 (1000 rpm) 3" Splined
7	172-367	A/R	Spacer Shim, 14ga. x 3" I.D.
8	172-368	A/R	Spacer Shim, 10ga. x 3" I.D.
9	171-934	2	Retaining Ring; 3" External (Tru-Arc 5100-300)
10	170-800	3	Clinch Pin
11	170-845	1	Machine Chain; #4 x 17 links
12	172-751	3	Spring; 1-1/2" x 8-1/4"
13	101-818	2	Tightener Arm
14	134-155	2	Tightener Block; Mtg Hrd: 1/2" x 2-3/4", Bolt, Fw, Lw, Nut
15	170-478	1	Machine Chain; #4 x 12 Links
16	134-086	1	Tightener Block; Mtg Hrd: 1/2" x 4" Bolt, Fw, Lw, Nut
17	136-331	1	Sprocket; 120-B-13 3" Splined
18	173-306	1	Roller Chain; 80-1-164 (540rpm)
	173-307	1	Roller Chain; 80-1-178 (1000rpm)
19	171-045	1	Machine Chain; #4 x 22 links
20	171-585	2	Bearing; 1-3/8" Roller, Mtg Hrd: 1/2" x 1-3/4" Bolt Lw, Nut (4ea) (front) 1/2" x 1-1/2" Bolt, Lw, Nut (4ea) (rear)
21	131-894	1	Sprocket; 80-B-12 1 3/8B., 3/8 K.W.
22	171-409	1	Key - Straight; 3/8" sq. x 1-1/4"
23	171-989	1	Retaining Ring; 4" External (Tru-Arc 5100-400)
24	136-322	3	Thrust Shim; 10 ga. (2 req'd behind bearing. As required behind retaining ring)
25	171-988	1	Roller Chain; 120-1-119 P.
26	134-024	1	Sprocket; 120-B-92 4" Splined
27	136-332	1	Sprocket; 100-B-40 3" Splined
28	102-259	1	Bearing Assembly; 4"
29	135-692	1	Bearing Sleeve; 4"
30	135-697	2	Seal Washer - Plastic
31	133-278	1	Seal Washer - Plastic
32	171-919	1	Drain Plug; 1-1/4 Pipe
33	172-884	1	Seal Washer - Plastic 1/2" Nylon
34	170-149	1	Oil Plug; 1/2" x 1" Bolt
35	172-193	2	Lock Collar; 1-3/8"
36	101-817	1	Tightener Arm

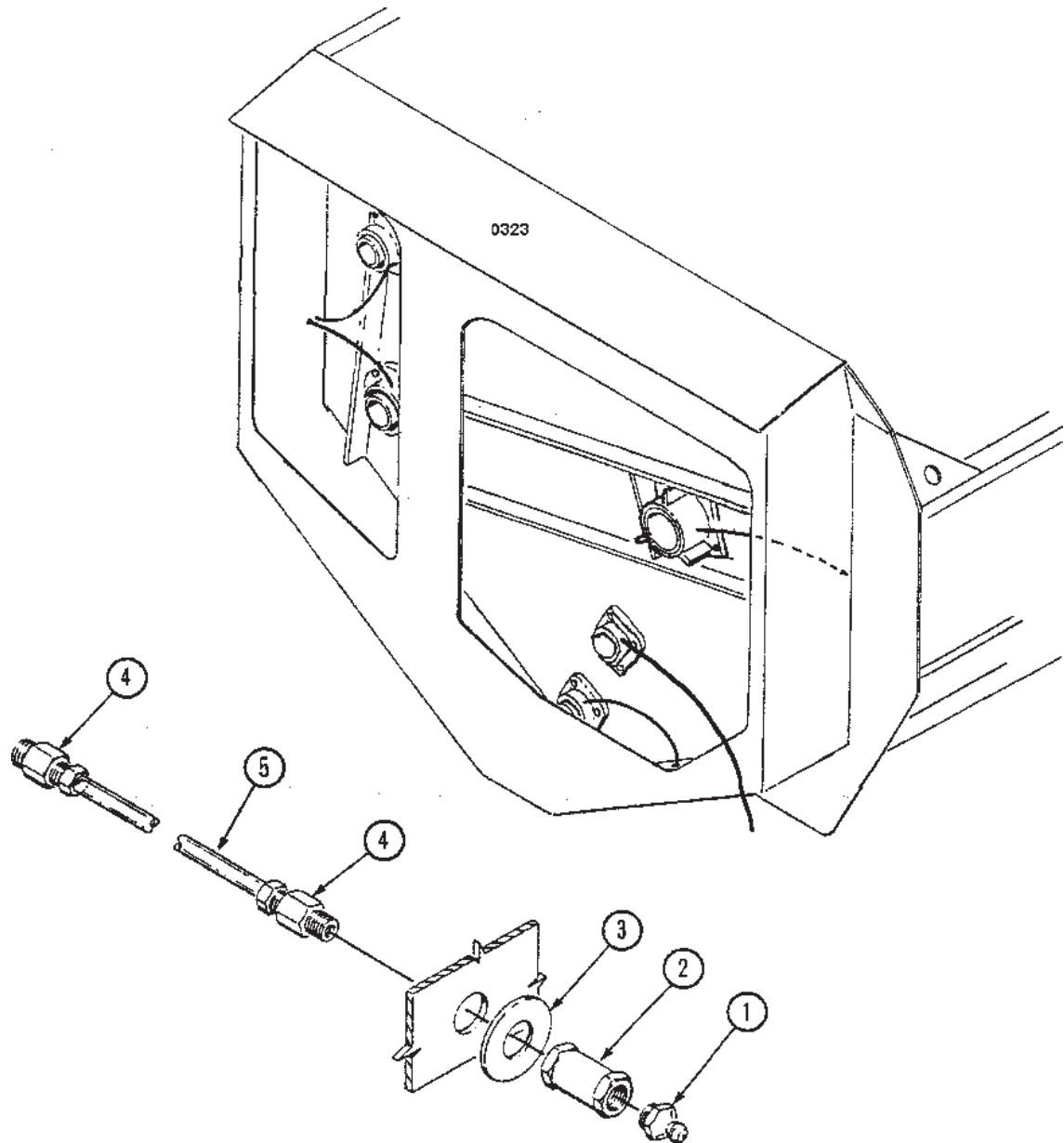
**Drive Shield and Bucket Guard Parts**



REF	PART NUMBER	QTY	DESCRIPTION
1	102-309	1	Rear Shield (left)
2	136-359	1	Rear Shield (right)
3	171-935	26*	Foam Seal (adhesive back)
4	173-027	6	Lift and Turn Latch Assy.
5	102-008	2	Bucket Guard Assembly; Mtg Hrd: 3/8" x 1-1/4" Bolt, Lw, Nut (3ea)
6	134-012	2	Bucket Guard Mount
7	171-929	12	Wing Nut; 3/8" NC
	170-244	12	3/8" Fw

\* Sold by the linear foot.

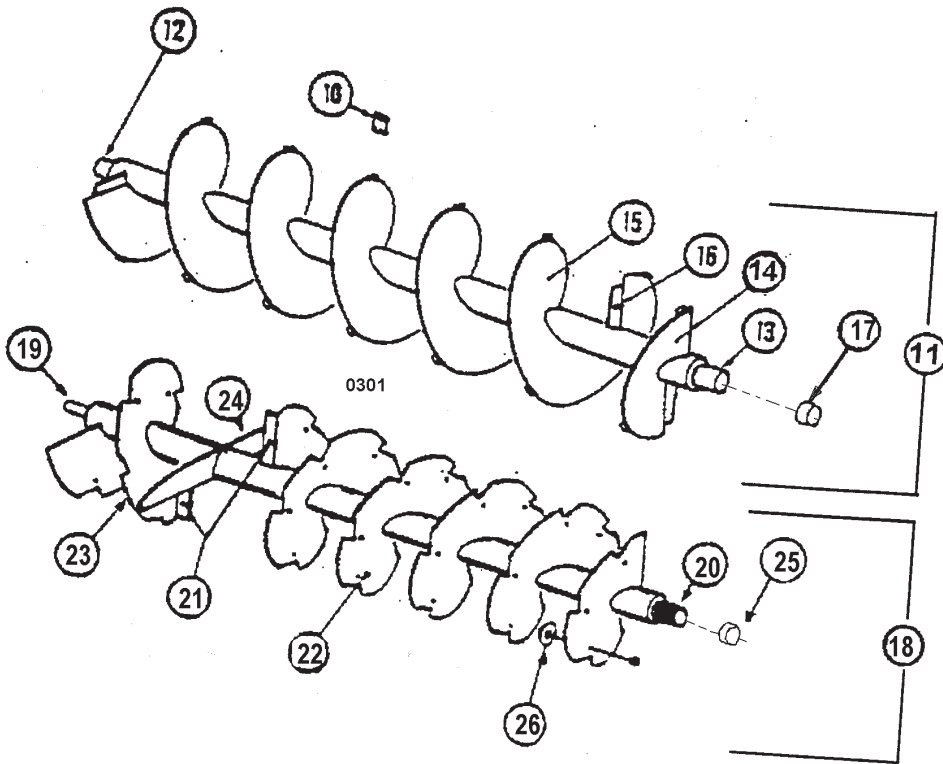
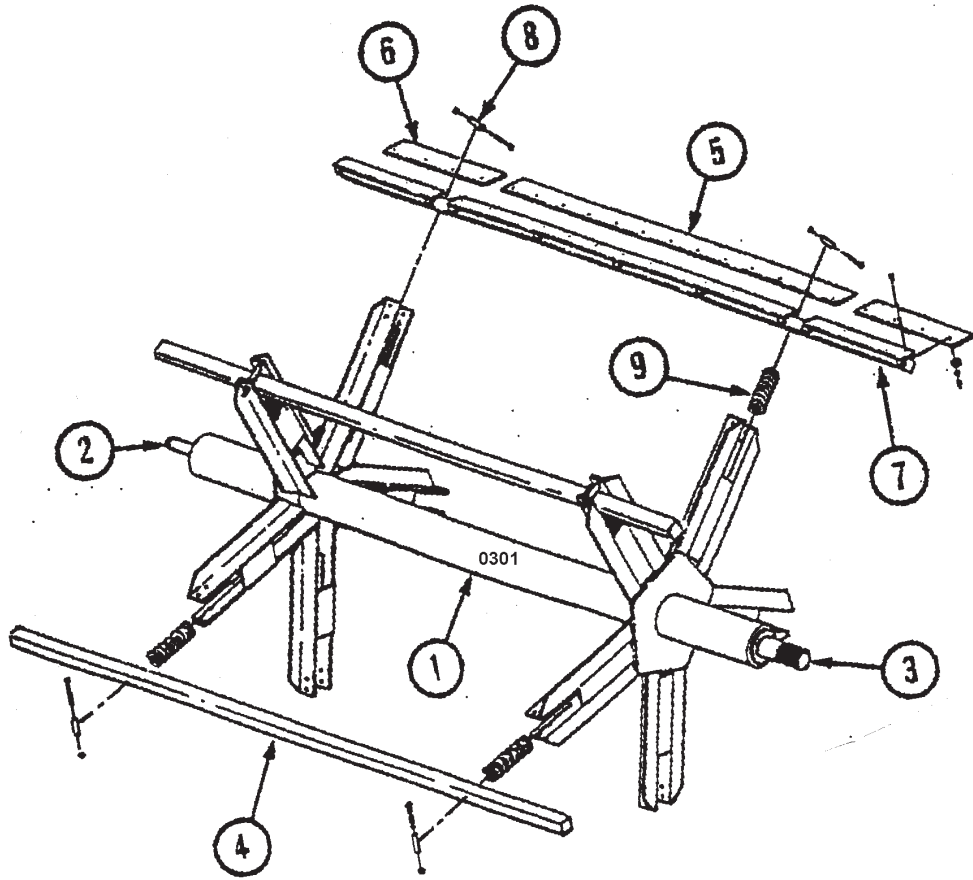
## Grease Line Parts and Routing



REF	PART NUMBER	QTY	DESCRIPTION
1	170-865	1*	Zerk; 1/8" NPT
2	172-024	1*	Coupling; 1/8" NPT
3	170-244	1*	Flat Washer; 3/8"
4	172-822	2*	Compression Fitting ; 3/16" Tube x 1/8" NPTF
5	180-630		Grease Line Tubing ( <i>8' total length required for all grease fittings</i> )
		26 <sup>***</sup>	Required for reel bearing
		26 <sup>***</sup>	Required for upper auger bearing
		18 <sup>***</sup>	Required for lower bearing
		26 <sup>***</sup>	Required for input shaft bearings

\* Quantity required to complete 1 grease line assembly.

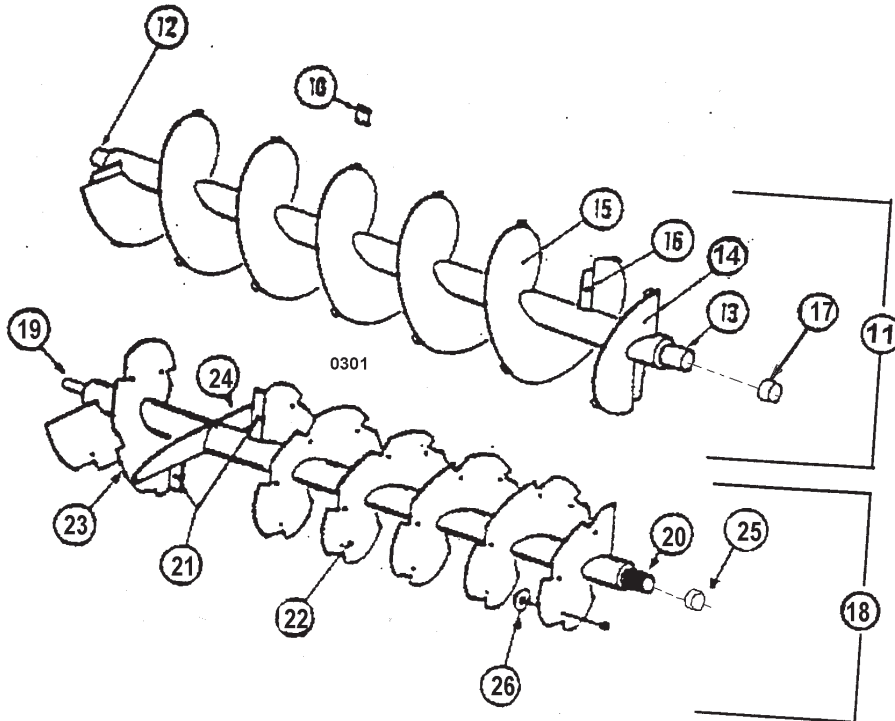
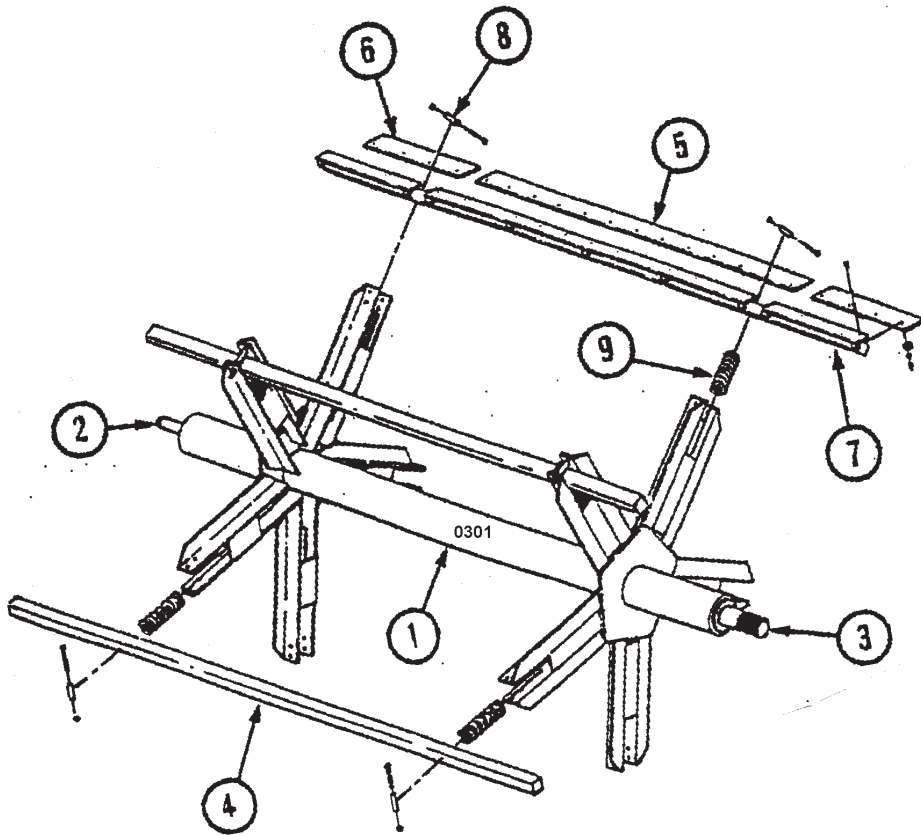
\*\* Sold by linear foot.



## Reel and Auger Parts - 3036

REF	PART NUMBER	QTY	DESCRIPTION
1	102-422	1	Reel Weldment
2	102-402	1	Front Plug Assembly
3	102-248	1	Rear Plug Assembly
4	102-424	3	Reel Cross Tube; Mtg Hrd: 1/2" x 5" Bolt, Lw, Nut
5	136-393	2	Plastic Wiper Blade ( <i>long</i> ); Mtg Hrd: 1/4" x 7/8" Bolt, (171-083 Heavy Washer), Lw, Nut (12ea)
6	135-675	4	Plastic Wiper Blade ( <i>short</i> ); Mtg Hrd: 1/4" x 7/8" Bolt, (171-083 Heavy Washer), Lw, Nut (4ea)
7	102-423	2	Wiper Tube Assembly; Mtg Hrd: 1/2" x 5" Bolt, Lw, Nut
8	135-698	10	Retaining Sleeve
9	171-920	10	Spring, Compression
10	174-558	54	Upper Auger Knife (Qty. may vary) Mtg Hrd: 5/16" x 3/4" Bolt, Lw, Nut For use with 102-482 (Upper auger w/ 20" OD and 16 pitch)
	133-835 <sup>A</sup>	27	Upper Auger Knife (Qty. may vary) Mtg Hrd: 1/4" x 3/4" Bolt, Lw, Nut For use with 102-425 (Upper auger w/ 20" OD and 20 pitch)
	136-988	27	Upper Auger Knife (Qty. may vary) Mtg Hrd: 1/4" x 3/4" Bolt, Lw, Nut For use with 102-482 or 102-425
11	102-482	1	Upper Auger Assembly (20" OD, 16" Pitch)
	102-425 <sup>A</sup>	1	Upper Auger Assembly (20" OD, 20" Pitch)
12	102-413	1	Front Plug Assembly
13	102-407	1	Rear Plug Assembly
14	136-436	1	Flight; 1/4" 8 5/8" x 20" x 20P LH
15	136-748	7	Flight; 1/4" 8 5/8" x 20" x 16P RH (6-1/2 pcs actual)
	136-437 <sup>A</sup>	6	Flight; 1/4" 8 5/8" x 20" x 20P RH (5-1/2 pcs actual)
16	135-555	7	Flighting Support Bar
	135-555 <sup>A</sup>	4	Flighting Support Bar
17	136-409	1	Spacer Ring
18	102-421	1	Lower Auger Assembly
19	102-404	1	Front Plug Assembly
20	102-405	1	Rear Plug Assembly
21	134-547	2	Gusset
22	134-455	5	Flight; 1/2" x 5-9/16" x 20" x 20" LH
23	134-456	1	Flight; 1/2" x 5-9/16" x 20" x 20" RH
24	134-491	2	Paddle
25	136-408	1	Spacer Ring
26	134-352	18	Lower Auger Knife; (Qty. may vary); Mtg Hrd: 3/8" x 1" Bolt, Lw, Nut

A: Parts no longer used in current production. Upper auger pitch was changed from 20" to 16" after serial number 3036-359. Noted parts are for augers with 20" pitch.

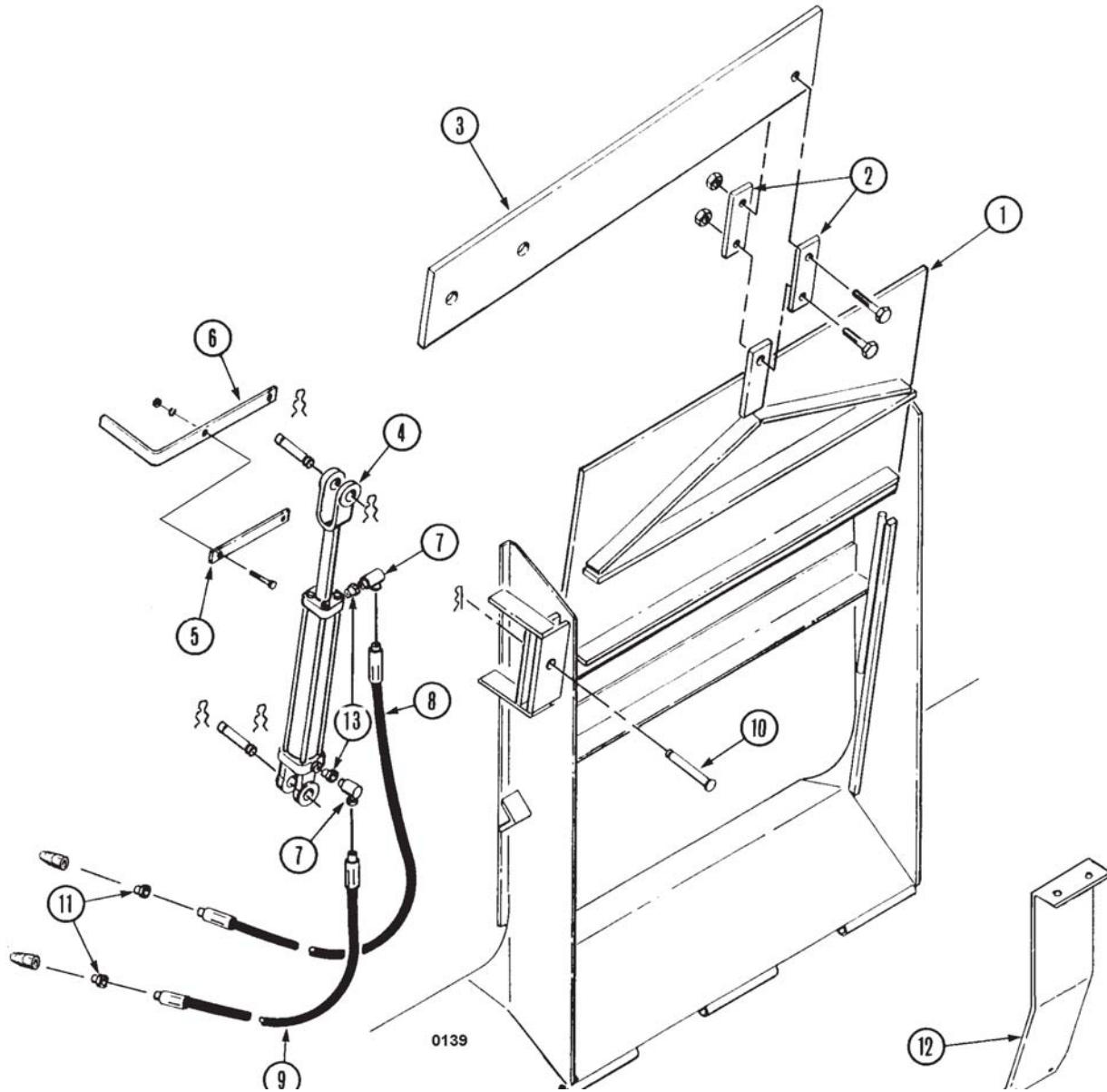


**Reel and Auger Parts - 3042**

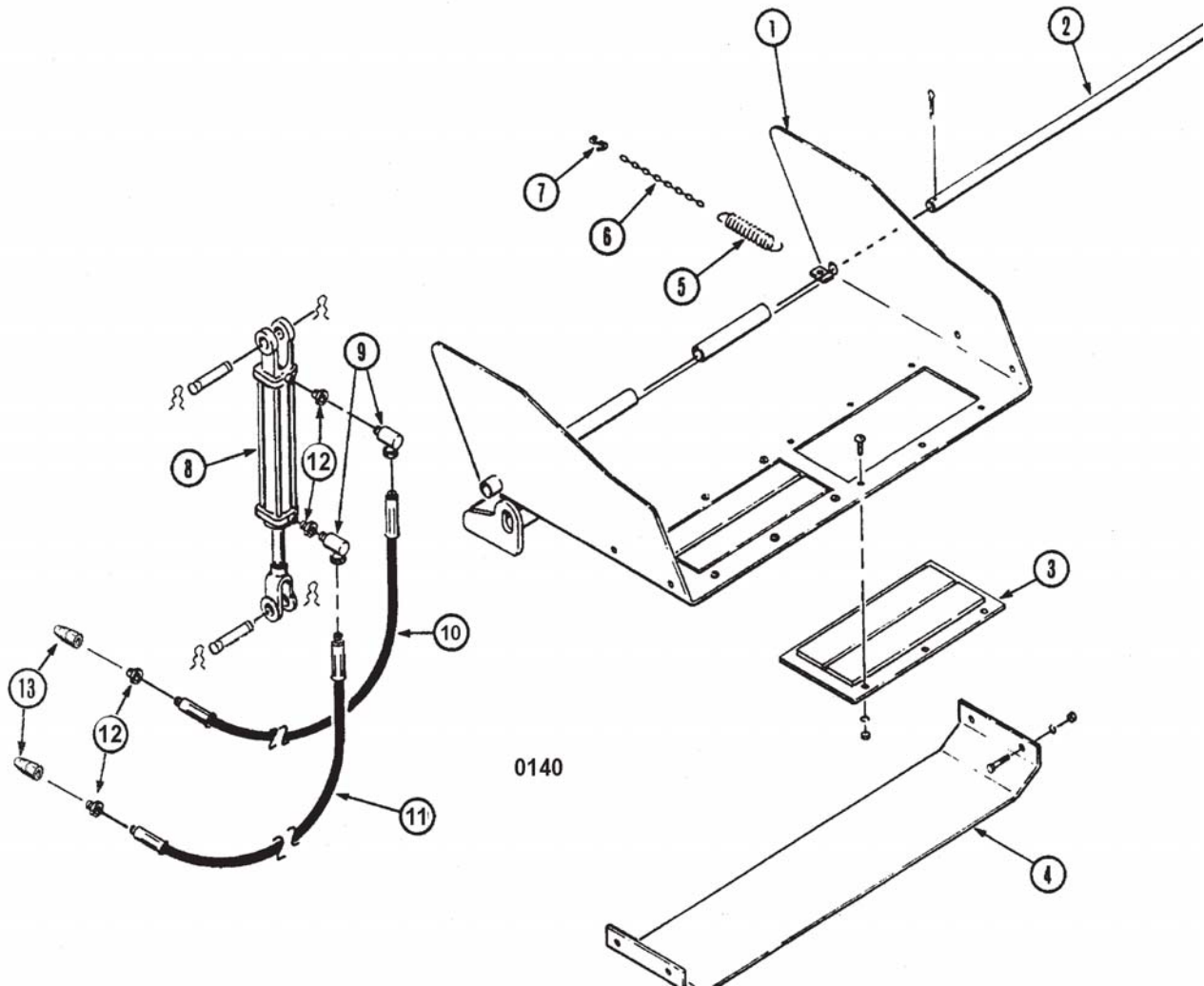
REF	PART NUMBER	QTY	DESCRIPTION
1	102-401	1	Reel Weldment
2	102-402	1	Front Plug Assembly
3	102-248	1	Rear Plug Assembly
4	102-410	3	Reel Cross Tube; Mtg Hrd: 1/2" x 5" Bolt, Lw, Nut
5	136-327	2	Plastic Wiper Blade ( <i>long</i> ); Mtg Hrd: 1/4" x 7/8" Bolt, (171-083 Heavy Washer), Lw, Nut (16ea)
6	135-675	4	Plastic Wiper Blade ( <i>short</i> ); Mtg Hrd: 1/4" x 7/8" Bolt, (171-083 Heavy Washer), Lw, Nut (4ea)
7	102-409	2	Wiper Tube Assembly; Mtg Hrd: 1/2" x 5" Bolt, Lw, Nut
8	135-698	10	Retaining Sleeve
9	171-920	10	Spring, Compression
10	174-558	70	Upper Auger Knife (Qty. may vary) Mtg Hrd: 5/16" x 3/4" Bolt, Lw, Nut For use with 102-483 (Upper auger w/ 20" OD and 16 pitch)
	133-835 <sup>A</sup>	35	Upper Auger Knife (Qty. may vary) Mtg Hrd: 1/4" x 3/4" Bolt, Lw, Nut For use with 102-408 (Upper auger w/ 20" OD and 20 pitch)
	136-988	35	Upper Auger Knife (Qty. may vary) Mtg Hrd: 1/4" x 3/4" Bolt, Lw, Nut For use with 102-483 or 102-408
11	102-483	1	Upper Auger Assembly (20" OD, 16" Pitch)
	102-408 <sup>A</sup>	1	Upper Auger Assembly (20" OD, 20" Pitch)
12	102-413	1	Front Plug Assembly
13	102-407	1	Rear Plug Assembly
14	136-436	1	Flight; 1/4" x 8 5/8" x 20" x 20P LH
15	136-748	8	Flight; 1/4" x 8 5/8" x 20" x 16P RH
16	136-437 <sup>A</sup>	7	Flight; 1/4" x 8 5/8" x 20" x 20P RH
	135-555	7	Flighting Support Bar
	135-555 <sup>A</sup>	4	Flighting Support Bar
17	136-409	1	Spacer Ring
18	102-406	1	Lower Auger Assembly
19	102-404	1	Front Plug Assembly
20	102-405	1	Rear Plug Assembly
21	134-547	2	Gusset
22	134-455	6	Flight; 1/2" x 5-9/16" x 20" x 20" LH
23	134-456	1	Flight; 1/2" x 5-9/16" x 20" x 20" RH
24	134-491	2	Paddle
25	136-408	1	Spacer Ring
26	134-352	22	Lower Auger Knife; (Qty. may vary); Mtg Hrd: 3/8" x 1" Bolt, Lw, Nut

A: Parts no longer used in current production. Upper auger pitch was changed from 20" to 16" after serial number (3042-435). Noted parts are for augers with 20" pitch.

**Door Parts**

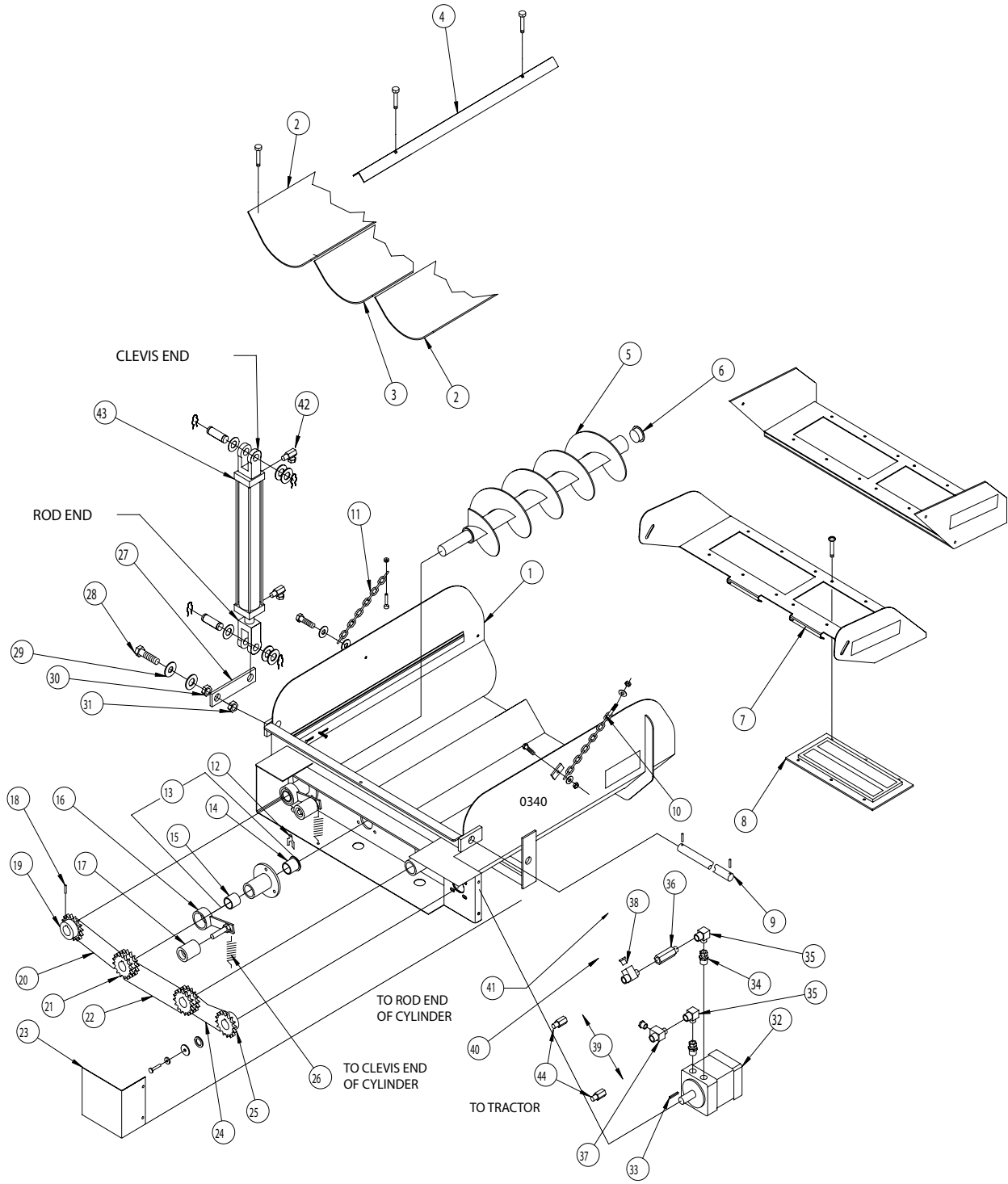


REF	PART NUMBER	QTY	DESCRIPTION
1	102-414	1	Door Assembly
2	136-363	2	Door Linkage Bar; Mtg Hrd: 5/8" x 2-1/2" Bolt, Ln (2ea)
3	136-360	1	Door Pivot Bar
4	173-270	1	Hydraulic Cylinder; 2" Dia x 8" Stroke (Seal Kit 170-075)
5	136-418	1	Door Gauge Mount
6	136-419	1	Door Gauge; Mtg Hrd: 1/4" x 1" Truss Head Bolt, Lw, Nut (2ea)
7	171-030	2	Swivel Adapter; 3/8" - 90°
8	170-471	1	Hydraulic Hose; 1/4" x 170"
9	170-468	1	Hydraulic Hose; 1/4" x 162"
10	170-073	1	Pin; 1" dia. Secures with (170-074) Hairpin Clip
11	170-235	2	Fitting, Reducer; 1/2" to 3/8"
12	136-326	A/R	Door Flow Control Plate; Mtg Hrd: 5/16" x 1-1/4" Bolt, Lw, Nut (2ea) ; 5/16" x 1" Bolt, Lw, Nut (2ea)
13	175-536	2	Pioneer Quick Coupler



REF	PART NUMBER	QTY	DESCRIPTION
1	102-430	1	Slide Tray Assembly See Decal Section for Decals
2	136-444	1	Pivot Rod; 7/8" x 39 1/2" (secure with 170-115 cotter pin; 2ea)
3	171-937	2	Magnet; Mtg Hrd: 1/4" x 3/4" Truss Head Bolt, Fw, Lw, Nut (6ea Magnet)
4	136-378	1	Skid Plate; Mtg Hrd: 1/4" x 3/4" Pan Head Screw, Lw, Nut (4ea)
5	172-005	1	Spring; 6"
6	170-478	1	Machine Chain; #4 x 12 links
7	170-947	1	"S" Hook
8	173-270	1	Hydraulic Cylinder; 2" x 8" (Seal Kit 170-075)
9	171-030	2	Swivel Connector; 3/8" x 90°
10	170-471	1	Hydraulic Hose; 1/4" x 170"
11	170-468	1	Hydraulic Hose; 1/4" x 162"
12	170-235	2	Fitting, Reducer; 1/2" to 3/8"
13	175-536	2	Pioneer Quick Coupler

### 3 Auger Discharge Parts



**3 Auger Discharge Parts**

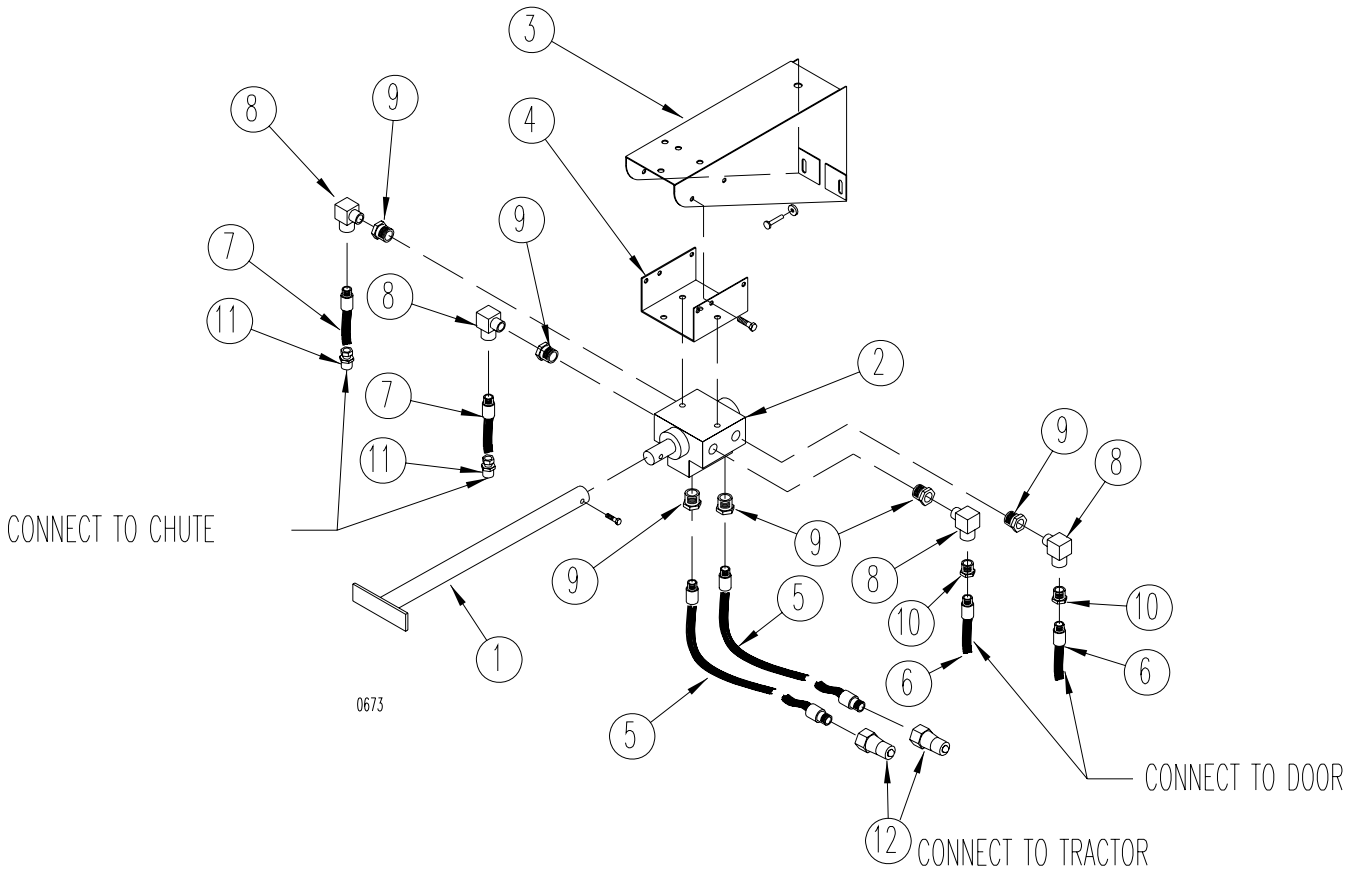
REF	PART NO	QTY	DESCRIPTION
	103-781	1	Complete Chute Assembly 3' (less cylinder and cylinder hoses)
	103-755	1	Complete Chute Assembly 2' (less cylinder and cylinder hoses)
1	103-780	1	Chute Weldment 3'
	103-758	1	Chute Weldment 2'
2	133-942	2	Plastic Chute Liner,3'- Side; Mtg Hrd:1/4" x 3/4" Truss Head Bolt, Lw,Nut (2ea)
	140-937	2	Plastic Chute Liner,2'- Side; Mtg Hrd:1/4" x 3/4" Truss Head Bolt, Lw,Nut (2ea)
3	133-943	1	Plastic Chute Liner,3'- Center;Mtg Hrd:1/4" x 3/4" Truss Head Bolt,Lw,Nut(2ea)
	140-938	1	Plastic Chute Liner,2'-Center;Mtg Hrd:1/4" x 3/4" Truss Head Bolt,Lw,Nut(2ea)
4	140-897	2	Liner Hold Down;3'- Mtg. Hrd: 1/2" Jam Nut, 5/16"x1 1/2" C-Bolt, Fw,Ln (2ea)
	140-933	2	Liner Hold Down;2'- Mtg. Hrd: 1/2" Jam Nut, 5/16"x1 1/2" C-Bolt, Fw,Ln (2ea)
5	101-736	3	Auger Assembly, 3'
	103-756	3	Auger Assembly, 2'
6	171-186	3	Plastic Cap Plug; #16
7	103-702	1	Tip-off Assembly; Mtg. Hrd: 5/16" x 1" B, Lw, Nut (2ea)
	101-737	1	Tip-off ; M,tg Hd: 5/16" x 1" B Lw, Nut (2ea)
8	171-937	2	Magnet; Mtg. Hrd: 1/4" x 3/4" Truss Head Bolt, Fw, Lw, Nut (6ea)
9	136-444	1	Chute Pivot Rod, 7/8" x 39 1/2"; Mtg. Hrd: 170-115 Cotter Pin (2ea)
10	103-918	1	Chute Restraint Chain Assy; Mtg Hrd: 5/16" x 1" PHB,Fw,Lw,Nut, 3/8" Fw, Ln
11	141-608	1	Chain; 5/0 Coil x 27 Link; Mtg. Hrd: 5/16" x 1" B, Lw, Nut and 5/16" x 1" Truss Head Bolt, Fw, (3ea), Fln (1ea)
12	171-265	A/R	Shim; .017" Thick
13	101-227	3	Auger Bearing Assembly; 3/8" x 1-1/4" Bolt, Lw, Nut (3)
14	171-260	1	Bronze Bushing ;1-3/8" ID Flanged
15	171-259	1	Bronze Bushing; 1-3/8" ID
16	101-231	2	Chain Tightener Arm
17	134-395	2	Poly Block, 2" x 2 1/2"; Mtg Hrd: 5/8" Lw & Jam Nut
18	171-414	3	Roll Pin; 5/16" x 2-1/2"
19	140-902	1	Sprocket; 50-B-15, 1-3/8" Bore; Mtg. Hrd: 1/4" x 2 1/2" Roll Pin
20	174-886	1	Roller Chain; 50-1-54 Pitch
21	134-390	2	Sprocket; 50-2R-18 1-3/8" Bore; Mtg. Hrd: 1/4" x 2 1/2" Roll Pin
22	171-932	1	Roller Chain; 50-1-56 Pitch
23	140-896	1	Motor Drive Shield; Mtg. Hrd: 5/16" x 3/4" Bolt, Lw, Nut (2ea)
24	171-008	1	Roller Chain; 50-1-47 Pitch
25	134-389	1	Sprocket; 50-B-18, 1" Bore 1/4" Kw (including: 170-254 set screw)
26	170-110	2	Extension Spring
27	133-952	1	Chute Cylinder Linkage Bar; Mtg. Hrd: 170-074 Hair Pin Clip (2)
28	173-021	1	Bolt, 1" X 3 1/2" Hex Head
29	170-122	2	Spacer Washer; 1", SAE Flat
30	174-927	1	Nut, 1" Hex Jam
31	174-928	1	Nut, 1" Hex Lock
32	171-666	1	Hydraulic Motor; 12cu. in. (Seal Kit# 171-257) Mtg Hrd: 3/8"x7/8",Lw (4ea)
33	171-883	1	Key; 1/4" x 1/4" x 1"
34	171-668	2	Straight Thread Adapter; 7/8" M-ORB x 1/2" F-NPSM Sw.
35	171-136	2	Street Elbow; 1/2" x 90°
36	171-151	1	Line Check Valve; 1/2"
37	170-859	2	Adapter,Tee: 1/2" NPTF M x 1/2" NPTF Fx 1/2" NPTF
38	170-235	2	Adapter, straight, 1/2" NPTF M x 3/8" NPTF F
39	171-330	2	Hydraulic Hose; 1/2" X 168.00"
40	171-427	1	Hydraulic Hose; 1/4" X 82.00"
41	171-940	1	Hydraulic Hose; 1/4" X 64.00"
42	171-030	4	Swivel Connector; 90°
43	173-220	1	Cylinder; 2" dia x 18" (seal kit 170-075)
44	175-536	2	Pioneer Quick Coupler

**Selector Valve - Power Chute Option**

REF	PART NO	QTY	DESCRIPTION
1	101-791	1	Control Handle Assy; Mtg Hrd: 1/4" x 1-1/2" Bolt & LN
2	101-891	1	Selector Valve Assy (Seal Kit #172-784) Mtg Hrd: 3/8" x 3" B, FW, LW, Nut (2 ea)
3	136-726	1	Selector valve mount; Mtg Hrd; 5/16" x 1" Bolt, FW, LW, Nut (2 ea)
4	134-136	1	Mounting Bracket; Mtg Hrd; 5/16" x 3/4" Bolt, LW, Nut (4 ea)
5	171-426	2	Hyd Hose; 1/2" x 93" Long 1/2" Ends, To Tractor
6	171-998	2	Hyd Hose; 1/4" x 118" Long 3/8" Ends, To Door
7	171-189	2	Hyd Hose; 1/2" x 108" Long 1/2" Ends, To Chute
8	171-136	4	Connector; Elbow 1/2" - 90 Degree
9	171-430	6	Connector; Reducer 3/4" To 1/2"
10	170-235	2	Connector; Reducer 1/2" To 3/8"
11	170-513	2	Connector; Swivel 1/2" Straight
12	175-536	2	Pioneer Quick Coupler

**FIELD INSTALLATION NOTE:**

For field installation use the above parts except (1) 171-426, (2) 171-998 & (2) 170-235.

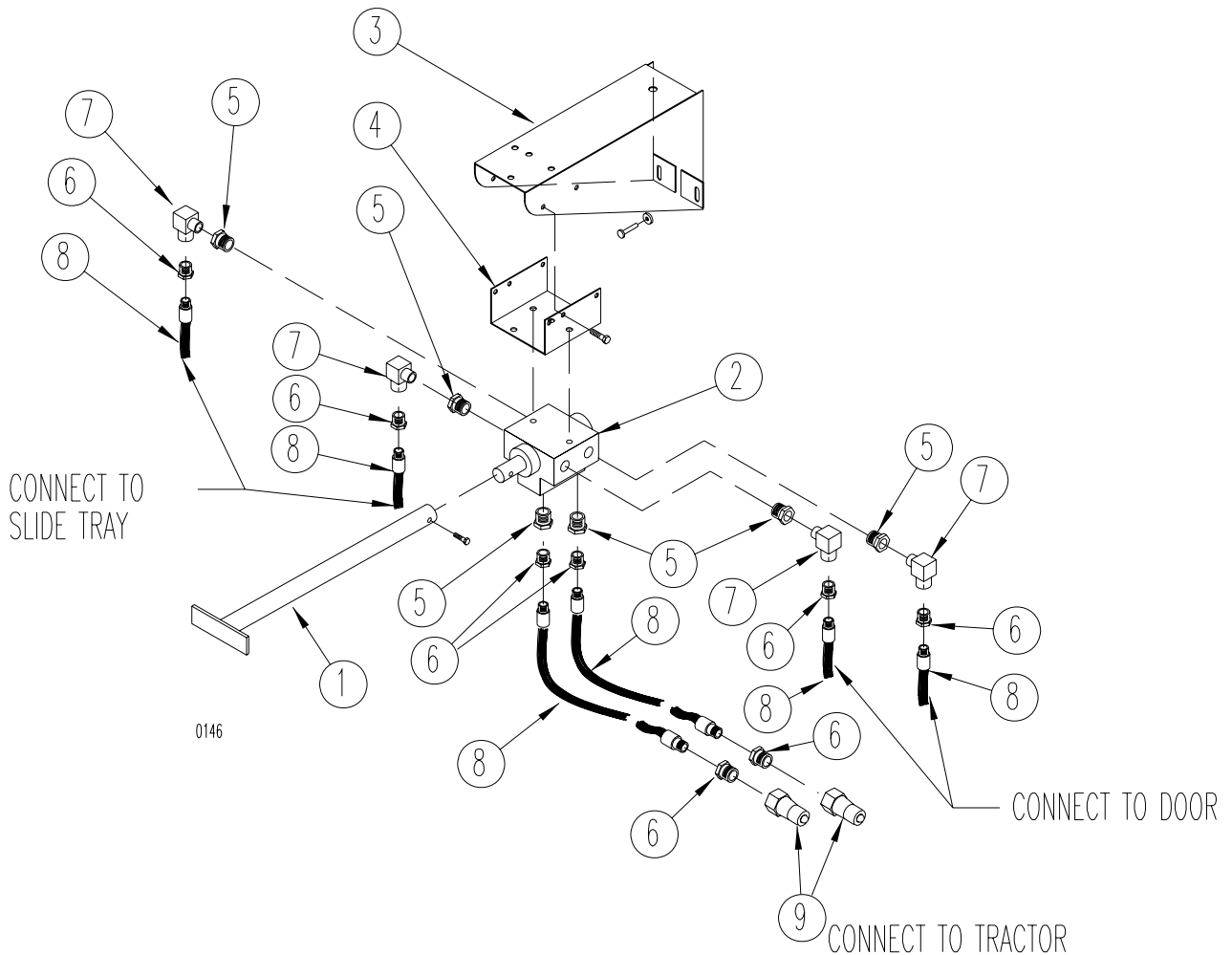


### Selector Valve - Slide Tray Option

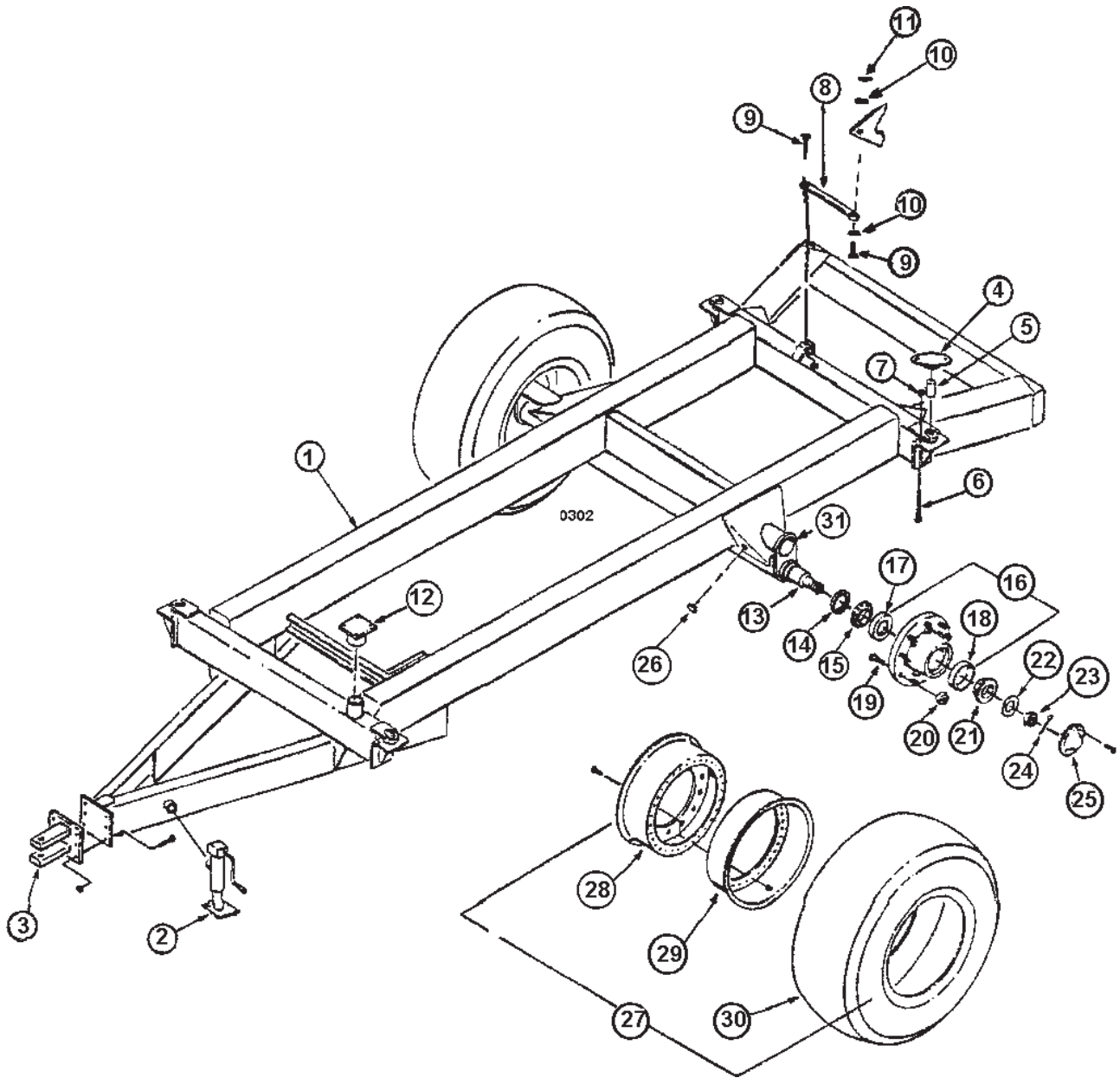
REF	PART NO	QTY	DESCRIPTION
1	101-791	1	Control Handle Assy Mtg Hrd: 1/4" x 1-1/2" Bolt & LN
2	101-891	1	Selector Valve Assy (Seal Kit #172-784) Mtg Hrd: 3/8" x 3" B, FW, LW, & Nut (2ea)
3	136-726	1	Selector valve mount; Mtg Hrd; 5/16" x 1" Bolt, FW, LW, Nut (2 ea)
4	134-136	1	Mounting Bracket; Mtg Hrd; 5/16" x 3/4" Bolt, LW, Nut (4 ea)
5	171-430	6	Connector; Reducer 3/4" To 1/2"
6	170-235	6	Connector; Reducer 1/2" To 3/8"
7	171-136	4	Connector; Elbow 1/2" - 90 Degree
8	171-998	6	Hyd Hose; 1/4" x 118" Long 3/8" Ends
9	175-536	2	Pioneer Quick Coupler

**FIELD INSTALLATION NOTE:**

For field installation use the above parts except (4) 170-235 & (4) 171-998.



### Undercarriage Parts

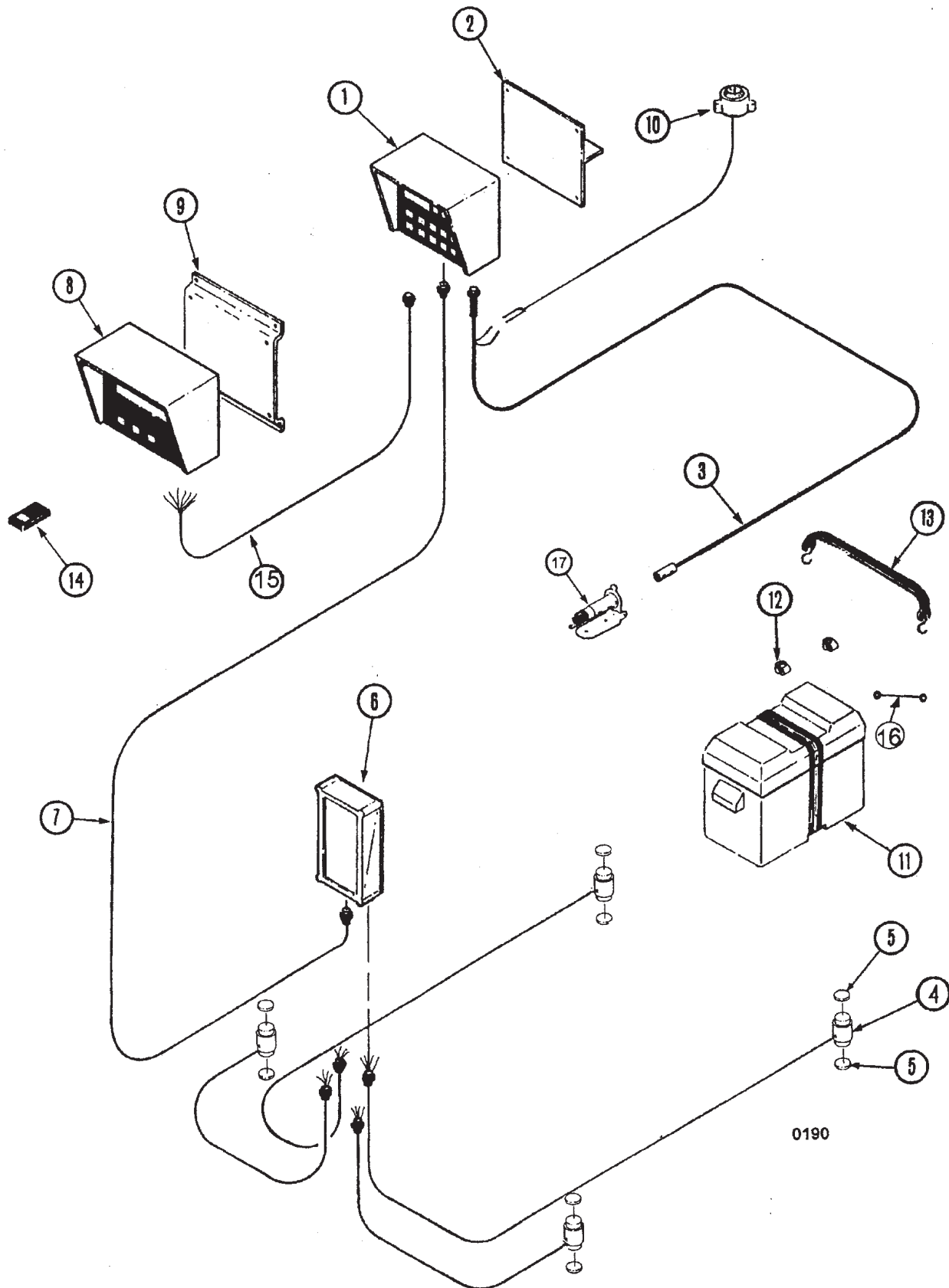


## Undercarriage Parts

REF	PART NUMBER	QTY	DESCRIPTION
1	102-426	1	Undercarriage Weldment (3036 only)
	102-412	1	Undercarriage Weldment (3042 only)
2	171-610	1	Jackstand (refer to jackstand parts pages for parts breakdown)
3	102-307	1	Clevis Hitch; Mtg Hrd: 3/4" x 2" Bolt, (grade8) Ln, (grade 8)(4ea)
4	102-325	4	Load Cell Mount; Mtg Hrd: 1/2" x 3/4" Bolt, Fw(2ea), Lw, Nut
5	135-961	4	Dummy Load Cell
6	173-019	4	Retaining Bolt; 5/8" x 7-1/2" (grade5) and (170-006) Flat Washer
7	170-013	4	Lock Nut; 5/8" (grade 5) and (170-006) Flat Washer
8	102-326	1	Check Arm
9	171-899	2	Bolt; 3/4" x 3 1/2" (grade 8)
10	170-015	2	Flat Washer; 3/4"
11	171-900	2	Lock Nut; 3/4" (grade 8)
12	102-417	1	Check Bearing; Mtg Hrd: 1/2" x 1-3/4" Bolt, Fw(2ea), Ln
13	136-373	2	Spindle, 3 3/8" X 17 3/4" ; Mtg Hrd: 1/2" x 5" Bolt (grade 5)
14	172-362	2	Grease Seal (C/R 33772)
15	172-360	2	Bearing Cone; (inner) 2.75 (Timken #33275)
16	172-396	2	Wheel Hub Assembly; 10 Bolt
17	172-361	1	Bearing Race (inner) 4.63 (Timken #33462)
18	170-922	1	Bearing Race (outer) 4.25 (Timken #453A)
19	174-784	10	Wheel Stud; 3/4"
	170-919 <sup>A</sup>	10	Wheel Stud; 3/4"
20	170-920	10	Wheel Nut; 3/4" NF
21	170-921	2	Bearing Cone; (outer) 1.75 (Timken #460)
22	170-928	2	Spindle Washer; 1-3/4" (heavy)
23	170-927	2	Spindle Nut; 1-1/4" NF (slotted)
24	170-056	2	Cotter Pin; 1/4" x 2"
25	170-926	2	Hub Cap; Mtg Hrd: 5/16" x 3/4" Bolt (4ea)
26	172-819	4	Plug; Plastic Cap
27	173-300	2	Wheel and Tire Assembly (optional); 40 x 14.5 - 10 hole
28	173-301	1	Wheel Rim (inner)
29	173-302	1	Wheel Rim (outer)
30	173-926	1	Tire, 40 x 14.5 Aircraft
	173-917	1	Inner Tube; H40 X 14.5
	173-916	1	Tire Liner Flap; H40 X 14.5
	171-616	2	Wheel Rim; 10 Bolt (optional) 22.5 X 11.25
	171-653	2	Tire; Duplex 15 x 22.5
31	173-313	2	Plug; Plastic Cap

A: Use before serial number: 3036 # 660 3042 # 948

Scale Parts



**Scale Parts**

REF	PART NO	QTY	DESCRIPTION
1	172-128	1	Digi-Star Model EZ-2000 Basic Indicator
	172-800	1	Digi-Star Model EZ-View 2000 Indicator, 1.7" Display
	172-130	1	Digi-Star Model EZ-3200V Indicator
	174-501	1	Digi-Star Model EZ-3200V Indicator (with serial port)
	172-500	1	Digi-Star Model EZ-3200 Indicator
	174-502	1	Digi-Star Model EZ-3200 Indicator (with serial port)
	173-225	1	Weigh-Tronix Model 615 Basic Indicator
	173-226	1	Weigh-Tronix Model 615 Basic Indicator, 2" Display
	173-227	1	Weigh-Tronix Model 715 Indicator
	174-503	1	Weigh-Tronix Model 715 Indicator (with port)
	173-228	1	Weigh-Tronix Model 1015 Indicator
	174-504	1	Weigh-Tronix Model 1015 Indicator (with port)
			Mtg Hrd for all indicators: 1/4" x 3/4" Bolt, Fw, Lw & Nut (2 ea)
2	101-835	1	Indicator Mount Mtg Hrd: Spring (170-238) 3/8" x 2" Bolt, Fw & Ln
3	172-354	1	Power Cord Assy
4	175-256*	4	Load cell Weigh-Tronix 3.0 MV (silver /grey color)
	173-034*	4	Load cell Digi-Star 3.0 MV (black color)
	174-508*	4	Load cell Weigh-Tronix 2.13MV (beige color)
5	137-132	8	Shock pad (2 required for each Load Cell)
6	103-052	1	Junction Box W/15' cable; #10 x 1" SMS (2 ea)
7	173-156	1	15' Replacement Junction box cable
	172-165	1	30' Junction box extension cable (not shown)
	172-166	1	10' Junction box extension cable (not shown)
			<b>Optional Items:</b>
8	172-803	1	RD 2000 Remote, 1" Display w/ 25' Cord
	172-801	1	RD 2000V Remote, 1.7" Display w/ 25' Cord
	172-804	1	RD 2000 Remote, 1" Display w/ Transmitter & 25' Cord
	172-802	1	RD 2000V Remote, 1.7" Display w/ Transmitter & 25' Cord
	174-505	1	Weigh-Tronix 712 Remote, 1" Display w/ 30' Cord
	174-506	1	Weigh-Tronix 712XL Remote, 2" Display w/ 30' Cord
	174-507	1	Weigh-Tronix 1012 Remote, 1" Display w/ 30' Cord
9	134-409	1	Remote Indicator Mount, Mtg Hrd: 5/16" x 3/4" B, Lw, Nut (2 ea), 1/4" x 3/4" Bolt, Fw, Lw, Nut (2ea)
10	101-917	1	Digi-Star Alarm Horn Assembly Mtg Hrd: #6 x 3/4" B, Lw, Nut (2 ea)
	101-918	1	Weigh-Tronix Alarm Horn Assembly Mtg Hrd: #6 x 3/4" B, Lw, Nut (2 ea)
11	171-158	1	Battery Box
12	171-380	2	Battery Terminals
13	171-936	1	Battery Hold-Down Strap
14	172-143	1	Digi-Star hand held transmitter ( <i>Installed Receiver is Required</i> )
	172-350	1	Weigh-tronix hand held transmitter ( <i>Installed Receiver is Required</i> )
15	174-719	1	EZ-R Remote Indicator Cord
16	132-988	1	16 Ga. Ground
17	170-415	1	Plug - Tractor Mount

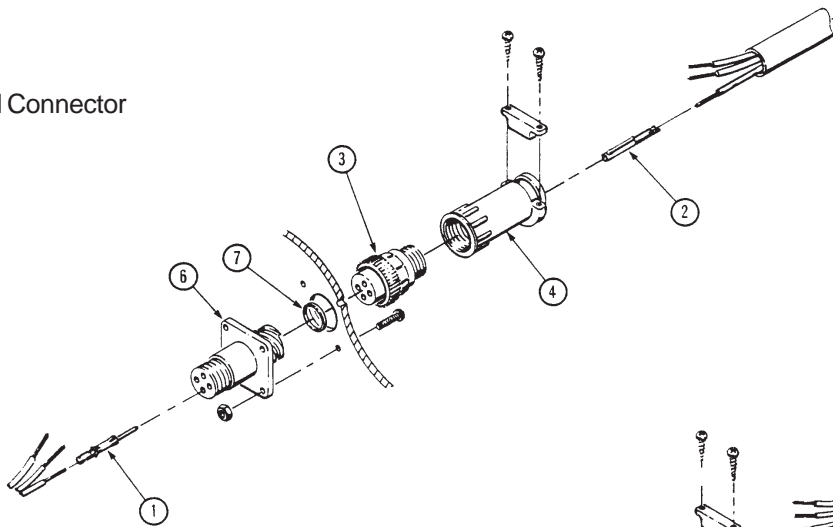
## Service Tools:

172-386	Precision Calibrator For Scale Indicators
171-960	Cord Splice Kit

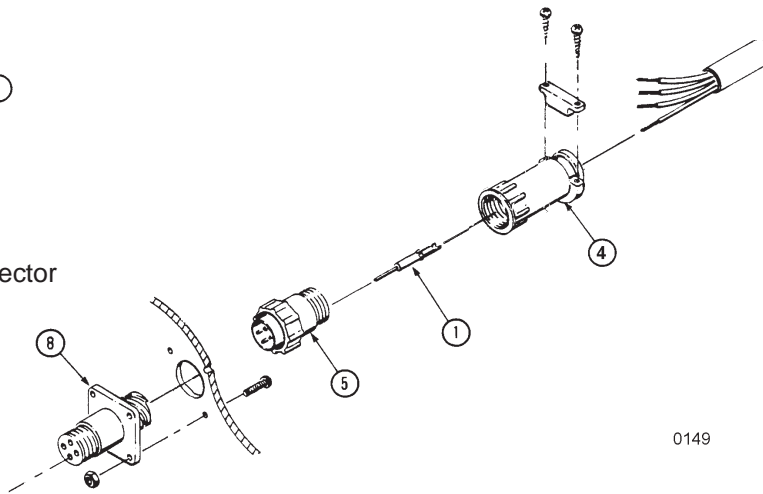
\* All (4) load cells should be Weigh-tronix or Digi-Star of the same MV rating to properly function and will work with either the Digi-Star or Weigh-tronix indicator.

**Scale Connector Repair Parts**

Power Cord Connector

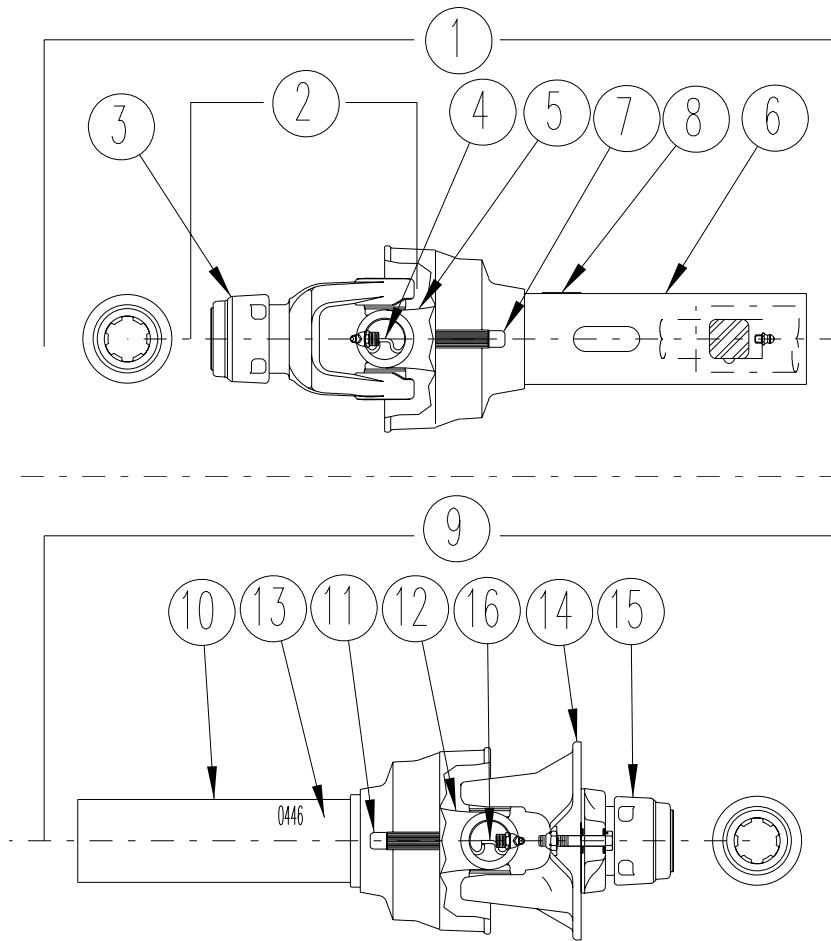


Junction Box Cord Connector



0149

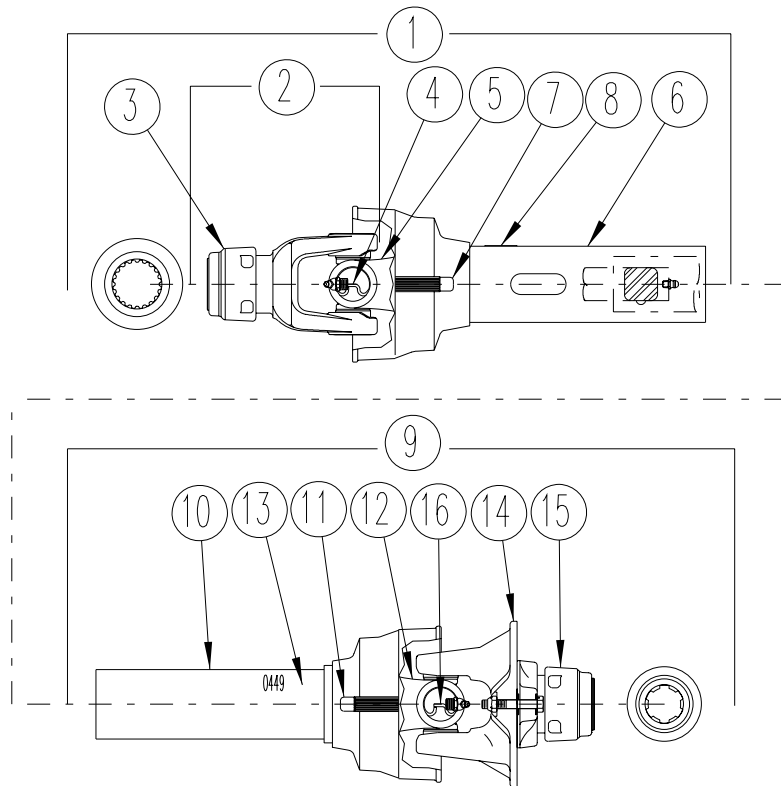
REF	PART NUMBER	QTY	DESCRIPTION
1	173-211	4	Contact Pin
2	173-212	4	Contact Socket
	173-216	1	Pin Extraction Tool ( <i>not shown</i> )
3	173-213	1	Power Cord Connector
	174-923	1	Nut; Connector
4	173-214	1	Power Cord Strain Relief
5	173-215	1	Junction Box Cord Connector
	174-923	1	Nut; Connector
6	173-217	1	Power Connector Chassis
7	173-218	1	Seal for Power Connector Chassis
8	173-219	1	Load Cell Connector Chassis

**PTO Driveline Parts - 540 RPM - 6 Spline (NON-CV)***(540 RPM - 6 Spline - 1-3/8" Yoke)*

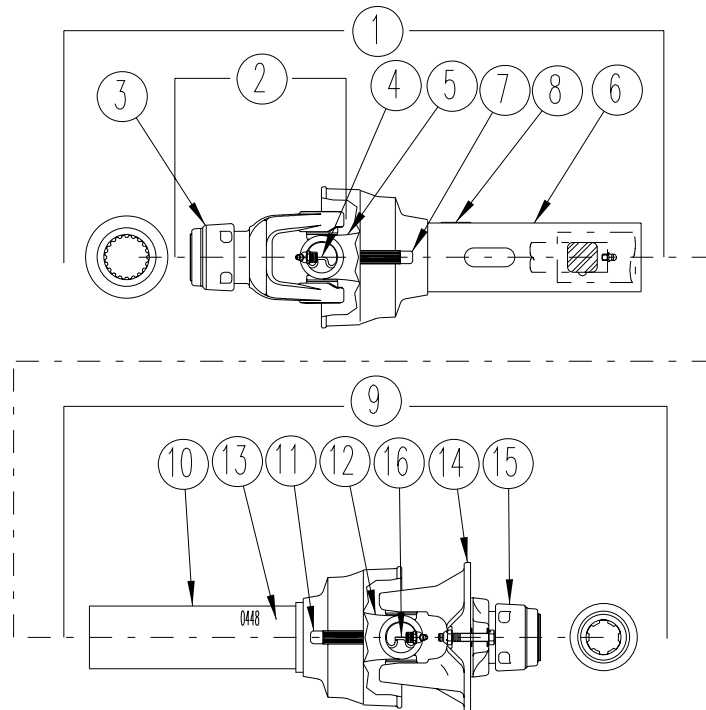
REF	PART NUMBER	QTY	DESCRIPTION
	173-309	1	Driveline Complete
1	173-316	1	Joint and Shaft Half with Guard
2	171-542	1	Yoke Assembly
3	171-544	1	Safety Slide Lock Repair Kit
4	170-776	1	Cross and Bearing Kit
5	173-318	1	Yoke and Shaft
6	173-320	1	Outer Guard
7	170-220	1	Nylon Repair Kit
8	171-550	1	Safety Decal
9	172-989	1	Joint and Tube Half with Guard
10	172-847	1	Inner Guard
11	170-220	1	Nylon Repair Kit
12	172-845	1	Yoke Tube and Slip Sleeve
13	171-799	1	Safety Decal
14	172-924	1	Ball Shear Clutch
	172-987	1	Shear Bolt; 5/16" x 2" (grade 5)
	170-028	1	Lock Nut; 5/16" (grade 5)
15	171-544	1	Safety Slide Lock Repair Kit
16	170-776	1	Cross and Bearing Kit

**PTO Driveline Parts - 1000 RPM - 20 Spline (NON-CV)**

(1000 RPM - 20 Spline - 1-3/4" Yoke)



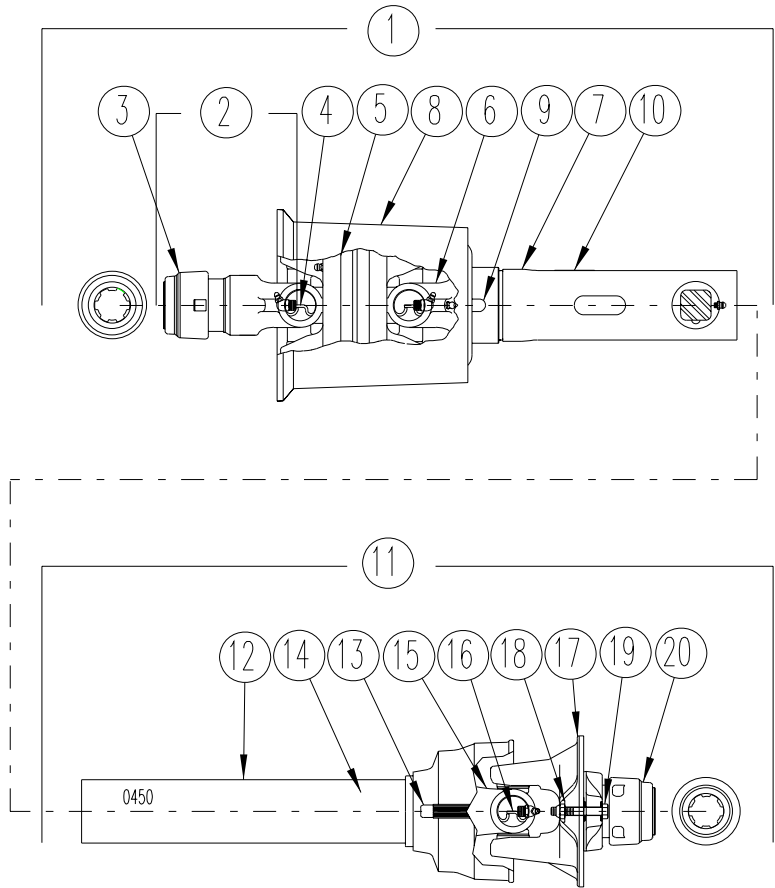
REF	PART NUMBER	QTY	DESCRIPTION
	173-312	1	Driveline Complete
1	173-317	1	Joint and Shaft Half with Guard
2	172-447	1	Yoke Assembly
3	172-496	1	Safety Slide Lock Repair Kit
4	170-776	1	Cross and Bearing Kit
5	173-319	1	Yoke and Shaft
6	173-321	1	Outer Guard
7	170-220	1	Nylon Repair Kit
8	171-550	1	Safety Decal
9	172-907	1	Joint and Tube Half with Guard
10	172-994	1	Inner Guard
11	170-220	1	Nylon Repair Kit
12	172-993	1	Yoke Tube and Slip Sleeve
13	171-799	1	Safety Decal
14	172-925	1	Ball Shear Clutch
	172-986	1	Shear Bolt; 1/4" x 2" (grade5)
	170-069	1	Lock Nut; 1/4" (grade 5)
15	171-544	1	Safety Slide Lock Repair Kit
16	170-776	1	Cross and Bearing Kit

**PTO Driveline Parts - 1000 RPM - 21 Spline (NON-CV)***(1000 RPM - 21 Spline - 1-3/8" Yoke)*

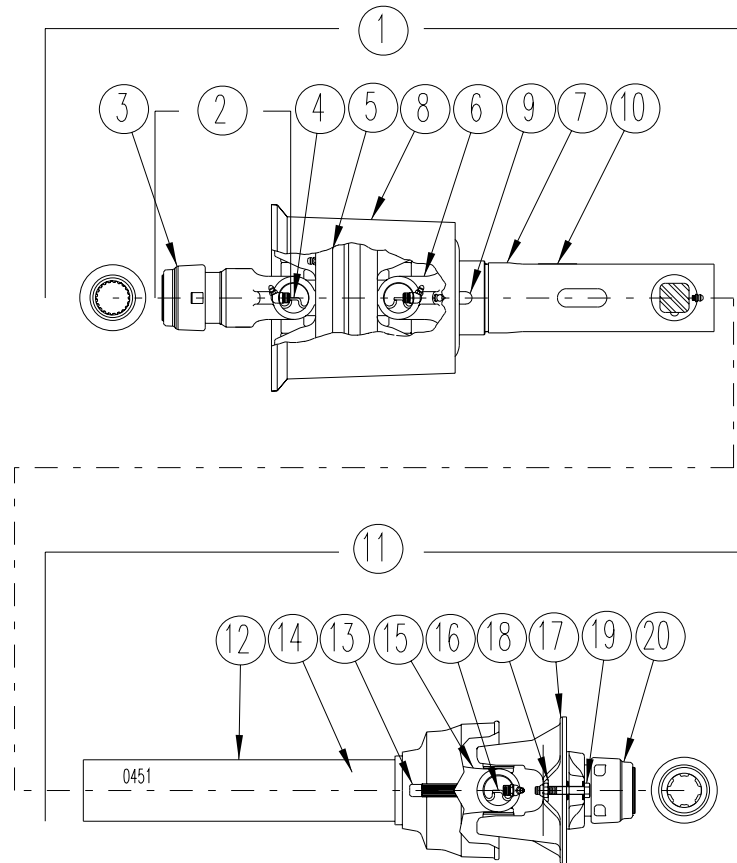
REF	PART NUMBER	QTY	DESCRIPTION
	173-308	1	Driveline Complete
1	173-315	1	Joint and Shaft Half with Guard
2	171-543	1	Yoke Assembly
3	171-544	1	Safety Slide Lock Repair Kit
4	170-776	1	Cross and Bearing Kit
5	173-318	1	Yoke and Shaft
6	173-320	1	Outer Guard
7	170-220	1	Nylon Repair Kit
8	171-550	1	Safety Decal
9	172-990	1	Joint and Tube Half with Guard
10	172-847	1	Inner Guard
11	170-220	1	Nylon Repair Kit
12	172-845	1	Yoke Tube and Slip Sleeve
13	171-799	1	Safety Decal
14	172-925	1	Ball Shear Clutch
	172-986	1	Shear Bolt; 1/4" x 2" ( <i>grade5</i> )
	170-069	1	Lock Nut; 1/4" ( <i>grade 5</i> )
15	171-544	1	Safety Slide Lock Repair Kit
16	170-776	1	Cross and Bearing Kit

**CV-PTO Driveline Parts - 540 RPM - 6 Spline**

(540 RPM - 6 Spline - 1-3/8" Yoke)



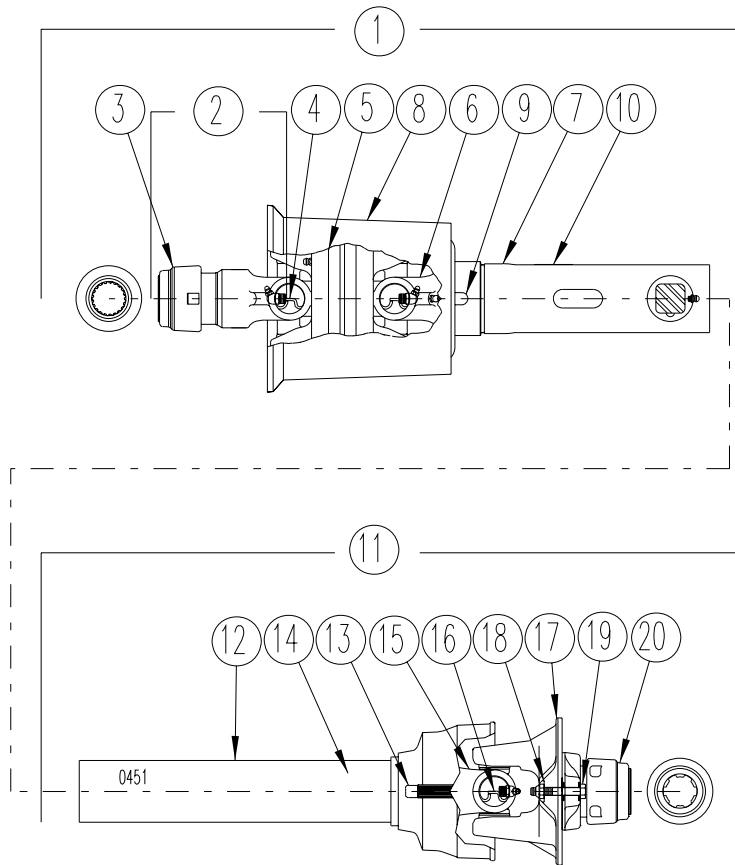
REF	PART NUMBER	QTY	DESCRIPTION
	172-920	1	Driveline Assembly - 80° CV
1	172-842	1	Outer Joint and Shaft Half with Guard
2	172-991	1	Spring Lock Yoke Assembly
3	171-544	1	Safety Slide Lock Repair Kit
4	172-852	2	Cross and Bearing Kit
5	172-303	1	Center Housing
6	172-846	1	Yoke and Shaft Assembly
7	172-848	1	Outer Guard
8	172-304	1	Bell Extension with Nylon Centralizer
9	170-220	1	Nylon Repair Kit
10	171-550	1	Safety Decal
11	172-989	1	Inner Joint and tube Half with Guard
12	172-847	1	Inner Guard
13	170-220	1	Nylon Repair Kit
14	171-799	1	Safety Decal
15	172-845	1	Yoke Tube and Slip Sleeve
16	170-776	1	Cross and Bearing Kit
17	172-924	1	Ball Shear Assembly
18	170-028	1	Lock nut; 5/16" (grade 5)
19	172-987	1	Shear Bolt; 5/16" x 2" (grade 5)
20	171-544	1	Safety Slide Lock Repair Kit

**CV-PTO Driveline Parts - 1000 RPM - 20 Spline***(1000 RPM - 20 Spline - 1-3/4" Yoke)*

REF	PART NUMBER	QTY	DESCRIPTION
	172-922	1	Driveline Assembly - 80° CV
1	172-841	1	Outer Joint and Shaft Half with Guard
2	172-851	1	Safety Slide Lock Yoke Assembly
3	171-496	1	Safety Slide Lock Repair Kit
4	172-852	2	Cross and Bearing Kit
5	172-303	1	Center Housing
6	172-915	1	Yoke and Shaft Assembly
7	172-916	1	Outer Guard
8	172-304	1	Bell Extension with Nylon Centralizer
9	170-220	1	Nylon Repair Kit
10	171-550	1	Safety Decal
11	172-907	1	Inner Joint and tube Half with Guard
12	172-994	1	Inner Guard
13	170-220	1	Nylon Repair Kit
14	171-799	1	Safety Decal
15	172-993	1	Yoke Tube and Slip Sleeve
16	170-776	1	Cross and Bearing Kit
17	172-925	1	Ball Shear Assembly
18	170-069	1	Lock nut; 1/4" (grade 5)
19	172-986	1	Shear Bolt; 1/4" x 2" (grade 5)
20	171-544	1	Safety Slide Lock Repair Kit

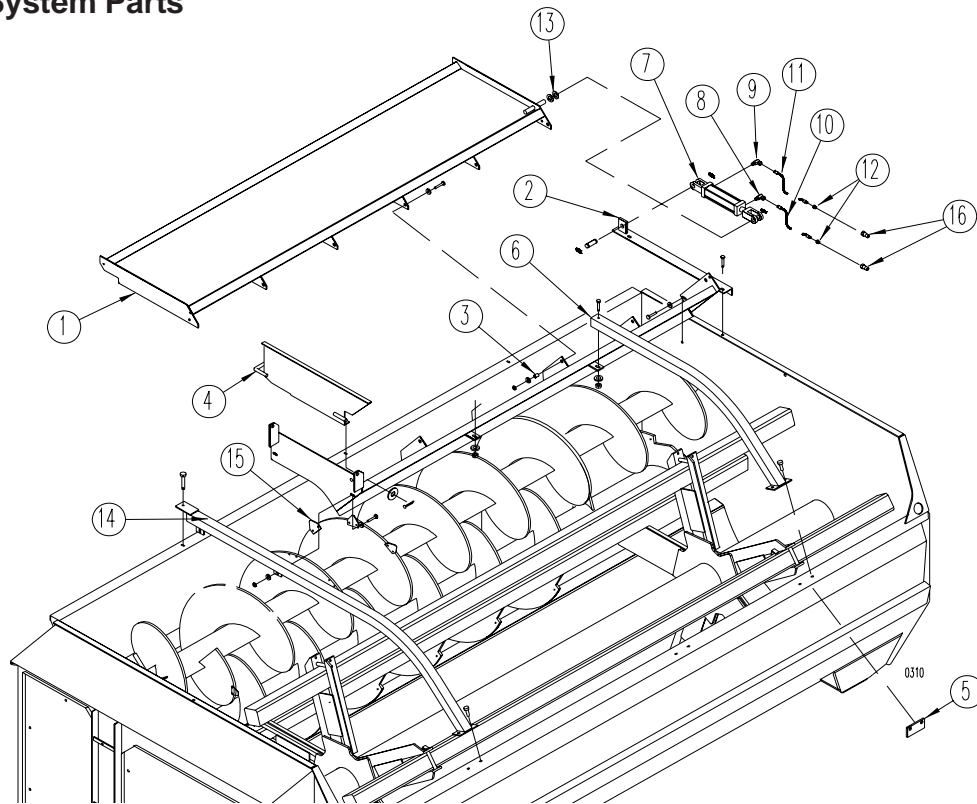
**CV-PTO Driveline Parts - 1000 RPM - 21 Spine**

(1000 RPM - 21 Spine - 1-3/8" Yoke)



REF	PART NUMBER	QTY	DESCRIPTION
	172-921	1	Driveline Assembly - 80° CV
1	172-843	1	Outer Joint and Shaft Half with Guard
2	172-992	1	Spring Lock Yoke Assembly
3	171-544	1	Safety Slide Lock Repair Kit
4	172-852	2	Cross and Bearing Kit
5	172-303	1	Center Housing
6	172-846	1	Yoke and Shaft Assembly
7	170-848	1	Outer Guard
8	172-304	1	Bell Extension with Nylon Centralizer
9	170-220	1	Nylon Repair Kit
10	171-550	1	Safety Decal
11	172-990	1	Inner Joint and tube Half with Guard
12	172-847	1	Inner Guard
13	170-220	1	Nylon Repair Kit
14	171-799	1	Safety Decal
15	172-845	1	Yoke Tube and Slip Sleeve
16	170-776	1	Cross and Bearing Kit
17	172-925	1	Ball Shear Assembly
18	170-069	1	Lock nut; 1/4" (grade 5)
19	172-986	1	Shear Bolt; 1/4" x 2" (grade 5)
20	171-544	1	Safety Slide Lock Repair Kit

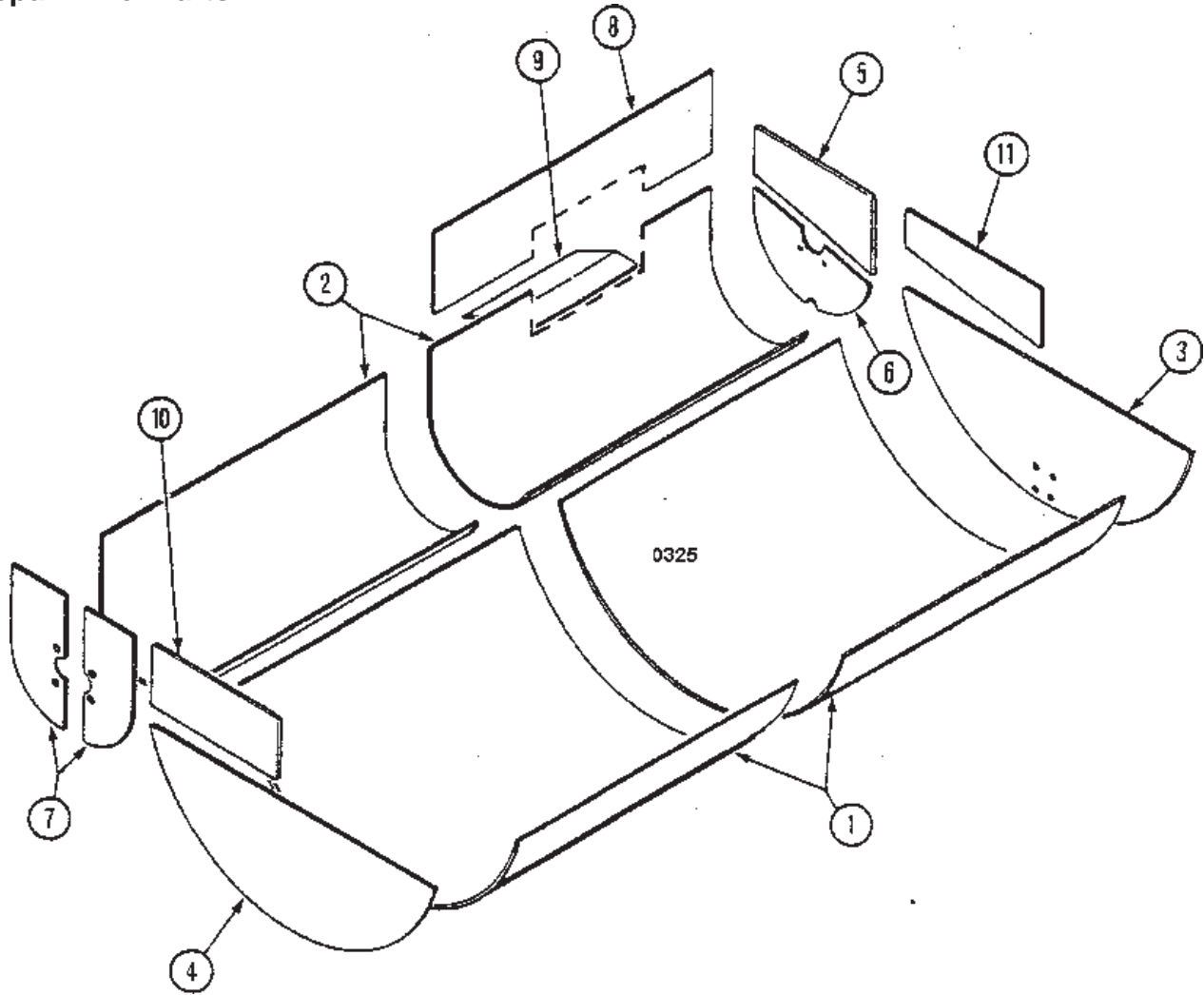
## HAY-MAXX System Parts



REF	PART NUMBER	QTY	DESCRIPTION
1	102-553	1	Upper Hay-Max Attachment (3036 only)
	102-484	1	Upper Hay-Max Attachment (3042 only)
	102-418 <sup>A</sup>	1	Upper Hay-Max Attachment (3036 only)
	102-427 <sup>A</sup>	1	Upper Hay-Max Attachment (3042 only)
2	102-481	1	Lower Hay-Max Attachment (3036 only)
	102-485	1	Lower Hay-Max Attachment (3042 only)
	102-419 <sup>A</sup>	1	Lower Hay-Max Attachment (3036 only)
	102-428 <sup>A</sup>	1	Lower Hay-Max Attachment (3042 only)
			Mtg Hrd: 1/2" x 1-1/4" Bolt, Lw, Fw, Nut (2ea), 1/2" x 1-1/4" Bolt, Ln (1ea); Flat washer spacers as required
3	134-771	5	Pivot Bushing (3036), (6 req'd 3042)
4	102-479	1	Hay Maxx Backstop Assy; Mtg Hrd: 3/4" Fw, 3/16" x 2" Cotter Pin
5	134-012	2	Bucket Guard Mount
6	102-022	1	Bucket Guard; Mtg Hrd: 1/2" x 3" Bolt (1ea), 3/8" x 1 1/4" B, Lw, N(2 ea)
7	173-273	1	Hydraulic Cylinder; 2" dia. x 10" stroke (seal kit #170-075)
8	171-030	1	Swivel Adapter; 3/8" x 90°
9	171-723	1	Swivel Restrictor; 3/8" x 90°
10	170-468	1	Hydraulic Hose; 1/4" x 162" long
11	170-471	1	Hydraulic Hose; 1/4" x 170" long
12	170-235	2	Reducer Fitting; 1/2" to 3/8"
13	170-122	A/R	Spacer Washer; 1" SAE Flat
14	102-480	1	Bucket Guard; Mtg Hrd: 3/8" x 1 1/4" B, Lw, N(2 ea), 1/2" x 1 1/4" B, Fw, Ln(1ea)
15	136-921	8	Knife Backing Plate; Mtg Hrd: 5/16" x 1" Bolt, Lw & Nut (2 ea)
	172-442	1	Electric Switching Valve (optional) Mounted on tractor (Not Shown)

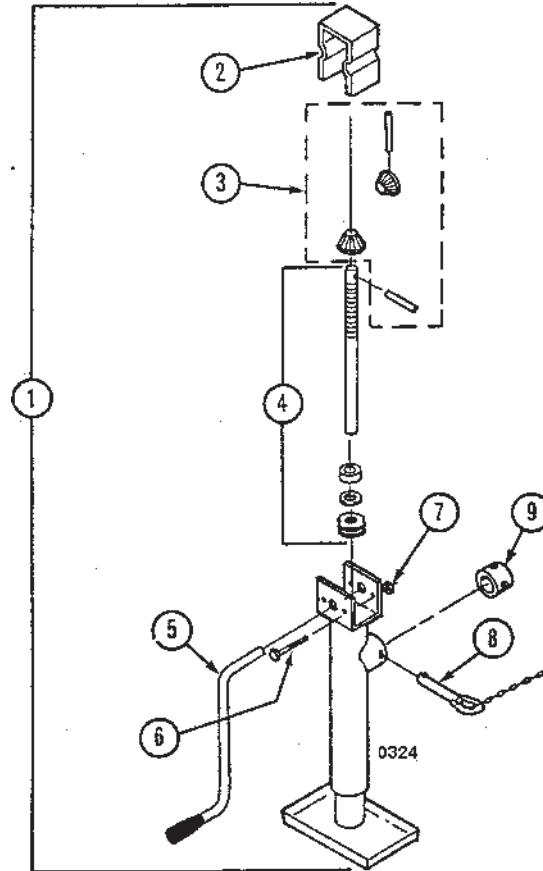
A: Use for serial numbers: 3036: 359 and before, 3042: 435 and before

**Repair Liner Parts**



REF	PART NUMBER		QTY	DESCRIPTION
	HOT ROLL STEEL	STAINLESS STEEL		
1	134-722	134-975	1	Reel Liner (3036 only)
	134-724	134-974	1	Reel Liner (3036 only)
	134-722	134-975	2	Reel Liner (3042 only)
	136-459	136-463	1	Reel Liner (3042 only)
2	134-723	134-976	1	Auger Liner (3036 only)
	134-725	134-977	1	Auger Liner (3036 only)
	134-723	134-977	2	Auger Liner (3042 only)
	136-460	136-464	1	Auger Liner (3042 only)
3	134-719	134-983	1	Reel End Panel (front)
4	134-718	134-984	1	Reel End Panel (rear)
5	136-458	136-462	1	Auger End Panel Liner (front)
6	136-724	136-725	1	Auger End Panel Liner (front)
7	134-720	134-982	1	Auger End Panel Liner (rear)
8	136-457	136-461	1	Upper Door Liner
9	134-716	134-980	1	Door Opening Liner
10	134-717	134-979	1	Upper Reel End Liner (rear)
11	136-456	136-465	1	Upper Reel End Liner (front)

## Jackstand Parts



REF	PART NUMBER	QTY	DESCRIPTION
1	171-610	1	Jack Sidewind 7000Lbs.
2	171-814	1	Cover
3	171-614	1	Gear Kit (2 Bevel Gears, 2 Pins)
4	171-611	1	Screw, Nut, Bearing and Washer Assembly
5	171-612	1	Crank Assembly
6	170-509	2	Carriage Bolt; 1/4" x 3"
7	170-125	2	1/4" Nut
8	171-613	1	Pull Pin
9	171-615	1	Mount Tube Assembly

**Decal and Paint List**

The following decals are listed below for your convenience.  
Use the operator's manual for decal location and part number ordering.

<b>PART NUMBER</b>	<b>QTY</b>	<b>DESCRIPTION</b>
173-357	1	Complete Decal Set (3036 only)
173-358	1	Complete Decal Set (3042 only)
170-490	1	Reduce Engine RPM...
170-849	3	WARNING, Stay Clear Of Power Driven Parts
170-893	1	SMV
171-712	1	Retighten Setscrews...
171-748	1	Door Height Gauge
171-820	4	DANGER, Rotating Auger Inside
171-911	1	CAUTION, Operating Precautions
171-913	1	WARNING, Do Not Operate Unless Shields Are In Place
171-914	2	WARNING, Stay Clear of Chute...
171-915	1	DANGER, Do Not Operate! Shield Missing
171-947	4	DANGER, Do Not Hand Load
171-948	1	BEWARE, Operating Mixer While Loading
171-949	1	Patent Information
172-292	1	Mixer Fill Line
172-786	1	DANGER, Keep Away, Rotating Driveline
172-820	1	CAUTION, Lifting Instructions
172-883	1	Oil Level Plug
173-040	1	CAUTION, PTO Operation
173-041	1	Shearbolt Clutch Adjustment
173-044	1	Made in Wisc...
173-078	1	DANGER, Shield Missing
173-447	2	"REEL AUGGIE"
173-448	11'	Black Stripe
	14'	Black Stripe
174-514	3	"KUHNNIGHT"
174-560	2	"3036"
174-561	2	"3042"
174-686	3	Red Reflector
174-687	1	Amber Reflector
173-044	1	Made in Wisconsin

**Power Chute and Slide Tray Decals:**

171-914	2	WARNING - Stay Clear of Chute...
174-687	1	Amber Reflector
174-686	1	Red Reflector

**PTO Driveline Decals:**

171-550	1	DANGER - Rotating Driveline
171-799	1	DANGER - Shield Missing
171-599	1	Do Not Exceed 540 RPM (540 RPM units only)
171-609	1	Do Not Exceed 1000 RPM (1000 RPM units only)

**PAINT:**

170-366	Kuhn Knight Yellow - Aerosol Can	170-367	Kuhn Knight Red - Aerosol Can
170-812	Kuhn Knight Yellow - Quart Can	170-814	Kuhn Knight Red - Quart Can
170-813	Kuhn Knight Yellow - Gallon Can	170-815	Kuhn Knight Red - Gallon Can

**HAY MAXX Decals:**

172-449	1	Patent. . .
174-556	1	HAY MAXX SYSTEM

## Optional Kits

### Safety Chain for Towed Equipment P/N 173-077

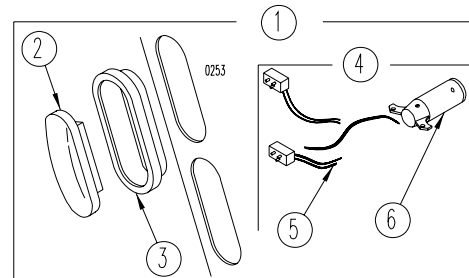
This chain is designed to retain the connection between towing and towed machines, in the event of separation of the primary attaching system. It should be utilized whenever the unit is on the highway.

### Light Kit For Towed Equipment

This light kit is designed for lighting and marking of agricultural field equipment whenever the equipment is on a highway. This kit is pre-assembled, and it includes mounting hardware.

**Light Parts** - these lights furnished standard after serial number 3036-568 and 3042-769.

PART NO	QTY	DESCRIPTION
1 174-675	1	Light Kit
2 174-673	2	Amber Light
2 174-674	2	Red Light
3 174-725	4	Grommet
4 174-775	1	Wire Harness
5 174-724	4	Light Plug with pigtail
6 172-110	1	7-pin Connector



For units before serial number 3036-568 and 3042-769.

PART NO	QTY	DESCRIPTION
300-007	1	Complete Light Kit - Assembled
172-173	2	Red And Amber Light Assembly
172-174	25'	4 Conductor Wire
172-175	1	4 Pin In-Line Connector (Male & Female)
172-110	1	7 - Pin Female Connector (option)

## Hardware and Part Number List

All fasteners are NC thread, Grade 5 unless otherwise specified.

### HEX HEAD BOLTS

Size	Part No
1/4 x 1/2	173-279
1/4 x 3/4	170-803
1/4 x 7/8	171-094
1/4 x 1	170-310
1/4 x 1-1/2	170-068
1/4 x 2	172-986
1/4 x 2 (Grade 8)	175-073
1/4 x 2-3/4	171-203
1/4 x 3	171-403
1/4 x 3-1/2	173-640
1/4 x 4	173-505
5/16 x 5/8	170-532
5/16 x 3/4	170-262
5/16 x 3/4 (Stainless steel)	174-787
5/16 x 7/8	170-256
5/16 x 1	170-027
5/16 x 1-1/4 (Full thread)	170-188
5/16 x 1-1/2	170-372
5/16 x 1-3/4	170-263
5/16 x 2	172-987
5/16 x 2-1/2	170-369
5/16 x 3	170-295
5/16 x 3-1/4	171-639
5/16 x 3-1/2	173-748
5/16 x 4	170-293
5/16 x 4-1/2	170-294
5/16 x 5 (Grade 8)	172-983
5/16 x 5-1/2 (Grade 8)	172-952
3/8 x 3/4	170-439
3/8 x 3/4 (Stainless steel)	174-788
3/8 x 7/8	170-268
3/8 x 7/8 (soc. hd.capscrew)	172-044
3/8 x 1	170-054
3/8 x 1-1/4	170-005
3/8 x 1-1/4 (Stainless steel)	174-917
3/8 x 1-1/2	170-368
3/8 x 1-3/4	172-383
3/8 x 2	170-245
3/8 x 2-1/4	170-320
3/8 x 2-1/2	170-257
3/8 x 2-1/2 (Full thread)	170-128
3/8 x 2-1/2 (Lag)	171-775
3/8 x 3	170-380
3/8 x 3-1/2	170-292
3/8 x 4	170-877
3/8 x 4-1/4 (Black oxide)	171-813
3/8 x 4-1/2	170-519
3/8 x 5	170-493
3/8 x 5-1/2	174-196
3/8 x 5-1/2 (Full thread)	170-593
3/8 x 6	174-304
3/8 x 6-1/2	171-291
3/8 x 7	172-587
7/16 x 3/4	170-265
7/16 x 1	170-032
7/16 x 1-1/4	170-354
7/16 x 1-1/4 (Grade 8)	174-216
7/16 x 1-1/2	170-059
7/16 x 2	170-356
7/16 x 2-1/2	170-379
7/16 x 3	170-270
7/16 x 5-1/2	170-377
7/16 x 6	170-378
1/2 x 3/4	171-252
1/2 x 1	170-149
1/2 x 1-1/4	170-373

1/2 x 1-1/2	170-002
1/2 x 1-1/2 (Grade 8)	172-951
1/2 x 1-3/4	171-774
1/2 x 2	171-802
1/2 x 2-1/4	172-387
1/2 x 2-1/2	170-885
1/2 x 2-1/2 (Full thread)	171-099
1/2 x 2-3/4	172-007
1/2 x 3	170-168
1/2 x 3-1/2	170-167
1/2 x 3-1/2 (Grade 8)	172-950
1/2 x 4	173-111
1/2 x 4 (Full thread)	171-509
1/2 x 5	171-412
1/2 x 6	173-506
1/2 x 6 (Grade 8)	174-944
1/2 x 6-1/2	173-711
1/2 x 7	174-328
1/2 x 7-1/2	175-107
1/2 x 8-1/2	170-504
1/2 x 11	170-506
9/16 x 1	173-699
9/16 x 1-1/4	173-700
9/16 x 1-1/2	173-701
9/16 x 2	172-219
5/8 x 1	171-087
5/8 x 1-1/4	171-366
5/8 x 1-1/2	170-153
5/8 x 1-3/4 (Full thread)	170-030
5/8 x 2	170-009
5/8 x 2 (Full thread)	171-772
5/8 x 2-1/4	173-009
5/8 x 2-1/2	172-381
5/8 x 2-1/2 (Full thread)	170-129
5/8 x 2-3/4	172-356
5/8 x 3	170-258
5/8 x 3-1/2	170-038
5/8 x 4	170-371
5/8 x 4-1/2	170-067
5/8 x 5	170-065
5/8 x 5-1/2	172-421
5/8 x 6	170-381
5/8 x 6-1/2	173-777
5/8 x 7-1/2	173-019
5/8 x 9-1/2	171-039
3/4 x 1-1/2	173-507
3/4 x 2	171-768
3/4 x 2 (Full thread)	170-058
3/4 x 2 (Grade 8)	171-877
3/4 x 2-1/4	171-275
3/4 x 2-1/2	170-374
3/4 x 2-1/2 (Grade 8)	175-055
3/4 x 3	170-014
3/4 x 3 UNF	173-776
3/4 x 3-1/2	170-195
3/4 x 3-1/2 (Grade 8)	171-899
3/4 x 4	170-419
3/4 x 4 (Grade 8) UNF	173-579
3/4 x 4-1/2	170-846
3/4 x 4-1/2 (Grade 8)	173-039
3/4 x 4-1/2 (Grade 8) UNF	173-588
3/4 x 5	173-508
3/4 x 5 UNF	173-510
3/4 x 5-1/2 (Grade 8) UNF	173-514
3/4 x 6	171-116
3/4 x 6 UNF	173-511
3/4 x 6 (Grade 8)	173-231
3/4 x 7	173-745

3/4 x 7 UNF	173-747
3/4 x 7-1/2	175-004
3/4 x 8	173-509
7/8 x 2-1/4	172-892
7/8 x 3	172-002
7/8 x 3-1/2	173-020
7/8 x 4	173-299
7/8 x 4 UNF	171-092
7/8 x 6-1/2	173-774
7/8 x 7	173-749
7/8 x 7 UNF	174-097
7/8 x 8	173-750
7/8 x 8 UNF	173-515
1 x 3-1/2	173-021
1 x 4	175-119
1 x 4 (Grade 8)	175-248
1 x 7 UNF	173-516
1 x 8	174-723
1 x 8 (grade 8) UNF	173-711
1-1/4 x 4-1/2 (grade 8)	175-003
M8 x 16MM (Grade 8.8)	174-610
M8 x 20MM (Grade 8.8)	175-193
M8 x 25MM (Grade 8.8)	174-900
M10 x 22MM (Grade 8.8)	175-016
M10 x 25MM (Grade 8.8)	173-344
M12 x 25MM (Grade 8.8)	171-566
M12 x 35MM (Grade 8.8)	175-020
M12 x 40MM (Grade 12.9)	175-190
M12 x 45MM (Grade 10.9)	174-911
M14 x 30MM (Grade 8.8)	173-518

### SELF TAPPING SCREW

1/4 x 3/4	174-874
-----------	---------

### CARRIAGE BOLTS

1/4 x 1-1/4 (Grade 2)	170-311
1/4 x 1-1/2 (Grade 2)	170-355
1/4 x 2 (Grade 2)	170-299
1/4 x 2-1/2 (Grade 2)	171-394
1/4 x 2-3/4 (Grade 2)	170-508
1/4 x 3	170-509
5/16 x 1 (Grade 2)	170-370
5/16 x 1-1/2 (Grade 2)	170-296
5/16 x 2-1/2 (Grade 2)	171-395
5/16 x 5-1/2 (Grade 2)	170-494
3/8 x 3-1/2 (Grade 2)	171-283
3/8 x 4-1/2 (Grade 2)	170-191
3/8 x 5 (Grade 2)	170-495
3/8 x 6-1/2 (Grade 2)	171-174
3/8 x 8 (Grade 2)	170-297
3/8 x 13 (Grade 2)	170-298
3/8 x 13-1/2 (Grade 2)	170-300
1/2 x 1-1/2 (Grade 5)	174-918
1/2 x 6-1/2 (Grade 2)	171-098
1/2 x 9 (Grade 2)	171-255
5/8 x 2	175-110
5/8 x 2-1/2 (Grade 5)	174-790

### PLOW BOLTS

5/8 x 2	174-767
3/4 x 2-1/2	174-948

### TRUSS HEAD BOLTS

#6-32 x 3/4	172-416
#6-32 x 1	173-079
#8-32 x 1-1/2	171-210
#10-32 x 3/4	171-604
#10-32 x 1	172-882
1/4 x 3/4	170-193
1/4 x 1	170-194
5/16 x 1	170-117

## Hardware and Part Number List, continued

<b>SET SCREWS (Socket Head)(Cup Point)</b>	3/4 (Grade 8) UNF .....	173-578	<b>COTTER PINS</b>	1/16 x 1/2 .....	170-992
1/4 x 1/4 .....	7/8 .....	173-069	1/16 x 3/4 .....	1/8 x 1 .....	170-364
1/4 x 5/8 .....	7/8 UNF .....	171-093	1/8 x 1-1/4 .....	1/8 x 1-1/4 .....	170-045
5/16 x 1/4 .....	1 .....	174-928	1/8 x 1-1/2 .....	5/32 x 1 .....	170-033
5/16 x 5/16 .....	1 UNF .....	170-527	5/32 x 1-1/2 .....	5/32 x 3 .....	170-382
5/16 x 5/16 UNF .....	M45 x 1.5MM .....	175-199	5/32 x 1-1/2 .....	3/16 x 1-1/4 .....	170-421
5/16 x 3/8 UNF .....	M50 x 1.5MM .....	175-197	5/32 x 3 .....	3/16 x 2 .....	170-236
5/16 x 1/2 .....	<b>JAM NUTS</b>		3/16 x 1-1/4 .....	1/4 x 1-1/2 .....	170-135
5/16 x 5/8 UNF .....	1/4UNF .....	171-386	3/16 x 2 .....	1/4 x 2 .....	170-991
5/16 x 1 (Sq hd) .....	5/16 .....	173-521	1/4 x 1-1/2 .....	1/4 x 2-1/2 .....	170-115
5/16 x 1-1/2 .....	3/8 .....	170-022	1/4 x 2 .....		170-521
3/8 x 1/4 .....	7/16 .....	170-046	1/4 x 2-1/2 .....		170-056
3/8 x 3/8 .....	1/2 .....	170-036			173-961
3/8 x 1/2 .....	5/8 .....	170-037			
3/8 x 1/2 UNF .....	3/4 .....	170-035			
3/8 x 3/4 .....	1 .....	174-927			
3/8 x 3/4 (Sq hd) .....	<b>FLAT WASHERS</b>				
3/8 x 1 .....	#10 .....	171-525			
3/8 x 1 (Sq hd) .....	1/4 .....	170-301			
3/8 x 1 (Sq hd) (Dog pt) .....	1/4 Heavy .....	171-083			
7/16 x 7/16 .....	1/4 Fender .....	173-672			
7/16 x 1 (Sq hd) .....	5/16 .....	170-127			
1/2 x 5/8 .....	5/16 Fender .....	173-811			
1/2 x 1 .....	3/8 .....	170-244			
1/2 x 1-1/4 (half dog point) .....	3/8 Heavy .....	170-302			
5/8 x 5/8 .....	3/8 Aluminum .....	173-900			
3/4 x 3/4 (Sq hd) (Dog pt) .....	7/16 .....	170-138			
<b>HEX NUTS</b>	1/2 .....	170-040			
#6-32 .....	1/2 (Grade 8) .....	172-984			
#10-32 .....	9/16 .....	173-693			
1/4 .....	5/8 .....	170-066			
5/16 .....	5/8 (Grade 8) .....	173-581			
3/8 .....	3/4 .....	170-015			
7/16 .....	7/8 .....	173-298			
7/16 (Grade 8) UNF .....	7/8 Heavy .....	170-131			
1/2 .....	1 .....	170-122			
9/16 .....	1-1/4 .....	170-928			
5/8 .....	<b>LOCK WASHERS</b>				
3/4 .....	#6 .....	172-417			
3/4 UNF .....	#10 .....	171-605			
3/4 (Grade 8) UNF .....	1/4 .....	170-124			
7/8 .....	5/16 .....	170-118			
1 .....	3/8 .....	170-006			
1 UNF .....	7/16 .....	170-061			
1 (Grade 8) .....	1/2 .....	170-003			
1 (Grade 8) UNF .....	9/16 .....	173-692			
1-1/8 UNF .....	5/8 .....	170-010			
1-1/4 UNF .....	3/4 .....	170-016			
1-1/4 (Grade 8) .....	3/4 External Tooth .....	174-793			
M8 x 1.25MM .....	7/8 .....	172-003			
M30 x 1.5MM .....	1 .....	171-021			
M50 x 1.5MM .....	1-1/4 .....	175-005			
<b>LOCK NUTS</b>	<b>ZERKS</b>				
#6-32 .....	1/8 NPT .....	170-865			
#10-32 .....	1/8 NPT-45 Deg .....	170-864			
1/4 .....	1/8 NPT-65 Deg .....	170-215			
5/16 .....	1/8 NPT-90 Deg .....	170-866			
3/8 .....	3/16 drive in .....	174-124			
7/16 .....	1/4-28 .....	170-023			
1/2 .....	1/4-28 - 45 Deg .....	170-148			
1/2 UNF .....	1/4-28 - 90 Deg .....	170-049			
1/2 (Grade 8) .....	1/4 NPT .....	170-277			
9/16 .....	1/4 NPT - 45 Deg .....	174-130			
5/8 .....					
3/4 .....					
3/4 (Grade 8) .....					

**Part Number Index**

<b>Symbols</b>	103-758 ...17	136-322 ...7	...26, 27, 29, 30
101-227 ...17	103-780 ...17	136-327 ...13	170-073 ...14
101-231 ...17	103-781 ...17	136-331 ...7	170-074 ...14
101-736 ...17	103-918 ...17	136-332 ...7	170-075
101-737 ...17	131-894 ...7	136-333 ...7	...14, 15, 17, 31
101-791 ...18, 19	132-988 ...23	136-334 ...7	170-110 ...17
101-817 ...7	133-278 ...7	136-335 ...7	170-115 ...15
101-818 ...7	133-835 ...11, 13	136-343 ...7	170-122 ...17, 31
101-835 ...23	133-920 ...5	136-359 ...8	170-125 ...33
101-891 ...18, 19	133-942 ...17	136-360 ...14	170-149 ...7
101-917 ...23	133-943 ...17	136-361 ...5	170-220
101-918 ...23	133-952 ...17	136-362 ...5	...25, 26, 27, 28, 29, 30
102-008 ...8	134-012 ...8, 31	136-363 ...14	170-235
102-022 ...31	134-024 ...7	136-373 ...21	...14, 15, 17, 18, 19, 31
102-248 ...11, 13	134-086 ...7	136-393 ...11	170-238 ...23
102-259 ...7	134-136 ...18, 19	136-408 ...11, 13	170-244 ...8, 9
102-261 ...5	134-155 ...7	136-409 ...11, 13	170-316 ...5
102-307 ...21	134-352 ...11, 13	136-411 ...5	170-366 ...34
102-309 ...8	134-389 ...17	136-415 ...5	170-367 ...34
102-323 ...21	134-390 ...17	136-418 ...14	170-415 ...23
102-325 ...21	134-395 ...17	136-419 ...14	170-468 ...14, 15, 31
102-401 ...13	134-409 ...23	136-436 ...11, 13	170-471 ...14, 15, 31
102-402 ...11, 13	134-455 ...11, 13	136-437 ...11, 13	170-478 ...7, 15
102-406 ...11, 13	134-456 ...11, 13	136-444 ...15, 17	170-490 ...34
102-407 ...11, 13	134-491 ...11, 13	136-454 ...5	170-509 ...33
102-408 ...13	134-547 ...11, 13	136-456 ...32	170-513 ...18
102-409 ...13	134-716 ...32	136-457 ...32	170-517 ...7
102-410 ...13	134-717 ...32	136-458 ...32	170-776
102-412 ...21	134-718 ...32	136-459 ...32	...25, 26, 27, 28, 29, 30
102-413 ...11, 13	134-719 ...32	136-460 ...32	170-800 ...7
102-414 ...14	134-720 ...32	136-461 ...32	170-812 ...34
102-417 ...21	134-722 ...32	136-462 ...32	170-813 ...34
102-418 ...31	134-723 ...32	136-463 ...32	170-814 ...34
102-419 ...31	134-724 ...32	136-464 ...32	170-815 ...34
102-422 ...11	134-725 ...32	136-678 ...15	170-845 ...7
102-423 ...11	134-771 ...31	136-724 ...32	170-848 ...30
102-424 ...11	134-974 ...32	136-725 ...32	170-849 ...34
102-425 ...11	134-975 ...32	136-726 ...18, 19	170-859 ...17
102-426 ...21	134-976 ...32	136-921 ...31	170-865 ...5, 9
102-427 ...31	134-977 ...32	137-132 ...23	170-893 ...34
102-428 ...31	134-979 ...32	140-896 ...17	170-919 ...7, 21
102-430 ...15	134-980 ...32	140-897 ...17	170-920 ...21
102-437 ...5	134-982 ...32	140-902 ...17	170-921 ...21
102-439 ...5	134-984 ...32	140-933 ...17	170-922 ...21
102-479 ...31	135-536 ...14, 15	140-937 ...17	170-926 ...21
102-480 ...31	135-555 ...11, 13	140-938 ...17	170-927 ...21
102-482 ...11	135-598 ...7	141-608 ...17	170-928 ...21
102-484 ...31	135-675 ...11, 13	170-006 ...21	170-947 ...15
102-499 ...14	135-692 ...7	170-008 ...5	171-008 ...17
102-553 ...31	135-697 ...7	170-013 ...21	171-030
103-052 ...23	135-698 ...11, 13	170-015 ...21	...14, 15, 17, 31
103-702 ...17	135-704 ...5	170-028 ...25, 28, 30	171-083 ...11, 13
103-755 ...17	135-906 ...21	170-056 ...21	171-136 ...17, 18, 19
103-756 ...17	136-118 ...5	170-060 ...5	171-151 ...17
	136-260 ...5	170-069	171-158 ...23

## Part Number Index

171-186 ...17	171-935 ...8	172-845	173-301 ...21
171-189 ...18	171-936 ...23	...25, 27, 28, 30	173-302 ...21
171-257 ...17	171-937 ...15, 17	172-846 ...28, 30	173-303 ...21
171-259 ...17	171-940 ...17	172-847	173-304 ...21
171-260 ...17	171-947 ...34	...25, 27, 28, 30	173-305 ...21
171-265 ...17	171-948 ...34	172-848 ...28	173-306 ...7
171-320 ...27	171-949 ...34	172-851 ...29	173-307 ...7
171-330 ...17	171-960 ...23	172-852 ...28, 29, 30	173-308 ...27
171-380 ...23	171-988 ...7	172-868 ...34	173-309 ...25
171-409 ...5, 7	171-989 ...7	172-883 ...34	173-312 ...26
171-414 ...17	171-992 ...34	172-884 ...7	173-313 ...21
171-426 ...18	171-998 ...18, 19	172-907 ...26, 29	173-314 ...34
171-427 ...17	172-005 ...15	172-915 ...29	173-315 ...27
171-430 ...18, 19	172-024 ...9	172-916 ...29	173-316 ...25
171-496 ...29	172-110 ...35	172-920 ...28	173-317 ...26
171-542 ...25	172-128 ...23	172-921 ...30	173-318 ...25, 27
171-543 ...27	172-130 ...23	172-922 ...29	173-319 ...26
171-544	172-143 ...23	172-924 ...25, 28	173-320 ...25
...25, 26, 27, 28, 29, 30	172-165 ...23	172-925	173-321 ...26
171-550	172-166 ...23	...26, 27, 29, 30	173-322 ...34
...25, 26, 27, 28, 29, 30, 34	172-173 ...35	172-986 ...5, 26, 27, 29	173-323 ...34
171-585 ...5, 7	172-174 ...35	172-987 ...5, 25, 28	173-357 ...34
171-599 ...34	172-175 ...35	172-989 ...25, 28	173-358 ...34
171-609 ...34	172-193 ...7	172-990 ...27, 30	173-448 ...34
171-610 ...21, 33	172-220 ...28, 29, 30	172-991 ...28	174-501 ...23
171-611 ...33	172-292 ...34	172-992 ...30	174-502 ...23
171-612 ...33	172-303 ...28, 29, 30	172-993 ...26, 29	174-503 ...23
171-613 ...33	172-304 ...28, 29, 30	172-994 ...26, 29	174-504 ...23
171-614 ...33	172-350 ...23	173-019 ...21	174-505 ...23
171-615 ...33	172-354 ...23	173-021 ...17	174-506 ...23
171-616 ...21	172-360 ...21	173-027 ...8	174-507 ...23
171-653 ...21	172-361 ...21	173-034 ...23	174-508 ...23
171-666 ...17	172-362 ...21	173-040 ...34	174-556 ...34
171-668 ...17	172-367 ...7	173-041 ...34	174-673 ...35
171-712 ...34	172-368 ...7	173-044 ...34	174-674 ...35
171-723 ...31	172-386 ...23	173-077 ...35	174-675 ...35
171-748 ...34	172-396 ...21	173-078 ...34	174-686 ...34
171-786 ...34	172-441 ...31	173-156 ...23	174-687 ...34
171-799	172-442 ...31	173-164 ...5	174-719 ...23
...25, 26, 27, 28, 29, 30, 34	172-447 ...26	173-211 ...24	174-724 ...35
171-814 ...33	172-449 ...34	173-212 ...24	174-725 ...35
171-820 ...34	172-493 ...7	173-213 ...24	174-775 ...35
171-883 ...17	172-496 ...26	173-214 ...24	174-886 ...17
171-899 ...21	172-500 ...23	173-215 ...24	174-923 ...24
171-900 ...21	172-751 ...7	173-216 ...24	174-927 ...17
171-911 ...34	172-800 ...23	173-217 ...24	174-928 ...17
171-913 ...34	172-801 ...23	173-218 ...24	175-256 ...23
171-914 ...34	172-802 ...23	173-219 ...24	175-536 ...17, 18, 19
171-915 ...34	172-803 ...23	173-220 ...17	180-630 ...9
171-919 ...5	172-804 ...23	173-225 ...23	300-007 ...35
171-920 ...11, 13	172-820 ...34	173-226 ...23	
171-929 ...8	172-822 ...9	173-227 ...23	
171-930 ...7	172-841 ...29	173-228 ...23	
171-932 ...17	172-842 ...28	173-270 ...14, 15	
171-934 ...7	172-843 ...30	173-300 ...21	