



COMMERCIAL REEL MIXERS

3150/3160/3170

Trailer Type Parts Manual

Table of Contents

Abbreviations	2
Using This Service Parts Listing	3
Front End and Drive Shaft Parts	4
Chains and Tighteners (A Model Serial Numbers)	6
Chains and Tighteners (B & C Model Serial Numbers)	7
Rear Drive Parts	8
Drive Shield, Bucket Guard and Grease Line Parts	10
Upper Auger Parts	12
Lower Auger Parts - Roughage Option	13
Lower Auger Parts - Grain Option	14
Reel Parts - Roughage Option (A & B Model Serial Numbers)	15
Reel Parts - Roughage Option (C and After Model Serial Numbers)	16
Reel Parts - Grain Option	17
Undercarriage Parts - Single Axle	18
Undercarriage Parts - Tandem Axle	20
4 Auger Discharge Parts (A Model Serial Numbers)	22
4 Auger Discharge Parts (B & C Model Serial Numbers)	24
HAY MAXX Parts	26
Door Parts	27
Slide Tray Parts (A Model Serial Numbers)	28
Slide Tray Parts (Adjustable) (B & C Model Serial Numbers)	29
Light Kit Parts	30
Repair Liner Parts	31
PTO Driveline-540 RPM-6 Spline-1-3/8" Yoke - Splined Shaft	32
PTO Driveline-3150 & 3160-1000 RPM-21 Spline-1-3/8" Yoke - Splined Shaft	33
PTO Driveline-3150 & 3160-1000 RPM-20 Spline-1-3/4" Yoke - Splined Shaft	34
PTO Driveline-3170 Only-1000 RPM-21 Spline-1-3/8" Yoke - Splined Shaft	35
PTO Driveline-3150 Only-540 RPM-6 Spline-1-3/8" Yoke - Square Shaft	36
PTO Driveline-3150 & 3160-1000 RPM-21 Spline-1-3/8" Yoke - Square Shaft	37
PTO Driveline-3150 & 3160-1000 RPM-20 Spline-1-3/4" Yoke - Square Shaft	38
PTO Driveline-3170 Only-1000 RPM-20 Spline-1-3/4" Yoke - Splined Shaft	39
PTO Driveline-1000 RPM-6 Spline-1-3/8" Yoke	40
Decals	41
Hardware Part Number Listing	42
Part Number Index	44

Catalog Part Number 006061 Unit Serial Number _____

Operator Instruction Manual for this unit: 006047

© Copyright Kuhn Farm Machinery, Inc. Vernon, NY 13476 – USA

Abbreviations

Assy Assembly
 A/R As Required
 B Bolt
 Brg Bearing
 BSN Before Serial Number
 Btm Bottom
 C-Bolt Carriage Bolt
 Ctr Cotter
 CV Constant Velocity
 Deg Degree
 Dia Diameter
 ea Each
 eq or Equiv Equivalent
 Fln Flanged Lock Nut
 Fw Flat Washer
 Ga Gauge
 Gr or Grd Grade
 Hd Head
 Hfw Heavy Flat Washer
 Hyd Hydraulic
 ID Inside Diameter
 Ill or Illus Illustration
 Ind Indicator
 Jn Jam Nut
 Kw Keyway
 LH Left Hand
 Ln Lock Nut
 Lw Lock Washer
 Mtg Hrd Mounting Hardware
 NC National Coarse
 NF National Fine
 NLA No Longer Available
 NPT National Pipe Thread
 OD Outside Diameter
 Pc(s) Piece(s)
 PD Pitch Diameter
 PTO Power Takeoff (shaft)
 Qty Quantity
 RH Right Hand
 SN Serial Number
 SHCS Socket Head Cap Screw
 Spk, or Spkt or Sprkt Sprocket
 Sq Square
 SS Stainless Steel
 SSB Stainless Steel Bolt
 St Straight
 Std Standard
 STS Self Tapping Screw
 UASN Used After Serial Number
 UBSN Used Before Serial Number
 W With
 W/O With Out

Using This Service Parts Listing

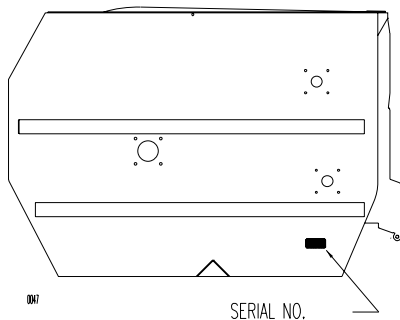
This listing uses a number indentation system to specify the parts of an assembly. Any number which is indented to the right, indicates that it is a component of the item to the upper left. Example:

<u>Part no</u>	<u>Qty</u>	<u>Description</u>
102-AAA	#	Assembly A
102-BBB	#	Sub-Assembly B
(Component of A)		
140-xxx	#	Sub-Component of B
140-xxx	#	Sub-Component of B
102-CCC	#	Sub-Assembly C
(Component of A)		
etc.		

Using this system, the subassemblies and their components are included if an **Assembly** is ordered. Similarly, the components of a subassemblies are included if a subassembly is ordered.

The quantity (Qty) associated with an assembly, represents the number of times an assembly could be shown in the drawing. The subassembly quantity however, is the number of times a subassembly is used to build one assembly. Similarly, the component quantity refers to the number of times a given component is found in one subassembly.

MODEL AND SERIAL NUMBER INFORMATION is located near the front left hand corner (Fig. A). The model number, serial number and part number should be known when asking service personnel for parts.



Serial Number Location
3150, 3160 and 3170
Fig. A

The serial number may consist of a number, or a number with a letter prefix. When referring to serial number breaks in the text of this manual, a serial number with a prefix will have been manufactured after a serial number without a prefix (A001 made after 0123). Likewise, a higher prefix letter would indicate manufacture after a lower prefix letter (B001 made after A123). Therefore, if the text refers to units manufactured after serial number B123, this would include “B” series numbers greater than 123, and all numbers with a higher letter prefix.

If you cannot find the part you need, be as descriptive as possible when placing an order:

Sprockets: give the bore size, number of teeth, and size of keyway.

Roller chain: give the size of chain (stamped on the side of each link) and number of links.

Shafting: give the diameter, length, and quantity and size of keyways.

Hardware is generally not included with parts. If you need any hardware, check the size, the length, and the grade (Fig. B), then check the hardware list in this manual for the part numbers.

All hex head bolts are grade 5, and nuts are grade B unless otherwise stated.

The hardware listing also includes listings for zerks, cotter pins, set screws, and roller chain links.

The illustrations in this manual are meant to be used only as a guide for identifying parts and locating their relative positions.

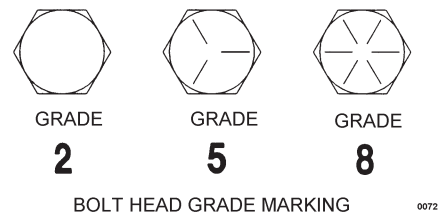
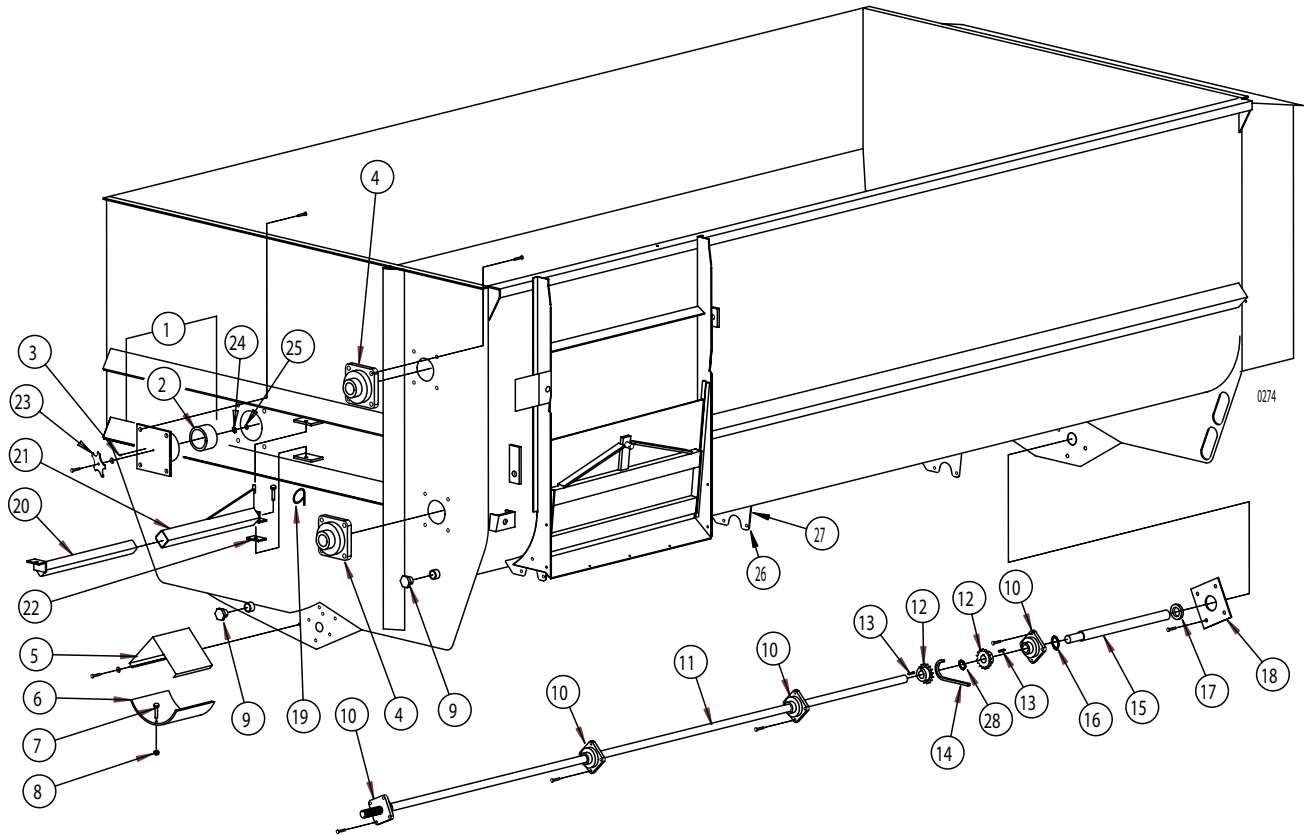


Fig. B

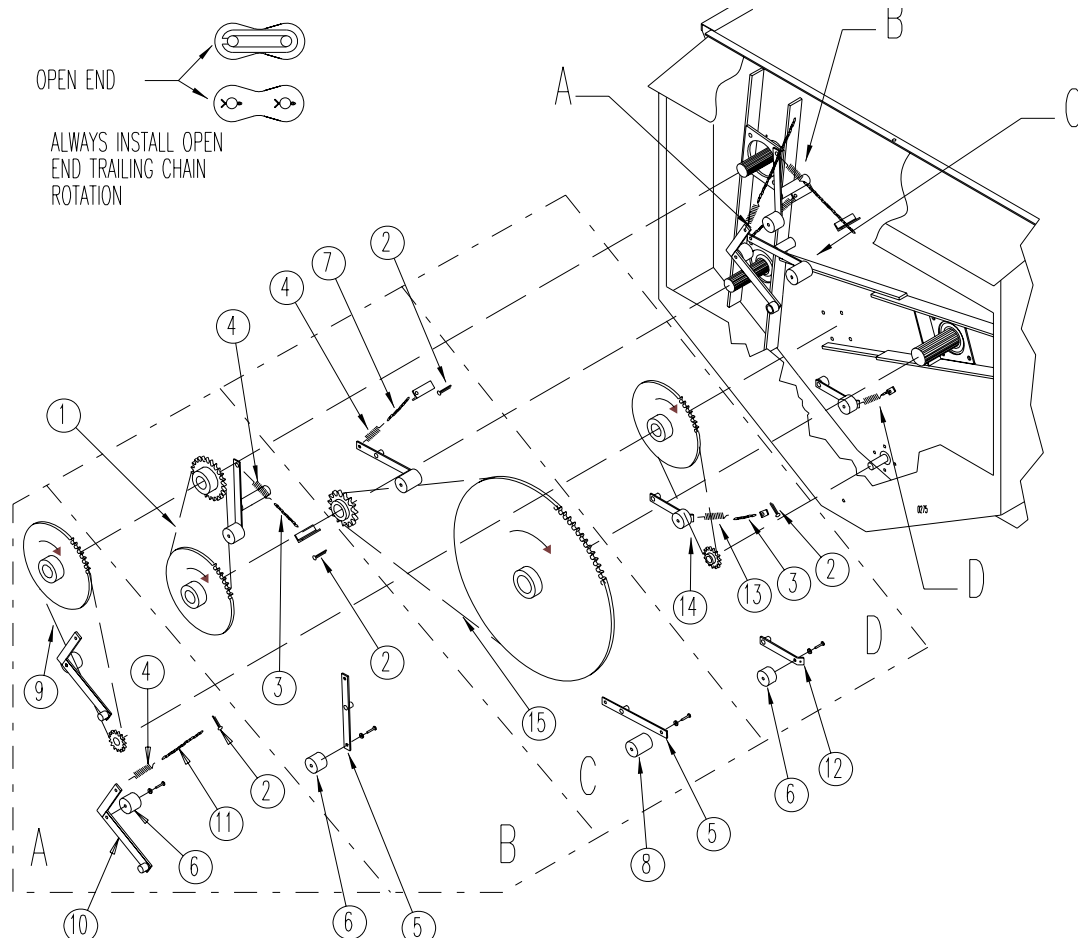
3150/3160/3170 T 006061 R110210
Front End and Drive Shaft Parts



Front End and Drive Shaft Parts

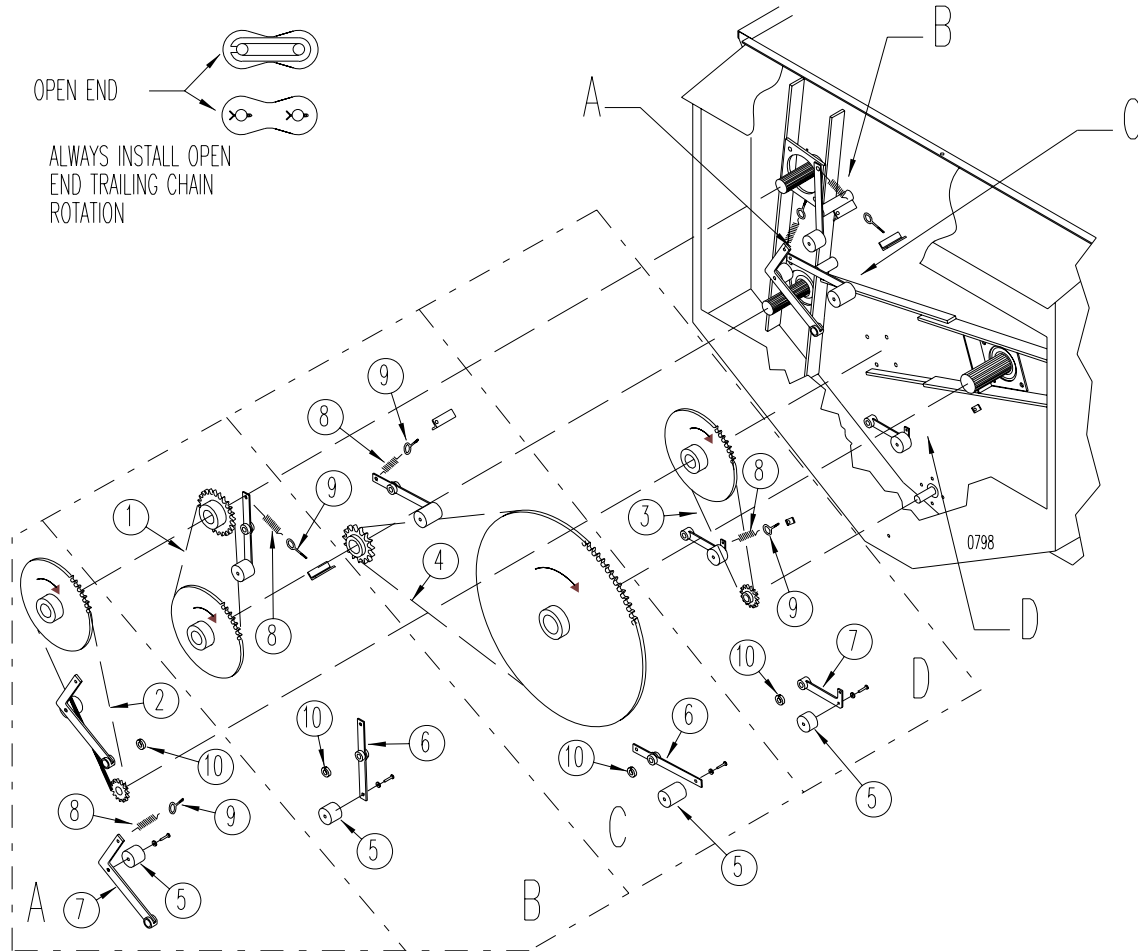
REF	PART NO	QTY	DESCRIPTION
1	70103752	1	Reel Bearing Assy 3 1/2"; Mtg Hrd: 3/4" 2" Bolt, Lw, Nut (4 ea)
2	70135949	1	Bearing Sleeve
3	70170865	1	Zerk; 1/8" NPT 90°
4	70170053	2	Bearing; 2 1/2" Roller; Mtg Hrd: 5/8" x 2" Bolt, Fw, Lw, Nut (4 ea)
5	70136076	1	Shield; PTO Cover; Mtg Hrd: 3/8" X 1" Bolt, Fw, Lw, N (3 ea) (inc. decals: 170-490 & 173-041)
6	70133920	1	PTO Driveline Shield (1/8" x 9" x 16") Mtg Hrd: 5/16" x 3/4" Bolt & FLN (4 ea)
7	70172986	3	Shear Bolt; 1/4" x 2" Grade 5 (3150/3160 with 1000 RPM only)
	70172987	3	Shear Bolt; 5/16" x 2" Grade 5 (3150 with 540 RPM and 3170 only)
8	70170069	3	Lock Nut; 1/4" (grade 5) (3150/3160 with 1000 RPM only)
	70170028	3	Flange Lock Nut; 5/16" (grade 5) (3150 with 540 RPM and 3170 only)
9	70174795	2	Pipe Plug; 2" PVC
10	70172288	4	Bearing; 1 1/2" Eccentric Lock (5 req'd for 3170)
11	70140012	1	Input Shaft; 1 1/2" x 120 13/16" (3150 only)
	70140011	1	Input Shaft; 1 1/2" x 150 13/16" (3160 only)
	70140535	1	Input Shaft; 1 1/2" x 180 13/16" (3170 only)
12	70134602	2	Sprocket, 60B-18, 1 1/2" Bore
13	70173065	2	Key; SQ 3/8" x 1 1/2"
14	70173284	1	Chain, Roller 60-2-18 Pitch W/Connector link
15	70140009	1	Input Shaft; 2" x 55 1/4"
16	70171387	1	External Snap Ring
17	70172998	1	Lip Seal; 2" I.D. C/R19760
18	70135936	1	Seal Retain Plate
19	70134900	1	Hose Hanger (weld on)
20	70102439	1	Swing Arm Assembly, Inner
21	70102437	1	Swing Arm Assembly, Outer; Mtg Hrd: 1/2" x 1 1/2" Bolt, Ln (includes "T" Bolt)
22	70136454	1	Belt, Rubber 1/4" x 3 1/2" x 2"
23	70140831	1	Reel Position Indicator (GRAIN PACKAGE ONLY) Mtg. Hrd: 3/8"x 2 1/2" Bolt, Nut (1 ea.)
	70144860	1	Reel Position Indicator (ROUGHAGE PACKAGE ONLY) Mtg. Hrd: 3/8"x 2 1/2" Bolt, Nut (1 ea.)
24	70140847	2	Reel Indicator Seal
25	70170302	1	3/8" Heavy Flat Washer
26	70135883	1	Bearing Bracket
27	70133983	1	Gusset

Chains and Tighteners (A Model Serial Numbers)



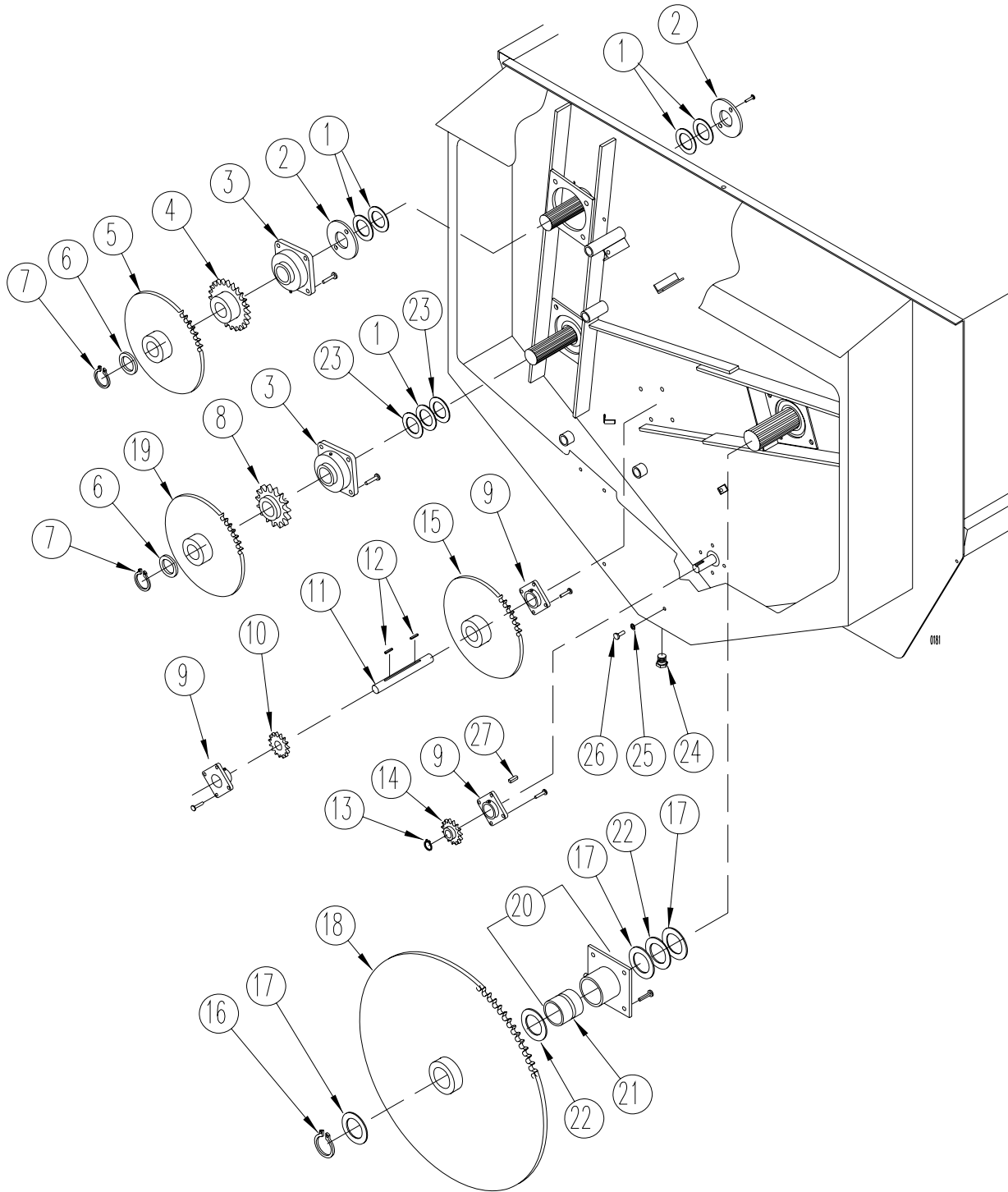
REF	PART NO	QTY	DESCRIPTION
1	70173014	1	Roller Chain; 120-1-71Pitch, w/ Connector Link and Half Link
2	70170800	4	Clinch Pin, 3/16" x 1 1/2"
3	70170845	2	Machine Chain; #4 x 17 links
4	70172751	3	Spring, Extension 8 1/4" LG x 1 1/2" OD
5	70102331	2	Chain Tightener Arm
6	70134155	3	Tightener Block 3" OD x 2 1/2"; Mtg Hrd: 1/2" x 3" Bolt, Fw, Lw, Nut
7	70171045	1	Machine Chain; #4 x 22 links
8	70134086	1	Tightener Block 3" OD x 3"; Mtg Hrd: 1/2" x 4" Bolt, Fw, Lw, Nut
9	70173013	1	Roller Chain; 100-1-91 Pitch, w/ Connector Link and Half Link
10	70103717	1	Chain Tightener Arm
11	70170518	1	Machine Chain; #4 x 30 links
12	70101819	1	Chain Tightener Arm
13	70172005	1	Spring, Extension 6" LG x 7/8" OD
14	70173012	1	Roller Chain; 80-1-96 Pitch, w/ Connector Link (1000 RPM)
	70172864	1	Roller Chain; 80-1-82 Pitch, w/ Connector Link (540 RPM)
15	70173015	1	Roller Chain; 140-1-108 Pitch, w/ Connector Link

Chains and Tighteners (B & C Model Serial Numbers)



REF	PART NO	QTY	DESCRIPTION
1	70173014	1	Roller Chain; 120-1-71Pitch, w/ Connector Link and Half Link (3150, 3160, 3170 Grain, 3170 Roughage - Series B)
	70176400	1	Roller Chain; 120-1-70 Pitch, w/ Connector Link (3170 Roughage - Series C and after)
2	70173013	1	Roller Chain; 100-1-91 Pitch, w/ Connector Link and Half Link
3	70173012	1	Roller Chain; 80-1-96 Pitch, w/ Connector Link (1000 RPM)
	70172864	1	Roller Chain; 80-1-82 Pitch, w/ Connector Link (540 RPM)
4	70173015	1	Roller Chain; 140-1-108 Pitch, w/ Connector Link
5	70134155	4	Tightener Block 3" OD x 2 1/2"; Mtg Hrd: 1/2" x 3" Bolt, Fw, Lw, Nut
6	70104284	2	Chain Tightener
7	70104290	2	Chain Tightener
8	70172751	4	Spring, Extension 8 1/4" LG x 1 1/2" OD
9	70173857	4	Eye Bolt; 3/8" x 6"
10	70174309	4	Lock Collar, 1" I.D. x 5/8" Thick

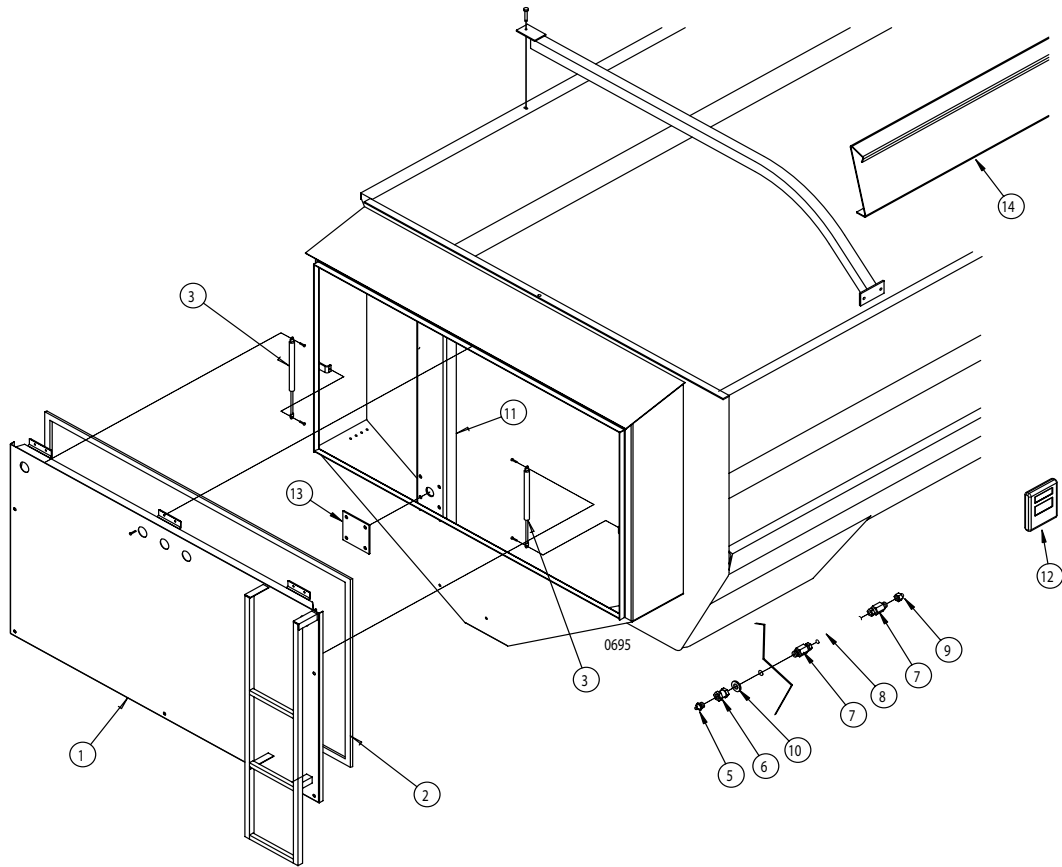
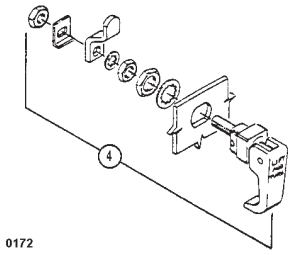
Rear Drive Parts



Rear Drive Parts

REF	PART NO	QTY	DESCRIPTION
1	70135697	5	Seal Washer, Plastic; 4" ID x 5-1/4" OD
2	70135985	2	Seal Housing; 7" Dia, Mtg Hrd: 5/16" x 1-1/2" Bolt, Lw, Nut (2 ea)
3	70170445	2	Bearing; 3 1/2"; Mtg Hrd: 3/4" x 3" Bolt, Lw, Nut (4 ea) (FB22456E)
4	70136003	1	Sprocket; 120-B-24, 3 1/2" splined bore (3150, 3160, 3170 Grain, 3170 Roughage - Series B)
	70144851	1	Sprocket; 120-B-21, 3 1/2" splined bore (3170 Roughage - Series C and after)
5	70136002	1	Sprocket; 100-B-52, 3 1/2" splined bore
6	70136067	1	Thrust Shim; 4 3/4" Dia x 10 Ga. (as req'd)
	70136068	3	Thrust Shim; 4 1/4" Dia x 16 Ga. (as req'd)
7	70171607	2	Snap Ring, External; 3 1/2"
8	70136005	1	Sprocket; 140-B-12, 3 1/2" splined bore
9	70170008	3	Bearing; 2"; Mtg Hrd: Outer counter shaft 5/8" x 2" B, Lw, N (4 ea) Inner counter shaft 5/8" x 2" B, Lw, N (4ea) Input bearing 5/8" x 2 1/4" B, Lw, N (4ea)
10	70136001	1	Sprocket; 100-B-15, 2" bore
11	70140942	1	Counter Shaft; 2" Dia. x 13 1/8"
12	70171695	2	Key, SQ 1/2" x 4 7/16"
13	70170142	1	Snap Ring, External; 2"
14	70136000	1	Sprocket; 80-B-18, 2" bore (1000 RPM)
	70135996	1	Sprocket; 80-B-20, 2" bore (540 RPM)
15	70134471	1	Sprocket; 80-B-63, 2" bore (1000 RPM)
	70135997	1	Sprocket; 80-B-38, 2" bore (540 RPM)
16	70172289	1	Snap Ring, External; 5"
17	70135994	3	Thrust Shim; 6 1/4" Dia x 10 Ga.
18	70134447	1	Sprocket; 140-B-82; 5" splined bore
19	70136004	1	Sprocket; 120-B-45; 3 1/2" splined bore
20	70102323	1	Bearing Assembly; Mtg Hrd: 3/4" x 2-1/4" Bolt, Lw, Nut (4 ea)
21	70135946	1	Bearing Sleeve; 6" OD x 5" ID x 3.69" Long
22	70135992	2	Seal, Plastic, 5" ID x 6 1/4" OD x 1/8" THK
23	70135993	2	Seal, Plastic, 4" ID x 5 1/4" OD x 1/4" THK
24	70171919	1	Drain Plug, 1-1/4" PVC
25	70172884	1	Washer, 1/2" Nylon
26	70170149	1	Oil Plug; 1/2" x 1" bolt
27	70171643	1	Key, SQ 1/2" x 1 1/4"

Drive Shield, Bucket Guard and Grease Line Parts



Drive Shield, Bucket Guard and Grease Line Parts

REF	PART NO	QTY	DESCRIPTION
1	70103719	1	Safety Shield; Rear Drive; Mtg Hrd: 5/16" x 1" Bolt Fw, Lw, Nut (6 ea)
2	70171935**	28'	Shield Gasket; 3/8" x 3/4" Closed Cell Foam
3	70173533	2	Gas Lift Support; Mtg Hrd: 3/8" x 1 1/2" Bolt Lw (2 ea) 3/8" Nut (4 ea)
4	70173027	5	Lift and Turn Latch
5	70170865 ^{AB}	1*	Grease Zerk 1/8" NPT
6	70172024 ^{AB}	1*	Coupling
7	70172822 ^{AB}	2*	Compression Fitting
8	70181036 ^{**B}	*	Copper Grease Line Tubing
		36"	Required for upper auger bearing
		16"	Required for lower auger bearing
		48"	Required for rear reel bearing
		50"	Required for input shaft bearing
		30"	Required for inner countershaft bearing
		42"	Required for outer countershaft bearing
	70180630 ^{**A}	*	Nylon Grease Line Tubing
		36"	Required for upper auger bearing
		16"	Required for lower auger bearing
		48"	Required for rear reel bearing
		50"	Required for input shaft bearing
		30"	Required for inner countershaft bearing
		42"	Required for outer countershaft bearing
9	70172823 ^{***}	1*	Adapter Fitting; 1/4" SAE x 1/8" NPTF
10	70170244 ^{AB}	1*	Flat Washer 3/8"
11	70104283	1	Rear Bearing Mount
	70103718 ^A	1	Rear Bearing Mount; Mtg Hrd: Top: 1/2" x 1" Bolt, Lw, Nut (2 ea) Bottom: 1/4" x 1-1/4" Bolt, Fw, Lw, Nut (4 ea)
12	70175387	1	Operator's Manual Storage Container (Mounts to right front pedestal)
13	70142959	1	Cover Plate
14	70140822 ^A	1	RH Side Extension, Mtg Hrd: 3/8" x 1-1/4" Bolt, 8Ga Fw, Lw, Nut (4ea) (3150 Grain Option Only)
	70140758 ^A	1	RH Side Extension, Mtg Hrd: 3/8" x 1-1/4" Bolt, 8Ga Fw, Lw, Nut (4ea) (3160 Grain Option Only)
	70140816 ^A	1	RH Side Extension, Mtg Hrd: 3/8" x 1-1/4" Bolt, 8Ga Fw, Lw, Nut (4ea) (3170 Grain Option Only)

* Quantity required to complete 1 grease line assy

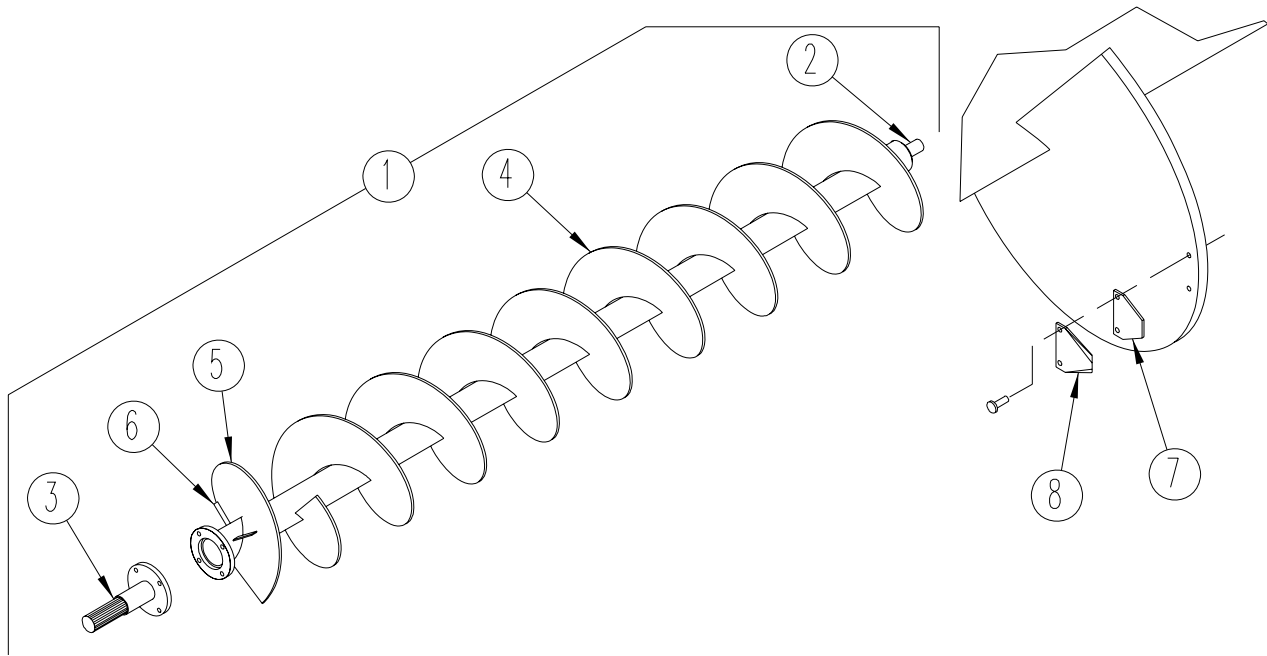
** Sold by the linear foot.

*** Not required on all installations.

^A Parts used with "A" model serial numbers.

^B Parts used with "B" model serial numbers.

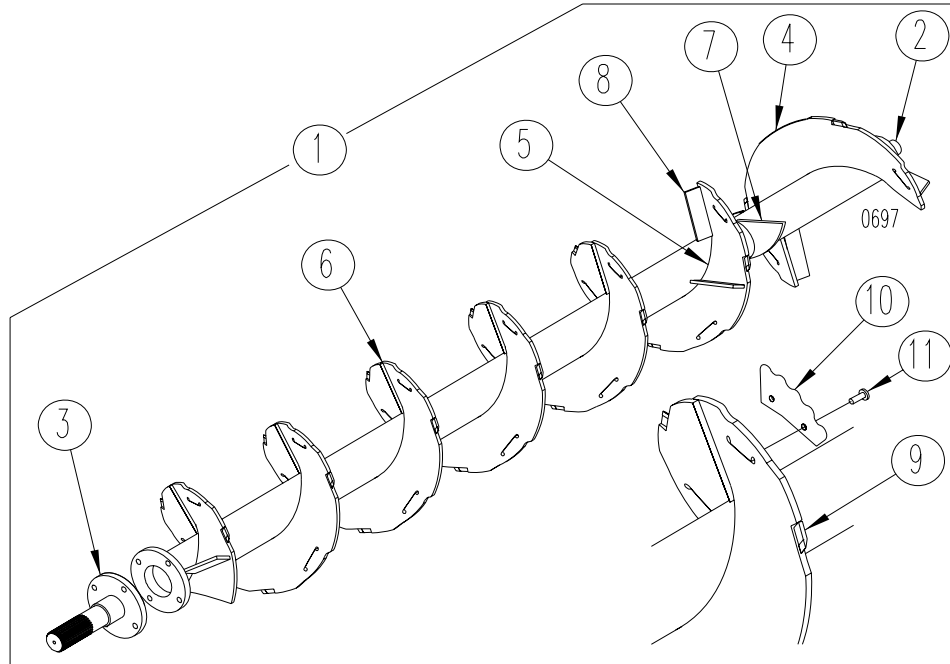
Upper Auger Parts



REF	PART NO	QTY	DESCRIPTION
1	70103741	1	Upper Auger Assembly (3150)
	70103725	1	Upper Auger Assembly (3160)
	70103743	1	Upper Auger Assembly (3170)
2	70102312	1	Front Plug Assembly, 2 1/2" (weld on) (3150/3160)
	70103542	1	Front Plug Assembly, 2 1/2" (weld on) (3170)
3	70102315	1	Rear Plug Assembly; Mtg Hrd: 7/8" x 3 1/2" bolt, LW, Nut (4 ea) (3150/3160)
	70104501	1	Rear Plug Assembly; Mtg Hrd: 1" x 3 1/2" bolt, LW, Nut (4 ea) (3170)
4	70140804	6	Flighting, RH; 22"P x 22" OD x 6 5/8" ID x 1/2" THK x 22" LG (3150)
	70140804	7	Flighting, RH; 22"P x 22" OD x 6 5/8" ID x 1/2" THK x 22" LG (3160)
	70140857	10	Flighting, RH; 20"P x 24" OD x 8.65" ID x 1/2" THK x 20" LG (3170)
5	70140805	1	Flighting, LH; 22"P x 22" OD x 6 5/8" ID x 1/2" THK x 11" LG (3150/3160)
	70140858	1	Flighting, LH; 24"P x 24" OD x 8.65" ID x 1/2" THK x 12" LG (3170)
6	70135971	4	Flighting Brace, 1/2" x 2" x 7"
7	70136921*	50	Backer Plate (3150)
	70136921*	60	Backer Plate (3160)
	70136921*	88	Backer Plate (3170)
8	70174558*	50	Knife, Sickle Section; Mtg Hrd: 5/16" x 1 1/4" Bolt, Lw & Nut (2 ea) (3150)
	70174558*	60	Knife, Sickle Section; Mtg Hrd: 5/16" x 1 1/4" Bolt, Lw & Nut (2 ea) (3160)
	70174558*	88	Knife, Sickle Section; Mtg Hrd: 5/16" x 1 1/4" Bolt, Lw & Nut (2 ea) (3170)

*: Used on Roughage and Hay Maxx Options only. Quantities may vary slightly.

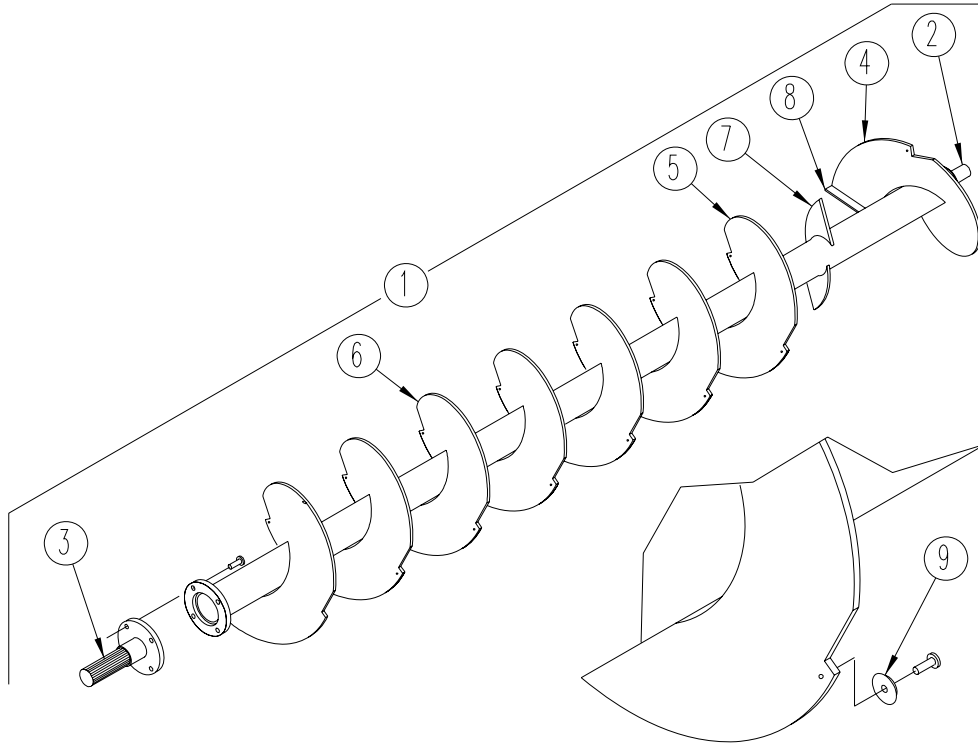
Lower Auger Parts - Roughage Option



REF	PART NO	QTY	DESCRIPTION
1	70104086	1	Lower Auger Assembly (3150)
	70104087	1	Lower Auger Assembly (3160)
	70104088	1	Lower Auger Assembly (3170)
2	70102312	1	Front Plug Assembly, 2 1/2" (weld on) (3150/3160)
	70103542	1	Front Plug Assembly, 2 1/2" (weld on) (3170)
3	70102313	1	Rear Plug Assembly, 3 1/2"; Mtg Hrd: 1" x 3 1/2" bolt, LW, Nut (4 ea) (3150/3160)
	70104502	1	Rear Plug Assembly, 4"; Mtg Hrd: 1" x 3 1/2" bolt, LW, Nut (4 ea) (3170)
4	70142190	1	Flighting, RH; 24"P x 24"OD x 6 5/8" ID x 3/4" THK (3150/3160)
	70142193	1	Flighting, RH; 24"P x 24"OD x 8 5/8" ID x 3/4" THK (3170)
5	70142189	1	Flighting, LH; 24"P x 24" OD x 6 5/8" ID x 3/4" THK (3150/3160)
	70142192	1	Flighting, LH; 24"P x 24" OD x 8 5/8" ID x 3/4" THK (3170)
6	70142188	5	Flighting, LH; 24"P x 24"OD x 6 5/8" ID x 5/8" THK (Actual qty: 4-1/4) (3150)
	70142188	6	Flighting, LH; 24"P x 24"OD x 6 5/8" ID x 5/8" THK (Actual qty: 5-1/2) (3160)
	70142191	7	Flighting, LH; 24"P x 24"OD x 8 5/8" ID x 5/8" THK (3170)
7	70135976	2	Auger Paddle (3150/3160)
	70140522	2	Auger Paddle (3170)
8	70135972	8	Flighting Brace, 1/2" x 2 1/2" x 8" (3150/3160)
	70140538	8	Flighting Brace, 1/2" x 2 1/2" x 7" (3170)
9	70175781	18	LH Lower Auger Knife (weld-on) (qty may vary) (3150)
	70175781	22	LH Lower Auger Knife (weld-on) (qty may vary) (3160)
	70175781	27	LH Lower Auger Knife (weld-on) (qty may vary) (3170)
10	70174064*	3	Scallop Knife, RH; (Used on Item 4) (qty may vary)
	70174065*	16	Scallop Knife, LH; (Used on Items 5 & 6) (qty may vary) (3150)
	70174065*	20	Scallop Knife, LH; (Used on Items 5 & 6) (qty may vary) (3160)
	70174065*	24	Scallop Knife, LH; (Used on Items 5 & 6) (qty may vary) (3170)
11	70174093*	38	Screw, sochd, 1/2" x 1-1/2"; Mtg Hrd: 1/2" lock Jam nut (qty may vary) (3150)
	70174093*	46	Screw, sochd, 1/2" x 1-1/2"; Mtg Hrd: 1/2" lock Jam nut (qty may vary) (3160)
	70174093*	54	Screw, sochd, 1/2" x 1-1/2"; Mtg Hrd: 1/2" lock Jam nut (qty may vary) (3170)

*: Used with Roughage Maxx option only.

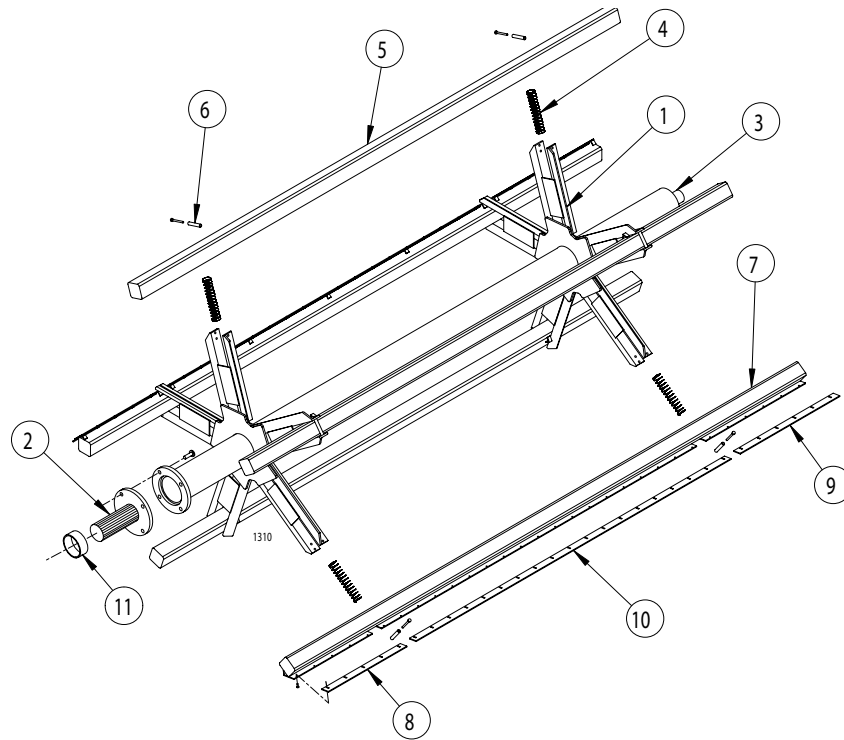
Lower Auger Parts - Grain Option



REF	PART NO	QTY	DESCRIPTION
1	70103740	1	Lower Auger Assembly (3150)
	70103720	1	Lower Auger Assembly (3160)
	70103742	1	Lower Auger Assembly (3170)
2	70102312	1	Front Plug Assembly, 2 1/2" (weld on) (3150/3160)
	70103542	1	Front Plug Assembly, 2 1/2" (weld on) (3170)
3	70102313	1	Rear Plug Assembly, 3 1/2"; Mtg Hrd: 1" x 3 1/2" bolt, LW, Nut (4 ea) (3150/3160)
	70104502	1	Rear Plug Assembly, 4"; Mtg Hrd: 1" x 3 1/2" bolt, LW, Nut (4 ea) (3170)
4	70140782	1	Flighting, RH; 24"P x 24"OD x 6 5/8" ID x 3/4" THK (3150/3160)
	70140853	1	Flighting, RH; 24"P x 24"OD x 8 5/8" ID x 3/4" THK (3170)
5	70140779	1	Flighting, LH; 24"P x 24" OD x 6 5/8" ID x 3/4" THK (3150/3160)
	70140854	1	Flighting, LH; 24"P x 24" OD x 8 5/8" ID x 3/4" THK (3170)
6	70140777	4	Flighting, LH; 24"P x 24"OD x 6 5/8" ID x 5/8" THK (3150)
	70140777	5	Flighting, LH; 24"P x 24"OD x 6 5/8" ID x 5/8" THK (3160)
	70140855	7	Flighting, LH; 24"P x 24"OD x 8 5/8" ID x 5/8" THK (3170)
7	70135976	2	Auger Paddle, 5/8" x 6-3/4" x 11-1/2" (3150/3160)
	70140522	2	Auger Paddle, 5/8" x 4-1/16" x 11-1/16" (3170)
8	70135972	8	Flighting Brace, 1/2" x 2 1/2" x 8" (3150/3160)
	70140538	8	Flighting Brace, 1/2" x 2 1/2" x 7" (3170)
9	70134352*	20	Lower Auger Knife; Mtg Hrd: 3/8" x 1-1/4" Bolt, Lw, nut (1ea) (Qty May Vary) (3150)
	70134352*	25	Lower Auger Knife; Mtg Hrd: 3/8" x 1-1/4" Bolt, Lw, nut (1ea) (Qty May Vary) (3160)
	70134352*	29	Lower Auger Knife; Mtg Hrd: 3/8" x 1-1/4" Bolt, Lw, nut (1ea) (Qty May Vary) (3170)

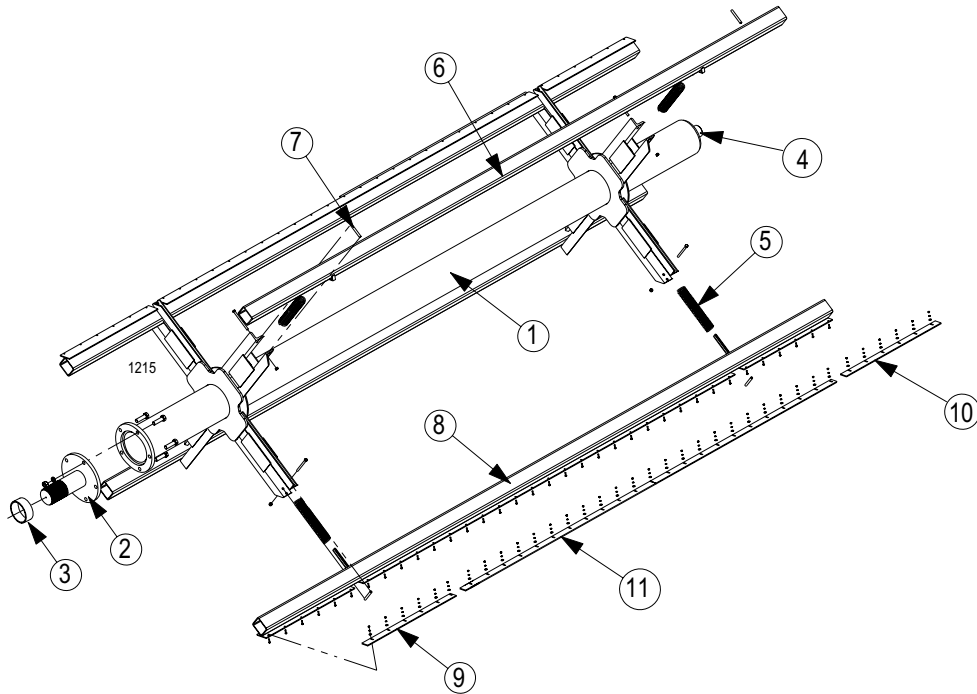
* Used with Hay Maxx option only.

Reel Parts - Roughage Option (A & B Model Serial Numbers)



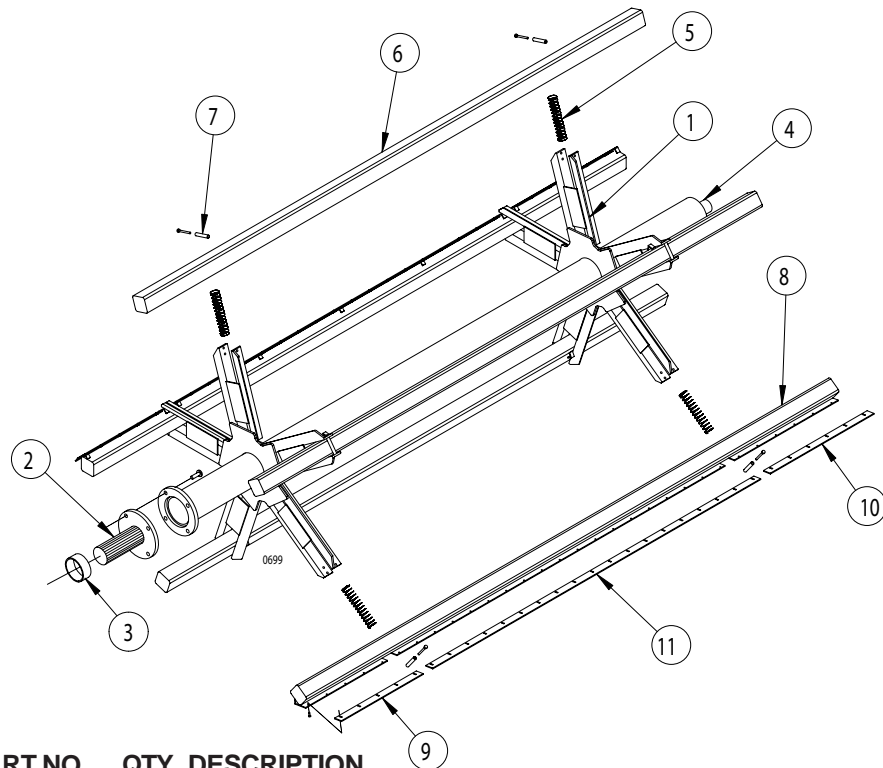
REF	PART NO	QTY	DESCRIPTION
1	70105620	1	Reel Weldment (3150)
	70105620	1	Reel Weldment (3160)
	70105622	1	Reel Weldment (3170)
2	70102317	1	Rear Plug Assembly; 5" splined; Mtg Hrd: 1" x 3 1/2" bolt, LW, Nut (4 ea) (3150/3160)
	70103538	1	Rear Plug Assembly; 5" splined; Mtg Hrd: 1" x 3 1/2" bolt, LW, Nut (5 ea) (3170)
3	70135982	1	Thrust Ring (Welded)
4	70102318	1	Front Plug Assembly 3 1/2" (weld on) (3150/3160)
	70103537	1	Front Plug Assembly 3 1/2" (weld on) (3170)
5	70171920	10	Spring; Reel Cross Pipe Compression, 16" LG x 2 3/8" OD (3150/3160)
	70174672	10	Spring; Reel Cross Pipe Compression, 16" LG x 2 5/8" OD (3170)
6	70102340	3	Cross Tube 151 1/2" Long; Mtg Hrd: 1/2" x 6 1/2" bolt, LN (2 ea) (3150)
	70102319	3	Cross Tube 181 1/2" Long; Mtg Hrd: 1/2" x 6 1/2" bolt, LN (2 ea) (3160)
	70103535	3	Cross Tube 211 1/2" Long; Mtg Hrd: 1/2" x 6 1/2" bolt, LN (2 ea) (3170)
7	70135968	10	Retaining Sleeve
8	70102339	2	Cross Tube Wiper Assembly 164" Long; Mtg Hrd: 1/2" x 6 1/2" bolt, Lw, Nut (3150)
	70102321	2	Cross Tube Wiper Assembly 194" Long; Mtg Hrd: 1/2" x 6 1/2" bolt, Lw, Nut (3160)
	70103536	2	Cross Tube Wiper Assembly 224" Long; Mtg Hrd: 1/2" x 6 1/2" bolt, Lw, Nut (3170)
9	70135959	2	Plastic Wiper Blade 2 1/2" x 29 3/4"; Mtg Hrd: 1/4"x 1" Bolt, HD Fw, Lw, Nut (5ea) (3150/3160)
	70140534	2	Plastic Wiper Blade 2 1/2" x 35"; Mtg Hrd: 1/4"x 1" bolt, HD Fw, Lw, Nut (6ea) (3170)
10	70135958	2	Plastic Wiper Blade 2 1/2" x 37 3/4"; Mtg Hrd: 1/4" x 1" Bolt, HD Fw, Lw, Nut (6 ea) (3150/3160)
	70140534	2	Plastic Wiper Blade 2 1/2" x 35"; Mtg Hrd: 1/4"x 1" Bolt, HD Fw, Lw, Nut (6ea) (3170)
11	70136065	2	Plastic Wiper Blade 2 1/2" x 89 1/2"; Mtg Hrd: 1/4" x 1" Bolt, HD Fw, Lw, Nut (14 ea) (3150)
	70135960	2	Plastic Wiper Blade 2 1/2" x 119 1/2"; Mtg Hrd: 1/4" x 1" Bolt, HD Fw, Lw, Nut (19 ea) (3160)
	70140533	2	Plastic Wiper Blade 2 1/2" x 73-1/2"; Mtg Hrd: 1/4"x 1" Bolt, HD Fw, Lw, Nut (12ea) (3170)

Reel Parts - Roughage Option (C and After Model Serial Numbers)



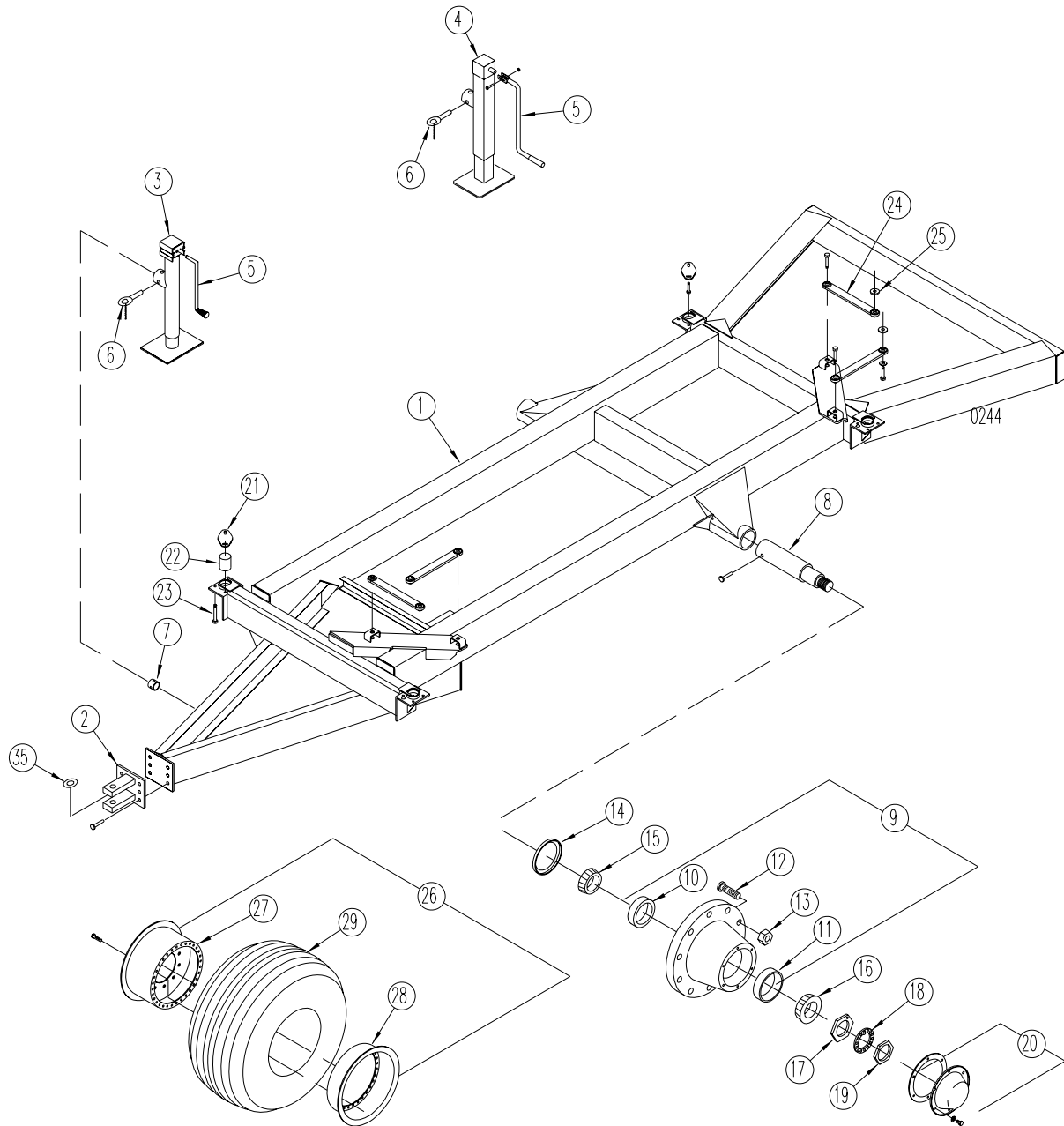
REF	PART NO	QTY	DESCRIPTION
1	70104785	1	Reel Weldment (3150)
	70104784	1	Reel Weldment (3160)
	70103534	1	Reel Weldment (3170)
2	70102317	1	Rear Plug Assembly; 5" splined; Mtg Hrd: 1" x 3 1/2" bolt, LW, Nut (4 ea) (3150/3160)
	70103538	1	Rear Plug Assembly; 5" splined; Mtg Hrd: 1" x 3 1/2" bolt, LW, Nut (4 ea) (3170)
3	70135982	1	Thrust Ring
4	70102318	1	Front Plug Assembly 3 1/2" (weld on) (3150/3160)
	70103537	1	Front Plug Assembly 3 1/2" (weld on) (3170)
5	70171920	8	Spring; Reel Cross Pipe Compression, 16" LG x 2 3/8" OD (3150/3160)
	70174672	8	Spring; Reel Cross Pipe Compression, 16" LG x 2 5/8" OD (3170)
6	70102340	2	Cross Tube 151 1/2" Long; Mtg Hrd: 1/2" x 6 1/2" bolt, Ln (2 ea) (3150)
	70102319	2	Cross Tube 181 1/2" Long; Mtg Hrd: 1/2" x 6 1/2" bolt, Ln (2 ea) (3160)
	70103535	2	Cross Tube 211 1/2" Long; Mtg Hrd: 1/2" x 6 1/2" bolt, Ln (2 ea) (3170)
7	70135968	8	Retaining Sleeve
8	70102339	2	Cross Tube Wiper Assembly 164" Long; Mtg Hrd: 1/2" x 6 1/2" bolt, Ln (3150)
	70102321	2	Cross Tube Wiper Assembly 194" Long; Mtg Hrd: 1/2" x 6 1/2" bolt, Ln (3160)
	70103536	2	Cross Tube Wiper Assembly 224" Long; Mtg Hrd: 1/2" x 6 1/2" bolt, Ln (3170)
9	70135959	2	Plastic Wiper Blade 2 1/2" x 29 3/4"; Mtg Hrd: 1/4"x 1" Bolt, HD Fw, Lw, Nut (5ea) (3150/3160)
	70140534	2	Plastic Wiper Blade 2 1/2" x 35"; Mtg Hrd: 1/4"x 1" Bolt, HD Fw, Lw, Nut (6ea) (3170)
10	70135958	2	Plastic Wiper Blade 2 1/2" x 37 3/4"; Mtg Hrd: 1/4" x 1" Bolt, HD Fw, Lw, Nut (6 ea) (3150/3160)
	70140534	2	Plastic Wiper Blade 2 1/2" x 35"; Mtg Hrd: 1/4"x 1" Bolt, HD Fw, Lw, Nut (6ea) (3170)
11	70136065	2	Plastic Wiper Blade 2 1/2" x 89 1/2"; Mtg Hrd: 1/4" x 1" Bolt, HD Fw, Lw, Nut (14 ea) (3150)
	70135960	2	Plastic Wiper Blade 2 1/2" x 119 1/2"; Mtg Hrd: 1/4" x 1" Bolt, HD Fw, Lw, Nut (19 ea) (3160)
	70140533	2	Plastic Wiper Blade 2 1/2" x 73-1/2"; Mtg Hrd: 1/4"x 1" Bolt, HD Fw, Lw, Nut (12ea) (3170)

Reel Parts - Grain Option



REF	PART NO	QTY	DESCRIPTION
1	70105620	1	Reel Weldment (3150)
	70105620	1	Reel Weldment (3160)
	70105622	1	Reel Weldment (3170)
2	70102317	1	Rear Plug Assembly; 5" splined; Mtg Hrd: 1" x 3 1/2" bolt, LW, Nut (4 ea) (3150/3160)
	70103538	1	Rear Plug Assembly; 5" splined; Mtg Hrd: 1" x 3 1/2" bolt, LW, Nut (5 ea) (3170)
3	70135982	1	Thrust Ring
4	70102318	1	Front Plug Assembly 3 1/2" (weld on) (3150/3160)
	70103537	1	Front Plug Assembly 3 1/2" (weld on) (3170)
5	70171920	10	Spring; Reel Cross Pipe Compression, 16" LG x 2 3/8" OD (3150/3160)
	70174672	10	Spring; Reel Cross Pipe Compression, 16" LG x 2 5/8" OD (3170)
6	70103744	2	Cross Tube, 164" Long; Mtg Hrd: 1/2" x 6 1/2" Bolt, LN(2 ea) (3150)
	70103724	2	Cross Tube, 194" Long; Mtg Hrd: 1/2" x 6 1/2" Bolt, LN(2 ea) (3160)
	70103745	2	Cross Tube, 224" Long; Mtg Hrd: 1/2" x 6 1/2" Bolt, LN(2 ea) (3170)
7	70135968	10	Retaining Sleeve
8	70102339	3	Cross Tube Wiper Assembly, 164" Long; Mtg Hrd: 1/2" x 6 1/2" Bolt, LN (3150)
	70102321	3	Cross Tube Wiper Assembly, 194" Long; Mtg Hrd: 1/2" x 6 1/2" Bolt, LN (3160)
	70103536	3	Cross Tube Wiper Assembly, 224" Long; Mtg Hrd: 1/2" x 6 1/2" Bolt, LN (3170)
9	70135959	3	Plastic Wiper Blade 2 1/2" x 29 3/4"; Mtg Hrd: 1/4" x 1" Bolt, HD Fw, Lw, Nut (5ea) (3150/3160)
	70140534	3	Plastic Wiper Blade 2 1/2" x 35"; Mtg Hrd: 1/4" x 1" Bolt, HD Fw, Lw, Nut (6ea) (3170)
10	70135958	3	Plastic Wiper Blade 2 1/2" x 37 3/4"; Mtg Hrd: 1/4" x 1" Bolt, HD Fw, Lw, Nut (6 ea) (3150/3160)
	70140534	3	Plastic Wiper Blade 2 1/2" x 35"; Mtg Hrd: 1/4" x 1" Bolt, HD Fw, Lw, Nut (6ea) (3170)
11	70136065	3	Plastic Wiper Blade 2 1/2" x 89 1/2"; Mtg Hrd: 1/4" x 1" Bolt, HD Fw, Lw, Nut (14 ea) (3150)
	70135960	3	Plastic Wiper Blade 2 1/2" x 119 1/2"; Mtg Hrd: 1/4" x 1" Bolt, HD Fw, Lw, Nut (19 ea) (3160)
	70140533	3	Plastic Wiper Blade 2 1/2" x 73-1/2"; Mtg Hrd: 1/4" x 1" Bolt, HD Fw, Lw, Nut (12ea) (3170)

Undercarriage Parts - Single Axle

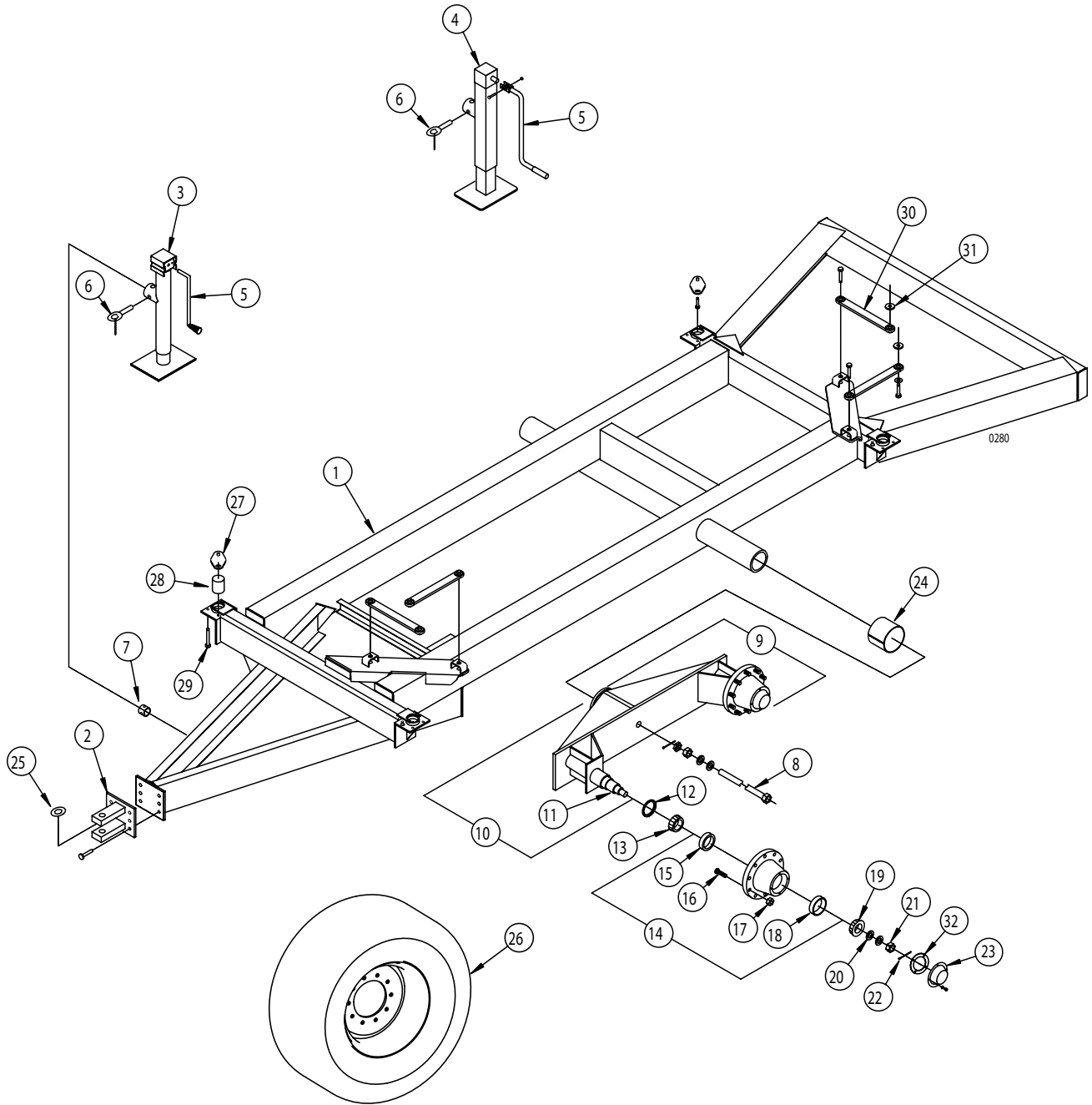


Undercarriage Parts - Single Axle

REF	PART NO	QTY	DESCRIPTION
1	70104000	1	Undercarriage Weldment (3150 only)
	70103996	1	Undercarriage Weldment (3160 only)
	70103997	1	Undercarriage Weldment (3170 only)
2	70102307	1	Clevis Hitch Assembly; Mtg Hrd: 3/4" x 2" Bolt (grade 8), LN (grade 8)
3	70174676	1	Jack, 10,000 lb (3170 only, includes crank assy& pull pin)
4	70171610	1	Jack, Sidewind 7000 lb (3150 & 3160)
5	70171612	1	Crank Assembly (3150 & 3160)
	70174840	1	Crank Assembly (3170 only)
6	70171613	1	Pull Pin (3150 & 3160)
	70174838	1	Pull Pin (3170 only)
7	70171615	1	Mount Tube (3150 & 3160)
	70174839	1	Mount Tube (3170 only)
8	70135918	2	Axle Spindle; 4 1/2" x 22 1/4" Mtg Hrd: 5/8" x 6-1/2" B, Ln
9	70172999	2	Wheel Hub Assy.; 10 bolt (includes 70170023 zerk)
10	70173031	1	Bearing Race; HM218210
11	70173032	1	Bearing Race; HM212011
12	70174784	10	Wheel Stud; 3/4" NF
13	70170920	10	Lug Nut; 3/4" NF
14	70173006	2	Grease Seal; Transcom # 44605SA
15	70173001	2	Bearing Cone; HM218248
16	70173002	2	Bearing Cone; HM212049
17	70173003	2	Spindle Nut
18	70173004	2	Lock Washer
19	70173005	2	Spindle Nut
20	70173007	2	Hub Cap; (includes gasket) Mtg Hrd: 5/16" x 3/4" Bolt (6 ea)
21	70102325	4	Load Cell Mount; Mtg Hrd: 1/2" x 1 1/2" Bolt, Lw, Nut (2 ea) Fw (4ea)
22	70173034*	4	Load Cell (Digi-Star)
	70175256*	4	Load Cell (Weigh-tronix)
	70137132	8	Shock pad (2 required for each Load Cell)
	70135961	4	Dummy Load Cell (For Units Without Scales)
23	70173019	4	Retaining Bolt; 5/8" x 7 1/2" B, Fw (2ea) Ln (1ea)
24	70103711	4	Check Arm; Mtg Hrd: running gear: Bolt; 7/8" x 3 1/2" B, Ln (grade 5), Mixer: 7/8" x 3 1/2" B, Ln, Fw (2 ea)
25	70140939	4	Plate; Spacer Disk
26	70175331	2	Wheel and Tire Assy 46 x 18, (neg 2" offset) (Aircraft)
27	70175334	1	Wheel Rim (inner); Mtg. Hrd: 1/2" x 1 1/4" B, LN (32EA)
28	70175333	1	Wheel Rim (outer)
29	70175332	1	Tire, 46" X 18" Aircraft 30 ply
30	70175335	1	Inner Tube 46 x 18 - 20 (not shown)
31	70175336	1	Flap, 46 x 18 (not shown)
32	70172312	2	Wheel Rim; 10 bolt (optional, 3150 only) not shown
33	70175269	2	Tire; 425-65R x 22.5" (optional) not shown
	70172313	2	Tire; 445-65R x 22.5" (optional) not shown
34	70174577	2	Inner Tube 18" x 22.5" (optional, 3150 only) not shown
35	70140848	1	Clevis Thrust Washer (Nylon)

* All (4) load cells should be Weigh-tronix or Digi-Star of the same MV rating to properly function and will work with either the Digi-Star or Weigh-tronix indicator.

Undercarriage Parts - Tandem Axle

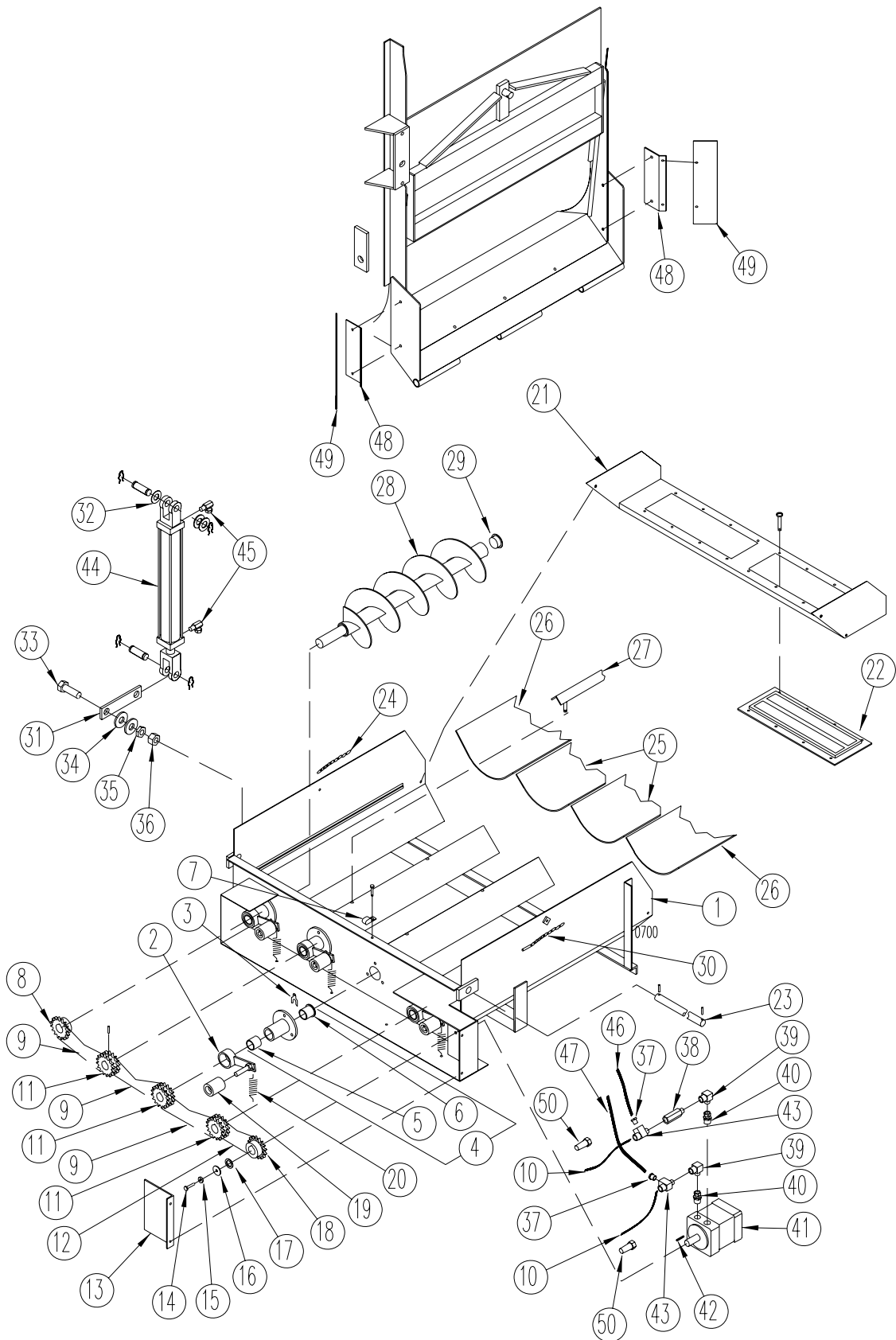


Undercarriage Parts - Tandem Axle

REF	PART NO	QTY	DESCRIPTION
1	70103998	1	Undercarriage Weldment with Bogies (3160 only)
	70103999	1	Undercarriage Weldment with Bogies (3170 only)
2	70102307	1	Clevis Hitch Assembly; Mtg Hrd: 3/4" x 2" Bolt (grade 8), LN (grade 8)
3	70174676	1	Jack, 10,000 lb (3170 only, includes crank assy, mount tube & pull pin)
4	70171610	1	Jack, sidewind 7000 lb (3160)
5	70171612	1	Crank Assembly (3160)
	70174840	1	Crank Assembly (3170 only)
6	70171613	1	Pull Pin (3160)
	70174838	1	Pull Pin (3170 only)
7	70171615	1	Mount Tube (3160)
	70174839	1	Mount Tube (3170 only)
8	70103754	1	Tie Rod Assembly Mtg Hrd:3/4" Nut, Jam Nut, (70170236) Cotter Pin(1 ea) & Fw (2)
9	70102049	1	LH Bogie Assembly
	70102048	1	RH Bogie Assembly
10	70102065	1	LH Bogie Weldment
	70102066	1	RH Bogie Weldment
	70170865	1	Grease Zerk
11	70134824	2	Spindle; 3 3/8" x 17 3/4"
12	70172362	2	Grease Seal C/R33772
13	70172360	2	Inside Bearing Cone Timken #33275 or Equiv.
14	70172396	2	10- Bolt Hub
15	70172361	1	Inside Bearing Race Timken #33462 or Equiv.
16	70174784	10	Wheel Stud; 3/4" NF, .78 diameter shank
17	70170920	10	Wheel Nut; 3/4" NF
18	70170922	1	Outside Bearing Race Timken 453A or Equiv.
19	70170921	2	Outside Bearing Cone Timken 460 or Equiv.
20	70170928	4	Spindle Washer
21	70170927	2	Castle Nut; 1 1/4" UNF
22	70170056	2	Cotter Pin; 1/4" x 2"
23	70170926	2	Dust Cap
24	70134843	1	Bushing, Bogie Pivot
25	70140848	1	Clevis Thrust Washer (Nylon)
26	70105003	4	Wheel/ Tire Assembly
	70176629	4	Wheel; 13.5" x 22.5" 10 Hole (optional)
	70174577	4	Inner Tube; 18" x 22.5" (optional) not shown
	70175269	4	Tire; 425-65R x 22.5" (optional)
	70175331	4	Wheel and Tire; 16x18-20; Aircraft (optional) not shown
	70175333	4	Rim (Outer) (optional) not shown
	70175334	4	Rim (Inner) (optional) not shown
	70175332	4	Tire (optional) not shown
	70175335	4	Tube (optional) not shown
	70175336	4	Flap (optional) not shown
27	70102325	4	Load Cell Mount; Mtg Hrd: 1/2" x 1-1/2" Bolt, Lw, Nut (2ea) Fw (4 ea)
28	70173034*	4	Load Cell (Digi-Star)
	70175256*	4	Load Cell (Weigh-Tronix)
	70137132	8	Shock pad (2 required for each Load Cell)
	70135961	4	Dummy Load Cell (For Units Without Scales)
29	70173019	4	Retaining Bolt; 5/8" x 7-1/2"; Fw (2 ea), Ln(1 ea)
30	70103989	4	Check Arm; Mtg Hrd: running gear: Bolt; 7/8" x 3 1/2" B, Ln Mixer: 7/8" x 3 1/2" B, Ln, Fw (2 ea)
31	70140939	4	Plate; Spacer Disk
32	70176936	2	Gasket

* All (4) load cells should be Weigh-tronix or Digi-Star of the same MV rating to properly function and will work with either the Digi-Star or Weigh-Tronix indicator.

4 Auger Discharge Parts (A Model Serial Numbers)



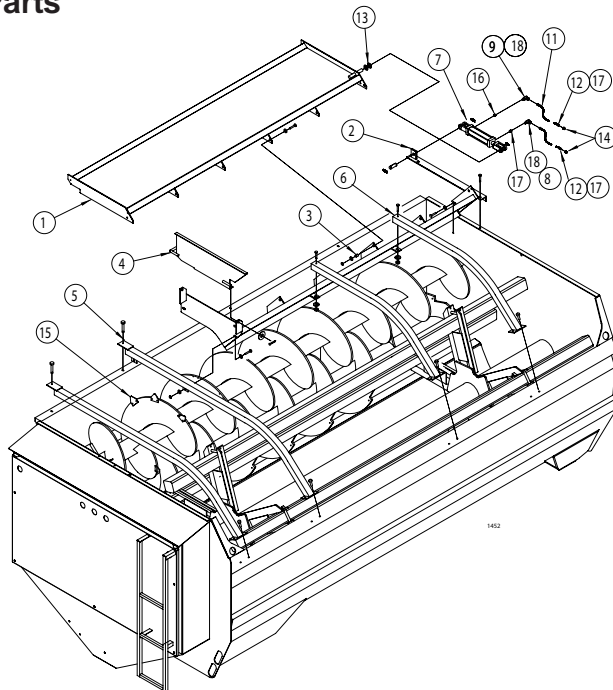
4 Auger Discharge Parts (A Model Serial Numbers)

REF	PART NO	QTY	DESCRIPTION
	70103644	1	Complete Chute Assembly, 3'
	70103855	1	Complete Chute Assembly, 2'
1	70102346	1	Chute Weldment, 3'
	70103854	1	Chute Weldment, 2'
2	70101231	4	Chain Tightener Arm
3	70171265	A/R	Shim; .017" Thick (1-2 each for auger adjustment)
4	70101227	4	Auger Bearing Assy; Mtg Hrd: 1-3/8" x 1" Bolt, Lw, Nut (3 ea) 70170865 Zerk; (1 ea)
5	70171259	1	Bushing; Bronze, 1-3/8" I.D.
6	70171260	1	Bushing; Bronze 1-3/8" I.D. Flanged
7	70171782	1	Double Hose Clamp; Mtg Hrd: 5/16" x 3/4" Bolt, Lw & Nut
8	70132701	1	Sprocket; 50-B-18, 1-3/8" Bore; Mtg Hrd: 70171414 Roll Pin; 5/16" x 2-1/2" (1 ea)
9	70171932	3	Roller Chain; 50-1-56 Pitch, W/Connector Link
10	70171330	2	Hydraulic Hose; 1/2" x 168" OAL
11	70134390	3	Sprocket; 50-2R-18, 1-3/8" Bore; Mtg Hrd: 70171414 Roll Pin; 5/16" x 2-1/2" (1 ea)
12	70171178	1	Roller Chain; 50-1-48 Pitch, W/Connector Link
13	70134394	1	Motor Drive Shield; Mtg Hrd: 5/16" x 3/4" Bolt, Lw & Nut (2 ea)
14	70170262	1	Bolt; 5/16" x 3/4" Hex Head
15	70170118	1	Washer; 5/16" Lock
16	70170302	1	Washer; 3/8" Heavy
17	70171576	1	Machine Washer
18	70134389	1	Sprocket; 50-B-18, 1" Bore
19	70134395	4	Tightener Block, 2" Dia x 2 1/2" Lg; Mtg Hrd: 5/8" LW & Jam Nut
20	70170110	4	Spring, Extension 3 15/16" Lg x 15/16" OD
21	70102347	1	Tipoff Assembly; Mtg Hrd: 5/16" x 3/4" Bolt, Lw & Nut (4 ea)
22	70171346	2	Magnet; Mtg Hrd: 1/4" x 3/4" Truss Head Bolt, Lw, Fw & Nut (8 ea)
23	70140001	1	Tipoff Pivot Rod 7/8" Dia x 51" Lg; Mtg Hrd: 70170115 Cotter Pin 3/16" x 2" (2 ea)
24	70141608	1	Chain; 5/0 Coil x 27 Link Mtg Hrd: 3/8" x 1" Bolt, FW, Ln (1 ea) 5/16" x 1" Truss Head Bolt, FW, LW, Nut (1 ea)
25	70133943	2	Plastic Chute Liner-Center, 3'; Mtg Hrd: 1/4" x 3/4" Truss Head Bolt, Lw, Nut (2 ea)
	70140938	2	Plastic Chute Liner-Center, 2'; Mtg Hrd: 1/4" x 3/4" Truss Head Bolt, Lw, Nut (2 ea)
26	70133942	2	Plastic Chute Liner-Side, 3'; Mtg Hrd: 1/4" x 3/4" Truss Head Bolt, Lw, Nut (2 ea)
	70140937	2	Plastic Chute Liner-Side, 2'; Mtg Hrd: 1/4" x 3/4" Truss Head Bolt, Lw, Nut (2 ea)
27	70140897	3	Liner Hold-Down, 3', Mtg Hrd: 5/16 x 1.5 Carriage Bolt, LW, FW, Nut (2 ea)
	70140933	3	Liner Hold-Down, 2', Mtg Hrd: 5/16 x 1.5 Carriage Bolt, LW, FW, Nut (2 ea)
28	70101736	4	Auger Assy, 3'
	70103756	4	Auger Assy, 2'
29	70171186	4	Plastic Cap Plug; #16
30	70103918	1	Chute Restraint Chain Assy; Mtg Hrd: 5/16" x 1" Truss Head Bolt, Fw, Lw, N 3/8" Fw, Ln
31	70133952	1	Chute Cylinder Linkage Bar; Mtg Hrd: 70170074 Hairpin Clip (1 ea)
32	70170122	5	Spacer Washer; 1" Sae Flat
33	70173021	1	Bolt, 1" x 3 1/2" Hex Head
34	70170122	2	Spacer Washer; 1" SAE Flat
35	70174927	1	Nut, 1" Hex Jam
36	70174928	1	Nut, 1" Hex Lock
37	70170235	2	Reducer Bushing; 1/2" to 3/8"
38	70171151	1	Line Check Valve; 1/2"
39	70171136	2	Street Elbow; 1/2" x 90°
40	70171668	2	Straight Thread Swivel Adapter
41	70171666	1	Hydraulic Motor; 12 cu.in. (Seal Kit #70171257) Mtg Hrd: 3/8" x 7/8" Bolt, Lw (4ea)
42	70171883	1	Key, Sq 1/4" x 1"
43	70170859	2	Service Tee; 1/2"
44	70173220	1	Hydraulic Cylinder; 2" x 18" (Seal Kit #70170075) 70173274 Pin, 70172275 Hairpin
45	70171030	2	Swivel Adapter; 3/8" x 90 Degree
46	70171427	1	Hyd Hose; 1/4" x 82" Overall Length
47	70171462	1	Hyd Hose; 1/4" x 76" Overall Length
48	70136142	2	Seal Retainer Plate; Mtg Hrd: existing on door extension
49	70136143	2	Chute Seal; Mtg Hrd: 1/4" x 3/4" Bolt, Lw (2ea)
50	70175536	2	Pioneer Quick Coupler

4 Auger Discharge Parts (B & C Model Serial Numbers)

REF	PART NO	QTY	DESCRIPTION
	70104394	1	Complete Chute Assembly, 3'
	70104395	1	Complete Chute Assembly, 2'
1	70102346	1	Chute Weldment, 3'
	70103854	1	Chute Weldment, 2'
2	70101231	4	Chain Tightener Arm
3	70171265	A/R	Shim; .017" Thick (1-2 each for auger adjustment)
4	70101227	4	Auger Bearing Assy; Mtg Hrd: 1-3/8" x 1" Bolt, Lw, Nut (3 ea)70170865 Zerk; (1 ea)
5	70171259	1	Bushing; Bronze, 1-3/8" I.D.
6	70171260	1	Bushing; Bronze 1-3/8" I.D. Flanged
7	70171561	2	Double Hose Clamp; Mtg Hrd: 5/16" x 3/4" Bolt, Lw & Nut
8	70132701	1	Sprocket; 50-B-18, 1-3/8" Bore; Mtg Hrd: 70171414 Roll Pin; 5/16" x 2-1/2" (1 ea)
9	70171932	3	Roller Chain; 50-1-56 Pitch, W/Connector Link
10	70134390	3	Sprocket; 50-2R-18, 1-3/8" Bore; Mtg Hrd: 70171414 Roll Pin; 5/16" x 2-1/2" (1 ea)
11	70171178	1	Roller Chain; 50-1-48 Pitch, W/Connector Link
12	70134394	1	Motor Drive Shield; Mtg Hrd: 5/16" x 3/4" Bolt, Lw & Nut (2 ea)
13	70170262	1	Bolt; 5/16" x 3/4" Hex Head
14	70170118	1	Washer; 5/16" Lock
15	70170302	1	Washer; 3/8" Heavy
16	70171576	1	Machine Washer
17	70134389	1	Sprocket; 50-B-18, 1" Bore
18	70134395	4	Tightener Block, 2" Dia x 2 1/2" Lg; Mtg Hrd: 5/8" LW & Jam Nut
19	70170110	4	Spring, Extension 3 15/16" Lg x 15/16" OD
20	70102347	1	Tipoff Assembly; Mtg Hrd: 5/16" x 3/4" Bolt, Lw & Nut (4 ea)
21	70171346	2	Magnet; Mtg Hrd: 1/4" x 3/4" Truss Head Bolt, Lw, Fw & Nut (8 ea)
22	70140001	1	Tipoff Pivot Rod 7/8" Dia x 51" Lg; Mtg Hrd: 70170115 Cotter Pin 3/16" x 2" (2 ea)
23	70141608	1	Chain; 5/0 Coil x 27 Link Mtg Hrd: 3/8" x 1" Bolt, FW, Ln (1 ea) 5/16" x 1" Truss Head Bolt, FW, LW, Nut (1 ea)
24	70133943	2	Plastic Chute Liner-Center, 3'; Mtg Hrd: 1/4" x 3/4" Truss Head Bolt, Lw, Nut (2 ea)
	70140938	2	Plastic Chute Liner-Center, 2'; Mtg Hrd: 1/4" x 3/4" Truss Head Bolt, Lw, Nut (2 ea)
25	70133942	2	Plastic Chute Liner-Side, 3'; Mtg Hrd: 1/4" x 3/4" Truss Head Bolt, Lw, Nut (2 ea)
	70140937	2	Plastic Chute Liner-Side, 2'; Mtg Hrd: 1/4" x 3/4" Truss Head Bolt, Lw, Nut (2 ea)
26	70140897	3	Liner Hold-Down, 3', Mtg Hrd: 5/16 x 1.5 Carriage Bolt, LW, FW, Nut (2 ea)
	70140933	3	Liner Hold-Down, 2', Mtg Hrd: 5/16 x 1.5 Carriage Bolt, LW, FW, Nut (2 ea)
27	70101736	4	Auger Assy, 3'
	70103756	4	Auger Assy, 2'
28	70171186	4	Plastic Cap Plug; #16
29	70103918	1	Chute Restraint Chain Assy;Mtg Hrd: 5/16" x 1" Truss Head Bolt, Fw, Lw, N 3/8" Fw, Ln
30	70133952	1	Chute Cylinder Linkage Bar; Mtg Hrd: 70170074 Hairpin Clip (1 ea)
31	70170122	5	Spacer Washer; 1" Sae Flat
32	70173021	1	Bolt, 1" x 3 1/2" Hex Head
33	70170122	2	Spacer Washer; 1" SAE Flat
34	70174927	1	Nut, 1" Hex Jam
35	70174928	1	Nut, 1" Hex Lock
36	70171666	1	Hydraulic Motor; 12 cu.in. (Seal Kit #70171257) Mtg Hrd: 3/8" x 7/8" Bolt, Lw (4ea)
37	70171883	1	Key, Sq 1/4" x 1"
38	70175685	1	Hydraulic Cylinder, 2" x 18"
39	70136142	2	Seal Retainer Plate; Mtg Hrd: existing on door extension
40	70136143	2	Chute Seal; Mtg Hrd: 1/4" x 3/4" Bolt, Lw (2ea)
41	70175699	2	Straight Adapter, 10 OM x 08 JM
42	70175700	1	Straight Adapter, 08 OM x 08 JM
43	70175702	4	Adapter 90 Deg., 08 JFS x 08 JM
44	70175709	2	Adapter Tee, 08 JFS x 08 JM x 08 JM
45	70175711	1	Check Valve, 10 OM x 10 OF
46	70175916	1	Hydraulic Hose, 3/8" x 102" 100 R7
47	70175917	1	Hydraulic Hose, 3/8" x 82" 100 R7
48	70175918	2	Hydraulic Hose, 1/2" x 168" 100R7
49	70143415	1	Straight Adapter (Restricted), 08 OM x 08 JM .060" Dia.
50	70175687	2	Pioneer Quick Coupler

HAY MAXX Parts



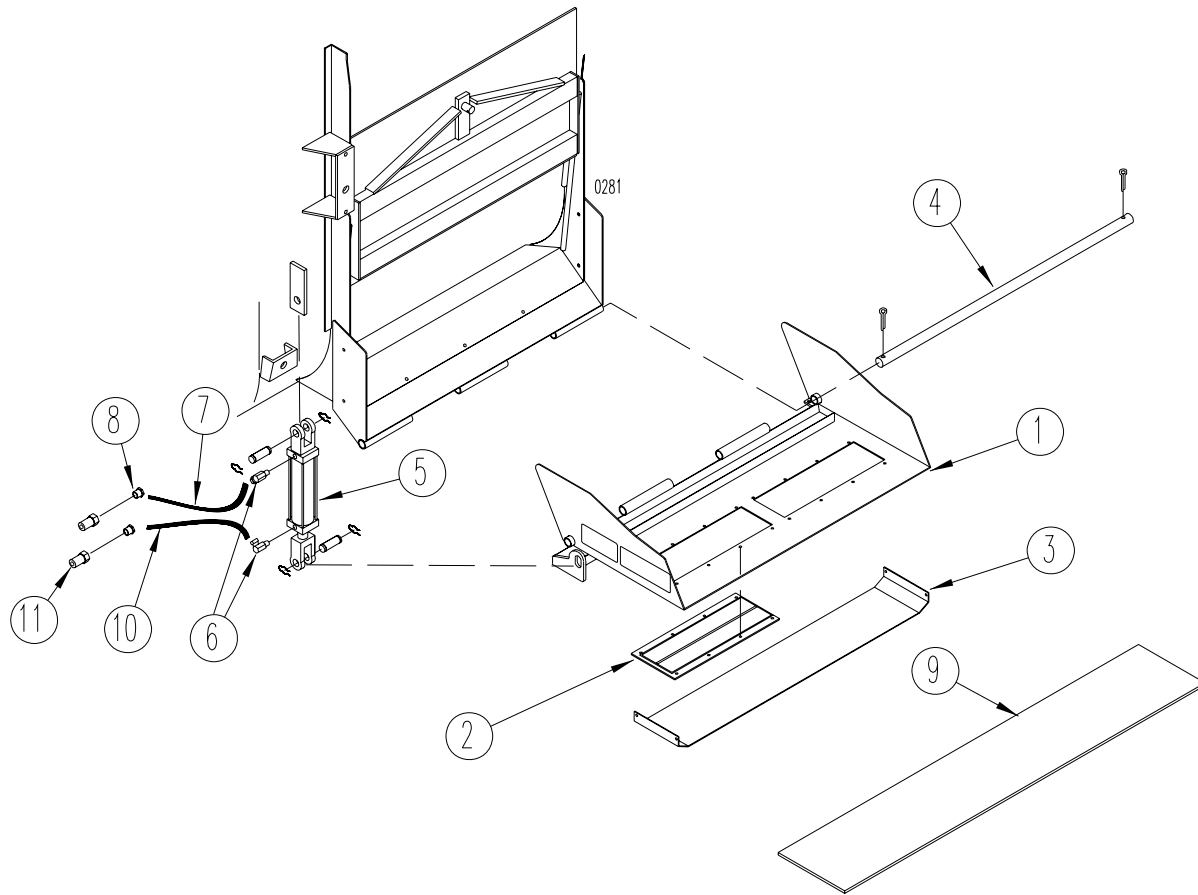
REF	PART NO	QTY	DESCRIPTION
1	70102484	1	Upper HAY MAXX; (3150 only) Mtg Hrd: 1/2" x 1 3/4" B, Ln (6 ea), Fw (10ea.)
	70103523	1	Upper HAY MAXX; (3160 & 3170) Mtg Hrd: 1/2" x 1 3/4" B, Ln (7 ea), Fw (12 ea.)
2	70103526	1	Lower HAY MAXX; (3150 only)
	70103522	1	Lower HAY MAXX; (3160 & 3170)
			Mtg Hrd: 1/2" x 1-1/4" Bolt, Fw, Ln (2 ea.) 1/2" x 1-1/2" Bolt, Ln(3 ea), Fw (4 ea.)
3	70134771	6	Pivot Bushing (3150 only)
	70134771	7	Pivot Bushing (3160 & 3170)
4	70102479	1	Haypan Backstop; Mtg Hrd: 3/4" Fw, 3/16" x 2" Cotter Pin
5	70104246 ^B	1	Bucket Guard; Mtg Hrd: Left Side 1/2" x 1 1/4" bolt, Fw, Lw, N (1 ea)
	70103524 ^A	1	Bucket Guard; Mtg Hrd: Left Side 1/2" x 1 1/4" bolt, Fw, Lw, N (1 ea)
			Right Side 3/8" x 1 1/4" bolt, Lw, N (2 ea)
6	70104247 ^B	2	Bucket Guard; Mtg Hrd: 1/2" x 4" B, Fw, Ln (1ea.) 3/8" x 1 1/4" B, Lw, N (2 ea)
	70103524 ^A	2	Bucket Guard; Mtg Hrd: 1/2" x 4" B, Fw, Ln (1ea.) 3/8" x 1 1/4" B, Lw, N (2 ea)
	70103521	1	Bucket Guard (3170 only)
7	70175726*	1	Hydraulic Cylinder; 2" Dia. x 10" (seal kit 170-075); 173-274 Pin, 170-074 Hairpin
	70173273 ^A	1	Hydraulic Cylinder; 2" Dia. x 10" (seal kit 170-075); 173-274 Pin, 172-275 Hairpin
8	70171030*	1	90 Deg. Swivel Adapter; 3/8"
9	70171723*	1	90 Deg. Swivel Restrictor; 3/8"
10	70175906*	1	Hydraulic Hose; 1/4" x 162"
	70170471 ^A	1	Hydraulic Hose; 1/4" x 170"
11	70175907*	1	Hydraulic Hose; 1/4" x 170"
	70170468 ^A	1	Hydraulic Hose; 1/4" x 162"
12	70170235*	2	Reducer Fitting; 1/2" To 3/8"
13	70170122	A/R	Spacer Washer; 1" SAE Flat (6-9 required)
	70172442	1	Electric Switching Valve (Optional) Mounted On Tractor
14	70175687*	2	Pioneer Quick Coupler
	70175536*	2	Pioneer Quick Coupler
15	70174558	50	Knife, Mtg Hrd: 5/16 x 1-1/4" Bolt, Lw, N (2ea)
16	70143499*	1	Straight Adapter, 08 OM x 06 JM.04
17	70175675*	3	Straight Adapter, 08 OM x 06 JM
18	70175673*	2	90 Deg. Adapter, 90, 06 JFS x 06 JM

*When ordering hydraulic hoses and fittings, please specify pipe thread, O-Ring or JIC.

^A Parts used with "A" model serial numbers and units with short side option

^B Parts used with tall side option

Slide Tray Parts (A Model Serial Numbers)

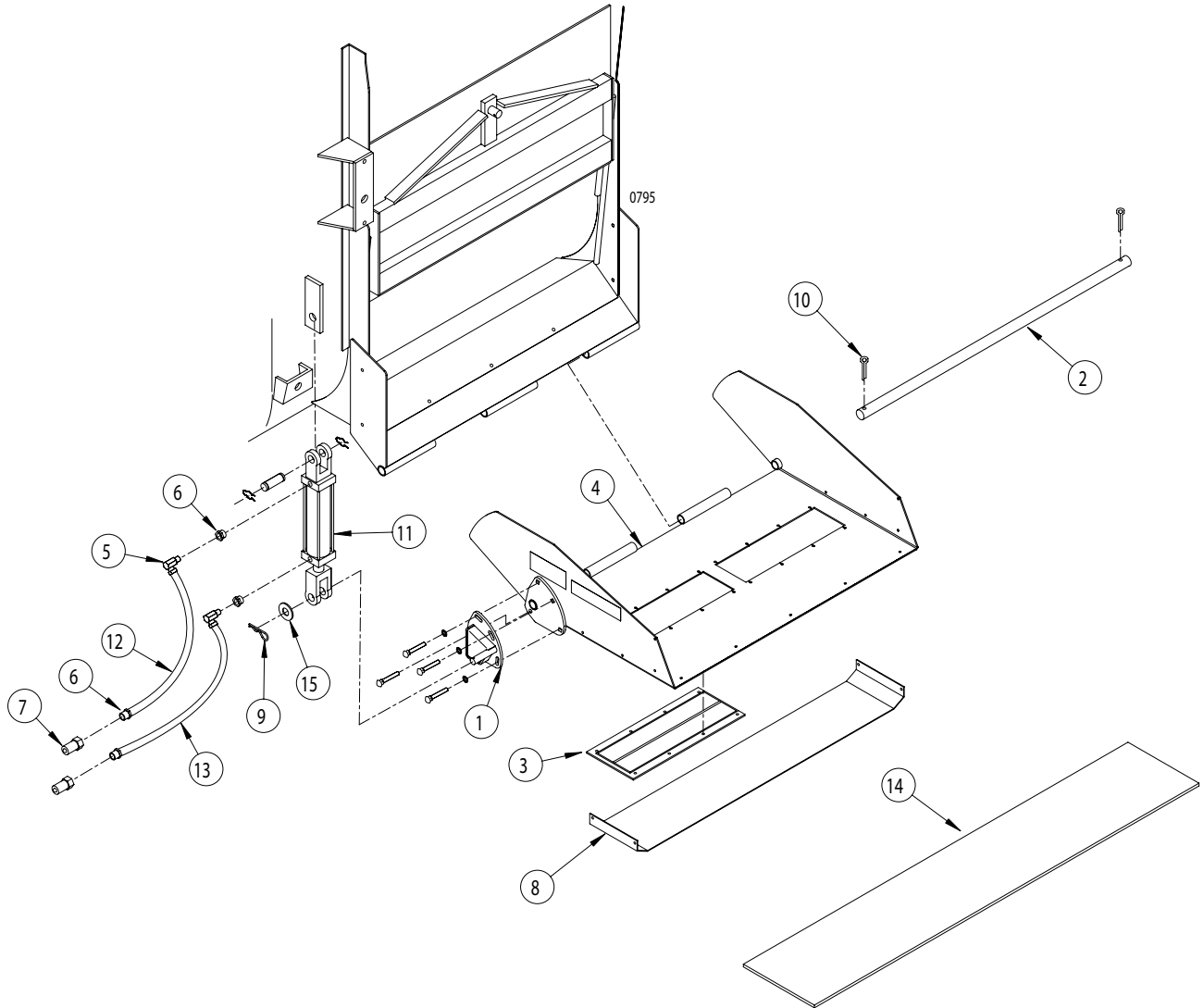


**When ordering hydraulic hoses and fittings, please specify pipe thread or O-Ring/JIC.*

REF	PART NO	QTY	DESCRIPTION
1	70103751	1	Slide Tray Assembly
2	70171346	2	Discharge Magnet; Mtg Hrd: 1/4" x 3/4" truss head bolt, Fw, Lw, N, (8 ea)
3	70140014	1	Skid Plate; Mtg Hrd: 1/4" x 3/4" PHB, Lw, N, (4 ea)
4	70140003	1	Pivot Rod 7/8" Dia x 47" Lg; Mtg Hrd 70170115 Cotter Key (Qty 2)
5	70173270	1	Hydraulic Cylinder; 2" dia. x 8" (seal kit 70170075); 70173274 Pin, 70172275 Hairpin)
6	70171030	2	Swivel Adapter; 3/8" x 90°
7	70170471	1	Hydraulic Hose; 1/4" x 170" OAL
8	70170235	2	Reducer Fitting; 1/2" x 3/8" NPT
9	70181040*	5.4'	Extension Belting; Mtg Hrd: 1/4" x 1" truss head bolt, Fw, Nut (9 ea)
10	70170468	1	Hydraulic Hose; 1/4" x 162" OAL
11	70175536	2	Pioneer Quick Coupler

* Sold by the linear foot.

Slide Tray Parts (Adjustable) (B & C Model Serial Numbers)

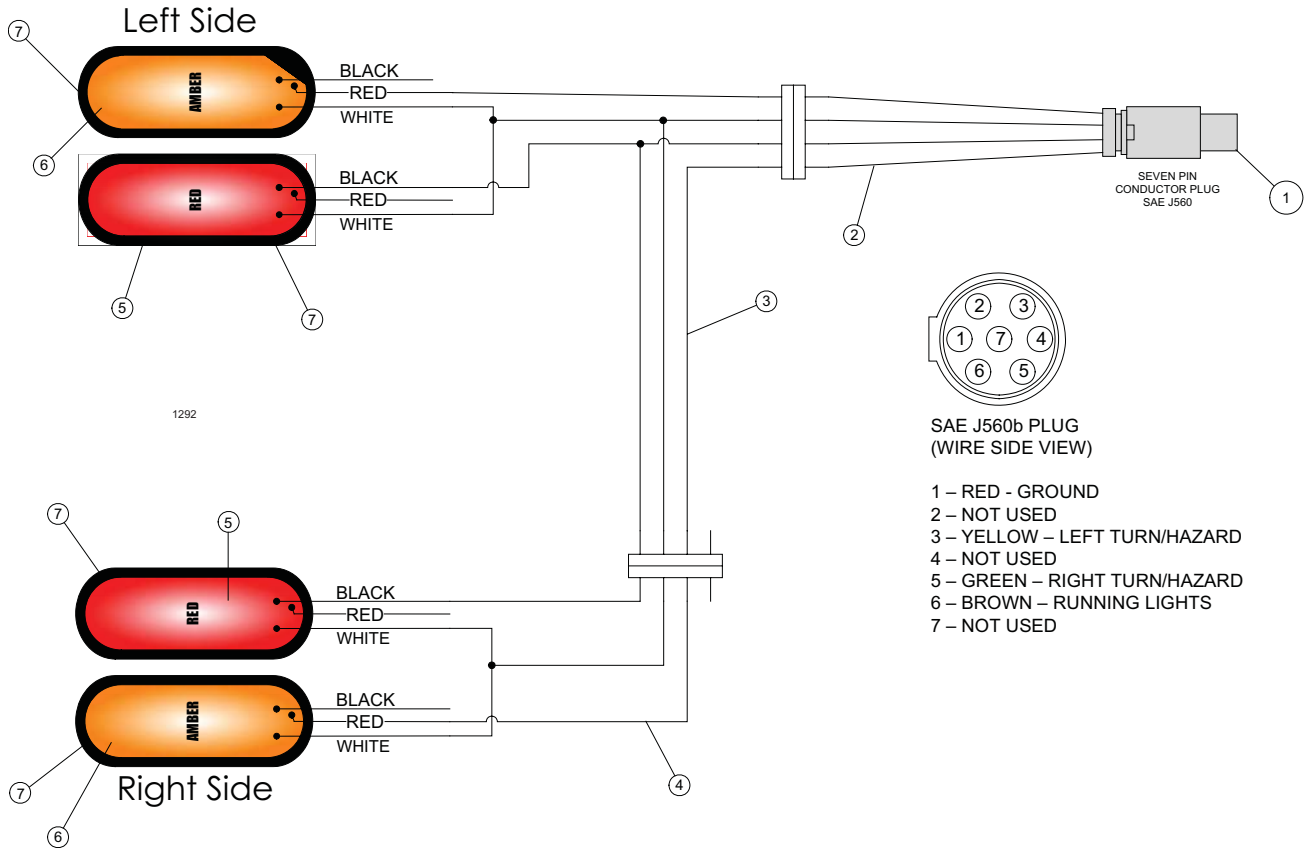


**When ordering hydraulic hoses and fittings, please specify pipe thread or O-Ring/JIC.*

REF	PART NO	QTY	DESCRIPTION
1	70104328	1	Slide Tray Adjuster Pivot; Mtg Hrd: (1) 1/2" x 1 1/2" Carriage Bolt, (2) 1/2" x 2" Carriage Bolt, (1) 1/2" x 2" Hex Head, Fw (3ea) , Ln (4ea)
2	70142887	1	Pivot Rod, 1" x 46 1/2"
3	70171346	2	Discharge Magnet; Mtg Hrd: 1/4" x 3/4" truss head bolt, Fw, Lw, N, (8 ea)
4	70104250	1	Slide Tray Assembly
5	70175673	2	90 Deg. Adapter; 06 JFS x 06 JM
6	70175675	4	Straight Adapter; 08 OM x 06 JM
7	70175687	2	Quick Coupler
8	70140014	1	Skid Plate; Mtg Hrd: 1/4" x 3/4" PHB, Lw, N, (4 ea)
9	70170074	1	Hair Pin Clip
10	70170115	2	Cotter Pin
11	70175686	1	Hydraulic Cylinder; 2" x 8" Stroke (seal kit 70170075); 70173274 Pin
12	70175907	1	Hydraulic Hose; 1/4" x 170"
13	70175906	1	Hydraulic Hose; 1/4" x 162"
14	70181040*	5.4'	Extension Belting; Mtg Hrd: 1/4" x 1" truss head bolt, Fw, Nut (9 ea)
15	70170122	3	Flat Washer, 1"

* Sold by the linear foot.

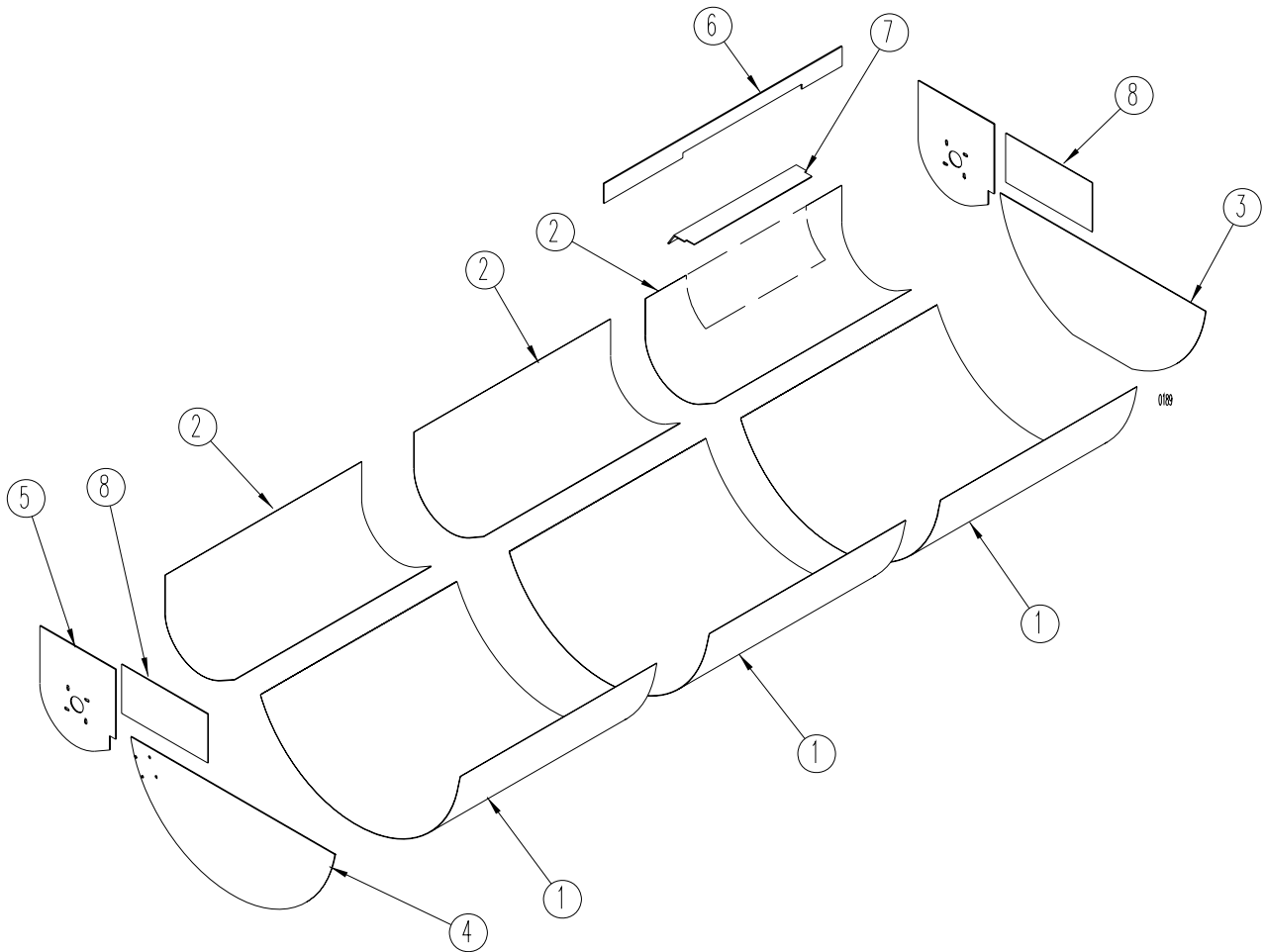
Light Kit Parts



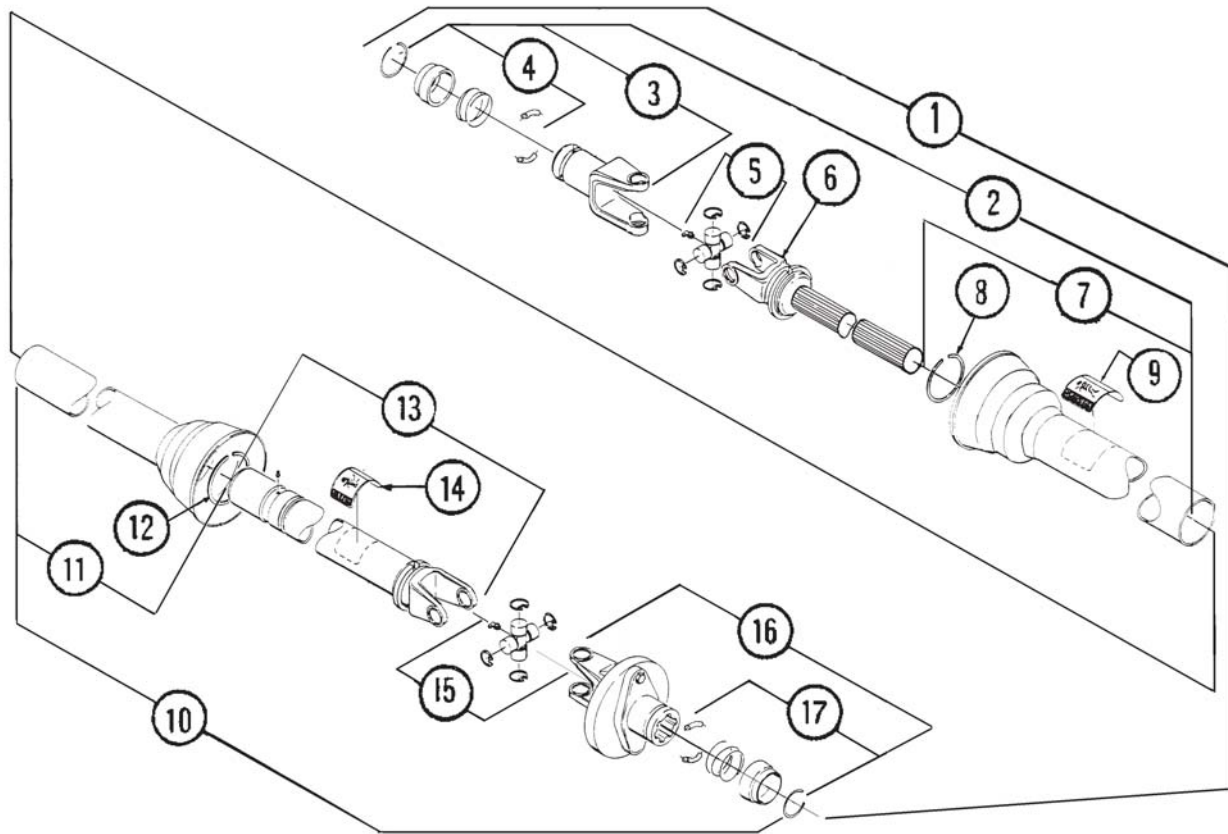
REF	PART NO	QTY	DESCRIPTION
	174-675	1	Light Kit
1	172-110	1	7 Pin Connector
2	174-775	1	Main Harness
3	176-848	4	Light, LH Harness
4	177-480	1	Light, RH Harness
5	174-674	2	Light, Red
6	174-673	2	Light, Amber
7	174-725	4	Grommet

Repair Liner Parts

REF	PART NO		QTY	DESCRIPTION
	Stainless Steel	Hot Rolled Steel		
1	70136030	70136751	3	Reel Liner (3150 only)
	70136038	70136752	3	Reel Liner (3160 only)
	70140530	70140529	4	Reel Liner (3170 only)
2	70136031	70136753	3	Auger Liner (3150 only)
	70136039	70136754	3	Auger Liner (3160 only)
	70140532	70140531	4	Auger Liner (3170 only)
3	70136036	70136755	1	Reel End Liner <i>(front)</i>
4	70136037	70136756	1	Reel End Liner <i>(rear)</i>
5	70136035	70136757	2	Auger End Liner
6	70136033	70136758	1	Upper Door Liner
7	70136032	70136759	1	Door Opening Liner
8	70136034	70136760	2	Upper Reel End Liner



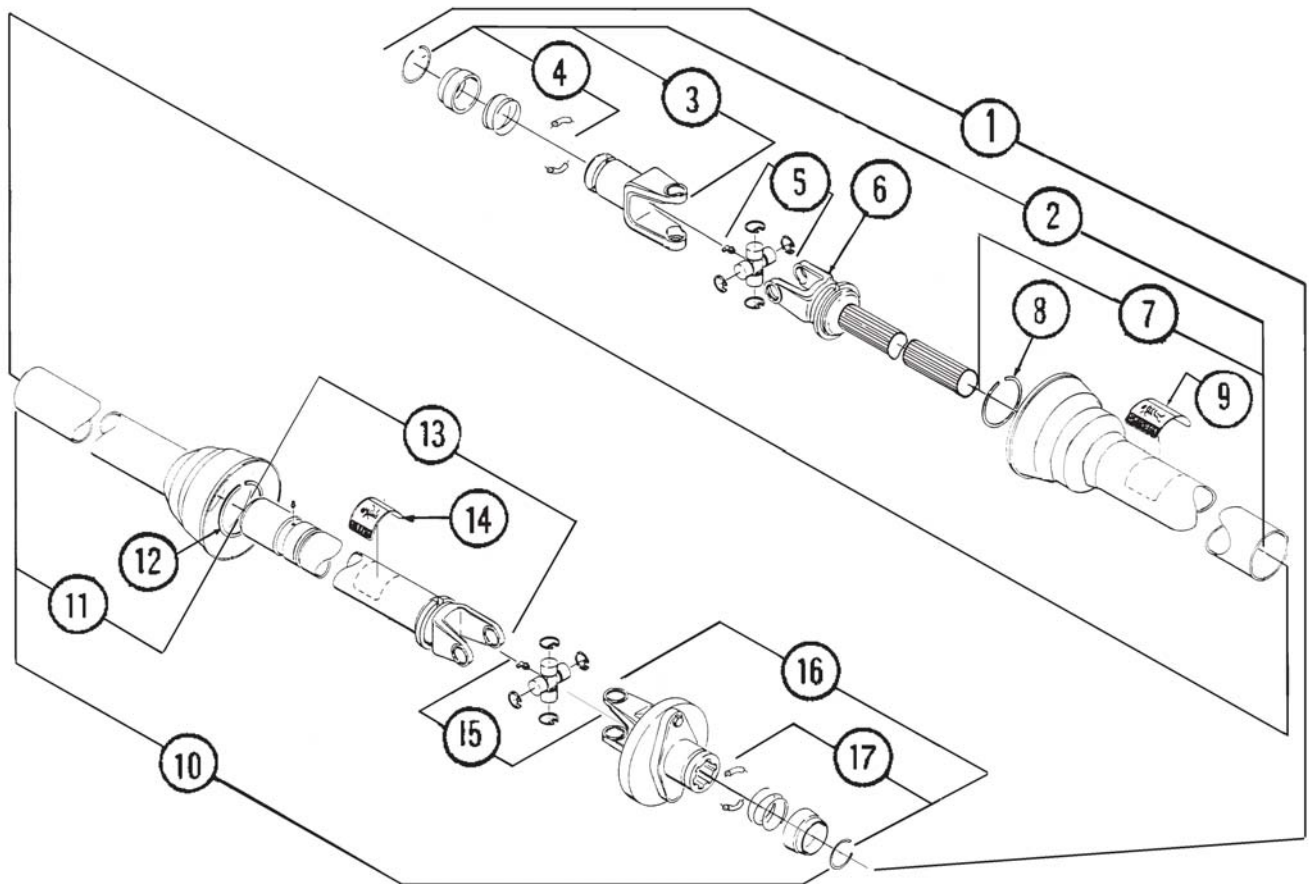
PTO Driveline-540 RPM-6 Spline-1-3/8" Yoke - Splined Shaft



174681

Order these components if the PTO halves are joined with splined shafts.

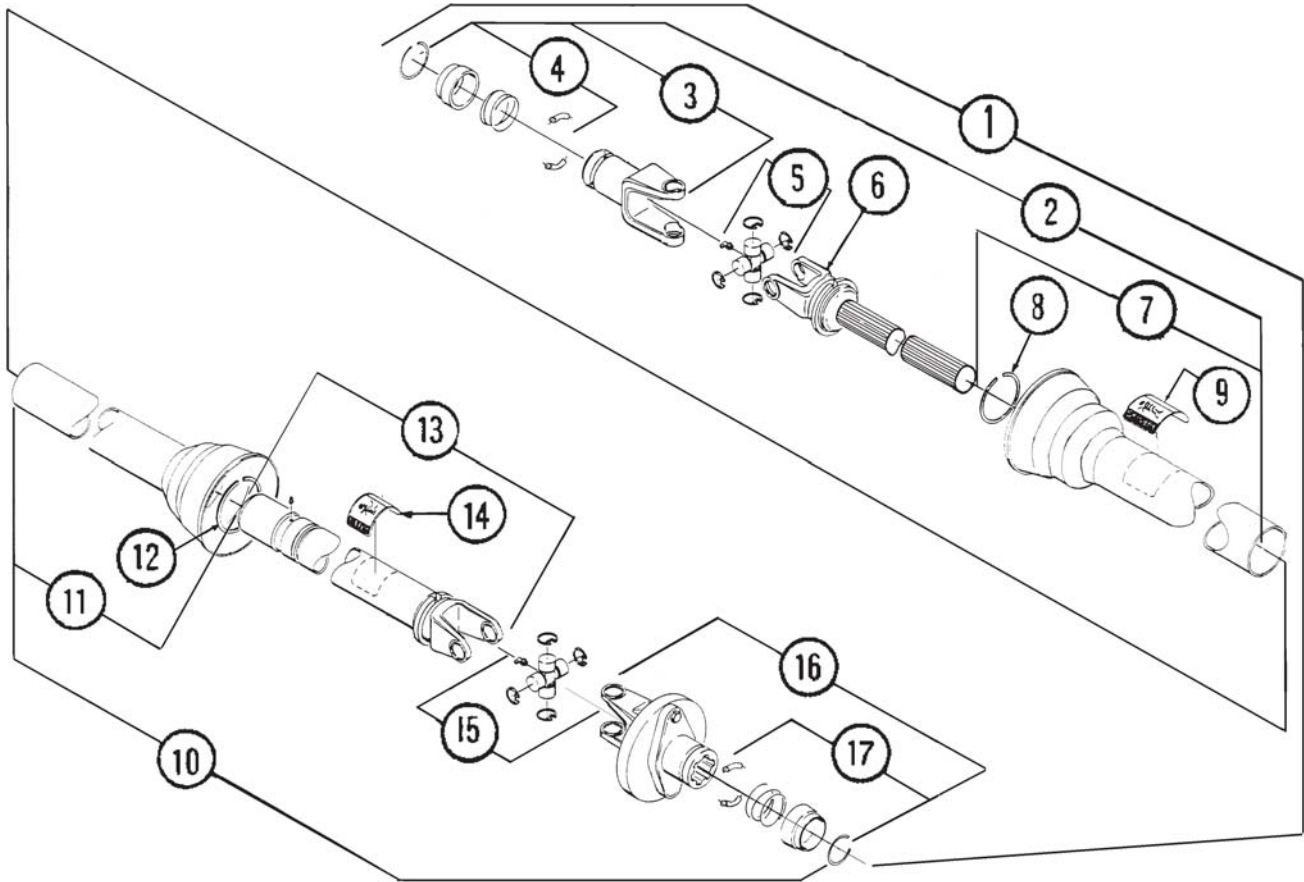
REF	PART NUMBER	QTY	DESCRIPTION
1	70175598	1	Driveline Complete
2	70175649	1	Joint and Shaft Half with Guard
3	70171542	1	Yoke Assembly
4	70171544	1	Safety Slide Lock Repair Kit
5	70170776	1	Cross and Bearing Kit
6	70174683	1	Yoke and Shaft
7	70173320	1	Outer Guard
8	70170220	1	Nylon Repair Kit
9	70171550	1	Safety Decal
10	70174690	1	Joint and Shaft Half with Guard
11	70172847	1	Inner Guard
12	70170220	1	Nylon Repair Kit
13	70173426	1	Yoke Tube and Slip Sleeve
14	70171799	1	Safety Decal
15	70170776	1	Cross and Bearing Kit
16	70172924	1	Ball Shear Clutch
	70172987	1	Shear Bolt; 5/16"-18 x 2.00"LG (grade5)
	70170137	1	Lock Nut; 5/16"-18 (grade 5)
17	70171544	1	Safety Slide Lock Repair Kit

PTO Driveline-3150 & 3160-1000 RPM-21 Spline-1-3/8" Yoke - Splined Shaft

Order these components if the PTO halves are joined with splined shafts.

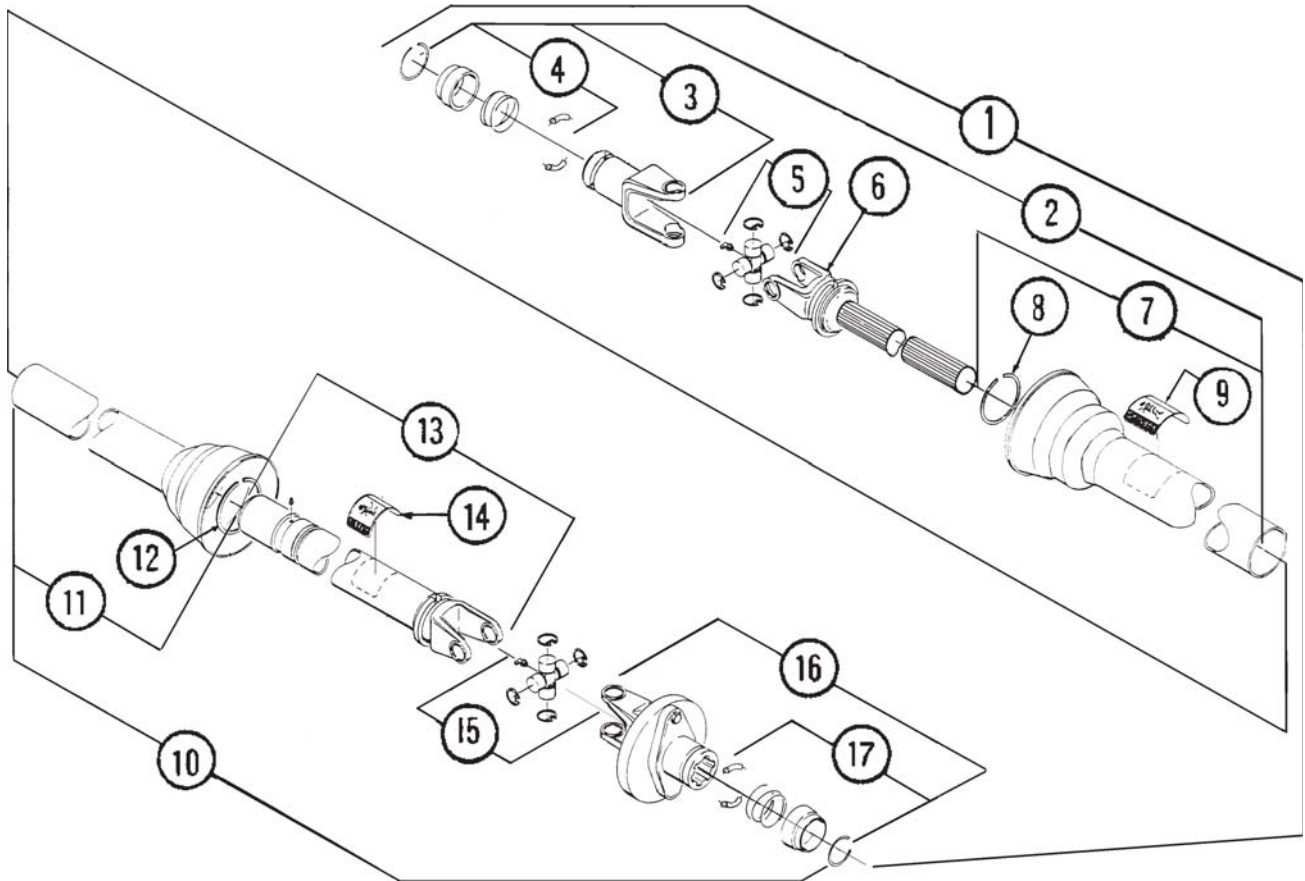
REF	PART NO	QTY	DESCRIPTION
1	70175597	1	Driveline Complete
2	70174689	1	Joint and Shaft Half with Guard
3	70171543	1	Yoke Assembly
4	70171544	1	Safety Slide Lock Repair Kit
5	70170776	1	Cross and Bearing Kit
6	70174683	1	Yoke and Shaft
7	70173320	1	Outer Guard
8	70170220	1	Nylon Repair Kit
9	70171550	1	Safety Decal
10	70175647	1	Joint and Tube Half with Guard
11	70172847	1	Inner Guard
12	70170220	1	Nylon Repair Kit
13	70173426	1	Yoke Tube and Slip Sleeve
14	70171799	1	Safety Decal
15	70170776	1	Cross and Bearing Kit
16	70172925	1	Ball Shear Clutch
	70172986	1	Shear Bolt; 1/4"-20 x 2" (grade5)
	70170069	1	Lock Nut; 1/4"-20 x 2" (grade 5)
17	70171544	1	Safety Slide Lock Repair Kit

PTO Driveline-3150 & 3160-1000 RPM-20 Spline-1-3/4" Yoke - Splined Shaft



Order these components if the PTO halves are joined with splined shafts.

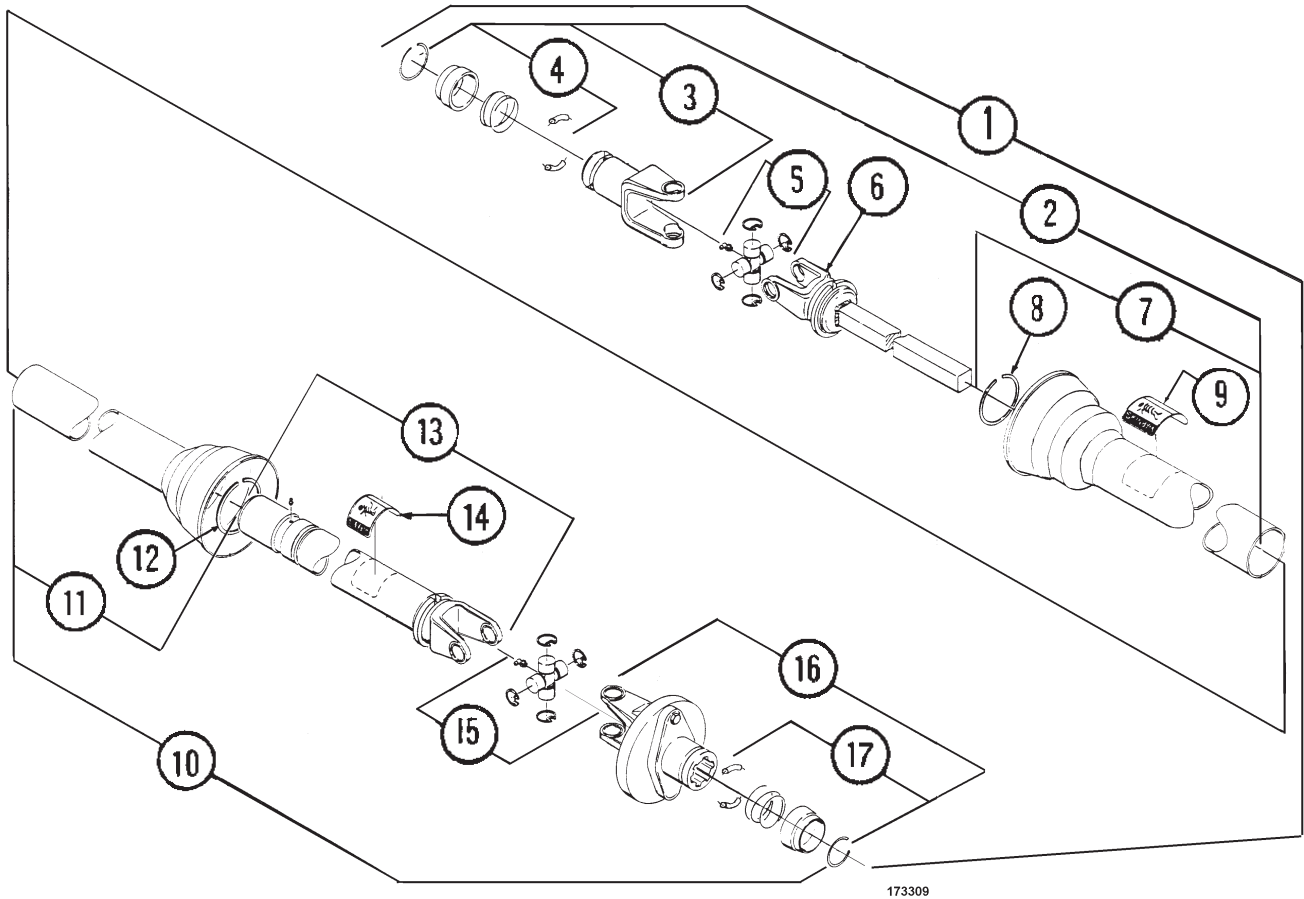
REF	PART NO	QTY	DESCRIPTION
1	70175599	1	Driveline Complete
2	70175650	1	Joint and Shaft Half with Guard
3	70172447	1	Yoke Assembly
4	70172496	1	Safety Slide Lock Repair Kit
5	70170776	1	Cross and Bearing Kit
6	70174684	1	Yoke and Shaft
7	70173321	1	Outer Guard
8	70170220	1	Nylon Repair Kit
9	70171550	1	Safety Decal
10	70175648	1	Joint and Tube Half with Guard
11	70172994	1	Inner Guard
12	70170220	1	Nylon Repair Kit
13	70173435	1	Yoke Tube and Slip Sleeve
14	70171799	1	Safety Decal
15	70170776	1	Cross and Bearing Kit
16	70172925	1	Ball Shear Clutch
	70172986	1	Shear Bolt; 1/4"-20 x 2"LG (grade5)
	70170069	1	Lock Nut; 1/4"-20 x 2" (grade 5)
17	70171544	1	Safety Slide Lock Repair Kit

PTO Driveline-3170 Only-1000 RPM-21 Spline-1-3/8" Yoke - Splined Shaft

Order these components if the PTO halves are joined with splined shafts.

REF	PART NO	QTY	DESCRIPTION
1	70174681	1	Driveline Complete
2	70174689	1	Joint and Shaft Half with Guard
3	70171543	1	Yoke Assembly
4	70171544	1	Safety Slide Lock Repair Kit
5	70170776	1	Cross and Bearing Kit
6	70174683	1	Yoke and Shaft
7	70173320	1	Outer Guard
8	70170220	1	Nylon Repair Kit
9	70171550	1	Safety Decal
10	70174690	1	Joint and Tube Half with Guard
11	70172847	1	Inner Guard
12	70170220	1	Nylon Repair Kit
13	70173426	1	Yoke Tube and Slip Sleeve
14	70171799	1	Safety Decal
15	70170776	1	Cross and Bearing Kit
16	70172924	1	Ball Shear Clutch
	70172987	1	Shear Bolt; 5/16" x 2" (grade5)
	70170028	1	Lock Nut; 5/16" (grade 5)
17	70171544	1	Safety Slide Lock Repair Kit

PTO Driveline-3150 Only-540 RPM-6 Spline-1-3/8" Yoke - Square Shaft

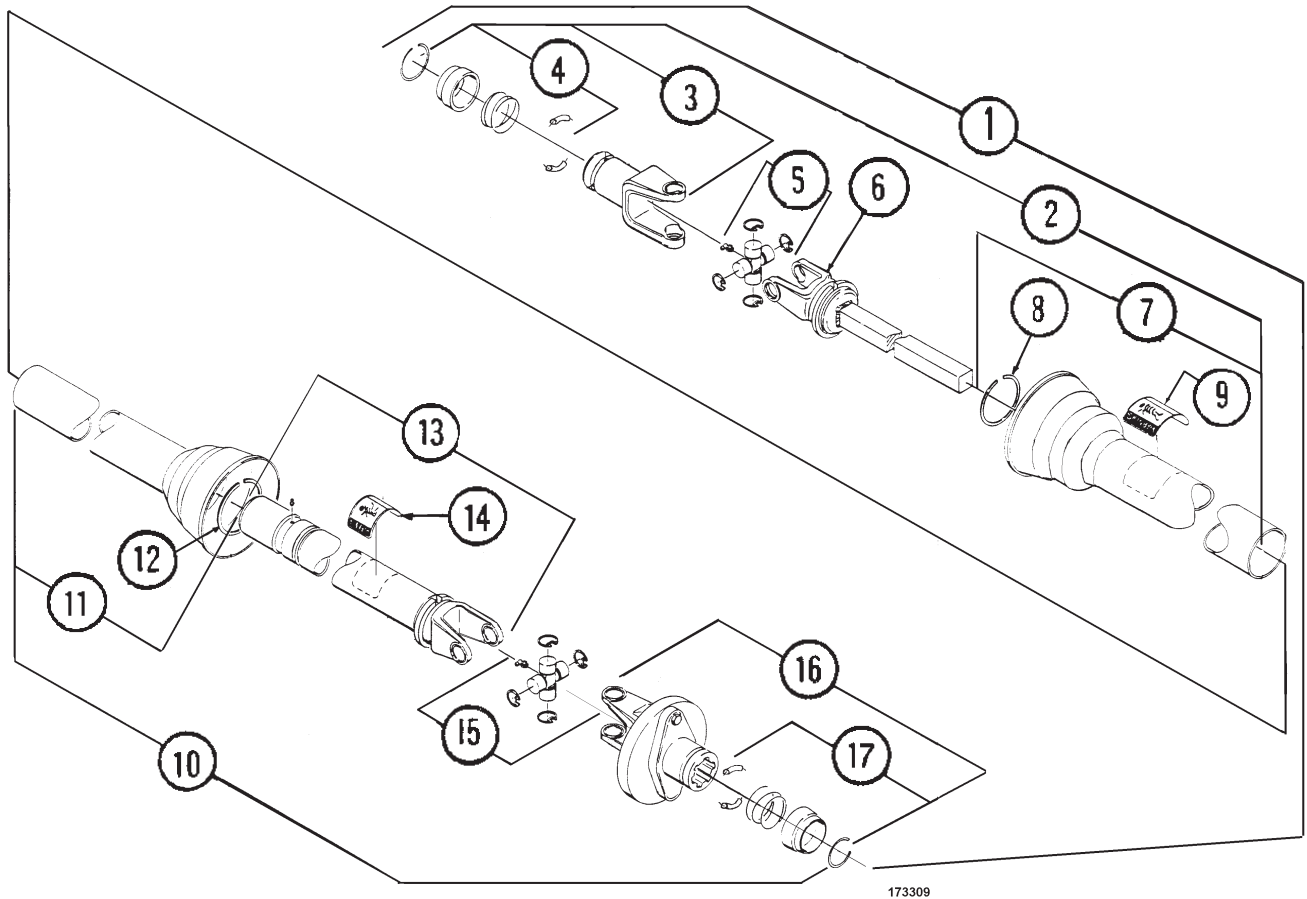


173309

Order these components if the PTO halves are joined with square shafts.

REF	PART NO	QTY	DESCRIPTION
1	70173309	1	Driveline Complete
2	70173316	1	Joint and Shaft Half with Guard
3	70171542	1	Yoke Assembly
4	70171544	1	Safety Slide Lock Repair Kit
5	70170776	1	Cross and Bearing Kit
6	70173318	1	Yoke and Shaft
7	70173320	1	Outer Guard
8	70170220	1	Nylon Repair Kit
9	70171550	1	Safety Decal
10	70172989	1	Joint and Tube Half with Guard
11	70172847	1	Inner Guard
12	70170220	1	Nylon Repair Kit
13	70172845	1	Yoke Tube and Slip Sleeve
14	70171799	1	Safety Decal
15	70170776	1	Cross and Bearing Kit
16	70172924	1	Ball Shear Clutch
	70172987	1	Shear Bolt; 5/16" x 2" (grade 5)
	70170028	1	Lock Nut; 5/16" (grade 5)
17	70171544	1	Safety Slide Lock Repair Kit

PTO Driveline-3150 & 3160-1000 RPM-21 Spline-1-3/8" Yoke - Square Shaft

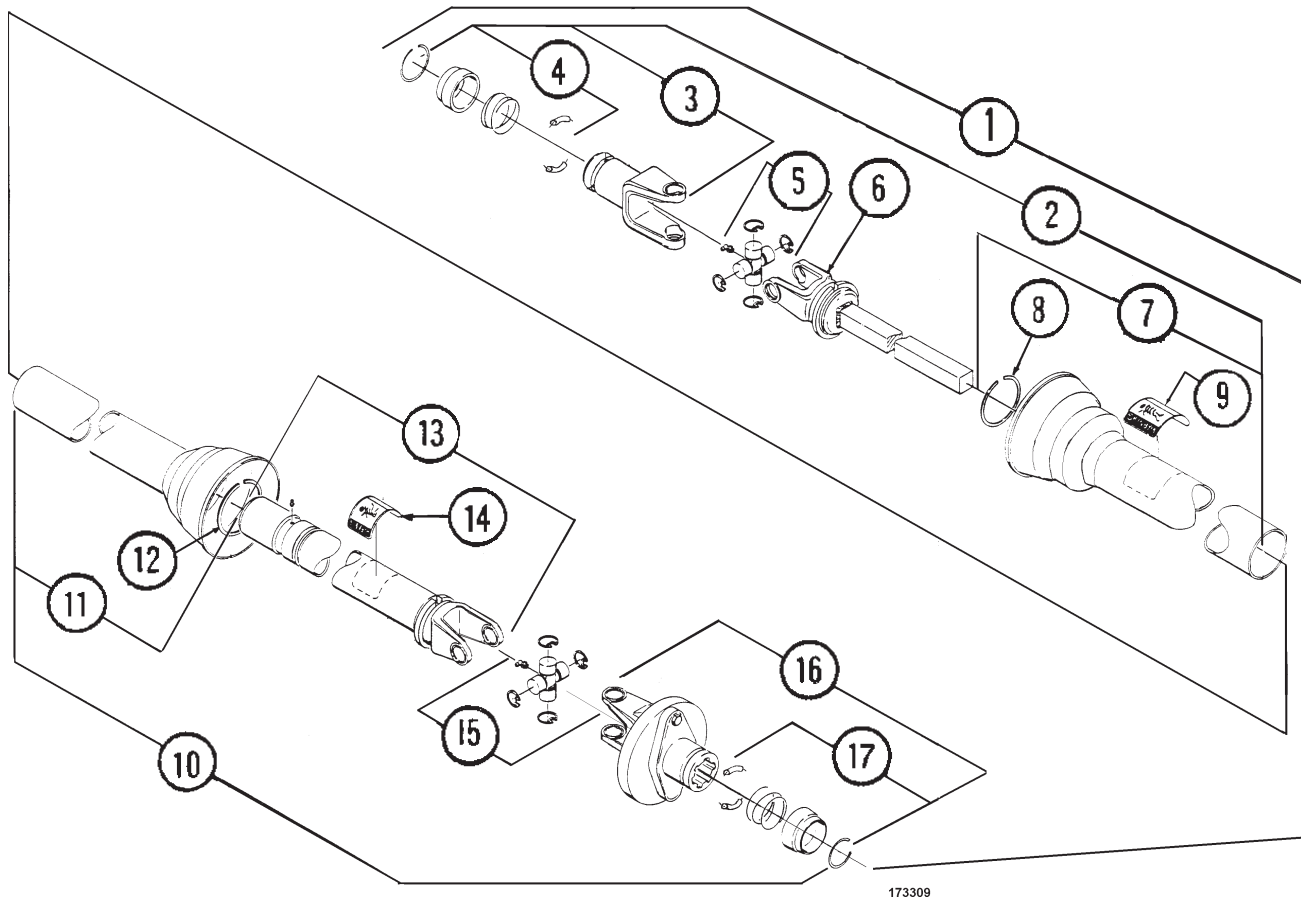


173309

Order these components if the PTO halves are joined with square shafts.

REF	PART NO	QTY	DESCRIPTION
1	70173308	1	Driveline Complete
2	70173315	1	Joint and Shaft Half with Guard
3	70171543	1	Yoke Assembly
4	70171544	1	Safety Slide Lock Repair Kit
5	70170776	1	Cross and Bearing Kit
6	70173318	1	Yoke and Shaft
7	70173320	1	Outer Guard
8	70170220	1	Nylon Repair Kit
9	70171550	1	Safety Decal
10	70172990	1	Joint and Tube Half with Guard
11	70172847	1	Inner Guard
12	70170220	1	Nylon Repair Kit
13	70172845	1	Yoke Tube and Slip Sleeve
14	70171799	1	Safety Decal
15	70170776	1	Cross and Bearing Kit
16	70172925	1	Ball Shear Clutch
	70172986	1	Shear Bolt; 1/4" x 2" (grade5)
	70170069	1	Lock Nut; 1/4" (grade 5)
17	70171544	1	Safety Slide Lock Repair Kit

PTO Driveline-3150 & 3160-1000 RPM-20 Spline-1-3/4" Yoke - Square Shaft

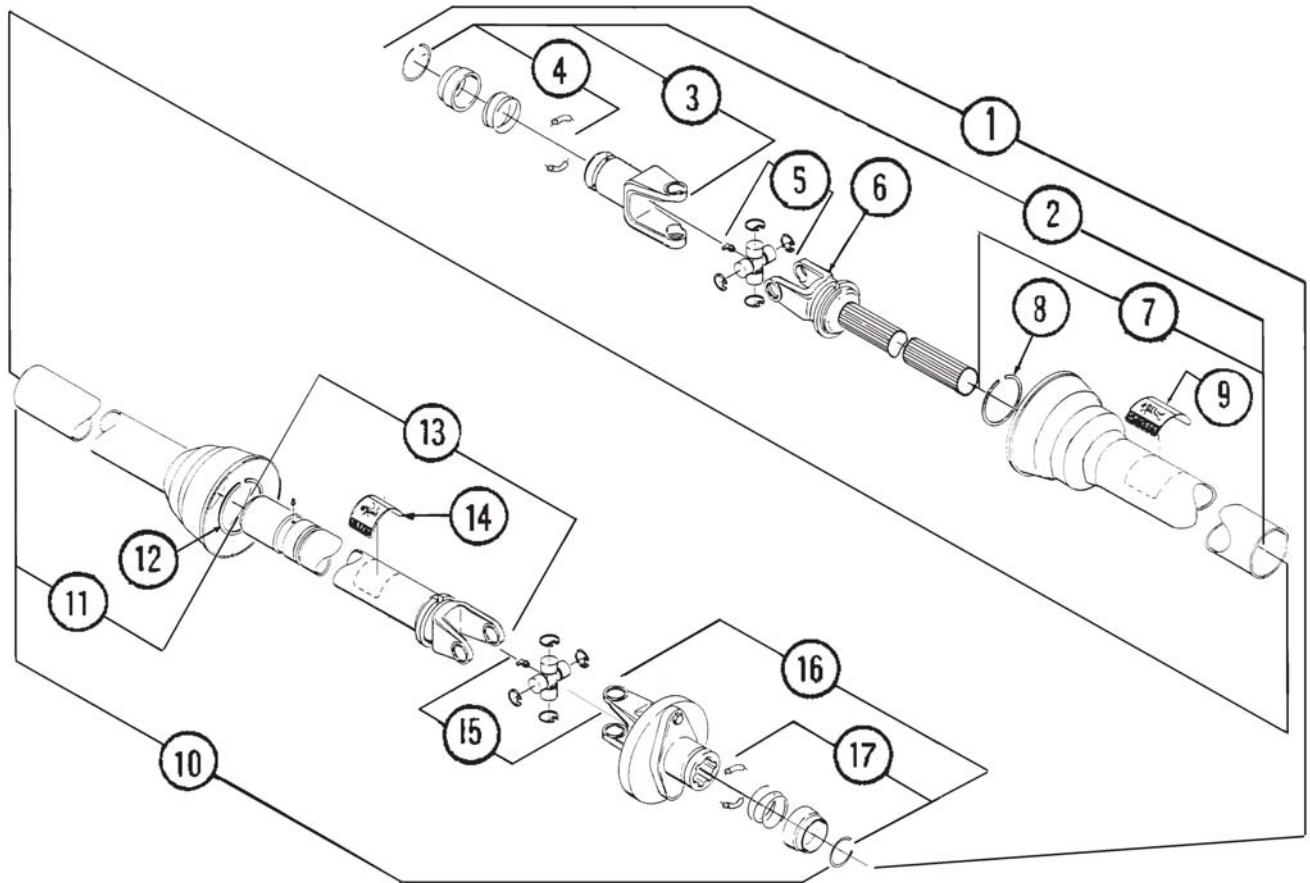


173309

Order these components if the PTO halves are joined with square shafts.

REF	PART NO	QTY	DESCRIPTION
1	70173312	1	Driveline Complete
2	70173317	1	Joint and Shaft Half with Guard
3	70172447	1	Yoke Assembly
4	70172496	1	Safety Slide Lock Repair Kit
5	70170776	1	Cross and Bearing Kit
6	70173319	1	Yoke and Shaft
7	70173321	1	Outer Guard
8	70170220	1	Nylon Repair Kit
9	70171550	1	Safety Decal
10	70172907	1	Joint and Tube Half with Guard
11	70172994	1	Inner Guard
12	70170220	1	Nylon Repair Kit
13	70172993	1	Yoke Tube and Slip Sleeve
14	70171799	1	Safety Decal
15	70170776	1	Cross and Bearing Kit
16	70172925	1	Ball Shear Clutch
	70172986	1	Shear Bolt; 1/4" x 2" (grade5)
	70170069	1	Lock Nut; 1/4" (grade 5)
17	70171544	1	Safety Slide Lock Repair Kit

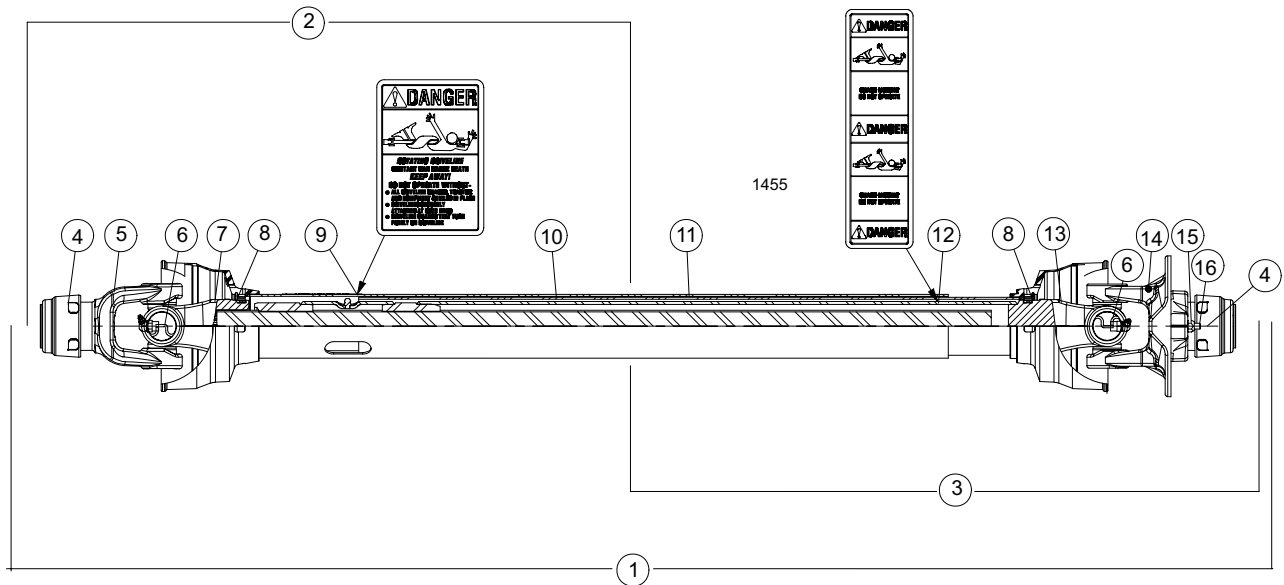
PTO Driveline-3170 Only-1000 RPM-20 Spline-1-3/4" Yoke - Splined Shaft



Order these components if the PTO halves are joined with splined shafts.

REF	PART NO	QTY	DESCRIPTION
1	70174682	1	Driveline Complete
2	70174695	1	Joint and Shaft Half with Guard
3	70172447	1	Yoke Assembly
4	70172496	1	Safety Slide Lock Repair Kit
5	70170776	1	Cross and Bearing Kit
6	70174684	1	Yoke and Shaft
7	70173321	1	Outer Guard
8	70170220	1	Nylon Repair Kit
9	70171550	1	Safety Decal
10	70174696	1	Joint and Tube Half with Guard
11	70172994	1	Inner Guard
12	70170220	1	Nylon Repair Kit
13	70173435	1	Yoke Tube and Slip Sleeve
14	70171799	1	Safety Decal
15	70170776	1	Cross and Bearing Kit
16	70172924	1	Ball Shear Clutch
	70172987	1	Shear Bolt; 5/16"-18 x 2.00"LG (<i>grade5</i>)
	70170028	1	Lock Nut; 5/16"-18 (<i>grade 5</i>)
17	70171544	1	Safety Slide Lock Repair Kit

PTO Driveline-1000 RPM-6 Spline-1-3/8" Yoke



REF	PART NO	QTY	DESCRIPTION
1	70177704	1	PTO, Assy
2	70175694	1	Joint and Shaft Half Assy w/ Guard
3	70175647	1	Joint and Shaft Halt Assy w/ Guard
4	70171544	2	SS, Auto-Lock Repair Kit
5	70171542	1	SAFETY Slide Lock Assy
6	70170776	2	35R Cross and Bearing Kit
7	70174683	1	Yoke and Shaft (1.31- 20 Spline)
8	70170220	2	Guard Repair Kit
9	70171550	1	SAFETY SIGN
10	70173320	1	Outer Guard
11	70172847	1	Inner Guard
12	70171799	1	Safety Sign
13	70173426	1	Yoke, Tube and Slip Sleeve
14	70172925	1	Ball Shear Assy.
15	70170069	1	Locknut, 1/4- 20
16	70172986	1	Bolt, 1/4-20 x 2.00 LG., Gr. 5

Decals

The following decals are listed below for your convenience.
Use the operator's manual for decal location, part number and ordering.

Unit Decals:

PART NO	QTY	DESCRIPTION	PART NO	QTY	DESCRIPTION
70175877	1	Complete Set 3150 B Model S/N	70175799*	17'	Stripe For 3150 B Model S/N
70175878	1	Complete Set 3160 B Model S/N		22'	Stripe For 3160 B Model S/N
70175879	1	Complete Set 3170 B Model S/N		27'	Stripe For 3170 B Model S/N
70170490	1	IMPORTANT - Reduce Engine . . .	70177363	1	KUHN KNIGHT Wave Logo (Left)
70170849	3	WARNING - Stay Clear Of . . .	70177364	1	KUHN KNIGHT Wave Logo (Right)
70170893	1	SMV Symbol	70175800	2	Decal, Kuhn Knight, 15" x 22"
70171712	1	NOTICE - Retighten Set . . .	70177500	1	HAY MAXX System
70174842	1	Door Gauge	70177393	1	"3150" For 3150 B Model S/N
70171820	4	DANGER - Rotating Auger . . .	70177394	1	"3160" For 3160 B Model S/N
70171911	1	NOTICE - Operating Precautions	70177395	1	"3170" For 3170 B Model S/N
70171913	1	WARNING - Do Not Operate . . .	70174686	3	Red Reflector
70171914	2	WARNING - Stay Clear Of . . .	70174687	3	Amber Reflector 3150/3160
70171915	1	DANGER - Shield Missing . . .	70174687	5	Amber Reflector 3170
70171947	4	DANGER - Do Not Hand Load . . .	70175847	1	Feedlot Series B Model S/N
70171948	1	BEWARE - If Mixer . . .	70177536	2	Commercial Reel B Model S/N
70171949	1	"Patent No. . . ."	70177506	2	Roughage Maxx
70172292	1	Mixer Full Line	70175485	3	Red/Orange Fluorescent Strip
70172786	1	DANGER - Rotating . . .	70175851	2	Commercial Reel Stripe B Model S/N
70172820	1	WARNING - Lifting . . .			
70172883	1	Oil Level Plug			
70173040	1	CAUTION PTO Operation. . .			
70173041	1	Shear Bolt Information. . .			
70173078	2	DANGER Shield Missing. . .			

* Sold by the linear foot.

Power Chute and Slide tray Decals:

70171914	2	WARNING - Stay Clear of Chute...
70174687	1	Amber Reflector
70174686	1	Red Reflector

PTO Driveline Decals:

70171550	1	DANGER - Rotating Driveline
70171799	1	DANGER - Shield Missing
70171599	1	Do Not Exceed 540 RPM (540 RPM units only)
70171609	1	Do Not Exceed 1000 RPM (1000 RPM units only)

Paint

70177243	Sandstone Silver - Aerosol Can	70177243	Grey Aerosol Can	70177259	Black Aerosol Can
70177242	Sandstone Silver - Quart Can	70177242	Grey Quart Can	70177258	Black Quart Can
70177241	Sandstone Silver - Gallon Can			70177257	Black Gallon Can

Optional Kits

Safety Chain For Towed Equipment

PART NO	QTY	DESCRIPTION
70172041	1	30,000#, (3150 only)
70173077	1	40,000#, (3160 & 3170)

This chain is designed to retain the connection between the towing and towed machines in the event of separation of the primary attaching system. It should be used whenever the unit is transported on the highway.

Hardware Part Number Listing

All fasteners are NC thread, Grade 5 unless otherwise specified.

HEX HEAD BOLTS

Size	Part No	1/2 x 1-3/4	171-774	3/4 x 7 UNF	173-747
1/4 x 1/2	173-279	1/2 x 2	171-802	3/4 x 7-1/2	175-004
1/4 x 3/4	170-803	1/2 x 2-1/4	172-387	3/4 x 8	173-509
1/4 x 7/8	171-094	1/2 x 2-1/2	170-885	7/8 x 2-1/4	172-892
1/4 x 1	170-310	1/2 x 2-1/2 (Full thread)	171-099	7/8 X 2-1/2	175-633
1/4 x 1-1/2	170-068	1/2 x 2-3/4	172-007	7/8 x 3	172-002
1/4 x 2	172-986	1/2 x 3	170-168	7/8 x 3-1/2	173-020
1/4 x 2 (Grade 8)	175-073	1/2 x 3-1/2	170-167	7/8 x 4	173-299
1/4 x 2-3/4	171-203	1/2 x 3-1/2 (Grade 8)	172-950	7/8 x 4-1/2	175-953
1/4 x 3	171-403	1/2 x 4	173-111	7/8 x 4 UNF	171-092
1/4 x 3-1/2	173-640	1/2 x 4 (Full thread)	171-509	7/8 x 6-1/2	173-774
1/4 x 4	173-505	1/2 x 4-1/2	175-920	7/8 x 7	173-749
5/16 x 5/8	170-532	1/2 x 4-1/2 (Grade 8)	171-573	7/8 x 7 UNF	174-097
5/16 x 3/4	170-262	1/2 x 5	171-412	7/8 x 8	173-750
5/16 x 3/4 (Stainless steel)	174-787	1/2 x 6	173-506	7/8 x 8 UNF	173-515
5/16 x 7/8	170-256	1/2 x 6 (Grade 8)	174-944	1 x 3-1/2	173-021
5/16 x 1	170-027	1/2 x 6-1/2	173-711	1 x 4	175-119
5/16 x 1-1/4 (Full thread)	170-188	1/2 x 7	174-328	1 x 4 (Grade 8)	175-248
5/16 x 1-1/2	170-372	1/2 x 7-1/2	175-107	1 x 7 UNF	173-516
5/16 x 1-3/4	170-263	1/2 x 8-1/2	170-504	1 x 8	174-723
5/16 x 2	172-987	1/2 x 11	170-506	1 x 8 (grade 8) UNF	173-713
5/16 x 2-1/2	170-369	9/16 x 1	173-699	1-1/4 x 4-1/2 (grade 8)	175-003
5/16 x 3	170-295	9/16 x 1-1/4	173-700	M8 x 16MM (Grade 8.8)	174-610
5/16 x 3-1/4	171-639	9/16 x 1-1/2	173-701	M8 x 20MM (Grade 8.8)	175-193
5/16 x 3-1/2	173-748	9/16 x 2	172-219	M8 x 25MM (Grade 8.8)	174-900
5/16 x 4	170-293	5/8 x 1	171-087	M10 x 22MM (Grade 8.8)	175-016
5/16 x 4-1/2	170-294	5/8 x 1-1/4	171-366	M10 x 25MM (Grade 8.8)	173-344
5/16 x 5 (Grade 8)	172-983	5/8 x 1-1/2	170-153	M12 x 25MM (Grade 8.8)	171-566
5/16 x 5-1/2 (Grade 8)	172-952	5/8 x 1-3/4 (Full thread)	170-030	M12 x 35MM (Grade 8.8)	175-020
3/8 x 3/4	170-439	5/8 x 2	170-009	M12 x 40MM (Grade 12.9)	175-190
3/8 x 3/4 (Stainless steel)	174-788	5/8 x 2 (Full thread)	171-772	M12 x 45MM (Grade 10.9)	174-911
3/8 x 7/8	170-268	5/8 x 2-1/4	173-009	M14 x 30MM (Grade 8.8)	173-518
3/8 x 1	170-054	5/8 x 2-1/2	172-381	M16 x 40MM (Grade 8.8)	175-631
3/8 x 1-1/4	170-005	5/8 x 2-1/2 (Full thread)	170-129	M16 x 44MM (Grade 8.8)	175-634
3/8 x 1-1/4 (Stainless steel)	174-917	5/8 x 2-3/4	172-356	SOCKET HEAD CAP SCREW	
3/8 x 1-1/2	170-368	5/8 x 3	170-258	3/8 x 7/8	172-044
3/8 x 1-3/4	172-383	5/8 x 3-1/2	170-038	1/2 x 2	175-232
3/8 x 2	170-245	5/8 x 4	170-371	1/2 x 2-1/2	175-921
3/8 x 2-1/4	170-320	5/8 x 4-1/2	170-067	SELF TAPPING SCREW	
3/8 x 2-1/2	170-257	5/8 x 5	170-065	1/4 x 3/4	174-874
3/8 x 2-1/2 (Full thread)	170-128	5/8 x 5-1/2	172-421	CARRIAGE BOLTS	
3/8 x 2-1/2 (Lag)	171-775	5/8 x 6	170-381	1/4 x 1-1/4 (Grade 2)	170-311
3/8 x 3	170-380	5/8 x 6-1/2	173-777	1/4 x 1-1/2 (Grade 2)	170-355
3/8 x 3-1/2	170-292	5/8 x 7-1/2	173-019	1/4 x 2 (Grade 2)	170-299
3/8 x 4	170-877	5/8 x 9-1/2	171-039	1/4 x 2-1/2 (Grade 2)	171-394
3/8 x 4-1/4 (Black oxide)	171-813	3/4 x 1-1/2	173-507	1/4 x 2-3/4 (Grade 2)	170-508
3/8 x 4-1/2	170-519	3/4 x 2	171-768	1/4 x 3	170-509
3/8 x 5	170-493	3/4 x 2 (Full thread)	170-058	5/16 x 1 (Grade 2)	170-370
3/8 x 5-1/2	174-196	3/4 x 2 (Grade 8)	171-877	5/16 x 1-1/4	175-715
3/8 x 5-1/2 (Full thread)	170-593	3/4 x 2-1/4	171-275	5/16 x 1-1/2 (Grade 2)	170-296
3/8 x 6	174-304	3/4 x 2-1/2	170-374	5/16 x 2-1/2 (Grade 2)	171-395
3/8 x 6-1/2	171-291	3/4 x 2-1/2 (Grade 8)	175-055	5/16 x 5-1/2 (Grade 2)	170-494
3/8 x 7	172-587	3/4 x 3	170-014	3/8 x 1	176-170
7/16 x 3/4	170-265	3/4 x 3 UNF	173-776	3/8 x 1 Short Neck	175-970
7/16 x 1	170-032	3/4 x 3-1/2	170-195	3/8 x 3-1/2 (Grade 2)	171-283
7/16 x 1-1/4	170-354	3/4 x 3-1/2 (Grade 8)	171-899	3/8 x 4-1/2 (Grade 2)	170-191
7/16 x 1-1/4 (Grade 8)	174-216	3/4 x 4	170-419	3/8 x 5 (Grade 2)	170-495
7/16 x 1-1/2	170-059	3/4 x 4 (Grade 8) UNF	173-579	3/8 x 6-1/2 (Grade 2)	171-174
7/16 x 2	170-356	3/4 x 4-1/2	170-846	3/8 x 8 (Grade 2)	170-297
7/16 x 2-1/2	170-379	3/4 x 4-1/2 (Grade 8)	173-039	3/8 x 13 (Grade 2)	170-298
7/16 x 3	170-270	3/4 x 4-1/2 (Grade 8) UNF	173-588	3/8 x 13-1/2 (Grade 2)	170-300
7/16 x 5-1/2	170-377	3/4 x 5	173-508	1/2 x 1-1/2 (Grade 5)	174-918
7/16 x 6	170-378	3/4 x 5 UNF	173-510	1/2 x 3	176-169
1/2 x 3/4	171-252	3/4 x 5-1/2 (Grade 8) UNF	173-514	1/2 x 6-1/2 (Grade 2)	171-098
1/2 x 1	170-149	3/4 x 6	171-116	1/2 x 9 (Grade 2)	171-255
1/2 x 1-1/4	170-373	3/4 x 6 UNF	173-511	5/8 x 2	175-110
1/2 x 1-1/2	170-002	3/4 x 6 (Grade 8)	173-231	5/8 x 2-1/2 (Grade 5)	174-790
1/2 x 1-1/2 (Grade 8)	172-951	3/4 x 6 1/2	176-148		
		3/4 x 7	173-745		

Hardware Part Number Listing

PLOW BOLTS

5/8 x 2	174-767
3/4 x 2-1/2	174-948

TRUSS HEAD BOLTS

#6-32 x 3/4	172-416
#6-32 x 1	173-079
#8-32 x 1-1/2	171-210
#8 x 3/4	174-192
#10-32 x 3/4	171-604
#10-32 x 1	172-882
1/4 x 3/4	170-193
1/4 x 1	170-194
5/16 x 1	170-117
3/8" x 1"	176-700

SET SCREWS (Socket Head)(Cup Point)

1/4 x 1/4	170-247
1/4 x 5/8	172-985
5/16 x 1/4	170-993
5/16 x 5/16	170-248
5/16 x 5/16 UNF	170-825
5/16 x 3/8 UNF	173-367
5/16 x 1/2	170-254
5/16 x 5/8 UNF	170-456
5/16 x 1 (Sq hd)	173-610
5/16 x 1-1/2	172-917
3/8 x 1/4	170-856
3/8 x 3/8	170-151
3/8 x 1/2	170-857
3/8 x 1/2 UNF	171-469
3/8 x 3/4	174-190
3/8 x 3/4 (Sq hd)	170-290
3/8 x 1	170-021
3/8 x 1 (Sq hd)	173-609
3/8 x 1 (Sq hd) (Dog pt)	171-551
7/16 x 7/16	170-288
7/16 x 1 (Sq hd)	170-147
1/2 x 5/8	170-249
1/2 x 1	170-438
1/2 x 1-1/4 (half dog point)	171-085
5/8 x 5/8	170-250
3/4 x 3/4 (Sq hd) (Dog pt)	170-251

HEX NUTS

#6-32	172-418
#10-32	171-606
#8-NC	174-193
1/4	170-125
5/16	170-119
3/8	170-007
7/16	170-062
7/16 (Grade 8) UNF	174-217
1/2	170-004
9/16	173-702
5/8	170-011
3/4	170-017
3/4 UNF	170-159
3/4 (Grade 8) UNF	173-520
7/8	171-776
1	173-022
1 UNF	173-714
1 (Grade 8)	175-247
1 (Grade 8) UNF	173-519
1-1/8 UNF	174-095
1-1/4 UNF	170-130
1-1/4 (Grade 8)	175-006
M8 x 1.25MM	172-949
M30 x 1.5MM	174-902
M50 x 1.5MM	175-200

LOCK NUTS

#6-32	174-188
#10-32	174-073
1/4	170-069
5/16 flange lock	170-028
3/8	170-047
3/8 flange lock	176-246
7/16	170-239
1/2	170-042
1/2 UNF	170-566
1/2 (Grade 8)	171-671
9/16	172-220
5/8	170-031
3/4	170-185
3/4 (Grade 8)	171-900
3/4 (Grade 8) UNF	173-578
7/8	173-069
7/8 UNF	171-093
1	174-928
1 UNF	170-527
M45 x 1.5MM	175-199
M50 x 1.5MM	175-197

JAM NUTS

1/4UNF	171-386
5/16	173-521
3/8	170-022
7/16	170-046
1/2	170-036
1/2 Lock	174-063
5/8	170-037
3/4	170-035
1	174-927

FLAT WASHERS

#10	171-525
1/4	170-301
1/4 Heavy	171-083
1/4 Fender	173-672
5/16	170-127
5/16 Fender	173-811
3/8	170-244
3/8 Heavy	170-302
3/8 Aluminum	173-900
3/8 Belleville	171-393
7/16	170-138
1/2	170-040
1/2 (Grade 8)	172-984
9/16	173-693
5/8	170-066
5/8 (Grade 8)	173-581
3/4	170-015
7/8	173-298
7/8 Heavy	170-131
1	170-122
1-1/4	170-928

LOCK WASHERS

#6	172-417
#10	171-605
#8	174-194
1/4	170-124
5/16	170-118
3/8	170-006
7/16	170-061
1/2	170-003
9/16	173-692
5/8	170-010
3/4	170-016
3/4 External Tooth	174-793
7/8	172-003
1	171-021
1-1/4	175-005

ZERKS

1/8 NPT	170-865
1/8 NPT-45 Deg	170-864
1/8 NPT-65 Deg	170-215
1/8 NPT-90 Deg	170-866
3/16 drive in	174-124
1/4-28	170-023
1/4-28 - 45 Deg	170-148
1/4-28 - 90 Deg	170-049
1/4 NPT	170-277
1/4 NPT - 45 Deg	174-130

COTTER PINS

1/16 x 1/2	170-992
3/32 x 3/4	170-364
1/8 x 1	170-045
1/8 x 1-1/4	170-033
1/8 x 1-1/2	170-382
5/32 x 1	170-421
5/32 x 1-1/2	170-236
5/32 x 3	170-135
3/16 x 1-1/4	170-991
3/16 x 2	170-115
1/4 x 1-1/2	170-521
1/4 x 2	170-056
1/4 x 2-1/2	173-961

ROLLER CHAIN

CONNECTOR LINKS

#50	170-088
#50-2R	170-094
#60	170-089
#60-2R	170-095
#60H	171-102
#80	170-090
#80H	170-821
#80-2R	176-134
#100	170-091
#100H	171-969
#120	170-092
#140	170-093
#140H	173-552
#160	170-888

OFFSET LINKS

#50	170-096
#50-2R	170-102
#60	170-097
#60-2R	170-103
#60H	171-103
#80	170-098
#80H	170-820
#80-2R	176-135
#100	170-099
#100H	172-145
#120	170-100
#140	170-101
#140H	173-553
#160	170-887

ROLLER LINKS

50	171-415
#60	171-416
#80	171-417
#80H	170-795
#100	171-418
#100H	172-146
#120	171-419
#140	171-420
#160	171-421

Part Number Index

172-110 ...30	70103855 ...23	70136031 ...31	70142190 ...13
174-673 ...30	70103918 ...23, 25	70136032 ...31	70142191 ...13
174-674 ...30	70103989 ...21	70136033 ...31	70142192 ...13
174-675 ...30	70103996 ...19	70136034 ...31	70142193 ...13
174-725 ...30	70103997 ...19	70136035 ...31	70142887 ...29
174-775 ...30	70103998 ...21	70136036 ...31	70142959 ...11
176-848 ...30	70103999 ...21	70136037 ...31	70143415 ...25
177-480 ...30	70104000 ...19	70136038 ...31	70143499 ...26
70101227 ...23, 25	70104086 ...13	70136039 ...31	70144851 ...9
70101231 ...23, 25	70104087 ...13	70136065 ...15, 16, 17	70144860 ...5
70101736 ...23, 25	70104088 ...13	70136067 ...9	70170008 ...9
70101819 ...6	70104246 ...26	70136068 ...9	70170028 ...5, 35, 36, 39
70102048 ...21	70104247 ...26	70136076 ...5	70170053 ...5
70102049 ...21	70104250 ...29	70136142 ...23, 25	70170056 ...21
70102065 ...21	70104283 ...11	70136143 ...23, 25	70170069 ...5, 33, 34, 37, 38, 40
70102066 ...21	70104284 ...7	70136254 ...27	70170073 ...27
70102295 ...27	70104290 ...7	70136454 ...5	70170074 ...23, 25, 27, 29
70102307 ...19, 21	70104328 ...29	70136751 ...31	70170075 ...23, 27, 28, 29
70102312 ...12, 13, 14	70104394 ...25	70136752 ...31	70170110 ...23, 25
70102313 ...13, 14	70104395 ...25	70136753 ...31	70170115 ...25, 29
70102315 ...12	70104501 ...12	70136754 ...31	70170118 ...23, 25
70102317 ...15, 16, 17	70104502 ...13, 14	70136755 ...31	70170122 ...23, 25, 26, 27, 29
70102318 ...15, 16, 17	70104784 ...16	70136756 ...31	70170137 ...32
70102319 ...15, 16	70104785 ...16	70136757 ...31	70170142 ...9
70102320 ...15, 17	70105003 ...21	70136758 ...31	70170149 ...9
70102321 ...15, 16, 17	70132701 ...23, 25	70136759 ...31	70170220
70102323 ...9	70133920 ...5	70136760 ...31	...32, 33, 34, 35, 36, 37, 38, 39, 40
70102325 ...19, 21	70133942 ...23, 25	70136921 ...12	70170235 ...23, 26, 27, 28
70102331 ...6	70133943 ...23, 25	70136963 ...27	70170236 ...21
70102336 ...15, 17	70133952 ...23, 25	70136965 ...27	70170244 ...11
70102339 ...15, 16, 17	70133983 ...5	70137132 ...19, 21	70170262 ...23, 25
70102340 ...15, 16	70134086 ...6	70140001 ...23, 25	70170302 ...5, 23, 25
70102346 ...23, 25	70134155 ...6, 7	70140003 ...28	70170445 ...9
70102347 ...23, 25	70134352 ...14	70140009 ...5	70170468 ...26, 27, 28
70102387 ...27	70134389 ...23, 25	70140011 ...5	70170471 ...26, 27, 28
70102437 ...5	70134390 ...23, 25	70140012 ...5	70170490 ...41
70102439 ...5	70134394 ...23, 25	70140014 ...28, 29	70170518 ...6
70102479 ...26	70134395 ...23, 25	70140017 ...27	70170776
70102484 ...26	70134447 ...9	70140522 ...13, 14	...32, 33, 34, 35, 36, 37, 38, 39, 40
70102525 ...27	70134471 ...9	70140529 ...31	70170800 ...6
70103521 ...26	70134602 ...5	70140530 ...31	70170845 ...6
70103522 ...26	70134771 ...26	70140531 ...31	70170849 ...41
70103523 ...26	70134824 ...21	70140532 ...31	70170859 ...23
70103524 ...26	70134843 ...21	70140533 ...15, 16, 17	70170865 ...5, 11, 21, 23, 25
70103526 ...26	70134900 ...5	70140534 ...15, 16, 17	70170893 ...41
70103534 ...16	70135697 ...9	70140535 ...5	70170920 ...19, 21
70103535 ...15, 16	70135883 ...5	70140538 ...13, 14	70170921 ...21
70103536 ...15, 16, 17	70135918 ...19	70140758 ...11	70170922 ...21
70103537 ...15, 16, 17	70135936 ...5	70140777 ...14	70170926 ...21
70103538 ...15, 16, 17	70135946 ...9	70140779 ...14	70170927 ...21
70103540 ...12	70135949 ...5	70140782 ...14	70170928 ...21
70103542 ...12, 13, 14	70135958 ...15, 16, 17	70140804 ...12	70171030 ...23, 26, 27, 28
70103644 ...23	70135959 ...15, 16, 17	70140805 ...12	70171045 ...6
70103711 ...19	70135960 ...15, 16, 17	70140813 ...27	70171136 ...23
70103717 ...6	70135961 ...19, 21	70140816 ...11	70171151 ...23
70103718 ...11	70135968 ...15, 16, 17	70140822 ...11	70171178 ...23, 25
70103719 ...11	70135971 ...12	70140831 ...5	70171186 ...23, 25
70103720 ...14	70135972 ...13, 14	70140847 ...5	70171257 ...23, 25
70103724 ...17	70135976 ...13, 14	70140848 ...19, 21	70171259 ...23, 25
70103725 ...12	70135982 ...15, 16, 17	70140853 ...14	70171260 ...23, 25
70103728 ...27	70135985 ...9	70140854 ...14	70171265 ...23, 25
70103740 ...14	70135992 ...9	70140855 ...14	70171330 ...23
70103741 ...12	70135993 ...9	70140857 ...12	70171346 ...23, 25, 28, 29
70103742 ...14	70135994 ...9	70140858 ...12	70171387 ...5
70103743 ...12	70135996 ...9	70140897 ...23, 25	70171414 ...23, 25
70103744 ...17	70135997 ...9	70140933 ...23, 25	70171427 ...23
70103745 ...17	70136000 ...9	70140937 ...23, 25	70171462 ...23
70103751 ...28	70136001 ...9	70140938 ...23, 25	70171542 ...32, 36, 40
70103752 ...5	70136002 ...9	70140939 ...19, 21	70171543 ...33, 35, 37
70103753 ...15, 17	70136003 ...9	70140942 ...9	70171544
70103754 ...21	70136004 ...9	70141608 ...23, 25	...32, 33, 34, 35, 36, 37, 38, 39, 40
70103756 ...23, 25	70136005 ...9	70142188 ...13	70171550
70103854 ...23, 25	70136030 ...31	70142189 ...13	...32, 33, 34, 35, 36, 37, 38, 39, 40, 41

Part Number Index

70171561 ...25	70173005 ...19	70175336 ...19, 21
70171576 ...23, 25	70173006 ...19	70175387 ...11
70171599 ...41	70173007 ...19	70175485 ...41
70171607 ...9	70173012 ...6, 7	70175536 ...23, 26, 27, 28
70171609 ...41	70173013 ...6, 7	70175597 ...33
70171610 ...19, 21	70173014 ...6, 7	70175598 ...32
70171612 ...19, 21	70173015 ...6, 7	70175599 ...34
70171613 ...19, 21	70173019 ...19, 21	70175647 ...33, 40
70171615 ...19, 21	70173021 ...23, 25	70175648 ...34
70171643 ...9	70173027 ...11	70175649 ...32
70171666 ...23, 25	70173031 ...19	70175650 ...34
70171668 ...23	70173032 ...19	70175673 ...26, 27, 29
70171695 ...9	70173034 ...19, 21	70175675 ...26, 27, 29
70171712 ...41	70173040 ...41	70175685 ...25
70171723 ...26	70173041 ...41	70175686 ...29
70171782 ...23	70173065 ...5	70175687 ...25, 26, 27, 29
70171799	70173077 ...41	70175694 ...40
...32, 33, 34, 35, 36, 37, 38, 39, 40, 41	70173078 ...41	70175699 ...25
70171820 ...41	70173220 ...23	70175700 ...25
70171883 ...23, 25	70173270 ...28	70175702 ...25
70171911 ...41	70173273 ...26, 27	70175709 ...25
70171913 ...41	70173274 ...23, 27, 28, 29	70175711 ...25
70171914 ...41	70173284 ...5	70175726 ...26, 27
70171915 ...41	70173308 ...37	70175781 ...13
70171919 ...9	70173309 ...36	70175782 ...41
70171920 ...15, 16, 17	70173312 ...38	70175826 ...41
70171932 ...23, 25	70173315 ...37	70175827 ...41
70171935 ...11	70173316 ...36	70175828 ...41
70171947 ...41	70173317 ...38	70175844 ...41
70171948 ...41	70173318 ...36, 37	70175847 ...41
70171949 ...41	70173319 ...38	70175851 ...41
70172005 ...6	70173320	70175877 ...41
70172024 ...11	...32, 33, 35, 36, 37, 40	70175878 ...41
70172041 ...41	70173321 ...34, 38, 39	70175879 ...41
70172275 ...23, 27, 28	70173426 ...32, 33, 35, 40	70175906 ...26, 27, 29
70172288 ...5	70173435 ...34, 39	70175907 ...26, 27, 29
70172289 ...9	70173533 ...11	70175916 ...25
70172292 ...41	70173857 ...7	70175917 ...25
70172312 ...19	70174064 ...13	70175918 ...25
70172313 ...19	70174065 ...13	70176400 ...7
70172360 ...21	70174093 ...13	70176629 ...21
70172361 ...21	70174309 ...7	70176936 ...21
70172362 ...21	70174556 ...41	70177241 ...41
70172396 ...21	70174558 ...12, 26	70177242 ...41
70172442 ...26	70174577 ...19, 21	70177243 ...41
70172447 ...34, 38, 39	70174672 ...15, 16, 17	70177257 ...41
70172496 ...34, 38, 39	70174676 ...19, 21	70177258 ...41
70172751 ...6, 7	70174681 ...35	70177259 ...41
70172786 ...41	70174682 ...39	70177363 ...41
70172820 ...41	70174683 ...32, 33, 35, 40	70177364 ...41
70172822 ...11	70174684 ...34, 39	70177704 ...40
70172823 ...11	70174686 ...41	70180630 ...11
70172845 ...36, 37	70174687 ...41	70181036 ...11
70172847 ...32, 33, 35, 36, 37, 40	70174689 ...33, 35	70181040 ...28, 29
70172864 ...6, 7	70174690 ...32, 35	
70172883 ...41	70174695 ...39	
70172884 ...9	70174696 ...39	
70172907 ...38	70174784 ...19, 21	
70172924 ...32, 35, 36, 39	70174795 ...5	
70172925 ...33, 34, 37, 38, 40	70174838 ...19, 21	
70172986 ...5, 33, 34, 37, 38, 40	70174839 ...19, 21	
70172987 ...5, 32, 35, 36, 39	70174840 ...19, 21	
70172989 ...36	70174842 ...27, 41	
70172990 ...37	70174927 ...23, 25	
70172993 ...38	70174928 ...23, 25	
70172994 ...34, 38, 39	70175256 ...19, 21	
70172998 ...5	70175269 ...19, 21	
70172999 ...19	70175331 ...19, 21	
70173001 ...19	70175332 ...19, 21	
70173002 ...19	70175333 ...19, 21	
70173003 ...19	70175334 ...19, 21	
70173004 ...19	70175335 ...19, 21	