

**Reel Auggie 2375/2450 Tow Type**

**DEALER  
SERVICE PARTS LISTING**



**TABLE OF CONTENTS**

Using This Listing.....1  
Front End Parts.....2-5  
Rear End Parts.....6-7  
Reel & Auger Parts - 2375.....8-9  
Reel & Auger Parts - 2450.....10-11  
Door Parts.....12  
Slide Tray.....13  
Power Chute.....14-15  
Selector Valve - Slide Tray.....16  
Diverter Valve - Power Chute.....17  
Eaton Scale Parts.....18-19  
J-Star Scale Parts.....20  
Weigh-Tronix Scale Parts.....21  
Undercarriage.....22-23  
PTO Driveline & Friction Clutch.....24-25  
Hay-Max Kit Parts.....26-27  
Jackstand.....28  
Repair Liner Parts.....29  
Decal & Paint List.....30  
Optional Kits.....31  
Flighting Terms & Dimensions.....32  
Universal Joint Repair.....33  
Hardware Listing.....34-35

ABBREVIATIONS

RA2375/2450-TOW R081790

Assy	Assembly
A/R	As Required
B	Bolt
Brg	Bearing
BSN	Before Serial Number
BTM	Bottom
C Bolt	Carriage Bolt
Cttr	Cotter
CV	Constant Velocity (Joint)
Dia	Diameter
ea	Each
Eq or Equiv	Equivalent
FLN	Flanged Lock Nut
FW	Flat Washer
Ga	Gauge
Gr or Grd	Grade
Hd	Head
Hyd	Hydraulic
ID	Inside Diameter
Ill or Illus	Illustration
Ind	Indicator
KW	Keyway
LH	Left Hand
LW	Lock Washer
Mtg Hrd	Mounting Hardware
NC	National Coarse
NF	National Fine
OD	Outside Diameter
Pc(s)	Piece(s)
PD	Pitch Diameter
PTO	Power Takeoff (Shaft)
Q or Qty	Quantity
Reg Mach	Regular Machine
RH	Right hand
SN	Serial Number
Sprkt	Sprocket
Sq	Square
Std	Standard
UASN	Used After Serial Number
UBSN	Used Before Serial Number

USING THIS SERVICE PARTS LISTING

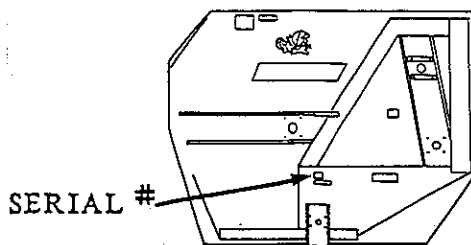
RA2375/2450-TOW R081790

This listing uses a number indentation system to specify the parts of an assembly. Any number which is indented to the right, indicates that it is a component of the item to the upper left. Example:

<u>Part no</u>	<u>Description</u>	<u>Qty</u>
uuu-uuu	Assembly A	2
vvv-vvv	Sub-Assembly B (Component of A)	3
www-www	Component of B	5
xxx-xxx	Another Com- ponent of B	1
yyy-yyy	Sub-Assembly C (Component of A)	1
etc.		

Using this system, the sub-assemblies and their components are included if an Assembly is ordered. Similarly, the components of a sub-assembly are included if a sub-assembly is ordered.

The quantity (qty) associated with an assembly, represents the number of times an assembly could be shown in the drawing. The sub-assembly quantity however, is the number of times a sub-assembly is used to build one assembly. Similarly, the component quantity refers to the number of times a given component is found in one sub-assembly.



Serial Number Location  
Front View  
Figure A

MODEL AND SERIAL NUMBER INFORMATION is located below the drive shielding (Fig. A). The model number, serial number and part number should be known when asking service personnel for parts.

If you cannot find the part you need, be as descriptive as possible when placing an order:

**Sprockets:** give the bore size, number of teeth, and number and size of keyways.

**Roller chain:** give the size of chain (stamped on the side of each link) and number of links.

**Shafting:** give the diameter, length, and number and size of keyways.

Hardware is generally not included with parts. If you need any hardware, check the size, the length, and the grade (Fig. B), then check the hardware list in this manual for the part numbers. All hex head bolts up to and including 7/16" diameter are grade 5, and nuts are grade B unless otherwise stated.

The hardware listing also includes listings for zerks, cotter pins, set screws, and roller chain links.

The illustrations in this manual are meant to be used only as a guide for identifying parts and locating their relative positions.

**Bolt Grades**

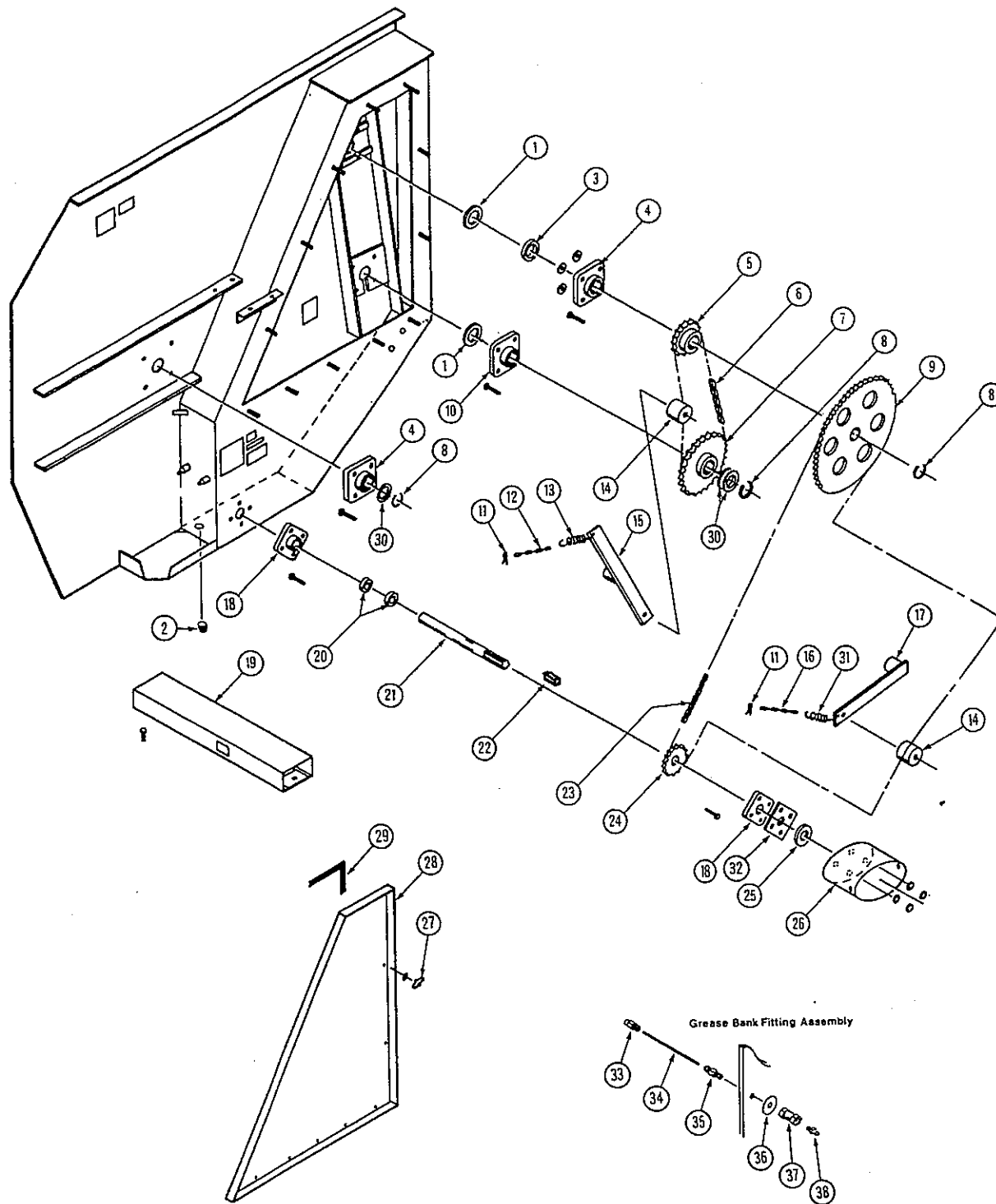


Bolt Head Grade Markings  
Figure B

A \* following a part number (XXX-XXX\*) indicates that the part is no longer used in production for this application. Superscript letters (XXX-XXX<sup>A</sup>) refer to footnotes and/or illustration boxes.

**FRONT END PARTS**

RA2375/2450-TOW R081790



KNIGHT MANUFACTURING CORP. PO BOX 167 BRODHEAD, WI 53520  
OFFICE: (608) 897-2131 PARTS/SERVICE: (608) 897-2125 FAX: (608) 897-2561

FRONT END PARTS

RA2375/2450-TOW DR050593

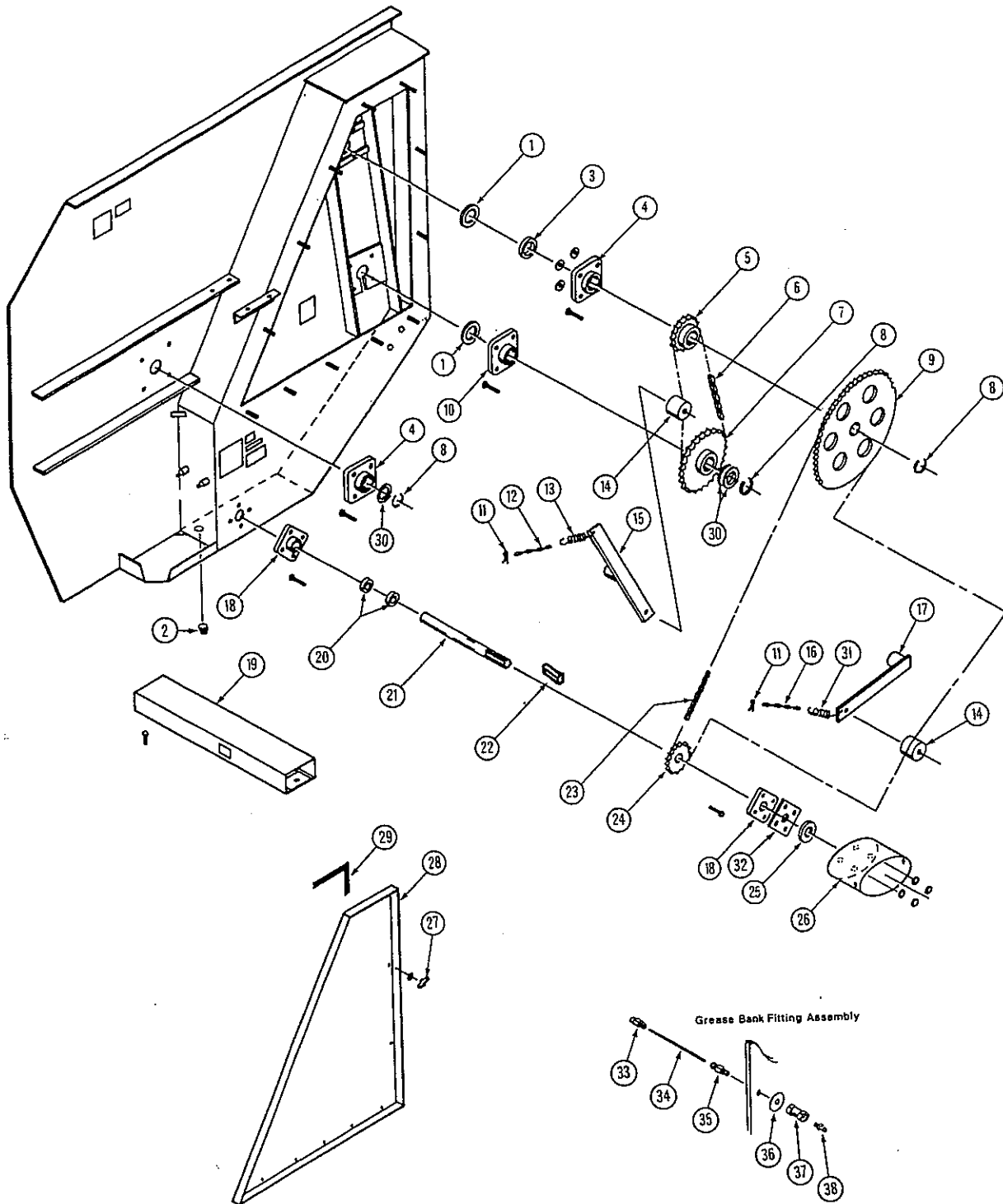
REF	PART NO	QTY	DESCRIPTION
1	133-277	2	Seal; 2-1/2" ID x 3-1/2" OD
2	171-919	1	Drain Plug; 1-1/4", PVC
3	134-125	1	Pipe; Seal Spacer, 2-1/2" Dia x 1/2" Long
4	170-053	2	Bearing; 2-1/2", FYH UCF X13-40E L-III, Mtg Hrd: Reel: 5/8" x 2" Bolt, LW & Nut (4 ea) Top Auger: 5/8" x 2-1/2" B, FW, LW & Nut (4 ea)
5	134-021	1	Sprocket; 100-B-15, 2-1/2" Splined Hub
6	171-987	1	Roller Chain; 100-1-62 Pitch, W/Connector Link
7	134-022	1	Sprocket; 100-B-30, 2-1/2" Splined Hub
8	170-152	3	Snap Ring; 2-1/2", Truarc 5100-250 Or Equiv
9	134-019	1	Sprocket; 80-B-60, 2-1/2" Splined Hub (540 RPM)
9	134-020	1	Sprocket; 80-B-85, 2-1/2" Splined Hub (1000 RPM)
10	170-365	1	Bearing; 2-1/2", PTC F-B22440E Or Equiv Mtg Hrd: 5/8" x 2" Bolt, LW & Nut (4 ea)
11	170-800	2	Clinch Pin
12	170-845	1	Chain; #4 Machine x 17 Links
13	172-006	1	Spring; 4-5/8" Long
14	134-155	2	Chain Tightener Block Mtg Hrd: 1/2" x 2-3/4" Bolt, LW, FW & Nut
15	101-818	1	Chain Tightener Arm
16	170-518	1	Chain; #4 Machine x 30 Links
17	101-817	1	Chain Tightener Arm
18	171-585	2	Bearing; 1-3/8", Eccentric Lock Mtg Hrd: 1/2" x 1-3/4" Bolt, LW & Nut (3 & 4 ea)
19	101-337	1	Hose Holder Assembly Mtg Hrd: 3/8" x 1" Bolt, LW & Nut (4 ea)
20	172-193	2	Locking Collar; 1-3/8"
21	134-362	1	Input Shaft; 1-3/8" x 12-5/8" Long
	300-016*	1	Input Shaft Kit; Replaces Shafts W/Snap Rings UBSN 2375-182 & 2450-195
	134-108*	1	Input Shaft; 12-1/4" Long, UBSN 2375-182 & 2450-195
	172-193	2	Locking Collar; 1-3/8"
	171-409	1	Key; 3/8" x 1-1/4" Long
22	171-409 <sup>A</sup>	1	Key; 3/8" x 1-1/4" Long

A: Before Serial Number 2375-319, 2450-465 use woodruff key 170-170 3/8" x 1-1/4"

An asterisk (\*) at the end of a part number (XXX-XXX\*) indicates that the part is no longer used in production for this application. Superscript letters (XXX-XXX<sup>A</sup>) refer to footnotes and/or illustration boxes.

**FRONT END PARTS**

RA2375/2450-TOW R081790



KNIGHT MANUFACTURING CORP. PO BOX 167 BRODHEAD, WI 53520  
OFFICE: (608) 897-2131 PARTS/SERVICE: (608) 897-2125 FAX: (608) 897-2561

FRONT END PARTS

RA2375/2450-TOW DR111391

REF	PART NO	QTY	DESCRIPTION
23	172-403 <sup>C</sup>	1	Roller Chain; 80-1-154 Pitch, W/C Link (540 RPM)
23	171-986	1	Roller Chain; 80-1-168 Pitch, W/C Link (1000 RPM)
24	131-894 <sup>C</sup>	1	Sprocket; 80-B-12, 1-3/8" Bore, 3/8" KW
25	133-546	1	Seal; 1-3/8" ID x 2-1/2" OD
26	171-972	1	Safety Shield; PTO Input
27	171-929	12	Wing Nut; 3/8"
28	134-117	1	Safety Shield; Mtg Hrd: 171-929 Wing Nut & FW (12)
29	171-935	15'	Gasket; Front Shield
30	171-968	A/R	Spacer Shim; 10 Ga, 2-1/2" ID x 3-1/2" OD
30	172-046	A/R	Spacer Shim; 14 Ga, 2-1/2" ID x 3-1/2" OD
31	172-005	1	Spring; 6" Long
32	134-366 <sup>B</sup>	1	Bearing Spacer
33	171-299 <sup>A</sup>	A/R	Compression Fitting; 1/8" NPT, Male
33	172-025 <sup>A</sup>	A/R	Compression Fitting; 1/4" Straight Thread, Male
34	172-027	4	Nylong Tube; 1/8" OD (Requires Trimming)
35	171-299	4	Compression Fitting; 1/8" NPT, Male
36	170-244	4	3/8" Flat Washer
37	172-024	4	Pipe Coupling; 1/8" NPT
38	170-865	4	Zerk Fitting; 1/8" NPT

A: Check bearing threads carefully. Note: The dia. of 1/4" Straight Thread is smaller than 1/8" NPT.

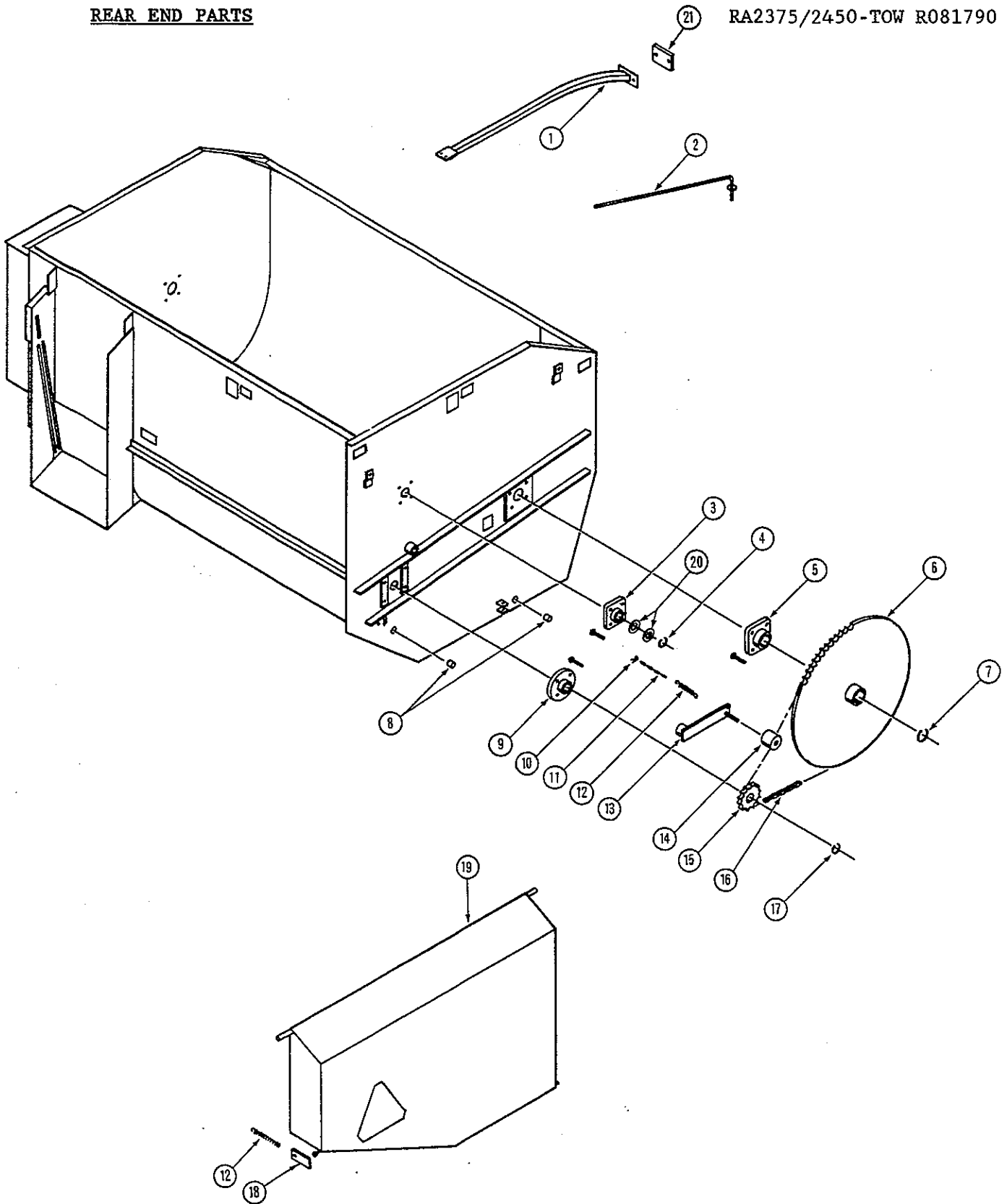
B: This spacer is not used on units with spacer bars welded to the front panel (BSN 2375-182 & 2450-195).

C: The 12-tooth sprocket replaces the 15-tooth sprocket used before 11-91. 1/2 link should be removed from chain if 12-tooth is substituted for 15-tooth sprocket on machines built before 11-91.

A \* following a part number (XXX-XXX\*) indicates that the part is no longer used in production for this application. Superscript letters (XXX-XXX<sup>A</sup>) refer to footnotes and/or illustration boxes.

REAR END PARTS

RA2375/2450-TOW R081790



KNIGHT MANUFACTURING CORP. PO BOX 167 BRODHEAD, WI 53520  
OFFICE: (608) 897-2131 PARTS/SERVICE: (608) 897-2125 FAX: (608) 897-2561

REAR END PARTS

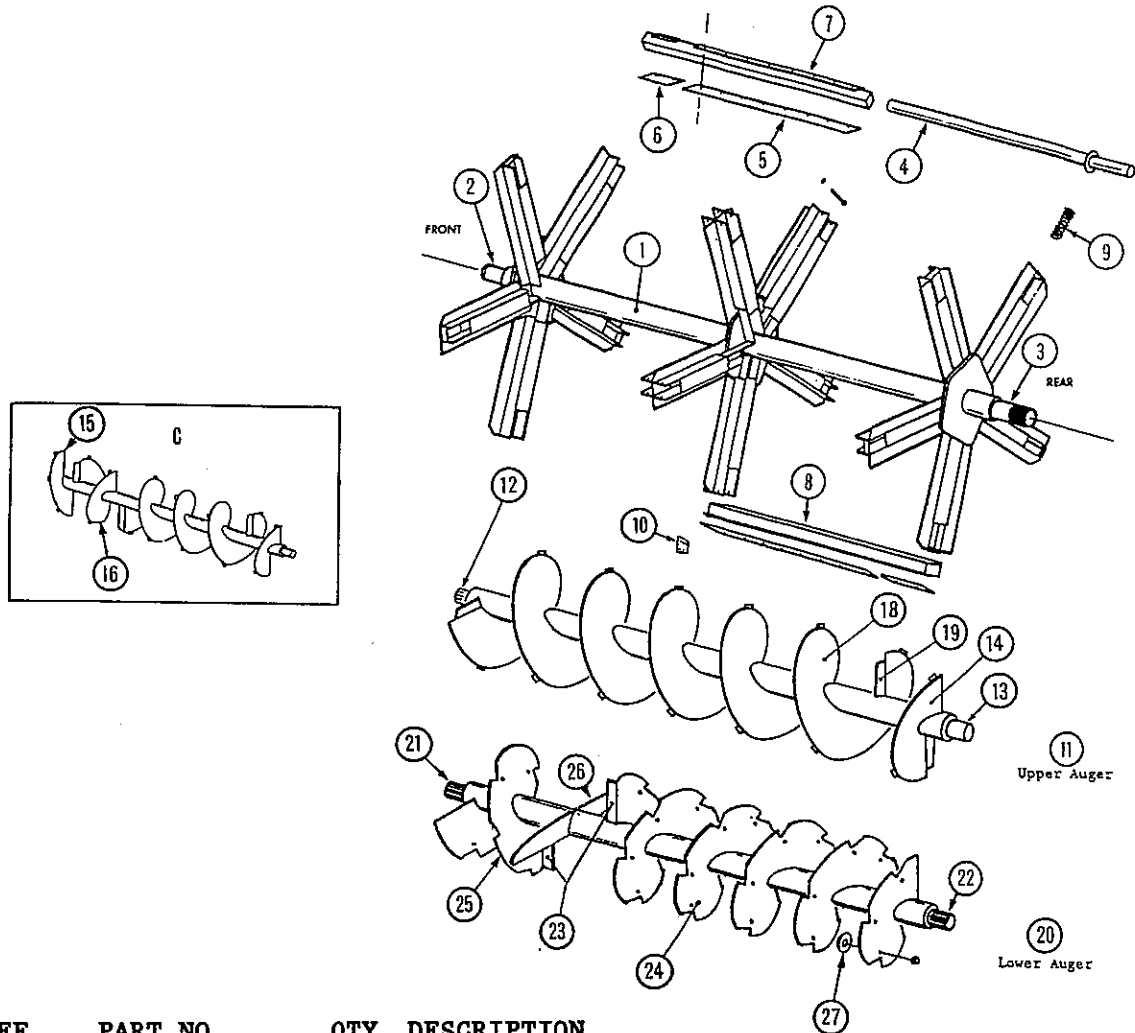
RA2375/2450-TOW DR030993

REF	PART NO	QTY	DESCRIPTION
1	102-008	2	Bucket Guard; 95-3/4" Long
1	101-814 <sup>A</sup>	2	Bucket Guard; 89-3/4" Long Mtg Hrd: 3/8" x 1-1/4" Bolt, LW & Nut (3 ea)
2	101-787	1	Prop Rod Assembly
3	170-008	1	Bearing; 2", FYH UCF X10-32E L-III Or Equiv Mtg Hrd: 5/8" x 1-3/4" Bolt, LW & Nut (4 ea)
4	170-142	1	Snap Ring; 2", Truarc 5100-200 Or Equiv
5	171-990	1	Bearing; 4", F-B22464E Or Equiv Mtg Hrd: 7/8" x 3" Bolt, LW & Nut (4 ea)
6	134-024	1	Sprocket; 120-B-92, 4" Splined Hub
7	171-989	1	Snap Ring; 4", Truarc 5100-400 Or Equiv
8	171-919	2	Drain Plug; 1-1/4", PVC
9	170-365	1	Bearing; 2-1/2", F-B22440E Or Equiv Mtg Hrd: 5/8" x 2-1/2" Bolt, LW & Nut
10	170-800	1	Clinch Pin
11	170-845	1	Machine Chain; #4 x 17 Link
12	172-005	3	Spring; 6"
13	101-761	1	Chain Tightener Arm
14	134-086	1	Tightener Block Mtg Hrd: 1/2" x 4" Bolt, FW, LW & Nut
15	134-023	1	Sprocket; 120-B-12, 2-1/2" Splined Hub
16	171-988	1	Roller Chain; 120-1-118 Pitch, W/Connector Link
17	170-152	1	Snap Ring; 2-1/2", Truarc 5100-250 Or Equiv
18	133-552	2	Spring Handle
19	101-786	1	Rear Shield Assembly Mtg Hrd: 3/8" x 1" Bolt, LW & Nut (2 ea)
20	171-048	A/R	Machine Bushing; 2" ID x 3" OD x .062" Thick
20	171-049	A/R	Machine Bushing; 2" ID x 3" OD x .127" Thick
21	134-012	2	Bucket Guard Mount

A: Unit side panel has been designed requiring longer bucket guards. On units before Serial# 2375-319, 2450-465, use 101-814 bucket guards.

An asterisk (\*) at the end of a part number (XXX-XXX\*) indicates that the part is no longer used in production for this application. Superscript letters (XXX-XXX<sup>A</sup>) refer to footnotes and/or illustration boxes.

**Model RA2375 Only**



REF	PART NO	QTY	DESCRIPTION
1	101-764	1	Reel Weldment
2	101-766	1	Front Plug Assembly
3	101-767	1	Rear Plug Assembly
4	101-763	8	Reel Cross Pipe; 2-7/8" OD, 52" Long Mtg Hrd: 3/8" x 4-1/2" Bolt & LN (1 ea)
5	134-124	2	Plastic Wiper Blade; 43-3/8" Long Mtg Hrd: 1/4" x 7/8" Bolt, LW, FW & Nut (8 ea)
6	134-123	2	Plastic Wiper Blade; 8-1/2" Long Mtg Hrd: 1/4" x 7/8" Bolt, LW, FW & Nut (2 ea)
7	101-802	1	Front Cross Tube Wiper Assembly Mtg Hrd: 3/8" x 4-1/2" Bolt & LN
8	101-803	1	Rear Cross Tube Wiper Assembly Mtg Hrd: 3/8" x 4-1/2" Bolt & LN
9	171-920	20	Spring; Reel Cross Pipe Compression

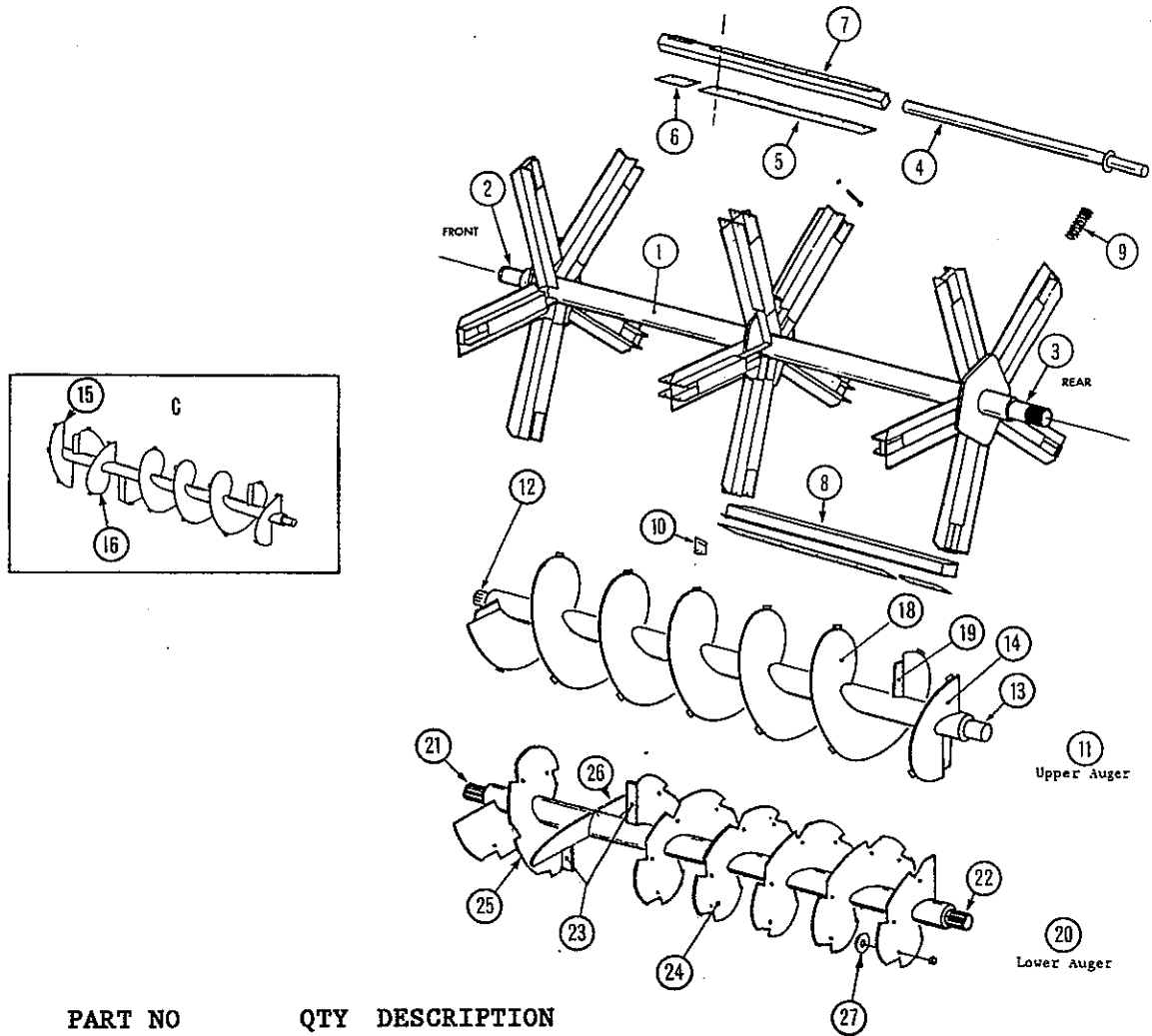
KNIGHT MANUFACTURING CORP. PO BOX 167 BRODHEAD, WI 53520  
 OFFICE: (608) 897-2131 PARTS/SERVICE: (608) 897-2125 FAX: (608) 897-2561

**Model RA2375 Only**

REF	PART NO	QTY	DESCRIPTION
10	133-835 <sup>D</sup>	23	Upper Auger Knife (Qty May Vary) Mtg Hrd: 1/4" x 3/4" Bolt, LW & Nut
11	102-011	1	Upper Auger Assembly
	101-778 <sup>E</sup>	1	Upper Auger Assembly
12	101-780	1	Front Plug Assembly
13	101-781	1	Rear Plug Assembly
14	134-097	1	Flight; 1/4" - 4" - 18" - 16" x 7" LH
15	134-098* <sup>C</sup>	1	Flight; 1/4" - 4" - 18" - 16" x 7" RH, UBSN 2375-263
16	134-099* <sup>C</sup>	1	Flight; 1/4" - 4" - 18" - 16" x 14" LH, UBSN 2375-263
18	134-730	10	Flight; 3/8" - 4" - 18" - 10" RH
	134-159* <sup>E</sup>	6	Flight; 1/4" - 4" - 18" - 16" RH (5 UBSN 2375-263)
19	134-757	4	Flight Support Bar
	134-367* <sup>F</sup>	4	Flighting Support Bar (Not UBSN 2375-182, 8 UBSN 2375-263)
20	101-774	1	Lower Auger Assembly
21	101-776	1	Front Plug Assembly
22	101-777	1	Rear Plug Assembly
23	134-368 <sup>A</sup>	2	Gusset
24	134-095	5	Flight; 3/8" - 4-1/2" - 20" - 20" LH Actual Requirements: 4-1/2 Pcs
25	134-096	1	Flight; 3/8" - 4-1/2" - 20" - 20" RH
26	134-500 <sup>B</sup>	2	Paddle
27	134-352	14	Lower Auger Knife; UASN 2375-182 (Qty May Vary) Mtg Hrd: 3/8" x 1" Bolt, LW & Nut

- A: Triangular braces were UBSN 2375-182. To reduce power requirements, these braces may be trimmed perpendicular to the auger axis, leaving 2-1/2" adjacent to the flighting.
- B: UASN 2375-265. Field installation kit #300-024 provides paddles for older units.
- C: The Upper Auger may be updated to the current design by replacing 134-098 & 134-099 with one piece of 134-159.
- D: Current auger design requires more auger knives than previous design. Units before Serial# 2375-319, 21 knives are required.
- E: Upper auger flighting has changed to a single full flight design. For units before Serial# 2375-319, repair upper auger (101-778) by using previous design parts as listed. Upper auger may be repaired to current (102-011) design by using: 10 ea. (134-370), 1 ea. (134-097) & 4 ea. (134-757).
- F: 134-367 flighting support bar is used on augers between Serial# 2375-263 to 319, 134-757 flighting support bar is used with 134-730 flighting only.

**Model RA2450 Only**



REF	PART NO	QTY	DESCRIPTION
1	101-765	1	Reel Weldment
2	101-766	1	Front Plug Assembly
3	101-767	1	Rear Plug Assembly
4	101-815	8	Reel Cross Pipe; 2-7/8" OD, 64" Long Mtg Hrd: 3/8" x 4-1/2" Bolt & LN (1 ea)
5	134-112	2	Plastic Wiper Blade; 55-3/8" Long Mtg Hrd: 1/4" x 7/8" Bolt, LW, FW & Nut (10 ea)
6	134-123	2	Plastic Wiper Blade; 8-1/2" Long Mtg Hrd: 1/4" x 7/8" Bolt, LW, FW & Nut (2 ea)
7	101-804	1	Front Cross Tube Wiper Assembly Mtg Hrd: 3/8" x 4-1/2" Bolt & LN (1 ea)
8	101-784	1	Rear Cross Tube Wiper Assembly Mtg Hrd: 3/8" x 4-1/2" Bolt & LN (1 ea)
9	171-920	20	Spring; Reel Cross Pipe Compression

KNIGHT MANUFACTURING CORP. PO BOX 167 BRODHEAD, WI 53520  
 OFFICE: (608) 897-2131 PARTS/SERVICE: (608) 897-2125 FAX: (608) 897-2561

**Model RA2450 Only**

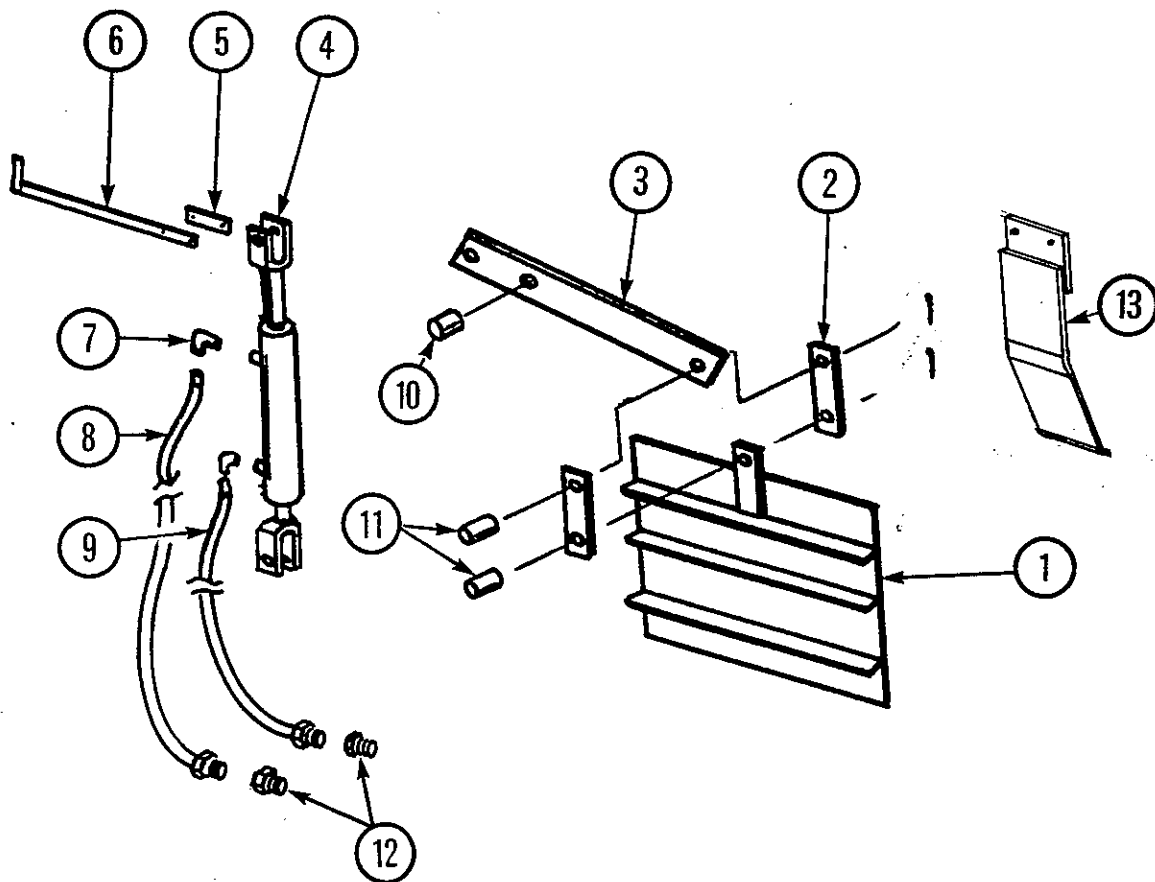
REF	PART NO	QTY	DESCRIPTION
10	133-835 <sup>D</sup>	31	Upper Auger Knife (Qty May Vary) Mtg Hrd: 1/4" x 3/4" Bolt, LW & Nut
11	102-012	1	Upper Auger Assembly
	101-779 <sup>E</sup>	1	Upper Auger Assembly
12	101-782	1	Front Plug Assembly
13	101-783	1	Rear Plug Assembly
14	134-097	1	Flight; 1/4" - 4" - 18" - 16" x 7" LH
15	134-098* <sup>C</sup>	1	Flight; 1/4" - 4" - 18" - 16" x 7" RH, UBSN 2450-343
16	134-099* <sup>C</sup>	1	Flight; 1/4" - 4" - 18" - 16" x 14" LH, UBSN 2450-343
18	134-730	13	Flight; 3/8" - 4" - 18" - 10" RH
	134-159* <sup>E</sup>	7	Flight; 1/4" - 4" - 18" - 16" RH (6 UBSN 2450-343)
19	134-757	4	Flighting Support Bar
	134-367 <sup>F</sup>	4	Flighting Support Bar (Not UBSN 2450-195, 8 UBSN 2450-343)
20	101-775	1	Lower Auger Assembly
21	101-776	1	Front Plug Assembly
22	101-777	1	Rear Plug Assembly
23	134-368 <sup>A</sup>	2	Gusset
24	134-095	6	Flight; 3/8" - 4-1/2" - 20" - 20" LH Actual Requirements: 5-1/2 Pcs
25	134-096	1	Flight; 3/8" - 4-1/2" - 20" - 20" RH
26	134-500 <sup>B</sup>	2	Paddle
27	134-352	18	Lower Auger Knife; UASN 2450-195 (Qty May Vary) Mtg Hrd: 3/8" x 1" Bolt, LW & Nut

- A: Triangular braces were UBSN 2450-195. To reduce power requirements, these braces may be trimmed perpendicular to the auger axis, leaving 2-1/2" adjacent to the flighting.
- B: UASN 2450-330. Field installation kit #300-024 provides paddles for older units.
- C: The upper auger may be updated to the current design by replacing 134-098 & 134-099 with one piece of 134-159.
- D: Current upper auger design requires larger knife quantity. Before Serial# 2450-465, 25 knives are required.
- E: Upper auger flighting has changed to a single full flight design. For units before Serial# 2450-465, repair upper auger (101-779) using previous design parts as listed above. Upper auger may be repaired to current (102-012) design by using: 13 ea. (134-780), 1 ea. (134-097) & 4 ea. (134-757).
- F: 134-367 flighting support bar is used on augers between Serial# 2450-330 to 465. 134-757 flighting support bar is used on 134-730 flighting only.

DOOR PARTS

RA2375/2450-TOW DR082791

REF	PART NO	QTY	DESCRIPTION
1	101-722	1	Door Assembly
2	133-445	2	Door Linkage Bar; 3/8" x 2" x 8"
3	133-924	1	Door Pivot Bar; 5/8" x 4" x 31"
4	170-941	1	Hyd Cylinder; 2" Dia x 8" Stroke Seal Kit; Order #170-075
5	133-978	1	Door Gauge Mount; 1/8" x 5/8" x 3-1/4"
6	133-977	1	Door Gauge; 1/8" x 5/8" x 18-1/2" Mtg Hrd: 1/4" x 1" Bolt, LW & Nut (2 ea)
7	171-030	2	Swivel Adapter; 3/8" - 90 Degrees
8	170-471	1	Hyd Hose; 1/4" x 170"
9	170-468	1	Hyd Hose; 1/4" x 162"
10	170-073	1	Pin (1" Dia) For Door Pivot Bar (133-924) Secures With 170-074 Hairpin Clip
11	171-696	2	Pin For Door Linkage Bar (133-445) Secures With 170-236 (5/32" x 1-1/2" Cttr. Pin)
12	170-235	2	Reducer Bushing; 1/2" To 3/8"
13	300-022	A/R	Door Flow Control Plate Kit (Optional, Max Qty 2)

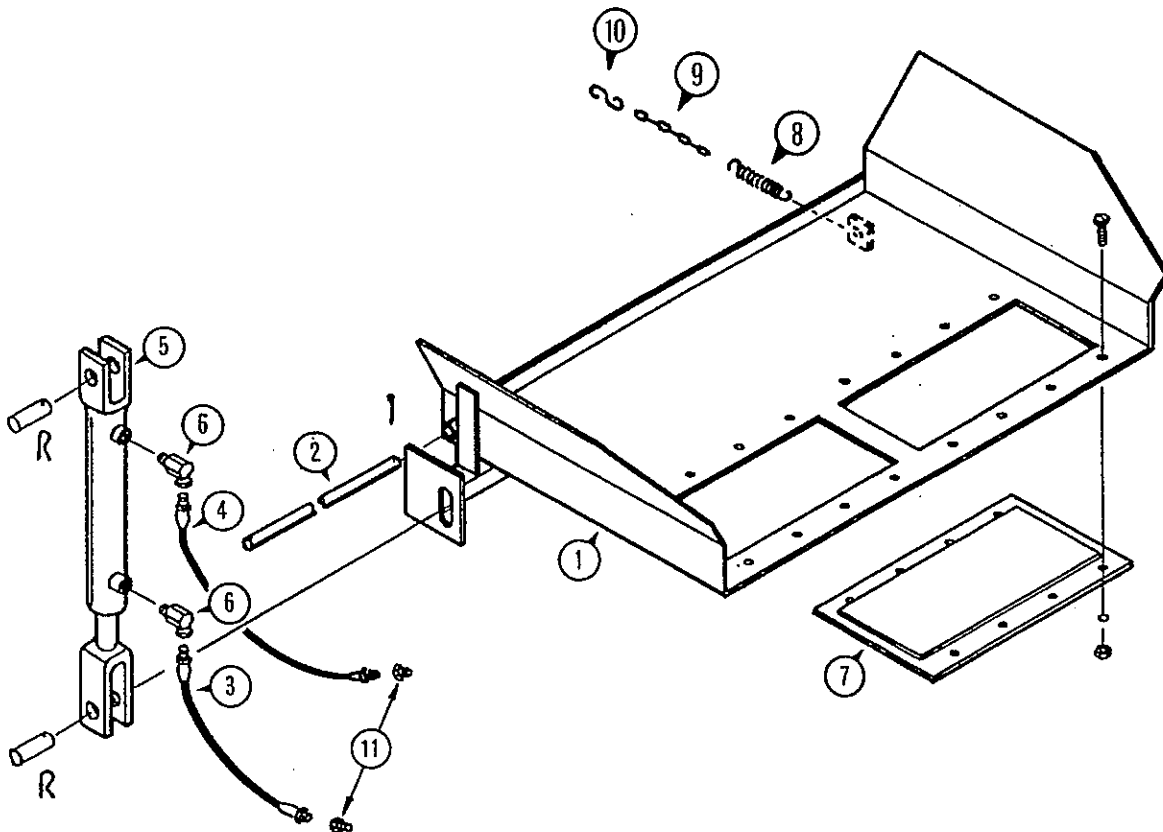


KNIGHT MANUFACTURING CORP. PO BOX 167 BRODHEAD, WI 53520  
 OFFICE: (608) 897-2131 PARTS/SERVICE: (608) 897-2125 FAX: (608) 897-2561

SLIDE TRAY PARTS

RA2375/2450-TOW R081790

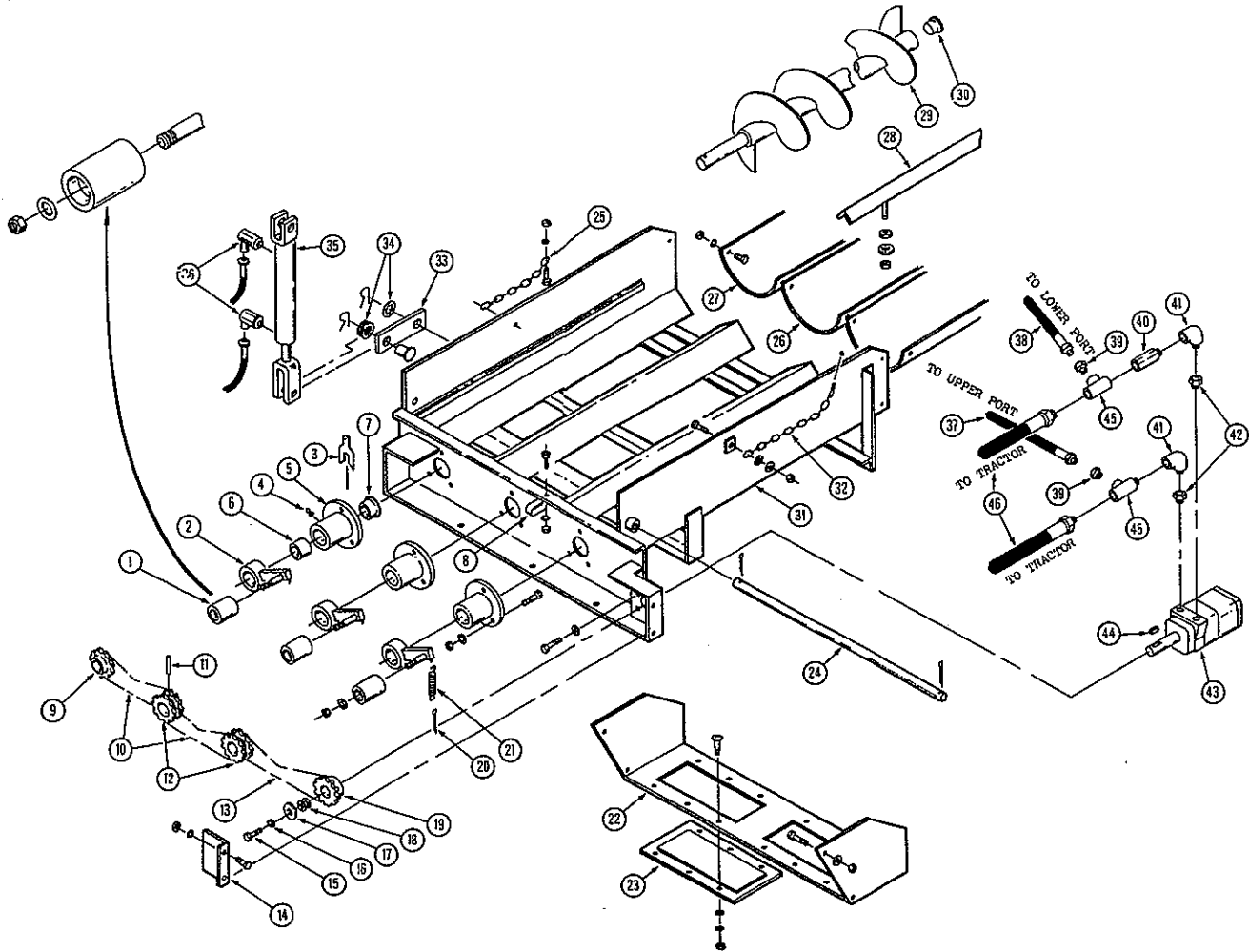
REF	PART NO	QTY	DESCRIPTION
1	101-747	1	Slide Tray Assembly (See Decal Section For Decals)
2	133-951	1	Tray Mtg Rod; 3/4" x 39-1/2" Long Mtg Hrd: 170-115 Cotter Pin (2 ea)
3	170-468	1	Hydraulic Hose Assy; 1/4" x 162"
4	170-471	1	Hydraulic Hose Assy; 1/4" x 170"
5	170-941	1	Hydraulic Cylinder; 2" x 8" Stroke Seal Repair Kit; 170-075
6	171-030	2	Swivel Connector; 3/8" - 90 Degree
7	171-937	2	Magnet; Mtg Hrd: 1/4" x 3/4" Truss Head Bolt, LW, FW & Nut (12 ea)
8	172-005	1	Spring
9	170-479	1	Machine Chain; #4 x 9 Link
10	170-947	1	S-Hhook
11	170-235	2	Reducer Bushing; 1/2" To 3/8"



A \* following a part number (XXX-XXX\*) indicates that the part is no longer used in production for this application. Superscript letters (XXX-XXX<sup>A</sup>) refer to footnotes and/or illustration boxes.

POWER CHUTE PARTS (SIDE MOUNT MOTOR)

RA2375/2450-TOW



POWER CHUTE PARTS (SIDE MOUNT MOTOR)

REF	PART NO	QTY	DESCRIPTION
	101-896	1	Complete Chute Assembly
1	134-395	3	Poly Block Mtg Hrd: 5/8" LW & Jam Nut
2	101-231	3	Chain Tightener Arm
3	171-265	A/R	Shim; .017" Thick
	171-266	A/R	Shim; .030" Thick
4	170-865	3	Zerk; 1/8" NPT

14-A

KNIGHT MANUFACTURING CORP. PO BOX 167 BRODHEAD, WI 53520  
 OFFICE: (608) 897-2131 PARTS/SERVICE: (608) 897-2125 FAX: (608) 897-2561

POWER CHUTE PARTS (SIDE MOUNT MOTOR)

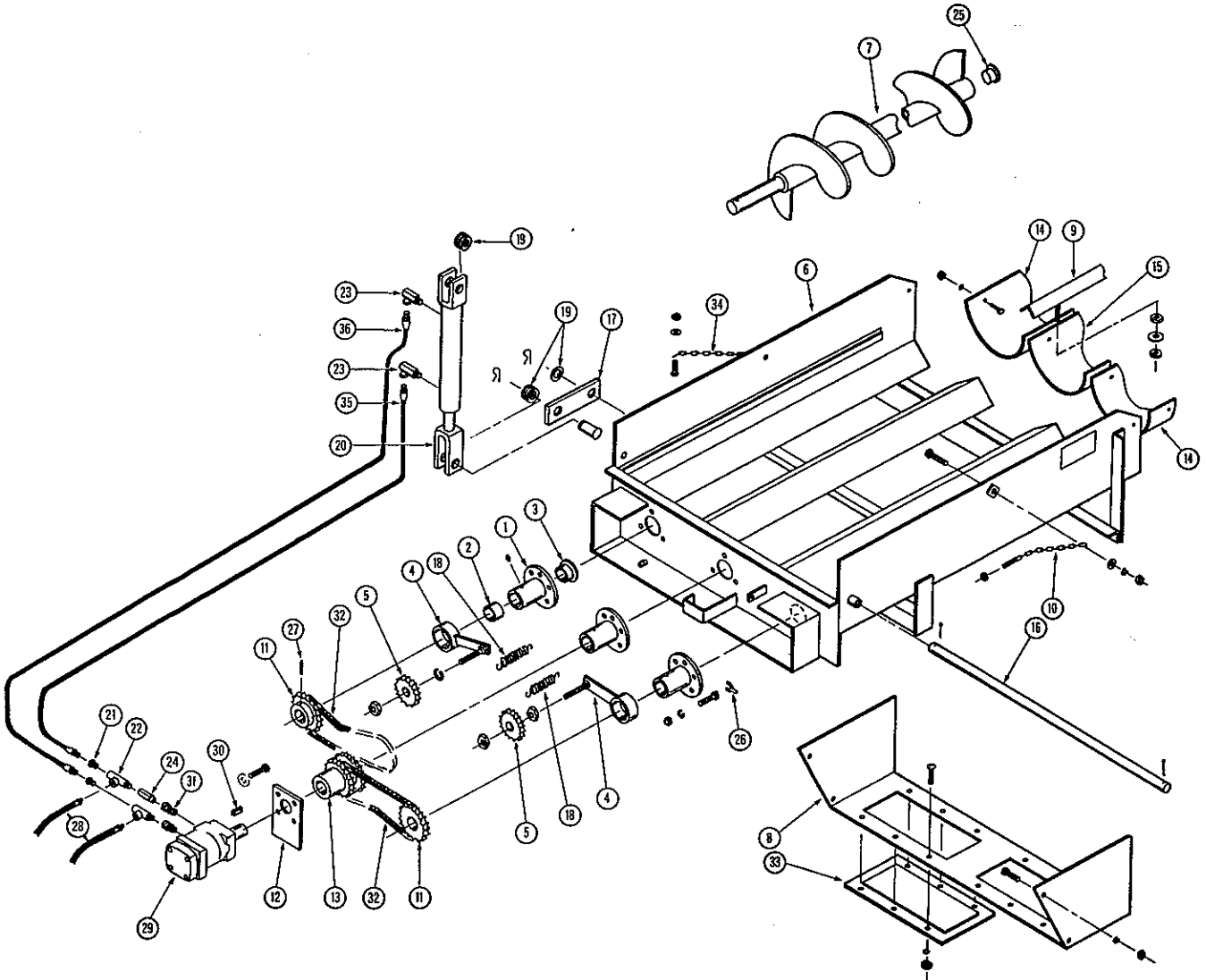
RA2375/2450-TOW

REF	PART NO	QTY	DESCRIPTION
5	101-227	3	Auger Bearing Assembly Mtg Hrd: 1-3/8" x 1" Bolt, LW & Nut (3 ea)
6	171-259	1	Bushing; Bronze, 1-3/8" I.D.
7	171-260	1	Bushing; Bronze 1-3/8" I.D. Flanged
8	171-782	1	Double Hose Clamp Mtg Hrd: 5/16" x 3/4" Bolt, LW & Nut
9	132-701	1	Sprocket; 50-B-18, 1-3/8" Bore
10	171-932	2	Roller Chain; 50-1-56 Pitch
11	171-297	3	Roll Pin; 1/4" x 2-1/2"
12	134-390	2	Sprocket; 50-2R-18, 1-3/8" Bore
13	171-178	1	Roller Chain; 50-1-48 Pitch
14	134-394	1	Motor Drive Shield; Mtg Hrd: 5/16" x 3/4" Bolt, LW & Nut (2 ea)
15	170-262	1	Bolt; 5/16" x 3/4" Hex Head
16	170-118	1	Washer; 5/16" Lock
17	170-302	1	Washer; 3/8" Heavy
18	171-576	1	Machine Washer
19	134-389	1	Sprocket; 50-B-18, 1" Bore
20	170-135	3	Cotter Pin; 5/32" x 3"
21	170-110	3	Spring
22	101-737	1	Tipoff Assembly Mtg Hrd: 5/16" x 1" Bolt, LW & Nut (2 ea)
23	171-937	2	Magnet Mtg Hrd: 1/4" x 3/4" Truss Head Bolt LW, FW & Nut (6 ea)
24	133-951	1	Tipoff Pivot Rod Mtg Hrd: 170-115 Cotter Pin (2 ea)
25	171-938	1	Chain; 4/0 Coil x 21 Link Mtg Hrd: 5/16" x 1" Bolt, LW & Nut
26	133-943	1	Plastic Chute Liner - Center
27	133-942	2	Plastic Chute Liner - Side Mtg Hrd: 1/4" x 3/4" Truss Head Bolt, LW & Nut (2 ea)
28	101-738	2	Liner Hold-Down Assy
29	101-736	3	Auger Assy
30	171-186	3	Plastic Cap Plug; #16
31	101-897	1	Chute Weldment
32	101-739	1	Chute Restraint Chain Assy Mtg Hrd: 5/16" x 1" Bolt, LW & Nut
33	133-952	1	Chute Cylinder Linkage Bar Mtg Hrd: 170-074 Hairpin Clip (2 ea)
34	170-122	A/R	Spacer Washer; 1" Sae Flat
35	170-161	1	Hydraulic Cylinder; 2" x 18" (Seal Kit #170-075)
36	171-030	2	Swivel Adapter; 3/8" x 90 Degree
37	171-427	1	Hyd Hose; 1/4" x 80" Overall Length
38	171-940	1	Hyd Hose; 1/4" x 64" Overall Length
39	170-235	2	Reducer Bushing; 1/2" to 3/8"
40	171-151	1	Line Check Valve; 1/2"
41	171-136	2	90 Degree Street Elbow; 1/2"
42	171-668	2	Straight Thread Adapter
43	171-666	1	Hyd Motor; 12 cu. in. (Seal Kit #171-257) Mtg Hrd: 3/8" x 7/8" Bolt, LW, & Nut (4 ea)
44	171-883	1	Key; 1/4" x 1/4" x 1" Long
45	170-859	2	Service Tee; 1/2"
46	171-330	2	Hyd Hose; 1/2" x 168" Overall Length

14-B

POWER CHUTE PARTS (CENTER MOUNT MOTOR)

RA2375/2450-TOW R122190



POWER CHUTE PARTS (CENTER MOUNT MOTOR)

RA2375/2450-TOW R122190

This power chute was produced between 2-88 and 11-90. It has been replaced with the "Side Mount Motor" Power Chute as of 12-90.

REF	PART NO	QTY	DESCRIPTION
	101-734*	1	Complete Chute Assembly (No Longer Available)
1	101-227*	3	Auger Bearing Assy; Includes Grease Zerk (170-865) Mtg Hrd: 3/8" x 1" Bolt, LW & Nut (3 ea)
2	171-259*	1	Bushing; Bronze, 1-3/8" ID
3	171-260*	1	Bushing; Bronze, 1-3/8" ID, Flanged
	101-232*	1	RH Chain Tightener Assembly
4	101-231*	1	Chain Tightener Arm
5	171-272*	1	Sprocket; 50-15, Idler Mtg Hrd: 5/8" LW & Jam Nut
	101-233*	1	LH Chain Tightener Assembly
4	101-231*	1	Chain Tightener Arm
5	171-272*	1	Sprocket; 50-15, Idler Mtg Hrd: 5/8" Jam Nuts (2)
6	101-735 <sup>A</sup> *	1	Power Chute Weldment (No Longer Available)
7	101-736*	3	Auger Assembly
8	101-737*	1	Tipoff Assembly Mtg Hrd: 5/16" x 1" Bolt, LW & Nut
9	101-738*	2	Liner Hold-Down Assy Mtg Hrd: 3/8" FW, Nut & 1/2" Spacer LN (2 ea)
10	101-739*	1	Chute Restraint Chain Assembly Mtg Hrd: 5/16" x 1" Bolt, LW & Nut
11	132-701*	2	Sprocket; 50-B-18, 1-3/8" Bore
12	132-749*	1	Motor Mount Plate
13	132-756*	1	Sprocket; 50-2R-B-18, 1-3/8" Bore
14	133-942*	2	Plastic Chute Liner - Side
15	133-943*	1	Plastic Chute Liner - Center Mtg Hrd: 1/4" x 3/4" Truss Head, LW & Nut (2 ea)
16	133-951*	1	Tipoff Pivot Rod Mtg Hrd: 170-115 Cttr Pin (2 ea)
17	133-952*	1	Chute Cylinder Linkage Bar Mtg Hrd: Two 170-074 Hairpin Clips
18	170-110*	2	Spring
19	170-122*	A/R	Spacer Washer; 1" SAE Flat
20	170-161*	1	Cylinder; 2" x 18" (Seal Kit #170-075)
21	170-235*	2	Reducer Bushing; 1/2" To 3/8"
22	170-859*	2	Service Tee; 1/2"
23	171-030*	2	Swivel Adapter; 3/8" - 90 Degree
24	171-151*	1	Line Check Valve; 1/2"
25	171-186*	3	Plastic Cap Plug; #16
26	171-265*	A/R	Shim; .017" Thick
26	171-266*	A/R	Shim; .030" Thick
27	171-297*	3	Roll Pin; 1/4" x 2-1/2"
28	171-330*	2	Hyd Hose; 1/2" x 168" Overall Length
29	171-666*	1	Hyd Motor; 12 Cu. In. (Seal Kit #171-257) Mtg Hrd: 3/8" x 7/8" Bolt & LW (4 ea)
30	171-883*	1	Key For Hyd Motor; 1/4" x 1/4" x 1" Long
	170-861*	1	Woodruff Key For Hyd Motor; 1/4" x 1", Used Before 11-89
31	171-668*	2	Straight Thread Adapter
32	171-932*	2	Roller Chain; 50-1-56 Pitch
33	171-937*	2	Magnet Mtg Hrd: 1/4" x 3/4" Truss Head, LW, FW & Nut
34	171-938*	1	Chain; 4/0 Coil x 21 Links Mtg Hrd: 5/16" x 1" Bolt, FW & FLN
35	171-939*	1	Hyd Hose; 1/4" x 41" Overall Length
36	171-940*	1	Hyd Hose; 1/4" x 64" Overall Length

A: The 101-897 "Side Motor Mount" Power Chute Weldment will substitute for the 101-735 weldment. Additional parts are necessary. Contact Knight Mfg. for details.

15-B

A \* following a part number (XXX-XXX\*) indicates that the part is no longer used in production for this application. Superscript letters (XXX-XXX<sup>A</sup>) refer to footnotes and/or illustration boxes.

SELECTOR VALVE - SLIDE TRAY OPTION

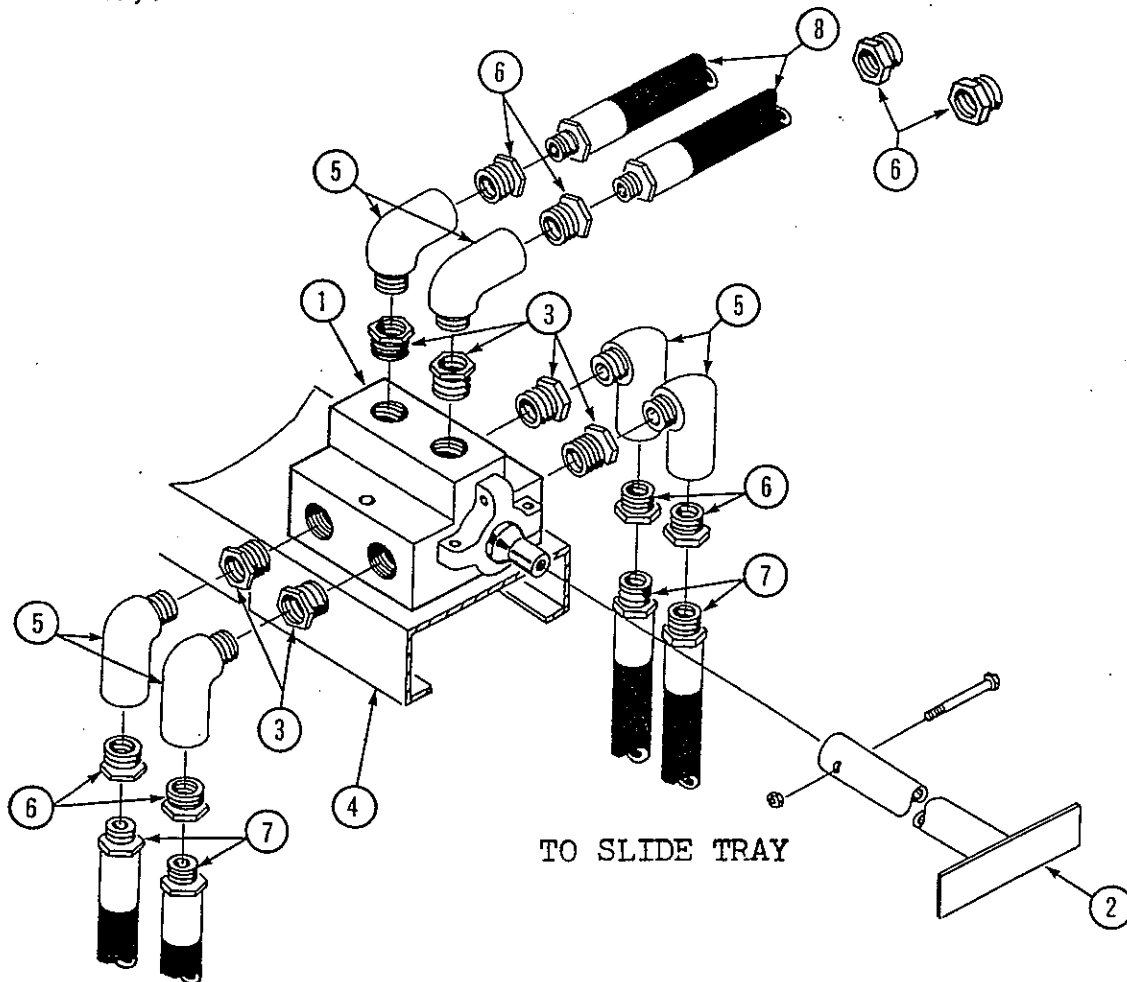
RA2375/2450-TOW R081790

FACTORY INSTALLED PARTS:

REF	PART NO	QTY	DESCRIPTION
1	101-891	1	Selector Valve Assembly, W/Sleeve Mtg Hrd: 5/16" x 2-1/2" Bolt, LW & Nut (2 ea)
2	101-791	1	Control Handle Assembly Mtg Hrd: 1/4" x 1-1/2" Bolt & LN
3	171-430	6	Reducer Bushing; 3/4" Male To 1/2" Female
4			Hose Holder Assembly (Shown For Reference Only)
5	171-136	6	Street Elbow; 1/2" - 90 Degree
6	170-235	8	Reducer Bushing; 1/2" Male To 3/8" Female
7	170-465	4	Hyd Hose 1/4" x 127"
8	171-998	2	Hyd Hose 1/4" x 117"

FIELD INSTALLATION NOTE:

The field installation kit (P/N 300-010) contains all of the above parts except for four reducer bushings (P/N 170-235) and four hydraulic hoses (P/N 170-465).



**DIVERTER VALVE - POWER CHUTE OPTION**

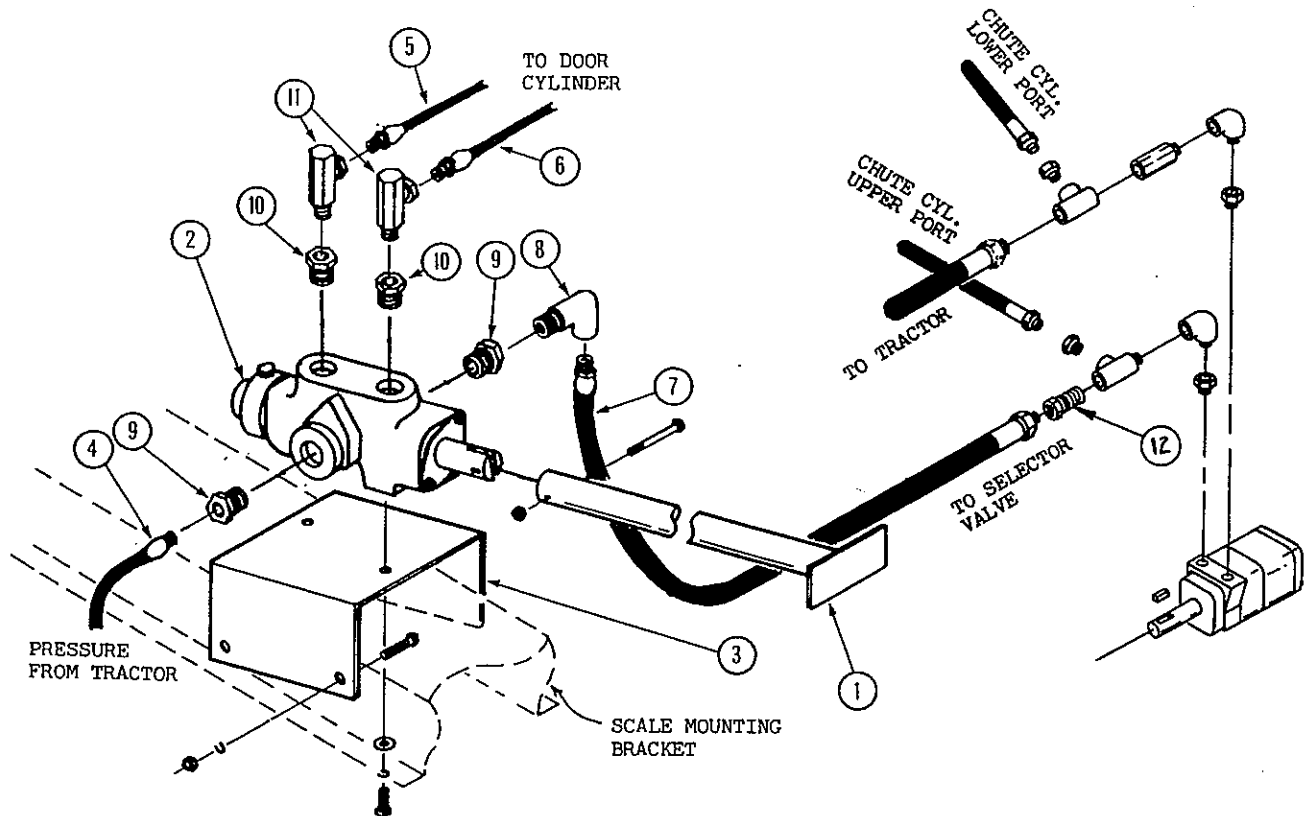
RA2375/2450-TOW R122190

**FACTORY INSTALLED PARTS:**

REF	PART NO	QTY	DESCRIPTION
1	101-791	1	Control Handle Assy Mtg Hrd: 1/4" x 1-1/2" Bolt & LN
2	171-424	1	Diverter Valve Assy (Seal Kit #171-847) Mtg Hrd: 3/8" x 3/4" Bolt, LW, & FW (2 ea)
3	134-136	1	Mounting Bracket Mtg Hrd; 1/4" x 3/4" Bolt, LW & Nut
4	171-426	1	Hyd Hose; 1/2" x 96" Long 1/2" Ends
5	170-465	1	Hyd Hose; 1/4" x 127" Long 3/8" Ends
6	171-998	1	Hyd Hose; 1/4" x 117" Long 3/8" Ends
7	171-189	1	Hyd Hose; 1/2" x 108" Long 1/2" Ends
7	171-999* <sup>A</sup>	1	Hyd Hose; 1/2" x 112" Long 1/2" Ends
8	171-136	1	Connector; Elbow 1/2" - 90 Degree
9	171-430	2	Connector; Reducer 3/4" To 1/2"
10	170-235	2	Connector; Reducer 1/2" To 3/8"
11	171-030	2	Connector; Swivel 3/8" - 90 Degree
12	170-513	1	Connector; Swivel 1/2" Straight

**FIELD INSTALLATION NOTE:**

The field installation kit (P/N 300-006) contains all of the above parts except for references 5 - 7 (Field kit doesn't include 170-465, 171-998 and 171-189).

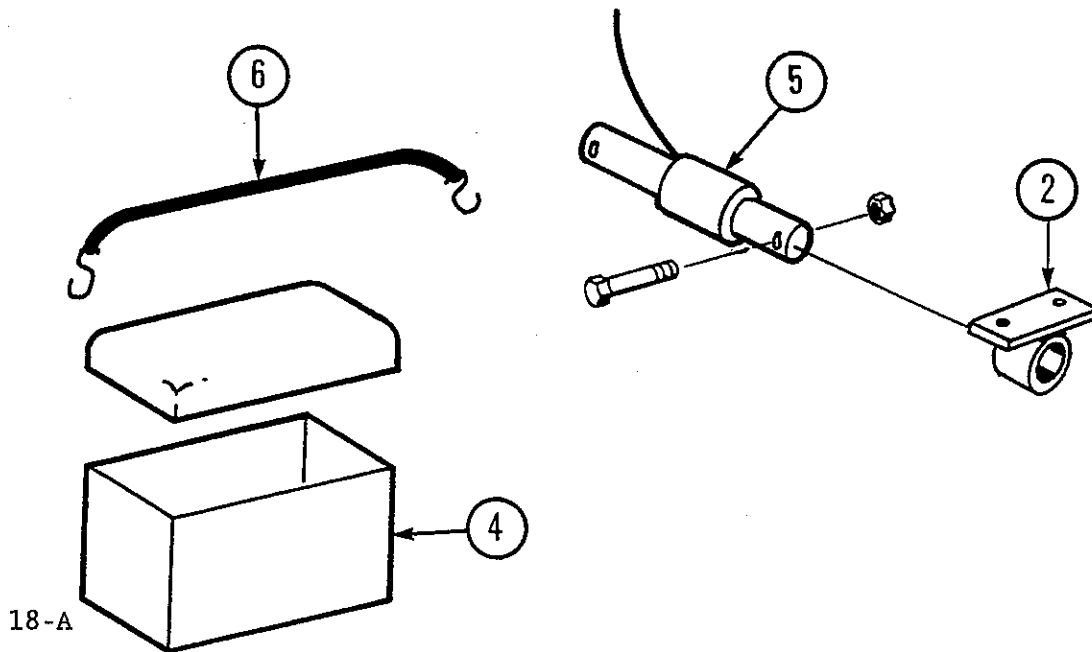
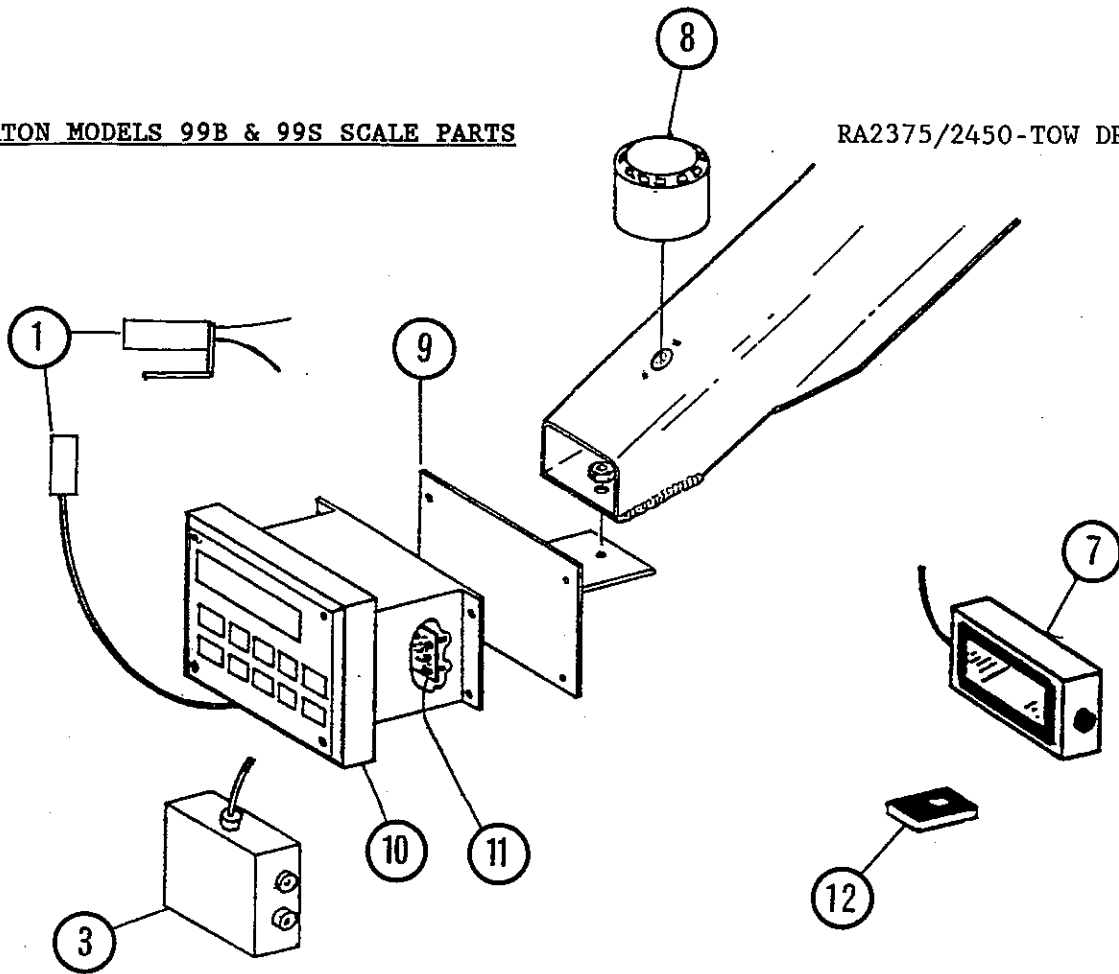


A: The longer 171-999 hose was used with the obsolete "Center Mount Motor" Power Chute.

A \* following a part number (XXX-XXX\*) indicates that the part is no longer used in production for this application. Superscript letters (XXX-XXX<sup>A</sup>) refer to footnotes and/or illustration boxes.

EATON MODELS 99B & 99S SCALE PARTS

RA2375/2450-TOW DR061091



18-A

KNIGHT MANUFACTURING CORP. PO BOX 167 BRODHEAD, WI 53520  
OFFICE: (608) 897-2131 PARTS/SERVICE: (608) 897-2125 FAX: (608) 897-2561

**EATON SCALE PARTS**

RA2375/2450-TOW DR030493

REF	PART NO	QTY	DESCRIPTION
1	170-415	1	Plug - Tractor Mount
1	172-333	1	Power Cord Assembly
2	101-742	4	Weigh Bar Mount Spool Mtg Hrd To Unit: 5/8" x 1-3/4" Gr 5 Bolt, FW & LN (2 ea)
3	172-335	1	Junction Box With 15' Cord
4	171-158	1	Battery Box With Cover
5	171-557	2	Weigh Bar; 2-1/8" Dia, 15' Cord Length (Front)
5	171-558	2	Weigh Bar; 2-1/8" Dia, 30' Cord Length (Rear)
	171-960		Splice Kit - For Weigh Bar Cord Repair
6	171-936	1	Battery Hold-Down Strap
7	172-336	1	Remote Display With 30' Cable
8	101-916	1	Alarm Horn Assembly Mtg Hrd: #6 x 3/4" Bolt, LW & Nut (2 ea)
9	133-378	1	Indicator Mount Mtg Hrd: 170-238 Spring, 3/8" x 2" Bolt, FW & LN

**Items Used With Model 99B Only:**

10	172-329	1	Indicator; Model 99B (2-1/8" Weigh Bars) Mtg Hrd: 1/4" x 3/4" Bolt, FW, LW & Nut (4 ea)
	172-339	1	Operator's Manual; Model 99B

**Items Used With Model 99S Only:**

10	172-331	1	Indicator; Model 99S (2-1/8" Weigh Bars) Mtg Hrd: 1/4" x 3/4" Bolt, FW, LW & Nut (4 ea)
	172-340	1	Operator's Manual; Model 99S
11	172-337 <sup>A</sup>	1	Radio Control Package
12	172-338	1	Transmitter; Radio Control

**Items Used With Model 9TL:**

10	172-499	1	Indicator; Model 9TL (2-1/8" & 2-1/2" Weigh Bars) Mtg Hrd: 1/4" x 3/4" Bolt, FW, LW & Nut (4 ea)
	172-298	1	Operators Manual; Model 9TL

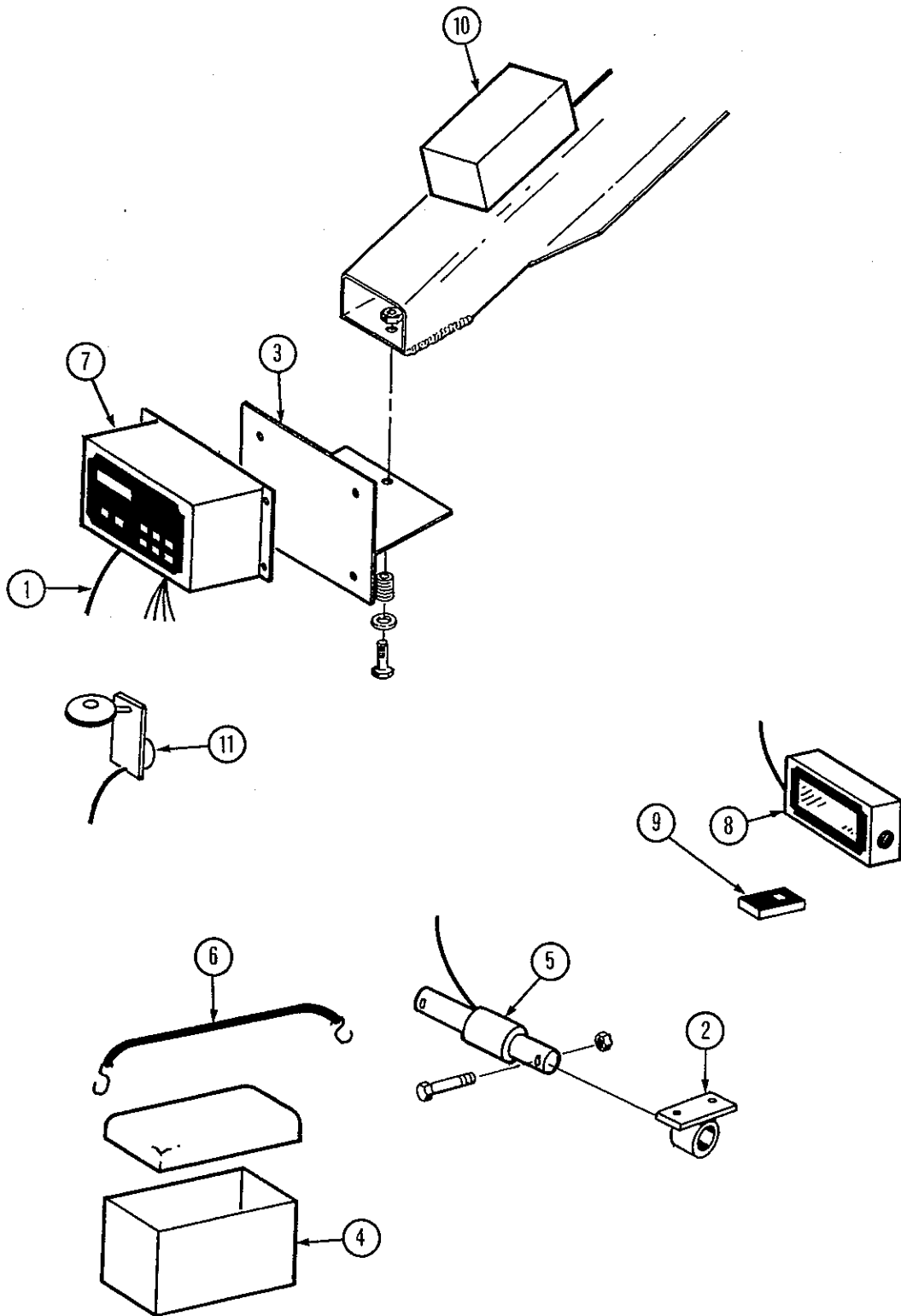
**Service Tools:**

	172-386	1	Precision Calibrator For Scale Indicators
--	---------	---	---

A: Indicator must be sent to Knight Mfg. for radio control card installation.

18-B

An asterisk (\*) at the end of a part number (XXX-XXX\*) indicates that the part is no longer used in production for this application. Superscript letters (XXX-XXX<sup>A</sup>) refer to footnotes and/or illustration boxes.



19-A

EATON MODELS 625 & 630 SCALE PARTS

RA2375/2450-TOW DR061191

Part numbers apply to both models (625 &amp; 630) unless otherwise specified.

REF	PART NO	QTY	DESCRIPTION
1	101-502	1	Power Cord Assembly
2	101-742	4	Weigh Bar Mount Spool      Mtg Hrd To Unit: 5/8" x 1-3/4" Gr 5 Bolt, FW & LN (2 ea)
3	133-378	1	Indicator Mount      Mtg Hrd: 170-238 Spring, 3/8" x 2" Bolt, FW & LN
4	171-158	1	Battery Box
5	171-557	2	Weigh Bar; 2-1/8" Dia, 15' Cord Length (Front)
5	171-558	2	Weigh Bar; 2-1/8" Dia, 25' Cord Length (Rear)
	171-960		Splice Kit - For Weigh Bar Cord Repair
6	171-936	1	Battery Hold-Down Strap

## Items Used With Model 625 Only:

	171-785	1	Operator's Manual
7	171-784 <sup>A</sup>	1	Indicator Unit; Model 625, 20K x 5# Mtg Hrd: 1/4" x 3/4" Bolt, LW & Nut (4 ea)
8	171-790	1	Remote Display
8	171-791	1	Kit - Radio And Remote Display
9	171-789	1	Transmitter
10	171-787	1	Kit - Radio Control
9	171-789	1	Transmitter

## Items Used With Model 630 Only:

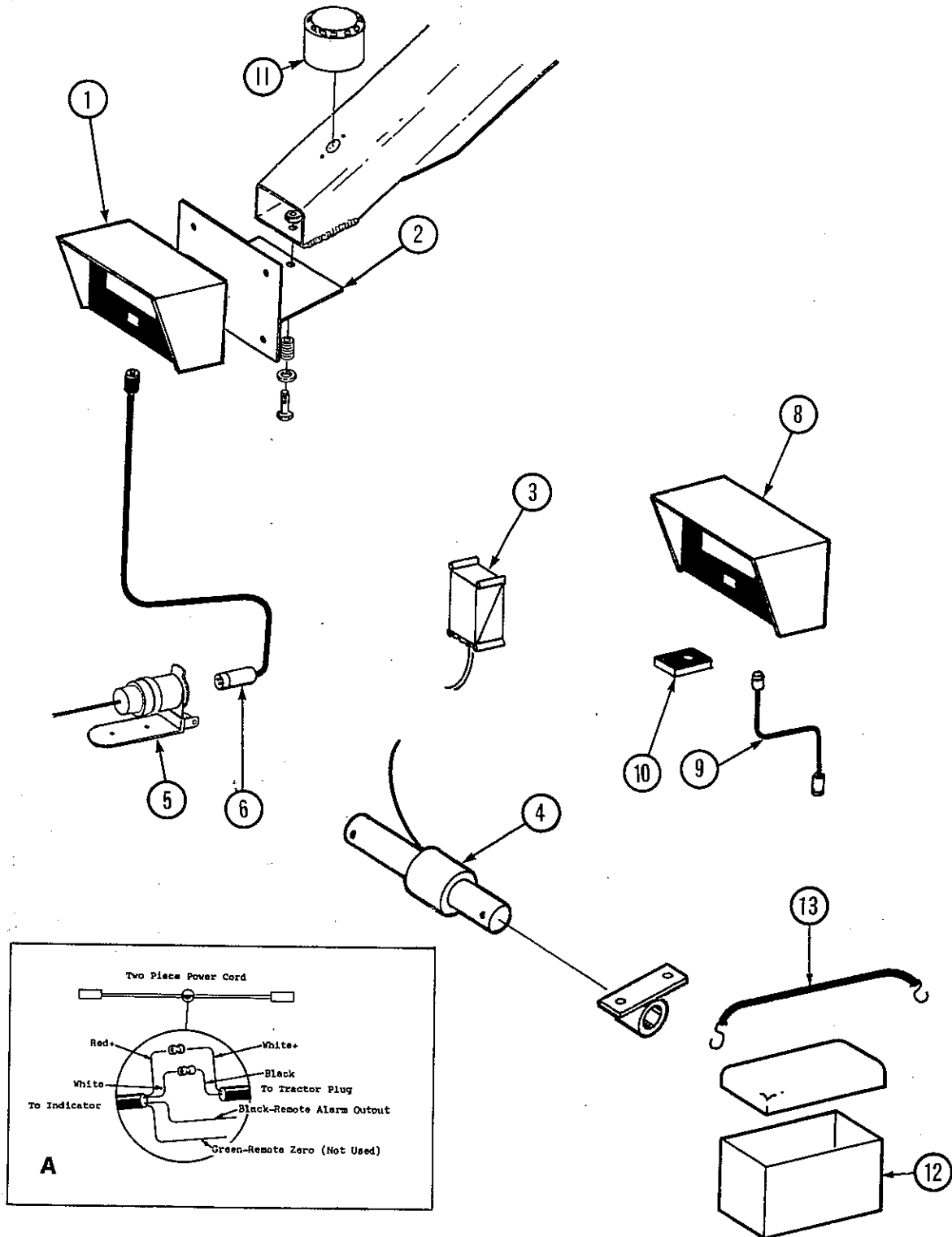
	171-786	1	Operator's Manual
7	171-552 <sup>A</sup>	1	Indicator Unit; Model 630, 40K x 10# Mtg Hrd: 1/4" x 3/4" Bolt, LW & Nut (4 ea)
8	171-957	1	Remote Display
11	101-390 <sup>B</sup>	1	Horn/Lite Assembly Mtg Hrd: 3/8" x 1" Bolt, LW & Nut

A: This indicator can be replaced with an Eaton Model 99 indicator. Consult Knight Mfg. for details.

B: The 101-390 Horn/Light Assembly can be replaced with the 101-916 Alarm Horn Assembly.

19-B

A \* following a part number (XXX-XXX\*) indicates that the part is no longer used in production for this application. Superscript letters (XXX-XXX<sup>A</sup>) refer to footnotes and/or illustration boxes.



20-A

J-STAR SCALE PARTS

RA2375/2450-TOW DR111892

REF	PART NO	QTY	DESCRIPTION
1	172-128 <sup>B</sup>	1	Model EZ-150 Indicator For 2-1/8" Weigh Bar
1	172-129	1	Model 10 Indicator For 2-1/8" Weigh Bar
1	172-130	1	Model 20 Indicator For 2-1/8" Weigh Bar
	172-130	1	Model EZ-210 Indicator For 2-1/8" Weigh Bar
	172-500	1	Model EZ-320 Indicator For 2-1/8" Weigh Bar
2	101-835	1	Indicator Mount Mtg Hrd: 1/4" x 3/4" Bolt, FW, LW & Nut (2 ea) 3/8" x 2" Bolt, FW & LN
3	172-134	1	Junction Box
4	172-138	4	Weigh Bar; 2-1/8" Dia
	171-960		Splice Kit - For Weigh Bar Cord Repair
5	170-415	1	Plug - Tractor Mount
6	172-354	1	Power Cord Assy
6	172-183* <sup>A</sup>	1	Power Cord - Scale End
6	171-896* <sup>A</sup>	1	Power Cord - Tractor End

Optional Items:

8	172-140	1	Model 20R Remote Display (Less Cable)
	172-141	1	Model 20R/TR R.D. W/Transmitter (Less Cable)
9	172-142	1	Cable For P/N 172-140 & 172-141
10	172-143	1	Extra Transmitter For Model 20R/TR
	172-165	1	30' J-Box Extension Cable (Optional)
	172-166	1	10' J-Box Extension Cable (Optional)
11	101-917	1	Alarm Horn Assembly Mtg Hrd: #6 x 3/4" Bolt, LW & Nut (2 ea)
12	171-158	1	Battery Box
13	171-936	1	Battery Hold-Down Strap

Service Tools:

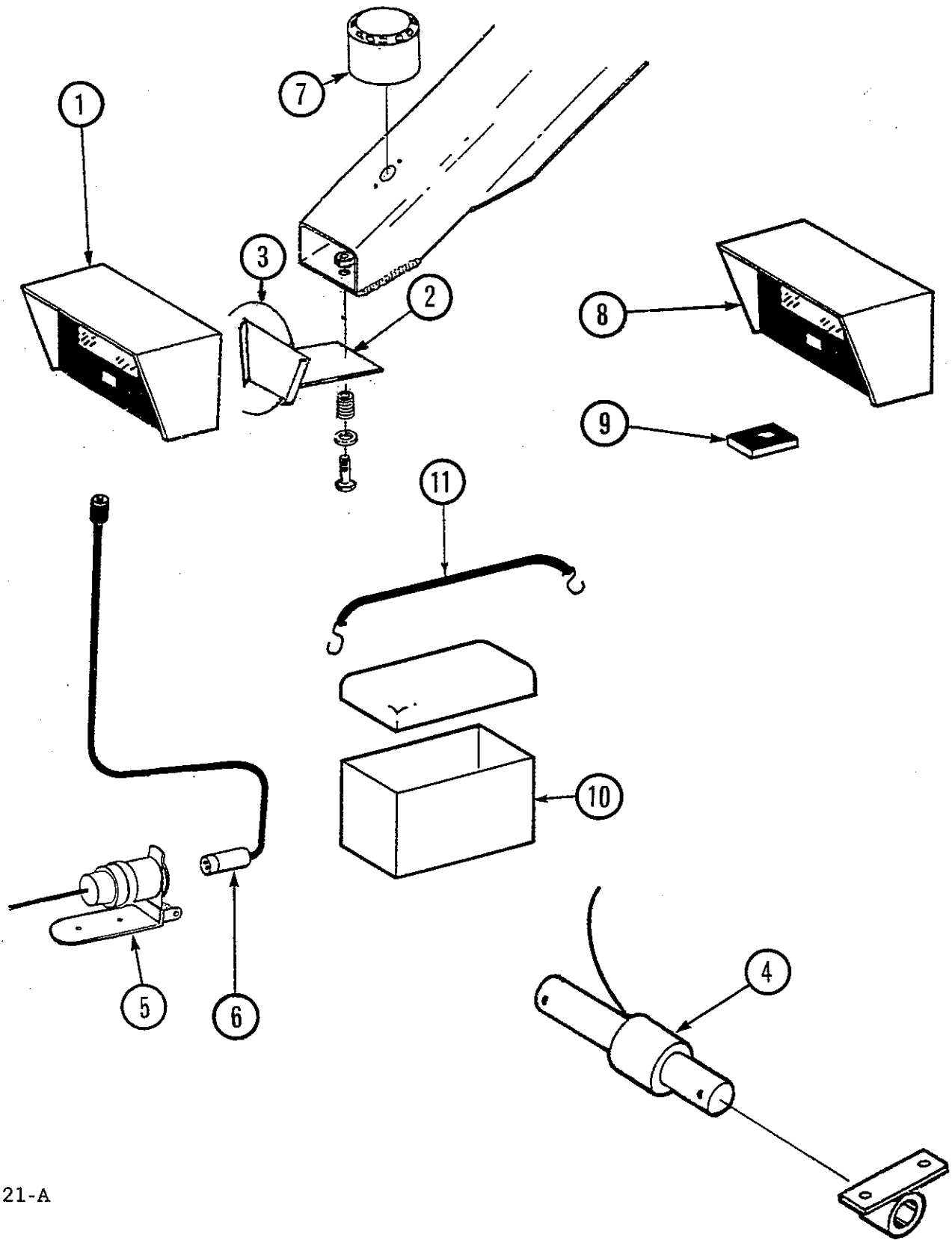
172-386	1	Precision Calibrator For Scale Indicators
---------	---	---

A: The two-piece power cord (171-896 & 172-183) has been replaced as of 8-91. Order the 172-354 cord

B: Oct. 92, J-Star Model 5 indicator was replaced by Model EZ-150.

20-B

An asterisk (\*) at the end of a part number (XXX-XXX\*) indicates that the part is no longer used in production for this application. Superscript letters (XXX-XXX<sup>A</sup>) refer to footnotes and/or illustration boxes.



21-A

WEIGH-TRONIX SCALE PARTS

RA2375/2450-TOW DR051592

This scale system was offered with mixers sold between June, 1991 & Jan., 1992

REF	PART NO	QTY	DESCRIPTION
1	172-277*	1	Indicator, Model 700E
2	101-906*	1	Indicator Mount Mtg Hrd: Spring (170-238) 3/8" x 2" Bolt, FW & LN
3	171-861*	1	Wire Tie, Indicator Mount
4	172-275*	4	Weigh Bar; 2-1/8" Dia, 30' Cord Length
	171-960*		Splice Kit - For Weigh Bar Cord Repair
5	170-415*	1	Plug; Tractor Mount
6	170-981*	1	Power Cord

## Optional Items:

7	101-918*	1	Alarm Horn Assembly Mtg Hrd: #6 x 3/4" Bolt, LW & Nut (2 ea)
8	172-279* <sup>B</sup>	1	Remote Display (Includes Cable & Mounting Bracket)
	172-351* <sup>A</sup>	1	Radio Control Package, Installed In Remote Display
9	172-350*	1	Transmitter; Radio Control
	172-349* <sup>AB</sup>	1	Radio Control Package, Installed In Indicator
9	172-350*	1	Transmitter; Radio Control
10	171-158*	1	Battery Box & Cover
11	171-936*	1	Battery Hold-Down Strap

A: The display must be sent to Knight Mfg. for radio control card installation.

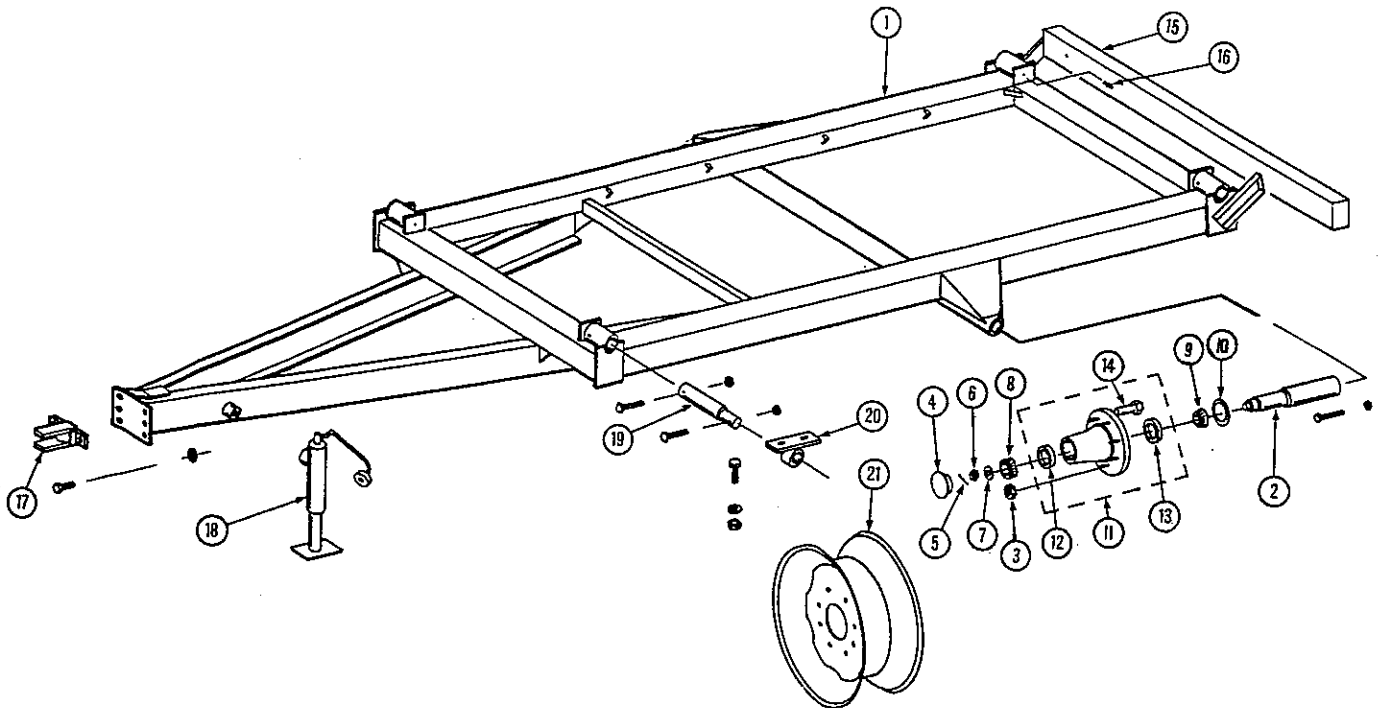
B: The remote display can't be used with the 172-349\* radio control package. To use the remote display and radio controller, the 172-351\* radio controller must be installed in the remote display.

21-B

An asterisk (\*) at the end of a part number (XXX-XXX\*) indicates that the part is no longer used in production for this application. Superscript letters (XXX-XXX<sup>A</sup>) refer to footnotes and/or illustration boxes.

UNDERCARRIAGE

RA2375/2450-TOW R081790

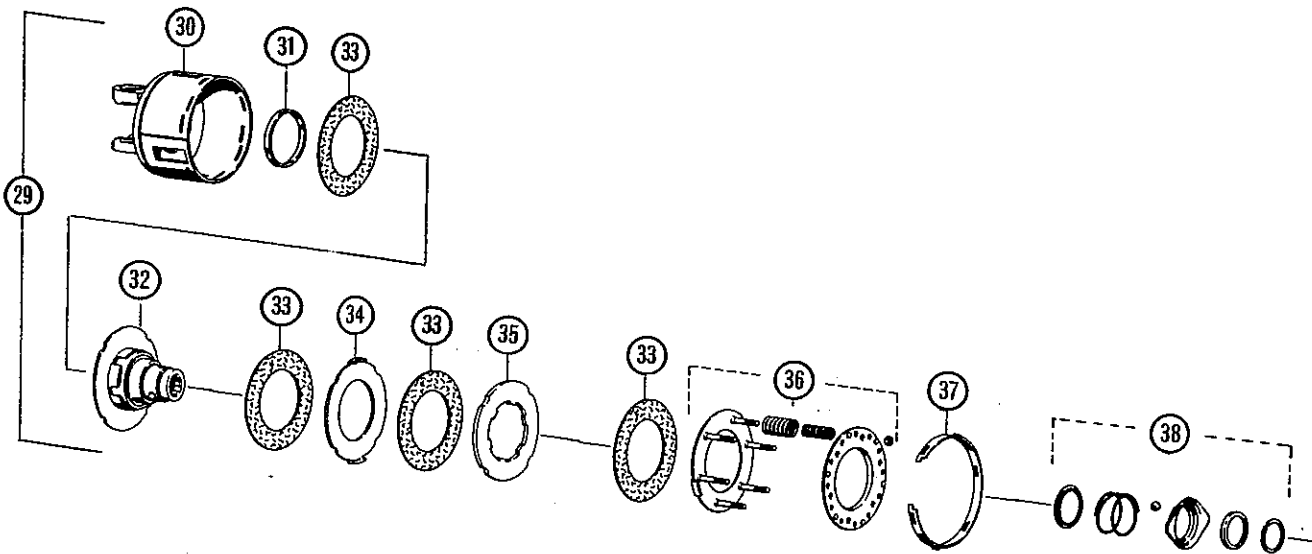
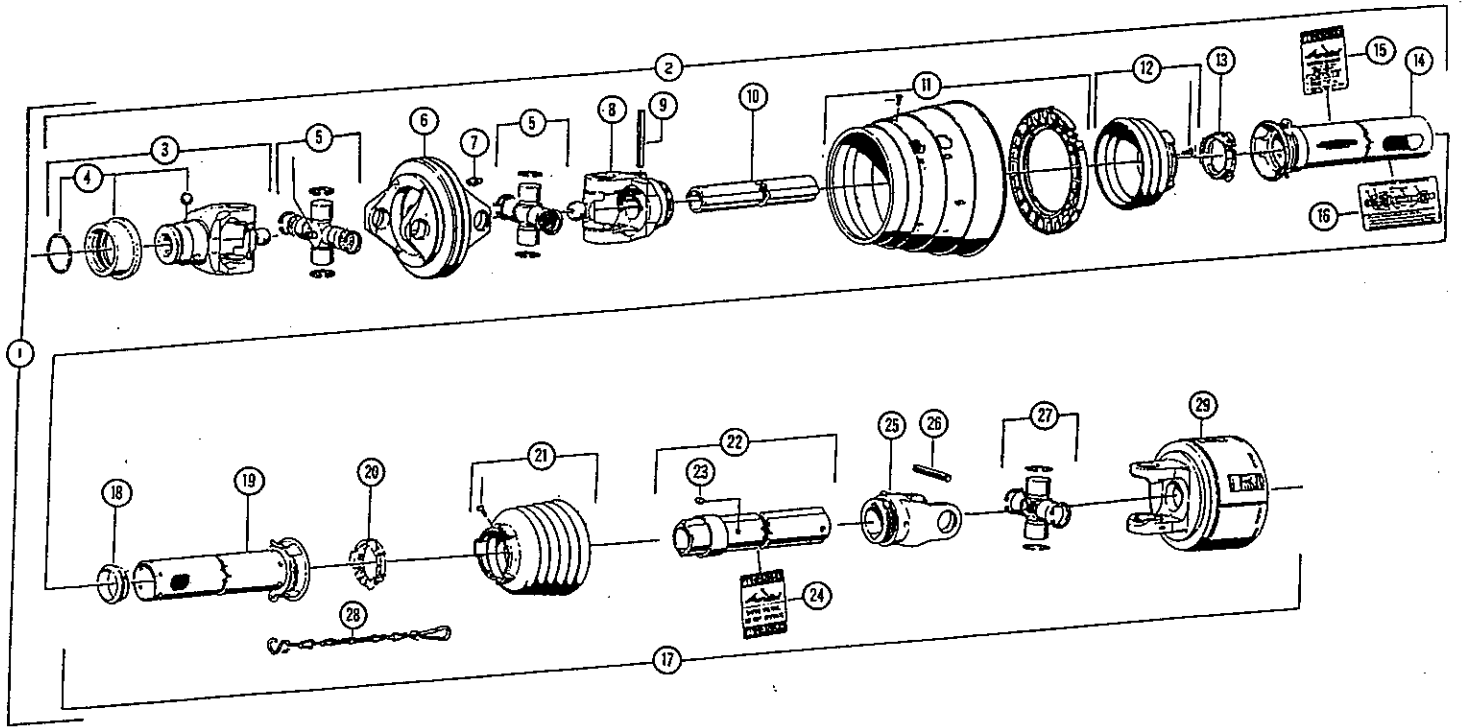


UNDERCARRIAGE

RA2375/2450-TOW DR101791

REF	PART NO	QTY	DESCRIPTION
1	101-789	1	Undercarriage Weldment For 2375
1	101-790	1	Undercarriage Weldment For 2450
2	170-918	2	Spindle, Welded To Axle
	170-929	2	Complete 10-Bolt Hub Assembly
3	170-920	10	Nut; 3/4" NF
4	170-926	1	Dust Cap; Mtg Hrd: 5/16" x 3/4" Bolt (4 ea)
5	170-056	1	Cotter Pin; 1/4" x 2"
6	170-927	1	Castle Nut; 1-1/4" NF
7	170-928	1	Flat Washer; 1-1/4" Heavy
8	170-921	1	Bearing Cone; Timken 460 Or Equiv (Outer) 1.75"
9	170-923	1	Bearing Cone; Timken 39585 Or Equiv (Inner) 2.5"
10	170-925	1	Grease Seal; C/R 30087 Or Equiv
11	172-397	1	10-Bolt Hub Assembly
12	170-922	1	Bearing Race; Timken 453A Or Equiv (Outer)
13	170-924	1	Bearing Race; Timken 39520 Or Equiv (Inner)
14	170-919	10	Stud
15	133-973	1	Wood Bumper; 3" x 6" x 72" Mtg Hrd: 1/2" x 4" Tap Bolt, FW, LW & Nut (4 ea)
16	170-023	4	Zerk; 1/4"-28 NF
16	170-865*	4	Zerk; 1/8" NPT, Used Before 1-91
17	101-741	1	Tongue Clevis Assembly Mtg Hrd: 3/4" x 2" GRD 8 Bolt & GRD 8 LN (2 ea)
18	170-984	1	Jackstand Assembly (See Jackstand Page For Parts)
19	133-976	4	Dummy Weigh Bar Mount (For Units Without Scales) Mtg Hrd To Spool: 3/8" x 2-1/2" Bolt & LN Mtg Hrd To Endstop: 3/8" x 3-1/2" Bolt & LN
20	101-742	4	Weigh Bar Mount Spool Mtg Hrd To Unit: 5/8" x 1-3/4" GRD 5 Bolt, FW & LN (2 ea)
21	171-616	2	Wheel; 22.5" x 11", 10-Bolt

A \* following a part number (XXX-XXX\*) indicates that the part is no longer used in production for this application. Superscript letters (XXX-XXX<sup>A</sup>) refer to footnotes and/or illustration boxes.



PTO DRIVELINE & FRICTION CLUTCH

RA2375/2450-TOW DR110491

## Waltershied Constant Velocity PTO

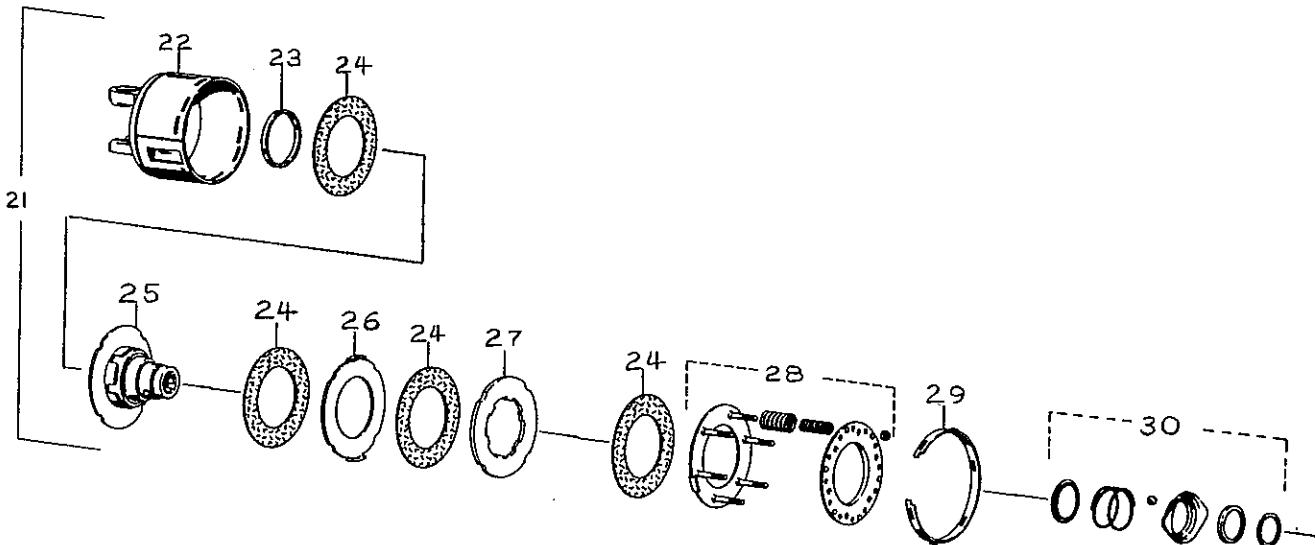
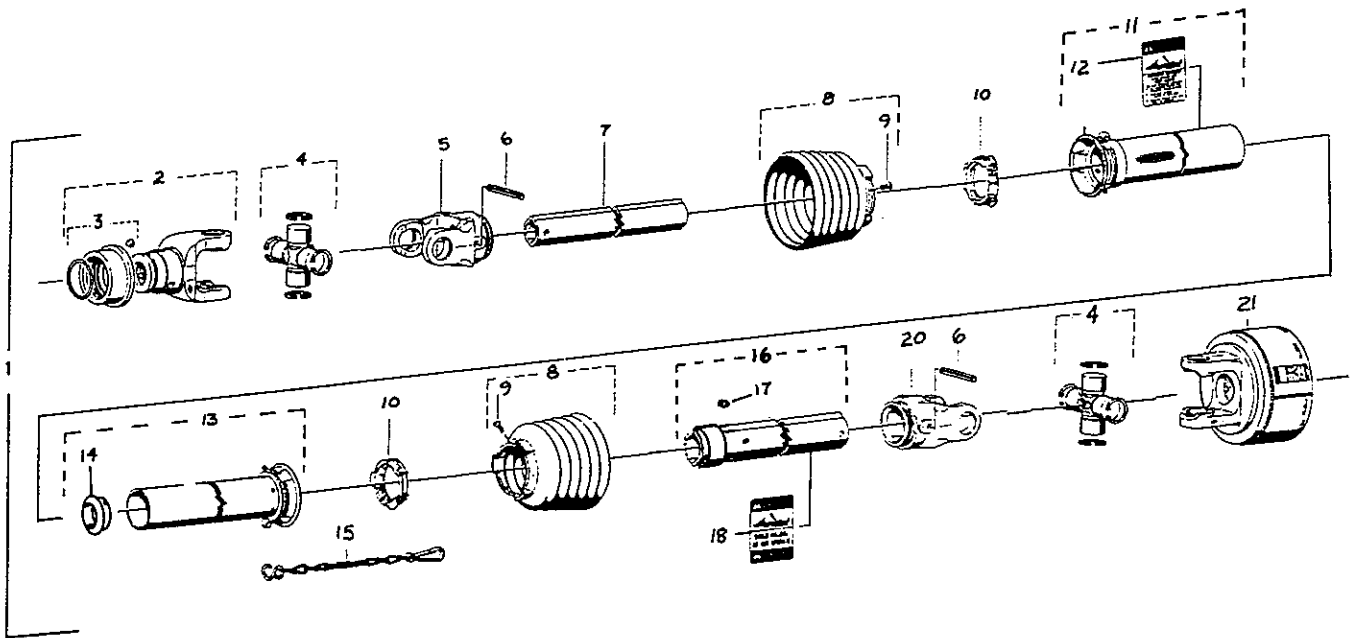
REF	PART NO	QTY	DESCRIPTION
1	172-194	1	Wide Angle PTO Drive Shaft W/Shielding (540 RPM)
1	172-211	1	Wide Angle PTO Drive Shaft W/Shielding (1000 RPM)
2	172-222	1	Male Wide Angle Half Shaft W/Shielding (540 RPM)
2	172-404	1	Male Wide Angle Half Shaft W/Shielding (1000 RPM)
3	172-200	1	End Yoke (540 RPM)
3	172-203	1	End Yoke (1000 RPM)
4	172-028	1	Quick Disconnect Kit
5	172-204	2	Cross & Bearing Kit
6	172-202	1	CV Double Yoke
7	172-208	1	Grease Zerk
8	172-201	1	Inboard Yoke
9	171-983	1	Spring Pin
10	172-196	1	Inner Profile
11	172-205	1	CV Cone & Bearing Assembly Mtg Hrd: #172-210 Screw (2 ea)
12	172-206	1	Shield Cone; Three Rib Mtg Hrd: #172-210 Screw (3 ea)
13	171-979	1	Bearing Ring
14	172-199	1	Outer Shield Tube W/Cap
15	171-550	1	Decal; Danger - Rotating Driveline
16	172-227	1	Decal; Lubrication Requirements
17	172-223	1	Female Half Shaft With Shielding
18	172-207	1	Support Bearing
19	172-198	1	Inner Shield Tube W/Cap
20	171-979	1	Bearing Ring
21	172-030	1	Shield Cone; Six Rib Mtg Hrd: #172-210 Screw (3 ea)
22	172-197	1	Outer Profile & Sleeve
23	172-209	1	Grease Zerk
24	171-799	1	Decal; Danger, Shield Missing...
25	172-033	1	Inboard Yoke
26	171-983	1	Spring Pin
27	171-980	1	Cross & Bearing Kit
28	172-040	1	Safety Chain
29	***-***	1	Friction Clutch, Can't Be Purchased Assembled
30	172-037	1	Clutch Housing
31	172-038	1	Ring
32	172-036	1	Hub & Drive Plate
33	171-977	4	Friction Disk
34	171-976	1	Drive Plate
35	171-975	1	Drive Plate
36	171-974	1	Spring Pack
37	171-978	1	Setting Ring
38	172-029	1	Quick Disconnect Flange Kit

24-B

A \* following a part number (XXX-XXX\*) indicates that the part is no longer used in production for this application. Superscript letters (XXX-XXX<sup>^</sup>) refer to footnotes and/or illustration boxes.

PTO DRIVELINE & FRICTION CLUTCH

RA2375/2450-TOW DR020591



PTO DRIVELINE & FRICTION CLUTCH

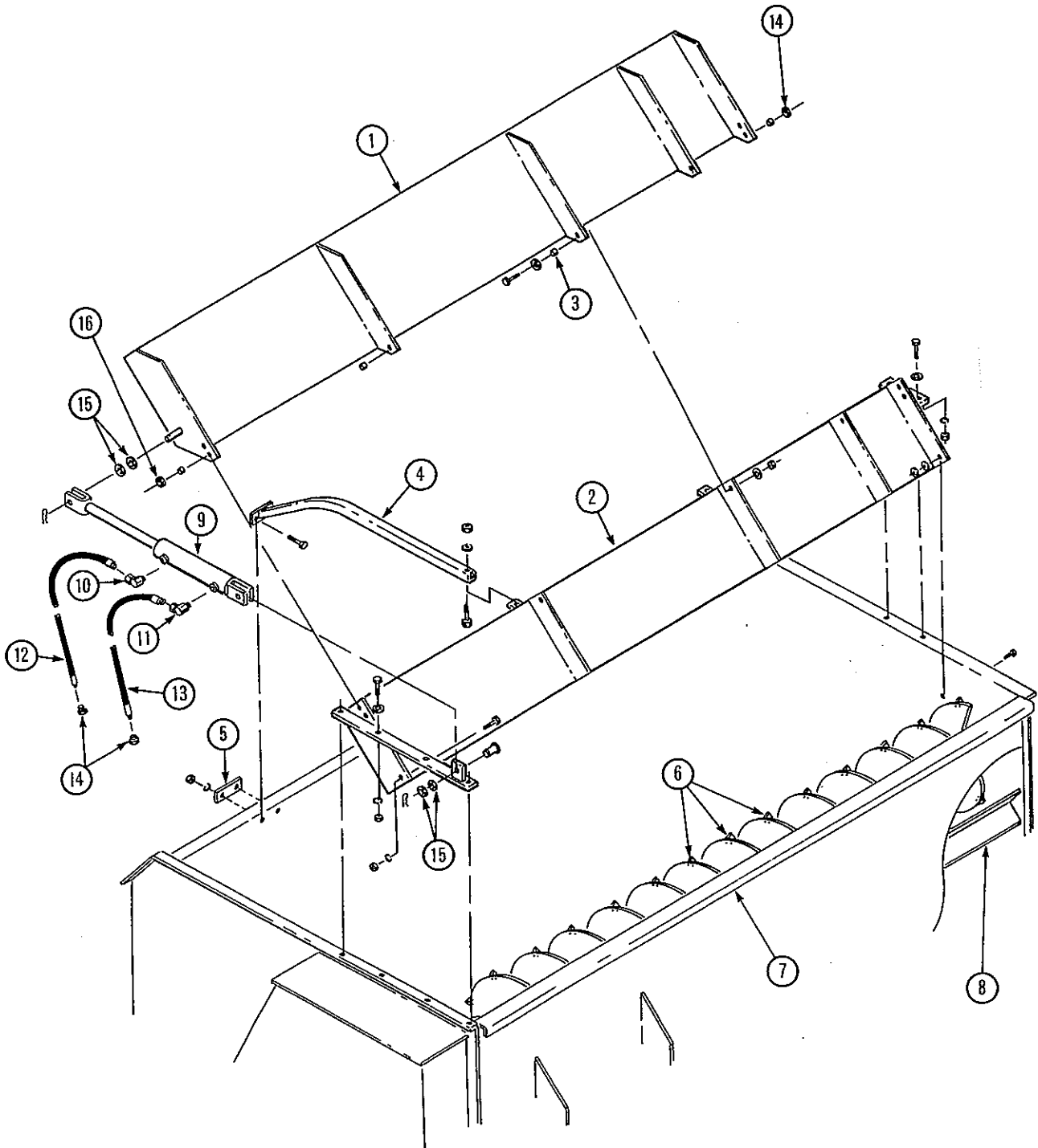
RA2375/2450-TOW DR020591

This PTO Was Used Before S/N 2375-185 & S/N 2450-200

REF	PART NO	QTY	DESCRIPTION
1	171-970*	1	PTO Driveline Assy (540 RPM)
1	171-971*	1	PTO Driveline Assy (1000 RPM)
2	172-034*	1	6 Spline Yoke & Slide Collar (540 RPM)
2	172-035*	1	21 Spline Yoke & Slide Collar (1000 RPM)
3	172-028*	1	Slide Collar Kit
4	171-980*	2	Cross & Bearing Kit
5	172-039*	1	Inner Inboard Yoke
6	171-983*	2	Spring Pin
7	171-981*	1	Inner Profile Tube
8	172-030*	2	Shield Cone
9	172-210*	1	Screw
10	171-979*	2	Shield Bearing
11	172-032*	1	Outer Shield Tube W/Cap
12	171-550*	1	Outer Danger Decal
13	172-031*	1	Inner Shield Tube W/Cap
14	172-207*	1	Support Bearing
15	172-040*	1	Safety Chain
16	171-982*	1	Outer Profile Tube
17	172-209*	1	Zerk
18	171-799*	1	Inner Danger Decal
20	172-033*	1	Inboard Yoke
21	***-***	1	Friction Clutch; Can't Be Purchased Assembled
22	172-037*	1	Housing
23	172-038*	1	Ring
24	171-977*	4	Friction Disc
25	172-036*	1	Hub Assembly
26	171-976*	1	Drive Plate
27	171-975*	1	Drive Plate
28	171-974*	1	Spring Pack
29	171-978*	1	Setting Ring
30	172-029*	1	Flange Quick Detach Kit

25-B

A \* following a part number (XXX-XXX\*) indicates that the part is no longer used in production for this application. Superscript letters (XXX-XXX<sup>A</sup>) refer to footnotes and/or illustration boxes.



KNIGHT MANUFACTURING CORP. PO BOX 167 BRODHEAD, WI 53520

OFFICE: (608) 897-2131 PARTS/SERVICE: (608) 897-2125 FAX: (608) 897-2561

HAY-MAX KIT PARTS

2375/2450 TOW DR060493

REF	PART NO	QTY	DESCRIPTION
	300-036 <sup>A</sup>	1	Hay-Max Retro Fit Kit (2375)
	300-037 <sup>A</sup>	1	Hay-Max Retro Fit Kit (2450)
1	102-016	1	2375 Upper Attachment
	102-018	1	2450 Upper Attachement Mtg Hrd: 1/2" x 1-1/2" Bolt, LN (4), 1/2" FW (8)
2	102-021	1	2375 Lower Attachment
	102-023	1	2450 Lower Attachment Mtg Hrd: 1/2" x 1-1/4" Bolt, LW & Nut (7); 1/2" x 1-1/2" Bolt, LW & Nut (1)
3	134-771	4	Pivot Bushing
4	102-022	2	Bucket Guard Mtg Hrd: 1/2" x 3" Bolt, LW & Nut (1); 3/8" x 1-1/4" Bolt, LW & Nut (2)
5	134-012	2	Bucket Guard Mount
6	133-835	67	2375 Auger Knife Mtg Hrd: 1/4" x 3/4" Bolt, LW & Nut (2 ea Knife)
		84	2450 Auger Knife Mtg Hrd: 1/4" x 3/4" Bolt, LW & Nut (2 ea Knife)
7	134-693	2	U-Channel (2375)
	134-694	2	U-Channel (2450)
8	134-736	2	Shear Angle (2375)
	134-737	2	Shear Angle (2450)
9	172-441	1	Hydraulic Cylinder; 2" Dia. x 10" Stroke Seal Kit Order 172-446
10	171-030	1	90° Swivel Adapter; 3/8"
11	171-723	1	90° Swivel Restrictor; 3/8"
12	170-468	1	Hydraulic Hose; 1/4" x 162"
13	170-471	1	Hydraulic Hose; 1/4" x 170"
14	170-235	2	Reducer Fitting; 1/2" To 3/8"
15	170-122	A/R	Spacer Washer; 1" SAE Flat
16	172-445	2	1/2" Flat Washer
	172-442	1	Electric Switching Valve (Optional) Mounted On Tractor

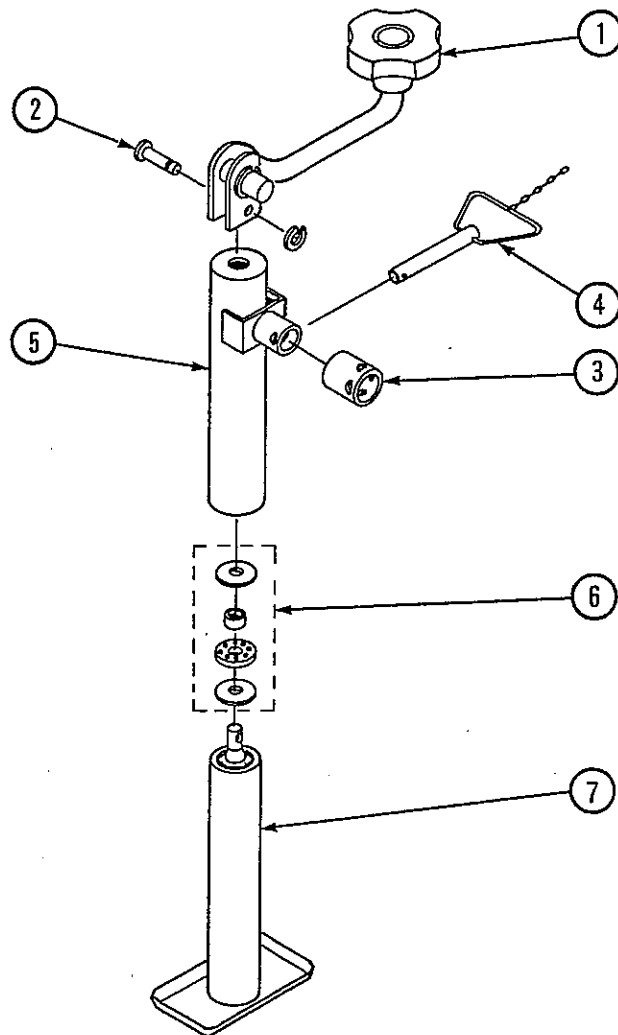
A: Hay-Max Retro Fit Kit for 2000 series mixers will require upper auger assy to be reflighted or replaced. Auger parts are not included as part of Hay-Max Kit and must be ordered separately as required by customer. See Reel and Auger section for auger parts.

Hydraulically powered Hay-Max Kit is optional and is not included in Retro-Fit Kit. Hydraulic option is ordered separately.

JACKSTAND

RA2375/2450-TOW DR

REF	PART NO	QTY	DESCRIPTION
	170-984	1	Jackstand Assy
1	170-386	1	Crank Assy
2	171-860	1	Crank Pin (Includes "C" Washer)
3	170-985	1	Mount Tube
4	170-987	1	Pin And Chain Assy
5	170-986	1	Outer Tube
6	170-397	1	Thrust Bearing Kit
7	171-941	1	Inner Tube Assembly (Includes Nut & Screw)

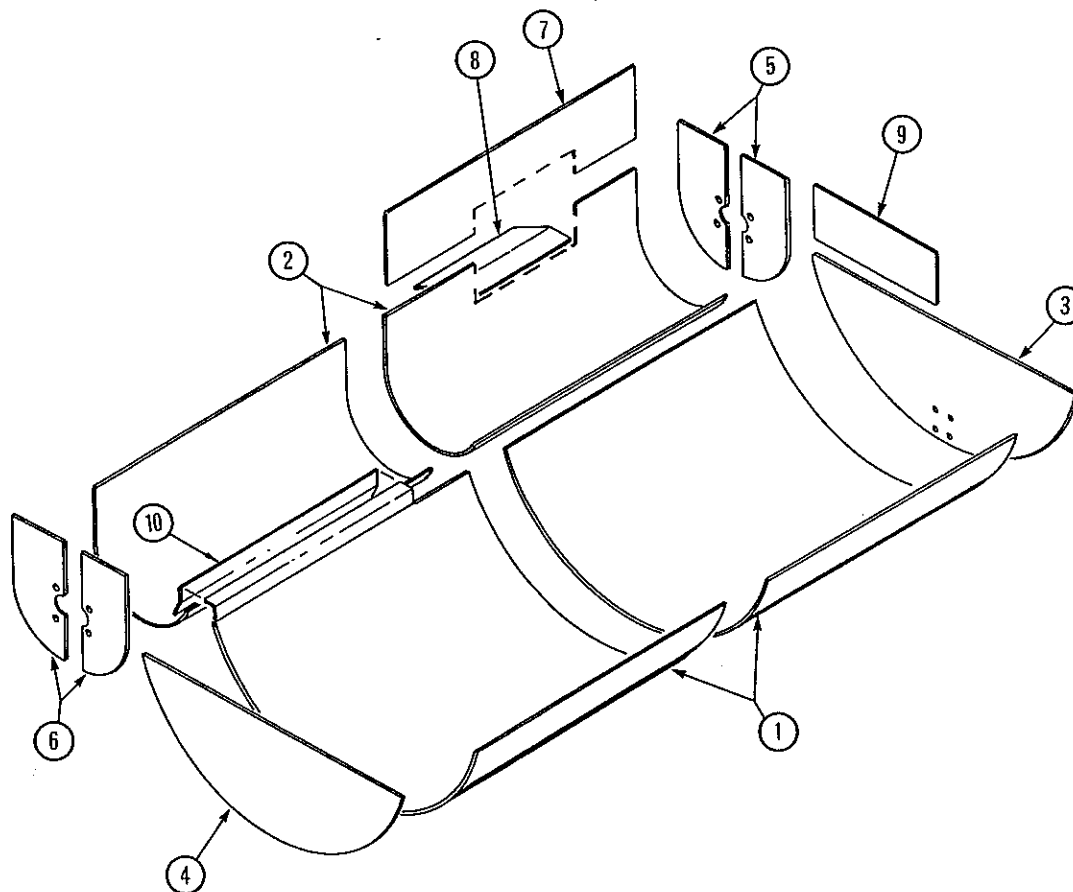


KNIGHT MANUFACTURING CORP. PO BOX 167 BROADHEAD, WI 53520  
OFFICE: (608) 897-2131 PARTS/SERVICE: (608) 897-2125 FAX: (608) 897-2561

REPAIR LINER PARTS

RA2375/2450-TOW DR020593

REF	PART NO	QTY	DESCRIPTION
1	134-722	2	Reel Liner (2375 Only)
	134-724	2	Reel Liner (2450 Only)
2	134-723	2	Auger Liner (2375 Only)
	134-725	2	Auger Liner (2450 Only)
3	134-718	1	Reel End Panel (Front)
4	134-719	1	Reel End Panel (Rear)
5	134-720	1	Auger End Liner (Front) Part Number Includes Both Left & Right Halves
6	134-721	1	Auger End Liner (Rear) Part Number Includes Both Left & Right Halves
7	134-704	1	Upper Door Liner
8	134-716 <sup>A</sup>	1	Door Opening Liner
9	134-717	1	Upper Reel End Liner
10	102-003	2	Shear Bar (2375)
10	102-004	2	Shear Bar (2450)
	00518	A/R	Repair Liner Installation Instructions



A: Door opening liner will have to be trimmed on units between Serial Numbers 055 to 202 (2375 Only), 050-243 (2450 Only).

An asterisk (\*) at the end of a part number (XXX-XXX\*) indicates that the part is no longer used in production for this application. Superscript letters (XXX-XXX<sup>A</sup>) refer to footnotes and/or illustration boxes.

DECAL & PAINT LIST

RA2375/2450-TOW DR122892

The following decals are listed below for your convenience.  
Use the operator's manual for decal location, part number and ordering.

Unit Decals:

PART NO	QTY	DESCRIPTION
172-000	1	Set Of Decals - RA2375
172-001	1	Set Of Decals - RA2450
170-154	2	"KNIGHT"
170-155	2	Knight Head
170-490	1	Important - Reduce Engine Speed . . .
170-849	3	WARNING - Beware of Power Driven . . .
170-893	1	Slow Moving Vehicle Decal
171-712	1	NOTICE - Retighten Set Screws . . .
171-748	1	Door Gauge
171-820	4	DANGER - Rotating Auger Inside . . .
171-905	2	"REEL AUGGIE"
171-908	2	"2375" For RA2375 Only
171-909	2	"2450" For RA2450 Only
171-911	1	Operating Precautions
171-913	1	WARNING - Do Not Operate . . .
171-915	2	DANGER - Shield Missing . . .
171-916	2	DANGER - Rotating Driveshaft . . .
171-947	4	DANGER - Do Not Hand Load . . .
171-948	1	BEWARE - If Mixer . . .
171-949	1	"U.S. Patent No. . . ."
171-992	2	Red Reflector
171-993	1	Friction Clutch Operation
172-238	1	CAUTION - Read Operator's Manual
172-292	1	Full Line

Power Chute and Slide Tray Decals:

171-914	2	WARNING - Stay Clear Of Chute . . .
171-991	1	Decal; Amber Reflector
171-992	1	Decal; Red Reflector

PTO Driveline Decals:

171-550	1	DANGER - Rotating Driveline
171-799	1	DANGER - Shield Missing
171-599	1	Do Not Exceed 540 RPM . . . 540 RPM Only
171-609	1	Do Not Exceed 1000 RPM . . . 1000 RPM Only

Paint:

170-366	Knight Yellow Aerosol Can
170-812	Knight Yellow Quart Can
170-813	Knight Yellow Gallon Can
170-367	Knight Red Aerosol Can
170-814	Knight Red Quart Can
170-815	Knight Red Gallon Can

KNIGHT MANUFACTURING CORP. PO BOX 167 BRODHEAD, WI 53520  
OFFICE: (608) 897-2131 PARTS/SERVICE: (608) 897-2125 FAX: (608) 897-2561

OPTIONAL KITS

RA2375/2450-TOW DR122892

**Safety Chain for Towed Equipment      P/N 172-195**

This chain is designed to retain the connection between towing and towed machines, in the event of separation of the primary attaching system. It should be utilized whenever the unit is on the highway.

**Light Kit For Towed Equipment**

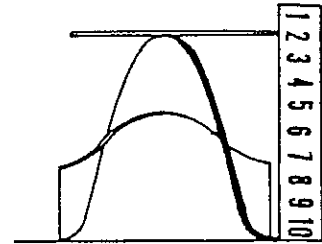
This light kit is designed for lighting and marking of agricultural field equipment whenever the equipment is on a highway. This kit is pre-assembled, and it includes mounting hardware.

PART NO	QTY	DESCRIPTION
300-007		1 Complete Light Kit - Assembled
172-173	2	Red And Amber Light Assembly
172-174	25'	4 Conductor Wire
172-175	1	4 Pin In-Line Connector (Male & Female)
Options:		
172-110	1	7 Pin Female Connector

FLIGHTING TERMS AND DIMENSIONS

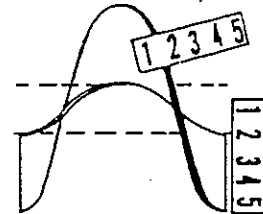
RA2375/2450-TOW DR122892

**OUTSIDE DIAMETER:** Outside diameter can be determined by laying the flight on a flat surface and measuring from the top to the base.  
**NOTE:** Dimensions may vary slightly.

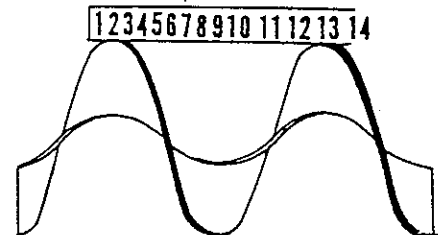


**THICKNESS:** Thickness of flighting can be determined with any linear measuring instrument.

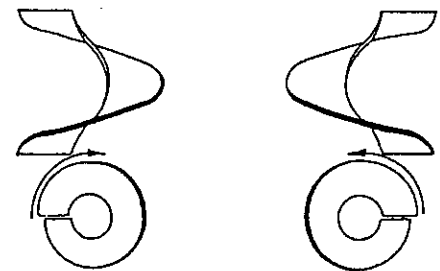
**INSIDE DIAMETER:** To find the inside diameter of flight, measure the distance from the inside of the flight to the peak. Then multiply the dimension by two and subtract the answer from the outside diameter dimension.



**PITCH:** Pitch is the dimension from one peak to the next, measured along the axis of the shaft. The term full pitch means that the outside diameter and the pitch are the same.



**RIGHT HAND AND LEFT HAND FLIGHTING:** As you look at the face of flighting and it is slanting downward to the right; it is right hand and if it is slanting downward to the left; it is left hand.



Flighting dimensions are written in a series similar to the following:

1/4" - 4" - 14" - 14"  
Thick - I.D. - O.D. - Pitch

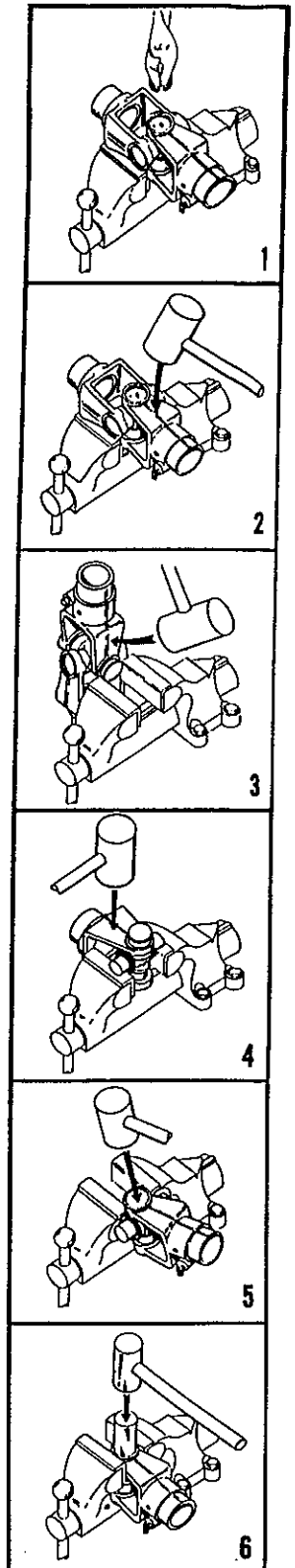
DISASSEMBLY PROCEDURE:

1. Remove the four snap rings as shown in Figure #1.
2. Position the joint in an open vise, with each ear of one yoke supported by a vise jaw. Figure #2
3. With a soft hammer or mallet, strike the top ear of the unsupported yoke as indicated by the arrow in Figure #2. This will drive the top bushing outward approximately 3/8 of an inch.
4. Grip the loosened bushing in the vise as shown in Fig. #3. Drive the yoke off the bushing by striking the yoke ear with a mallet in the direction of the arrow. (Fig. #3)
5. This same procedure should be followed to remove the bushing that is directly opposite the one in Step 4. After this, the yoke itself may be removed.
6. To remove the remaining two bushings, support the cross as shown in Figure #4. Make certain that the vise jaws are covered with brass protectors. By striking the yoke ear as indicated by the arrow in Figure #4, the remaining bushings can be removed by repeating the procedure called for in Step 4 & Figure #3.

ASSEMBLY PROCEDURE:

DURING REASSEMBLY, BE SURE THAT THERE IS NO DIRT ON THE TRUNNIONS OF THE CROSS OR IN THE BUSHINGS!

1. Start one bushing in the yoke ear and position the center cross through the yoke. Drive the first bushing down flush with the outside surface of the ear as shown in Fig. #5. Support the underside of the ear so as not to spring the yoke.
2. Clamp the ear in the vise as shown in Figure #6. Use a punch of the same diameter as the bushing, drive the bushing past the snap ring groove, and insert a snap ring.
3. Position the cross and drive in the opposite bushing as described in Steps 1 & 2, and Insert a snap ring.
4. Assemble the second yoke in the same manner.
5. To insure proper seating, and to eliminate any possible tightness, strike the forged surfaces of the yoke ears with a mallet. This will insure a free flexing joint.
6. Lubricate with a good grade of multipurpose grease.



HARDWARE PART NUMBER LISTING

RA2375/2450-TOW DR122892

All hex head bolts up to and including 7/16" dia are grade 5 unless otherwise specified. All fasteners are NC thread unless otherwise specified.

<u>Size</u>	<u>Hex Nuts</u>	<u>Locknuts</u>	<u>Jam Nuts</u>	<u>Flt Wsh.</u>	<u>Lk Wsh.</u>
#10	171-606			171-525	171-605
1/4	170-125	170-069		170-301	170-124
5/16	170-119	170-028		170-127	170-118
3/8	170-007	170-047	170-022	170-244	170-006
7/16	170-062	170-239	170-046	170-138	170-061
1/2	170-004	170-042	170-036	170-040	170-003
5/8	170-011	170-031	170-037	170-066	170-010
3/4	170-017	170-185	170-035	170-015	170-016
7/8				170-131	172-003
1				170-122	171-021

HEX HEAD BOLTS

<u>Bolt Size</u>	<u>Part No</u>	<u>Bolt Size</u>	<u>Part No</u>	<u>Bolt Size</u>	<u>Part No</u>
1/4 x 3/4	170-803	3/8 x 3	170-380	5/8 x 1-3/4	170-030
1/4 x 7/8	171-094	3/8 x 3-1/2	170-292	(Tap Bolt - Grade 5)	
1/4 x 1	170-310	3/8 x 4	170-877	5/8 x 2	170-009
1/4 x 1-1/2	170-068	3/8 x 4-1/2	170-519	(Grade 5)	
1/4 x 2-3/4	171-203	3/8 x 5	170-493	5/8 x 2	171-772
1/4 x 3	171-403	3/8 x 5-1/2	170-593	(Tap Bolt)	
5/16 x 5/8	170-532	3/8 x 6-1/2	171-291	5/8 x 2-1/2	170-129
5/16 x 3/4	170-262	7/16 x 3/4	170-265	(Tap Bolt)	
5/16 x 7/8	170-256	7/16 x 1	170-032	5/8 x 3	170-258
5/16 x 1	170-027	7/16 x 1-1/4	170-354	5/8 x 3-1/2	170-038
5/16 x 1-1/4	170-188	7/16 x 1-1/2	170-059	5/8 x 4	170-371
5/16 x 1-1/2	170-372	7/16 x 2	170-356	5/8 x 4-1/2	170-067
5/16 x 1-3/4	170-263	7/16 x 2-1/2	170-379	5/8 x 5	170-065
5/16 x 2	170-376	7/16 x 3	170-270	5/8 x 6	170-381
5/16 x 2-1/2	170-369	7/16 x 5-1/2	170-377	5/8 x 9-1/2	171-039
5/16 x 3	170-295	7/16 x 6	170-378	3/4 x 2	170-058
5/16 x 3-1/4	171-639	1/2 x 3/4	171-252	3/4 x 2-1/4	171-275
5/16 x 4	170-293	1/2 x 1	170-149	3/4 x 2-1/2	170-374
(Tap Bolt)		1/2 x 1-1/4	170-373	3/4 x 3	170-014
5/16 x 4-1/2	170-294	1/2 x 1-1/2	170-002	3/4 x 3-1/2	170-195
3/8 x 3/4	170-439	1/2 x 2	170-050	3/4 x 4	170-419
3/8 x 7/8	170-268	1/2 x 2-1/2	170-319	3/4 x 4-1/2	170-846
3/8 x 1	170-054	1/2 x 3	170-168	(Grade 5)	
3/8 x 1-1/4	170-005	1/2 x 4	171-509	3/4 x 6	171-116
3/8 x 1-1/2	170-368	1/2 x 4-1/2	171-573	(Grade 5)	
3/8 x 2	170-245	1/2 x 5	171-412		
3/8 x 2-1/4	170-320	5/8 x 1 (G.5)	171-087		
3/8 x 2-1/2	170-257	5/8 x 1-1/4	171-366		

KNIGHT MANUFACTURING CORP. PO BOX 167 BROADHEAD, WI 53520

OFFICE: (608) 897-2131 PARTS/SERVICE: (608) 897-2125 FAX: (608) 897-2561

HARDWARE LISTING CONTINUED

RA2375/2450-TOW DR122892

TRUSS HEAD BOLTS

<u>Bolt Size</u>	<u>Part No</u>
#8 x 1-1/2	171 - 210
#10 x 3/4	171 - 604
1/4 x 1/2	170 - 123
1/4 x 3/4	170 - 193
1/4 x 1	170 - 194
5/16 x 1 (Grade 5)	170-117

CARRIAGE BOLTS

<u>Bolt Size</u>	<u>Part No</u>
1/4 x 1-1/2	170 - 355
1/4 x 2-1/2	171 - 394
1/4 x 3	170-509
5/16 x 1	170 - 370
5/16 x 2-1/2	171 - 395
5/16 x 5-1/2	170 - 494
3/8 x 3-1/2	171 - 283
3/8 x 4-1/2	170 - 191
3/8 x 5	170-495
3/8 x 6-1/2	171-174
3/8 x 8	170-297
1/2 x 6-1/2	171-098
1/2 x 9	171-255

ZERKS

<u>Size</u>	<u>Part No</u>
1/4-28	170-023
1/4-28 - 45	170-148
1/4-28 - 90	170-049
1/4 NPT	170-277
1/8 NPT	170-865
1/8 NPT-45	170-864
1/8 NPT-65	170 - 215
1/8 NPT-90	170-866

COTTER PINS

<u>Size</u>	<u>Part No</u>
1/16 x 1/2	170-992
3/32 x 3/4	170-364
1/8 x 3/4	170-177
1/8 x 1	170-045
1/8 x 1-1/4	170-033
1/8 x 1-1/2	170-382
5/32 x 1	170-421
5/32 x 1-1/2	170-236
5/32 x 3	170-135
3/16 x 1-1/4	170-991
3/16 x 2	170-115
1/4 x 1-1/2	170-521
1/4 x 2	170-056

SET SCREWS

<u>Size</u>	<u>Part No</u>
1/4 x 1/4 NC	170-247
5/16 x 5/16NC	170-248
5/16 x 1/2 NC	170-254
5/16 x 1/4 NF	170-993
5/16 x 5/16NF	170-825
5/16 x 5/8 NF	170-456
3/8 x 1/4 NC	170-856
3/8 x 3/8 NC	170-151
3/8 x 1/2 NC	170-857
(nylock)	
3/8 x 3/4 NC	170-289
(sq head)	
3/8 x 3/4 NC	170-290
(sq hd drilled)	
3/8 x 1 NC	170-021
3/8 x 1/2 NF	171-469
7/16 x 7/16NC	170-288
7/16 x 1 NC	170-147
(sq head)	
1/2 x 5/8 NC	170-249
1/2 x 1 NC	170-438
1/2 x 1-1/4NC	171-085
(half dog point)	
5/8 x 5/8 NC	170-250

ROLLER CHAIN  
CONNECTOR LINKS

<u>Size</u>	<u>Part No</u>
#50-2R	170-094
#50	170-088
#60-2R	170-095
#60	170-089
#60H	171-102
#80	170-090
#80H	170-821
#100	170-091
#100H	171-969
#120	170-092
#140	170-093
#160	170-888

OFFSET LINKS

<u>Size</u>	<u>Part No</u>
#50	170-096
#60-2R	170-103
#60	170-097
#80	170-098
#80H	170-820
#100	170-099
#120	170-100
#140	170-101
#160	170-887

ROLLER LINKS

<u>Size</u>	<u>Part No</u>
#50	171-415
#60	171-416
#80	171-417
#80H	170-795
#120	171-419
#140	171-420

PART NUMBER INDEX

RA2375/2450-TOW DR122892

<u>PART NO.</u>	<u>PAGE</u>	<u>PART NO.</u>	<u>PAGE</u>	<u>PART NO.</u>	<u>PAGE</u>
101-227	15	133-546	5	12,13,15,17	
101-231	15	133-552	7	170-235	16
101-232	15			170-236	12
101-233	15	133-535	9,11	170-244	5
101-337	3	133-924	12	170-365	3,7
101-390	19	133-942	15		
101-502	19	133-943	15	170-366	27
101-722	12	133-951	13,15	170-367	27
101-734	15	133-952	15	170-386	26
101-737	15	133-973	23	170-397	26
101-738	15	133-976	23	170-415	21
101-739	15	133-977	12	170-465	16,17
101-741	23	133-978	12	170-468	12,13
101-742	19,23	134-012	7	170-471	12,13
101-747	13	134-019	3	170-479	13
101-761	7	134-020	3	170-490	27
101-763	9	134-021	3	170-513	17
101-764	9	134-022	3	170-518	3
101-765	11	134-023	7	170-800	3,7
101-766	9,11	134-024	7	170-812	27
101-767	9,11	134-086	7	170-813	27
101-774	9	134-095	9,11	170-814	27
101-775	11	134-096	9,11	170-815	27
101-776	9,11	134-097	9,11	170-845	3,7
101-777	9,11	134-098	9,11	170-849	27
101-778	9	134-099	9,11	170-859	15
101-779	11	134-108*	3	170-861*	15
101-780	9	134-112	11	170-865	5,15,23
101-781	9	134-117	5	170-893	27
101-782	11	134-123	9,11	170-917	23
101-783	11	134-124	9	170-918	23
101-784	11	134-125	3	170-919	23
101-786	7	134-155	3	170-920	23
101-787	7	134-158	9,11	170-921	23
101-789	23	134-352	9,11	170-922	23
101-790	23	134-362	3	170-923	23
101-791	16,17	134-366	5	170-924	23
101-802	9	134-367	9,11	170-925	23
101-803	9	134-368	9,11	170-926	23
101-804	11	170-008	7	170-927	23
101-814	7	170-053	3	170-928	23
101-815	11	170-056	23	170-929	23
101-817	3	170-073	12	170-941	12,13
101-818	3	170-074	12,15	170-947	13
101-835	21	170-075	12,13,15	170-984	23,26
101-891	16	170-110	15	170-985	26
131-894	5	170-115	13,15	170-986	26
131-895	5	170-122	15	170-987	26
132-701	15	170-142	7	171-030	12,13,15,17
132-749	15	170-152	3,7	171-048	7
132-756	15	170-154	27	171-049	7
133-277	3	170-161	15		
133-378	19	171-170	3		
133-445	12	170-235			