

REEL AUGGIE 3375/3450

Tow Type

SERVICE PARTS LISTING

TABLE OF CONTENTS

Using This Listing	1
Front End Parts	2-5
Rear End Parts	6-7
2-Spider Reel & Auger Parts (3375)	8-9
2-Spider Reel & Auger Parts (3450)	10-11
3-Spider Reel Parts (3375 & 3450)	12-13
Door Parts	14
Slide Tray	15
Power Chute	16-17
Selector Valve - Slide Tray	18
Diverter Valve - Power Chute	19
Eaton Scale Parts	20-21
J-Star Scale Parts	22-23
Undercarriage	24-25
PTO Driveline & Friction Clutch (Waltersheid)	26-27
PTO Driveline & Ball Shear Clutch (Weasler)	28-33
Hay-Max Kit Parts	34-35
Jackstand	36
Repair Liner Parts	37
Decal & Paint List	38
Optional Kits	39
Flighting Terms & Dimensions	40
Universal Joint Repair	41
Hardware Listing	42-43
Part Number Index	44-45

ABBREVIATIONS

3375/3450-TOW

Assy	Assembly
A/R	As Required
B	Bolt
Brg	Bearing
BSN	Before Serial Number
BTM	Bottom
C Bolt	Carriage Bolt
Cttr	Cotter
CV	Constant Velocity (Joint)
Dia	Diameter
ea	Each
Eq or Equiv	Equivalent
FLN	Flanged Lock Nut
FW	Flat Washer
Ga	Gauge
Gr or Grd	Grade
Hd	Head
Hyd	Hydraulic
ID	Inside Diameter
Ill or Illus	Illustration
Ind	Indicator
KW	Keyway
LH	Left Hand
LW	Lock Washer
Mtg Hrd	Mounting Hardware
NC	National Coarse
NF	National Fine
OD	Outside Diameter
Pc(s)	Piece(s)
PD	Pitch Diameter
PTO	Power Takeoff (Shaft)
Q or Qty	Quantity
Reg Mach	Regular Machine
RH	Right hand
SN	Serial Number
Sprkt	Sprocket
Sq	Square
Std	Standard
UASN	Used After Serial Number
UBSN	Used Before Serial Number

USING THIS SERVICE PARTS LISTING

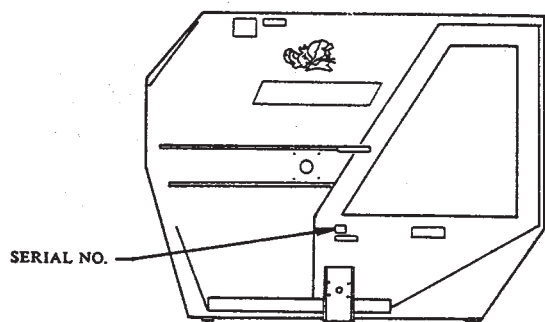
3375/3450-TOW

This listing uses a number indentation system to specify the parts of an assembly. Any number which is indented to the right, indicates that it is a component of the item to the upper left. Example:

<u>Part no</u>	<u>Description</u>	<u>Qty</u>
uuu-uuu	Assembly A	2
vvv-vvv	Sub-Assembly B (Component of A)	3
www-www	Component of B	5
xxx-xxx	Another Com- ponent of B	1
yyy-yyy	Sub-Assembly C (Component of A)	1
etc.		

Using this system, the sub-assemblies and their components are included if an **Assembly** is ordered. Similarly, the components of a sub-assembly are included if a sub-assembly is ordered.

The quantity (qty) associated with an assembly, represents the number of times an assembly could be shown in the drawing. The sub-assembly quantity however, is the number of times a sub-assembly is used to build one assembly. Similarly, the component quantity refers to the number of times a given component is found in one sub-assembly.



Serial Number Location
Front View
Figure A

MODEL AND SERIAL NUMBER INFORMATION is located below the drive shielding (Fig. A). The model number, serial number and part number should be known when asking service personnel for parts.

If you cannot find the part you need, be as descriptive as possible when placing an order:

Sprockets: give the bore size, number of teeth, and number and size of keyways.

Roller chain: give the size of chain (stamped on the side of each link) and number of links.

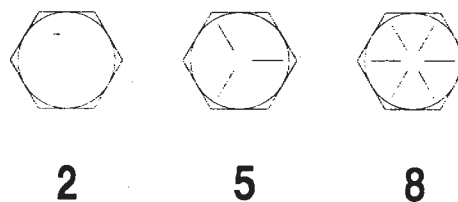
Shafting: give the diameter, length, and number and size of keyways.

Hardware is generally not included with parts. If you need any hard-ware, check the size, the length, and the grade (Fig. B), then check the hardware list in this manual for the part numbers. **All hex head bolts up to and including 7/16" diameter are grade 5, and nuts are grade B unless otherwise stated.**

The hardware listing also includes listings for zerks, cotter pins, set screws, and roller chain links.

The illustrations in this manual are meant to be used only as a guide for identifying parts and locating their relative positions.

BOLT GRADES



Bolt Head Grade Markings
Figure B

An asterisk (*) at the end of a part number (XXX-XXX*) indicates that the part is no longer used in production for this application. Superscript letters (XXX-XXX[^]) refer to footnotes and/or illustration boxes.

FRONT END PARTS

3375/3450-TOW R020196

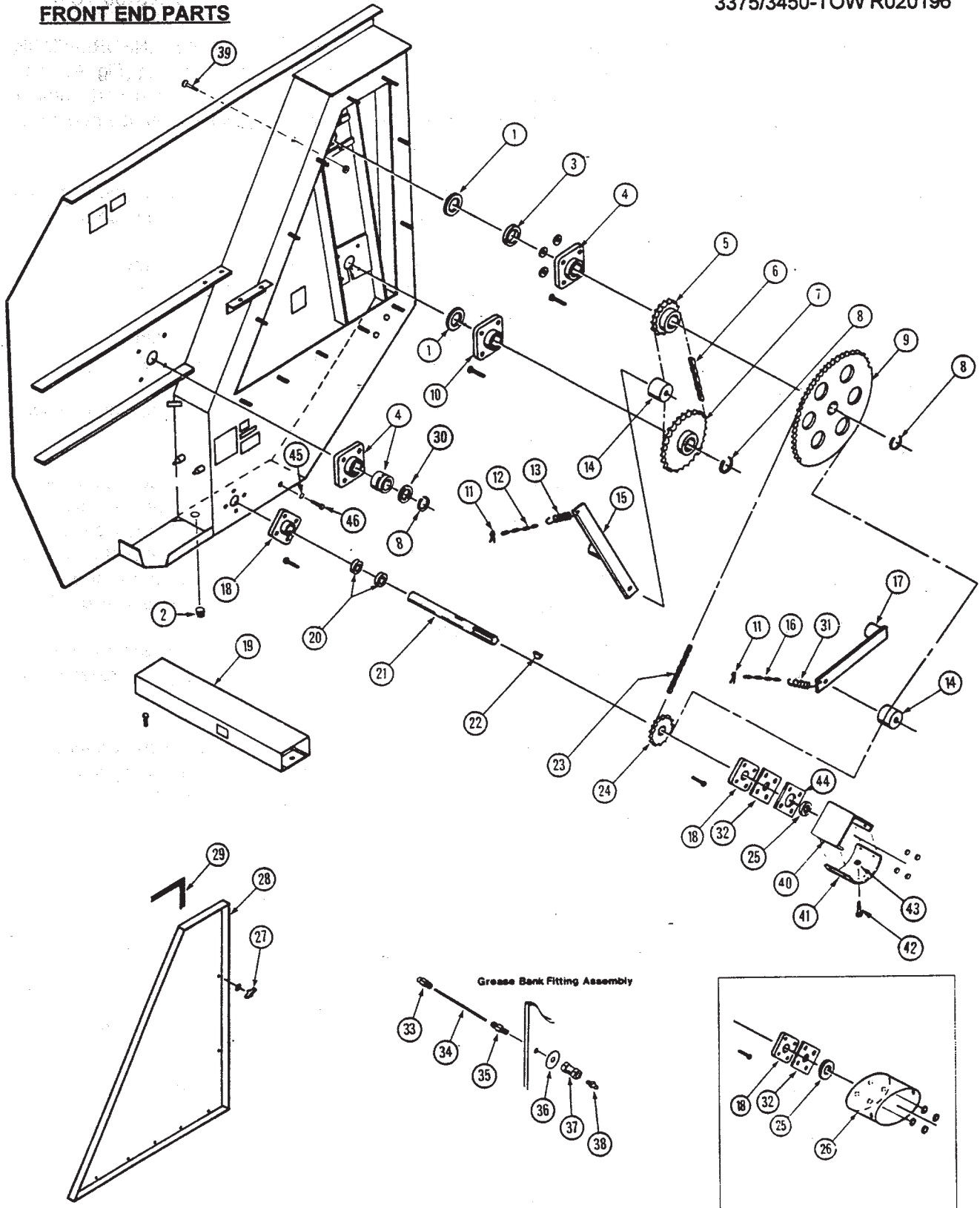


Illustration box "C" PTO shield used before serial number (3375-263), (3450-537).

KNIGHT MANUFACTURING CORP. PO BOX 167 BROADHEAD, WI 53520
OFFICE: (608) 897-2131 PARTS/SERVICE: (608) 897-2125 FAX: (608) 897-2561

FRONT END PARTS

3375/3450-TOW R081996

REF	PART NO	QTY	DESCRIPTION
1	133-277	2	Seal; 2-1/2" ID x 3-1/2" OD
2	171-919	1	Drain Plug; 1-1/4", PVC
3	134-125	1	Pipe; Seal Spacer, 2-1/2" Dia x 1/2" Long
4	102-261 ^B	1	Bearing Assembly; 2-1/2"; Mtg Hrd: 5/8" x 1-1/4" Bolt, Lw, Nut
	135-704 ^B	1	Plastic Bearing Sleeve
4	170-053 ^B	1	Bearing; 2-1/2", FYH UCF X13-40E L-III, Mtg Hrd: Top Auger: 5/8" x 2-1/2" B, FW, LW & Nut (4 ea)
5	134-960	1	Sprocket; 100-B-17, 2-1/2" Splined Hub
5	134-021 ^A	1	Sprocket; 100-B-15, 2-1/2" Splined Hub
6	172-493	1	Roller Chain; 100-1-68P W/Connector Link
6	171-987 ^A	1	Roller Chain; 100-1-62 Pitch, W/Connector Link
7	134-961	1	Sprocket; 100-B-40, 2-1/2" Splined Hub
7	134-022 ^A	1	Sprocket; 100-B-30, 2-1/2" Splined Hub
8	170-152	3	Snap Ring; 2-1/2", Truarc 5100-250 Or Equiv
9	134-019	1	Sprocket; 80-B-60, 2-1/2" Splined Hub (540 RPM)
9	134-020	1	Sprocket; 80-B-85, 2-1/2" Splined Hub (1000 RPM)
10	170-365	1	Bearing; 2-1/2", PTC F-B22440E Or Equiv Mtg Hrd: 5/8" x 2" Bolt, LW & Nut (4 ea)
11	170-800	2	Clinch Pin
12	171-045	1	Chain; #4 Machine x 22 Links
13	172-006	1	Spring; 4-5/8" Long
14	134-155	2	Chain Tightener Block; Mtg Hrd: 1/2" x 2-3/4" Bolt, LW, FW & Nut
15	101-818	1	Chain Tightener Arm
16	170-518	1	Chain; #4 Machine x 30 Links
17	101-817	1	Chain Tightener Arm
18	171-585	2	Bearing; 1-3/8", Eccentric Lock Mtg Hrd: 1/2" x 1-3/4" Bolt, LW & Nut (3 & 4 ea), FW (4 ea)
19	101-337	1	Hose Holder Assembly; Mtg Hrd: 3/8" x 1" Bolt, LW & Nut (4 ea)
20	172-193	2	Locking Collar; 1-3/8"
21	134-362	1	Input Shaft; 1-3/8" x 12-5/8" Long
22	171-409	1	Straight Key; 3/8" x 1-1/4" Long

A: Sprocket sizes have changed and are not interchangeable with past sprocket combinations. Use Before Serial Number (3375-#090), (3450-#107 & 122).

B: Roller bearing(170-053) is used on the upper auger only. Before serial number (3375-214), (3450-419) a (170-053) bearing was used on the reel. If the unit was built after the listed serial numbers use (102-261) sleeve bearing on the front reel shaft.

An asterisk (*) at the end of a part number (XXX-XXX*) indicates that the part is no longer used in production for this application. Superscript letters (XXX-XXX^A) refer to footnotes and/or illustration boxes.

FRONT END PARTS

3375/3450-TOW R081996

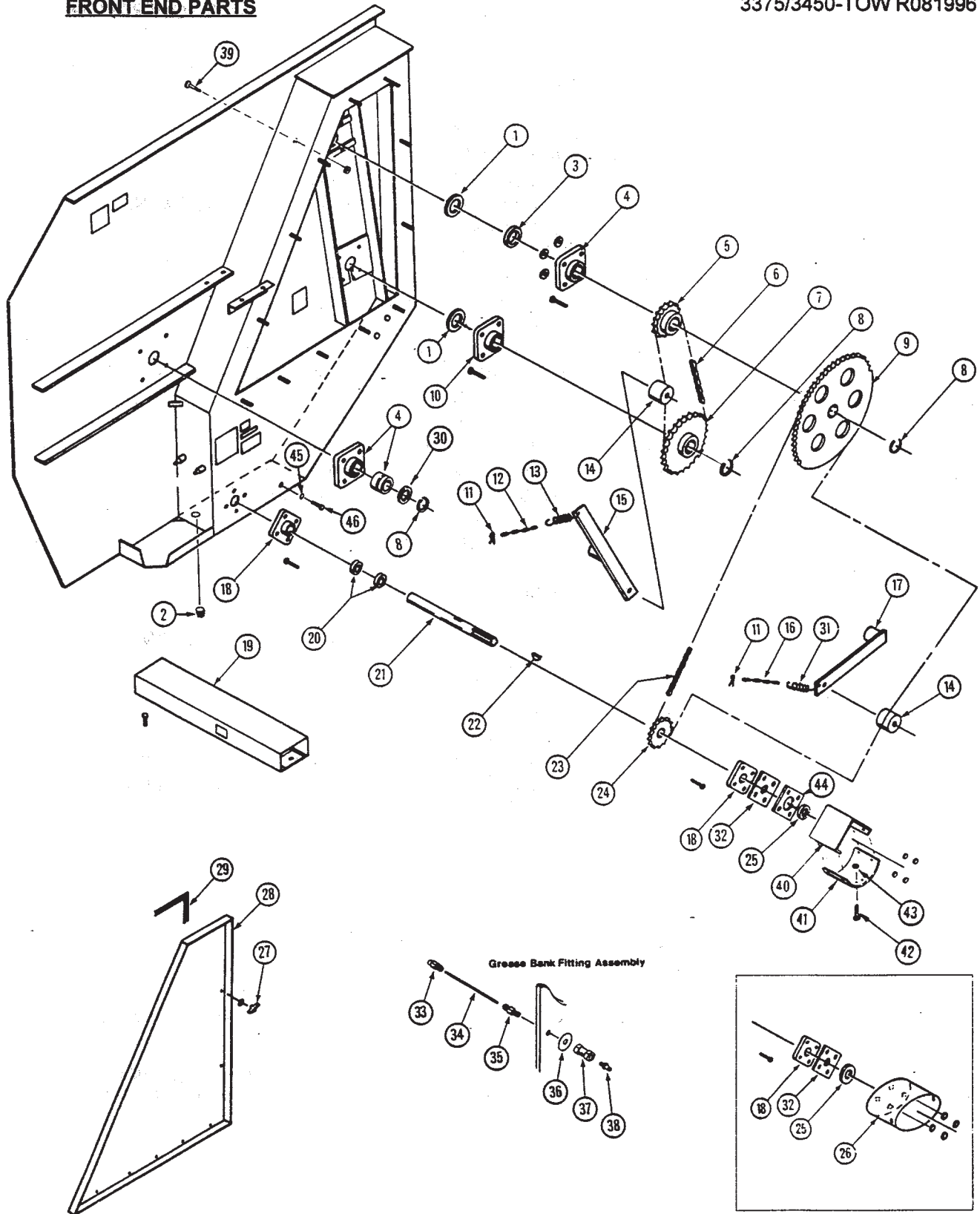


Illustration box "C" PTO shield used before serial number (3375-263), (3450-537).

KNIGHT MANUFACTURING CORP. PO BOX 167 BROADHEAD, WI 53520
OFFICE: (608) 897-2131 PARTS/SERVICE: (608) 897-2125 FAX: (608) 897-2561

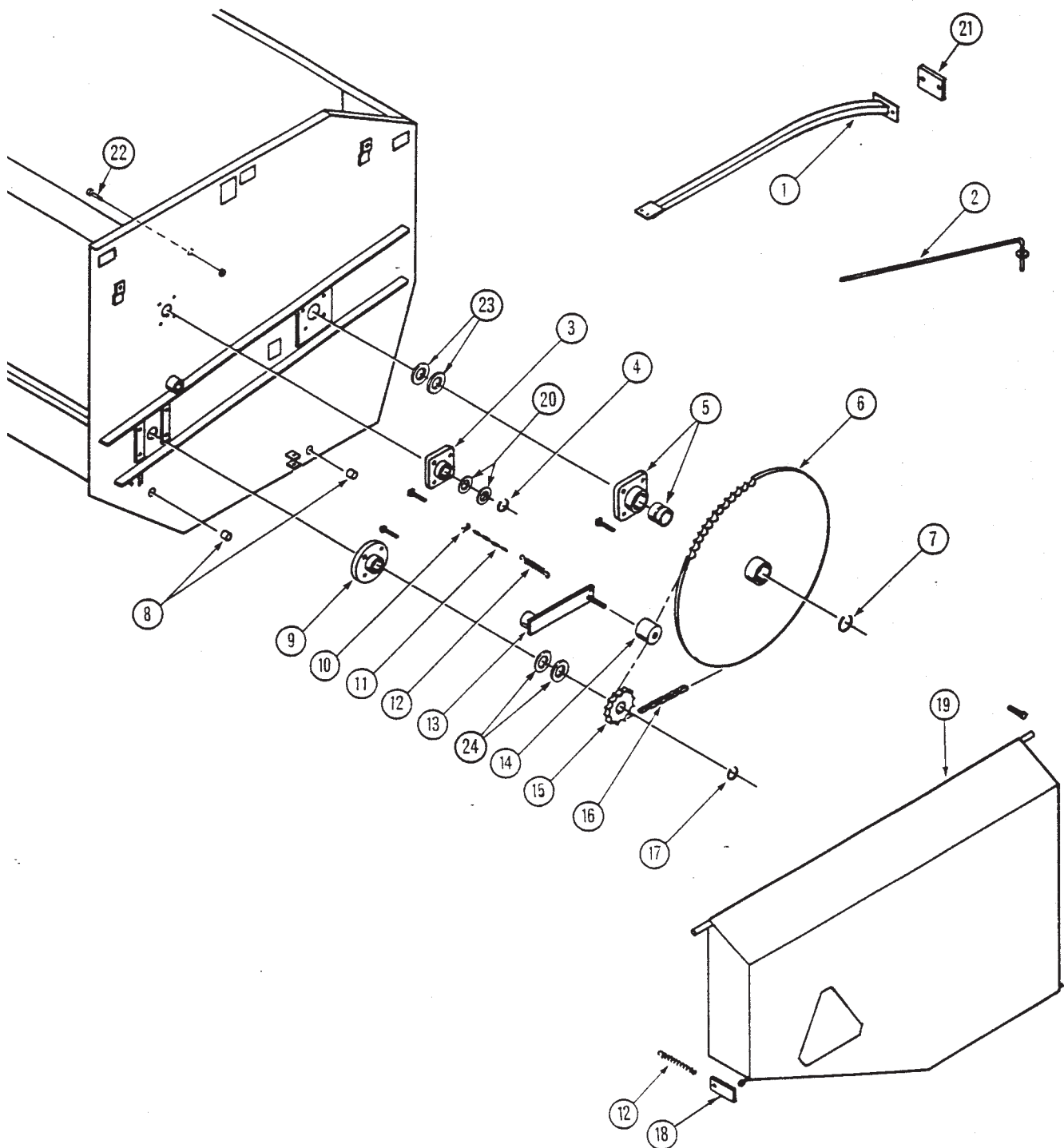
PART NO	QTY	DESCRIPTION
172-403	1	Roller Chain; 80-1-154 Pitch, W/C Link (540 RPM)
171-986	1	Roller Chain; 80-1-168 Pitch, W/C Link (1000 RPM)
131-894	1	Sprocket; 80-B-12, 1-3/8" Bore, 3/8" KW
173-164	1	Seal
171-972 ^c	1	Safety Shield; PTO Input (<i>see note "C" below</i>)
171-929	12	Wing Nut; 3/8" & FW 3/8"
134-117	1	Safety Shield; Mtg Hrd: 171-929 Wing Nut & FW (12)
171-935	15'	Gasket; Front Shield
171-968	A/R	Spacer Shim; 10 Ga, 2-1/2" ID x 3-1/2" OD
172-046	A/R	Spacer Shim; 14 Ga, 2-1/2" ID x 3-1/2" OD
172-005	1	Spring; 6" Long
134-366	1	Bearing Spacer
172-822	8	Compression Fitting; 1/8" NPT, Male
172-027	4	Nylon Tube; 3/16" OD (Requires Trimming)
172-823	3	Adapter; 1/2" to 1/4" Taper
170-244	4	3/8" Flat Washer
172-024	4	Pipe Coupling; 1/8" NPT
170-865	4	Zerk Fitting; 1/8" NPT
170-054	1	No Hay Max Kit 1/2" x 1" Bolt, LN
136-076	1	PTO Shield
133-920	1	Belt; PTO Driveline Shield; Mtg Hrd: 5/16" x 3/4" Bolt. FLN (4 ea)
172-987	3	Shear Bolt; 5/16" x 2" (Grade 5) 540 RPM only
172-986	3	Shear Bolt; 1/4" x 2" (Grade 5) 1000 RPM only
170-028	3	Lock Nut; 5/16" (Grade 5) 540 RPM only
170-069	3	Lock Nut; 1/4" (Grade 5) 1000 RPM only
136-260	1	Seal Plate
172-884	1	Plastic Seal Washer
170-149	1	Fill Plug; 1/2" x 1" Bolt

Before serial number (3375-263), (3450-537) a 171-927 PTO Shield was used. Refer to illustration box "C".

An asterisk (*) at the end of a part number (XXX-XXX*) indicates that the part is no longer used in production for this application. Superscript letters (XXX-XXX^A) refer to footnotes and/or illustration boxes.

REAR END PARTS

3375/3450-TOW R081996



KNIGHT MANUFACTURING CORP. PO BOX 167 BRODHEAD, WI 53520
OFFICE: (608) 897-2131 PARTS/SERVICE: (608) 897-2125 FAX: (608) 897-2561

REAR END PARTS

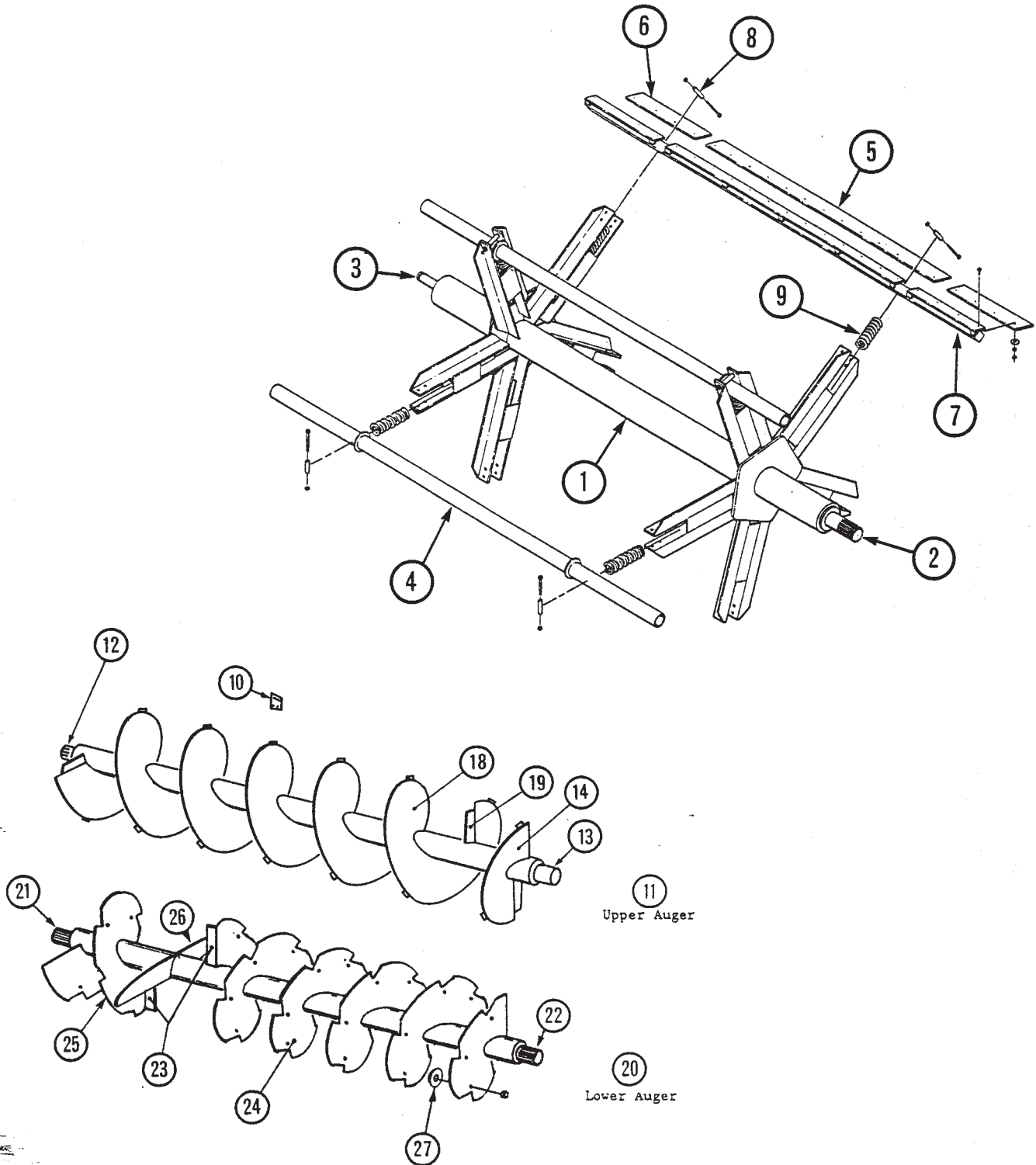
3375/3450-TOW R081996

REF	PART NO	QTY	DESCRIPTION
1	102-008	2	Bucket Guard Mtg Hrd: 3/8" x 1-1/4" Bolt, LW & Nut (3 ea)
2	101-787	1	Prop Rod Assembly
3	170-008	1	Bearing; 2", FYH UCF X10-32E L-III Or Equiv Mtg Hrd: 5/8" x 1-3/4" Bolt, LW & Nut (4 ea)
4	170-142	1	Snap Ring; 2", Truarc 5100-200 Or Equiv
5	102-259	1	Bearing Assembly; 4" Mtg Hrd: 7/8" x 2-1/4" Bolt, Lw, Nut
	135-692	1	Plastic Bearing Sleeve
	171-990 ^A	1	Bearing; 4", F-B22464E Or Equiv Mtg Hrd: 7/8" x 3" Bolt, Lw, Nut
6	134-024	1	Sprocket; 120-B-92, 4" Splined Hub
7	171-989	1	Snap Ring; 4", Truarc 5100-400 Or Equiv
8	171-919	2	Drain Plug; 1-1/4", PVC
9	170-365	1	Bearing; 2-1/2", F-B22440E Or Equiv Mtg Hrd: 5/8" x 2-1/2" Bolt, LW & Nut
10	170-800	1	Clinch Pin
11	170-845	1	Machine Chain; #4 x 17 Link
12	172-005	3	Spring; 6"
13	101-761	1	Chain Tightener Arm
14	134-086	1	Tightener Block Mtg Hrd: 1/2" x 4" Bolt, FW, LW & Nut
15	134-023	1	Sprocket; 120-B-12, 2-1/2" Splined Hub
16	171-988	1	Roller Chain; 120-1-118 Pitch, W/Connector Link
17	170-152	1	Snap Ring; 2-1/2", Truarc 5100-250 Or Equiv
18	133-552	2	Spring Handle
19	101-786	1	Rear Shield Assembly Mtg Hrd: 3/8" x 1-1/4" Bolt, LW & Nut (2 ea)
20	171-048	A/R	Machine Bushing; 2" ID x 3" OD x .062" Thick
20	171-049	A/R	Machine Bushing; 2" ID x 3" OD x .127" Thick
21	134-012	2	Bucket Guard Mount
22	170-054	1	No Hay Max Kit 1/2" x 1" Bolt, LN
23	135-697	2	Poly Washer; .125 Thick
24	171-968	A/R	Spacer Shim; 10 Ga, 2-1/2" ID x 3-1/2" OD
24	172-046	A/R	Spacer Shim; 14 Ga, 2-1/2" ID x 3-1/2" OD

A Bearing has changed from a roller bearing to a sleeve type bearing. Use before serial number (3375-214), (3450-419).

An asterisk (*) at the end of a part number (XXX-XXX*) indicates that the part is no longer used in production for this application. Superscript letters (XXX-XXX^A) refer to footnotes and/or illustration boxes.

Model 3375 Only



KNIGHT MANUFACTURING CORP. PO BOX 167 BROADHEAD, WI 53520
OFFICE: (608) 897-2131 PARTS/SERVICE: (608) 897-2125 FAX: (608) 897-2561

2-SPIDER REEL AND AUGER PARTS - 3375*(For 3-Spider reel parts, see pages 12-13)*

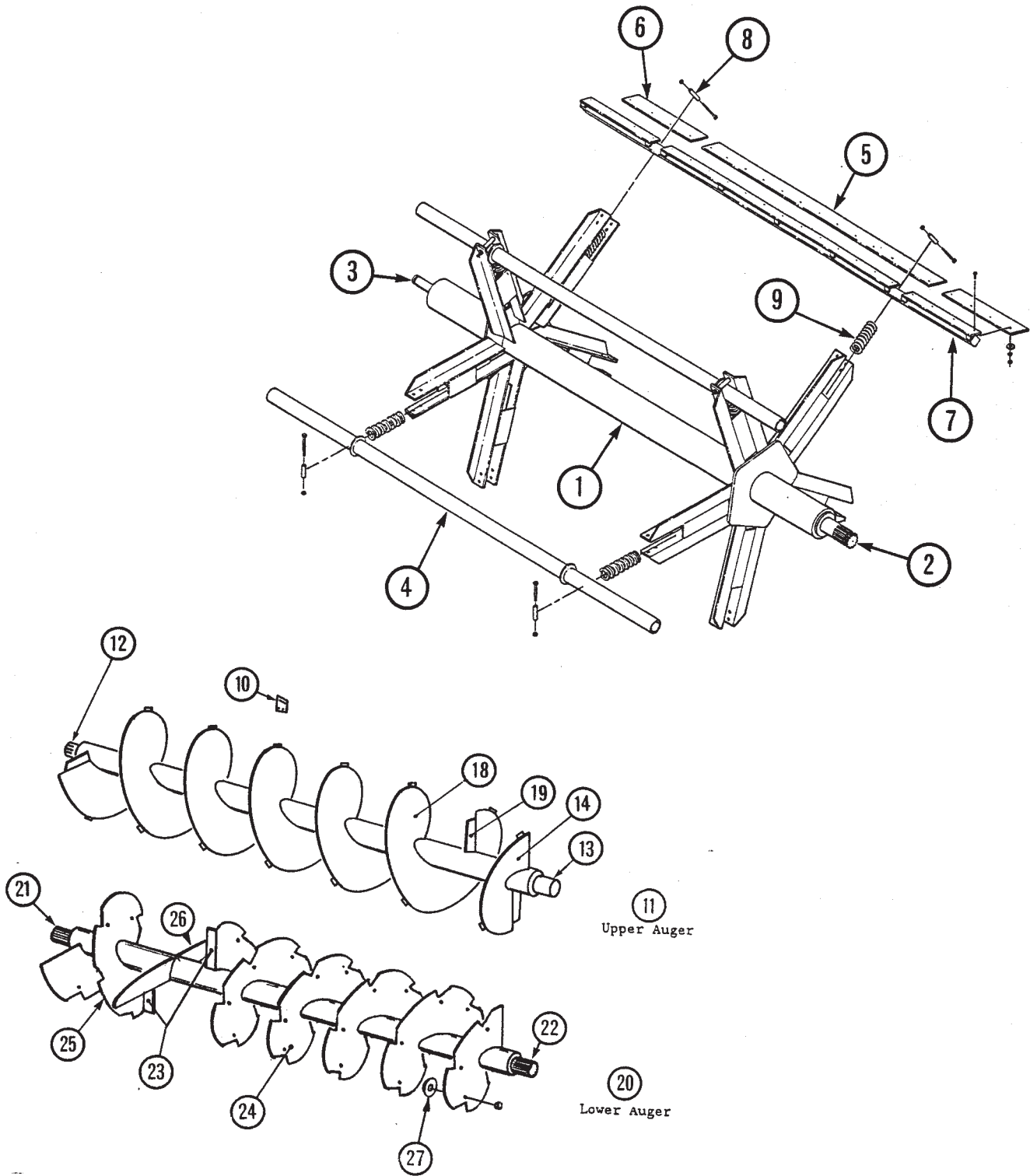
3375/3450-TOW R081996

Model 3375 Only

REF	PART NO	QTY	DESCRIPTION
1	102-254	1	Reel Weldment
2	102-248	1	Rear Plug Assembly
3	102-256	1	Front Plug Assembly
4	102-245	3	Reel Cross Pipe; Mtg Hrd: 3/8" x 5" Bolt, Lw, Nut
5	135-676	2	Plastic Wiper Blade; (Long); Mtg Hrd: 1/4" x 7/8" Bolt, (171-083 Machine Washer),Lw, Nut
6	135-675	4	Plastic Wiper Blade; (Short); Mtg Hrd: 1/4" x 7/8" Bolt, (171-083 Machine Washer),Lw, Nut
7	102-246	2	Cross Tube Wiper Assembly; Mtg Hrd: 3/8" x 5" Bolt, Lw, Nut
8	135-698	10	Retaining Sleeve
9	171-920	10	Spring; Reel Cross Pipe Compression
10	133-835	23	Upper Auger Knife (Qty May Vary) Mtg Hrd: 1/4" x 3/4" Bolt, LW & Nut
11	102-011	1	Upper Auger Assembly
12	102-091	1	Front Plug Assembly
13	101-781	1	Rear Plug Assembly
14	134-097	1	Flight; 1/4" - 4" - 18" - 16" x 7" LH
18	134-730	10	Flight; 3/8" - 4" - 18" - 10" RH
19	134-757	4	Flighting Support Bar
20	101-774	1	Lower Auger Assembly
21	101-776	1	Front Plug Assembly
22	101-777	1	Rear Plug Assembly
23	134-368	2	Gusset
24	134-095	5	Flight; 3/8" - 4-1/2" - 20" - 20" LH Actual Requirements: 4-1/2 Pcs
25	134-096	1	Flight; 3/8" - 4-1/2" - 20" - 20" RH
26	134-500	2	Paddle
27	134-352	14	Lower Auger Knife; (Qty May Vary) Mtg Hrd: 3/8" x 1" Bolt, LW & Nut

An asterisk (*) at the end of a part number (XXX-XXX*) indicates that the part is no longer used in production for this application. Superscript letters (XXX-XXX^A) refer to footnotes and/or illustration boxes.

Model 3450 Only



KNIGHT MANUFACTURING CORP. PO BOX 167 BRODHEAD, WI 53520
OFFICE: (608) 897-2131 PARTS/SERVICE: (608) 897-2125 FAX: (608) 897-2561

2- SPIDER REEL AND AUGER PARTS - 3450

3375/3450-TOW R081996

(For 3-Spider reel parts, see pages 12-13)

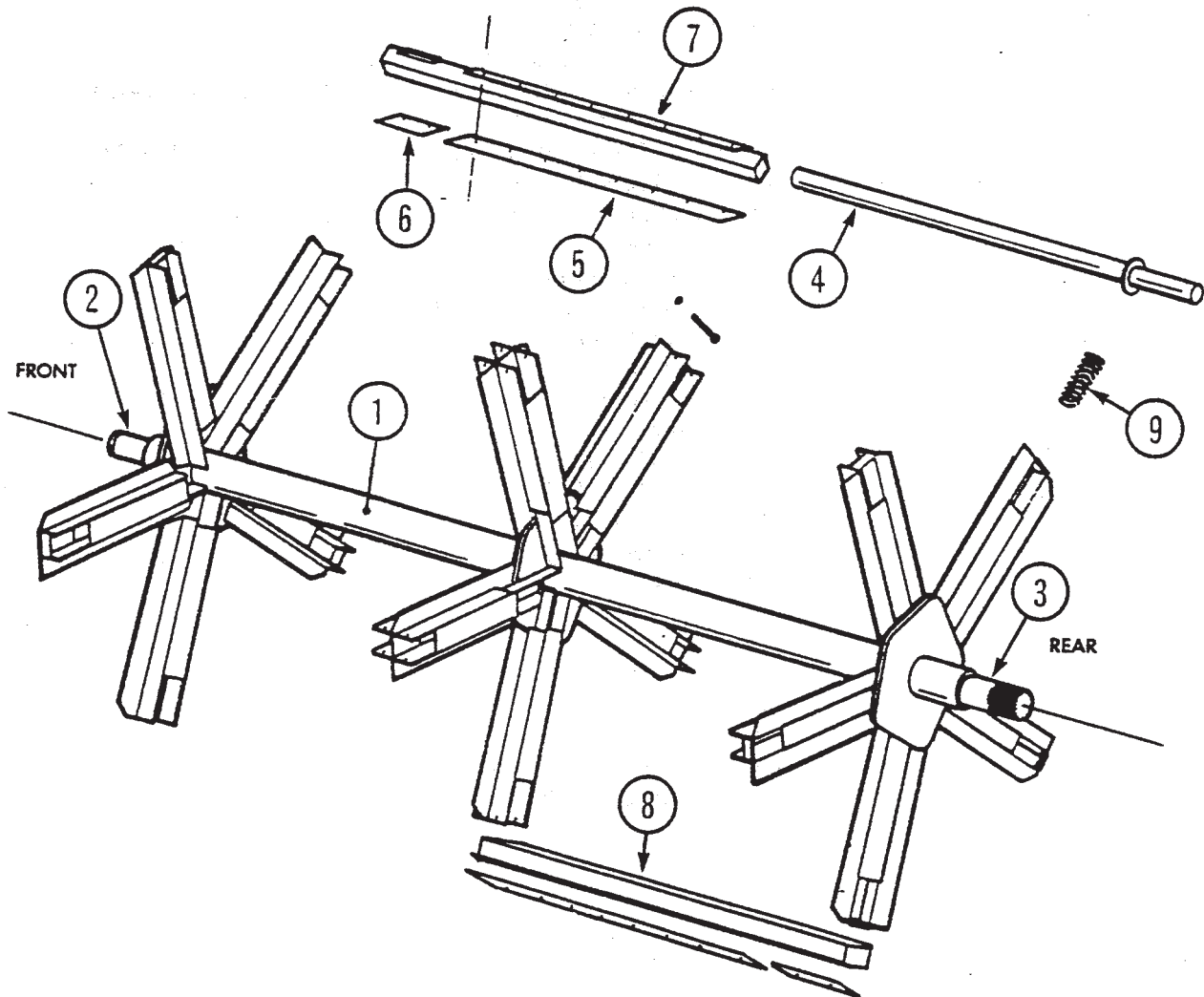
Model 3450 Only

REF	PART NO	QTY	DESCRIPTION
1	102-255	1	Reel Weldment
2	102-248	1	Rear Plug Assembly
3	102-256	1	Front Plug Assembly
4	102-252	3	Reel Cross Pipe; Mtg Hrd: 3/8" x 5" Bolt, LW, Nut
5	135-677	2	Plastic Wiper Blade; Long; Mtg Hrd: 1/4" x 7/8" Bolt, (171-083 Machine Washer),Lw, Nut
6	135-675	4	Plastic Wiper Blade; Short; Mtg Hrd: 1/4" x 7/8" Bolt, (171-083 Machine Washer),Lw, Nut
7	102-253	2	Cross Tube Wiper Assembly; Mtg Hrd: 3/8" x 5" Bolt,Lw, Nut
8	135-698	10	Retaining Sleeve
9	171-920	10	Spring; Reel Cross Pipe Compression
10	133-835	31	Upper Auger Knife (Qty May Vary) Mtg Hrd: 1/4" x 3/4" Bolt, LW & Nut
11	102-012	1	Upper Auger Assembly
12	102-091	1	Front Plug Assembly
13	101-783	1	Rear Plug Assembly
14	134-097	1	Flight; 1/4" - 4" - 18" - 16" x 7" LH
18	134-730	13	Flight; 3/8" - 4" - 18" - 10" RH
19	134-757	4	Flighting Support Bar
20	101-775	1	Lower Auger Assembly
21	101-776	1	Front Plug Assembly
22	101-777	1	Rear Plug Assembly
23	134-368	2	Gusset
24	134-095	6	Flight; 3/8" - 4-1/2" - 20" - 20" LH
25	134-096	1	Flight; 3/8" - 4-1/2" - 20" - 20" RH
26	134-500	2	Paddle
27	134-352	18	Lower Auger Knife; (Qty May Vary) Mtg Hrd: 3/8" x 1" Bolt, LW & Nut

An asterisk (*) at the end of a part number (XXX-XXX*) indicates that the part is no longer used in production for this application. Superscript letters (XXX-XXX[^]) refer to footnotes and/or illustration boxes.

3-SPIDER REEL PARTS 3375 & 3450
(Use before serial number 3375-214, 3450-419)

3375/3450-TOW R011695



KNIGHT MANUFACTURING CORP. PO BOX 167 BROADHEAD, WI 53520
OFFICE: (608) 897-2131 PARTS/SERVICE: (608) 897-2125 FAX: (608) 897-2561

3-SPIDER REEL PARTS 3375 & 3450
 (Use before serial number 3375-214, 3450-419)

3375/345-TOW R081996

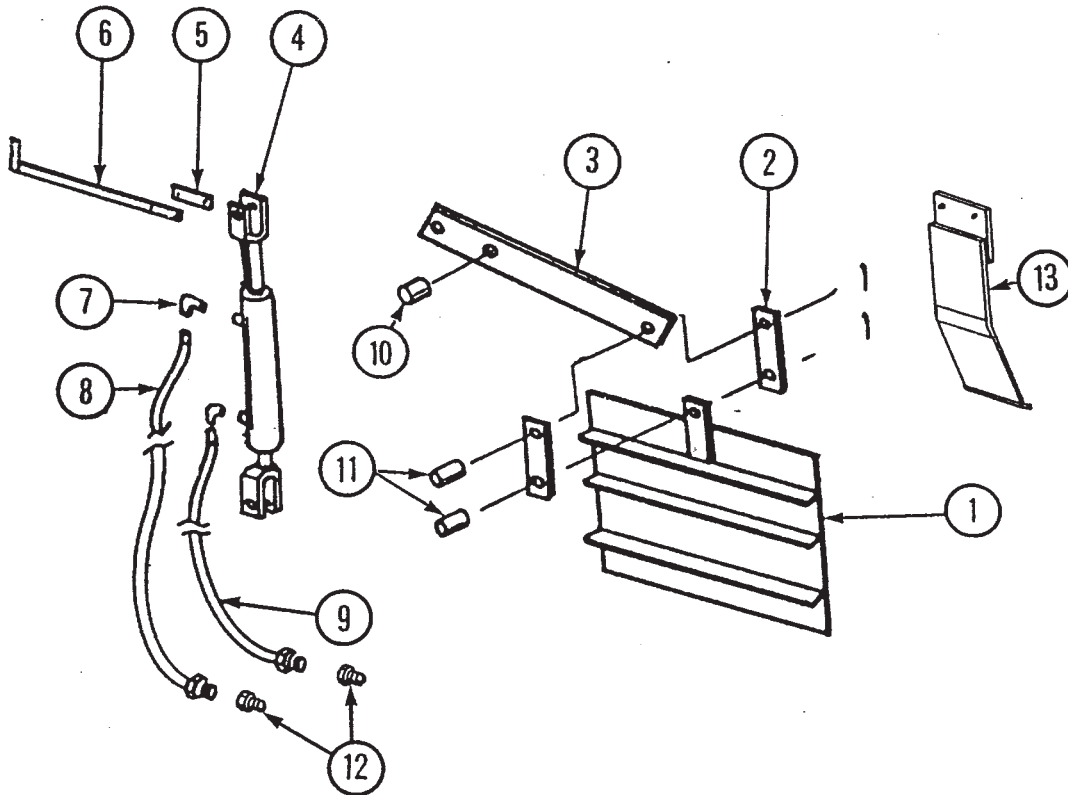
REF	PART NO	QTY	DESCRIPTION
1	101-764	1	Reel Weldment (3375 only)
	101-765	1	Reel Weldment (3450 only)
2	101-809	1	Front Plug Assembly
3	101-767	1	Rear Plug Assembly
4	101-763	3	Reel Cross Pipe; 2-7/8" OD, 52" Long (3375 only)
	101-815	3	Reel Cross Pipe; 2-7/8" OD, 64" Long (3450 only)
			Mtg Hrd: 3/8" x 4-1/2" Bolt & LN (1 ea)
5	134-124	2	Plastic Wiper Blade; 43-3/8" Long (3375 only)
	134-112	2	Plastic Wiper Blade; 55-3/8" Long (3450 only)
			Mtg Hrd: 1/4" x 7/8" Bolt, LW, FW & Nut (8 ea)
6	134-123	2	Plastic Wiper Blade; 8-1/2" Long (3375 and 3450)
			Mtg Hrd: 1/4" x 7/8" Bolt, LW, FW & Nut (2 ea)
7	101-802	1	Front Cross Tube Wiper Assembly (3375 only)
	101-804	1	Front Cross Tube Wiper Assembly (3450 only)
			Mtg Hrd: 3/8" x 4-1/2" Bolt & LN
8	101-803	1	Rear Cross Tube Wiper Assembly (3375 only)
	101-784	1	Rear Cross Tube Wiper Assembly (3450 only)
			Mtg Hrd: 3/8" x 4-1/2" Bolt & LN
9	171-920	20	Spring; Reel Cross Pipe Compression

An asterisk (*) at the end of a part number (XXX-XXX*) indicates that the part is no longer used in production for this application. Superscript letters (XXX-XXX^a) refer to footnotes and/or illustration boxes.

DOOR PARTS

3375/3450-TOW R011695

REF	PART NO	QTY	DESCRIPTION
1	101-722	1	Door Assembly
2	133-445	2	Door Linkage Bar; 3/8" x 2" x 8"
3	133-924	1	Door Pivot Bar; 5/8" x 4" x 31"
4	170-941	1	Hyd Cylinder; 2" Dia x 8" Stroke Seal Kit; Order #170-075
5	133-978	1	Door Gauge Mount; 1/8" x 5/8" x 3-1/4"
6	133-977	1	Door Gauge; 1/8" x 5/8" x 18-1/2" Mtg Hrd: 1/4" x 1" Truss Head Bolt, LW & Nut (2 ea)
7	171-030	2	Swivel Adapter; 3/8" - 90 Degrees
8	170-471	1	Hyd Hose; 1/4" x 170"
9	170-468	1	Hyd Hose; 1/4" x 162"
10	170-073	1	Pin (1" Dia) For Door Pivot Bar (133-924) Secures With 170-074 Hairpin Clip
11	171-696	2	Pin For Door Linkage Bar (133-445) Secures With 170-236 (5/32" x 1-1/2" Ctr. Pin)
12	170-235	2	Reducer Bushing; 1/2" To 3/8"
13	300-022	A/R	Door Flow Control Plate Kit (Optional, Max Qty 2) Mtg Hrd: 5/16"x 1-1/4" Bolt, LW & Nut (2 ea), 5/16" x 1" Bolt, LW & Nut (2 ea)

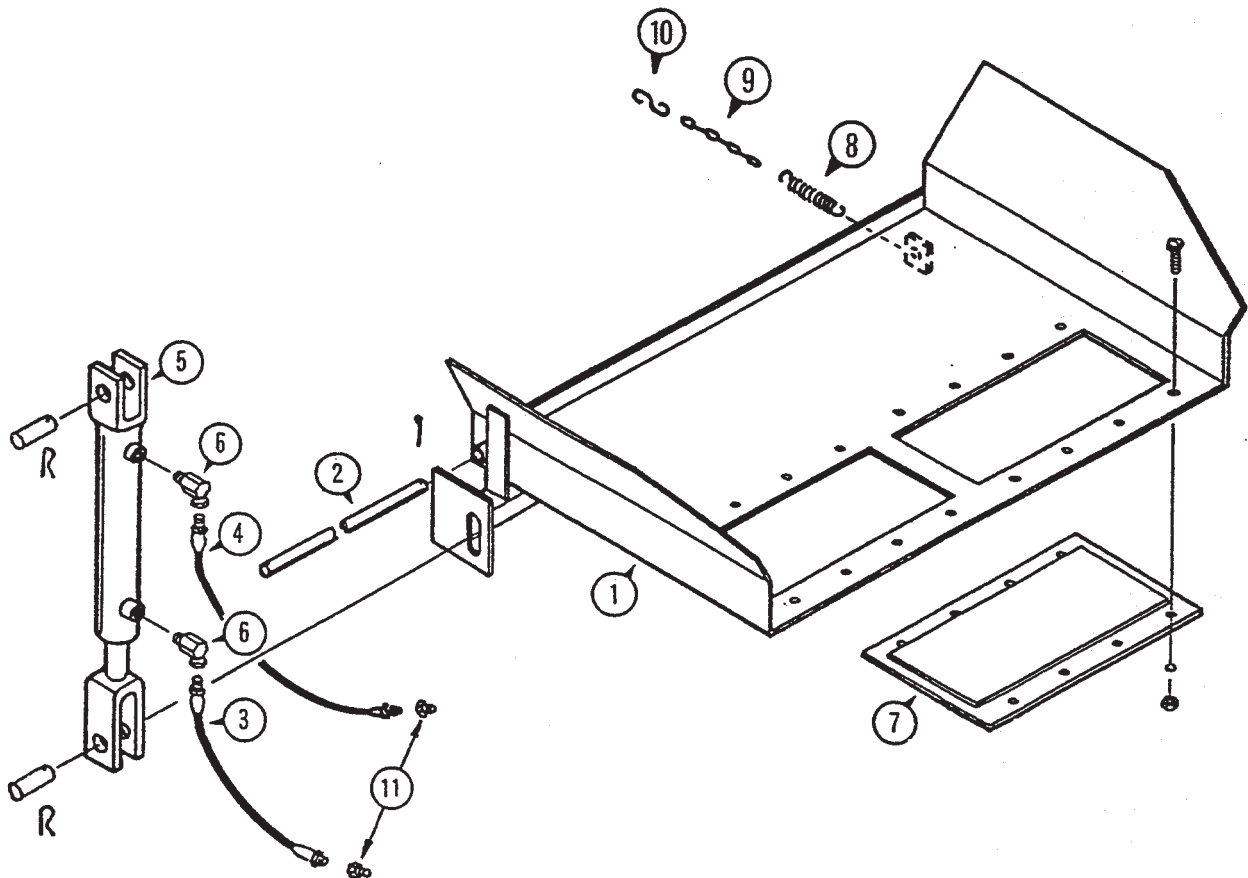


KNIGHT MANUFACTURING CORP. PO BOX 167 BROADHEAD, WI 53520
 OFFICE: (608) 897-2131 PARTS/SERVICE: (608) 897-2125 FAX: (608) 897-2561

SLIDE TRAY PARTS

3375/3450-TOW R011695

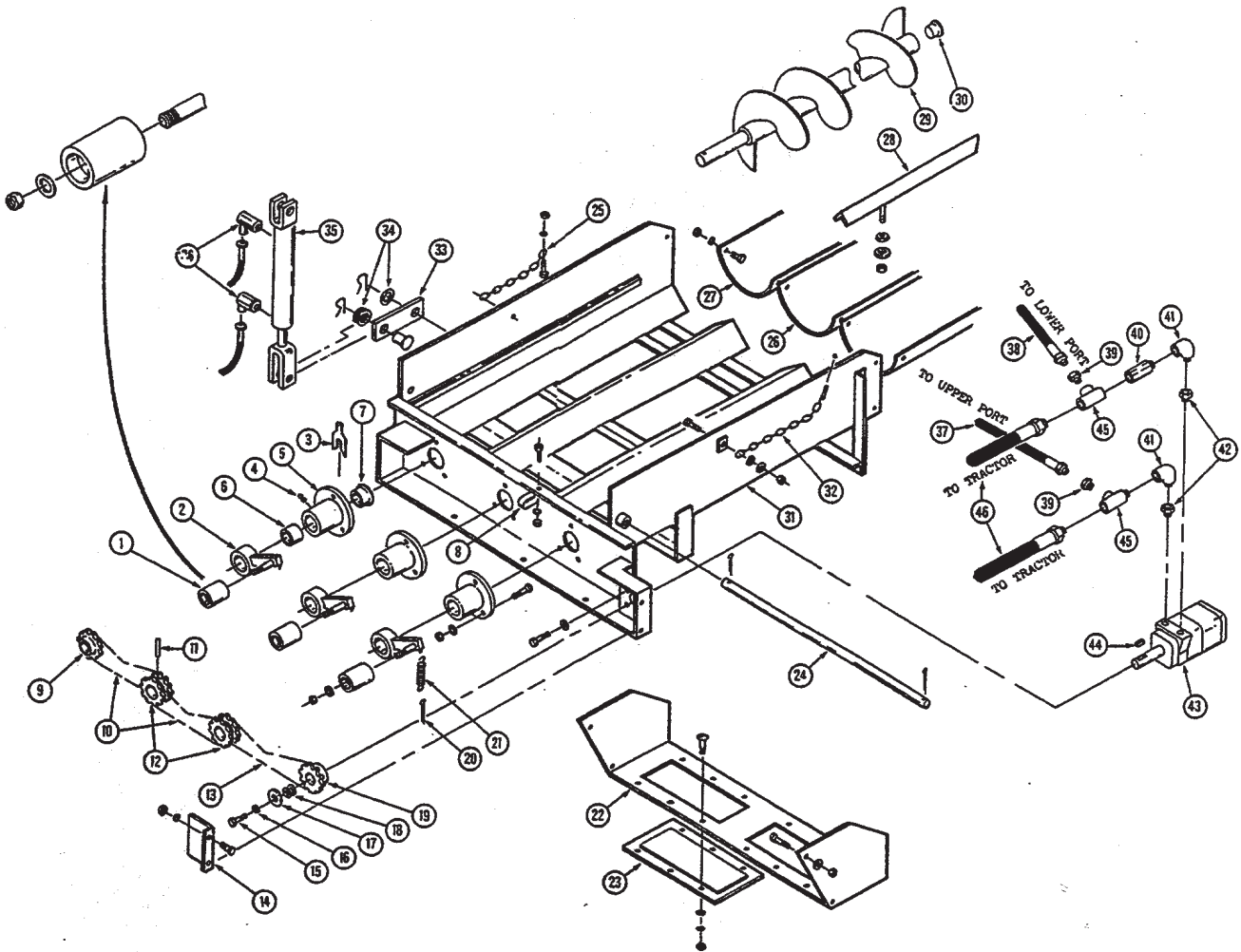
REF	PART NO	QTY	DESCRIPTION
1	101-747	1	Slide Tray Assembly (See Decal Section For Decals)
2	133-951	1	Tray Mtg Rod; 3/4" x 39-1/2" Long Mtg Hrd: 170-115 Cotter Pin (2 ea)
3	170-468	1	Hydraulic Hose Assy; 1/4" x 162"
4	170-471	1	Hydraulic Hose Assy; 1/4" x 170"
5	170-941	1	Hydraulic Cylinder; 2" x 8" Stroke Seal Repair Kit; 170-075
6	171-030	2	Swivel Connector; 3/8" - 90 Degree
7	171-937	2	Magnet; Mtg Hrd: 1/4" x 3/4" Truss Head Bolt, LW, FW & Nut (12 ea)
8	172-005	1	Spring
9	171-032	1	Machine Chain; #4 x 10 Link
10	170-947	1	S-Hook
11	170-235	2	Reducer Bushing; 1/2" To 3/8"



An asterisk (*) at the end of a part number (XXX-XXX*) indicates that the part is no longer used in production for this application. Superscript letters (XXX-XXX^a) refer to footnotes and/or illustration boxes.

POWER CHUTE PARTS

3375/3450-TOW R011695



POWER CHUTE PARTS

REF	PART NO	QTY	DESCRIPTION
	101-896	1	Complete Chute Assembly
1	134-395	3	Poly Block Mtg Hrd: 5/8" LW & Jam Nut
2	101-231	3	Chain Tightener Arm
3	171-265	A/R	Shim; .017" Thick
	171-266	A/R	Shim; .030" Thick
4	170-865	3	Zerk; 1/8" NPT

KNIGHT MANUFACTURING CORP. PO BOX 167 BROADHEAD, WI 53520
 OFFICE: (608) 897-2131 PARTS/SERVICE: (608) 897-2125 FAX: (608) 897-2561

POWER CHUTE PARTS

3375/3450-TOW R093097

REF	PART NO	QTY	DESCRIPTION
5	101-227	3	Auger Bearing Assembly Mtg Hrd: 1-3/8" x 1" Bolt, LW & Nut (3 ea)
6	171-259	1	Bushing; Bronze, 1-3/8" I.D.
7	171-260	1	Bushing; Bronze 1-3/8" I.D. Flanged
8	171-782	1	Double Hose Clamp; Mtg Hrd: 5/16" x 3/4" Bolt, LW & Nut
9	132-701	1	Sprocket; 50-B-18, 1-3/8" Bore
10	171-932	2	Roller Chain; 50-1-56 Pitch
11	171-297	3	Roll Pin; 1/4" x 2-1/2"
12	134-390	2	Sprocket; 50-2R-18, 1-3/8" Bore
13	171-178	1	Roller Chain; 50-1-48 Pitch
14	134-394	1	Motor Drive Shield; Mtg Hrd: 5/16" x 3/4" Bolt, LW & Nut (2 ea)
15	170-262	1	Bolt; 5/16" x 3/4" Hex Head
16	170-118	1	Washer; 5/16" Lock
17	170-302	1	Washer; 3/8" Heavy
18	171-576	1	Machine Washer
19	134-389	1	Sprocket; 50-B-18, 1" Bore, Inc.170254 S.S.
20	170-056	3	Cotter Pin; 1/4" x 2"
21	170-110	3	Spring
22	101-737	1	Tipoff Assembly; Mtg Hrd: 5/16" x 1" Bolt, LW & Nut (2 ea)
23	171-937	2	Magnet Mtg Hrd: 1/4" x 3/4" Truss Head Bolt LW, FW & Nut (6 ea)
24	133-951	1	Tipoff PivotRod; Mtg Hrd: 170-115 Cotter Pin (2 ea)
25	171-938	1	Chain; 4/0 Coil x 21 Link; Mtg Hrd: 3/8" x 1" Bolt, LW & Nut; 5/16" x 1" Truss Head Bolt, FW (3 ea), FLN (1 ea)
26	133-943	1	Plastic Chute Liner - Center
27	133-942	2	Plastic Chute Liner - Side Mtg Hrd: 1/4" x 3/4" Truss Head Bolt, LW & Nut (2 ea)
28	101-738	2	Liner Hold-Down Assy; Mtg Hrd: 1/2" (Grade 8) LW, 3/8" FW, LN(2 ea)
29	101-736	3	Auger Assy
30	171-186	3	Plastic Cap Plug; #16
31	101-897	1	Chute Weldment
32	101-739	1	Chute Restraint Chain Assy Mtg Hrd: 5/16" x 1" Truss Head Bolt, FW, LW & Nut; 3/8" FW, LN
33	133-952	1	Chute Cylinder Linkage Bar Mtg Hrd: 170-074 Hairpin Clip (2 ea)
34	170-122	5	Spacer Washer; 1" Sae Flat
35	173-220	1	Hydraulic Cylinder; 2" x 18" (Seal Kit #170-075)
36	171-030	2	Swivel Adapter; 3/8" x 90 Degree
37	171-427	1	Hyd Hose; 1/4" x 82" Overall Length
38	171-940	1	Hyd Hose; 1/4" x 64" Overall Length
39	170-235	2	Reducer Bushing; 1/2" to 3/8"
40	171-151	1	Line Check Valve; 1/2"
41	171-136	2	90 Degree Street Elbow; 1/2"
42	171-668	2	Straight Thread Adapter
43	171-666	1	Hyd Motor; 12 cu. in. (Seal Kit #171-257) Mtg Hrd: 3/8" x 7/8" Bolt, LW (4 ea)
44	171-883	1	Key; 1/4" x 1/4" x 1" Long
45	170-859	2	Service Tee; 1/2"
46	171-330	2	Hyd Hose; 1/2" x 168" Overall Length

An asterisk (*) at the end of a part number (XXX-XXX*) indicates that the part is no longer used in production for this application.

Superscript letters (XXX-XXX^a) refer to footnotes and/or illustration boxes.

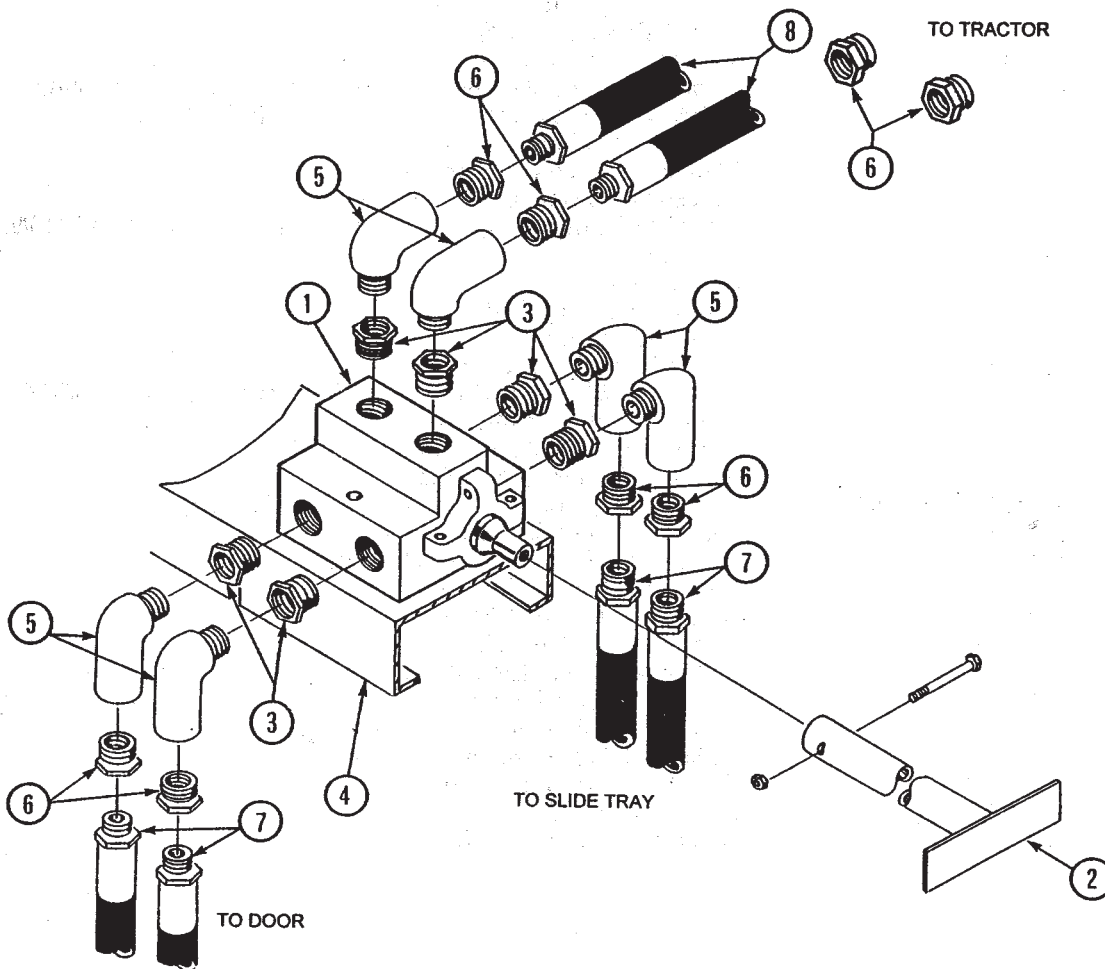
SELECTOR VALVE - SLIDE TRAY OPTION
FACTORY INSTALLED PARTS:

3375/3450-TOW R011695

REF	PART NO	QTY	DESCRIPTION
1	101-891	1	Selector Valve Assembly, W/Sleeve (Seal Kit #172-784) Mtg Hrd: 3/8" x 3" Bolt, FW, LW & Nut (2 ea)
2	101-791	1	Control Handle Assembly Mtg Hrd: 1/4" x 1-1/2" Bolt & LN
3	171-430	6	Reducer Bushing; 3/4" Male To 1/2" Female
4			Hose Holder Assembly (Shown For Reference Only)
5	171-136	6	Street Elbow; 1/2" - 90 Degree
6	170-235	8	Reducer Bushing; 1/2" Male To 3/8" Female
7	170-465	4	Hyd Hose 1/4" x 127"
8	171-998	2	Hyd Hose 1/4" x 117"

FIELD INSTALLATION NOTE:

The field installation kit (P/N 300-010) contains all of the above parts except for four reducer bushings (P/N 170-235) and four hydraulic hoses (P/N 170-465).



KNIGHT MANUFACTURING CORP. PO BOX 167 BROADHEAD, WI 53520
 OFFICE: (608) 897-2131 PARTS/SERVICE: (608) 897-2125 FAX: (608) 897-2561

DIVERTER VALVE - POWER CHUTE OPTION

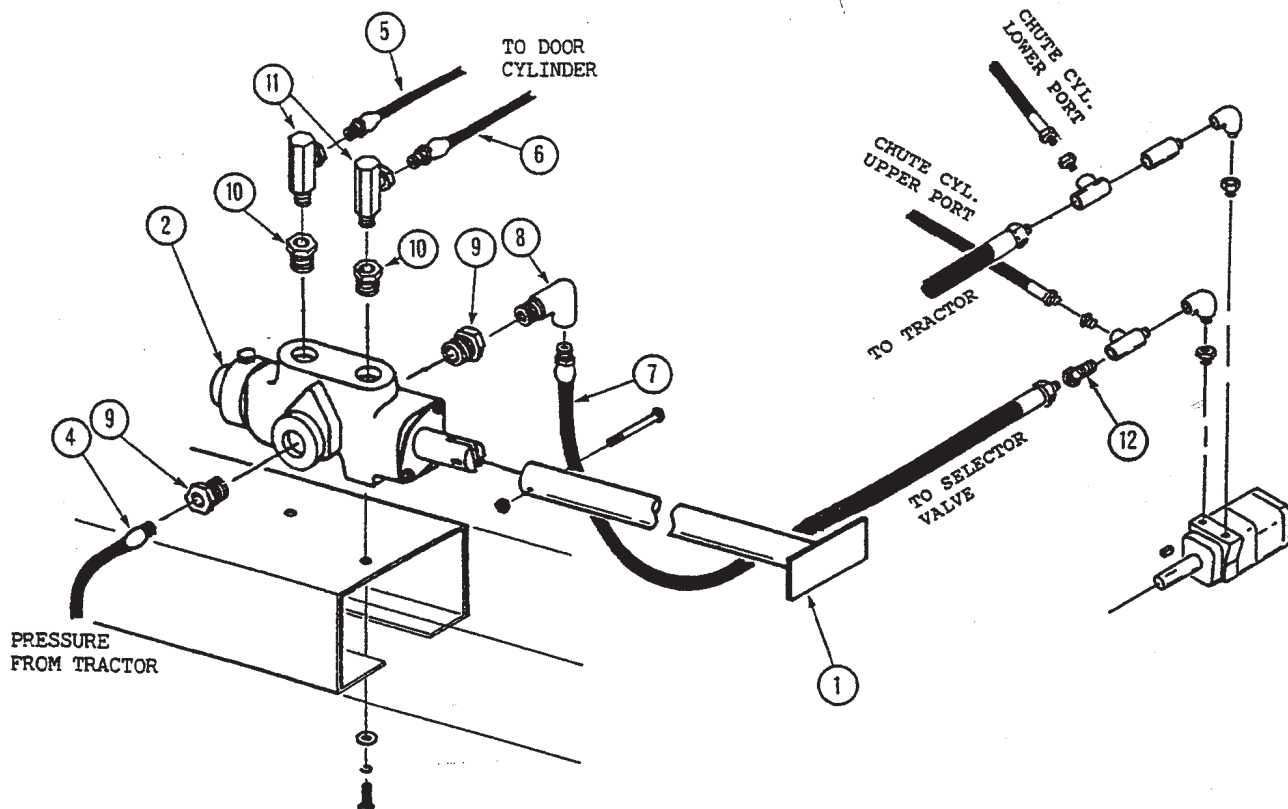
3375/3450-TOW R011695

FACTORY INSTALLED PARTS:

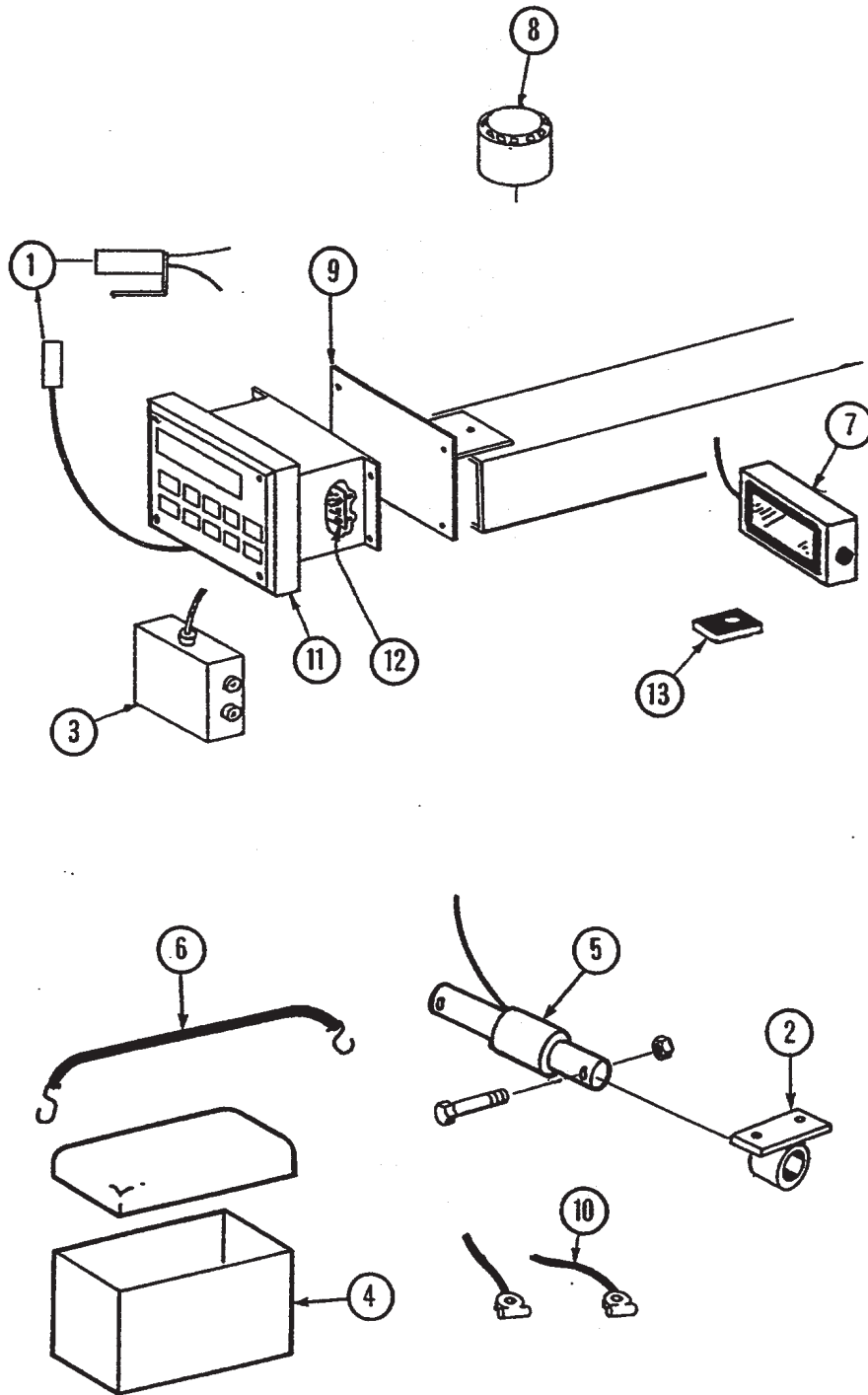
REF	PART NO	QTY	DESCRIPTION
1	101-791	1	Control Handle Assy Mtg Hrd: 1/4" x 1-1/2" Bolt & LN
2	171-424	1	Diverter Valve Assy (Seal Kit #171-847) Mtg Hrd: 3/8" x 7/8" Bolt & LW (2 ea), FW (4ea)
4	171-426	1	Hyd Hose; 1/2" x 96" Long 1/2" Ends
5	170-465	1	Hyd Hose; 1/4" x 127" Long 3/8" Ends
6	171-998	1	Hyd Hose; 1/4" x 117" Long 3/8" Ends
7	171-189	1	Hyd Hose; 1/2" x 108" Long 1/2" Ends
8	171-136	1	Connector; Elbow 1/2" - 90 Degree
9	171-430	2	Connector; Reducer 3/4" To 1/2"
10	170-235	2	Connector; Reducer 1/2" To 3/8"
11	171-030	2	Connector; Swivel 3/8" - 90 Degree
12	170-513	1	Connector; Swivel 1/2" Straight

FIELD INSTALLATION NOTE:

The field installation kit (P/N 300-006) contains all of the above parts except for references 5 - 7 (Field kit doesn't include 170-465, 171-998 and 171-189).



An asterisk (*) at the end of a part number (XXX-XXX*) indicates that the part is no longer used in production for this application. Superscript letters (XXX-XXX[^]) refer to footnotes and/or illustration boxes.



KNIGHT MANUFACTURING CORP. PO BOX 167 BRODHEAD, WI 53520
OFFICE: (608) 897-2131 PARTS/SERVICE: (608) 897-2125 FAX: (608) 897-2561

EATON SCALE PARTS

3375/3450-TOW R081996

REF	PART NO	QTY	DESCRIPTION
1	170-415	1	Plug - Tractor Mount
1	172-333	1	Power Cord Assembly
2	101-742	4	Weigh Bar Mount Spool Mtg Hrd To Unit: 5/8" x 1-3/4" Gr 5 Bolt, FW & LN (2 ea)
3	172-335	1	Junction Box With 15' Cord Mtg Hrd: #8 x 1" Self Tapping, FW, LW & Nut (4 ea)
4	171-158	1	Battery Box With Cover
5	171-557	2	Weigh Bar; 2-1/8" Dia, 15' Cord Length (Front)
5	171-558	2	Weigh Bar; 2-1/8" Dia, 30' Cord Length (Rear)
	171-960		Splice Kit - For Weigh Bar Cord Repair
6	171-936	1	Battery Hold-Down Strap; 5/16" x 1-1/4" Bolt, Nut, FLN (1 ea), FW (2 ea)
7	172-336	1	Remote Display With 30' Cable
8	101-916	1	Alarm Horn Assembly Mtg Hrd: #6 x 3/4" Bolt, LW & Nut (2 ea)
9	133-378	1	Indicator Mount Mtg Hrd: 170-238 Spring, 3/8" x 2" Bolt, FW & LN
10	171-380	2	Battery Terminals

Items Used With Model 9TL Only:

11	172-499	1	Indicator; Model 9TL (2-1/8" or 2-1/2" Weigh Bar) Mtg Hrd: 3/8" x 1" Bolt, LW (1 ea.)
	172-498	1	Operator Manual; Model 9TL

Items Used With Model 99B Only:

11	172-329	1	Indicator; Model 99B (2-1/8" or 2-1/2" Weigh Bars) Mtg Hrd: 1/4" x 3/4" Bolt, FW, LW & Nut (4 ea)
	172-339	1	Operator's Manual; Model 99B

Items Used With Model 99S Only:

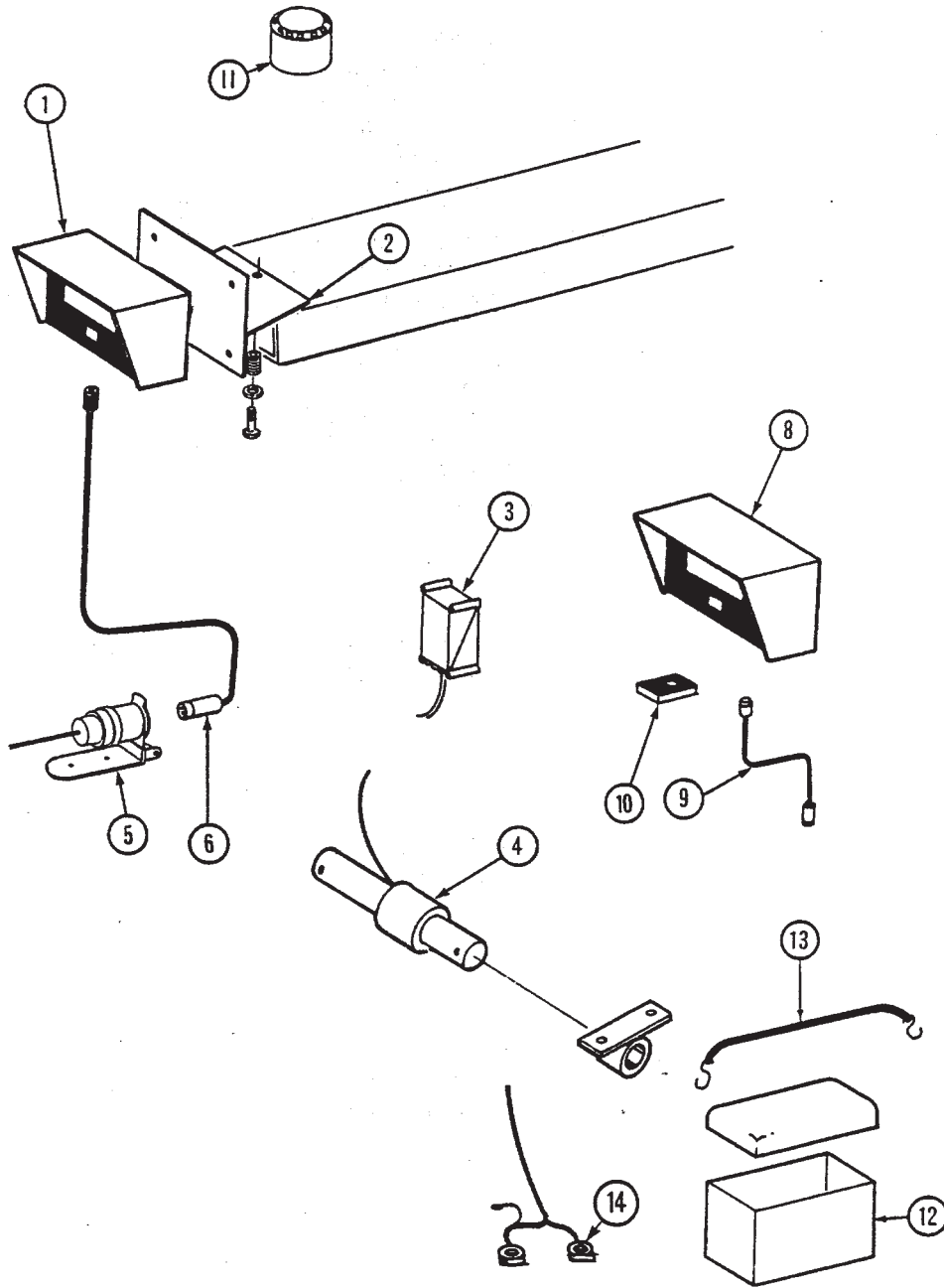
11	172-331	1	Indicator; Model 99S (2-1/8" or 2-1/2" Weigh Bars) Mtg Hrd: 1/4" x 3/4" Bolt, FW, LW & Nut (4 ea)
	172-340	1	Operator's Manual; Model 99S
12	172-337 ^A	1	Radio Control Package
13	172-338	1	Transmitter; Radio Control

Service Tools:

	172-386	1	Precision Calibrator For Scale Indicators
--	---------	---	---

A: Indicator must be sent to Knight Mfg. for radio control card installation.

An asterisk (*) at the end of a part number (XXX-XXX*) indicates that the part is no longer used in production for this application. Superscript letters (XXX-XXX^A) refer to footnotes and/or illustration boxes.



KNIGHT MANUFACTURING CORP. PO BOX 167 BROADHEAD, WI 53520
OFFICE: (608) 897-2131 PARTS/SERVICE: (608) 897-2125 FAX: (608) 897-2561

J-STAR SCALE PARTS

3375/3450-TOW R081996

REF	PART NO	QTY	DESCRIPTION
1	172-128	1	Model EZ-150 Indicator For 2-1/8" WeighBar
	172-130	1	Model EZ-210 Indicator For 2-1/8" Weigh Bar
	172-500	1	Model EZ-320 Indicator For 2-1/8" Weigh Bar
	172-800	1	Model EZ-View 150 Indicator, 1.7" Display For 2-1/8" Weigh Bar Mtg Hrd: 1/4" x 3/4" Bolt, FW, LW & Nut (2 ea)
2	101-835	1	Indicator Mount Mtg Hrd: Spring (170-238) 3/8" x 2" Bolt, FW & LN
3	172-134	1	Junction Box; 10-32 x 3/4" Truss Head Slotted Machine Screw, LW, FW & Nuts (4 ea)
4	172-138	4	Weigh Bar; 2-1/8" Dia
	171-960		Splice Kit - For Weigh Bar Cord Repair
5	170-415	1	Plug - Tractor Mount
6	172-354	1	Power Cord Assy

Optional Items:

8	172-801	1	EZ-View Remote, 1.7" Display w/ 25' Cord
	172-802	1	EZ-View TR Remote, 1.7" Display w/ Transmitter & 25' Cord
	172-803	1	EZ-R Remote, 1" Display w/ 25' Cord
	172-804	1	EZ-R Remote, 1" Display w/ Transmitter & 25' Cord
9	172-142	1	Cable For P/N 172-140 & 172-141
10	172-143	1	Extra Transmitter For Model 20R/TR
	172-165	1	30' J-Box Extension Cable (Optional)
	172-166	1	10' J-Box Extension Cable (Optional)
11	101-917	1	Alarm Horn Assembly Mtg Hrd: #6 x 3/4" Bolt, LW & Nut (2 ea)
12	171-158	1	Battery Box
13	171-936	1	Battery Hold-Down Strap; 5/16" x 1-1/4" FLN, Nut (1 ea) & FW (2 ea) "S" Hooks (2 ea)
14	171-380	2	Battery Terminals
15	134-409	1	Remote Indicator Mount; Mtg Hrd: 5/16 x 3/4 Bolt, Lw, Nut (2 ea), 1/4 x 3/4 Bolt, Fw, Lw, Nut (2 ea)

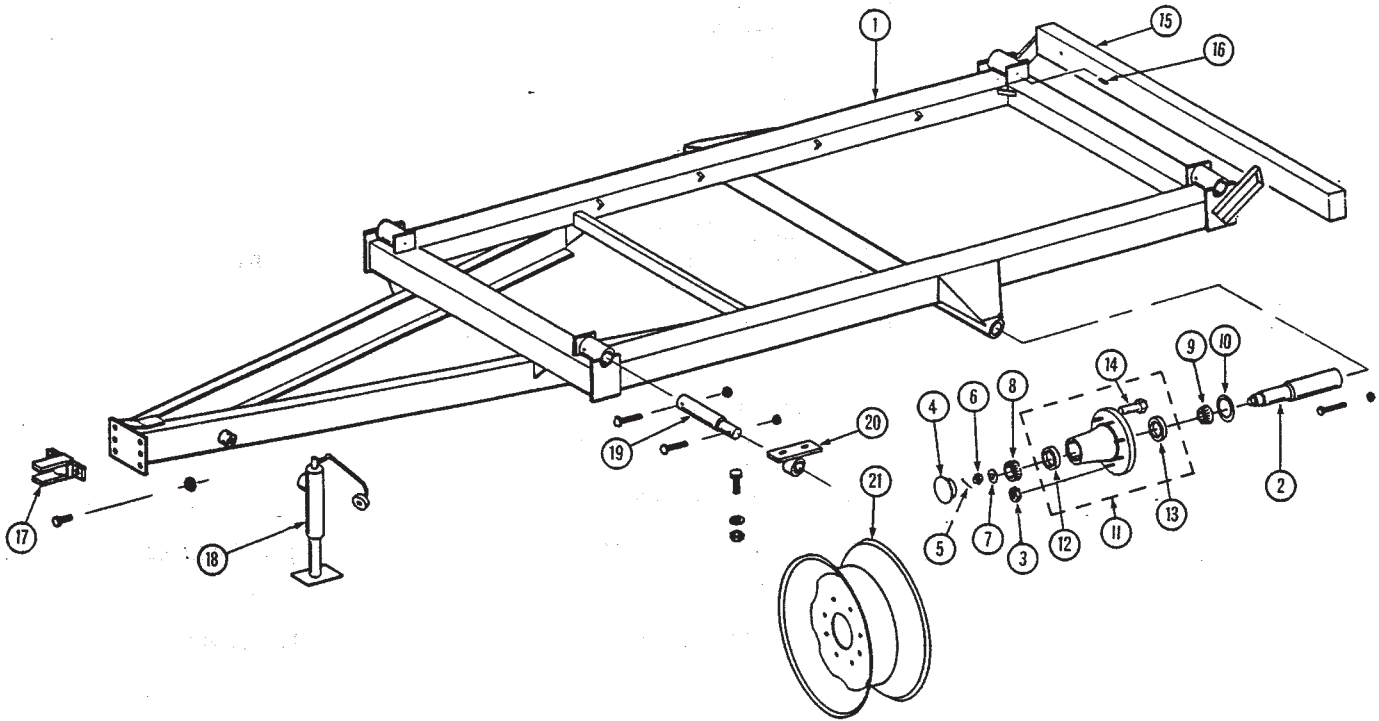
Service Tools:

	172-386	1	Precision Calibrator For Scale Indicators
--	---------	---	---

An asterisk (*) at the end of a part number (XXX-XXX*) indicates that the part is no longer used in production for this application. Superscript letters (XXX-XXX[^]) refer to footnotes and/or illustration boxes.

UNDERCARRIAGE

3375/3450-TOW R011695



KNIGHT MANUFACTURING CORP. PO BOX 167 BROADHEAD, WI 53520
OFFICE: (608) 897-2131 PARTS/SERVICE: (608) 897-2125 FAX: (608) 897-2561

UNDERCARRIAGE

3375/3450-TOW R011695

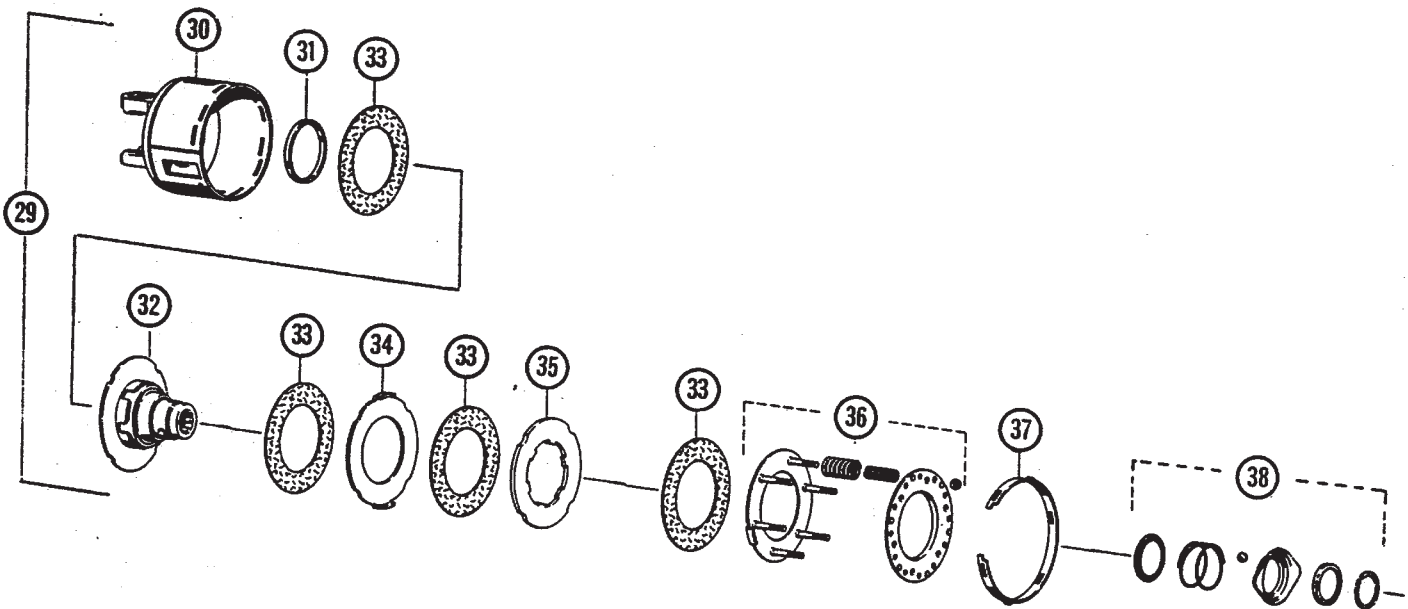
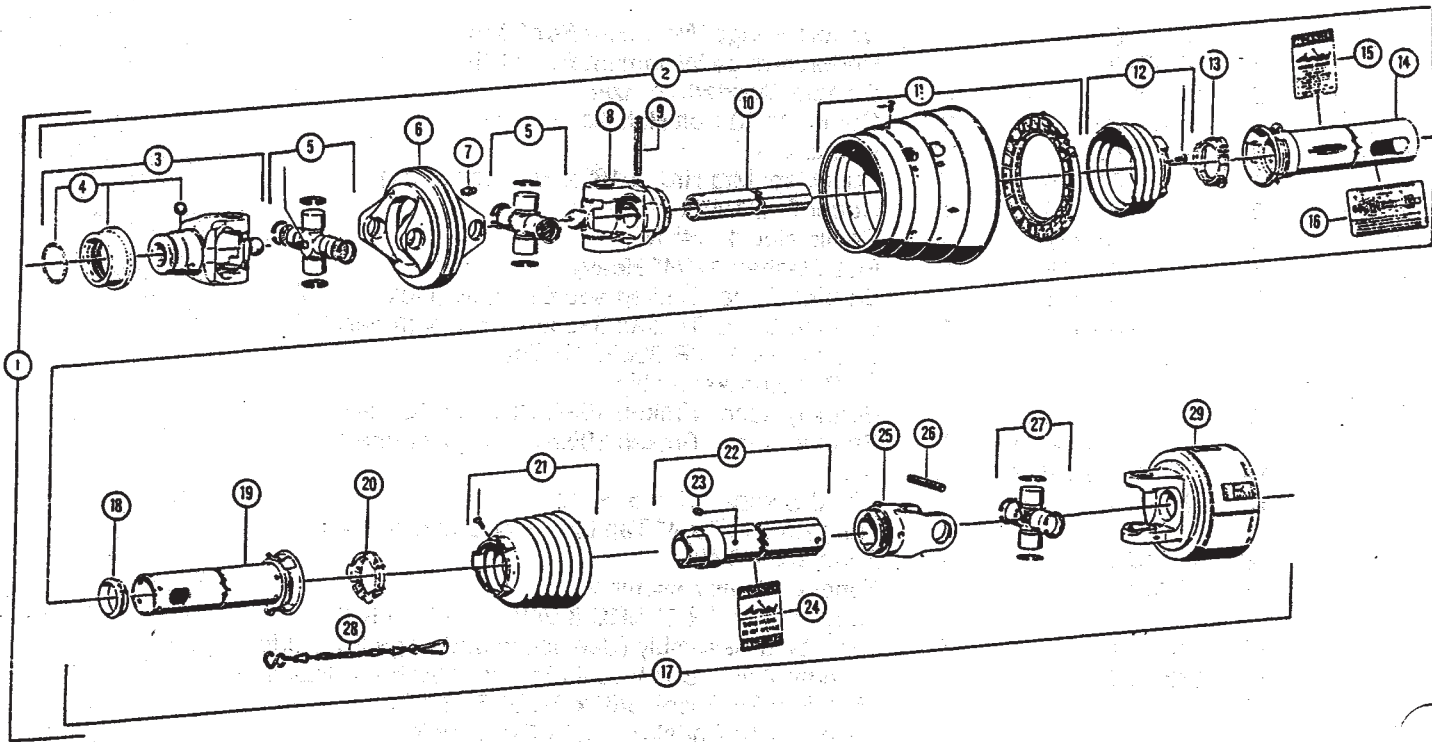
REF	PART NO	QTY	DESCRIPTION
1	101-789	1	Undercarriage Weldment For 3375
1	101-790	1	Undercarriage Weldment For 3450
2	170-918	2	Spindle, Welded To Axle
	170-929	2	Complete 10-Bolt Hub Assembly
3	170-920	10	Nut; 3/4" NF
4	170-926	1	Dust Cap; Mtg Hrd: 5/16" x 3/4" Bolt (4 ea)
5	170-056	1	Cotter Pin; 1/4" x 2"
6	170-927	1	Castle Nut; 1-1/4" NF
7	170-928	1	Flat Washer; 1-1/4" Heavy
8	170-921	1	Bearing Cone; Timken 460 Or Equiv (Outer) 1.75"
9	170-923	1	Bearing Cone; Timken 39585 Or Equiv (Inner) 2.5"
10	170-925	1	Grease Seal; C/R 30087 Or Equiv
11	172-397	1	10-Bolt Hub Assembly
12	170-922	1	Bearing Race; Timken 453A Or Equiv (Outer)
13	170-924	1	Bearing Race; Timken 39520 Or Equiv (Inner)
14	170-919	10	Stud
15	133-973	1	Wood Bumper; 3" x 6" x 72" Mtg Hrd: 1/2" x 4" Tap Bolt, FW, LW & Nut (4 ea)
16	170-023	4	Zerk; 1/4"-28 NF
17	101-741	1	Tongue Clevis Assembly Mtg Hrd: 3/4" x 2" GRD 8 Bolt & GRD 8 LN (2 ea)
18	170-984	1	Jackstand Assembly (See Jackstand Page For Parts)
19	133-976	4	Dummy Weigh Bar Mount (For Units Without Scales) Mtg Hrd To Spool: 3/8" x 2-1/2" Bolt & LN Mtg Hrd To Endstop: 3/8" x 3-1/2" Bolt & LN
20	101-742	4	Weigh Bar Mount Spool Mtg Hrd To Unit: 5/8" x 1-3/4" GRD 5 Bolt, FW & LN (2 ea)
21	171-616	2	Wheel; 22.5" x 11", 10-Bolt

An asterisk (*) at the end of a part number (XXX-XXX*) indicates that the part is no longer used in production for this application. Superscript letters (XXX-XXX^A) refer to footnotes and/or illustration boxes.

PTO DRIVELINE & FRICTION CLUTCH

3375/3450-TOW R020196

A: PTO parts listed are used on units built before serial number(3375-263), (3450-537).



KNIGHT MANUFACTURING CORP. PO BOX 167 BROADHEAD, WI 53520
OFFICE: (608) 897-2131 PARTS/SERVICE: (608) 897-2125 FAX: (608) 897-2561

Waltershield Constant Velocity PTO

REF	PART NO	QTY	DESCRIPTION
1	172-194	1	Wide Angle PTO Drive Shaft W/Shielding (540 RPM)
1	172-211	1	Wide Angle PTO Drive Shaft W/Shielding (1000 RPM)
2	172-222	1	Male Wide Angle Half Shaft W/Shielding (540 RPM)
2	172-404	1	Male Wide Angle Half Shaft W/Shielding (1000 RPM)
3	172-200	1	End Yoke (540 RPM)
3	172-203	1	End Yoke (1000 RPM)
4	172-028	1	Quick Disconnect Kit
5	172-204	2	Cross & Bearing Kit
6	172-202	1	CV Double Yoke
7	172-208	1	Grease Zerk
8	172-201	1	Inboard Yoke
9	171-983	1	Spring Pin
10	172-196	1	Inner Profile
11	172-205	1	CV Cone & Bearing Assembly Mtg Hrd: #172-210 Screw (2 ea)
12	172-206	1	Shield Cone; Three Rib Mtg Hrd: #172-210 Screw (3 ea)
13	171-979	1	Bearing Ring
14	172-199	1	Outer Shield Tube W/Cap
15	171-550	1	Decal; Danger - Rotating Driveline
16	172-227	1	Decal; Lubrication Requirements
17	172-223	1	Female Half Shaft With Shielding
18	172-207	1	Support Bearing
19	172-198	1	Inner Shield Tube W/Cap
20	171-979	1	Bearing Ring
21	172-030	1	Shield Cone; Six Rib Mtg Hrd: #172-210 Screw (3 ea)
22	172-197	1	Outer Profile & Sleeve
23	172-209	1	Grease Zerk
24	171-799	1	Decal; Danger, Shield Missing...
25	172-033	1	Inboard Yoke
26	171-983	1	Spring Pin
27	171-980	1	Cross & Bearing Kit
28	172-040	1	Safety Chain
29	***_***	1	Friction Clutch, Can't Be Purchased Assembled
30	172-037	1	Clutch Housing
31	172-038	1	Ring
32	172-036	1	Hub & Drive Plate
33	171-977	4	Friction Disk
34	171-976	1	Drive Plate
35	171-975	1	Drive Plate
36	171-974	1	Spring Pack
37	171-978	1	Setting Ring
38	172-029	1	Quick Disconnect Flange Kit

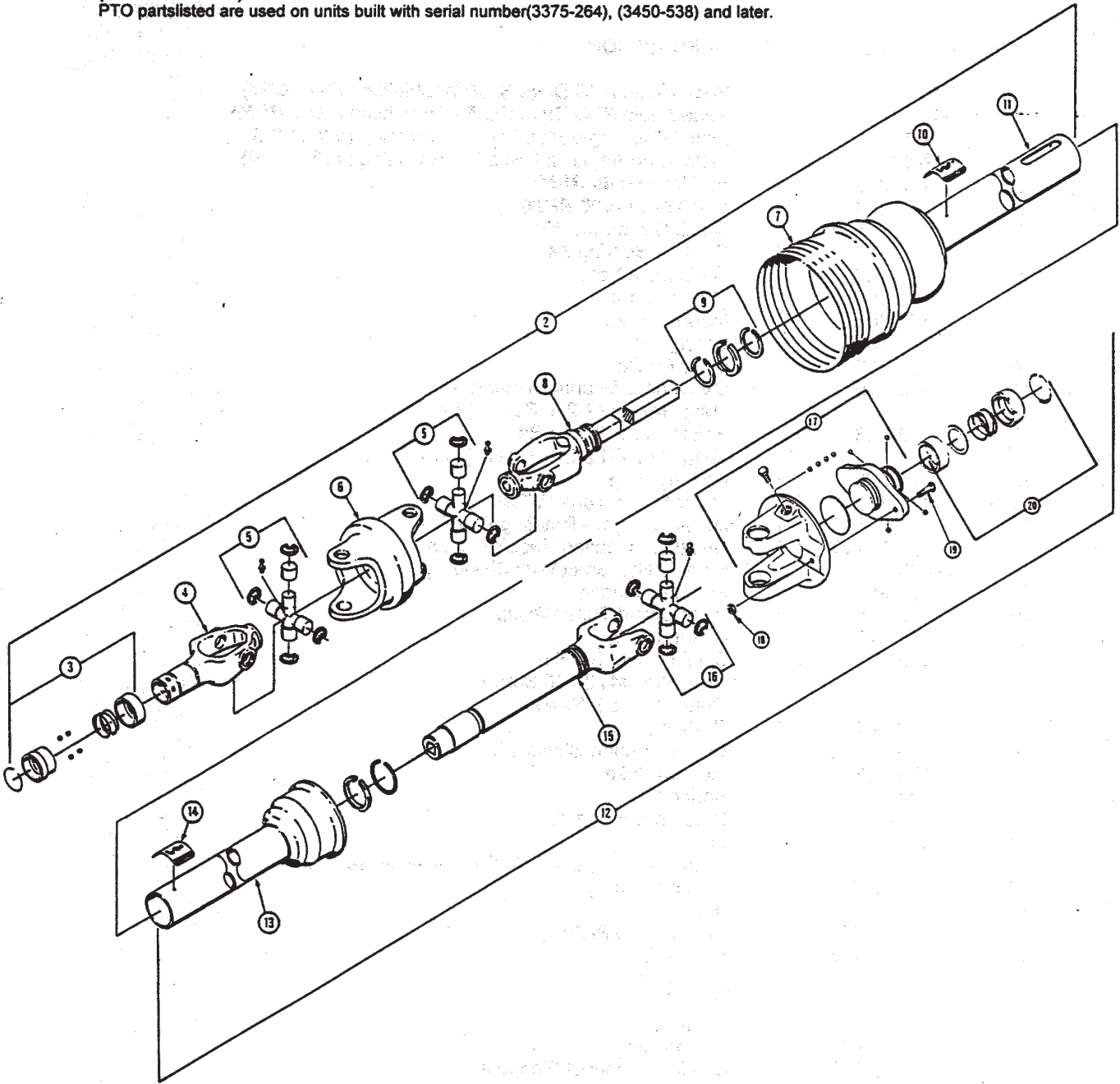
An asterisk (*) at the end of a part number (XXX-XXX*) indicates that the part is no longer used in production for this application. Superscript letters (XXX-XXX^A) refer to footnotes and/or illustration boxes.

PTO DRIVELINE & FRICTION CLUTCH

3375/3450-TOW R020196

**(540 RPM - 6 SPLINE) Weasler Constant Velocity PTO
(1-3/8" YOKE)**

PTO parts listed are used on units built with serial number(3375-264), (3450-538) and later.



KNIGHT MANUFACTURING CORP. PO BOX 167 BRODHEAD, WI 53520
OFFICE: (608) 897-2131 PARTS/SERVICE: (608) 897-2125 FAX: (608) 897-2561

PTO DRIVELINE & PARTS

3375/3450-TOW R020196

**(540 RPM - 6 SPLINE) Weasler Constant Velocity PTO
(1-3/8" YOKE)**

PTO parts listed are used on units built with serial number(3375-264), (3450-538) and later.

REF	PART NO	QTY	DESCRIPTION
1	172-920	1	80° CV- PTO Assembly (<i>Shear bolt type</i>)
2	172-842	1	Outer Joint and Tube Half with Guard
3	171-544	1	Safety Slide Lock Repair Kit
4	172-991	1	Spring Lock Yoke Assembly (1-3/8")
5	172-852	2	Cross and Bearing Kit
6	172-303	1	Center Housing
7	172-304	1	Bell Extension with Nylon Centralizer
8	172-846	1	Yoke and Shaft Assembly
9	170-220	2	Nylon Repair Kit
10	171-550	1	Safety Decal
11	172-848	1	Outer Guard
12	172-989	1	Inner Joint and Tube Half with Guard
13	172-847	1	Inner Guard
14	171-799	1	Safety Decal
15	172-845	1	Yoke Tube and Slip Sleeve
16	170-776	1	Cross and Bearing Kit
17	172-924	1	Ball Shear Assembly
18	170-028	1	5/16" - 18 Locknut
19	172-987	1	5/16" -18 x 2" Bolt (Grade 5)
20	171-544	1	Safety Slide Lock Repair Kit

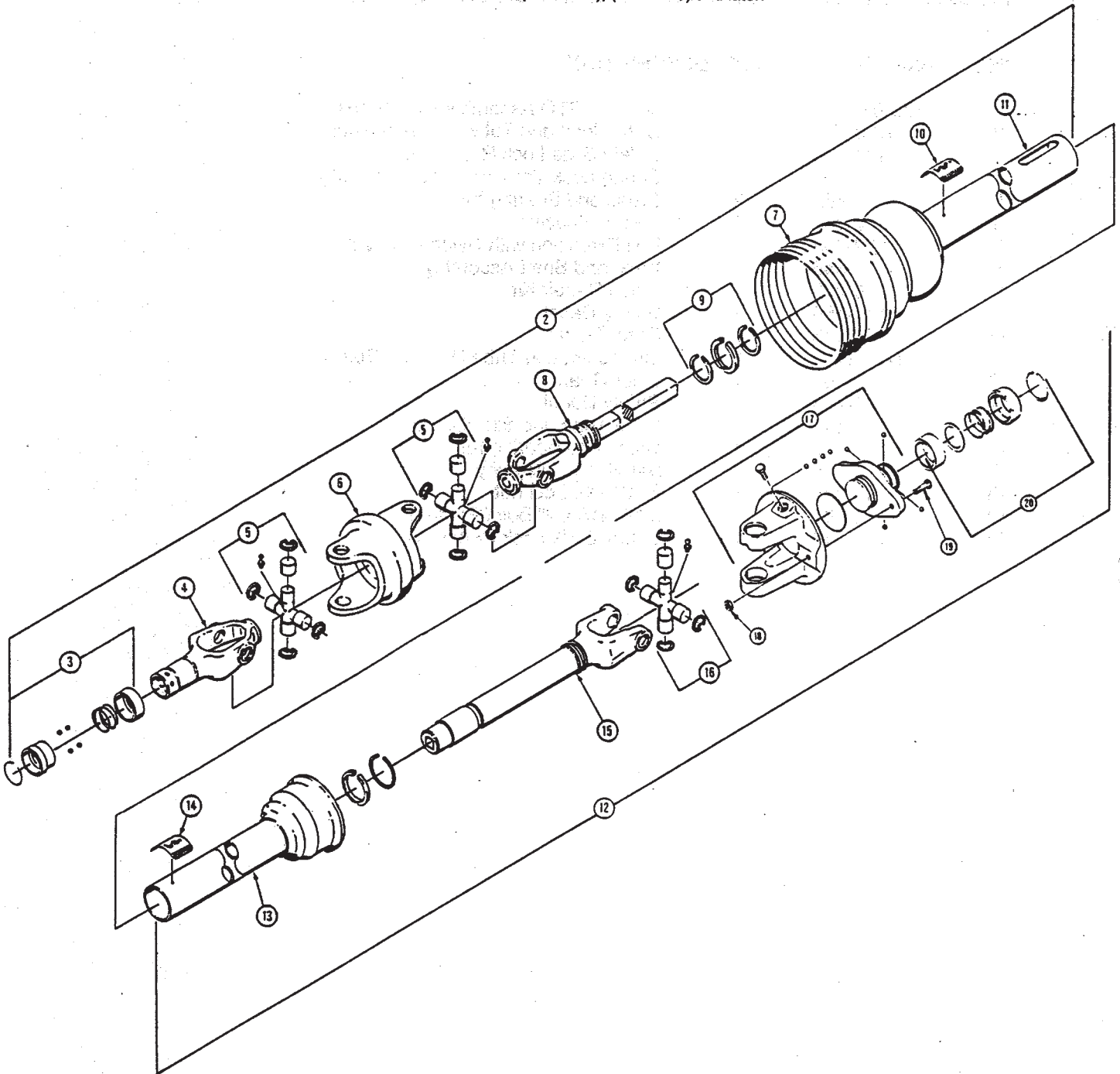
An asterisk (*) at the end of a part number (XXX-XXX*) indicates that the part is no longer used in production for this application. Superscript letters (XXX-XXX[^]) refer to footnotes and/or illustration boxes.

PTO DRIVELINE & FRICTION CLUTCH

3375/3450-TOW R020196

**(1000 RPM - 20 SPLINE) Weasler Constant Velocity PTO
(1-3/4" YOKE)**

PTO parts listed are used on units built with serial number(3375-264), (3450-538) and later.



KNIGHT MANUFACTURING CORP. PO BOX 167 BRODHEAD, WI 53520
OFFICE: (608) 897-2131 PARTS/SERVICE: (608) 897-2125 FAX: (608) 897-2561

PTO DRIVELINE & FRICTION CLUTCH

3375/3450-TOW R020196

**(1000 RPM - 20 SPLINE) Weasler Constant Velocity PTO
(1-3/4" YOKE)**

PTO parts listed are used on units built with serial number(3375-264), (3450-538) and later.

REF	PART NO	QTY	DESCRIPTION
1	172-922	1	80° CV- PTO Assembly (<i>Shear bolt type</i>)
2	172-841	1	Outer Joint and Tube Half with Guard
3	172-496	1	Safety Slide Lock Repair Kit
4	172-851	1	Safety Slide Lock Yoke Assembly (1-3/4")
5	172-852	2	Cross and Bearing Kit
6	172-303	1	Center Housing
7	172-304	1	Bell Extension with Nylon Centralizer
8	172-915	1	Yoke and Shaft Assembly
9	170-220	2	Nylon Repair Kit
10	171-550	1	Safety Decal
11	172-916	1	Outer Guard
12	172-907	1	Inner Joint and Tube Half with Guard
13	172-994	1	Inner Guard
14	171-799	1	Safety Decal
15	172-993	1	Yoke Tube and Slip Sleeve
16	170-776	1	Cross and Bearing Kit
17	172-925	1	Ball Shear Assembly
18	170-069	1	1/4" - 20 Locknut
19	172-986	1	1/4" - 20 x 2" Bolt (Grade 5)
20	171-544	1	Safety Slide Lock Repair Kit

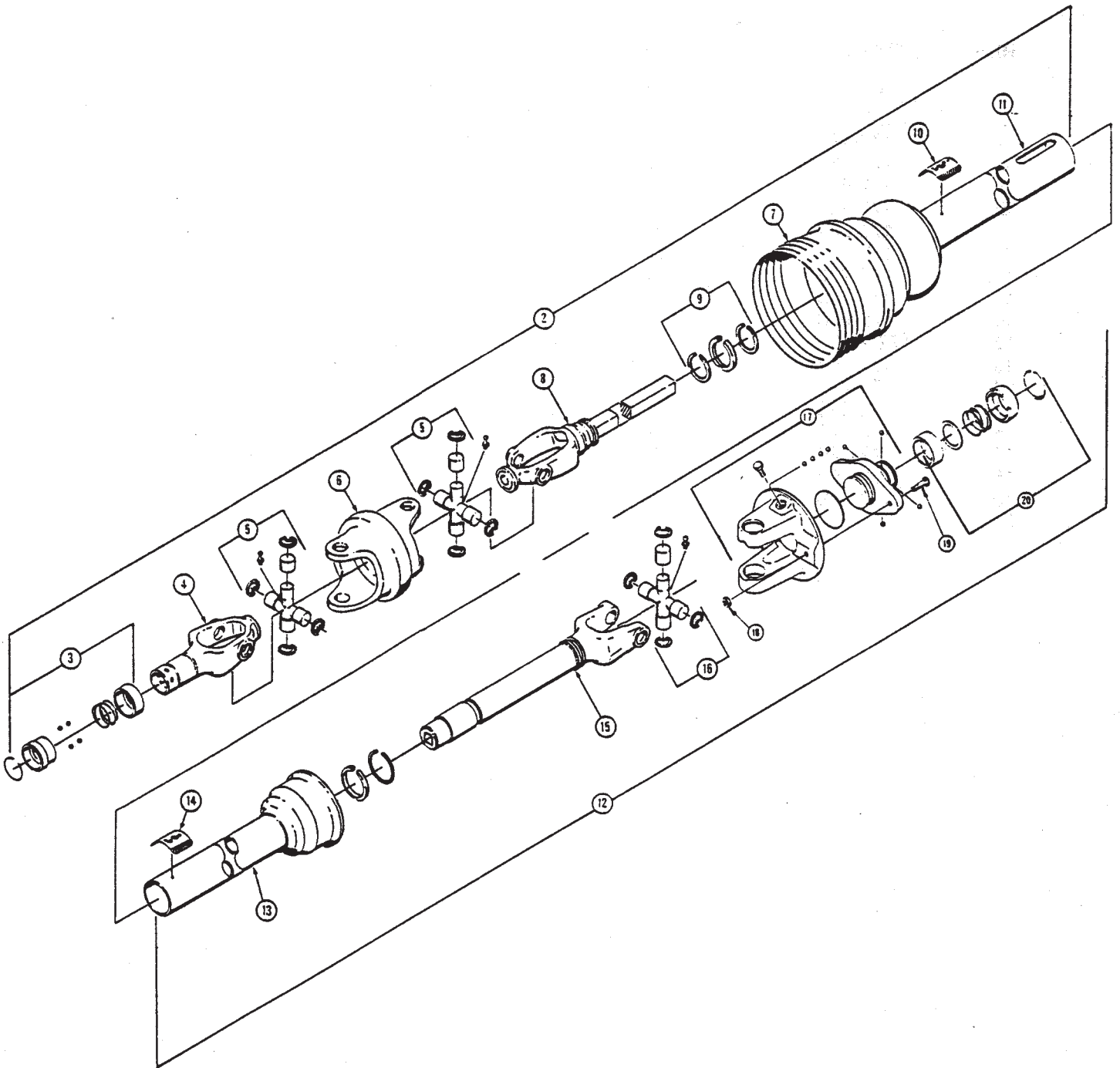
An asterisk (*) at the end of a part number (XXX-XXX*) indicates that the part is no longer used in production for this application. Superscript letters (XXX-XXX^A) refer to footnotes and/or illustration boxes.

PTO DRIVELINE & FRICTION CLUTCH

3375/3450-TOW R020196

**(1000 RPM - 21 SPLINE) Weasler Constant Velocity PTO
(1-3/8" YOKE)**

PTO parts listed are used on units built with serial number(3375-264), (3450-538) and later.



KNIGHT MANUFACTURING CORP. PO BOX 167 BRODHEAD, WI 53520
OFFICE: (608) 897-2131 PARTS/SERVICE: (608) 897-2125 FAX: (608) 897-2561

PTO DRIVELINE & FRICTION CLUTCH

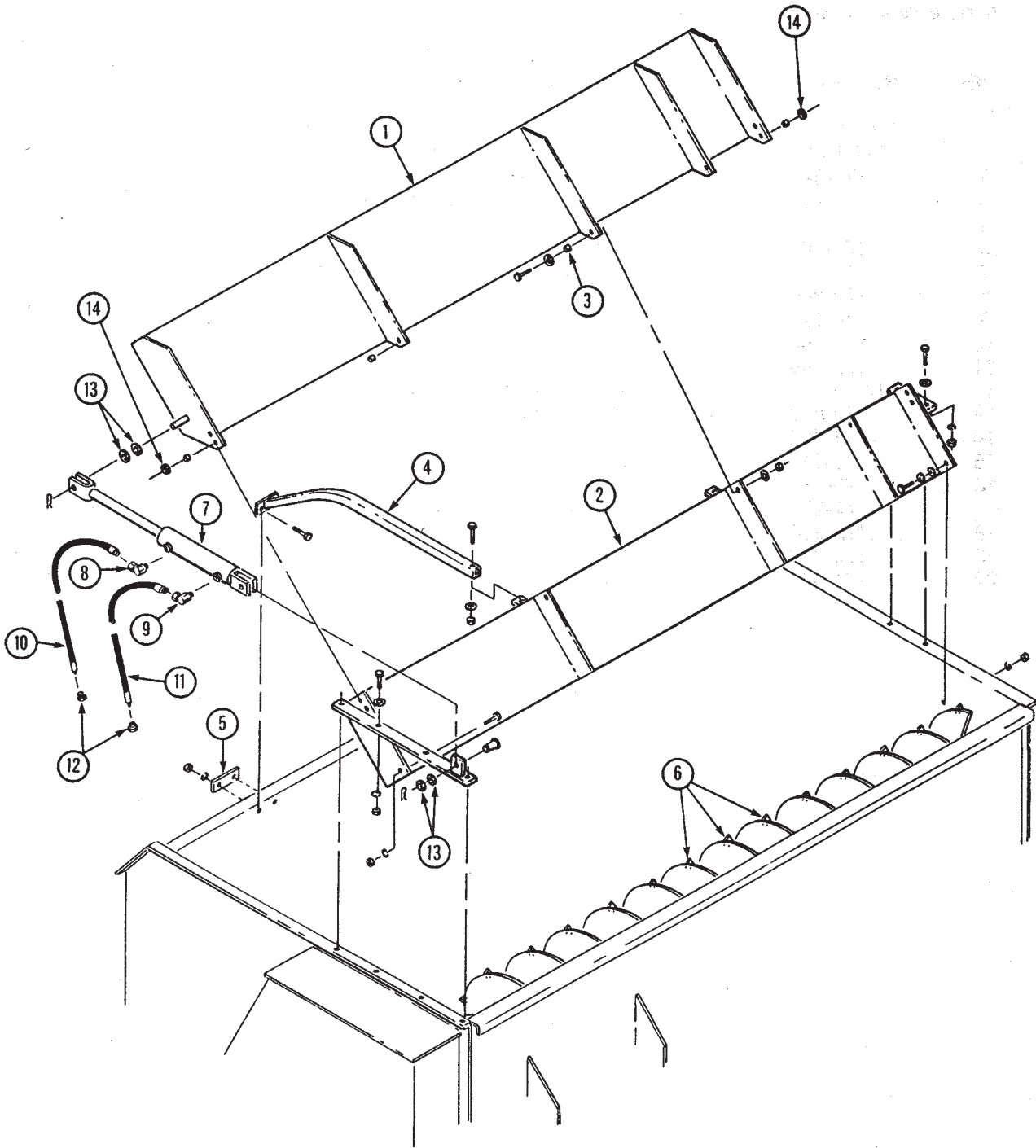
3375/3450-TOW R020196

**(1000 RPM - 21 SPLINE) Weasler Constant Velocity PTO
(1-3/8" YOKE)**

PTO parts listed are used on units built with serial number(3375-264), (3450-538) and later.

REF	PART NO	QTY	DESCRIPTION
1	172-921	1	80° CV- PTO Assembly (<i>Shear bolt type</i>)
2	172-843	1	Outer Joint and Tube Half with Guard
3	171-544	1	Safety Slide Lock Repair Kit
4	172-992	1	Slide Lock Yoke Assembly (<i>1-3/8'</i>)
5	172-852	2	Cross and Bearing Kit
6	172-303	1	Center Housing
7	172-304	1	Bell Extension with Nylon Centralizer
8	172-846	1	Yoke and Shaft Assembly
9	170-220	2	Nylon Repair Kit
10	171-550	1	Safety Decal
11	172-848	1	Outer Guard
12	172-990	1	Inner Joint and Tube Half with Guard
13	172-847	1	Inner Guard
14	171-799	1	Safety Decal
15	172-845	1	Yoke Tube and Slip Sleeve
16	170-776	1	Cross and Bearing Kit
17	172-925	1	Ball Shear Assembly
18	172-986	1	1/4" - 20 x 2" Bolt (Grade 5)
19	170-069	1	1/4" - 20 Locknut
20	171-544	1	Safety Slide Lock Repair Kit

An asterisk (*) at the end of a part number (XXX-XXX*) indicates that the part is no longer used in production for this application. Superscript letters (XXX-XXX^A) refer to footnotes and/or illustration boxes.



KNIGHT MANUFACTURING CORP. PO BOX 167 BRODHEAD, WI 53520
OFFICE: (608) 897-2131 PARTS/SERVICE: (608) 897-2125 FAX: (608) 897-2561

HAY-MAX KIT PARTS

3375/3450 TOW R011695

REF	PART NO	QTY	DESCRIPTION
1	102-016	1	3375 Upper Hay-Max Attachment
	102-018	1	3450 Upper Hay-Max Attachment Mtg Hrd: 1/2" x 1-1/2" Bolt, LN (4 ea), 1/2" FW (6 ea)
2	102-021	1	3375 Lower Hay-Max Attachment
	102-023	1	3450 Lower Hay-Max Attachment Mtg Hrd: 1/2" x 1-1/4" Bolt, LW, FW & Nut (6 ea); 1/2" x 1-1/4" Bolt, LN (1ea); 1/2" FW (A/R)
3	134-771	4	Pivot Bushing
4	102-022	2	Bucket Guard Mtg Hrd: 1/2" x 3" Bolt (1 ea); 3/8" x 1-1/4" Bolt, LW & Nut (2 ea)
5	134-012	2	Bucket Guard Mount
6	133-835 ^A	83	3375 Auger Knife (Quantity Listed Is Total For Hay-Max Option) Mtg Hrd: 1/4" x 3/4" Bolt, LW & Nut (2 ea Knife)
		115	3450 Auger Knife (Quantity Listed Is Total For Hay-Max Option) Mtg Hrd: 1/4" x 3/4" Bolt, LW & Nut (2 ea Knife)
7	172-441	1	Hydraulic Cylinder; 2" Dia. x 10" Stroke Seal Kit Order 172-446
8	171-030	1	90 Degree Swivel Adapter; 3/8"
9	171-723	1	90 Degree Swivel Restrictor; 3/8"
10	170-468	1	Hydraulic Hose; 1/4" x 162"
11	170-471	1	Hydraulic Hose; 1/4" x 170"
12	170-235	2	Reducer Fitting; 1/2" To 3/8"
13	170-122	A/R	Spacer Washer; 1" SAE Flat
14	172-445	2	1/2" Flat Washer
	172-442	1	Electric Switching Valve (Optional) Mounted On Tractor

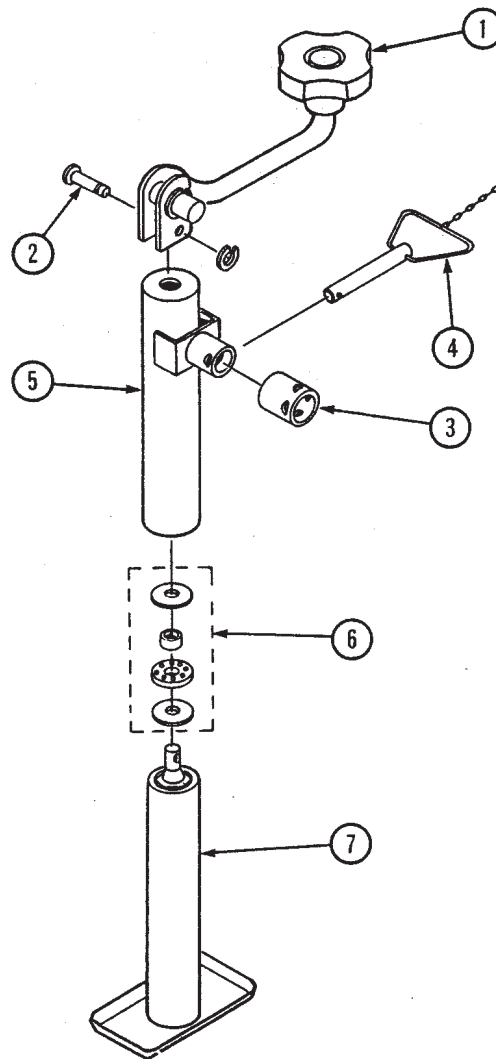
A: Auger knife quantities listed are the total number of knives needed for the Hay-Max option. Knife quantity includes standard factory installed knives on upper auger. Only order quantity needed to total amount of knives listed for field installation.

An asterisk (*) at the end of a part number (XXX-XXX*) indicates that the part is no longer used in production for this application. Superscript letters (XXX-XXX^A) refer to footnotes and/or illustration boxes.

JACKSTAND

3375/3450-TOW R011695

REF	PART NO	QTY	DESCRIPTION
	170-984	1	Jackstand Assy
1	170-386	1	Crank Assy
2	171-860	1	Crank Pin (Includes "C" Washer)
3	170-985	1	Mount Tube
4	170-987	1	Pin And Chain Assy
5	170-986	1	Outer Tube
6	170-397	1	Thrust Bearing Kit
7	171-941	1	Inner Tube Assembly (Includes Nut & Screw)

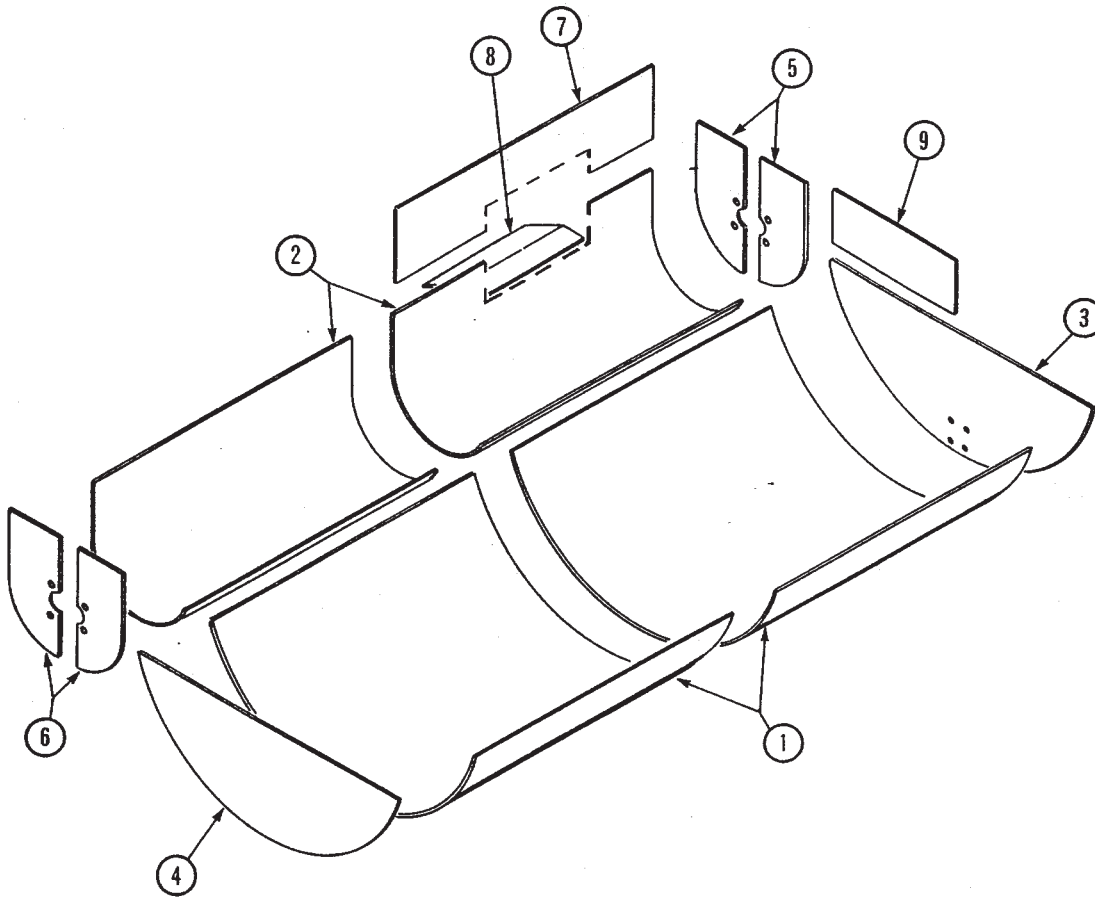


KNIGHT MANUFACTURING CORP. PO BOX 167 BROADHEAD, WI 53520
OFFICE: (608) 897-2131 PARTS/SERVICE: (608) 897-2125 FAX: (608) 897-2561

REPAIR LINER PARTS

3375/3450-TOW R011695

REF	PART NO		QTY	DESCRIPTION
	MILD STEEL	STAINLESS STEEL		
1	134-722	134-975	2	Reel Liner (3375 Only)
	134-724	134-974		
2	134-723	134-977	2	Auger Liner (3375 Only)
	134-725	134-976		
3	134-718	134-984	1	Reel End Panel (Front)
4	134-719	134-983	1	Reel End Panel (Rear)
5	134-720	134-982	1	Auger End Liner (Front) P/N Includes Both Left & Right Halves
6	134-721	134-981	1	Auger End Liner (Rear) P/N Includes Both Left & Right Halves
7	134-704	134-978	1	Upper Door Liner
8	134-716	134-980	1	Door Opening Liner
9	134-717	134-979	1	Upper Reel End Liner
	005518		A/R	Repair Liner Installation Instructions



An asterisk (*) at the end of a part number (XXX-XXX*) indicates that the part is no longer used in production for this application. Superscript letters (XXX-XXX[^]) refer to footnotes and/or illustration boxes.

DECAL & PAINT LIST

3375/3450-TOW R081996

The following decals are listed below for your convenience.
Use the operator's manual for decal location, part number and ordering.

Unit Decals:

PART NO	QTY	DESCRIPTION
172-465	1	Set Of Decals - 3375-Tow
172-466	1	Set Of Decals - 3450-Tow
170-154	2	"KNIGHT"
170-155	2	Knight Head
170-490	1	Important - Reduce Engine Speed . . .
170-849	3	WARNING - Beware of Power Driven . . .
170-893	1	Slow Moving Vehicle Decal
171-712	1	NOTICE - Retighten Set Screws . . .
171-748	1	Door Gauge
171-820	4	DANGER - Rotating Auger Inside . . .
171-905	2	"REEL AUGGIE"
172-453	2	"3375" For 3375 Only
172-454	2	"3450" For 3450 Only
171-911	1	Operating Precautions
171-913	1	WARNING - Do Not Operate . . .
171-915	2	DANGER - Shield Missing . . .
171-916	2	DANGER - Rotating Driveshaft . . .
171-947	4	DANGER - Do Not Hand Load . . .
171-948	1	BEWARE - If Mixer . . .
171-949	1	"U.S. Patent No."
171-992	2	Red Reflector
171-993	1	Friction Clutch Operation
172-238	1	CAUTION - Read Operator's Manual
172-292	1	Full Line
172-453	2	"3375" For 3375 Only
172-454	2	"3450" For 3450 Only

Power Chute and Slide Tray Decals:

171-914	2	WARNING - Stay Clear Of Chute . . .
171-991	1	Decal; Amber Reflector
171-992	1	Decal; Red Reflector

PTO Driveline Decals:

171-550	1	DANGER - Rotating Driveline
171-799	1	DANGER - Shield Missing
171-599	1	Do Not Exceed 540 RPM . . . 540 RPM Only
171-609	1	Do Not Exceed 1000 RPM . . . 1000 RPM Only

Paint:

170-366	Knight Yellow Aerosol Can
170-812	Knight Yellow Quart Can
170-813	Knight Yellow Gallon Can
170-367	Knight Red Aerosol Can
170-814	Knight Red Quart Can
170-815	Knight Red Gallon Can

KNIGHT MANUFACTURING CORP. PO BOX 167 BROADHEAD, WI 53520
OFFICE: (608) 897-2131 PARTS/SERVICE: (608) 897-2125 FAX: (608) 897-2561

Safety Chain for Towed Equipment P/N 172-195

This chain is designed to retain the connection between towing and towed machines, in the event of separation of the primary attaching system. It should be utilized whenever the unit is on the highway.

Light Kit For Towed Equipment

This light kit is designed for lighting and marking of agricultural field equipment whenever the equipment is on a highway. This kit is pre-assembled, and it includes mounting hardware.

PART NO	QTY	DESCRIPTION
300-007	1	Complete Light Kit - Assembled
172-173	2	Red And Amber Light Assembly
172-174	25'	4 Conductor Wire
172-175	1	4 Pin In-Line Connector (Male & Female)

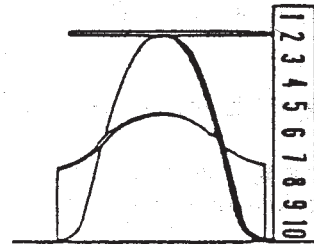
OPTIONS:

172-110	1	7 Pin Female Connector
---------	---	------------------------

FLIGHTING TERMS AND DIMENSIONS

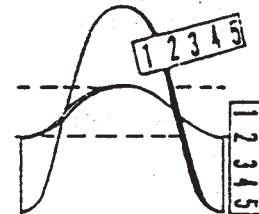
3375/3450-TOW R011695

OUTSIDE DIAMETER: Outside diameter can be determined by laying the flight on a flat surface and measuring from the top to the base. **NOTE:** Dimensions may vary slightly.

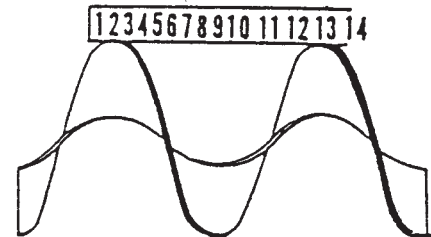


THICKNESS: Thickness of flighting can be determined with any linear measuring instrument.

INSIDE DIAMETER: To find the inside diameter of flight, measure the distance from the inside of the flight to the peak. Then multiply the dimension by two and subtract the answer from the outside diameter dimension.



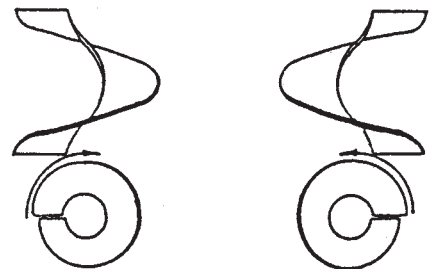
PITCH: Pitch is the dimension from one peak to the next, measured along the axis of the shaft. The term full pitch means that the outside diameter and the pitch are the same.



RIGHT HAND AND LEFT HAND FLIGHTING: As you look at the face of flighting and it is slanting downward to the right; it is right hand and if it is slanting downward to the left; it is left hand.

Flighting dimensions are written in a series similar to the following:

1/4" - 4" - 14" - 14"
Thick - I.D. - O.D. - Pitch



KNIGHT MANUFACTURING CORP. PO BOX 167 BROADHEAD, WI 53520
OFFICE: (608) 897-2131 PARTS/SERVICE: (608) 897-2125 FAX: (608) 897-2561

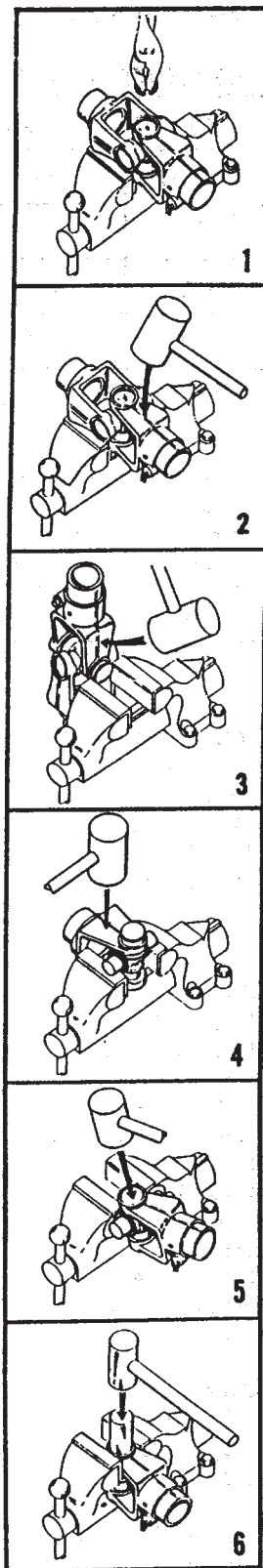
DISASSEMBLY PROCEDURE:

1. Remove the four snap rings as shown in Figure #1.
2. Position the joint in an open vise, with each ear of one yoke supported by a vise jaw. Figure #2
3. With a soft hammer or mallet, strike the top ear of the unsupported yoke as indicated by the arrow in Figure #2. This will drive the top bushing outward approximately 3/8 of an inch.
4. Grip the loosened bushing in the vise as shown in Fig. #3. Drive the yoke off the bushing by striking the yoke ear with a mallet in the direction of the arrow. (Fig. #3)
5. This same procedure should be followed to remove the bushing that is directly opposite the one in Step 4. After this, the yoke itself may be removed.
6. To remove the remaining two bushings, support the cross as shown in Figure #4. Make certain that the vise jaws are covered with brass protectors. By striking the yoke ear as indicated by the arrow in Figure #4, the remaining bushings can be removed by repeating the procedure called for in Step 4 & Figure #3.

ASSEMBLY PROCEDURE:

DURING REASSEMBLY, BE SURE THAT THERE IS NO DIRT ON THE TRUNNIONS OF THE CROSS OR IN THE BUSHINGS!

1. Start one bushing in the yoke ear and position the center cross through the yoke. Drive the first bushing down flush with the outside surface of the ear as shown in Fig. #5. Support the underside of the ear so as not to spring the yoke.
2. Clamp the ear in the vise as shown in Figure #6. Use a punch of the same diameter as the bushing, drive the bushing past the snap ring groove, and insert a snap ring.
3. Position the cross and drive in the opposite bushing as described in Steps 1 & 2, and Insert a snap ring.
4. Assemble the second yoke in the same manner.
5. To insure proper seating, and to eliminate any possible tightness, strike the forged surfaces of the yoke ears with a mallet. This will insure a free flexing joint.
6. Lubricate with a good grade of multipurpose grease.



An asterisk (*) at the end of a part number (XXX-XXX*) indicates that the part is no longer used in production for this application. Superscript letters (XXX-XXX[^]) refer to footnotes and/or illustration boxes.

HARDWARE PART NUMBER LISTING

3375/3450-TOW R011695

All hex head bolts up to and including 7/16" dia are grade 5 unless otherwise specified. All fasteners are NC thread unless otherwise specified.

HEX NUTS AND WASHERS

SIZE	Hex Nuts	Lock Nuts	Jam Nuts	Flat Washer	Lock Washer
#10-32	171-606			171-525	171-605
1/4"	170-125	170-069	171-386	170-301	170-124
5/16"	170-119	170-028		170-127	170-118
3/8"	170-007	170-047	170-022	170-244	170-006
7/16"	170-062	170-239	170-046	170-138	170-061
1/2"	170-004	170-042	170-036	170-040	170-003
5/8"	170-011	170-031	170-037	170-066	170-010
3/4"	170-017	170-185	170-035	170-015	170-016
7/8"	171-776			170-131	172-003
1"				170-122	171-021

HEX HEAD BOLTS

Bolt Size	Part No		
1/4 x 3/4	170-803	3/8 x 2-1/4	170-320
1/4 x 7/8	171-094	3/8 x 2-1/4 (Round Head)	170-375
1/4 x 1	170-310	3/8 x 2-1/2	170-257
1/4 x 1-1/2	170-068	3/8 x 2-1/2 (Full thread)	170-128
1/4 x 2-3/4	171-203	3/8 x 3	170-380
1/4 x 3	171-403	3/8 x 3-1/2	170-292
		3/8 x 4	170-877
5/16 x 5/8	170-532	3/8 x 4-1/2	170-519
5/16 x 3/4	170-262	3/8 x 4-1/2 (Gr 5-Black ox.)	171-318
5/16 x 7/8	170-256	3/8 x 5	170-493
5/16 x 1	170-027	3/8 x 5-1/2	170-593
5/16 x 1-1/4	170-188	3/8 x 6-1/2	171-291
5/16 x 1-1/2	170-372		
5/16 x 1-3/4	170-263	7/16 x 3/4	170-265
5/16 x 2	170-376	7/16 x 1	170-032
5/16 x 2-1/2	170-369	7/16 x 1-1/4	170-354
5/16 x 3	170-295	7/16 x 1-1/2	170-059
5/16 x 3-1/4	171-639	7/16 x 2	170-356
5/16 x 4 (Tap Bolt)	170-293	7/16 x 2-1/2	170-379
5/16 x 4-1/2	170-294	7/16 x 3	170-270
		7/16 x 5-1/2	170-377
3/8 x 3/4	170-439	7/16 x 6	170-378
3/8 x 7/8	170-268		
3/8 x 7/8 (soc. hd. capscrew)	172-044	1/2 x 3/4	171-252
3/8 x 1	170-054	1/2 x 1	170-149
3/8 x 1 (RH. Machine screw)	170-347	1/2 x 1-1/4	170-373
3/8 x 1-1/4	170-005	1/2 x 1-1/2	170-002
3/8 x 1-1/2	170-368	1/2 x 1-3/4	171-774
3/8 x 1-3/4	172-383	1/2 x 2	170-050
3/8 x 2	170-245	1/2 x 2 (cap screw GR 5)	171-802
		1/2 x 2-1/4	172-387
		1/2 x 2-1/2	170-319
		1/2 x 2-1/2 (tap bolt)	171-099
		1/2 x 2-1/2 (Grade 5)	170-885
		1/2 x 2-3/4	172-007
		1/2 x 3	170-168
		1/2 x 3 (Grade 5)	172-490
		1/2 x 3-1/2	170-167
		1/2 x 4	171-509
		1/2 x 4-1/2	171-573
		1/2 x 5	171-412
		1/2 x 8-1/2	170-504
		1/2 x 11	170-506
		5/8 x 1 (G.5)	171-087
		5/8 x 1-1/4	171-366
		5/8 x 1-1/2	170-153
		5/8 x 1-3/4 (Tap Bolt- Gr 5)	170-030
		5/8 x 2 (Grade 5)	170-009
		5/8 x 2 (Tap Bolt)	171-772
		5/8 x 2-1/2 (Tap Bolt)	170-129
		5/8 x 2-1/2	172-381
		5/8 x 3	170-258
		5/8 x 3-1/2	170-038
		5/8 x 2-3/4	172-356
		5/8 x 4	170-371
		5/8 x 4-1/2	170-067
		5/8 x 5	170-065
		5/8 x 5-1/2 (Grade 5)	172-421
		5/8 x 6	170-381
		5/8 x 9-1/2	171-039
		3/4 x 2	170-058
		3/4 x 2 (Grade 5)	171-768

HARDWARE PART NUMBER LISTING

3375/3450-TOW R011695

HEX HEAD BOLTS CONT....

3/4 x 2 (Grade 8)	171-877
3/4 x 2-1/4	171-275
3/4 x 2-1/2	170-374
3/4 x 3	170-014
3/4 x 3-1/2	170-195
3/4 x 3-1/2 (Grade 8)	171-899
3/4 x 4	170-419
3/4 x 4-1/2 (Grade 5)	170-846
3/4 x 6 (Grade 5)	171-116

TRUSS HEAD BOLTS

#6-32 x 3/4	172-416
#8-32 x 1-1/2	171-210
#10-32 x 3/4	171-604
#10-32 x 1	172-882

1/4 x 1/2	170-123
1/4 x 3/4	170-193
1/4 x 1	170-194
5/16 x 1 (Grade 5)	170-117

CARRIAGE BOLTS

1/4 x 1-1/4	170-311
1/4 x 1-1/2	170-355
1/4 x 2	170-299
1/4 x 2-1/2	171-394
1/4 x 2-3/4	170-508
1/4 x 3	170-509

5/16 x 1	170-370
5/16 x 1-1/2	170-296
5/16 x 2-1/2	171-395
5/16 x 5-1/2	170-494

3/8 x 3-1/2	171-283
3/8 x 4-1/2	170-191
3/8 x 5	170-495
3/8 x 6-1/2	171-174
3/8 x 8	170-297
3/8 x 13-1/2	170-300

1/2 x 6-1/2	171-098
1/2 x 9	171-255

ZERKS

1/4-28	170-023
1/4-28 - 45	170-148
1/4-28 - 90	170-049
1/4 NPT	170-277

1/8 NPT	170-865
1/8 NPT-45	170-864
1/8 NPT-65	170-215
1/8 NPT-90	170-866

COTTER PINS

1/16 x 1/2	170-992
3/32 x 3/4	170-364

1/8 x 3/4	170-177
1/8 x 1	170-045
1/8 x 1-1/4	170-033
1/8 x 1-1/2	170-382

5/32 x 1	170-421
5/32 x 1-1/2	170-236
5/32 x 3	170-135

3/16 x 1-1/4	170-991
3/16 x 1-1/2 (linch pin)	170-800
3/16 x 2	170-115

7/32 x 1-3/4	171-834
--------------------	---------

1/4 x 1-1/2	170-521
1/4 x 2	170-056

SET SCREWS

1/4 x 1/4	170-247
-----------------	---------

5/16 x 5/16	170-248
5/16 x 1/2	170-254
5/16 x 1/4 NF	170-993
5/16 x 5/16 NF	170-825
5/16 x 5/8 NF	170-456

3/8 x 1/4	170-856
3/8 x 3/8	170-151
3/8 x 1/2 (nylock)	170-857
3/8 x 3/4 (sq head)	170-289
3/8 x 3/4 (sq hd drilled)	170-290
3/8 x 1	170-021
3/8 x 1/2 NF	171-469

7/16 x 7/16	170-288
7/16 x 1 (sq head)	170-147

1/2 x 5/8	170-249
1/2 x 1	170-438
1/2 x 1-1/4 (half dog point)	171-085

5/8 x 5/8	170-250
-----------------	---------

3/4 X 3/4 (knurled)	170-251
---------------------------	---------

**ROLLER CHAIN
CONNECTOR LINKS**

Size	Part No
#50-2R	170-094
#50	170-088
#60-2R	170-095
#60	170-089
#60H	171-102
#80	170-090
#80H	170-821
#100	170-091
#100H	171-969
#120	170-092
#140	170-093
#160	170-888

OFFSET LINKS

#50	170-096
#50-Double roller	170-102
#60-Double roller	170-103
#60	170-097
#80	170-098
#80H	170-820
#100	170-099
#120	170-100
#140	170-101
#160	170-887

ROLLER LINKS

#50	171-415
#60	171-416
#80	171-417
#80H	170-795
#100	171-418
#100H	172-146
#120	171-419
#140	171-420
#160	172-421

An asterisk (*) at the end of a part number (XXX-XXX*) indicates that the part is no longer used in production for this application. Superscript letters (XXX-XXX^A) refer to footnotes and/or illustration boxes.

PART NUMBER INDEX

3375/3450-TOW R011695

005518	31	134-020	3	170-036	36	170-245	36
101-227	17	134-022	3	170-037	36	170-247	37
101-231	16	134-023	7	170-038	36	170-248	37
101-337	3	134-024	7	170-040	36	170-249	37
101-722	14	134-086	7	170-042	36	170-250	37
101-736	17	134-095	11	170-045	37	170-251	37
101-737	17	134-095	9	170-046	36	170-254	17,37
101-738	17	134-096	9,11	170-047	36	170-256	36
101-739	17	134-097	9,11	170-049	37	170-257	36
101-741	25	134-112	13	170-050	36	170-258	36
101-742	21,25	134-117	5	170-053	3	170-262	17,36
101-747	15	134-123	13	170-054	5,7,36	170-263	36
101-761	7	134-124	13	170-056	37	170-265	36
101-763	13	134-125	3	170-056	25	170-268	36
101-764	13	134-155	3	170-058	36	170-270	36
101-765	13	134-352	9,11	170-059	36	170-277	37
101-766	13	134-362	3	170-061	36	170-288	37
101-767	13	134-366	5	170-062	36	170-289	37
101-774	9	134-368	9,11	170-065	36	170-290	37
101-775	11	134-389	17	170-066	36	170-292	36
101-776	9,11	134-390	17	170-067	36	170-293	36
101-777	9,11	134-395	16	170-068	36	170-294	36
101-781	9	134-409	23	170-069	36	170-295	36
101-783	11	134-500	9,11	170-073	14	170-296	37
101-784	13	134-704	31	170-074	14,17	170-297	37
101-786	7	134-716	31	170-075	14,15,17	170-299	37
101-787	7	134-717	31	170-088	37	170-300	37
101-789	25	134-718	31	170-089	37	170-301	36
101-790	25	134-719	31	170-090	37	170-302	17
101-791	18,19	134-720	31	170-091	37	170-310	36
101-802	13	134-721	31	170-092	37	170-311	37
101-803	13	134-722	31	170-093	37	170-319	36
101-804	13	134-723	31	170-094	37	170-320	36
101-815	13	134-724	31	170-095	37	170-347	36
101-817	3	134-725	31	170-096	37	170-354	36
101-818	3	134-730	9,11	170-097	37	170-355	37
101-835	23	134-757	9,11	170-098	37	170-356	36
101-891	18	134-771	29	170-099	37	170-364	37
101-896	16	134-960	3	170-100	37	170-365	3,7
101-897	17	134-961	3	170-101	37	170-366	32
101-916	21	134-974	31	170-102	37	170-367	32
101-917	23	134-975	31	170-103	37	170-368	36
102-008	7	134-976	31	170-110	17	170-369	36
102-011	9	134-977	31	170-115	15,17,37	170-370	37
102-012	11	134-978	31	170-117	37	170-371	36
102-016	29	134-979	31	170-118	36	170-372	36
102-018	29	134-980	31	170-118	17	170-373	36
102-021	29	134-981	31	170-119	36	170-374	37
102-022	29	134-982	31	170-122	17,29,36	170-375	36
102-023	29	134-983	31	170-123	37	170-376	36
102-091	9,11	134-984	31	170-124	36	170-377	36
102-245	9	135-675	9	170-125	36	170-378	36
102-246	9	135-676	9	170-127	36	170-379	36
102-248	11	135-677	11	170-128	36	170-380	36
102-248	9	135-692	7	170-129	36	170-381	36
102-252	11	135-697	7	170-131	36	170-382	37
102-253	11	135-698	9,11	170-135	17,37	170-386	30
102-254	9	135-704	3	170-138	36	170-397	30
102-255	11	170-002	36	170-142	7	170-415	21,23
102-256	9,11	170-003	36	170-147	37	170-419	37
102-259	7	170-004	36	170-148	37	170-421	37
102-261	3	170-005	36	170-149	36	170-438	37
131-894	5	170-006	36	170-151	37	170-439	36
132-701	17	170-007	36	170-152	3,7	170-456	37
133-277	3	170-008	7	170-153	36	170-465	18,19
133-378	21	170-009	36	170-154	32	170-468	14,15,29
133-445	14	170-010	36	170-155	32	170-471	14,15,29
133-546	5	170-011	36	170-161	17	170-490	32
133-552	7	170-014	37	170-167	36	170-493	36
133-835	9,29	170-015	36	170-168	36	170-494	37
133-835	11	170-016	36	170-177	37	170-495	37
133-924	14	170-017	36	170-185	36	170-504	36
133-942	17	170-021	37	170-188	36	170-506	36
133-943	17	170-022	36	170-191	37	170-508	37
133-951	15,17	170-023	25	170-193	37	170-509	37
133-952	17	170-023	37	170-194	37	170-513	19
133-973	25	170-027	36	170-195	37	170-518	3
133-976	25	170-028	36	170-215	37	170-519	36
133-977	14	170-030	36	170-235	14,15,17,18,19,29	170-521	37
133-978	14	170-031	36	170-236	14,37	170-532	36
134-012	29	170-032	36	170-238	21,23	170-593	36
134-012	7	170-033	37	170-239	36	170-795	37
134-019	3	170-035	36	170-244	5,36	170-800	3,7,37

PART NUMBER INDEX

3375/3450-TOW R011695

170-803	36	171-386	36	171-979	27	172-387	36
170-812	32	171-394	37	171-980	27	172-397	25
170-813	32	171-395	37	171-983	27	172-403	5
170-814	32	171-403	36	171-986	5	172-404	27
170-815	32	171-409	3	171-987	3	172-416	37
170-820	37	171-412	36	171-988	7	172-421	36,37
170-821	37	171-415	37	171-989	7	172-441	29
170-825	37	171-416	37	171-990	7	172-442	29
170-845	7	171-417	37	171-991	32	172-445	29
170-846	37	171-418	37	171-992	32	172-446	29
170-849	32	171-419	37	171-993	32	172-453	32
170-856	37	171-420	37	171-998	18,19	172-453	32
170-857	37	171-424	19	172-003	36	172-454	32
170-859	17	171-426	19	172-005	5,7,15	172-470	32
170-864	37	171-427	17	172-006	3	172-471	32
170-865	5,16,37	171-430	18,19	172-007	36	172-490	36
170-866	37	171-469	37	172-024	5	172-493	3
170-877	36	171-509	36	172-027	5	172-498	21
170-885	36	171-525	36	172-028	27	172-499	21
170-887	37	171-550	27,32	172-029	27	172-500	23
170-888	37	171-558	21	172-030	27	172-784	18
170-893	32	171-573	36	172-033	27	172-800	23
170-918	25	171-576	17	172-036	27	172-801	23
170-919	25	171-585	3	172-037	27	172-802	23
170-920	25	171-599	32	172-038	27	172-803	23
170-921	25	171-604	37	172-040	27	172-804	23
170-922	25	171-605	36	172-044	36	172-822	5
170-923	25	171-606	36	172-046	5	172-823	5
170-924	25	171-609	32	172-110	33	172-882	37
170-925	25	171-616	25	172-128	23	300-006	19
170-926	25	171-639	36	172-130	23	300-007	33
170-927	25	171-666	17	172-134	23	300-010	18
170-928	25	171-668	17	172-138	23	300-022	14
170-929	25	171-696	14	172-140	23		
170-941	14,15	171-712	32	172-141	23		
170-947	15	171-723	29	172-142	23		
170-984	25,30	171-748	32	172-143	23		
170-985	30	171-768	36	172-146	37		
170-986	30	171-772	36	172-165	23		
170-987	30	171-774	36	172-166	23		
170-991	37	171-776	36	172-173	33		
170-992	37	171-782	17	172-174	33		
170-993	37	171-799	32	172-175	33		
171-021	36	171-799	27	172-193	3		
171-030	14,15,17,19,29	171-802	36	172-194	27		
171-032	15	171-820	32	172-195	33		
171-039	36	171-834	37	172-196	27		
171-045	3	171-847	19	172-197	27		
171-048	7	171-860	30	172-198	27		
171-049	7	171-877	37	172-199	27		
171-083	9,11	171-883	17	172-200	27		
171-085	37	171-899	37	172-201	27		
171-087	36	171-905	32	172-202	27		
171-094	36	171-911	32	172-203	27		
171-098	37	171-913	32	172-204	27		
171-099	36	171-914	32	172-205	27		
171-102	37	171-915	32	172-206	27		
171-116	37	171-916	32	172-207	27		
171-136	17,18,19	171-919	3,7	172-208	27		
171-151	17	171-920	9,11,13	172-209	27		
171-158	21,23	171-929	5	172-210	27		
171-174	37	171-932	17	172-211	27		
171-178	17	171-935	5	172-222	27		
171-186	17	171-936	21	172-223	27		
171-189	19	171-936	23	172-227	27		
171-203	36	171-937	15,17	172-238	32		
171-210	37	171-938	17	172-292	32		
171-252	36	171-940	17	172-329	21		
171-255	37	171-941	30	172-331	21		
171-257	17	171-947	32	172-333	21		
171-259	17	171-948	32	172-335	21		
171-260	17	171-949	32	172-336	21		
171-265	16	171-960	21,23	172-337	21		
171-266	16	171-968	5	172-338	21		
171-275	37	171-969	37	172-339	21		
171-283	37	171-972	5	172-340	21		
171-291	36	171-974	27	172-354	23		
171-297	17	171-975	27	172-356	36		
171-318	36	171-976	27	172-381	36		
171-330	17	171-977	27	172-383	36		
171-366	36	171-978	27	172-386	21		
171-380	21,23	171-979	27				

An asterisk (*) at the end of a part number (XXX-XXX*) indicates that the part is no longer used in production for this application. Superscript letters (XXX-XXX[^]) refer to footnotes and/or illustration boxes.