

Reel Auggie 3550

Tow Type

SERVICE PARTS LISTING

TABLE OF CONTENTS

Using This Listing	1
Front End Parts	2-5
Rear End Parts	6-7
Reel & Auger Parts	8-9
Door Parts	10
Slide Tray	11
Power Chute	12-13
Selector Valve - Slide Tray	14
Diverter Valve - Power Chute	15
Eaton Scale Parts	16-17
J-Star Scale Parts	18-19
Undercarriage	20-21
PTO Driveline & Friction Clutch	22-23
Hay-Max Kit Parts	24-25
Jackstand	26
Repair Liner Parts	27
Decal & Paint List	28
Optional Kits	29
Flighting Terms & Dimensions	30
Universal Joint Repair	31
Hardware Listing	32-33
Part Number Index	34-35

ABBREVIATIONS

3550-TOW

Assy	Assembly
A/R	As Required
B	Bolt
Brg	Bearing
BSN	Before Serial Number
BTM	Bottom
C Bolt	Carriage Bolt
Cttr	Cotter
CV	Constant Velocity (Joint)
Dia	Diameter
ea	Each
Eq or Equiv	Equivalent
FLN	Flanged Lock Nut
FW	Flat Washer
Ga	Gauge
Gr or Grd	Grade
Hd	Head
Hyd	Hydraulic
ID	Inside Diameter
Ill or Illus	Illustration
Ind	Indicator
KW	Keyway
LH	Left Hand
LW	Lock Washer
Mtg Hrd	Mounting Hardware
NC	National Coarse
NF	National Fine
OD	Outside Diameter
Pc(s)	Piece(s)
PD	Pitch Diameter
PTO	Power Takeoff (Shaft)
Q or Qty	Quantity
Reg Mach	Regular Machine
RH	Right hand
SN	Serial Number
Sprkt	Sprocket
Sq	Square
Std	Standard
UASN	Used After Serial Number
UBSN	Used Before Serial Number

USING THIS SERVICE PARTS LISTING

3550-TOW

This listing uses a number indentation system to specify the parts of an assembly. Any number which is indented to the right, indicates that it is a component of the item to the upper left. Example:

<u>Part no</u>	<u>Description</u>	<u>Qty</u>
uuu-uuu	Assembly A	2
vvv-vvv	Sub-Assembly B	3
(Component of A)		
www-www	Component of B	5
xxx-xxx	Another Component of B	1
yyy-yyy	Sub-Assembly C	1
(Component of A)		
etc.		

Using this system, the sub-assemblies and their components are included if an **Assembly** is ordered. Similarly, the components of a sub-assembly are included if a sub-assembly is ordered.

The quantity (qty) associated with an assembly, represents the number of times an assembly could be shown in the drawing. The sub-assembly quantity however, is the number of times a sub-assembly is used to build one assembly. Similarly, the component quantity refers to the number of times a given component is found in one sub-assembly.

MODEL AND SERIAL NUMBER INFORMATION is located below the drive shielding (Fig. A). The model number, serial number and part number should be known when asking service personnel for parts.

If you cannot find the part you need, be as descriptive as possible when placing an order:

Sprockets: give the bore size, number of teeth, and number and size of keyways.

Roller chain: give the size of chain (stamped on the side of each link) and number of links.

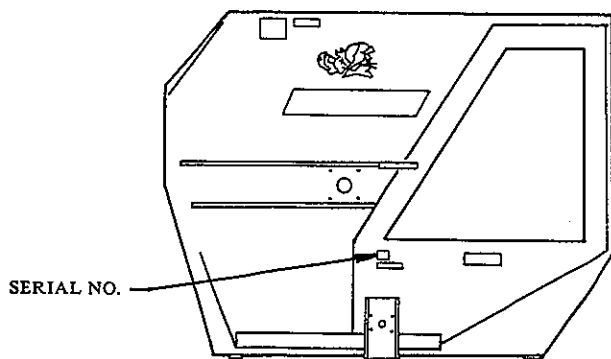
Shafting: give the diameter, length, and number and size of keyways.

Hardware is generally not included with parts. If you need any hardware, check the size, the length, and the grade (Fig. B), then check the hardware list in this manual for the part numbers.

All hex head bolts up to and including 7/16" diameter are grade 5, and nuts are grade B unless otherwise stated.

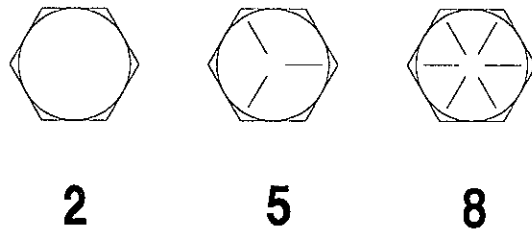
The hardware listing also includes listings for zerks, cotter pins, set screws, and roller chain links.

The illustrations in this manual are meant to be used only as a guide for identifying parts and locating their relative positions.



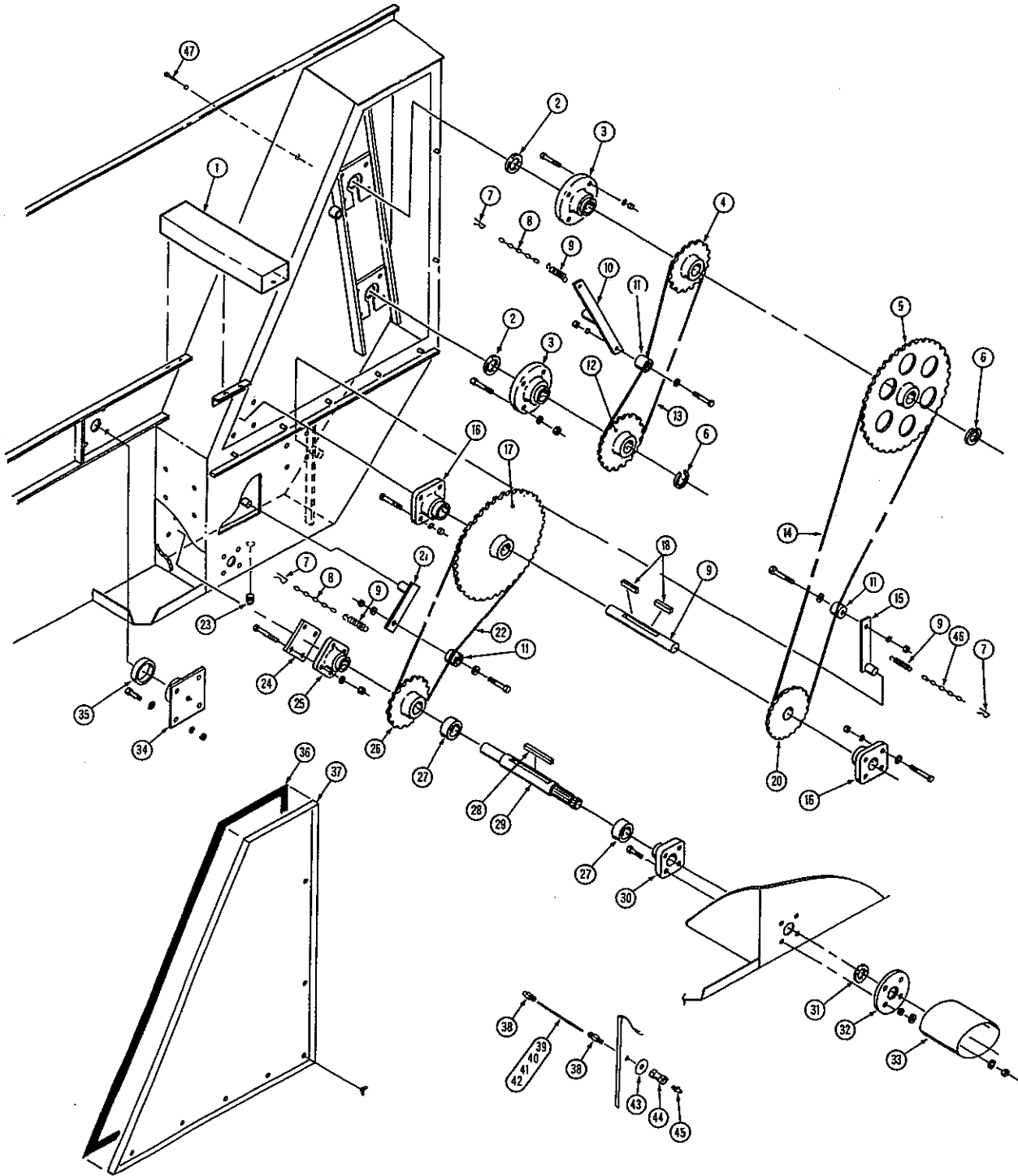
Serial Number Location
Front View
Figure A

BOLT GRADES



Bolt Head Grade Markings
Figure B

An asterisk (*) at the end of a part number (XXX-XXX*) indicates that the part is no longer used in production for this application. Superscript letters (XXX-XXX^a) refer to footnotes and/or illustration boxes.



KNIGHT MANUFACTURING CORP. PO BOX 167 BROADHEAD, WI 53520
OFFICE: (608) 897-2131 PARTS/SERVICE: (608) 897-2125 FAX: (608) 897-2561

FRONT END PARTS

3550-TOW R021495

REF	PART NO	QTY	DESCRIPTION
1	101-337	1	Hose Tunnel Indicator Extension Mtg Hrd: 3/8" x 1" Bolt, LW & Nut (4 ea)
2	133-899	2	Seal; 3" ID
3	171-930	2	Bearing; 3"; Mtg Hrd: 3/4" x 2-1/4" Bolt, LW & Nut (4 ea)
4	134-964	1	Sprocket; 120-B-21, 3" Spline
	134-475 ^A	1	Sprocket; 120-B-19, 3" Spline
5	134-963	1	Sprocket; 100-C-52, 3" Spline
	134-474 ^A	1	Sprocket; 100-C-53, 3" Spline
6	171-934	2	Snap Ring; 3"
7	170-800	3	Clinch Pin
8	171-592	2	Chain; #4 x 46 Links
9	172-005	3	Spring; 6" lg.
10	101-818	1	Tightener Arm
11	134-155	3	Tightener Block Mtg Hrd: 1/2" x 2-3/4" Bolt, LW, FW & Nut (1 ea)
12	134-965	1	Sprocket; 120-B-35, 3" Spline
	134-476 ^A	1	Sprocket; 120-B-25, 3" Spline
13	172-494	1	Roller Chain; 120-1-62 P.
	172-347 ^A	1	Roller Chain; 120-1-56 P.
14	172-346	1	Roller Chain; 100-1-102 P.
15	101-947	1	Tightener Arm
16	170-008	2	Bearing; 2" Mtg Hrd: 5/8" x 2" Bolt, LW & Nut (4) Rear 5/8" x 1-3/4" Bolt, FW, LW & Nut (4) Front
17	135-606	1	Sprocket; 80-B-53, 2" Bore, 1/2" KW, Inc. 170249 S.S.
	134-471 ^A	1	Sprocket; 80-B-63, 2" Bore, 1/2" KW, Inc. 170249 S.S.
18	170-898	2	Key; Square, 1/2" x 2-1/2"
19	134-569	1	Counter Shaft
20	134-962	1	Sprocket; 100-B-23, 2" Bore, 1/2" KW, Inc. 170151 S.S.
	134-473 ^B	1	Sprocket; 100-B-20, 2" Bore, 1/2" KW, Inc. 170151 S.S.
21	101-948	1	Tightener Arm
22	172-864	1	Roller Chain; 80-1-82 Pitch, W/C Link (540 RPM)
	171-467 ^B	1	Roller Chain; 80-1-87 Pitch, W/C Link (540 RPM)
	172-865	1	Roller Chain; 80-1-78 Pitch, W/C Link (1000 RPM)
	171-801 ^B	1	Roller Chain; 80-1-84 Pitch, W/C Link (1000 RPM)
23	171-919	1	Drain Plug; 1-1/4" PVC
24	134-570	1	Bearing Spacer
25	171-585	1	Bearing; 1-3/8" 4-Bolt, Eccentric Lock Flange Mtg Hrd: 1/2" x 2" Bolt, FW, LW & Nut (3 ea)
26	134-470	1	Sprocket; 80-B-20, 1-1/2" Bore, 3/8" KW (540 RPM)
26	134-469	1	Sprocket; 80-B-11, 1-1/2" Bore, 3/8" KW (1000 RPM)
27	172-287	2	Lock Collar
28	171-409	1	Key; Square, 3/8" - 1-1/4"
29	134-568	1	Shaft; Front Counter
30	172-288	1	Bearing; 1-1/2", Eccentric Lock Mtg Hrd: 1/2" x 2-1/4" Bolt, FW (8 ea), LN (8 ea)

A: Front drive sprocket combinations have changed and are not interchangeable. Use before serial number 080.

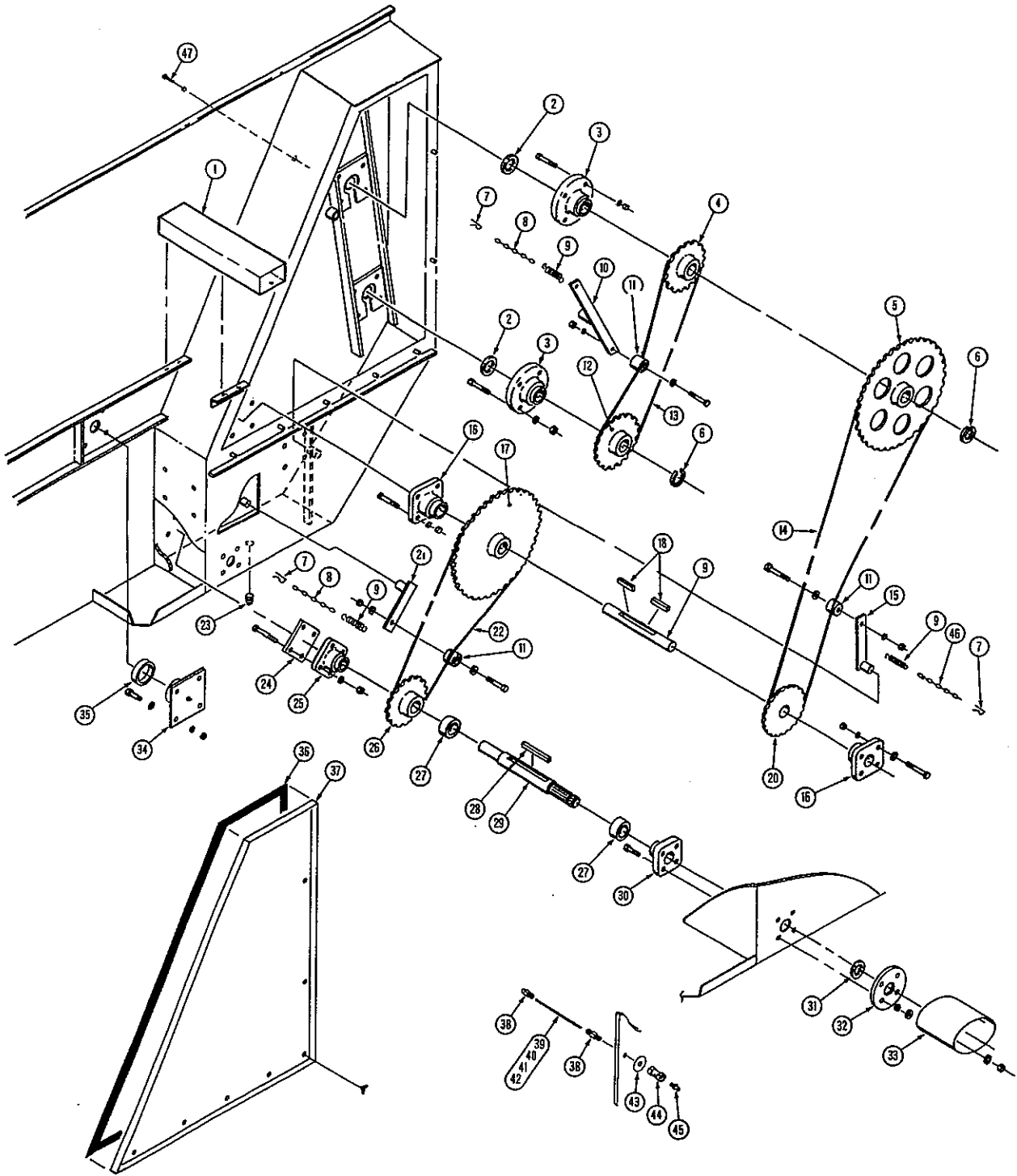
B: Sprocket size and roller chain have changed, Use before serial number 215.

An asterisk (*) at the end of a part number (XXX-XXX*) indicates that the part is no longer used in production for this application.

Superscript letters (XXX-XXX^A) refer to footnotes and/or illustration boxes.

FRONT END PARTS

3550-TOW R100794



KNIGHT MANUFACTURING CORP. PO BOX 167 BROADHEAD, WI 53520
OFFICE: (608) 897-2131 PARTS/SERVICE: (608) 897-2125 FAX: (608) 897-2561

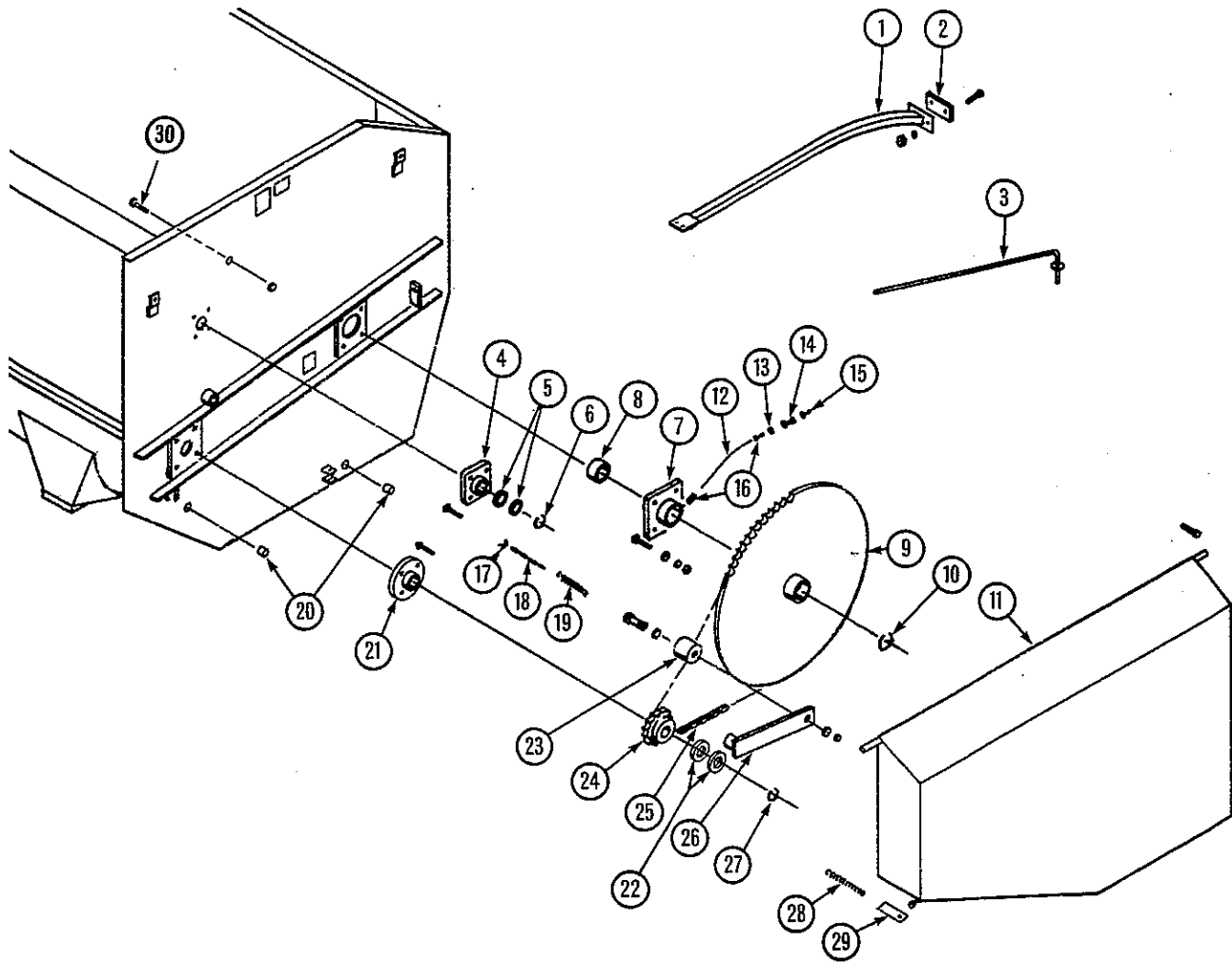
FRONT END PARTS

3550-TOW R100794

REF	PART NO	QTY	DESCRIPTION
31	172-355	1	Seal
32	134-490	1	Plate; Retainer
33	171-972	1	Shield; PTO Input
34	101-940	1	Bearing Housing Ass'y. Mtg Hrd; 5/8" x 1-3/4" Bolt, FW, LW & Nut (4 ea)
35	172-291	1	Front Reel Bearing
36	171-935	15'	Gasket; Front Shield
37	134-117	1	Front Shield Mtg Hrd: 171-929 Wing Nut & FW (12)
38	172-822	12	Compression Fitting; 1/8" NPT, Male
	172-823	3	Compression Fitting; 1/4" Straight, Male
39	172-026	2	Nylon Tube; 10" Long x 3/16 O.D.
40	172-390	1	Nylon Tube; 37" Long x 3/16 O.D.
41	172-045	1	Nylon Tube; 12" Long x 3/16 O.D.
42	172-375	2	Nylon Tube; 19" Long x 3/16 O.D.
43	170-244	6	3/8" Flat Washer
44	172-024	6	Pipe Coupling; 1/8" NPT
45	170-865	7	Zerk Fitting; 1/8" NPT
46	170-518	1	Chain: #4 x 30 Links
47	170-054	1	No Hay Max Kit; 1/2" x 1" Bolt, LN (Hole Plug)

An asterisk (*) at the end of a part number (XXX-XXX*) indicates that the part is no longer used in production for this application.

Superscript letters (XXX-XXX^A) refer to footnotes and/or illustration boxes.



KNIGHT MANUFACTURING CORP. PO BOX 167 BRODHEAD, WI 53520
OFFICE: (608) 897-2131 PARTS/SERVICE: (608) 897-2125 FAX: (608) 897-2561

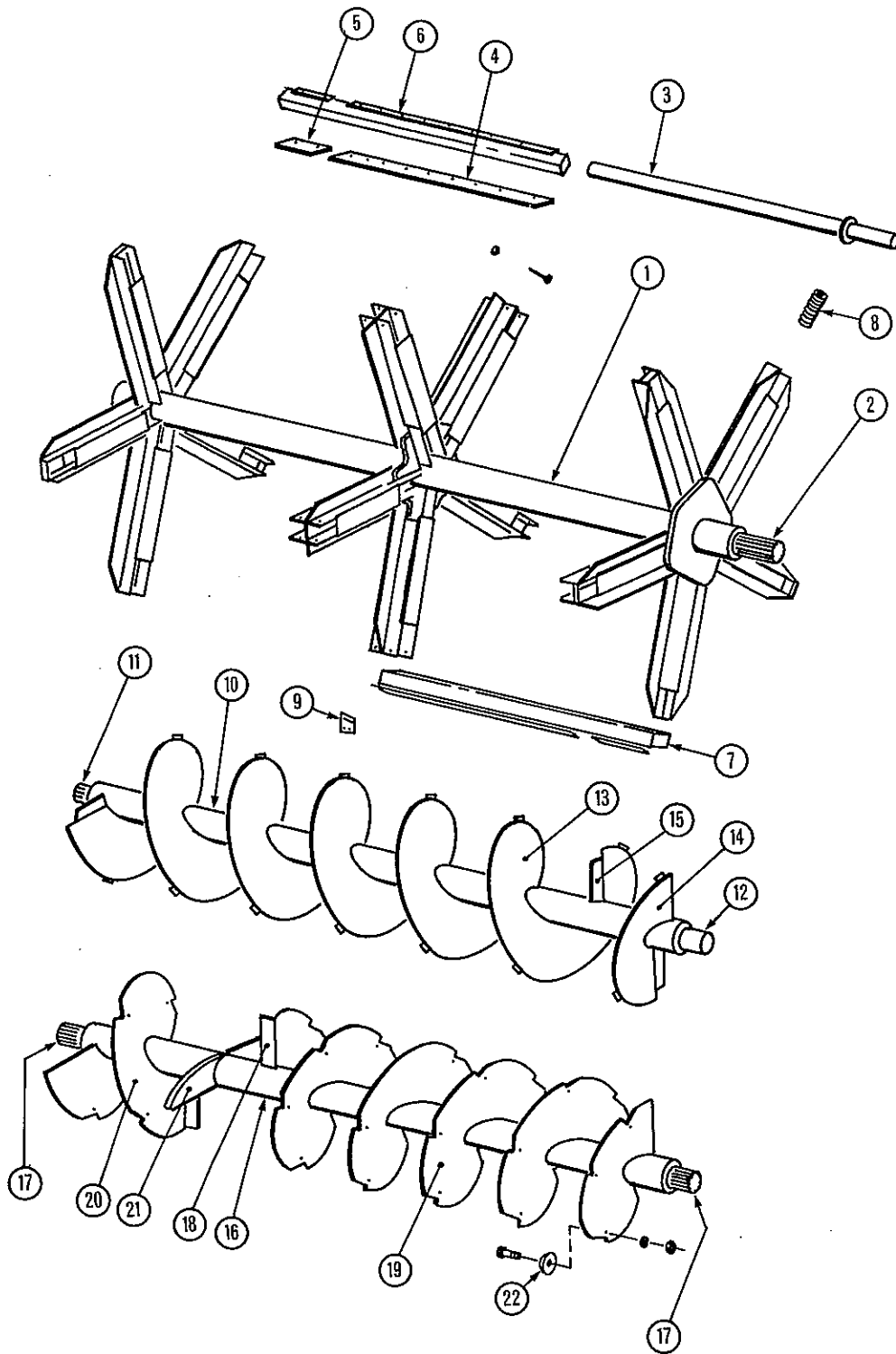
REAR END PARTS

3550-TOW R100794

REF	PART NO	QTY	DESCRIPTION
1	102-008	3	Bucket Guard Mtg Hrd: 3/8" x 1-1/4" Bolt, LW & Nut (3 ea)
2	134-012	3	Crossbar Mount
3	101-787	1	Prop Rod Assembly
4	170-008	1	Bearing; 2" Mtg Hrd: 5/8" x 1-3/4" Bolt, LW & Nut (4 ea)
5	171-048	A/R	Machine Bushing; 2" ID x 3" OD x .062" Thick
5	171-049	A/R	Machine Bushing; 2" ID x 3" OD x .127" Thick
6	170-142	1	Retaining Ring; 2" External
7	101-939	1	Reel Bearing Assy; Mtg Hrd: 5/8" x 1-3/4 Bolt, FW, LW & Nut (8 ea)
8	172-290	1	Bearing
9	134-447	1	Sprocket; 140-B-82, 5" Spline
10	172-289	1	Snap Ring; 5" External
11	101-786	1	Rear Shield Assembly Mtg Hrd: 3/8" x 1-1/4" Bolt, LW & Nut (2 ea)
12	171-302	1	Nylon Tube; 27-1/2" Long x 3/16 O.D.
13	170-244	1	Washer; 3/8"
14	172-024	1	Fitting; 1/8" NPT
15	170-865	1	Fitting; Zerk, 1/8" NPT Straight
16	172-822	2	Compression Fitting
17	170-800	1	Clinch Pin
18	170-845	1	Machine Chain; #4 x 17 Link
19	172-005	1	Spring; 6" Long
20	171-919	2	Drain Plug; 1-1/4" PVC
21	171-930	1	Bearing; 3" Mtg Hrd: 3/4" x 2-1/4" Bolt, LW & Nut
22	172-367	A/R	Washer - Machine Bushing; 14GA x 4-1/4" x 3"
22	172-368	A/R	Washer - Machine Bushing; 10GA x 4-1/4" x 3"
23	134-155	1	Tightener Block Mtg Hrd: 1/2" x 2-3/4" Bolt, FW, LW & Nut
24	134-446	1	Sprocket; 140-B-11, 3" Spline
25	172-348	1	Roller Chain; 140-1-104 P.
26	101-947	1	Chain Tightener Arm
27	171-934	1	Snap Ring; 3"
28	172-005	2	Spring; 6" Long
29	133-552	2	Belt Spring Handle
30	170-054	1	No Hay Max Kit Option; 1/2" x 1" Bolt, LN (1 ea)

An asterisk (*) at the end of a part number (XXX-XXX*) indicates that the part is no longer used in production for this application.

Superscript letters (XXX-XXX^a) refer to footnotes and/or illustration boxes.



KNIGHT MANUFACTURING CORP. PO BOX 167 BRODHEAD, WI 53520
OFFICE: (608) 897-2131 PARTS/SERVICE: (608) 897-2125 FAX: (608) 897-2561

REEL AND AUGER PARTS

3550-TOW R122294

REF	PART NO	QTY	DESCRIPTION
1	101-930	1	Reel Weldment
2	101-931	1	Rear Plug Assembly
3	101-936	8	Reel Cross Pipe; Mtg Hrd: 3/8" x 4-1/2" Bolt & LN (1 ea)
4	134-560	2	Plastic Wiper Blade; 73-3/8" Long Mtg Hrd: 1/4" x 7/8" Bolt, LW, FW & Nut (15 ea)
5	134-123	2	Plastic Wiper Blade; Mtg Hrd: 1/4" x 7/8" Bolt, LW, FW & Nut (2 ea)
6	101-935	1	Front Cross Tube Wiper Assembly; Mtg Hrd: 3/8" x 4-1/2" Bolt & LN
7	101-937	1	Rear Cross Tube Wiper Assembly Mtg Hrd: 3/8" x 4-1/2" Bolt & LN
8	171-920	20	Spring; Compression 2-3/8" OD x 16" LG
9	133-835	37	Upper Auger Knife; Mtg Hrd: 1/4" x 7/8" Bolt, FW & LN
10	102-013	1	Upper Auger Assembly
11	102-092	1	Front Plug Assembly
12	101-929	1	Rear Plug Assembly
13	134-454	13	Flight; 3/8" x 5" x 20" x 20" RH
14	134-453	1	Flight; 3/8" x 5" x 20" x 20" x 7-3/4" LH
15	134-757	5	Flighting Support Bar
16	101-925	1	Lower Auger Assembly
17	101-926	2	Plug Assembly
18	134-547	2	Gusset
19	134-455	7	Flight; 1/2" x 5-3/4" x 20" x 20" LH
20	134-456	1	Flight; 1/2" x 5-3/4" x 20" x 20" RH
21	134-491	2	Paddle
22	134-352	23	Lower Auger Knife; Mtg Hrd: 3/8" x 1-1/4" Bolt, LW & Nut

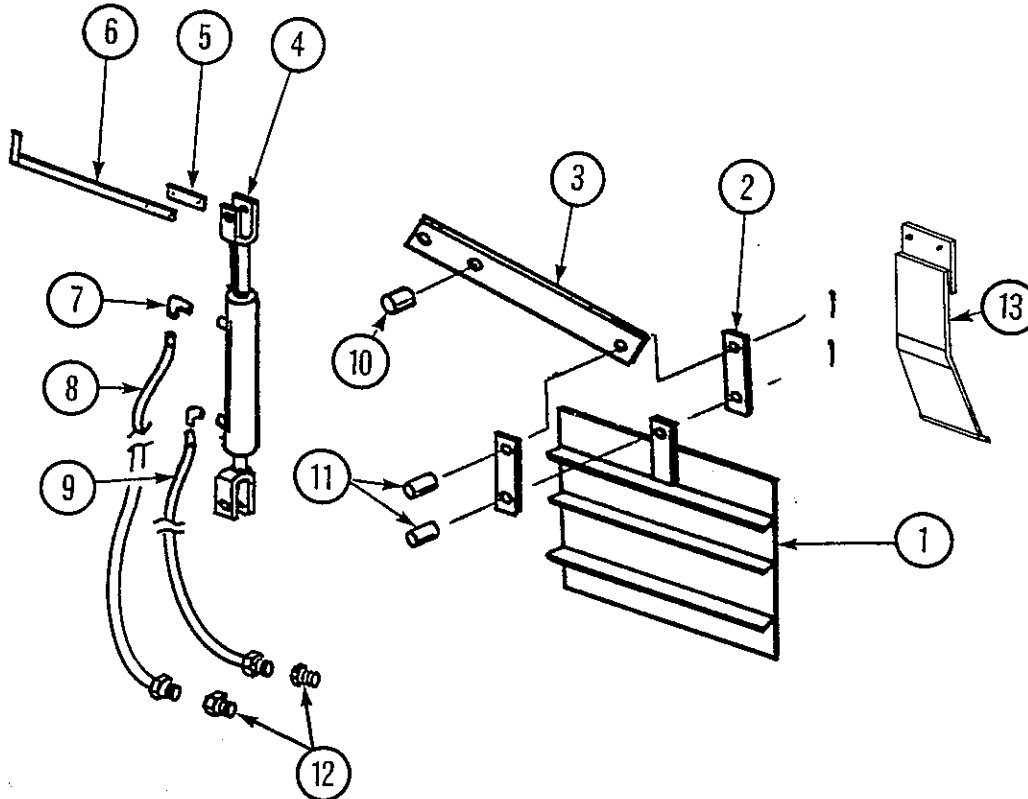
An asterisk (*) at the end of a part number (XXX-XXX*) indicates that the part is no longer used in production for this application.

Superscript letters (XXX-XXX^a) refer to footnotes and/or illustration boxes.

DOOR PARTS

3550-TOW R100794

REF	PART NO	QTY	DESCRIPTION
1	101-722	1	Door Assembly
2	133-445	2	Door Linkage Bar; 3/8" x 2" x 8"
3	133-924	1	Door Pivot Bar; 5/8" x 4" x 31"
4	170-941	1	Hyd Cylinder; 2" Dia x 8" Stroke Seal Kit; Order #170-075
5	133-978	1	Door Gauge Mount; 1/8" x 5/8" x 3-1/4"
6	133-977	1	Door Gauge; 1/8" x 5/8" x 18-1/2" Mtg Hrd: 1/4" x 1" Truss Head Bolt, LW & Nut (2 ea)
7	171-030	2	Swivel Adapter; 3/8" - 90 Degrees
8	170-471	1	Hyd Hose; 1/4" x 170"
9	170-468	1	Hyd Hose; 1/4" x 162"
10	170-073	1	Pin (1" Dia) For Door Pivot Bar (133-924) Secures With 170-074 Hairpin Clip
11	171-696	2	Pin For Door Linkage Bar (133-445) Secures With 170-236 (5/32" x 1-1/2" Ctr. Pin)
12	170-235	2	Reducer Bushing; 1/2" To 3/8"
13	300-022	A/R	Door Flow Control Plate Kit (Optional, Max Qty 2) 5/16" x 1" Bolt, LW & Nut (2 ea), 5/16" x 1-1/4" Bolt, LW & Nut (2 ea)

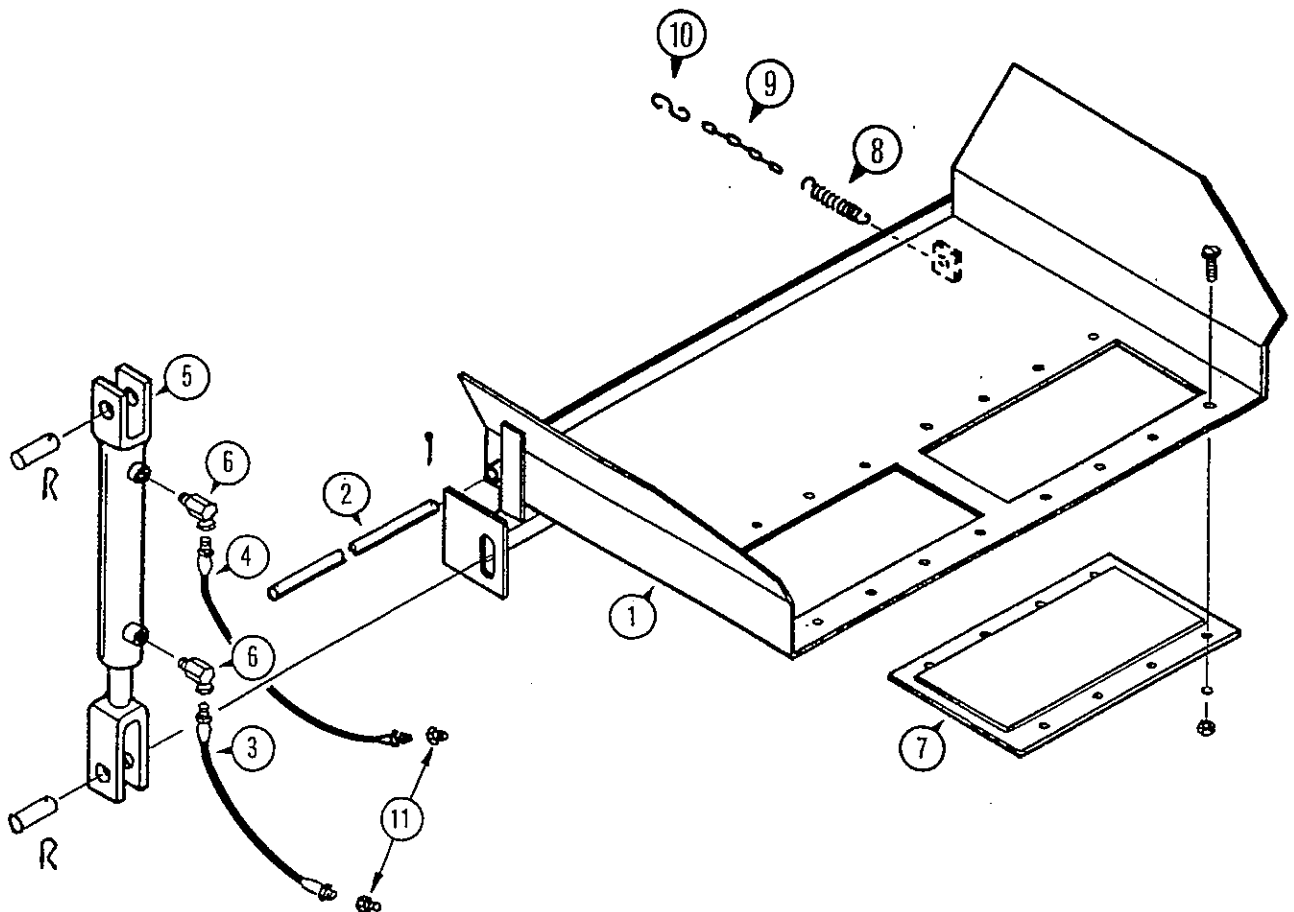


KNIGHT MANUFACTURING CORP. PO BOX 167 BRODHEAD, WI 53520
 OFFICE: (608) 897-2131 PARTS/SERVICE: (608) 897-2125 FAX: (608) 897-2561

SLIDE TRAY PARTS

3550-TOW R100794

REF	PART NO	QTY	DESCRIPTION
1	101-747	1	Slide Tray Assembly (See Decal Section For Decals)
2	133-951	1	Tray Mtg Rod; 3/4" x 39-1/2" Long Mtg Hrd: 170-115 Cotter Pin (2 ea)
3	170-468	1	Hydraulic Hose Assy; 1/4" x 162"
4	170-471	1	Hydraulic Hose Assy; 1/4" x 170"
5	170-941	1	Hydraulic Cylinder; 2" x 8" Stroke Seal Repair Kit; 170-075
6	171-030	2	Swivel Connector; 3/8" - 90 Degree
7	171-937	2	Magnet; Mtg Hrd: 1/4" x 3/4" Truss Head Bolt, LW, FW & Nut (12 ea)
8	172-005	1	Spring
9	171-032	1	Machine Chain; #4 x 10 Link
10	170-947	1	S-Hook
11	170-235	2	Reducer Bushing; 1/2" To 3/8"

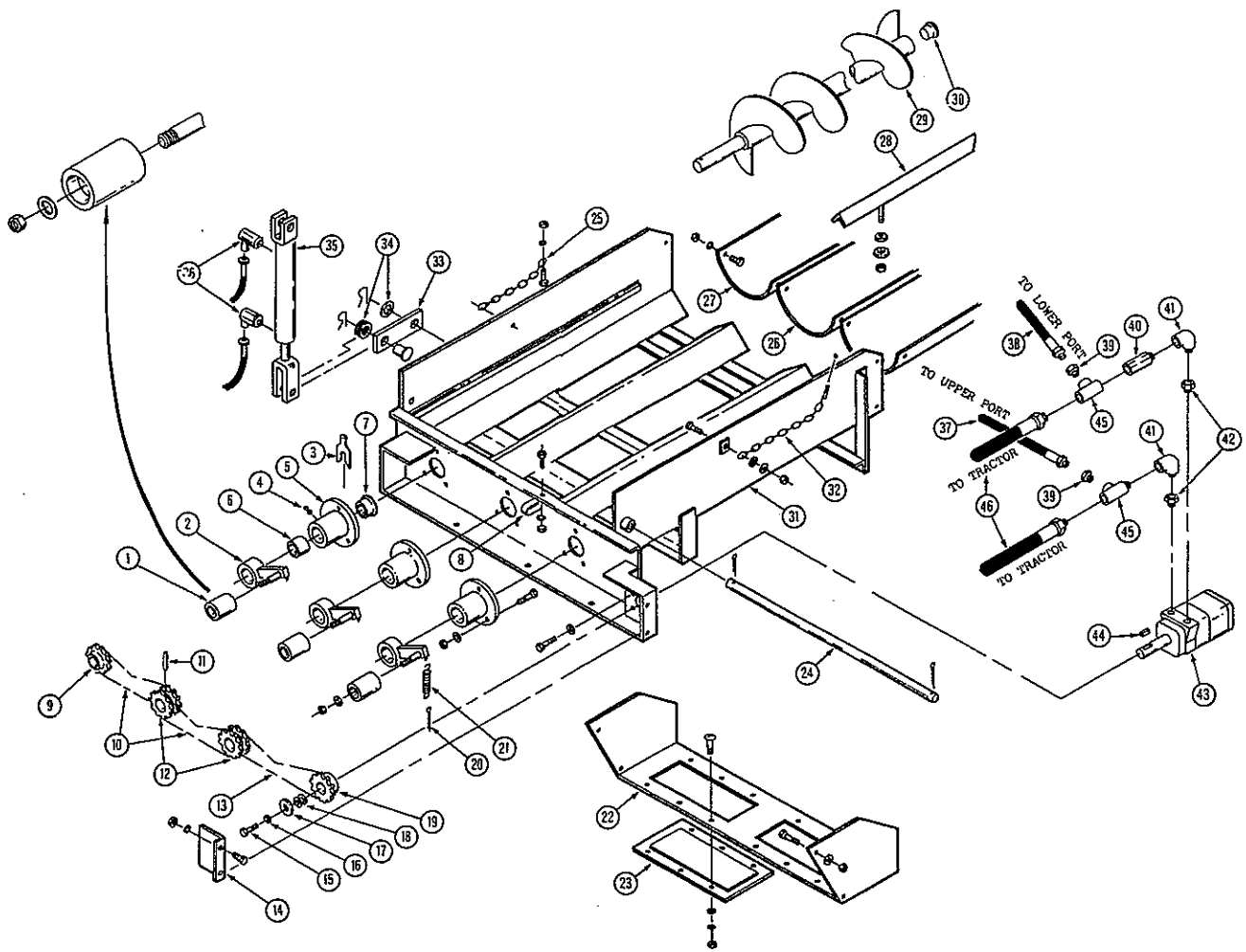


An asterisk (*) at the end of a part number (XXX-XXX*) indicates that the part is no longer used in production for this application.

Superscript letters (XXX-XXX[^]) refer to footnotes and/or illustration boxes.

POWER CHUTE PARTS

3550TOW R100794



POWER CHUTE PARTS

REF	PART NO	QTY	DESCRIPTION
	101-896	1	Complete Chute Assembly
1	134-395	3	Poly Block Mtg Hrd: 5/8" LW & Jam Nut
2	101-231	3	Chain Tightener Arm
3	171-265	A/R	Shim; .017" Thick
	171-266	A/R	Shim; .030" Thick
4	170-865	3	Zerk; 1/8" NPT
5	101-227	3	Auger Bearing Assembly; Mtg Hrd: 1-3/8" x 1" Bolt, LW & Nut (3 ea)
6	171-259	1	Bushing; Bronze, 1-3/8" I.D.
7	171-260	1	Bushing; Bronze 1-3/8" I.D. Flanged
8	171-782	1	Double Hose Clamp Mtg Hrd: 5/16" x 3/4" Bolt, LW & Nut

KNIGHT MANUFACTURING CORP. PO BOX 167 BROADHEAD, WI 53520
 OFFICE: (608) 897-2131 PARTS/SERVICE: (608) 897-2125 FAX: (608) 897-2561

POWER CHUTE PARTS

3550-TOW R100794

REF	PART NO	QTY	DESCRIPTION
9	132-701	1	Sprocket; 50-B-18, 1-3/8" Bore
10	171-932	2	Roller Chain; 50-1-56 Pitch
11	171-297	3	Roll Pin; 1/4" x 2-1/2"
12	134-390	2	Sprocket; 50-2R-18, 1-3/8" Bore
13	171-178	1	Roller Chain; 50-1-48 Pitch
14	134-394	1	Motor Drive Shield; Mtg Hrd: 5/16" x 3/4" Bolt, LW & Nut (2 ea)
15	170-262	1	Bolt; 5/16" x 3/4" Hex Head
16	170-118	1	Washer; 5/16" Lock
17	170-302	1	Washer; 3/8" Heavy
18	171-576	1	Machine Washer
19	134-389	1	Sprocket; 50-B-18, 1" Bore
20	170-135	3	Cotter Pin; 5/32" x 3"
21	170-110	3	Spring
22	101-737	1	Tipoff Assembly; Mtg Hrd: 5/16" x 3/4" Bolt, LW & Nut (2 ea)
23	171-937	2	Magnet Mtg Hrd: 1/4" x 3/4" Truss Head Bolt LW, FW & Nut (6 ea)
24	133-951	1	Tipoff Pivot Rod Mtg Hrd: 170-115 Cotter Pin (2 ea)
25	171-938	1	Chain; 4/0 Coil x 21 Link; Mtg Hrd: 5/16" x 1" Truss Head Bolt,FW, LW & Nut; 5/16" x 1" Bolt, FW (2 ea), FLN
26	133-943	1	Plastic Chute Liner - Center
27	133-942	2	Plastic Chute Liner - Side Mtg Hrd: 1/4" x 3/4" Truss Head Bolt, LW & Nut (2 ea)
28	101-738	2	Liner Hold-Down Assy; Mtg Hrd: 3/8" FW, LN; 1/2" LN (Grade 8)(2 ea)
29	101-736	3	Auger Assy
30	171-186	3	Plastic Cap Plug; #16
31	101-897	1	Chute Weldment
32	101-739	1	Chute Restraint Chain Assy Mtg Hrd: 5/16" x 1" Truss Head Bolt, FW, LW & Nut; 3/8" FW, LN
33	133-952	1	Chute Cylinder Linkage Bar Mtg Hrd: 170-074 Hairpin Clip (2 ea)
34	170-122	A/R	Spacer Washer; 1" Sae Flat
35	170-161	1	Hydraulic Cylinder; 2" x 18" (Seal Kit #170-075)
36	171-030	2	Swivel Adapter; 3/8" x 90 Degree
37	171-427	1	Hyd Hose; 1/4" x 80" Overall Length
38	171-940	1	Hyd Hose; 1/4" x 64" Overall Length
39	170-235	2	Reducer Bushing; 1/2" to 3/8"
40	171-151	1	Line Check Valve; 1/2"
41	171-136	2	90 Degree Street Elbow; 1/2"
42	171-668	2	Straight Thread Adapter
43	171-666	1	Hyd Motor; 12 cu. in. (Seal Kit #171-257) Mtg Hrd: 3/8" x 7/8" Bolt, LW, & Nut (4 ea)
44	171-883	1	Key; 1/4" x 1/4" x 1" Long
45	170-859	2	Service Tee; 1/2"
46	171-330	2	Hyd Hose; 1/2" x 168" Overall Length

An asterisk (*) at the end of a part number (XXX-XXX*) indicates that the part is no longer used in production for this application.

Superscript letters (XXX-XXX[^]) refer to footnotes and/or illustration boxes.

SELECTOR VALVE - SLIDE TRAY OPTION

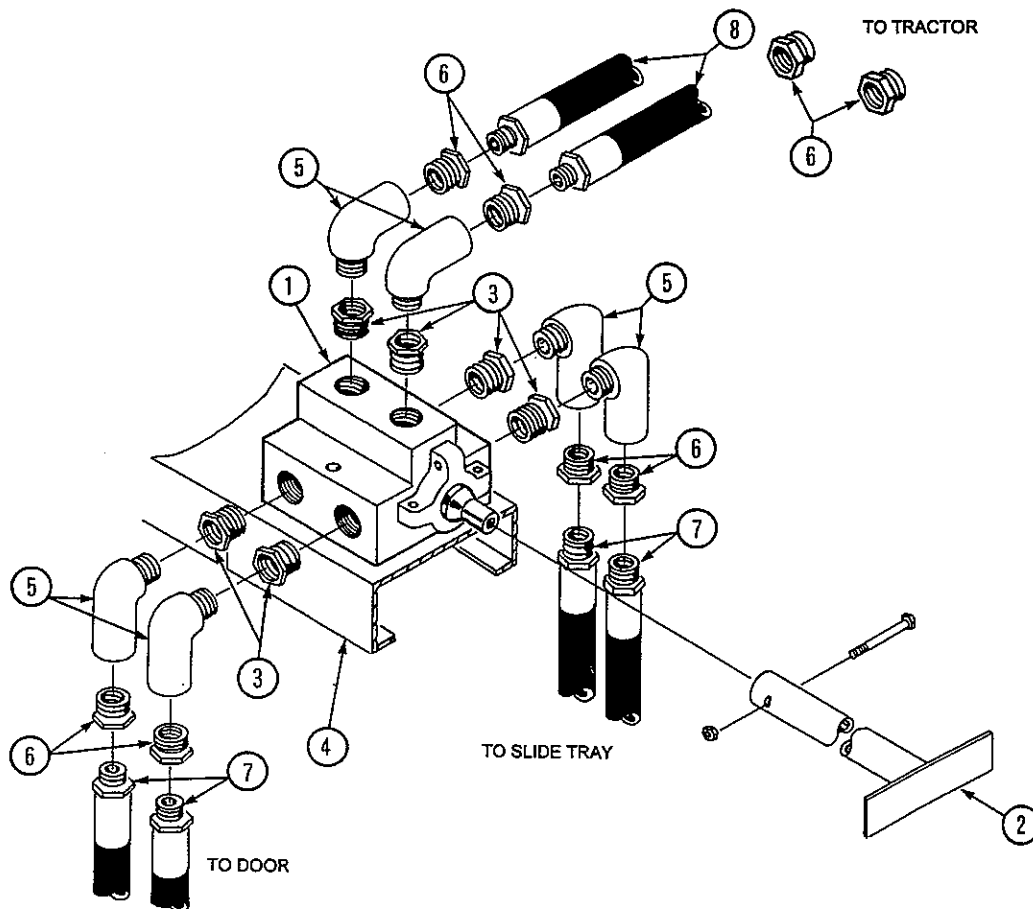
3550-TOW R100794

FACTORY INSTALLED PARTS:

REF	PART NO	QTY	DESCRIPTION
1	101-891	1	Selector Valve Assembly, W/Sleeve (Seal Kit #172-784) Mtg Hrd: 3/8" x 3" Bolt, LW & Nut (2 ea)
2	101-791	1	Control Handle Assembly Mtg Hrd: 1/4" x 1-1/2" Bolt & LN
3	171-430	6	Reducer Bushing; 3/4" Male To 1/2" Female
4			Hose Holder Assembly (Shown For Reference Only)
5	171-136	6	Street Elbow; 1/2" - 90 Degree
6	170-235	8	Reducer Bushing; 1/2" Male To 3/8" Female
7	170-465	4	Hyd Hose 1/4" x 127"
8	171-998	2	Hyd Hose 1/4" x 117"

FIELD INSTALLATION NOTE:

The field installation kit (P/N 300-010) contains all of the above parts except for four reducer bushings (P/N 170-235) and four hydraulic hoses (P/N 170-465).



KNIGHT MANUFACTURING CORP. PO BOX 167 BROADHEAD, WI 53520
OFFICE: (608) 897-2131 PARTS/SERVICE: (608) 897-2125 FAX: (608) 897-2561

DIVERTER VALVE - POWER CHUTE OPTION

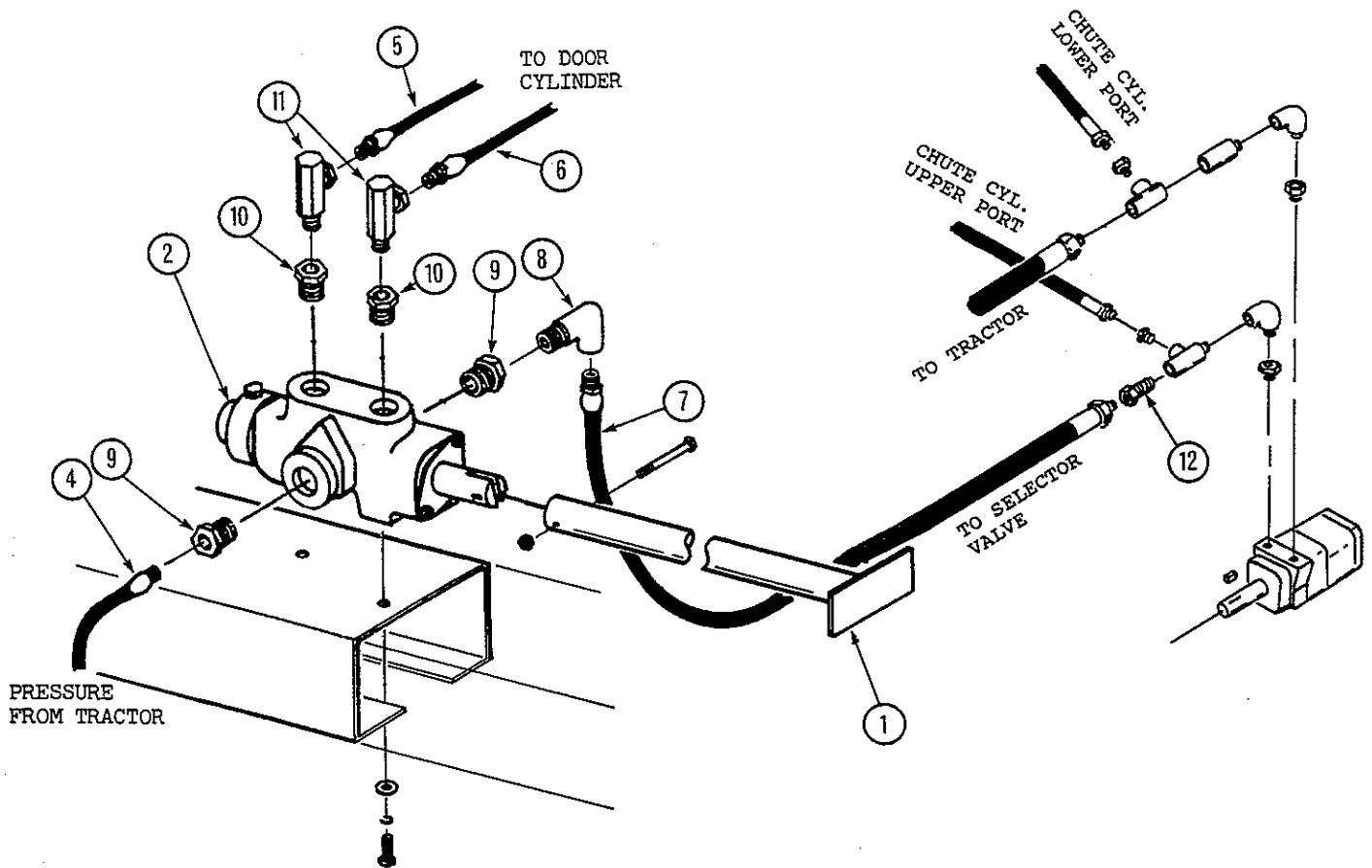
3550-TOW R100794

FACTORY INSTALLED PARTS:

REF	PART NO	QTY	DESCRIPTION
1	101-791	1	Control Handle Assy Mtg Hrd: 1/4" x 1-1/2" Bolt & LN
2	171-424	1	Diverter Valve Assy (Seal Kit #171-847) Mtg Hrd: 3/8" x 7/8" Bolt & LW (2 ea) & FW (4 ea)
4	171-426	1	Hyd Hose; 1/2" x 96" Long 1/2" Ends
5	170-465	1	Hyd Hose; 1/4" x 127" Long 3/8" Ends
6	171-998	1	Hyd Hose; 1/4" x 117" Long 3/8" Ends
7	171-189	1	Hyd Hose; 1/2" x 108" Long 1/2" Ends
8	171-136	1	Connector; Elbow 1/2" - 90 Degree
9	171-430	2	Connector; Reducer 3/4" To 1/2"
10	170-235	2	Connector; Reducer 1/2" To 3/8"
11	171-030	2	Connector; Swivel 3/8" - 90 Degree
12	170-513	1	Connector; Swivel 1/2" Straight

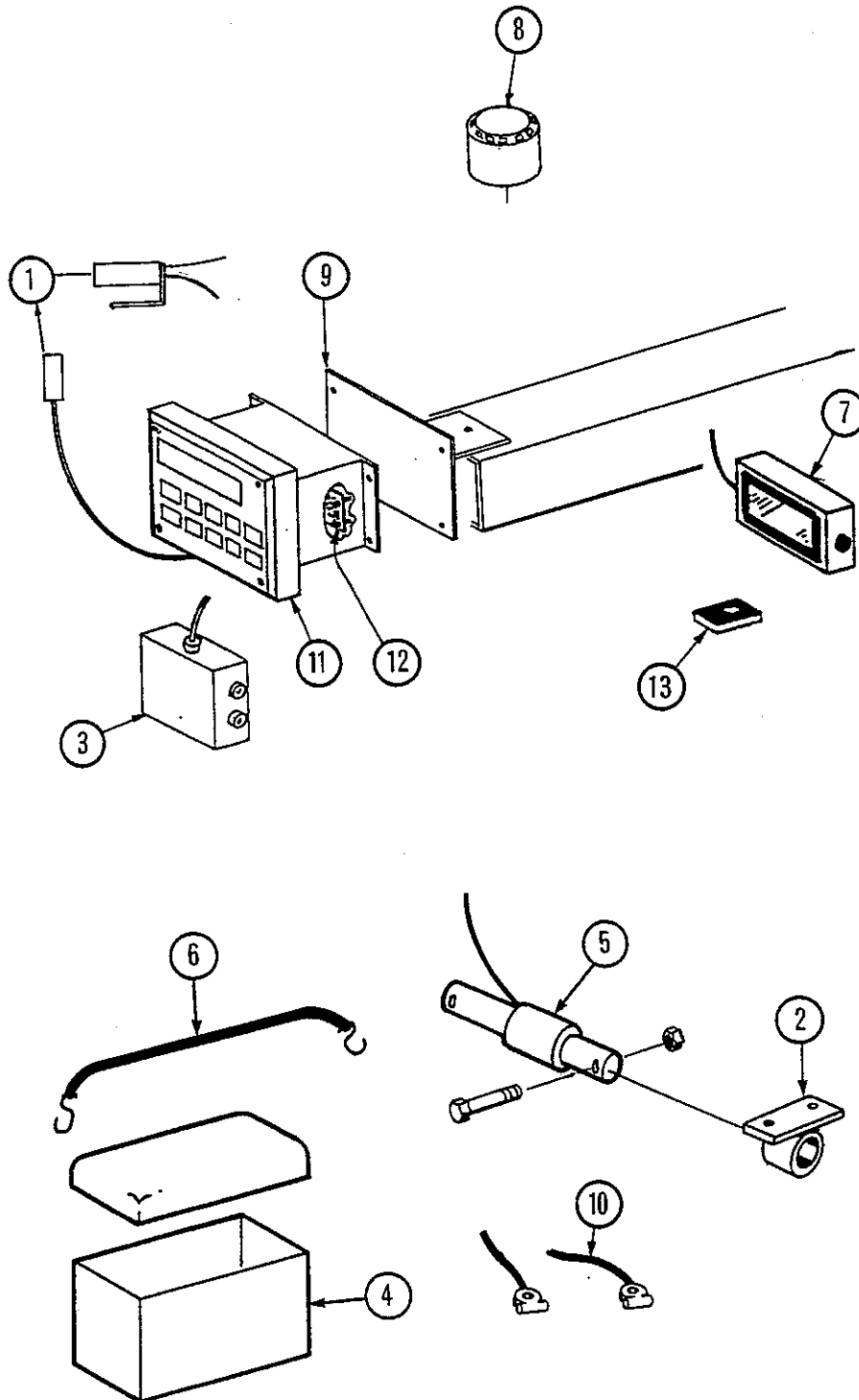
FIELD INSTALLATION NOTE:

The field installation kit (P/N 300-006) contains all of the above parts except for references 5 - 7 (Field kit doesn't include 170-465, 171-998 and 171-189).



An asterisk (*) at the end of a part number (XXX-XXX*) indicates that the part is no longer used in production for this application.

Superscript letters (XXX-XXX^A) refer to footnotes and/or illustration boxes.



KNIGHT MANUFACTURING CORP. PO BOX 167 BROADHEAD, WI 53520
OFFICE: (608) 897-2131 PARTS/SERVICE: (608) 897-2125 FAX: (608) 897-2561

EATON SCALE PARTS

3550-TOW R041095

REF	PART NO	QTY	DESCRIPTION
1	170-415	1	Plug - Tractor Mount
1	172-333	1	Power Cord Assembly
2	101-938	4	Weigh Bar Mount Spool Mtg Hrd: 5/8" x 2-1/2" Gr 5 Bolt, FW & LN (2 ea)
3	172-335	1	Junction Box With 15' Cord; #10 x 3/4" Machine Screw (4 ea)
4	171-158	1	Battery Box With Cover
5	172-309	4	Weigh Bar; 2-1/2" Dia, 30' Cord Length
	171-960		Splice Kit - For Weigh Bar Cord Repair
6	171-936	1	Battery Hold-Down Strap; 5/16" x 1-1/4" Bolt, Nut & FLN (1 ea), FW (2)
7	172-336	1	Remote Display With 30' Cable
8	101-916	1	Alarm Horn Assembly (Not used with model 9-TL) Mtg Hrd: #6 x 3/4" Bolt, LW & Nut (2 ea)
9	133-378	1	Indicator Mount Mtg Hrd: 170-238 Spring, 3/8" x 2" Bolt, FW & LN
10	171-380	2	Battery Terminals

Items Used With Model 9TL Only:

11	172-499	1	Indicator; Model 9TL (2-1/2" Weigh Bar) Mtg Hrd: 3/8" x 1" Bolt, LN
	172-498	1	Operators Manual; Model 9TL

Items Used With Model 99B Only:

11	172-329	1	Indicator; Model 99B (2-1/8" & 2-1/2" Weigh Bars) Mtg Hrd: 1/4" x 3/4" Bolt, FW, LW & Nut (4 ea)
	172-339	1	Operator's Manual; Model 99B

Items Used With Model 99S Only:

11	172-331	1	Indicator; Model 99S (2-1/8" & 2-1/2" Weigh Bars) Mtg Hrd: 1/4" x 3/4" Bolt, FW, LW & Nut (4 ea)
	172-340	1	Operator's Manual; Model 99S
12	172-337 ^A	1	Radio Control Package
12	172-338	1	Transmitter; Radio Control

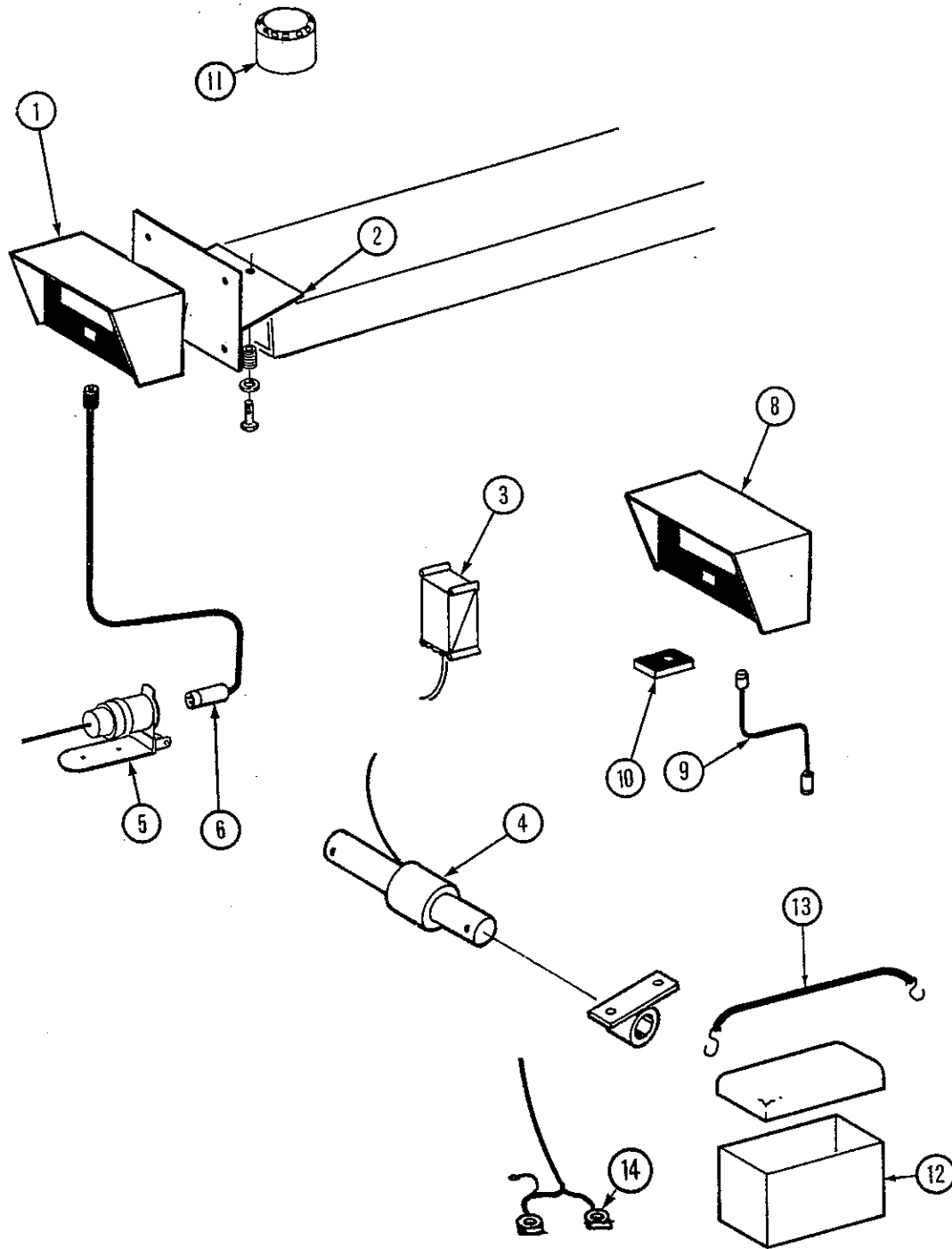
Service Tools:

	172-386	1	Precision Calibrator For Scale Indicators
--	---------	---	---

A: Indicator must be sent to Knight Mfg. for radio control card installation.

An asterisk (*) at the end of a part number (XXX-XXX*) indicates that the part is no longer used in production for this application.

Superscript letters (XXX-XXX^A) refer to footnotes and/or illustration boxes.



KNIGHT MANUFACTURING CORP. PO BOX 167 BROADHEAD, WI 53520
OFFICE: (608) 897-2131 PARTS/SERVICE: (608) 897-2125 FAX: (608) 897-2561

J-STAR SCALE PARTS

3550-TOW R100794

REF	PART NO	QTY	DESCRIPTION
1	172-128	1	Model EZ-150 Indicator For 2-1/8" & 2-1/2" Weigh Bar
	172-130	1	Model EZ-210 Indicator For 2-1/8" Weigh Bar
	172-500	1	Model EZ-320 Indicator For 2-1/8" Weigh Bar
	172-800	1	Model EZ-View 150 Indicator, 1.7" Display For 2-1/8" Weigh Bar Mtg Hrd: 1/4" x 3/4" Bolt, FW, LW & Nut (2 ea)
2	101-835	1	Indicator Mount Mtg Hrd: Spring (170-238) 3/8" x 2" Bolt, FW & LN
3	172-134	1	Junction Box; 10-32 x 3/4" PHMS Bolt, LW, FW & Nuts (4 ea)
4	172-311	4	Weigh Bar; 2-1/2", 21' Cord
	171-960		Splice Kit - For Weigh Bar Cord Repair
5	170-415	1	Plug - Tractor Mount
6	172-354	1	Power Cord Assy

Optional Items:

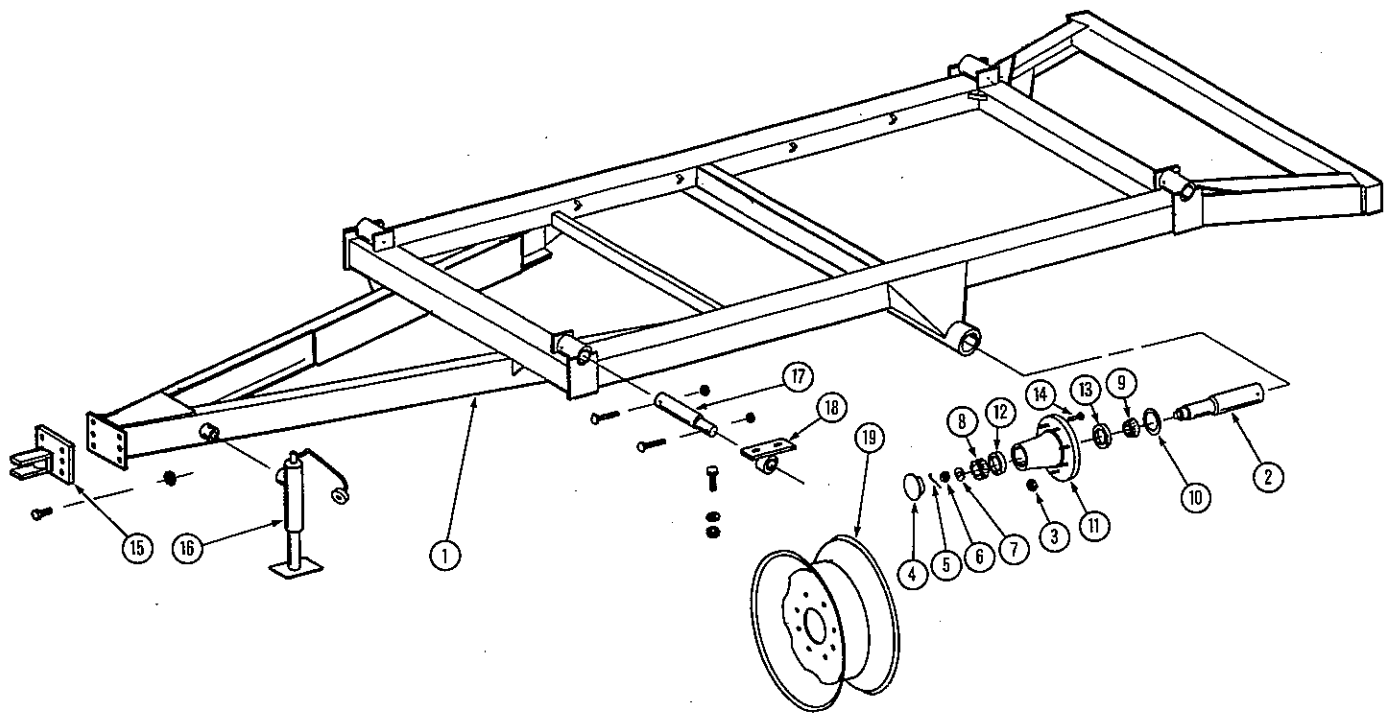
8	172-801	1	EZ-View Remote, 1.7" Display w/ 25' Cord
	172-802	1	EZ-View TR Remote 1.7" Display w/ Transmitter & 25' Cord
	172-803	1	EZ-R Remote, 1" Display w/ 25' Cord
	172-804	1	EZ-R Remote, 1" Display w/ Transmitter & 25' Cord
9	172-142	1	Cable For P/N 172-140 & 172-141
10	172-143	1	Extra Transmitter For Model 20R/TR
	172-165	1	30' J-Box Extension Cable (Optional)
	172-166	1	10' J-Box Extension Cable (Optional)
11	101-917	1	Alarm Horn Assembly Mtg Hrd: #6 x 3/4" Bolt, LW & Nut (2 ea)
12	171-158	1	Battery Box
13	171-936	1	Battery Hold-Down Strap; 5/16" x 1-1/4" FLN & Nut (1 ea), FW (2 ea)
14	171-381	2	Battery Terminals

Service Tools:

	172-386	1	Precision Calibrator For Scale Indicators
--	---------	---	---

An asterisk (*) at the end of a part number (XXX-XXX*) indicates that the part is no longer used in production for this application.

Superscript letters (XXX-XXX^A) refer to footnotes and/or illustration boxes.



KNIGHT MANUFACTURING CORP. PO BOX 167 BROADHEAD, WI 53520
OFFICE: (608) 897-2131 PARTS/SERVICE: (608) 897-2125 FAX: (608) 897-2561

UNDERCARRIAGE

3550-TOW R100794

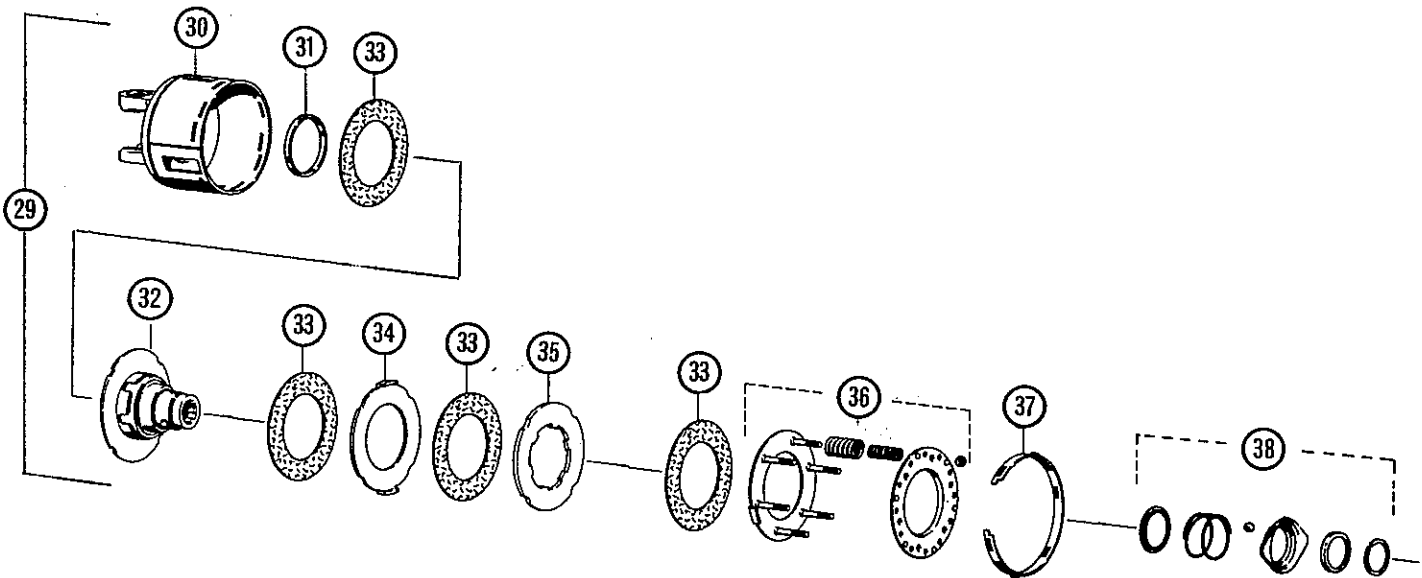
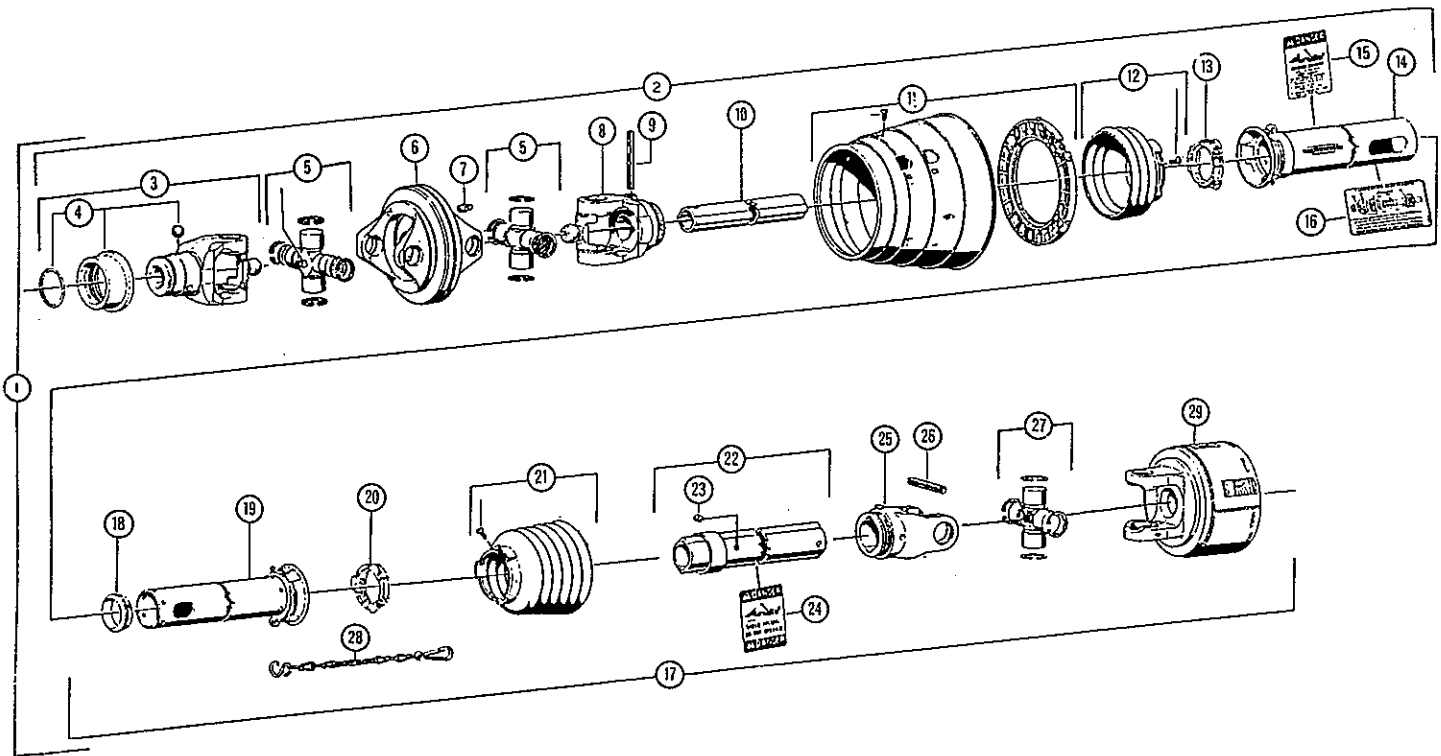
REF	PART NO	QTY	DESCRIPTION
1	101-973	1	Undercarriage for 3550
2	134-562	2	Spindle; 3-3/8" x 15-1/2"
3	170-920	20	Nut; 3/4" NF
4	170-926	2	Dust Cap; Mtg Hrd: 5/16" x 3/4" Bolt (4 ea)
5	170-056	2	Cotter Pin; 1/4" x 2"
6	170-927	2	Castle Nut; 1-1/4" NF
7	170-928	2	Washer; 1-1/4"
8	170-921	2	Bearing Cone; 1-3/4" Timken 460
9	172-360	2	Bearing Cone; Timken - 33275
10	172-362	2	Seal
11	172-396	2	10 Bolt Hub Assembly
12	170-922	1	Bearing Race; 4-1/4" OD, Timken 453A
13	172-361	1	Bearing Race; Timken 33462
14	170-919	10	Stud; 3/4" NF
15	101-923	1	Tongue Clevis Assy Mtg Hrd: 3/4" x 2" GRD 8 Bolt & LN
16	171-610	1	Jackstand; #7000 Sidewind
17	134-617	4	Dummy Weigh Bar Mount (For Units Without Scales) Mtg Hrd To Endstop; 3/8" x 2-1/2" Bolt & LN Mtg Hrd To Spool; 3/8" x 4" Bolt & LN
18	101-938	4	Scale Bar Mount; 2-1/2" Scale System Mtg Hrd: 5/8" x 2-1/2" Bolt, FW & LN (4 ea) Rear, 5/8" x 1-3/4" Bolt, FW & Nut (4 ea) Front
19	172-312	2	Wheel; 22-1/2" x 13-1/2", 10-Bolt

An asterisk (*) at the end of a part number (XXX-XXX*) indicates that the part is no longer used in production for this application.

Superscript letters (XXX-XXX^A) refer to footnotes and/or illustration boxes.

PTO DRIVELINE & FRICTION CLUTCH

3550-TOW



KNIGHT MANUFACTURING CORP. PO BOX 167 BROADHEAD, WI 53520
OFFICE: (608) 897-2131 PARTS/SERVICE: (608) 897-2125 FAX: (608) 897-2561

PTO DRIVELINE & FRICTION CLUTCH

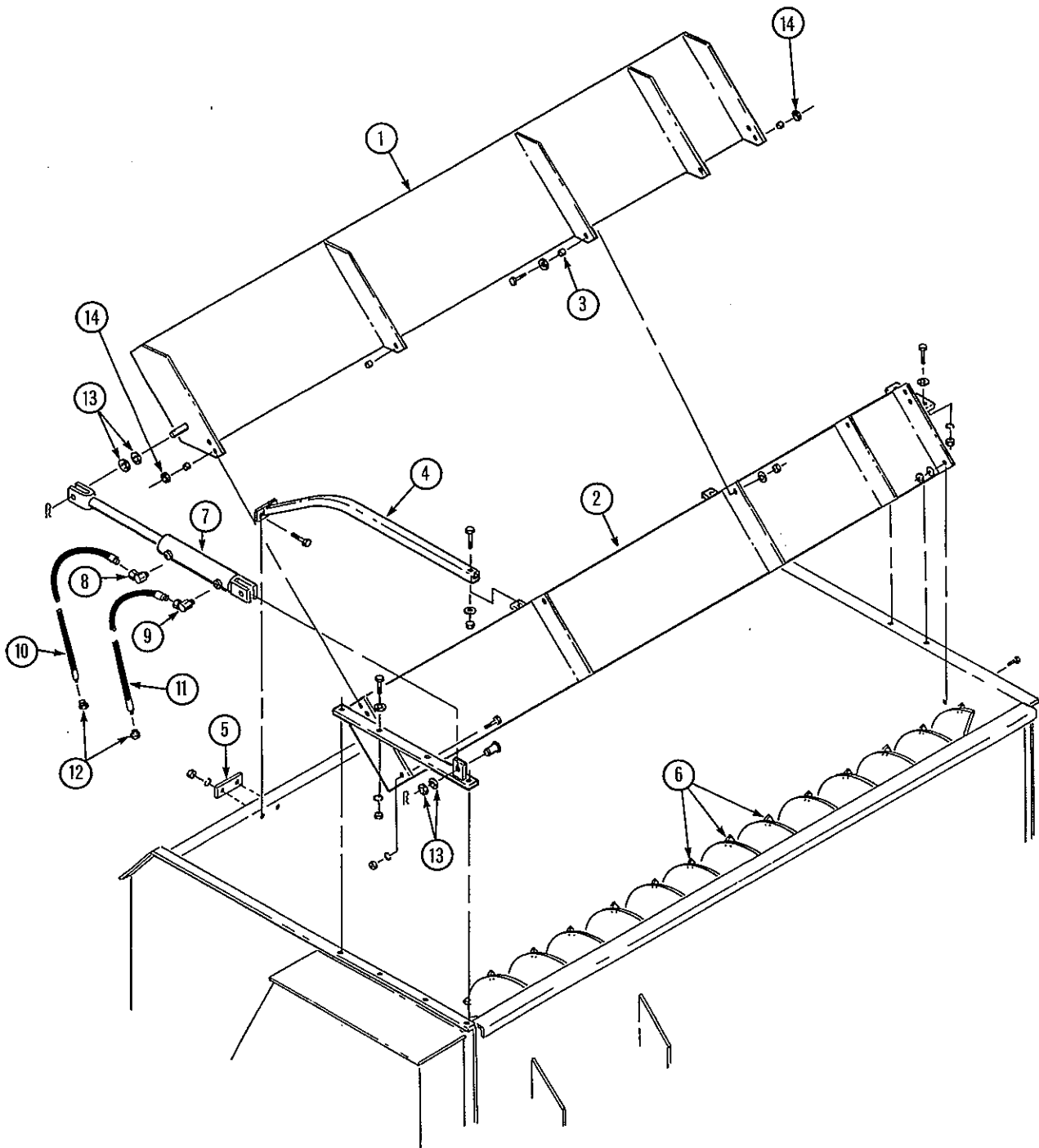
3550-TOW

Waltershied Constant Velocity PTO

REF	PART NO	QTY	DESCRIPTION
1	172-194	1	Wide Angle PTO Drive Shaft W/Shielding (540 RPM)
1	172-211	1	Wide Angle PTO Drive Shaft W/Shielding (1000 RPM)
2	172-222	1	Male Wide Angle Half Shaft W/Shielding (540 RPM)
2	172-404	1	Male Wide Angle Half Shaft W/Shielding (1000 RPM)
3	172-200	1	End Yoke (540 RPM)
3	172-203	1	End Yoke (1000 RPM)
4	172-028	1	Quick Disconnect Kit
5	172-204	2	Cross & Bearing Kit
6	172-202	1	CV Double Yoke
7	172-208	1	Grease Zerk
8	172-201	1	Inboard Yoke
9	171-983	1	Spring Pin
10	172-196	1	Inner Profile
11	172-205	1	CV Cone & Bearing Assembly Mtg Hrd: #172-210 Screw (2 ea)
12	172-206	1	Shield Cone; Three Rib Mtg Hrd: #172-210 Screw (3 ea)
13	171-979	1	Bearing Ring
14	172-199	1	Outer Shield Tube W/Cap
15	171-550	1	Decal; Danger - Rotating Driveline
16	172-227	1	Decal; Lubrication Requirements
17	172-223	1	Female Half Shaft With Shielding
18	172-207	1	Support Bearing
19	172-198	1	Inner Shield Tube W/Cap
20	171-979	1	Bearing Ring
21	172-030	1	Shield Cone, Six Rib; Mtg Hrd: #172-210 Screw (3 ea)
22	172-197	1	Outer Profile & Sleeve
23	172-209	1	Grease Zerk
24	171-799	1	Decal; Danger, Shield Missing...
25	172-033	1	Inboard Yoke
26	171-983	1	Spring Pin
27	171-980	1	Cross & Bearing Kit
28	172-040	1	Safety Chain
29	***_***	1	Friction Clutch, Can't Be Purchased Assembled
30	172-037	1	Clutch Housing
31	172-038	1	Ring
32	172-036	1	Hub & Drive Plate
33	171-977	4	Friction Disk
34	171-976	1	Drive Plate
35	171-975	1	Drive Plate
36	171-974	1	Spring Pack
37	171-978	1	Setting Ring
38	172-029	1	Quick Disconnect Flange Kit

An asterisk (*) at the end of a part number (XXX-XXX*) indicates that the part is no longer used in production for this application.

Superscript letters (XXX-XXX^A) refer to footnotes and/or illustration boxes.



KNIGHT MANUFACTURING CORP. PO BOX 167 BROADHEAD, WI 53520
OFFICE: (608) 897-2131 PARTS/SERVICE: (608) 897-2125 FAX: (608) 897-2561

HAY-MAX KIT PARTS

3550 TOW R100794

REF	PART NO	QTY	DESCRIPTION
1	102-024	1	Upper Attachment Mtg Hrd: 1/2" x 1-1/2" Bolt, LN (5 ea), 1/2" FW (8 ea)
2	102-025	1	Lower Attachment Mtg Hrd: 1/2" x 1-1/4" Bolt, LW, FW & Nut (6 ea), 1/2" x 1-1/2" Bolt, FW & LN (1 ea), 1/2" x 1-1/4" Bolt, LN (1 ea) & 1/4" FW (A/R)
3	134-771	5	Pivot Bushing
4	102-022	3	Bucket Guard Mtg Hrd: 1/2" x 3" Bolt, FW & LN (1 ea) 3/8" x 1-1/4" Bolt, LW & Nut (2 ea)
5	134-012	3	Bucket Guard Mount
6	133-835 ^A	116	Auger Knife (Quantity Listed Is Total For Hay-Max Option) Mtg Hrd: 1/4" x 7/8" Bolt, FW & LN (2 ea. Knife)
7	172-441	1	Hydraulic Cylinder; 2" x 10" Stroke Seal Kit Order 172-446
8	171-030	1	90° Swivel Adapter; 3/8"
9	171-723	1	90° Swivel Restrictor; 3/8"
10	170-468	1	Hydraulic Hose; 1/4" x 162"
11	170-471	1	Hydraulic Hose; 1/4" x 170"
12	170-235	2	Reducer Fitting; 1/2" To 3/8"
13	170-122	A/R	Spacer Washer; 1" SAE Flat
14	172-445	2	1/2" Flat Washer
	172-442	1	Electric Switching Valve (Optional) Mounted On Tractor

A: Auger knife quantities listed are the total number of knives needed for the Hay-Max option. Knife quantity includes standard factory installed knives on upper auger. Only order quantity needed to total amount of knives listed for field installation.

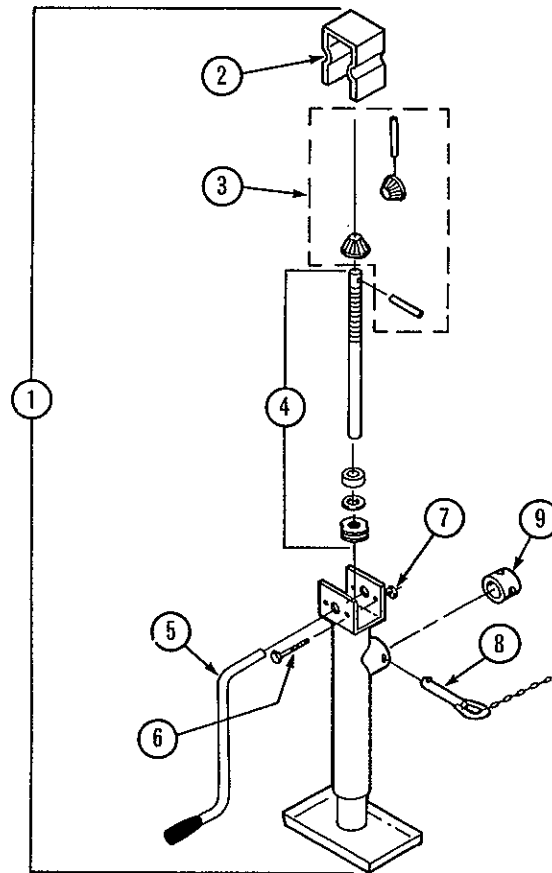
An asterisk (*) at the end of a part number (XXX-XXX*) indicates that the part is no longer used in production for this application.

Superscript letters (XXX-XXX^A) refer to footnotes and/or illustration boxes.

JACKSTAND

3550-TOW

REF	PART NO	QTY	DESCRIPTION
1	171-610	1	Jackstand Assy
2	171-814	1	Cover
3	171-614	1	Gear Kit
4	171-611	1	Screw, Nut, Bearing & Washer Assy
5	171-612	1	Crank Assy
6	170-509	1	Carriage Bolt; 1/4" x 3"
7	170-125	2	1/4" Nut
8	171-613	1	Pull Pin
9	171-615	1	Mount Tube Assy



KNIGHT MANUFACTURING CORP. PO BOX 167 BROADHEAD, WI 53520
OFFICE: (608) 897-2131 PARTS/SERVICE: (608) 897-2125 FAX: (608) 897-2561

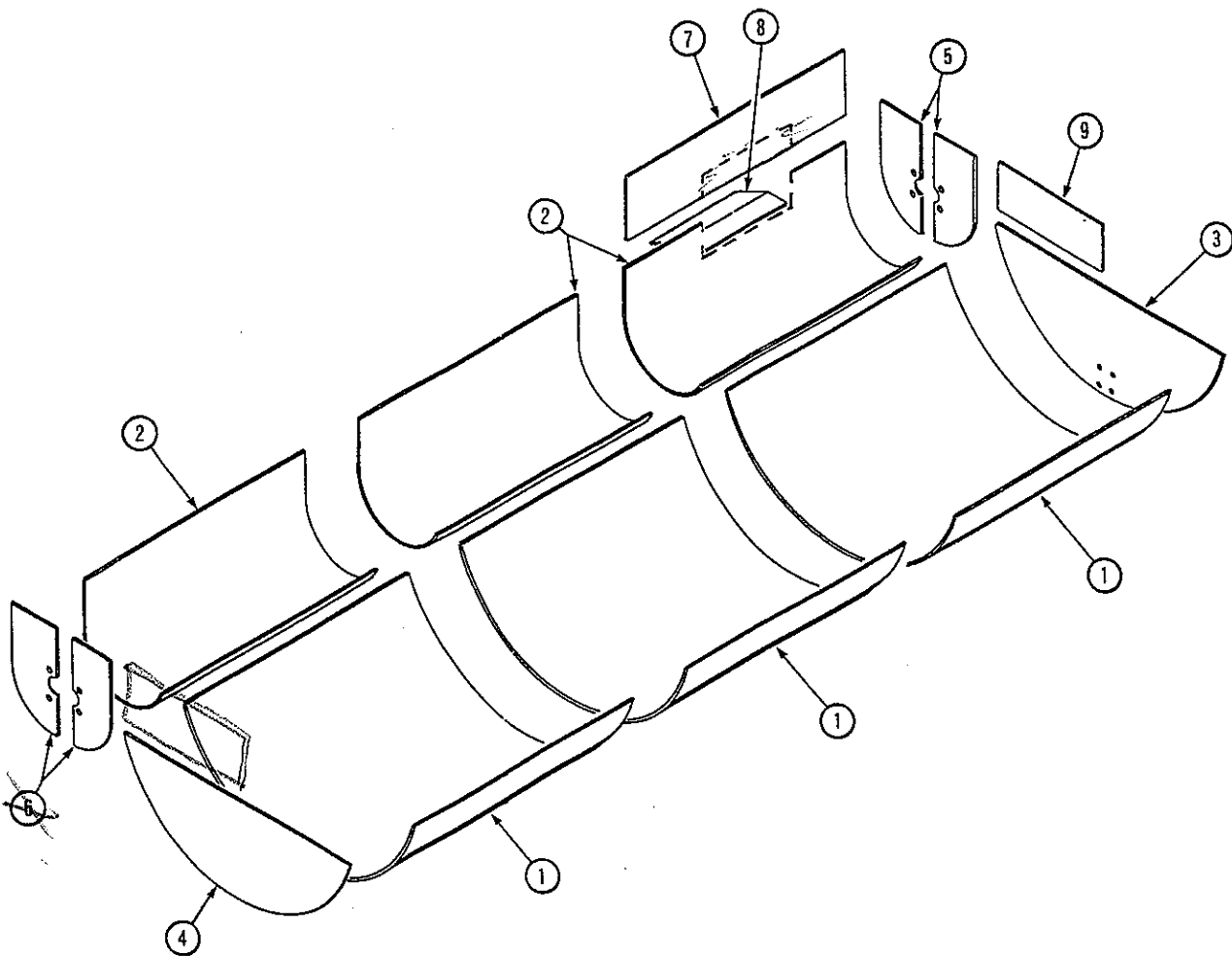
REPAIR LINER PARTS

3550-TOW R022494

REF	PART NO	QTY	DESCRIPTION
	MILD STEEL 3575	STAINLESS STEEL 3700	
1	134-722	134-975	3 Reel Liner 136-030 126038
2	134-723	134-977	3 Auger Liner 126-021 136-029
3	134-718	134-984	1 Reel End Panel (Front) 136-036
4	134-719	134-983	1 Reel End Panel (Rear) 136-037
5	134-720	134-982	1 Auger End Liner (Front) & REAR 136-025 P/N Includes Both Left & Right Halves
6	134-721	134-981	1 Auger End Liner (Rear) P/N Includes Both Left & Right Halves
7	134-704	134-978	1 Upper Door Liner 136-033
8	134-716	134-980	1 Door Opening Liner 136-022
9	134-717	134-979	1 Upper Reel End Liner 136-034 FRONT & REAR

005518

A/R Repair Liner Installation Instructions



An asterisk (*) at the end of a part number (XXX-XXX*) indicates that the part is no longer used in production for this application.

Superscript letters (XXX-XXX^A) refer to footnotes and/or illustration boxes.

DECAL & PAINT LIST

3550-TOW

The following decals are listed below for your convenience.
Use the operator's manual for decal location, part number and ordering.

Unit Decals:

PART NO	QTY	DESCRIPTION
172-467	1	Set Of Decals
170-154	2	"KNIGHT"
170-155	2	Knight Head
170-490	1	Important - Reduce Engine Speed . . .
170-849	3	WARNING - Beware of Power Driven . . .
170-893	1	Slow Moving Vehicle Decal
171-712	1	NOTICE - Retighten Set Screws . . .
171-748	1	Door Gauge
171-820	4	DANGER - Rotating Auger Inside . . .
171-905	2	"REEL AUGGIE"
172-455	2	"3550"
171-911	1	Operating Precautions
171-913	1	WARNING - Do Not Operate . . .
171-915	2	DANGER - Shield Missing . . .
171-916	2	DANGER - Rotating Driveshaft . . .
171-947	4	DANGER - Do Not Hand Load . . .
171-948	1	BEWARE - If Mixer . . .
171-949	1	"U.S. Patent No. ..."
171-992	2	Red Reflector
171-993	1	Friction Clutch Operation
172-238	1	CAUTION - Read Operator's Manual
172-292	1	Full Line

Power Chute and Slide Tray Decals:

171-914	2	WARNING - Stay Clear Of Chute . . .
171-991	1	Decal; Amber Reflector
171-992	1	Decal; Red Reflector

PTO Driveline Decals:

171-550	1	DANGER - Rotating Driveline
171-799	1	DANGER - Shield Missing
171-599	1	Do Not Exceed 540 RPM . . . 540 RPM Only
171-609	1	Do Not Exceed 1000 RPM . . . 1000 RPM Only

Paint:

170-366	Knight Yellow Aerosol Can
170-812	Knight Yellow Quart Can
170-813	Knight Yellow Gallon Can
170-367	Knight Red Aerosol Can
170-814	Knight Red Quart Can
170-815	Knight Red Gallon Can

KNIGHT MANUFACTURING CORP. PO BOX 167 BROADHEAD, WI 53520
OFFICE: (608) 897-2131 PARTS/SERVICE: (608) 897-2125 FAX: (608) 897-2561

OPTIONAL KITS

3550-TOW

Safety Chain for Towed Equipment P/N 172-195

This chain is designed to retain the connection between towing and towed machines, in the event of separation of the primary attaching system. It should be utilized whenever the unit is on the highway.

Light Kit For Towed Equipment

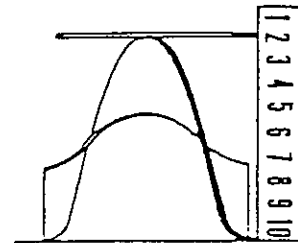
This light kit is designed for lighting and marking of agricultural field equipment whenever the equipment is on a highway. This kit is pre-assembled, and it includes mounting hardware.

PART NO	QTY	DESCRIPTION
300-007	1	Complete Light Kit - Assembled
172-173	2	Red And Amber Light Assembly
172-174	25'	4 Conductor Wire
172-175	1	4 Pin In-Line Connector (Male & Female)
Option:		
172-110	1	7 Pin Female Connector

An asterisk (*) at the end of a part number (XXX-XXX*) indicates that the part is no longer used in production for this application.

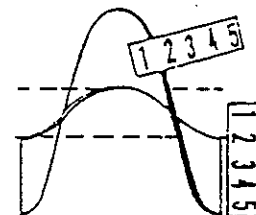
Superscript letters (XXX-XXX^A) refer to footnotes and/or illustration boxes.

OUTSIDE DIAMETER: Outside diameter can be determined by laying the flight on a flat surface and measuring from the top to the base. **NOTE:** Dimensions may vary slightly.

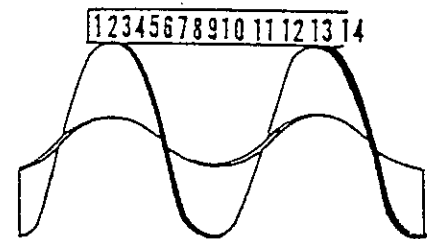


THICKNESS: Thickness of flighting can be determined with any linear measuring instrument.

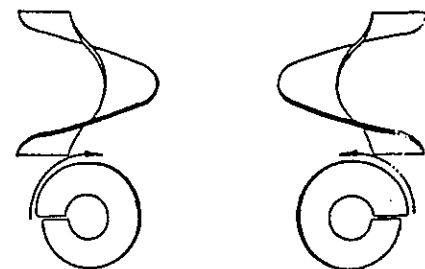
INSIDE DIAMETER: To find the inside diameter of flight, measure the distance from the inside of the flight to the peak. Then multiply the dimension by two and subtract the answer from the outside diameter dimension.



PITCH: Pitch is the dimension from one peak to the next, measured along the axis of the shaft. The term full pitch means that the outside diameter and the pitch are the same.



RIGHT HAND AND LEFT HAND FLIGHTING: As you look at the face of flighting and it is slanting downward to the right; it is right hand and if it is slanting downward to the left; it is left hand.



Flighting dimensions are written in a series similar to the following:

1/4" - 4" - 14" - 14"
Thick - I.D. - O.D. - Pitch

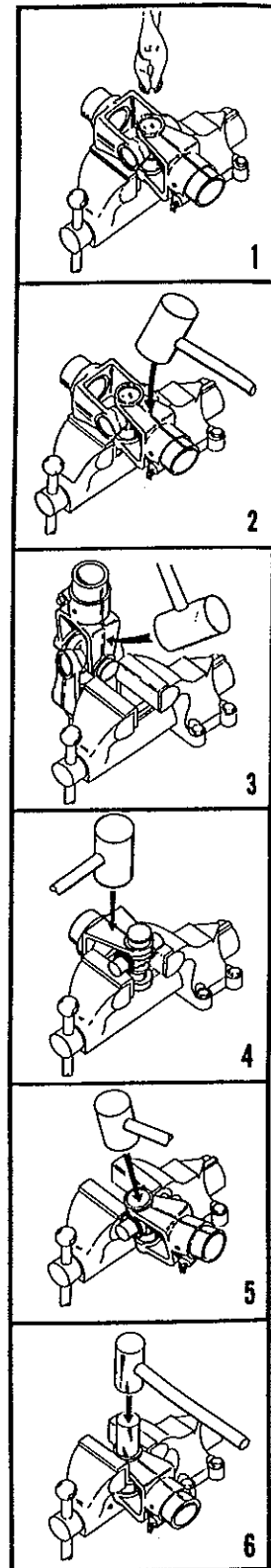
DISASSEMBLY PROCEDURE:

1. Remove the four snap rings as shown in Figure #1.
2. Position the joint in an open vise, with each ear of one yoke supported by a vise jaw. Figure #2
3. With a soft hammer or mallet, strike the top ear of the unsupported yoke as indicated by the arrow in Figure #2. This will drive the top bushing outward approximately 3/8 of an inch.
4. Grip the loosened bushing in the vise as shown in Fig. #3. Drive the yoke off the bushing by striking the yoke ear with a mallet in the direction of the arrow. (Fig. #3)
5. This same procedure should be followed to remove the bushing that is directly opposite the one in Step 4. After this, the yoke itself may be removed.
6. To remove the remaining two bushings, support the cross as shown in Figure #4. Make certain that the vise jaws are covered with brass protectors. By striking the yoke ear as indicated by the arrow in Figure #4, the remaining bushings can be removed by repeating the procedure called for in Step 4 & Figure #3.

ASSEMBLY PROCEDURE:

DURING REASSEMBLY, BE SURE THAT THERE IS NO DIRT ON THE TRUNNIONS OF THE CROSS OR IN THE BUSHINGS!

1. Start one bushing in the yoke ear and position the center cross through the yoke. Drive the first bushing down flush with the outside surface of the ear as shown in Fig. #5. Support the underside of the ear so as not to spring the yoke.
2. Clamp the ear in the vise as shown in Figure #6. Use a punch of the same diameter as the bushing, drive the bushing past the snap ring groove, and insert a snap ring.
3. Position the cross and drive in the opposite bushing as described in Steps 1 & 2, and insert a snap ring.
4. Assemble the second yoke in the same manner.
5. To insure proper seating, and to eliminate any possible tightness, strike the forged surfaces of the yoke ears with a mallet. This will insure a free flexing joint.
6. Lubricate with a good grade of multipurpose grease.



An asterisk (*) at the end of a part number (XXX-XXX*) indicates that the part is no longer used in production for this application.

Superscript letters (XXX-XXX^A) refer to footnotes and/or illustration boxes.

HARDWARE PART NUMBER LISTING

3550-TOW

All hex head bolts up to and including 7/16" dia are grade 5 unless otherwise specified. All fasteners are NC thread unless otherwise specified.

<u>Size</u>	<u>Hex Nuts</u>	<u>Locknuts</u>	<u>Jam Nuts</u>	<u>Flt Wsh.</u>	<u>Lk Wsh.</u>
#10	171-606			171-525	171-605
1/4	170-125	170-069		170-301	170-124
5/16	170-119	170-028		170-127	170-118
3/8	170-007	170-047	170-022	170-244	170-006
7/16	170-062	170-239	170-046	170-138	170-061
1/2	170-004	170-042	170-036	170-040	170-003
5/8	170-011	170-031	170-037	170-066	170-010
3/4	170-017	170-185	170-035	170-015	170-016
7/8				170-131	172-003
1				170-122	171-021

HEX HEAD BOLTS

<u>Bolt Size</u>	<u>Part No</u>	<u>Bolt Size</u>	<u>Part No</u>	<u>Bolt Size</u>	<u>Part No</u>
1/4 x 3/4	170-803	3/8 x 3	170-380	5/8 x 1-3/4	170-030
1/4 x 7/8	171-094	3/8 x 3-1/2	170-292	(Tap Bolt - Grade 5)	
1/4 x 1	170-310	3/8 x 4	170-877	5/8 x 2	170-009
1/4 x 1-1/2	170-068	3/8 x 4-1/2	170-519	(Grade 5)	
1/4 x 2-3/4	171-203	3/8 x 5	170-493	5/8 x 2	171-772
1/4 x 3	171-403	3/8 x 5-1/2	170-593	(Tap Bolt)	
5/16 x 5/8	170-532	3/8 x 6-1/2	171-291	5/8 x 2-1/2	170-129
5/16 x 3/4	170-262	7/16 x 3/4	170-265	(Tap Bolt)	
5/16 x 7/8	170-256	7/16 x 1	170-032	5/8 x 3	170-258
5/16 x 1	170-027	7/16 x 1-1/4	170-354	5/8 x 3-1/2	170-038
5/16 x 1-1/4	170-188	7/16 x 1-1/2	170-059	5/8 x 4	170-371
5/16 x 1-1/2	170-372	7/16 x 2	170-356	5/8 x 4-1/2	170-067
5/16 x 1-3/4	170-263	7/16 x 2-1/2	170-379	5/8 x 5	170-065
5/16 x 2	170-376	7/16 x 3	170-270	5/8 x 6	170-381
5/16 x 2-1/2	170-369	7/16 x 5-1/2	170-377	5/8 x 9-1/2	171-039
5/16 x 3	170-295	7/16 x 6	170-378	3/4 x 2	170-058
5/16 x 3-1/4	171-639	1/2 x 3/4	171-252	3/4 x 2-1/4	171-275
5/16 x 4	170-293	1/2 x 1	170-149	3/4 x 2-1/2	170-374
(Tap Bolt)		1/2 x 1-1/4	170-373	3/4 x 3	170-014
5/16 x 4-1/2	170-294	1/2 x 1-1/2	170-002	3/4 x 3-1/2	170-195
3/8 x 3/4	170-439	1/2 x 2	170-050	3/4 x 4	170-419
3/8 x 7/8	170-268	1/2 x 2-1/2	170-319	3/4 x 4-1/2	170-846
3/8 x 1	170-054	1/2 x 3	170-168	(Grade 5)	
3/8 x 1-1/4	170-005	1/2 x 4	171-509	3/4 x 6	171-116
3/8 x 1-1/2	170-368	1/2 x 4-1/2	171-573	(Grade 5)	
3/8 x 2	170-245	1/2 x 5	171-412		
3/8 x 2-1/4	170-320	5/8 x 1 (G.5)	171-087		
3/8 x 2-1/2	170-257	5/8 x 1-1/4	171-366		

KNIGHT MANUFACTURING CORP. PO BOX 167 BROADHEAD, WI 53520
 OFFICE: (608) 897-2131 PARTS/SERVICE: (608) 897-2125 FAX: (608) 897-2561

HARDWARE LISTING CONTINUED

3550-TOW

TRUSS HEAD BOLTS

<u>Bolt Size</u>	<u>Part No</u>
#8 x 1-1/2	171-210
#10 x 3/4	171-604
1/4 x 1/2	170-123
1/4 x 3/4	170-193
1/4 x 1	170-194
5/16 x 1 (Grade 5)	170-117

CARRIAGE BOLTS

<u>Bolt Size</u>	<u>Part No</u>
1/4 x 1-1/2	170-355
1/4 x 2-1/2	171-394
1/4 x 3	170-509
5/16 x 1	170-370
5/16 x 2-1/2	171-395
5/16 x 5-1/2	170-494
3/8 x 3-1/2	171-283
3/8 x 4-1/2	170-191
3/8 x 5	170-495
3/8 x 6-1/2	171-174
3/8 x 8	170-297
1/2 x 6-1/2	171-098
1/2 x 9	171-255

ZERKS

<u>Size</u>	<u>Part No</u>
1/4-28	170-023
1/4-28 - 45	170-148
1/4-28 - 90	170-049
1/4 NPT	170-277
1/8 NPT	170-865
1/8 NPT-45	170-864
1/8 NPT-65	170-215
1/8 NPT-90	170-866

COTTER PINS

<u>Size</u>	<u>Part No</u>
1/16 x 1/2	170-992
3/32 x 3/4	170-364
1/8 x 3/4	170-177
1/8 x 1	170-045
1/8 x 1-1/4	170-033
1/8 x 1-1/2	170-382
5/32 x 1	170-421
5/32 x 1-1/2	170-236
5/32 x 3	170-135
3/16 x 1-1/4	170-991
3/16 x 2	170-115
1/4 x 1-1/2	170-521
1/4 x 2	170-056

SET SCREWS

<u>Size</u>		<u>Part No</u>
1/4 x 1/4	NC	170-247
5/16 x 5/16	NC	170-248
5/16 x 1/2	NC	170-254
5/16 x 1/4	NF	170-993
5/16 x 5/16	NF	170-825
5/16 x 5/8	NF	170-456
3/8 x 1/4	NC	170-856
3/8 x 3/8	NC	170-151
3/8 x 1/2	NC	170-857
(nylock)		
3/8 x 3/4	NC	170-289
(sq head)		
3/8 x 3/4	NC	170-290
(sq hd drilled)		
3/8 x 1	NC	170-021
3/8 x 1/2	NF	171-469
7/16 x 7/16	NC	170-288
7/16 x 1	NC	170-147
(sq head)		
1/2 x 5/8	NC	170-249
1/2 x 1	NC	170-438
1/2 x 1-1/4	NC	171-085
(half dog point)		
5/8 x 5/8	NC	170-250

**ROLLER CHAIN
CONNECTOR LINKS**

<u>Size</u>	<u>Part No</u>
#50-2R	170-094
#50	170-088
#60-2R	170-095
#60	170-089
#60H	171-102
#80	170-090
#80H	170-821
#100	170-091
#100H	171-969
#120	170-092
#140	170-093
#160	170-888

OFFSET LINKS

<u>Size</u>	<u>Part No</u>
#50	170-096
#60-2R	170-103
#60	170-097
#80	170-098
#80H	170-820
#100	170-099
#120	170-100
#140	170-101
#160	170-887

ROLLER LINKS

<u>Size</u>	<u>Part No</u>
#50	171-415
#60	171-416
#80	171-417
#80H	170-795
#120	171-419
#140	171-420

An asterisk (*) at the end of a part number (XXX-XXX*) indicates that the part is no longer used in production for this application.

Superscript letters (XXX-XXX^A) refer to footnotes and/or illustration boxes.

PART NUMBER INDEX

3550-TOW

005518	27	134-470	3	170-049	33	170-249	33
101-227	12	134-471	3	170-050	32	170-250	33
101-231	12	134-473	3	170-054	5,7,32	170-254	33
101-337	3	134-474	3	170-054	7	170-256	32
101-722	10	134-475	3	170-056	21,33	170-257	32
101-736	13	134-476	3	170-058	32	170-258	32
101-737	13	134-490	5	170-059	32	170-262	13,32
101-738	13	134-491	9	170-061	32	170-263	32
101-739	13	134-547	9	170-062	32	170-265	32
101-747	11	134-560	9	170-065	32	170-268	32
101-786	7	134-562	21	170-066	32	170-270	32
101-787	7	134-568	3	170-067	32	170-277	33
101-791	14,15	134-569	3	170-068	32	170-288	33
101-818	3	134-570	3	170-069	32	170-289	33
101-835	19	134-617	21	170-073	10	170-290	33
101-891	14	134-704	27	170-074	10,13	170-292	32
101-896	12	134-716	27	170-075	10,11,13	170-293	32
101-897	13	134-717	27	170-088	33	170-294	32
101-916	17	134-718	27	170-089	33	170-295	32
101-917	19	134-719	27	170-090	33	170-297	33
101-923	21	134-720	27	170-091	33	170-301	32
101-925	9	134-721	27	170-092	33	170-302	13
101-926	9	134-722	27	170-093	33	170-310	32
101-928	9	134-723	27	170-094	33	170-319	32
101-929	9	134-757	9	170-095	33	170-320	32
101-930	9	134-771	25	170-096	33	170-354	32
101-931	9	134-962	3	170-097	33	170-355	33
101-935	9	134-963	3	170-098	33	170-356	32
101-936	9	134-964	3	170-099	33	170-364	33
101-937	9	134-965	3	170-100	33	170-366	28
101-938	17,21	134-975	27	170-101	33	170-367	28
101-939	7	134-977	27	170-103	33	170-368	32
101-940	5	134-978	27	170-110	13	170-369	32
101-947	3,7	134-979	27	170-115	11,13,33	170-370	33
101-948	3	134-980	27	170-117	33	170-371	32
101-973	21	134-981	27	170-118	13,32	170-372	32
102-008	7	134-982	27	170-119	32	170-373	32
102-013	9	134-983	27	170-122	13,25,32	170-374	32
102-022	25	134-984	27	170-123	33	170-376	32
102-024	25	170-002	32	170-124	32	170-377	32
102-025	25	170-003	32	170-125	26,32	170-378	32
102-092	9	170-004	32	170-127	32	170-379	32
132-701	13	170-005	32	170-129	32	170-380	32
133-378	17	170-006	32	170-131	32	170-381	32
133-445	10	170-007	32	170-135	13,33	170-382	33
133-552	7	170-008	3,7	170-138	32	170-415	17,19
133-835	9,25	170-009	32	170-142	7	170-419	32
133-899	3	170-010	32	170-147	33	170-421	33
133-924	10	170-011	32	170-148	33	170-438	33
133-942	13	170-014	32	170-149	32	170-439	32
133-943	13	170-015	32	170-151	33	170-456	33
133-951	13	170-016	32	170-154	28	170-465	14,15
133-952	13	170-017	32	170-155	28	170-468	11
133-977	10	170-021	33	170-161	13	170-468	10,25
133-978	10	170-022	32	170-168	32	170-471	10,11,25
134-012	7,25	170-023	33	170-177	33	170-490	28
134-117	5	170-027	32	170-185	32	170-493	32
134-123	9	170-028	32	170-188	32	170-494	33
134-155	3,7	170-030	32	170-191	33	170-495	33
134-352	9	170-031	32	170-193	33	170-509	26,33
134-389	13	170-032	32	170-194	33	170-513	15
134-390	13	170-033	33	170-195	32	170-518	5
134-394	13	170-035	32	170-215	33	170-519	32
134-395	12	170-036	32	170-235	10,11,13,14,15,25	170-521	33
134-446	7	170-037	32	170-236	10,33	170-532	32
134-447	7	170-038	32	170-238	17,19	170-593	32
134-453	9	170-040	32	170-239	32	170-795	33
134-454	9	170-042	32	170-244	5,7,32	170-800	3,7
134-455	9	170-045	33	170-245	32	170-803	32
134-456	9	170-046	32	170-247	33	170-812	28
134-469	3	170-047	32	170-248	33	170-813	28

PART NUMBER INDEX

3550-TOW

170-814	28	171-394	33	171-969	33	172-312	21
170-815	28	171-395	33	171-972	5	172-329	17
170-820	33	171-403	32	171-975	23	172-331	17
170-821	33	171-409	3	171-976	23	172-333	17
170-825	33	171-412	32	171-977	23	172-335	17
170-845	7	171-415	33	171-978	23	172-336	17
170-846	32	171-416	33	171-979	23	172-337	17
170-849	28	171-417	33	171-980	23	172-338	17
170-856	33	171-419	33	171-983	23	172-339	17
170-857	33	171-420	33	171-991	28	172-340	17
170-859	13	171-424	15	171-992	28	172-346	3
170-864	33	171-426	15	171-992	28	172-347	3
170-865	5,33	171-427	13	171-993	28	172-348	7
170-865	7,12	171-430	14,15	171-998	14,15	172-354	19
170-866	33	171-467	3	172-003	32	172-355	5
170-877	32	171-469	33	172-005	3,7,11	172-360	21
170-887	33	171-509	32	172-024	5,7	172-361	21
170-888	33	171-525	32	172-026	5	172-362	21
170-893	28	171-550	23,28	172-028	23	172-367	7
170-898	3	171-573	32	172-029	23	172-368	7
170-919	21	171-576	13	172-030	23	172-375	5
170-920	21	171-585	3	172-033	23	172-386	17,19
170-921	21	171-592	3	172-036	23	172-390	5
170-922	21	171-599	28	172-037	23	172-396	21
170-926	21	171-604	33	172-038	23	172-404	23
170-927	21	171-605	32	172-040	23	172-441	25
170-928	21	171-606	32	172-045	5	172-442	25
170-941	10,11	171-609	28	172-110	29	172-445	25
170-947	11	171-610	26	172-128	19	172-446	25
170-991	33	171-610	21	172-130	19	172-455	28
170-992	33	171-611	26	172-134	19	172-467	28
170-993	33	171-612	26	172-140	19	172-494	3
171-021	32	171-613	26	172-141	19	172-498	17
171-030	10,11,13,15,25	171-614	26	172-142	19	172-499	17
171-032	11	171-639	32	172-143	19	172-500	19
171-039	32	171-666	13	172-165	19	172-784	14
171-048	7	171-668	13	172-166	19	172-800	19
171-049	7	171-696	10	172-173	29	172-801	19
171-085	33	171-712	28	172-174	29	172-802	19
171-087	32	171-723	25	172-175	29	172-803	19
171-094	32	171-748	28	172-194	23	172-804	19
171-098	33	171-772	32	172-195	29	172-822	5,7
171-102	33	171-782	12	172-196	23	172-823	5
171-116	32	171-799	23,28	172-197	23	300-006	15
171-136	13,14,15	171-801	3	172-198	23	300-007	29
171-151	13	171-814	26	172-199	23	300-010	14
171-158	17,19	171-820	28	172-200	23	300-022	10
171-174	33	171-847	15	172-201	23		
171-178	13	171-883	13	172-202	23		
171-186	13	171-905	28	172-203	23		
171-189	15	171-911	28	172-204	23		
171-189	15	171-913	28	172-205	23		
171-203	32	171-914	28	172-206	23		
171-210	33	171-915	28	172-207	23		
171-252	32	171-916	28	172-208	23		
171-255	33	171-919	7	172-209	23		
171-257	13	171-919	3	172-210	23		
171-259	12	171-920	9	172-211	23		
171-260	12	171-930	3,7	172-222	23		
171-265	12	171-932	13	172-223	23		
171-266	12	171-934	3,7	172-227	23		
171-275	32	171-935	5	172-238	28		
171-283	33	171-936	17,19	172-287	3		
171-291	32	171-937	11,13	172-288	3		
171-297	13	171-938	13	172-289	7		
171-302	7	171-940	13	172-290	7		
171-330	13	171-947	28	172-291	5		
171-366	32	171-948	28	172-292	28		
171-380	17	171-949	28	172-309	17		
171-381	19	171-960	17,19	172-311	19		