



TRAILER PARTS MANUAL FOR VERTICAL MIXER MODELS 5032,5042,5055

Table of Contents

Abbreviations	2
Using This Service Parts Listing	3
Body Parts	4
Jackstand Parts	5
Light Kit	5
Wheel Hub and Parts - 5032	6
Wheel Hub and Parts - 5042	7
Wheel Hub and Parts - 5055	8
Gearbox Input and Pinion Gear Drive Parts 5032, 5042 - 325 and After, 5055	9
Gearbox Input and Pinion Gear Drive Parts S/N 5042 - 325 and Before	10
Auger Drive and Tower Assembly Parts - 5032, 5042 and 5055	11
Auger Drive and Tower Assembly Parts - 5032, 5042 and 5055	12
Auger Drive and Tower Assembly Parts - 5042 and 5055	13
Auger Drive and Tower Assembly Parts - 5042 and 5055	14
Auger Drive and Tower Assembly Parts - 5042 Only	15
Auger Assembly Parts - 5032	16
Auger Assembly Parts - 5042	17
Auger Assembly Parts - 5055	18
Door and Cylinder Parts 5032,5042 and 5055	19
Door and Cylinder Parts 5042 and 5055	20
Slide Tray Option	21
Three Auger Discharge Parts	22
Three Auger Discharge Parts	23
Three Auger Discharge Parts	24
Chain and Slat Chute Parts - 5032, 5042 Between S/N 184 and 5055	25
Chain and Slat Chute Parts - 5032, 5042 - S/N 184 and After 5055	26
Chain and Slat Chute Parts - 5042 -183 and Before	27
Chain and Slat Chute Parts - 5042 -183 and Before	28
Selector Valve Option	29
Side Extension and Hay Retention Options	30
Safety Chain for Towed Equipment	30
PTO Driveline - 5032 and 5042 (540 RPM - 6 -Spline-1 3/8 Yoke)	31
PTO Driveline - 5055 (1000 RPM - 21 -Spline-1 3/8 Yoke)	32
PTO Driveline - 5055 (1000 RPM - 20 -Spline-1 3/4 Yoke)	33
GearBox Parts - 5042 5032, 5042 After Serial Number 324	34
Gearbox Parts - 5042 Used on Units Before Serial Number (5042-325)	35
Gearbox Parts - 5055	36
Decal and Paint List	37
Scale Parts	38
Hardware Part Number Listing	40
Part Number Index	42

Catalog Part Number 005894 Unit Serial Number _____
Operator Instruction Manual for this unit: 005893

Abbreviations

Assy	Assembly
A/R	As Required
B	Bolt
Brg	Bearing
BSN	Before Serial Number
Btm	Bottom
C-Bolt	Carriage Bolt
Cttr	Cotter
CV	Constant Velocity
Deg	Degree
Dia	Diameter
ea	Each
eq or Equiv	Equivalent
Fln	Flanged Lock Nut
Fw	Flat Washer
Ga	Gauge
Gr or Grd	Grade
Hd	Head
Hfw	Heavy Flat Washer
Hyd	Hydraulic
ID	Inside Diameter
Ill or Illus	Illustration
Ind	Indicator
Jn	Jam Nut
Kw	Keyway
LH	Left Hand
Ln	Lock Nut
Lw	Lock Washer
Mtg Hrd	Mounting Hardware
NC	National Coarse
NF	National Fine
NPT	National Pipe Thread
OD	Outside Diameter
Pc(s)	Piece(s)
PD	Pitch Diameter
PTO	Power Takeoff (shaft)
Q or Qty	Quantity
Reg Mach	Regular Machine
RH	Right Hand
SN	Serial Number
SHCS	Socket Head Cap Screw
Spk, or Spkt or Sprkt	Sprocket
Sq	Square
SS	Stainless Steel
SSB	Stainless Steel Bolt
St	Straight
Std	Standard
STS	Self Tapping Screw
UASN	Used After Serial Number
UBSN	Used Before Serial Number
W	With
W/O	With Out

Using This Service Parts Listing

This listing uses a number indentation system to specify the parts of an assembly. Any number which is indented to the right, indicates that it is a component of the item to the upper left. Example:

<u>Part no</u>	<u>Qty</u>	<u>Description</u>
102-AAA	#	Assembly A
102-BBB	#	Sub-Assembly B
(Component of A)		
140-xxx	#	Sub-Component of B
140-xxx	#	Sub-Component of B
102-CCC	#	Sub-Assembly C
(Component of A)		
etc.		

Using this system, the subassemblies and their components are included if an **Assembly** is ordered. Similarly, the components of a subassemblies are included if a subassembly is ordered.

The quantity (Qty) associated with an assembly, represents the number of times an assembly could be shown in the drawing. The subassembly quantity however, is the number of times a subassembly is used to build one assembly. Similarly, the component quantity refers to the number of times a given component is found in one subassembly.

MODEL AND SERIAL NUMBER INFORMATION is located near the front left hand corner (Figure A). The model number, serial number and part number should be known when asking service personnel for parts.

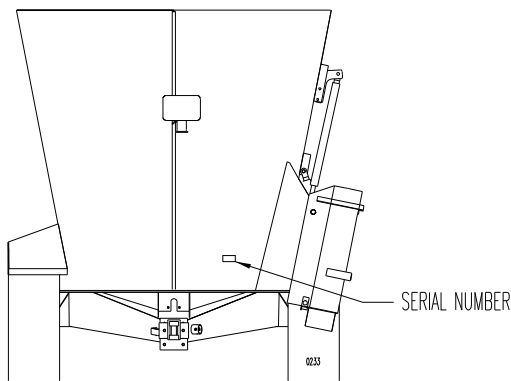


Figure A

The serial number may consist of a number, or a number with a letter prefix. When referring to serial number breaks in the text of this manual, a serial number with a prefix will have been manufactured after a serial number without a prefix (A001 made after 0123). Likewise, a higher prefix letter would indicate manufacture after a lower prefix letter (B001 made after A123). Therefore, if the text refers to units manufactured after serial number B123, this would include “B” series numbers greater than 123, and all numbers with a higher letter prefix.

If you cannot find the part you need, be as descriptive as possible when placing an order:

Sprockets: give the bore size, number of teeth, and size of keyway.

Roller chain: give the size of chain (stamped on the side of each link) and number of links.

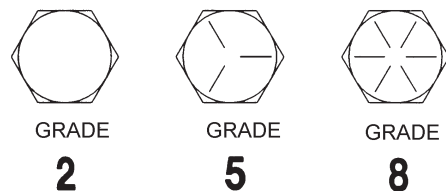
Shafting: give the diameter, length, and quantity and size of keyways.

Hardware is generally not included with parts. If you need any hardware, check the size, the length, and the grade (Fig. B), then check the hardware list in this manual for the part numbers.

All hex head bolts are grade 5, and nuts are grade B unless otherwise stated.

The hardware listing also includes listings for zerks, cotter pins, set screws, and roller chain links.

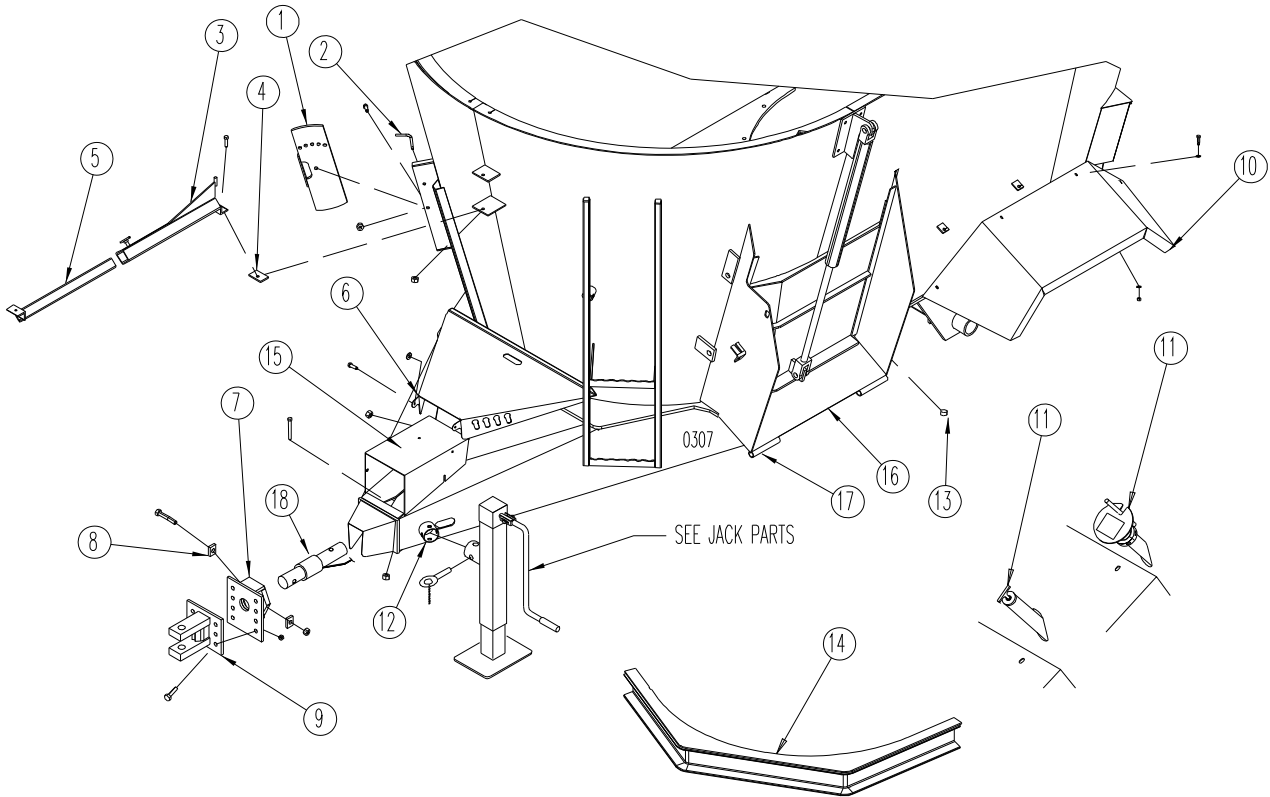
The illustrations in this manual are meant to be used only as a guide for identifying parts and locating their relative positions.



BOLT HEAD GRADE MARKING

0072

Body Parts



REF	PART NO	QTY	DESCRIPTION
1	103-678	2	Haydog; Mtg. Hrd: 1/2" x 1 3/4"B, LN (1EA)
2	174-765	2	Bent Hitch Pin, 1/2" DIA x 2 1/2"
3	102-437	1	Swing Arm, Outer; Mtg. Hrd: 1/2" x 1 1/2" B, LN,Includes T-bolt
4	136-454	1	Spacer Pad"
5	102-439	1	Swing Arm, Inner
6	141-035	1	Shield, Drive; Mtg. Hrd: 5/16" x 1"B, Belleville Washer,FLN(2EA)
	140-648 ^A	1	Shield, Drive; Mtg. Hrd: 5/16" x 1"B, Belleville Washer,FLN(2EA)
7	103-674	1	Clevis Mount; Mtg. Hrd: 3/4" x 4 1/2" GRD-8 B,LN
8	140-611	2	Clevis, Retainer
9	103-779	1	Clevis; Mtg. Hrd: 3/4" x 2"B, LN (4EA) 5042/5055
	101-741 ^C	1	Clevis; Mtg. Hrd: 3/4" x 2"B, LN (2EA) 5032
10	141-621 ^C	2	Fender (weld on)
	103-836 ^B	2	Fender; Mtg. Hrd:5/16" x 1 1/4"B,3/8" Heavy W, LW,FW,NUT(4EA)
	140-647 ^A	2	Fender; Mtg. Hrd:5/16" x 1 1/4"B,3/8" Heavy W, LW,FW,NUT(4EA)
11	140-780	1	Dipstick
	QR0105 ^A	1	Dipstick Assembly
12	171-615	1	Jack Mount Tube(weld on)
13	171-919	1	Drain Plug
14	103-907 ^A	1	Bumper Adapter (not included, can be retrofitted.)
15	141-001	1	Input bearing plate (weld on)
16	140-960	1	Door sill plate (weld on)
17	136-442	2	Pivot tube
18	174-763	1	Wrigh Bar, Hitch, 2-1/2"; Mtg Hrd; 3/4" x 4-1/2" (Grade 8) Bolt, Ln

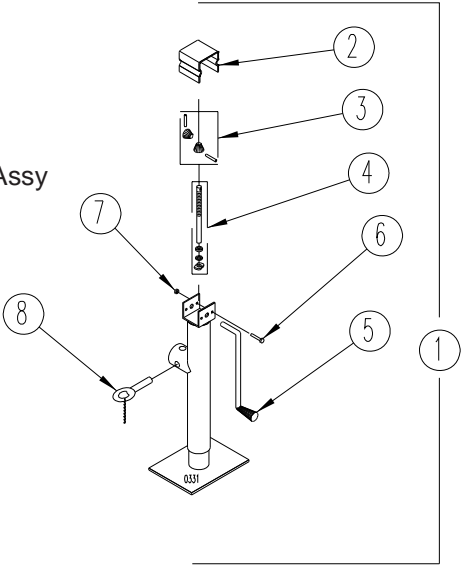
^A Used on units before serial number (5042-184)

^B Used on units serial numbers (5042-184 thru 5042-266) & (5055-51 thru 5055-85)

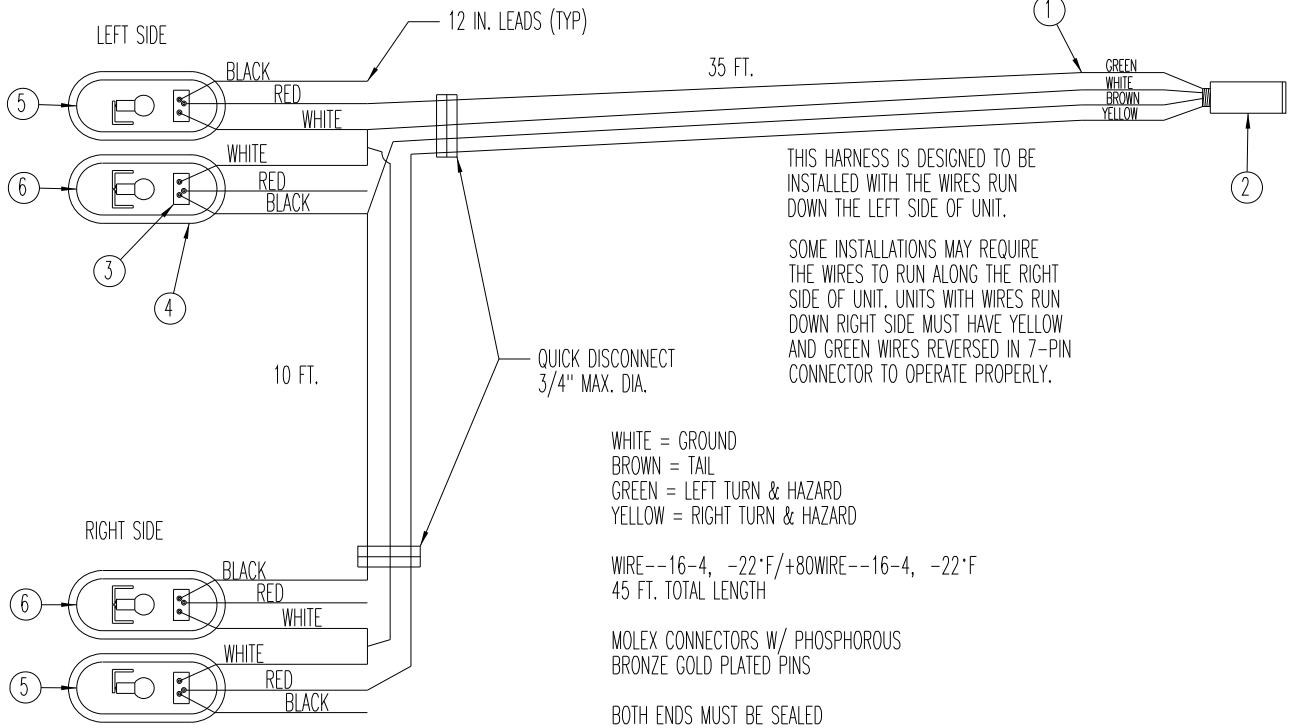
^C Used on units after serial number (5042-266) & (5055-85)

Jackstand Parts

REF	PART NO	QTY	DESCRIPTION
1	171-610	1	Jack, Sidewind 7000lb
2	171-814	1	Cover
3	171-614	1	Gear Kit (2 bevel gears, 2 pins)
4	171-611	1	Screw, Nut, Bearing & Washer Assy
5	171-612	1	Crank Assembly
6	170-509	2	Carriage Bolt; 1/4" x 3"
7	170-125	2	Nut, 1/4"
8	171-613	1	Pull Pin

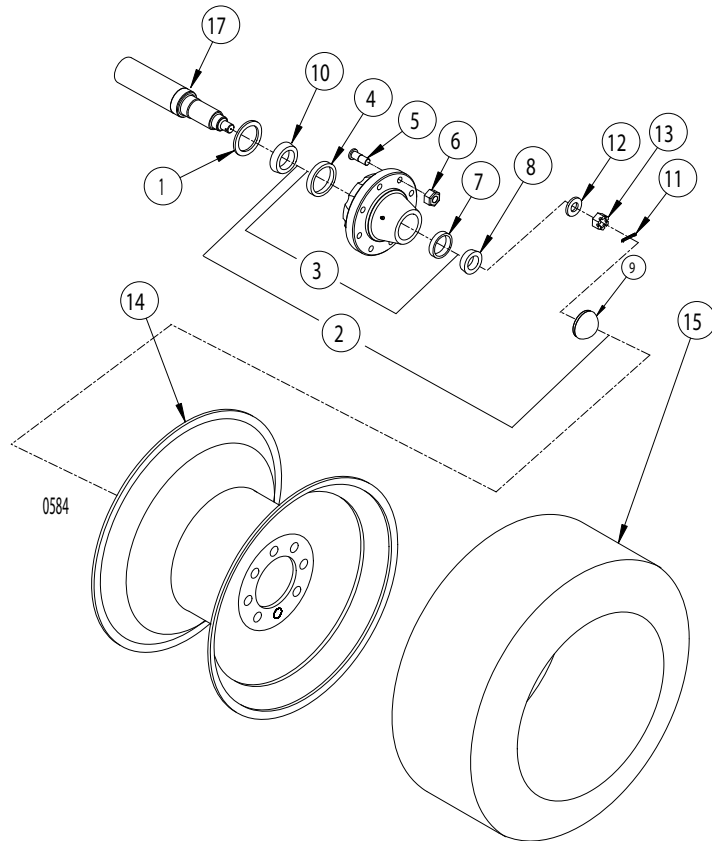


Light Kit



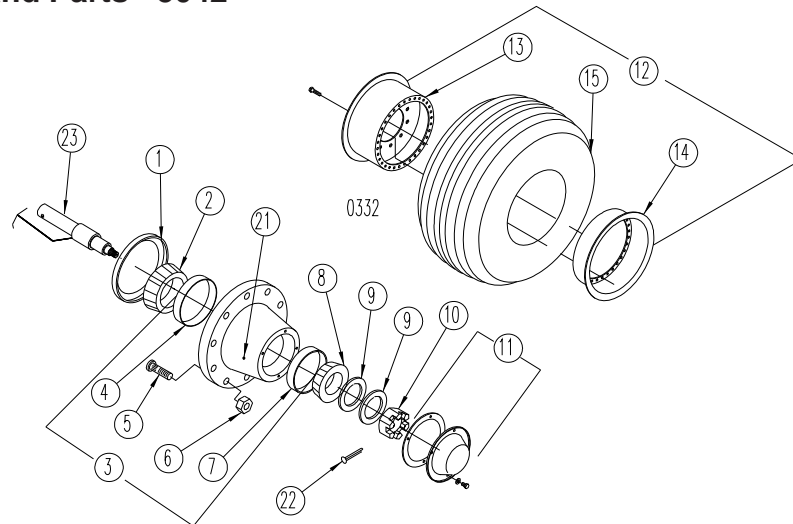
REF	PART NO	QTY	DESCRIPTION
	174-675	1	Light Kit
1	174-775	1	Wire Harness
2	172-110	1	7 Pin Connector (SAE J560B)
3	174-724	4	Light Connector (pigtail only)
4	174-725	4	Grommet
5	174-673	2	Light, Amber
6	174-674	2	Light, Red

Wheel Hub and Parts - 5032



REF	PART NO	QTY	DESCRIPTION
1	175-224	1	Grease Seal
2	171-815	1	8-Bolt Hub Assembly
3	171-823	1	8-Bolt Hub
4	171-824	1	Inside Bearing Race
5	171-826	8	Wheel Stud; 5/8"
6	171-827	8	Wheel Nut; 5/8"
7	171-825	1	Outside Bearing Race
8	171-829	1	Outside Bearing Cone
9	171-830	1	Dust Cap
10	171-828	1	Inside Bearing Cone
11	170-056	1	Cotter Pin; 1/4" x 2"
12	171-832	1	Spindle Washer
13	171-833	1	Castle Nut; 1" NF
	175-779	1	Wheel and Tire 34 x 1000R16 (Aircraft) (Not Shown)
14	175-237	1	Wheel Rim, 16 x 8 (Aircraft)
15	175-238	1	Tire, 34" x1000R16" (Aircraft)
	175-262	1	Tube, 34" x 16" (Aircraft) (Not Shown)
	175-261	1	Wheel and Tire 33 x 15.5 - 16.5 left hand (Skidsteer) (Not Shown)
	175-259	1	Wheel and Tire 33 x 15.5 - 16.5 right hand (Skidsteer) (Not Shown)
14	175-260	1	Wheel Rim, 16.5 x 12 (Skidsteer)
15	175-270	1	Tire, 33.50 x 15.50 NHS 14 Ply.
17	175-222	2	Weigh Bar, Spindle; 2-7/8"; Mtg Hrd; 5/8" x 4-1/2 Bolt, Ln

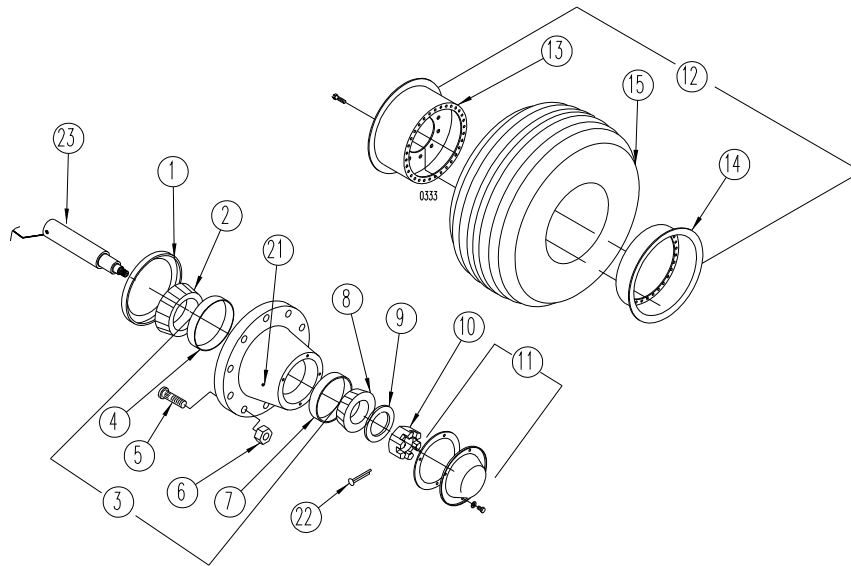
Wheel Hub and Parts - 5042



REF	PART NO	QTY	DESCRIPTION
1	174-754	1	Grease Seal; Transcom #28464TA
2	172-360	1	Bearing Cone; (Timken #33275)
3	172-396	1	Hub, Wheel 10 Hole
4	172-361	1	Bearing Race; #33462(Timken #33462)
5	170-919	10	Stud; Wheel, 3/4" NF
6	170-920	10	Lug Nut; 3/4" NF
7	170-922	1	Bearing Race; 453A
8	170-921	1	Bearing Cone; Timken 460
9	170-928	3	Washer Flat 1 1/4" USS
10	170-927	1	Nut; Spindle 1 1/4" NF; Ctr Pin 1/4" x 2"
11	170-926	1	Cover; Mtg. Hrd: 5/16" x 3/4" B, LW (4EA)
12	175-331	2	Wheel and Tire Assy, 46" x 18"-20" (Aircraft) (Optional)
13	175-334	1	Wheel Rim (inner); Mtg Hrd: 1/2" x 1 1/4" B, LN (32EA)
14	175-333	1	Wheel Rim (outer)
15	175-332	1	Tire 46" x 18"-20"
16	175-335	1	Inner Tube 46" x 18" (not shown)
17	175-336	1	Flap, 46" x 18" (not shown)
12	173-300	2	Wheel and Tire Assy, H40" x 14.5"-19" (2" neg offset)(Aircraft) (Optional)
13	173-302	1	Wheel Rim (inner)
14	173-301	1	Wheel Rim (outer)
15	173-926	1	Tire; H40" x 14.5"-19"
16	173-917	1	Inner Tube 40" x 14.5"-19" (not shown)
17	173-916	1	Flap, 40" x 14.5" (not shown)
12	173-008	2	Wheel and Tire Assy, 44.5" x 16.5"-18" (Aircraft) (Optional)
13	173-171	1	Wheel Rim (inner)
14	173-170	1	Wheel Rim (outer)
15	173-172	1	Tire; 44.5" x 16.5"-18"
16	173-173	1	Inner Tube 44.5" x 16.5"-18" (not shown)
17	173-174	1	Flap, 44.5" x 16.5" (not shown)
18	175-126 ^A	2	Wheel Rim; 22 1/2" x 11 1/4", 10 Bolt, (pos 2" offset) (not shown) (Truck)
	171-616 ^A	2	Wheel Rim; 22 1/2" x 11 1/4", 10 Bolt, (0" offset) (not shown) (Truck)
19	171-653	2	Tire, Truck 15" x 22 1/2" (not shown)
20	174-577	2	Inner Tube, Truck 15" x 22 1/2" (not shown)
21	170-023	1	Grease Fitting, 1/4"
22	170-056	1	Cotter Pin, 1/4" x 2"
23	174-758	2	Weigh Bar; Spindle, Mtg Hrd; 5/8" x 4-1/2" Bolt, Ln

^A Note offset prior to ordering

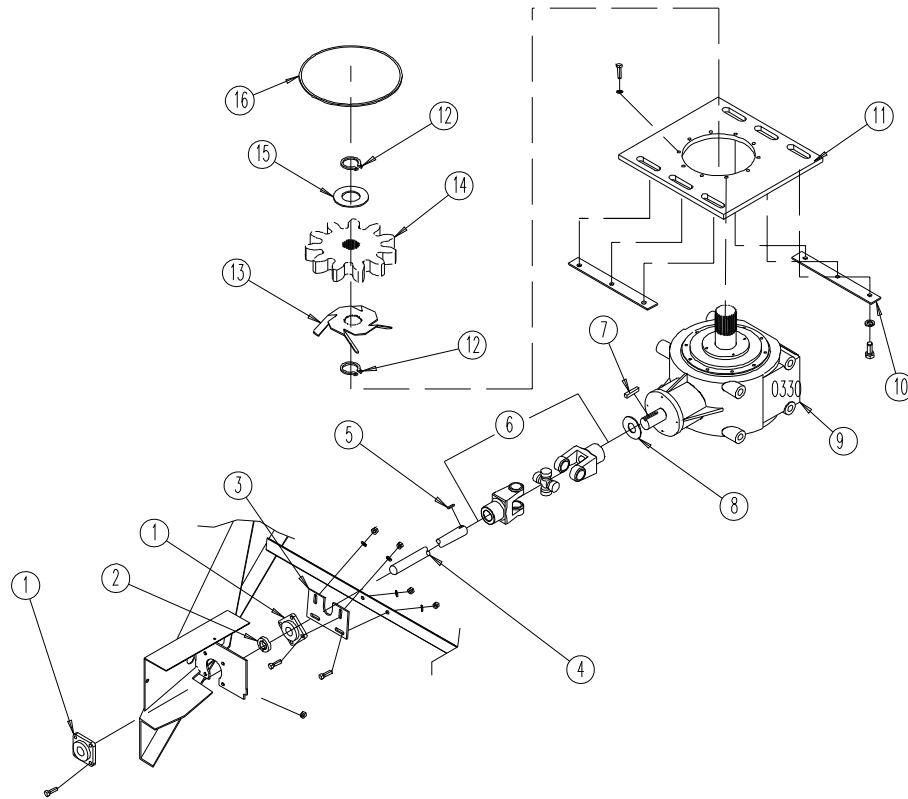
Wheel Hub and Parts - 5055



REF	PART NO	QTY	DESCRIPTION
1	174-755	1	Grease Seal; Transcom #37605SA
2	173-001	1	Bearing Cone; HM218248
3	172-999	1	Hub, Wheel 10 Hole
4	173-031	1	Bearing Race; HM218210
5	174-784	10	Stud, Wheel, 3/4" NF
6	170-920	10	Lug Nut; 3/4" NF
7	173-032	1	Bearing Race; HM212011
8	173-002	1	Bearing Cone; HM212049
9	174-757	1	Washer Spindle 2 1/16" x 4"
10	174-756	1	Nut; Castle
11	173-007	1	Cover; Mtg. Hrd: 5/16" x 3/4"B, LW (4EA)
12	175-331	2	Wheel and Tire Assy, 46" x 18"-20" (Aircraft) (Optional)
13	175-334	1	Wheel Rim (inner); Mtg Hrd: 1/2" x 1 1/4" B, LN (32EA)
14	175-333	1	Wheel Rim (outer)
15	175-332	1	Tire 46" x 18"-20"
16	175-335	1	Inner Tube 46" x 18" (not shown)
17	175-336	1	Flap, 46" x 18" (not shown)
12	173-300	2	Wheel and Tire Assy, H40" x 14.5"-19" (2" neg offset)(Aircraft) (Optional)
13	173-002	1	Wheel Rim (inner)
14	173-301	1	Wheel Rim (outer)
15	173-926	1	Tire; H40" x 14.5"-19"
16	173-917	1	Inner Tube 40" x 14.5"-19" (not shown)
17	173-916	1	Flap, 40" x 14.5" (not shown)
12	173-008	2	Wheel and Tire Assy, 44.5" x 16.5"-18" (Aircraft) (Optional)
13	173-171	1	Wheel Rim (inner)
14	173-170	1	Wheel Rim (outer)
15	173-172	1	Tire; 44.5" x 16.5"-18"
16	173-173	1	Inner Tube 44.5" x 16.5"-18" (not shown)
17	173-174	1	Flap, 44.5" x 16.5" (not shown)
18	171-616 ^A	2	Wheel Rim; 22 1/2" x 11 1/4", 10 Bolt, (0" offset) (not shown) (Truck)
	174-745 ^A	2	Wheel Rim; 22 1/2" x 13 1/2" 10 Bolt, (neg 1 1/2" offset) (not shown) (Truck)
19	171-653	2	Tire, Truck 15" x 22 1/2" (not shown)
	172-313 ^A	2	Tire, Truck 18" x 22 1/2" (not shown)
20	174-577	2	Inner Tube, Truck 18" x 22 1/2" (not shown)
21	170-023	1	Grease Fitting, 1/4"
22	174-804	1	Roll Pin, 3/8" x 3"
23	174-759	2	Weigh Bar; Spindle; 3-3/4"; Mtg Hrd; 5/8 x 5-1/5" Bolt, Ln

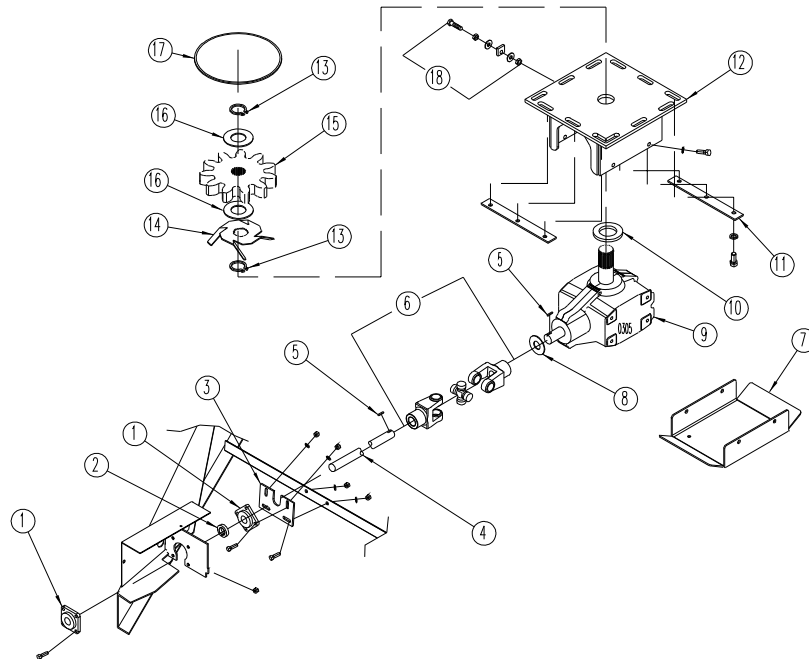
^A Verify wheel specifications prior to ordering

Gearbox Input and Pinion Gear Drive Parts 5032, 5042 - 325 and After, 5055



REF	PART NO	QTY	DESCRIPTION
1	171-585	2	Flange Bearing, Ecc. Lock; 1 3/8", 1/2" x 1 3/4", LW, Nut (6EA)
2	172-193	1	Shaft Collar; 1 3/8"
3	140-781	1	Bearing Mount Plate; Mtg Hrd: 1/2" x 1 1/4"B,FW,LW,Nut (2EA)
4	141-006	1	Shaft; 1 3/8" x 80" (5055)
	141-029	1	Shaft, 1 3/8" x 81" (5032 & 5042)
5	170-052	1	Key; 3/8" x 3/8" x 2 1/8"
6	174-884	1	U-Joint Assembly (5032 & 0542)
	174-908	1	Yoke; 1 3/8", 3/8" Key
	174-925	1	Yoke; 1 1/2", 3/8" Key
	174-909	1	Cross & Bearing Kit
	174-906	1	U-Joint Assembly (5055)
	174-908	1	Yoke; 1 3/8", 3/8" Key
	174-910	1	Yoke; 1 3/4", 1/2" Key
	174-909	1	Cross & Bearing Kit
7	170-019	1	Key; 1/2" x 1/2" x 2"
8	141-136	1	Trash Guard; 1 3/4" ID
9	175-118	1	Gearbox; 3:1 ratio, Mtg. Hrd: (174-911) M12 x 45MM B (10EA) 5032&5042
	174-873	1	Gearbox; 4 1/4:1 ratio, Mtg Hrd: (174-911) M12 x 45MM B(10EA) 5055
10	141-549	2	Gearbox Spacer
11	140-955	1	Gearbox Mount; Mtg Hrd: 3/4" x 2"B,LW,(6EA)
12	171-934	2	Snap Ring; 3" External, Waldes 5100 Series
13	141-131	1	Oil Slinger; 3"ID
14	105-387	1	Pinion Gear; 3" ID
15	172-368	AR	Shim; 1/8" x 3" x 4 1/4"
	172-367	AR	Shim; 1/16" x 3" x 4 1/4"
16	141-465	1	O-Ring; 5/16" x 15 1/8" ID

Gearbox Input and Pinion Gear Drive Parts S/N 5042 - 325 and Before



REF	PART NO	QTY	DESCRIPTION
1	171-585	2	Flange Bearing, Ecc. Lock; 1 3/8", 1/2" x 1 3/4", LW, Nut (6EA)
2	172-193	1	Shaft Collar; 1 3/8"
3	140-781	1	Bearing Mount Plate; Mtg Hrd: 1/2" x 1 1/4"B,FW,LW,Nut (2EA)
4	141-029	1	Shaft; 1 3/8 " x 81"
	140-649 ^B	1	Shaft; 1 3/8 " x 82"
5	170-052	2	Key; 3/8" x 3/8" x 2 1/8"
6	174-884	1	U-Joint Assembly
	174-885 ^A	1	U-Joint Assembly, Spline
	174-925	1	Yoke; 1 1/2", 3/8" Key
	174-998 ^A	1	Yoke; 1 3/4", 27 Spline
	174-908	1	Yoke; 1 3/8", 3/8" Key
	174-909	1	Cross & Bearing Kit
7	141-636 ^C	1	Skid Plate; Mtg Hrd: 5/8" x 2"B (4EA)
8	141-135	1	Trash Guard; 1 1/2" ID
	141-136 ^A	1	Trash Guard; 1 3/4" ID
9	174-805	1	Gearbox; 3:1 ratio, Mtg Hrd, 5/8" x 1 3/4"B, LW (8EA)
	(Gearbox with Splined Shaft no longer available)		
10	174-809	1	Oil Seal
11	140-786	2	Gearbox Spacer
12	103-772	1	Gearbox Mount; Mtg Hrd: 3/4" x 2"B,LW,(6EA)
	103-672 ^B	1	Gearbox Mount; Mtg Hrd: 5/8" x 1 3/4"B,LW (6EA)
13	170-152	2	Snap Ring; 2 1/2" External, Waldes 5100 Series
14	141-130	1	Oil Slinger; 2 1/2"ID
15	141-288	1	Pinion Gear; 2 1/2" ID (10 tooth)
	141-284 ^B	1	Pinion Gear; 2 1/2" ID (11 tooth)
16	171-968	A/R	Shim; 1/8" x 2 1/2" x 3 1/2"
	172-046	A/R	Shim; 1/16" x 2 1/2 " x 3 1/2"
17	141-465	1	O-Ring; 5/16" x 15 1/8" ID
	141-466 ^B	1	O-Ring; 5/16" x 14 3/4" ID
18	170-504	1	Hex Bolt 1/2" x 5"; Mtg Hrd: 1/2" Nut, FW(2EA)
	170-493 ^A	1	Hex Bolt 3/8" x 5"; Mtg Hrd: 1/2" Nut, FW(2EA)

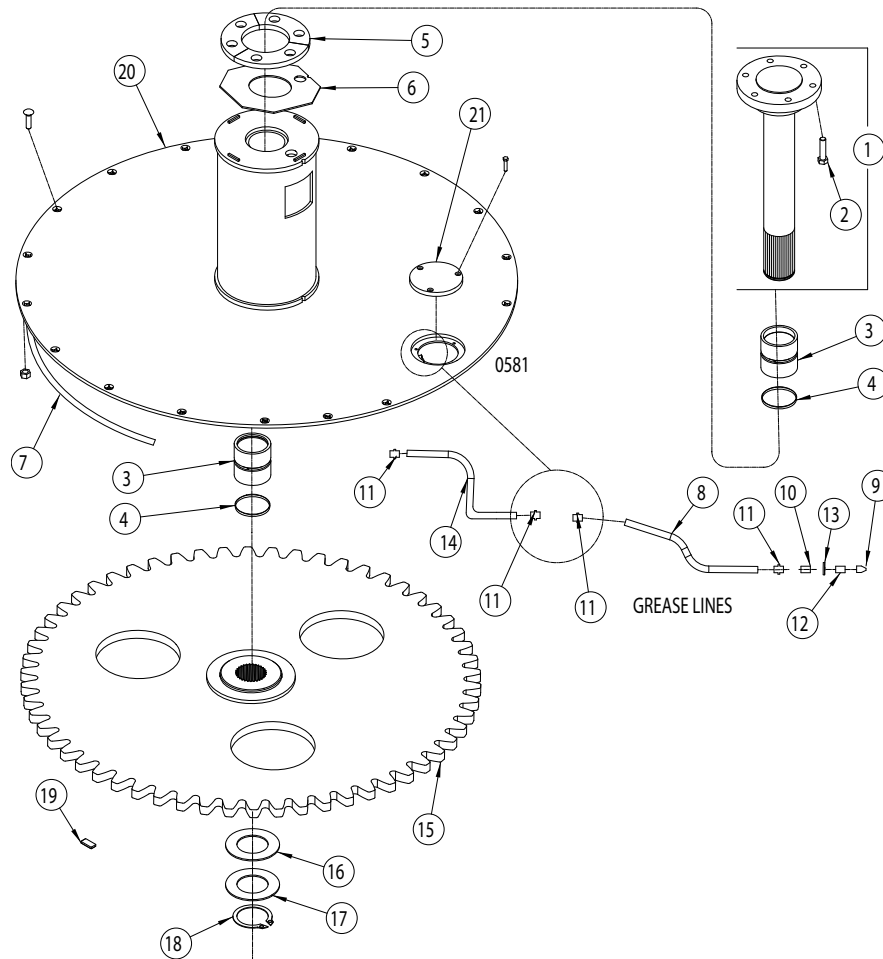
^A Units before SN 5042-120

^B Units before SN 5042-184

^C Not Standard Equipment For Use In Harsh Environments

Auger Drive and Tower Assembly Parts - 5032, 5042 and 5055

Used on Units, Serial Number (5042-324 & 5055-116 and After)



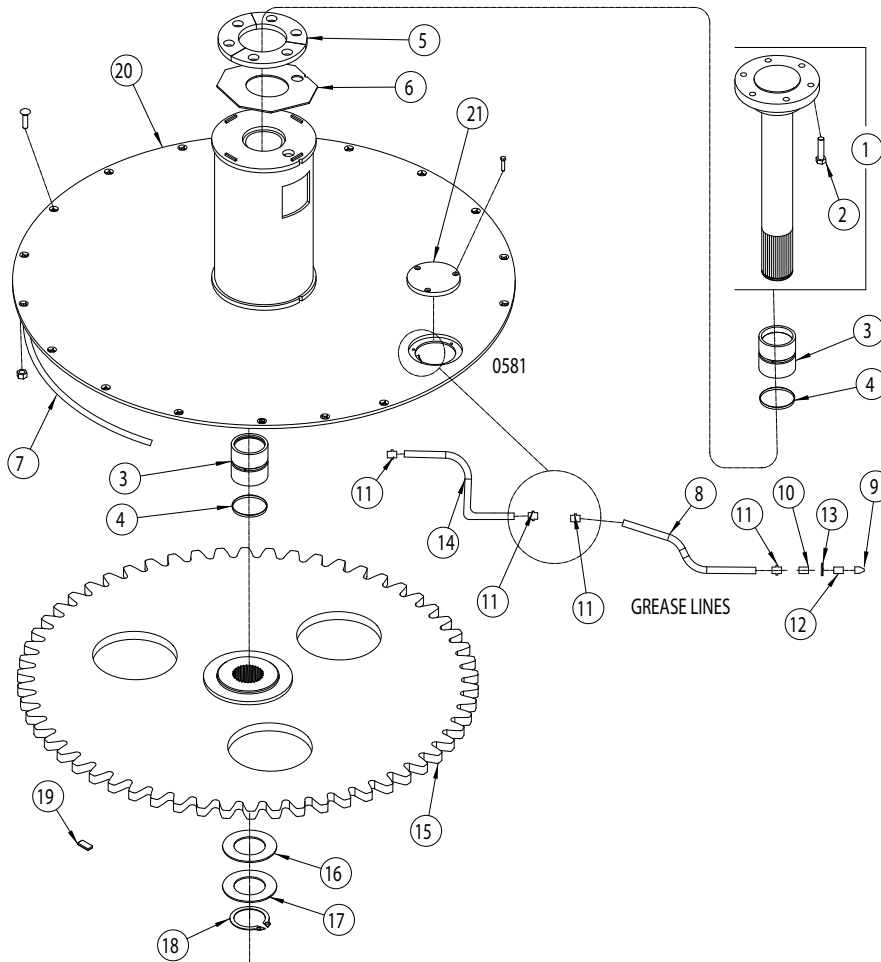
REF	PART NO	QTY*	DESCRIPTION
1	103-936	1	Auger Drive Shaft; 4" Dia
2	174-784	6	Stud, Wheel; 3/4" x 3 1/8"
3	141-594	2	Bearing, Plastic; 4"ID x 5"
4	172-913	2	Quad-Ring Seal; 4"ID
5	141-872	3	Thrust Washer
6	141-666	1	Wear Plate
7	171-935	43 ^{**}	Foam Rubber Seal; 3/8" x 3/4" (21' 6" EA)
8	180-768 ^{**}		Copper Grease Line; (Front Upper Auger 87" Rear Upper Auger 99) (Front Lower Auger 84" Rear Lower Auger 96") 30' 6" Total for unit.
9	170-865	1	Grease Zerk 1/8" NPT
10	172-024	2	Straight Adapter; 1/8" NPTF F x 1/8" NPTF F
11	173-583	6	Straight Adapter; 3/16" Tube x 1/8" NPTF M
	175-344	2	Grommet, Rubber; 3/4" x 3/16" x 3/16" (Not Shown)
12	174-762	2	Pipe Coupling; 1/8" STD NPT (weld on)
13	170-244	2	Washer, 3/8"

* Quantity shown is for 1 Tower Assembly

** Sold By Linear Foot.

Auger Drive and Tower Assembly Parts - 5032, 5042 and 5055

Used on Units, Serial Number (5042-324 & 5055-116 and After)



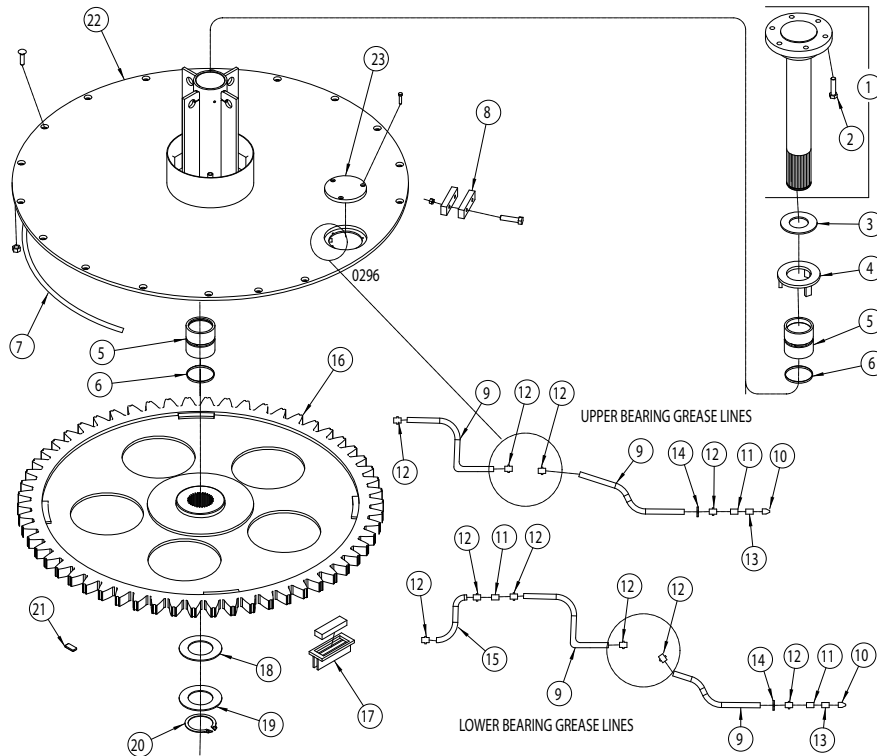
REF	PART NO	QTY*	DESCRIPTION
14	180-768	24 ^{**}	Copper Grease Line; (12" EA)
15	104-022	2	Bull Gear (5032)
	103-858	2	Bull Gear (5042 & 5055)
16	141-115	AR	Shim (1/4")
	141-116	AR	Shim (1/16")
17	174-777	2	Washer; 3/16" x 7" x 4 1/16" ID
18	171-989	2	Snap Ring; 4" External, Waldes 5100 series
19	174-769	4	Magnet (2 per side)
20	103-934	1	Front Tower; Mtg Hrd: 174-767 Plow Bolt, 5/8 x 2", LN (17EA) (5032)
	103-935	1	Rear Tower; Mtg Hrd: 174-767 Plow Bolt, 5/8 x 2", LN (17EA) (5032)
	104-019	1	Front Tower; Mtg Hrd: 174-767 Plow Bolt, 5/8 x 2", LN (17EA) (5042, 5055)
	104-020	1	Rear Tower; Mtg Hrd: 174-767 Plow Bolt, 5/8 x 2", LN (17EA) (5042, 5055)
21	141-671	1	Inspection cover; Mtg Hrd: 5/16" x 3/4" SSB (3EA) (5032)
	141-127	1	Inspection cover; Mtg Hrd: 5/16" x 3/4" SSB (3EA) (5042 & 5055)

* : Qty shown is for 1 Tower Assy.

** : Sold By Linear Foot.

Auger Drive and Tower Assembly Parts - 5042 and 5055

Used on Units, Serial Number (5042 - 184 thru 5042 - 323 & 5055 -115 and **Before**)



REF	PART NO	QTY*	DESCRIPTION
1	103-774	1	Auger Drive Shaft; 4" Dia
2	174-784	6	Stud, Wheel; 3/4" x 3 1/8"
3	140-618	1	Thrust Washer, Nylon; 1/4" x 4.06"ID x 7"OD
4	103-697 ^B	1	Thrust Plate
5	135-692	2	Bearing, Plastic; 4"ID x 5"
6	172-913	2	Quad-Ring Seal; 4"ID
7	171-935	43 ^{**}	Foam Rubber Seal; 3/8" x 3/4" (21' 6" EA)
8	140-722 ^A	2	Gear Guide, Top; Nylon: Mtg Hrd: 1/2" x 3 1/2" B, LN(2EA)
9	180-768 ^{**}		Copper Grease Line; (Front Upper Auger 87" Rear Upper Auger 99") (Front Lower Auger 84" Rear Lower Auger 96") 30' 6" Total for unit.
	181-036 ^{**C}		Copper Grease Line; (Front Upper Auger 87" Rear Upper Auger 99") (Front Lower Auger 84" Rear Lower Auger 96") 30' 6" Total for unit.
10	170-865	1	Grease Zerk 1/8" NPT
11	172-024	2	Straight Adapter; 1/8" NPTF F x 1/8" NPTF F
12	175-853		Straight Adapter
	172-822 ^C	6	Straight Adapter; 3/16" Tube x 1/8" NPTF M
	175-344		Grommet, Rubber
	174-807 ^C	2	Grommet, Rubber; 3/4" x 3/16" x 3/16" (Not Shown)
13	174-762	2	Pipe Coupling; 1/8" STD NPT (weld on)
14	170-244	2	Washer, 3/8"

*Quantity shown is for 1 Tower Assembly

**Sold By Linear Foot.

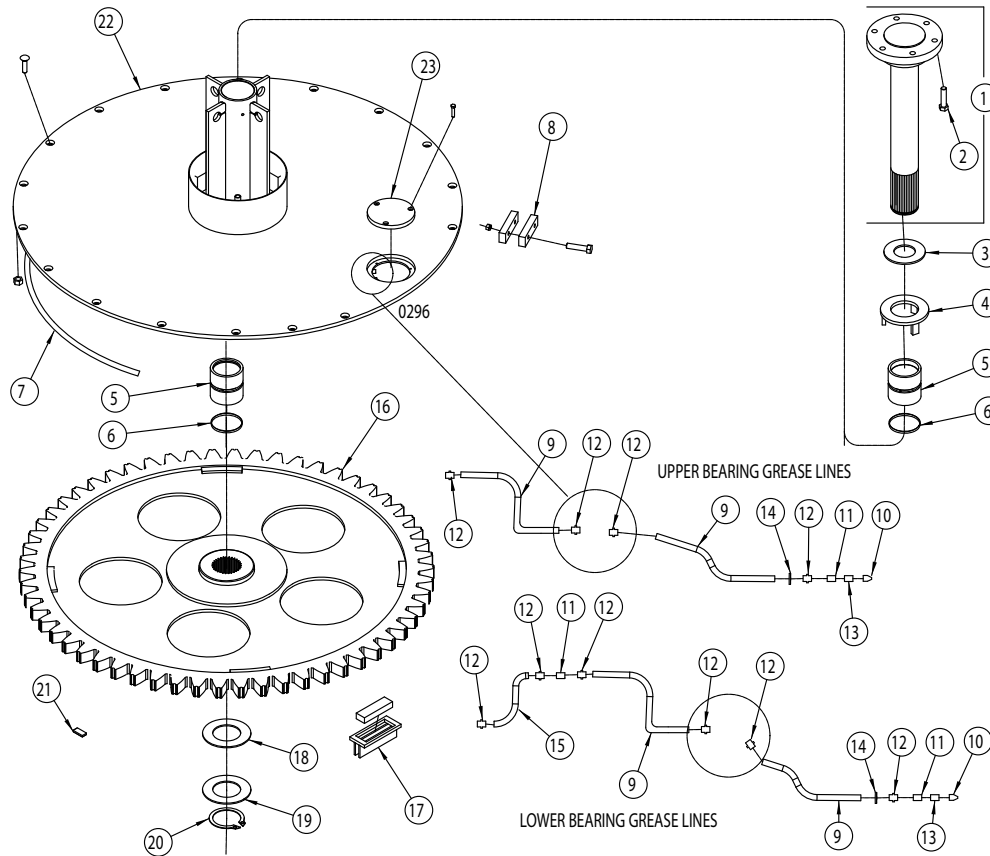
^A Used on serial number before (5042-200) or with laminated bullgears.

^B Used on serial number before (5042-268 & 5055-78)

^C Used on serial number before (5032-167; 5042-93; 5055-38)

Auger Drive and Tower Assembly Parts - 5042 and 5055

Used on Units, Serial Number (5042-184 Thru 5042-323 & 5055-115 and **Before**)

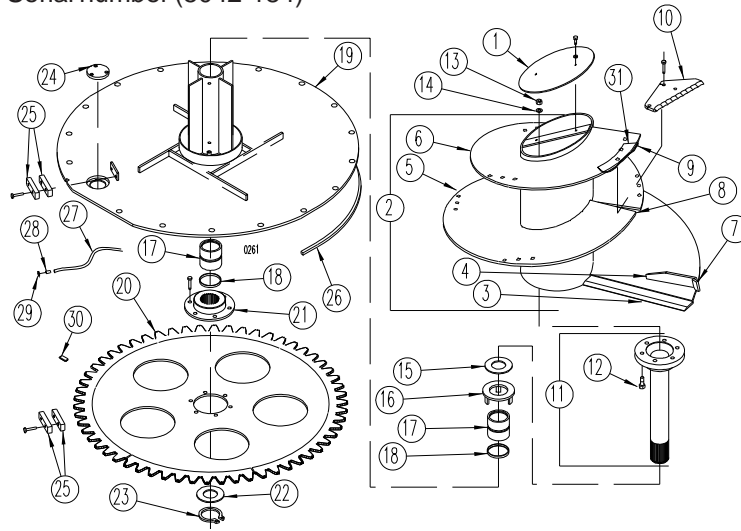


REF	PART NO	QTY*	DESCRIPTION
15	181-048	24***	Stainless Steel Line; (12" EA)
16	103-858	2	Bull Gear
17	141-185 ^A	2	Gear Guide, Bottom; Nylon
18	141-115	AR	Shim (1/4")
	141-116	AR	Shim (1/16")
19	174-777	2	Washer; 3/16" x 7" x 4 1/16" ID
20	171-989	2	Snap Ring; 4" External, Waldes 5100 series
21	174-769	4	Magnet (2 per side)
22	103-775	1	Front Tower; Mtg Hrd: 174-767 Plow Bolt, 5/8 x 2", LN (17EA)
	103-776	1	Rear Tower; Mtg Hrd: 174-767 Plow Bolt, 5/8 x 2", LN (17EA)
23	141-127	1	Inspection cover; Mtg Hrd: 5/16" x 3/4" SSB (3EA)

*Qty shown is for 1 Tower Assy.

**Sold By Linear Foot.

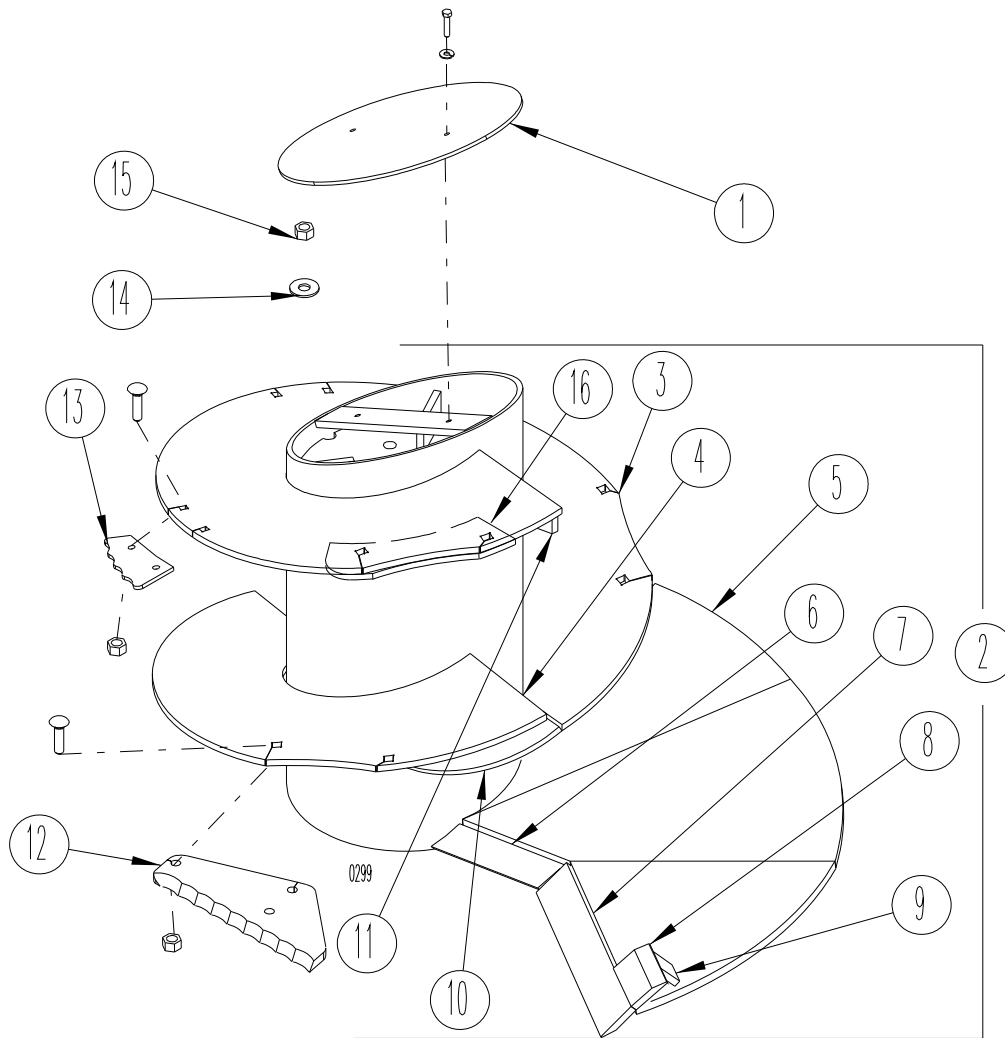
^A Used on units serial numbers (5042-184 Thru 5042-199) or with laminated bullgears.

Auger Drive and Tower Assembly Parts - 5042 OnlyUsed on Units **Before** Serial number (5042-184)

REF	PART NO.	QTY	DESCRIPTION
1	140-646	2	Plate; Auger Cover, Mtg Hrd: 3/8" x 3/4"SSB(174-788), LW (2EA)
2	103-679	2	Auger Assembly;
3	140-579	1	Leading Edge; (weld on)
4	141-063	1	Kicker Bar; (weld on)
5	141-134	1	Lower Flighting; 5/8" x 57"OD x 16"ID (weld on)
6	140-664	1	Upper Flighting; 1/2" x 38"OD x 16"ID (weld on)
7	141-416	1	Sweeper Bar (weld on)
8	141-415	1	Shark Tooth (weld on)
9	141-020	1	Upper Flighting Brace (weld on)
10	141-114	6	Knife; Mtg Hrd: 5/8" x 2" GRD5 C-bolt,FW,LN (2EA)
11	103-666	2	Auger Drive Shaft; 4" Dia.
12	174-784	6	Wheel Stud; 3/4"NF x 3 1/8"
13	173-520	12	Hex Nut; 3/4"NF GR 8
14	174-793	12	Washer, Lock 3/4" external tooth
15	140-618	2	Thrust Washer, Nylon; 1/4" x 4 1/16" ID x 7"OD
16	103-697	2	Thrust Plate
17	135-692	4	Bearing, Plastic; 4"ID x 5"
18	172-913	4	Quad-Ring Seal; 4"ID
19	103-669	1	Front Tower; Mtg Hrd: 174-767 Plow Bolt, 5/8" x 2", FW,LN (17EA)
	103-670	1	Rear Tower; Mtg Hrd: 174-767 Plow Bolt, 5/8" x 2", FW,LN (17EA)
20	103-838	2	Bull Gear
21	103-699	2	Bull Gear Hub; 4" Spline, Mtg Hrd: 3/4" x 2" GRD 8 B, LN
22	174-777	2	Washer; 3/16" x 7" x 4 1/16"ID
23	171-989	2	Snap Ring; 4" External, Waldes 5100 series
24	140-593	2	Plate, Inspection Cover; Mtg Hrd: 5/16" x 3/4" SSB (3EA)
25	140-722 ^B	8	Gear Guide; Nylon, Mtg Hrd: 1/2" x 3" B, LN
26	171-935 ^A	43'	Foam Rubber Seal; 3/8" x 3/4" (21' 6" EA)
27	181-036 ^A	18'	Grease Tube; Copper, 3/16" OD (2 @ 48", 2 @ 60")
28	172-822	4	Compression Fitting ; 3/16" Tube x 1/8" NPTF
29	174-807	4	Grommet; Rubber, 3/4" x 3/16"
30	174-769	4	Magnet (2 per side)
31	142-827	1	Flight Backer (Weld on)

^A Sold By Linear Foot.^B Used With Laminated Bullgear

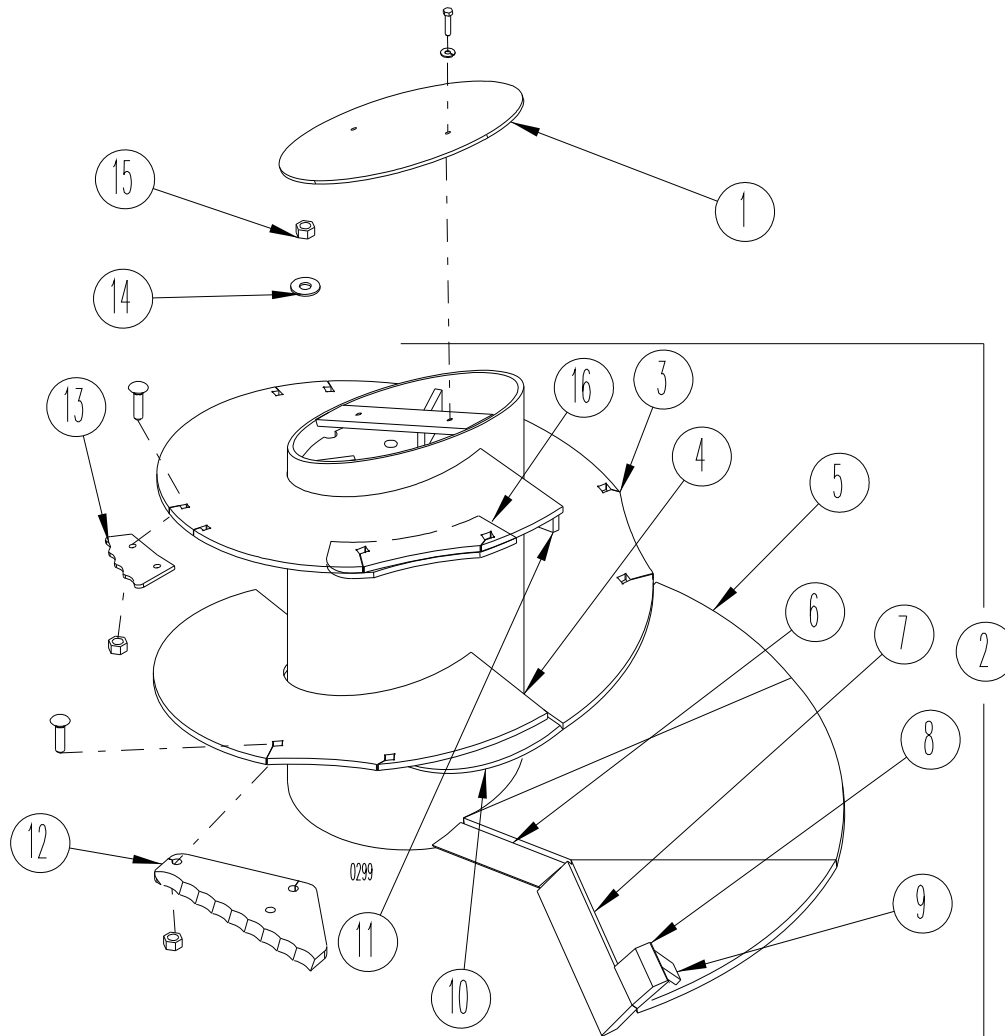
Auger Assembly Parts - 5032



REF	PART NO	QTY	DESCRIPTION
1	140-646	2	Auger Cover;Mtg hrd; 3/8" x 1 1/4" SSB(174-917), LW(2EA)
2	103-933	2	Auger Assembly
3	141-684	1	Top Flighting; 1/2" x 33" OD x 16" ID (weld on)
4	141-016	1	Middle Flighting; 1/2" x 33" OD x 16" ID (weld on)
5	141-673	1	Lower Flighting; 1/2" x 65"OD x 16"ID (weld on)
6	141-117	1	Filler Bar (weld on)
7	141-380	1	Leading Edge (weld on)
8	141-063	1	Sweeper Bar (weld on)
9	141-134	1	Sweeper Brace Bar (weld on)
10	141-019	1	Shark Tooth (weld on)
11	141-955	1	Upper Flighting Brace (weld on)
12	141-114	6	Knife; Mtg Hrd: 5/8" x 2" GRD5 C-bolt(175-110),FW,LN(170-031)(2EA)(8 MAX)
13	141-406	4	Knife,Scallop; Mtg Hrd:1/2" x 1 1/2" GRD5 C-bolt(174-918), LN(170-042) (2EA)
14	174-793	12	3/4" LW, External Tooth
15	170-920	12	Nut, Wheel; 3/4"
16	142-827	1	Flight Backer (Weld on)

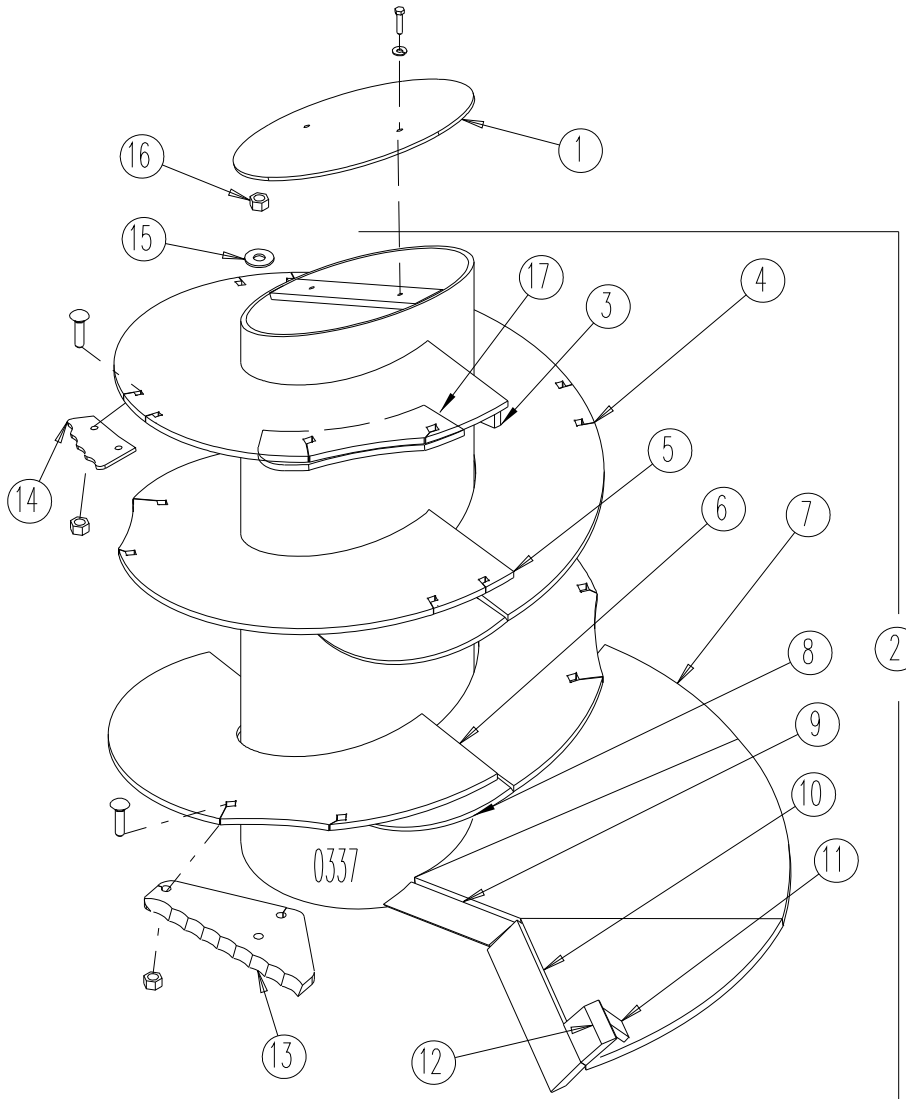
Auger Assembly Parts - 5042

Used on Units, Serial Number (5042-184) and **After**



REF	PART NO	QTY	DESCRIPTION
1	140-646	2	Auger Cover;Mtg hrd; 3/8" x 1 1/4" SSB(174-917), LW(2EA)
2	103-785	2	Auger Assembly
3	141-546	1	Top Flighting; 1/2" x 33" OD x 16" ID (weld on)
4	141-016	1	Middle Flighting; 1/2" x 33" OD x 16" ID (weld on)
5	141-014	1	Lower Flighting; 5/8" x 65"OD x 16"ID (weld on)
6	141-117	1	Filler Bar (weld on)
7	141-380	1	Leading Edge (weld on)
8	141-063	1	Sweeper Bar (weld on)
9	141-134	1	Sweeper Brace Bar (weld on)
10	141-019	1	Shark Tooth (weld on)
11	141-020	1	Upper Flighting Brace (weld on)
12	141-114	6	Knife; Mtg Hrd: 5/8"x 2" GRD5 C-bolt(175-110),FW,LN(170-031)(2EA)(8 MAX)
13	141-406	4	Knife,Scallop; Mtg Hrd:1/2" x 1 1/2" GRD5 C-bolt(174-918), LN(170-042) (2EA)
14	174-793	12	3/4" LW, External Tooth
15	170-920	12	Nut, Wheel; 3/4"
16	142-827	1	Flight Backer (Weld on)

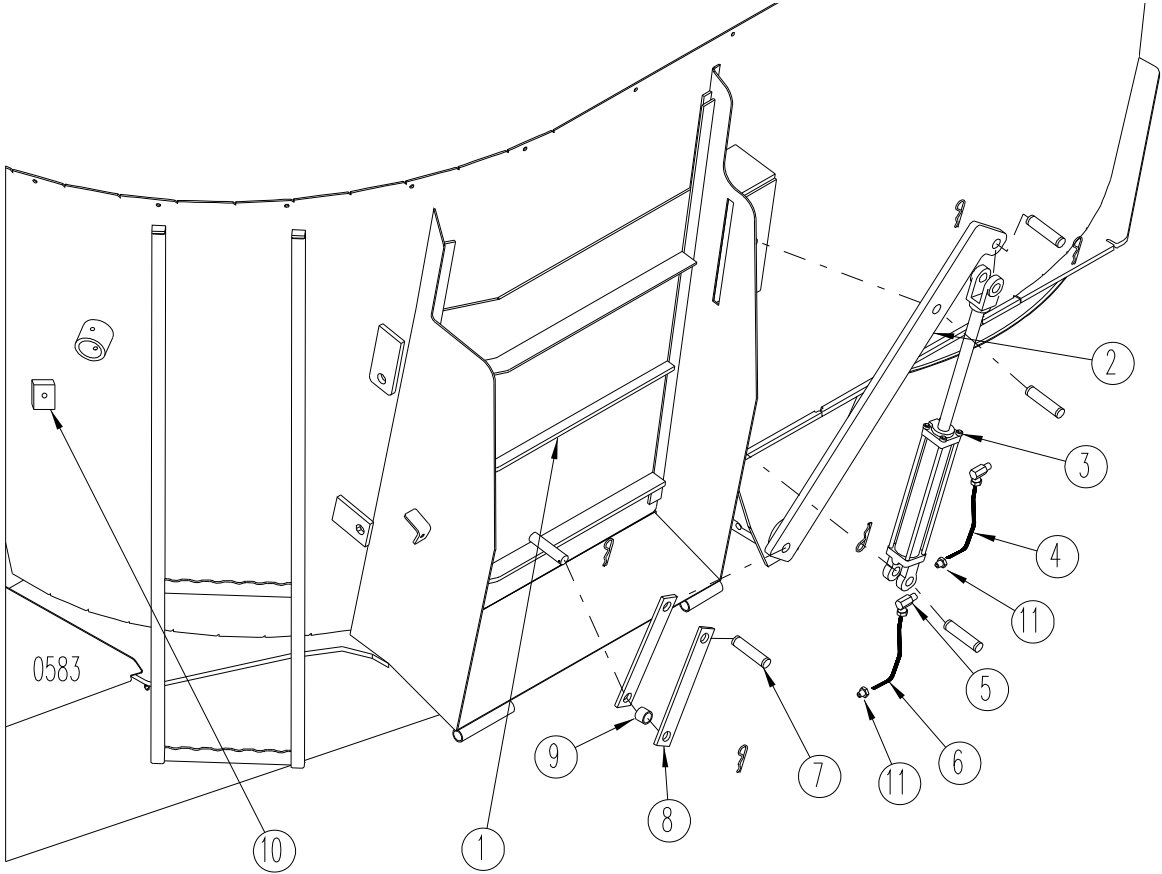
Auger Assembly Parts - 5055



REF	PART NO	QTY	DESCRIPTION
1	140-646	2	Auger Cover;Mtg hrd; 3/8" x 1 1/4" SSB, LW(2EA)
2	103-786	2	Auger Assembly
3	141-020	1	Upper Flighting Brace (weld on)
4	141-015	1	Top Flighting; 1/2" x 33" OD x 16" ID (weld on)
5	141-013	1	Middle Flighting (top); 1/2" x 33" OD x 16" ID (weld on)
6	141-016	1	Middle Flighting (bottom); 1/2" x 33" OD x 16" ID (weld on)
7	141-014	1	Lower Flighting; 5/8" x 65"OD x 16"ID (weld on)
8	141-019	2	Shark Tooth (weld on)
9	141-117	1	Filler Bar (weld on)
10	141-380	1	Leading Edge (weld on)
11	141-134	1	Sweeper Brace Bar (weld on)
12	141-063	1	Sweeper Bar (weld on)
13	141-114	8	Knife;Mtg Hrd:5/8" x 2" GRD 5 C-bolt(175-110),LN(170-031)(2EA),(10-MAX)
14	141-406	4	Knife,Scalloped;Mtg Hrd:1/2" x 1 1/2"GRD 5 C-bolt(174-918),LN(170-042)(2EA)
15	174-793	12	3/4" LW, External Tooth
16	170-920	12	Nut, Wheel; 3/4"
17	142-827	1	Flight Backer (Weld on)

Door and Cylinder Parts 5032,5042 and 5055

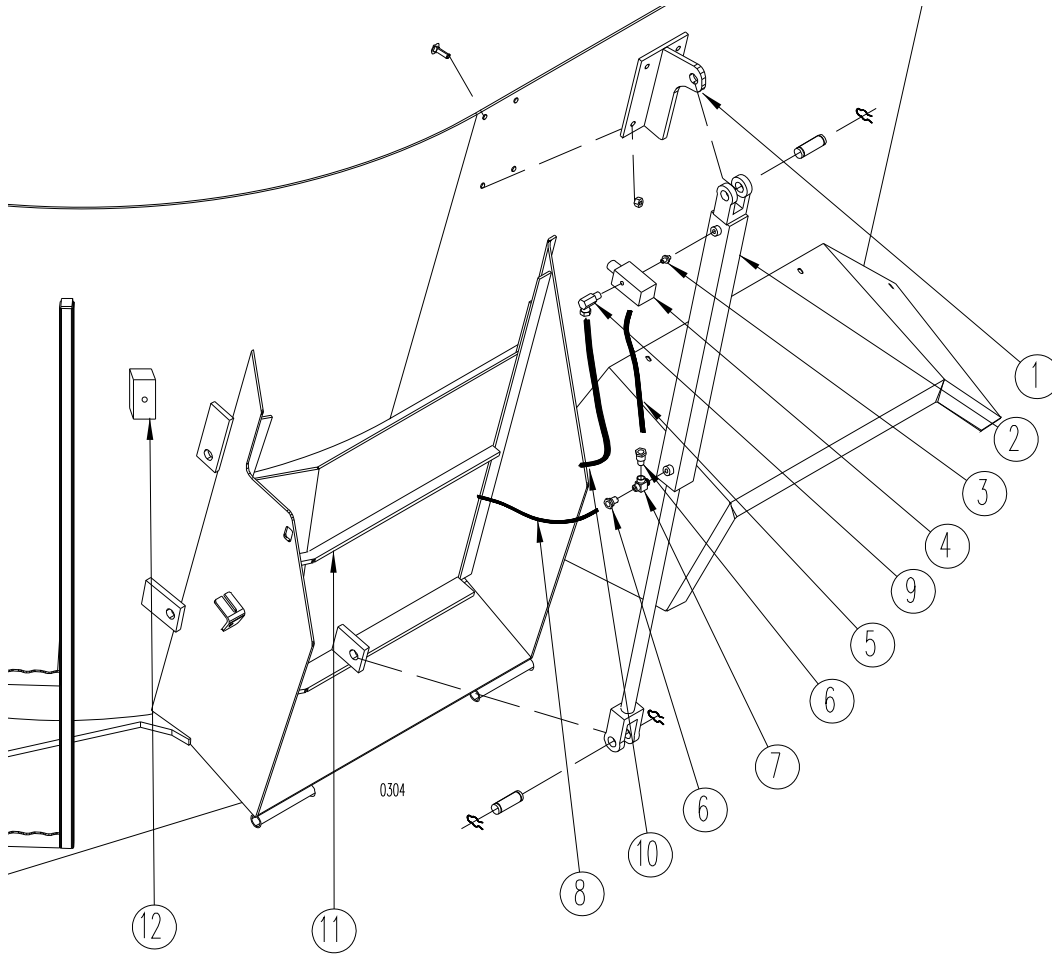
Used on Units, Serial Number (5042-293, 295, 323 5055-88 and After)



REF	PART NO	QTY	DESCRIPTION
1	103-928	1	Door Assembly
2	141-616	1	Linkage Arm
3	173-567	1	Hydraulic Cylinder; 2 1/2" x 12" (Seal Kit 170-464)
4	173-493	1	Hydraulic Hose; 1/4" x 198"
5	171-030	2	Adapter, 3/8" x 90°
6	171-176	1	Hydraulic Hose; 1/4" x 182 3/4"
7	170-073	4	Pin
8	141-423	2	Connector Bar
9	140-806	1	Spacer Tube
10	174-771	1	Clamp, Tube; 3/4" ID, Mtg Hrd: 5/16" Nut
	174-772	3	Clamp, Tube; 1/2" ID, Mtg Hrd: 5/16" Nut
11	170-235	2	Reducer Bushing

Door and Cylinder Parts 5042 and 5055

Used on Units, Serial Number (5042-184 thru 292, 296 thru 322, 5055-51 thru 87)



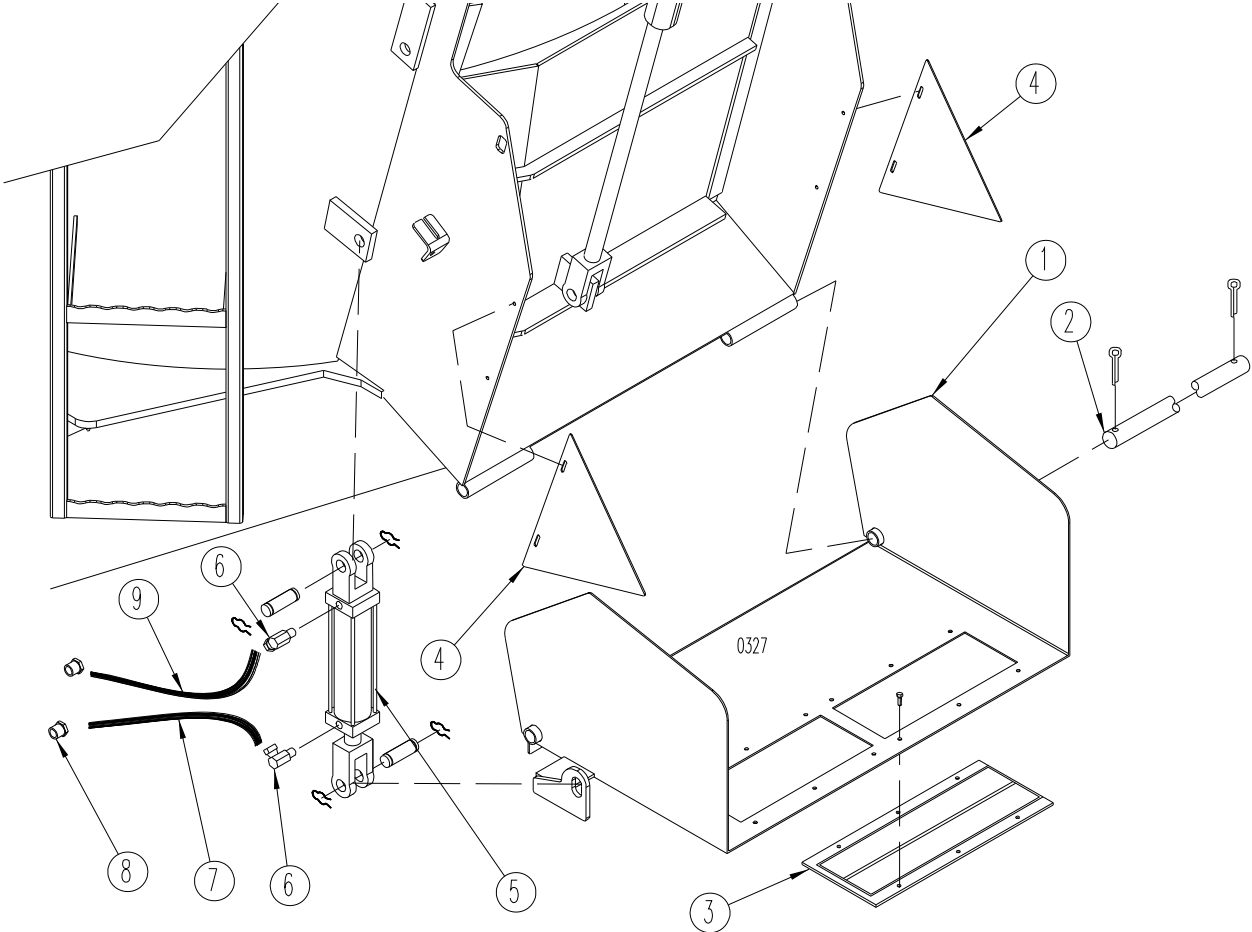
REF	PART NO	QTY	DESCRIPTION
1	103-777	1	Door Cylinder Mount; Mtg Hrd; 1/2" x 1 1/2" C-bolt, LW(4EA)
	140-626 ^A	1	Door Cylinder Mount; Mtg Hrd; 5/8" x 2" B, LN (2EA)
2	174-822 ^B	1	Hydraulic Cylinder; 2" x 30" (Seal Kit 174-823)
3	173-483	1	Straight Adapter
4	174-843	1	Relief Valve
5	171-202	1	Hydraulic Hose; 1/4" x 31 1/2"
6	170-233	2	Straight Adapter; Swivel
7	173-653	1	Tee Adapter
8	170-471	1	Hydraulic Hose; 1/4" x 170"
9	171-030	1	Adapter, 3/8" x 90°
10	171-464	1	Hydraulic Hose; 1/4" x 190"
11	103-787 ^C	1	Door Assembly
	103-673 ^A	1	Door Assembly
12	174-771	1	Clamp, Tube; 3/4" ID, Mtg Hrd: 5/16" Nut
	174-772	1	Clamp, Tube; 1/2" ID, Mtg Hrd: 5/16" Nut

^A Used on units before serial number 5042-184

^B Door cylinders utilized before serial number 5042-131 seal kit #170-075

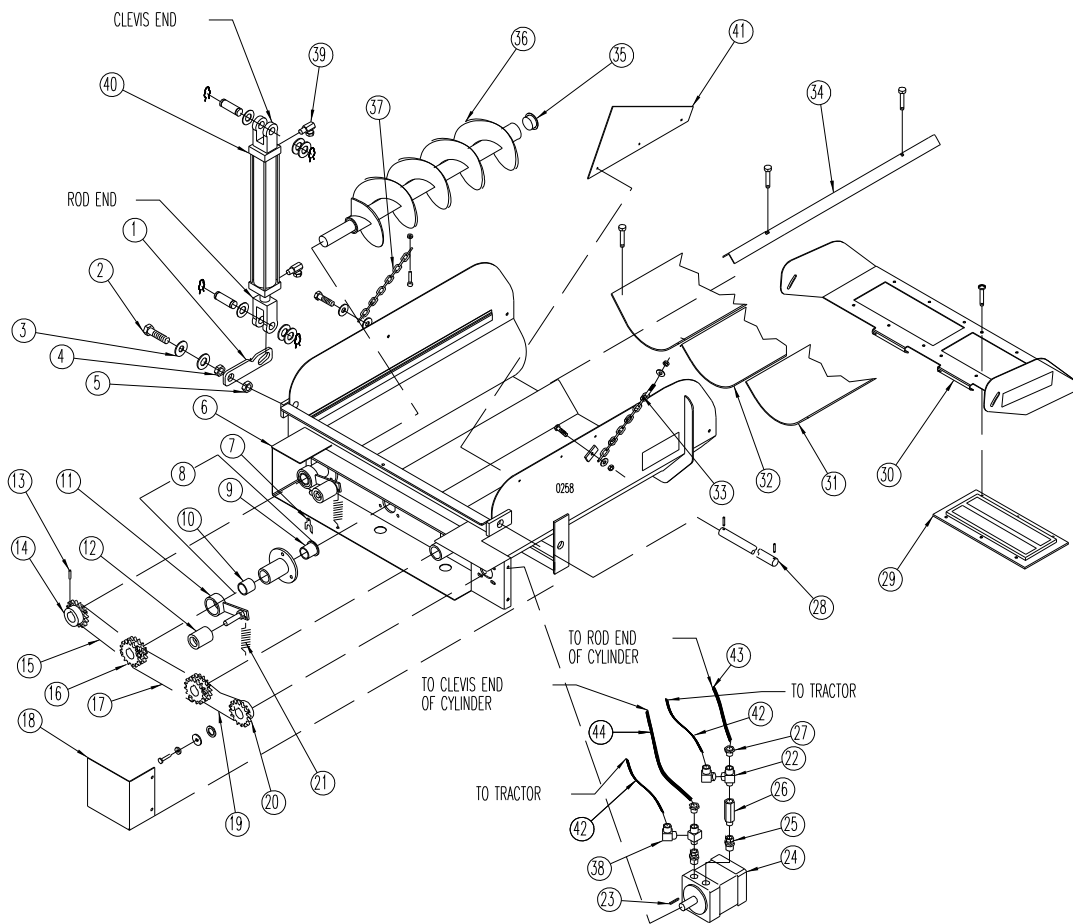
^C Used on units serial number 5042-293, 295, 323 and after.

Slide Tray Option



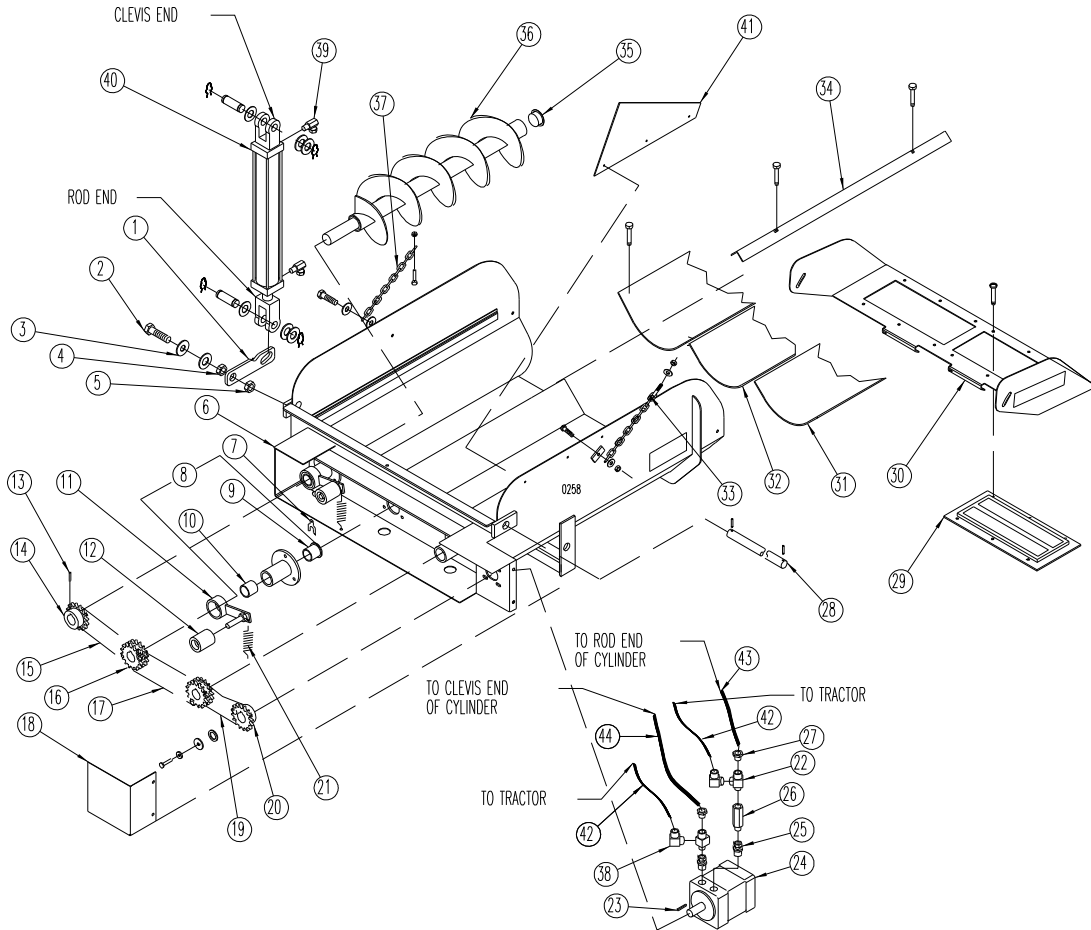
REF	PART NO	QTY	DESCRIPTION
1	103-731	1	Slide tray Assembly
2	136-444	1	Pivot Rod, 7/8" x 39 1/2"; Mtg. Hrd: Cotter Pin 3/16" x 2" (2EA)
3	171-937	2	Magnet; Mtg. Hrd: 1/4" x 3/4" Truss Head Bolt, FW, LW (6EA)
4	140-824	2	Deflector Plate; Mtg. Hrd: 1/4" x 3/4" Truss Head Bolt,FW,LW (2EA)
5	173-270	1	Cylinder; 2" Dia x 8", (Seal Kit #170-075) 173-274 Pin,172-275 Hairpin
6	171-030	2	Swivel Connector; 3/8" x 90°
7	170-466	1	Hydraulic Hose; 1/4" x 138"
8	170-235	2	Fitting Reducer; 1/2" to 3/8"
9	171-309	1	Hydraulic Hose; 1/4" x 132"

Three Auger Discharge Parts



REF	PART NO	QTY	DESCRIPTION
	103-706	1	Complete Chute Assembly 4'
	103-781	1	Complete Chute Assembly 3'
	103-755	1	Complete Chute Assembly 2'
1	133-952	1	Chute Cylinder Linkage Bar; Mtg. Hrd: 170-074 Hairpin Clip (2EA)
2	173-021	1	Bolt, 1" x 3 1/2" Hex Head
3	170-122	1	Spacer Washer; 1" SAE Flat
4	174-927	1	Nut, 1" Hex Jam
5	174-928	1	Nut, 1" Hex Lock
6	103-703	1	Chute Weldment 4'
	103-780	1	Chute Weldment 3'
	103-758	1	Chute Weldment 2'
7	171-265	A/R	Shim; .017" Thick
8	101-227	3	Auger Bearing Assembly; 3/8" x 1" B, Lw, Nut (3EA)
9	171-260	1	Bronze Bushing; 1-3/8" ID Flanged
10	171-259	1	Bronze Bushing; 1-3/8" ID
11	101-231	2	Chain Tightener Arm
12	134-395	2	Poly Block, Mtg. Hrd: 5/8 LW & Jam Nut
13	171-414	3	Roll Pin; 5/16" x 2 1/2"
14	140-902	1	Sprocket; 50-B-15, 3/8" Bore; Mtg. Hrd: 5/16" x 2 1/2" Roll Pin

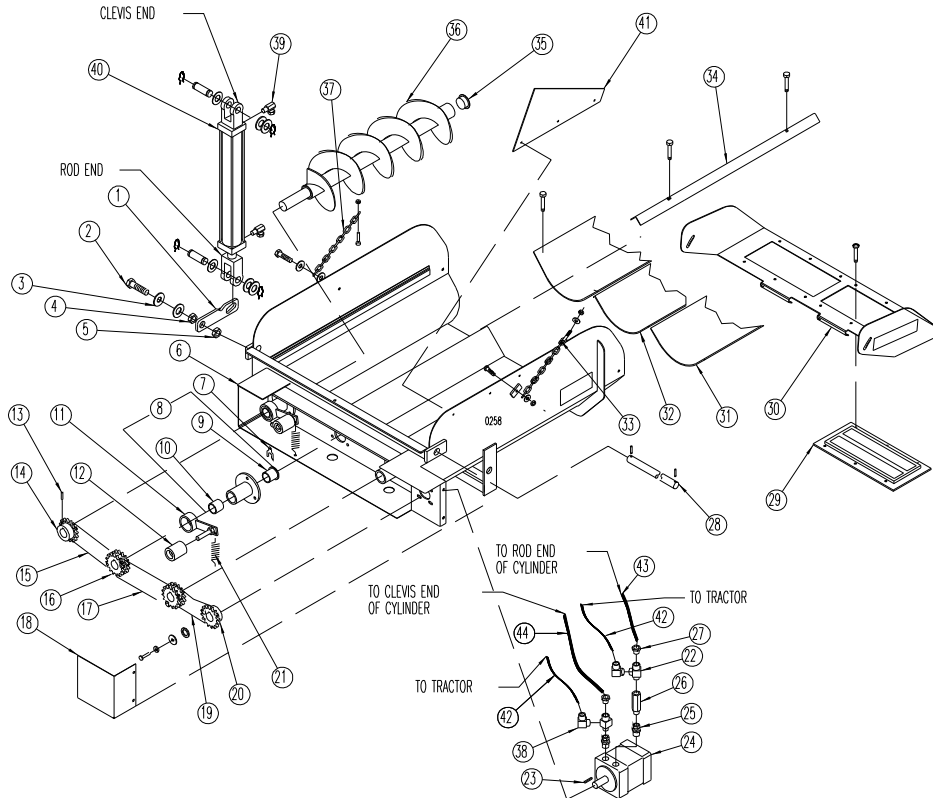
Three Auger Discharge Parts



REF	PART NO	QTY	DESCRIPTION
15	174-886	1	Roller Chain; 50-1-54 Pitch
16	134-390	2	Sprocket; 50-2R-18, 1-3/8" Bore; Mtg. Hrd: 5/16" x 2 1/2" Roll Pin
17	171-932	1	Roller Chain; 50-1-56 Pitch
18	140-896	1	Motor Drive Shield; Mtg. Hrd: 5/16" x 3/4" B, Lw, Nut (2EA)
19	171-008	1	Roller Chain; 50-1-47 Pitch
20	134-389	1	Sprocket; 50-B-18, 1" Bore, (Inc. 170-254 set screw)
21	170-110	2	Extension Spring
22	170-859	2	Service Tee; 1/2" FM x 1/2" FM x 1/2" M
23	171-883	1	Key; 1/4" x 1/4" x 1"
24	171-666	1	Hydraulic Motor; 12 cu.in. (Seal Kit #171-257) Mtg. Hrd: 3/8" x 7/8" B, Lw (4EA)
25	171-668	2	Straight Thread Adapter
26	171-151	1	Line Check Valve; 1/2" NPT
27	170-235	2	Reducer Bushing; 1/2" NPT M to 3/8" NPT F
28	136-444	1	Tip-off Pivot Rod; 7/8" x 39 1/2" Mtg. Hrd: 170-115 Cotter Pin (2EA)
29	171-937	2	Magnet; Mtg. Hrd: 1/4" x 3/4" Truss Head Bolt, Fw, Lw, Nut (6EA)
30	103-702	1	Tip-off Assembly; Mtg. Hrd: 5/16" x 1" B, LW Nut (2EA)
31	140-745	2	Plastic Chute Liner, 4'- Side; Mtg. Hrd: 1/4" x 3/4" Truss Head Bolt, LW, Nut (2EA)
	133-942	2	Plastic Chute Liner, 3'- Side; Mtg. Hrd: 1/4" x 3/4" Truss Head Bolt, LW, Nut (2EA)
	140-937	2	Plastic Chute Liner, 2'- Side; Mtg. Hrd: 1/4" x 3/4" Truss Head Bolt, LW, Nut (2EA)

^A Used on Units Before Serial Number (5042-184)

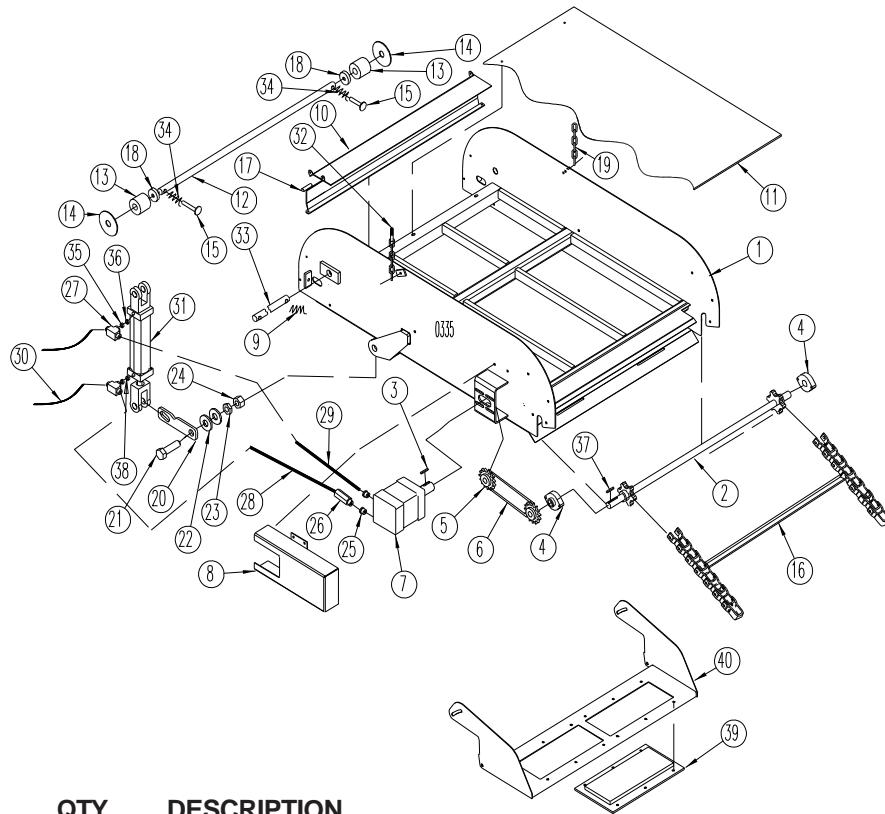
Three Auger Discharge Parts



REF	PART NO	QTY	DESCRIPTION
32	140-746	1	Plastic Chute Liner,4'- Center; Mtg. Hrd: 1/4" x 3/4" Truss Head B,LW, N (2EA)
	133-943	1	Plastic Chute Liner,3'- Center; Mtg. Hrd: 1/4" x 3/4" Truss Head B,LW, N (2EA)
	140-938	1	Plastic Chute Liner,2' - Center; Mtg. Hrd: 1/4" x 3/4" Truss Head Bolt,LW, Nut (2EA)
33	103-918	1	Chute Restraint Chain Assy. Mtg. Hrd: 5/16" x 1" Truss Head Bolt, FW,LW, Nut, 3/8" FW, LN
34	103-705	2	Liner Hold Down 4'; Mtg. Hrd: 1/2" Jam Nut, 5/16"x1 1/2" C-Bolt,FW,LN (2EA)
	140-897	2	Liner Hold Down 3'; Mtg. Hrd: 1/2" Jam Nut, 5/16"x1 1/2" C-Bolt,FW,LN (2EA)
	140-933	2	Liner Hold Down 2'; Mtg. Hrd: 1/2" Jam Nut, 5/16"x1 1/2" C-Bolt,FW,LN (2EA)
35	171-186	3	Plastic Cap Plug; #16
36	103-704	3	Auger Assembly, 4'
	101-736	3	Auger Assembly, 3'
	103-756	3	Auger Assembly, 2'
37	141-608	1	Chain; Coil 5/0-19 x 21 Link; Mtg. Hrd: 5/16" x 1" B, LW, Nut 5/16" x 1" Truss Head Bolt, FW, (3EA), Fln (1EA)
38	171-136	2	Swivel Connector; 90
39	171-030	2	Swivel Connector; 90
40	173-220	1	Cylinder;2"DIA x 18", (Seal Kit#170-075) 173274 Pin,172-275 Hairpin
41	140-787	1	Plastic Extension; Mtg. Hrd: .19#11 pop rivet (173-391),FW (3EA)
42	171-330	2	Hydraulic Hose; 1/2"x 168" OAL
43	171-193	1	Hydraulic Hose; 1/4"x 29" OAL
	171-427 ^A	1	Hydraulic Hose; 1/4"x 82" OAL
44	175-062	1	Hydraulic Hose; 1/4"x 42" OAL
	171-940 ^A	1	Hydraulic Hose; 1/4"x 64" OAL

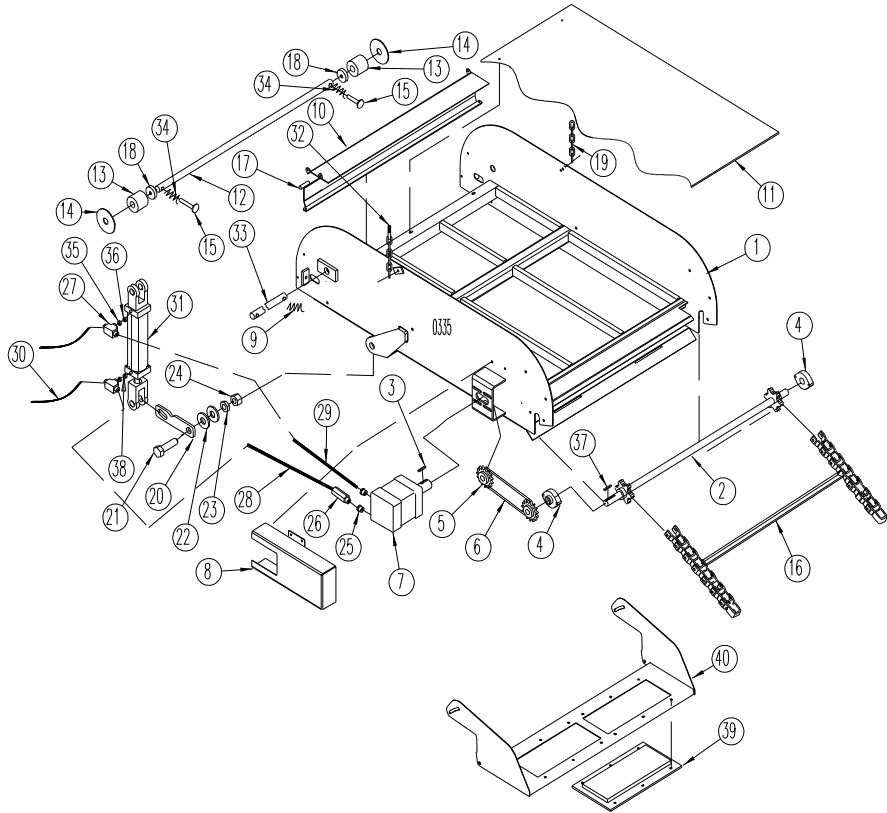
^A Used on Units Before Serial Number (5042-184)

Chain and Slat Chute Parts - 5032, 5042 Between S/N 184 and 5055



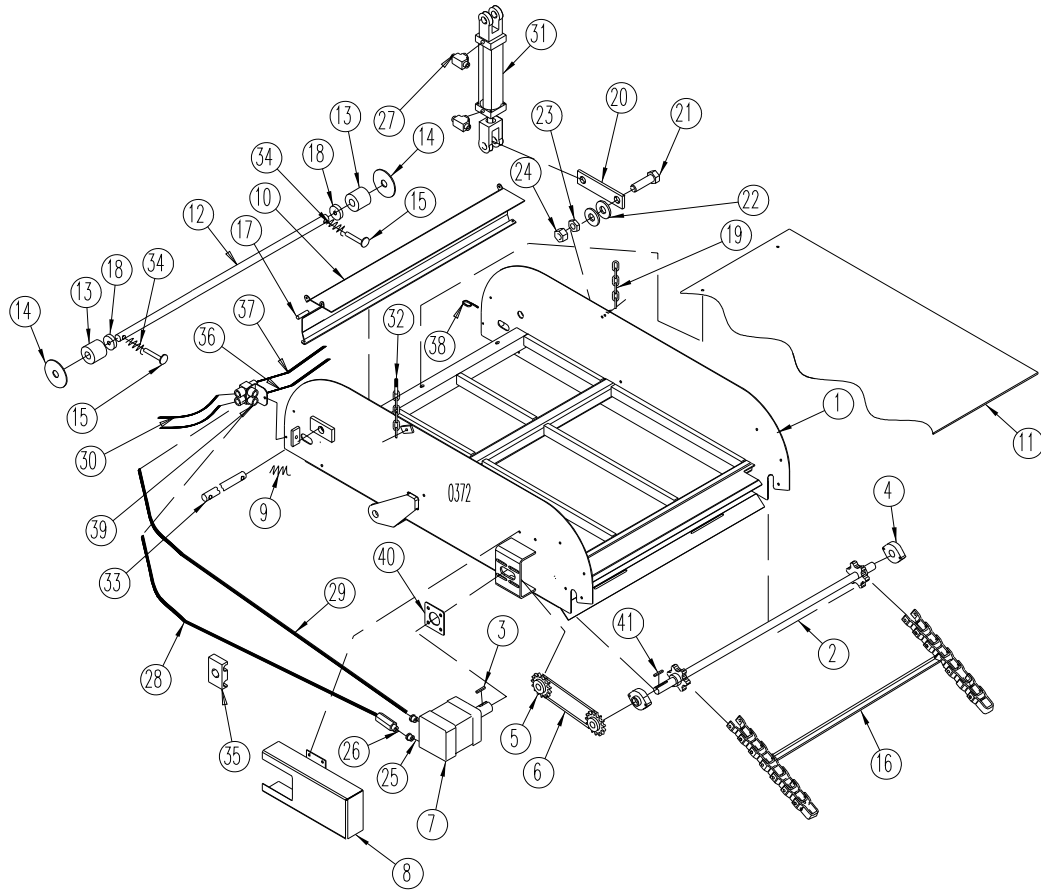
REF	PART NO	QTY	DESCRIPTION
	103-888	1	Complete Chute Assembly 3'
	103-757	1	Complete Chute Assembly 4'
	103-889	1	Complete Chute Assembly 5'
1	103-885	1	Chute Frame Weldment 3'
	103-827	1	Chute Frame Weldment 4'
	103-833	1	Chute Frame Weldment 5'
2	103-829	1	Drive Sprocket Weldment
3	171-883	1	Key; 1/4" x 1/4" x 1" Long
4	170-026	2	Bearing, Flange, 1"; Mtg Hrd: 5/16" x 1"B, LW, Nut (2EA)
5	134-389	2	Sprocket; 50-B 18 1" B. 1/4 KW
6	171-178	1	Chain, Roller 50-1-48P
7	171-666	1	Motor, Hyd., 12.0 Cu. In.; Mtg Hrd: 3/8" x 1" B, FW, LW (4EA)
8	141-204	1	Shield; Mtg Hrd: 5/16" x 3/4" B,FW,LW,Nut(2EA)
9	170-110	2	Spring, Extension
10	141-462	1	Rear Cover; Mtg Hrd: 5/16" x 1" Truss Head Bolt,LW,Nut (2EA)
11	141-461	1	Discharge Floor; Mtg Hrd: 1/4" x 3/4" B,FW,LW,Nut (3EA) 3'
	141-217	1	Discharge Floor; Mtg Hrd: 1/4" x 3/4" B,FW,LW,Nut (3EA) 4'
	141-413	1	Discharge Floor; Mtg Hrd: 1/4" x 3/4" B,FW,LW,Nut (3EA) 5'
12	141-215	1	Idler Shaft, 1" x 38 3/4"
13	141-216	2	Bushing; Plastic, 2 1/2" x 1" x 2 5/8"
14	141-220	2	Washer; Plastic, 1/8" x 4" x 1"
15	170-593	2	Bolt; 3/8" x 5 1/2" Full Thread
16	103-886	1	Apron Chain; Assy, 3'
	103-828	1	Apron Chain; Assy, 4'
	103-887	1	Apron Chain; Assy, 5'
	103-843	A/R	Chain; Assy, Repair, Slat
	171-288	A/R	Connector Link
	171-287	A/R	Offset Link

Chain and Slat Chute Parts - 5032, 5042 - S/N 184 and After 5055



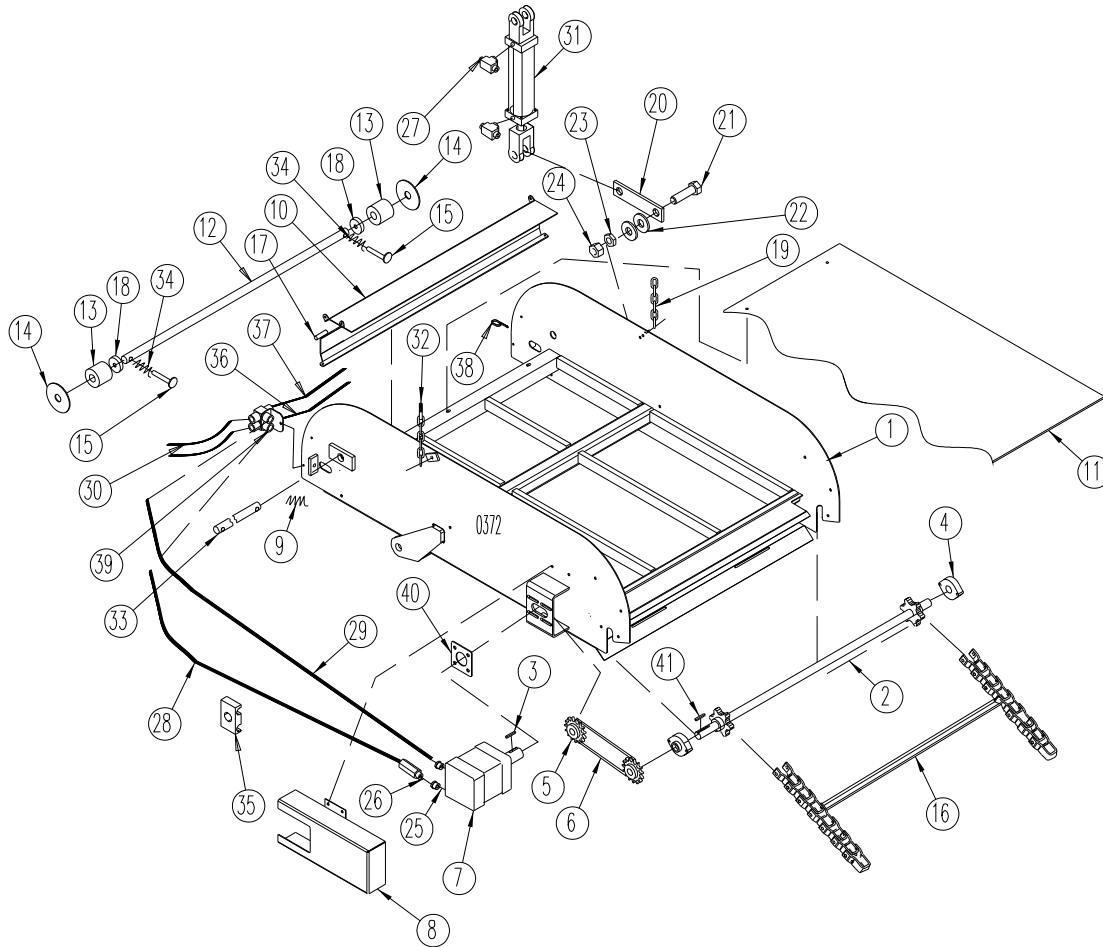
REF	PART NO	QTY	DESCRIPTION
17	103-890	1	Rear Cover; Mtg Hrd: 5/16" x 1" Truss Head Bolt,LW,Nut (4EA)
18	174-309	2	Lock Collar, Shaft
19	141-608	1	Chain; Coil 5/0-19 x 21 Link; Mtg. Hrd: 5/16" x 1" B, LW, Nut 5/16" x 1" Truss Head Bolt, FW, (3EA), Fln (1EA)
20	133-952	1	Cylinder Linkage
21	173-021	1	Bolt, 1" x 3 1/2" Hex Head
22	170-122	2	Spacer Washer; 1" SAE Flat
23	174-927	1	Nut, 1" Hex Jam
24	174-928	1	Nut, 1" Hex Lock
25	171-668	2	Adapter, Straight
26	171-151	1	Check Valve; 1/2" NPT
27	171-171	2	Adapter, Tee
28	172-239	1	Hydraulic Hose; 1/2" x 36 1/2" (3' & 4')
	171-595	1	Hydraulic Hose; 1/2" x 46 1/2" (5')
29	173-658	1	Hydraulic Hose; 1/2" x 56" (3' & 4')
29	171-154	1	Hydraulic Hose; 1/2" x 62" (5')
30	171-330	2	Hydraulic Hose; 1/2 x 168"
31	173-220	1	Cylinder, 2 DIA x 18", (Seal Kit#170-075) 173-274 Pin,172-275 Hairpin
32	103-918	1	Chute Restraint Chain Assy. Mtg. Hrd: 5/16" x 1" Truss Head Bolt, FW,LW, Nut, 3/8" FW, LN
33	136-444	1	Pivot Rod, 7/8" x 39 1/2"; Mtg Hrd:3/16" x 2" Cotter Pin (2EA)
34	170-238	2	Spring; Compression
35	170-235	1	Adapter; Str. 1/2" NPTM x 3/8" NPTF
36	173-483	1	Adapter, Straight, 3/8" X 3/8"
37	170-120	1	Key; 1/4" Woodruff #807
38	141-692	1	Adapter, Straight, 1/2" X 3/8" .094 restricted
39	171-937	2	Magnet; Mtg Hrd: 1/4 x 3/4 Truss Head Bolt, Lw, Nut (6ea)
40	104-230	1	Tip Off Assy. Mtg Hrd: 3/8 x 3/4 Bolt, Lw, Net (4ea)

Chain and Slat Chute Parts - 5042 -183 and Before



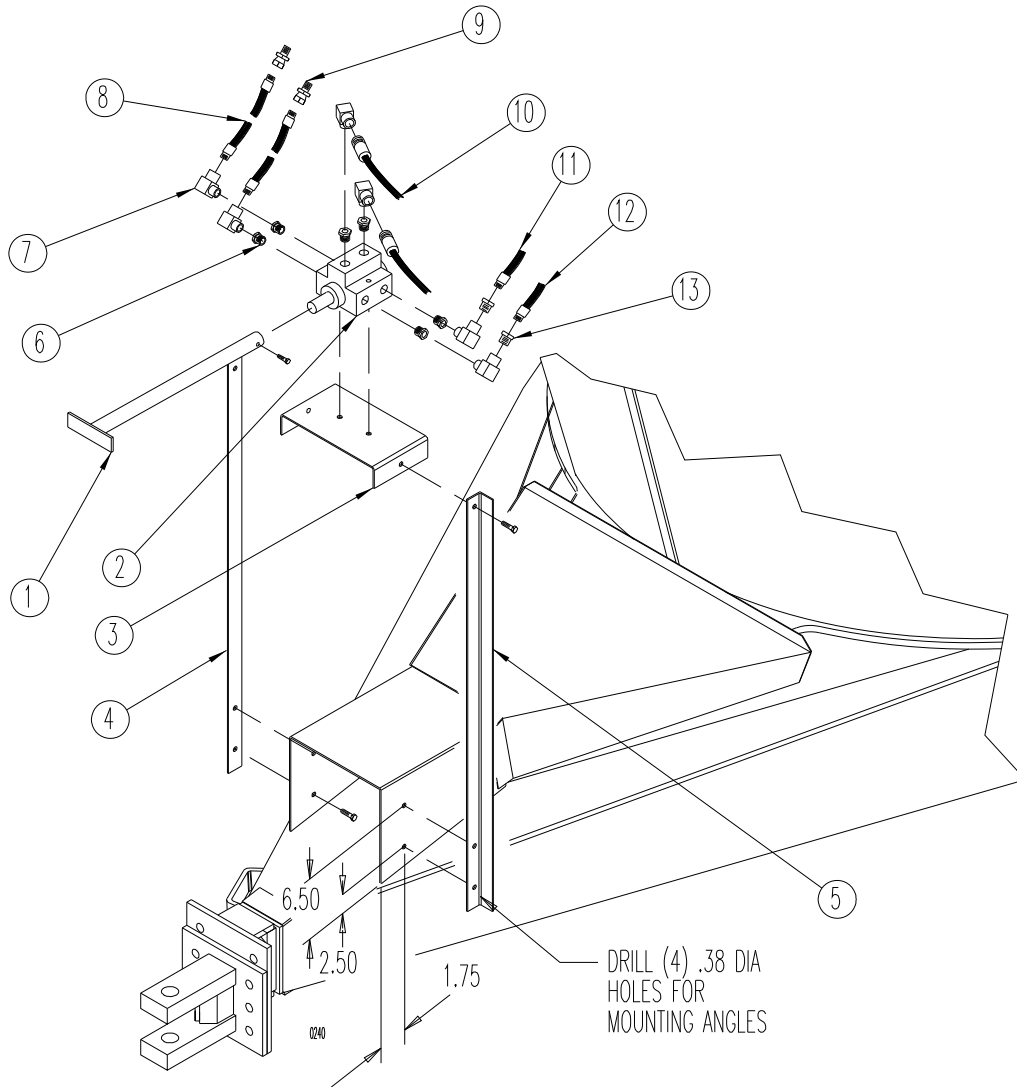
REF	PART NO	QTY	DESCRIPTION
	103-757	1	Complete Chute Assembly
1	103-827	1	Chute Frame Weldment
2	103-829	1	Drive Sprocket Weldment
3	171-883	1	Key; 1/4" x 1/4" x 1" Long
4	170-026	2	Bearing, Flange, 1"; Mtg Hrd: 5/16" x 1" B, LW, Nut (2EA)
5	134-389	2	Sprocket; 50-B-18 1" B. 1/4 K.W.
6	171-178	1	Chain, Roller 50-1-48P
7	171-666	1	Motor, Hyd., 12.0 Cu. In.; Mtg Hrd: 3/8" x 1 1/4" B (4EA)
8	141-204	1	Shield; Mtg Hrd: 5/16" x 3/4" B,FW,LW,Nut (2EA)
9	170-110	2	Spring, Extension
10	141-462	1	Rear Cover; Mtg Hrd: 5/16" x 1" Truss Head Bolt,LW,Nut (2EA)
11	141-217	1	Discharge Floor; Mtg Hrd: 1/4" x 3/4" B,FW,LW,Nut (3EA)
12	141-215	1	Idler Shaft, 1" x 38 3/4"
13	141-216	2	Bushing; Plastic, 2 1/2" x 1" x 2 5/8"
14	141-220	2	Washer; Plastic, 1/8 x 4" x 1"
15	170-593	2	Bolt, 3/8" x 5 1/2" Full Thread
16	103-828	1	Apron Chain, Assy, 66 Links CA- 620
	103-843	A/R	Chain, Assy, Repair
	171-288	A/R	Connector Link
	171-287	A/R	Offset Link
17	103-890	1	Rear Cover; Mtg Hrd: 5/16" x 1" Truss Head Bolt,LW,Nut (2EA)
18	130-394	2	Collar; Shaft, 1 3/4" x 1" x 5/8"
19	141-608	1	Chain; Coil 5/0-19 x 21 Link; Mtg. Hrd: 5/16" x 1" B, LW, Nut 5/16" x 1" Truss Head Bolt, FW, (3EA), Fln (1EA)
20	133-952	1	Cylinder Linkage

Chain and Slat Chute Parts - 5042 -183 and Before



REF	PART NO	QTY	DESCRIPTION
21	173-021	1	Bolt, 1" x 3 1/2" Hex Head
22	170-122	2	Spacer Washer; 1" SAE Flat
23	174-927	1	Nut, 1" Hex Jam
24	174-928	1	Nut, 1" Hex Lock
25	171-668	1	Adapter, Straight
26	171-151	1	Check Valve; 1/2" npt
27	171-030	2	Adapter, 3/4" x 90°, Elbow
28	171-194	1	Hydraulic Hose; 1/2" x 43"
29	171-195	1	Hydraulic Hose; 1/2" x 46 1/2"
30	171-330	2	Hydraulic Hose; 1/2" x 168"
31	173-220	1	Cylinder, 2" dia x 18", (Seal Kit#170-075) 173-274 Pin, 172-275 Hairpin
32	103-918	1	Chute Restraint Chain Assy. Mtg. Hrd: 5/16" x 1" Truss Head Bolt, FW,LW, Nut, 3/8" FW, LN
33	136-444	1	Pivot Rod; Mtg Hrd: 3/16" x 2" Cotter Pin (2EA)
34	170-238	2	Spring; Compression
35	174-771	1	Hose Holder; Mtg Hrd: 5/16" x 2" B,FW,LW,Nut
36	171-940	1	Hydraulic Hose; 1/4" x 64"
37	171-427	1	Hydraulic Hose; 1/4" x 82"
38	171-782	1	Hose Clamp; Mtg Hrd: 5/16" x 1" Truss Head Bolt,LW,Nut
39	103-875	1	Fitting Mount; Mtg Hrd: 5/16 x 3/4" Truss Head Bolt,LW,Nut
40	141-422	1	Spacer Plate
41	170-120	1	Key; 1/4" x 7/8", Woodruff # 807

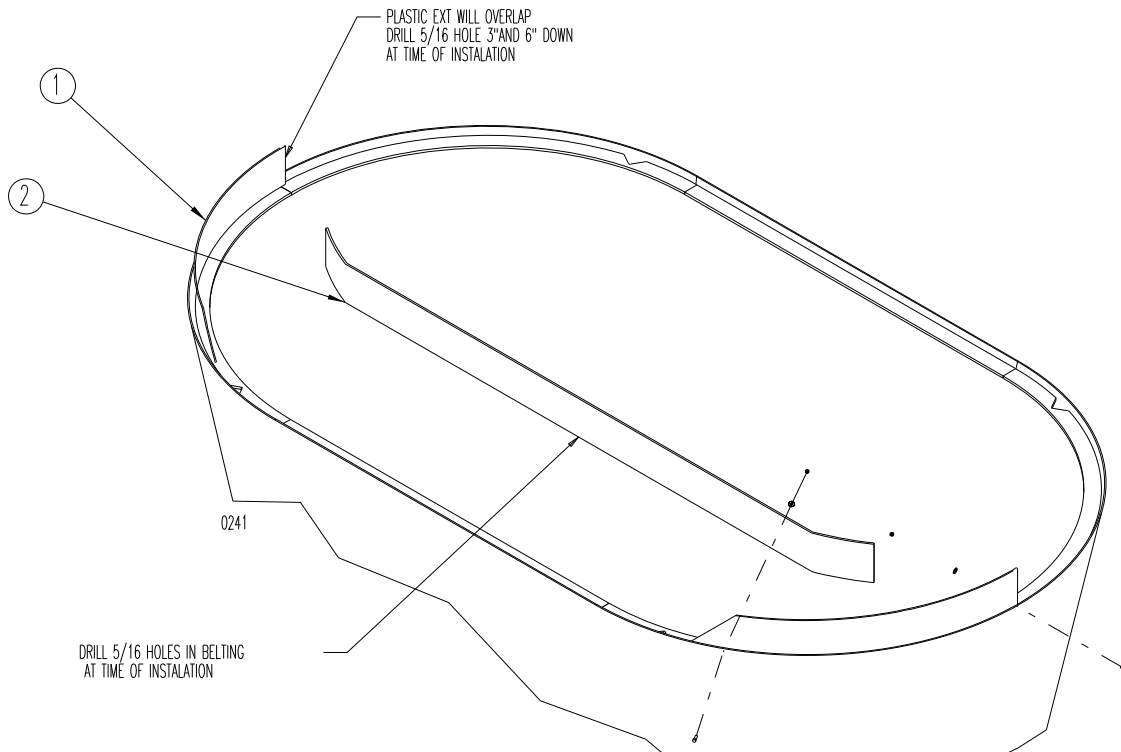
Selector Valve Option



REF	PART NO	QTY	DESCRIPTION
1	101-791	1	Control Handle; Mtg Hrd: 1/4" x 1-1/2" B, LN
2	101-891	1	Selector Valve Assy. (Seal Kit # 171-847) Mtg Hrd: 3/8" x 7/8" B, LW (2ea), Fw (4ea)
3	140-792	1	Valve Mount; Mtg Hrd: 3/8" x 7/8"B, LW, Nut (2EA)
4	140-790	1	Valve Support; Mtg Hrd: 3/8" x 7/8"B, LW, Nut (2EA)
5	140-791	1	Valve Support; Mtg Hrd: 3/8" x 7/8"B, LW, Nut (2EA)
6	171-430	6	Reducer; 3/4" to 1/2"
7	171-136	6	Elbow; Bushing, 1/2" - 90°
8	172-324	2	Hydraulic Hose; (to slide tray) 1/4" x 72" OAL (3/8" Ends)
	171-426	2	Hydraulic Hose; (to power chute) 1/2" x 93" OAL (1/2" Ends)
9	170-513	2	Swivel Connector; 1/2" straight
10	171-425	2	Hydraulic Hose; (to tractor) 1/2" x 70" OAL (1/2" Ends)
11	170-466	1	Hydraulic Hose; (to door) 1/4" x 138" OAL (3/8" Ends)
	171-428 ^A	1	Hydraulic Hose; (to door) 1/4" x 102" OAL (3/8" Ends)
12	173-488	1	Hydraulic Hose; (to door) 1/4" x 153" OAL (3/8" Ends)
	170-465 ^A	1	Hydraulic Hose; (to door) 1/4" x 127" OAL (3/8" Ends)
13	170-235	2	Reducer; Bushing, 1/2" to 3/8"

^A Used on Units, Serial numbers 5042-323 & 5055-87 and before

Side Extension and Hay Retention Options



REF	PART NO	QTY	DESCRIPTION
HAY RETENTION			
1	141-945 ^B	4	Plastic Side Retention; Mtg; Hrd; 5/16" x 1 1/2" B, 5/16 x 1 1/4" B(5EA),3/8" Heavy FW (6EA),FLN(6EA)
2	181-043	15'	Rubber Belting, 5032; 3/8" x 8", Mtg; Hrd: 5/16" x 1 1/4" B,(9EA), 3/8" FW(10EA), FLN(9EA) (7 1/2' per side)
	181-043	16'	Rubber Belting, 5042; 3/8" x 8", Mtg; Hrd: 5/16" x 1 1/4" B,(10EA), 3/8" FW(12EA), FLN(10EA) (8' per side)
	181-043	19'	Rubber Belting, 5055; 3/8" x 8", Mtg; Hrd: 5/16" x 1 1/4" B (12EA), 3/8" FW(14EA), FLN(12EA) (9 1/2' per side)
SIDE EXTENSION			
1	140-788 ^A	4	Plastic Side Extension, 5042; Mtg; Hrd; 5/16" x 1 1/2" B, 5/16 x 1 1/4" B(5EA),3/8" FW (7EA),FLN(6EA)
	140-789	4	Plastic Side Extension, 5055; Mtg; Hrd; 5/16" x 1 1/2" B, 5/16 x 1 1/4" B(5EA),3/8" FW (7EA),FLN(6EA)
2	181-043	20'	Rubber Belting, 5042; 3/8" x 8", Mtg; Hrd: 5/16" x 1 1/4" B,(10EA), 3/8" FW(12EA), FLN(10EA) (10' per side)
	181-043	23'	Rubber Belting, 5055; 3/8" x 8", Mtg; Hrd: 5/16" x 1 1/4" B (12EA), 3/8" FW(14EA), FLN(12EA) (11 1/2' per side)

^A Parts are interchangeable with Hay Retentions

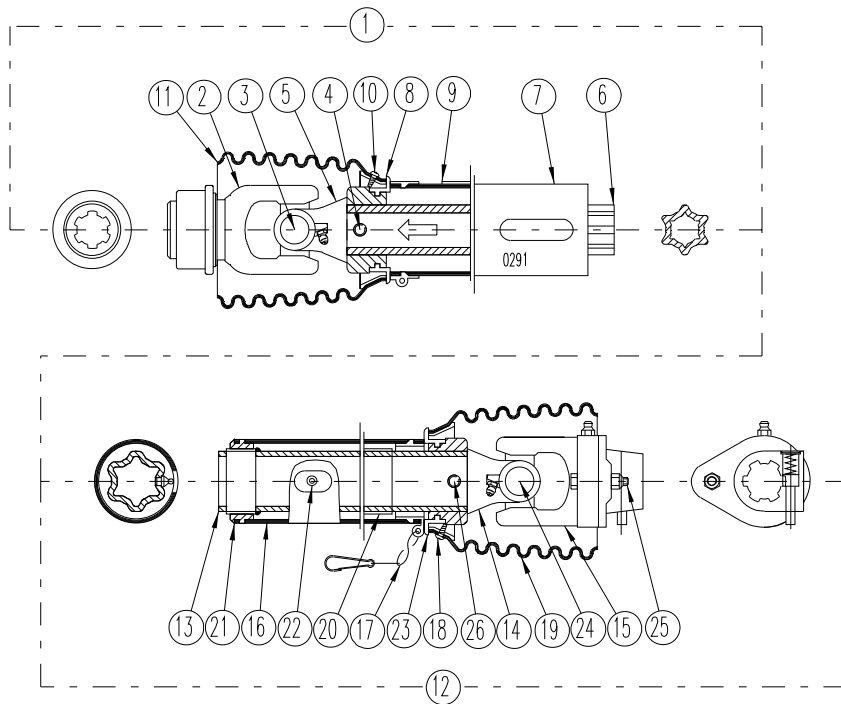
^B Parts are not interchangeable Side Extensions

Safety Chain for Towed Equipment

Part NO. 173-077

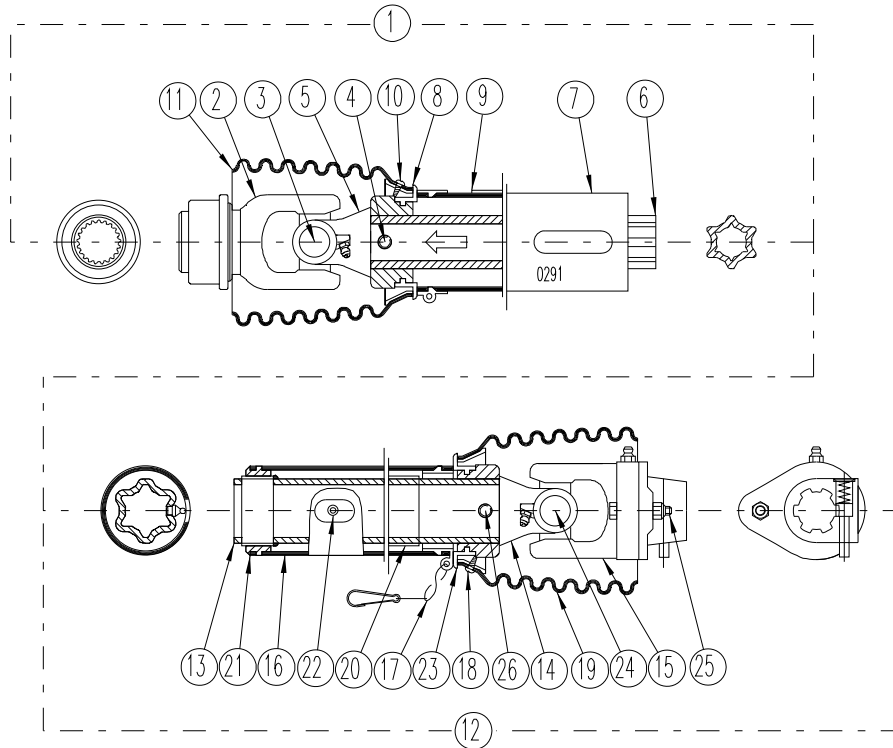
This chain is designed to retain the connection between towing and towed machines, in the event of separation of the primary attaching system. It should be utilized whenever the unit is on the highway.

PTO Driveline - 5032 and 5042 (540 RPM- 6 -Spline-1 3/8 Yoke)



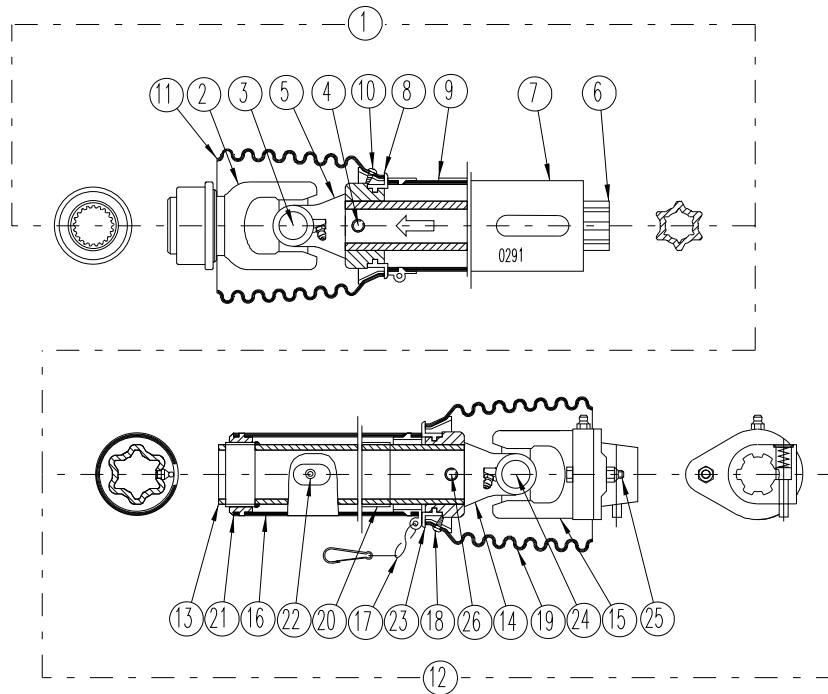
REF	PART NO	QTY	DESCRIPTION
	174-882		Complete PTO Assembly
1	174-999	1	Half Shaft
2	174-983	1	Yoke 1 3/8 - 6 Spline
	174-996	1	Collar Kit
3	174-909	1	Cross & Bearing Kit
4	174-994	1	Spring Pin 10 x 90
5	174-985	1	Inboard Yoke
6	174-986	1	Inner Profile
7	174-992	1	Outer Shield
8	171-979	1	Bearing Ring
9	171-550	1	Decal, Keep Away
10	172-210	1	Screw
11	174-991	1	Shield Cone 7 Rib
12	175-000	1	Half Shaft
13	174-988	1	Outer Profile & Sleeve
14	174-987	1	Inboard Yoke
15	174-990	1	Shearbolt Clutch
	174-995	1	QD Pin Kit
16	174-993	1	Inner Shield
17	172-040	1	Safety Chain
18	172-210	1	Screw
19	174-991	1	Shield Cone 7 Rib
20	171-799	1	Decal, Danger, Shield
21	172-207	1	Support Bearing
22	172-209	1	Zerk
23	171-979	1	Bearing Ring
24	174-909	1	Cross and Bearing Kit
25	170-257	1	Bolt, 3/8" x 2 1/2" NC Grd5
26	174-994	1	Spring Pin 10 x 90

PTO Driveline - 5055 (1000 RPM - 21 -Spline-1 3/8 Yoke)



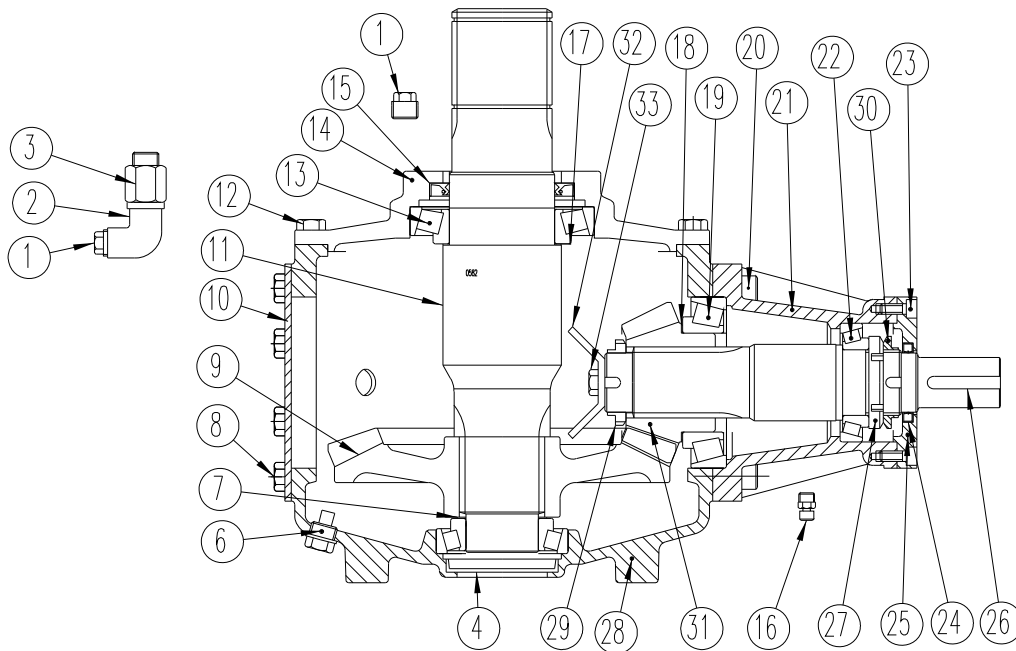
REF	PART NO	QTY	DESCRIPTION
	174-883		Complete PTO Assembly
1	175-001	1	Half Shaft
2	174-984	1	Yoke 1 3/8 - 21 Spline
	174-996	1	Collar Kit
3	174-909	1	Cross & Bearing Kit
4	174-994	1	Spring Pin 10 x 90
5	174-985	1	Inboard Yoke
6	174-986	1	Inner Profile
7	174-992	1	Outer Shield
8	171-979	1	Bearing Ring
9	171-550	1	Decal, Danger Keep Away
10	172-210	1	Screw
11	174-991	1	Shield Cone 7 Rib
12	175-002	1	Half Shaft
13	174-988	1	Outer Profile & Sleeve
14	174-987	1	Inboard Yoke
15	174-989	1	Shearbolt Clutch
	174-995	1	QD Pin Kit
16	174-993	1	Inner Shield
17	172-040	1	Safety Chain
18	172-210	1	Screw
19	174-991	1	Shield Cone 7 Rib
20	171-799	1	Decal, Danger Shield
21	172-207	1	Support Bearing
22	172-209	1	Zerk
23	171-979	1	Bearing Ring
24	174-909	1	Cross and Bearing Kit
25	170-369	1	Bolt, 5/16" x 2 1/2" NC Grd5
26	174-994	1	Spring Pin 10 x 90

PTO Driveline - 5055 (1000 RPM - 20 -Spline-1 3/4 Yoke)

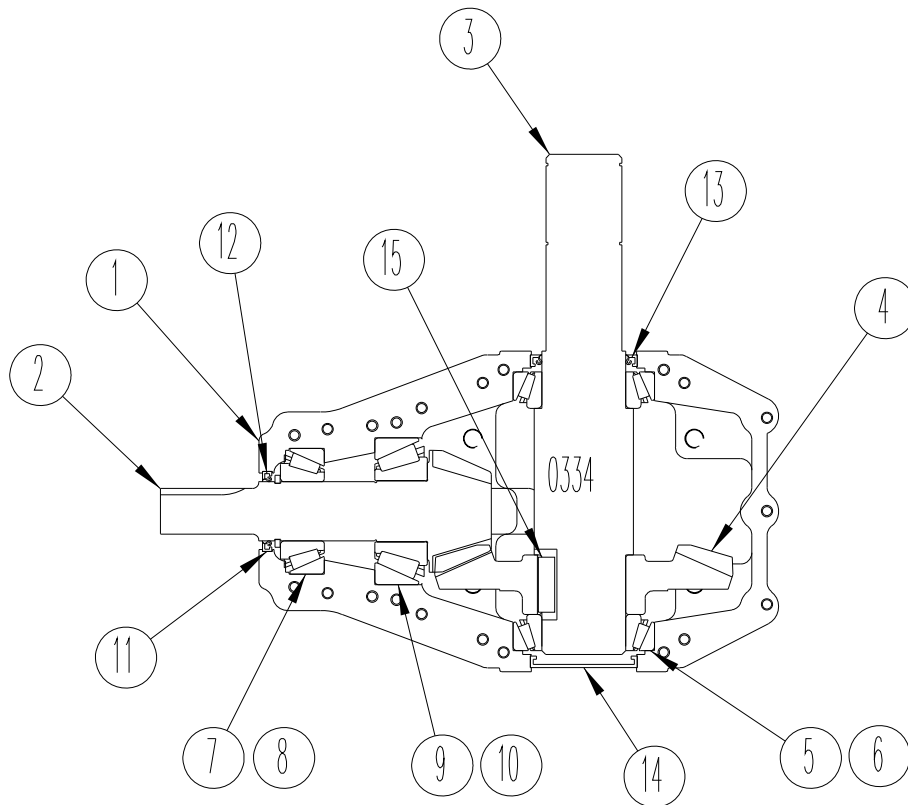


REF	PART NO	QTY	DESCRIPTION
	175-061		Complete PTO Assembly
1	175-060	1	Half Shaft
2	175-059	1	Yoke 1 3/4 - 20 Spline
	174-967	1	Collar Kit
3	174-909	1	Cross & Bearing Kit
4	174-994	1	Spring Pin 10 x 90
5	174-985	1	Inboard Yoke
6	174-986	1	Inner Profile
7	174-992	1	Outer Shield
8	171-979	1	Bearing Ring
9	171-550	1	Decal, Danger Keep Away
10	172-210	1	Screw
11	174-991	1	Shield Cone 7 Rib
12	175-002	1	Half Shaft
13	174-988	1	Outer Profile & Sleeve
14	174-987	1	Inboard Yoke
15	174-989	1	Shearbolt Clutch
	174-995	1	QD Pin Kit
16	174-993	1	Inner Shield
17	172-040	1	Safety Chain
18	172-210	1	Screw
19	174-991	1	Shield Cone 7 Rib
20	171-799	1	Decal, Danger Shield
21	172-207	1	Support Bearing
22	172-209	1	Zerk
23	171-979	1	Bearing Ring
24	174-909	1	Cross and Bearing Kit
25	170-369	1	Bolt, 5/16" x 2 1/2" NC Grd5
26	174-994	1	Spring Pin 10 x 90

GearBox Parts - 5042 5032, 5042 After Serial Number 324



REF	PART NO	QTY	DESCRIPTION
	175-118	1	Gearbox Assembly, 2.54:1
1	174-905	1	Oil Filler Plug, 1/2" Gas
2	175-018	1	Elbow 90°
3	175-019	1	Oil Plug Extension
4	175-179	1	Oil Plug, 10MM x 85MM
5	175-180	1	Bearing, 32211
6	174-904	1	Plug, 1/2" Gas
7	175-181	1	Shim, .95MM x 55.3MM x 61.7MM
8	171-566	8	Bolt,HEXHD, M12 x 25MM 8.8
9	175-182	1	Gear, Bevel 2.54:1
10	175-183	1	Gearcase, Cover, Rear
11	175-184	1	Shaft, Output
12	175-020	10	Bolt, HEXHD, M12 x 35MM 8.8
13	175-025	1	Bearing, 30216
14	175-185	1	Gearcase, Cover, Top
15	175-022	1	Seal,Double Lip, 80MM x 110MM x 10MM
16	175-186	1	Plug, Oil Drain, Magnetic, 1/2"
17	175-187	1	Shim, 1.0MM x 80.3MM x 89.7MM
18	175-188	1	Shim, 1.0MM x 75.2MM x 87.3MM
19	175-189	1	Bearing, 32215
20	175-190	8	Bolt, HEXHD, M12 x 40MM 12.9
21	175-191	1	Gearcase, Housing, Extension
22	175-192	1	Bearing,30210
23	175-193	4	Bolt,HEXHD, M8 x 20MM 8.8
24	175-194	1	Seal, Oil, 45MM x 60MM x 7MM
25	175-195	1	Gearcase, Cover,Front
26	175-196	1	Shaft, Input
27	175-197	1	Nut, Lock,M50 x 1.5MM
28	175-198	1	Gearcase, Housing
29	175-199	1	Nut,Lock, M45 x 1.5MM
30	175-200	1	Nut, M50 x 1.5MM
31	175-201	1	Gear, Pinion
34			

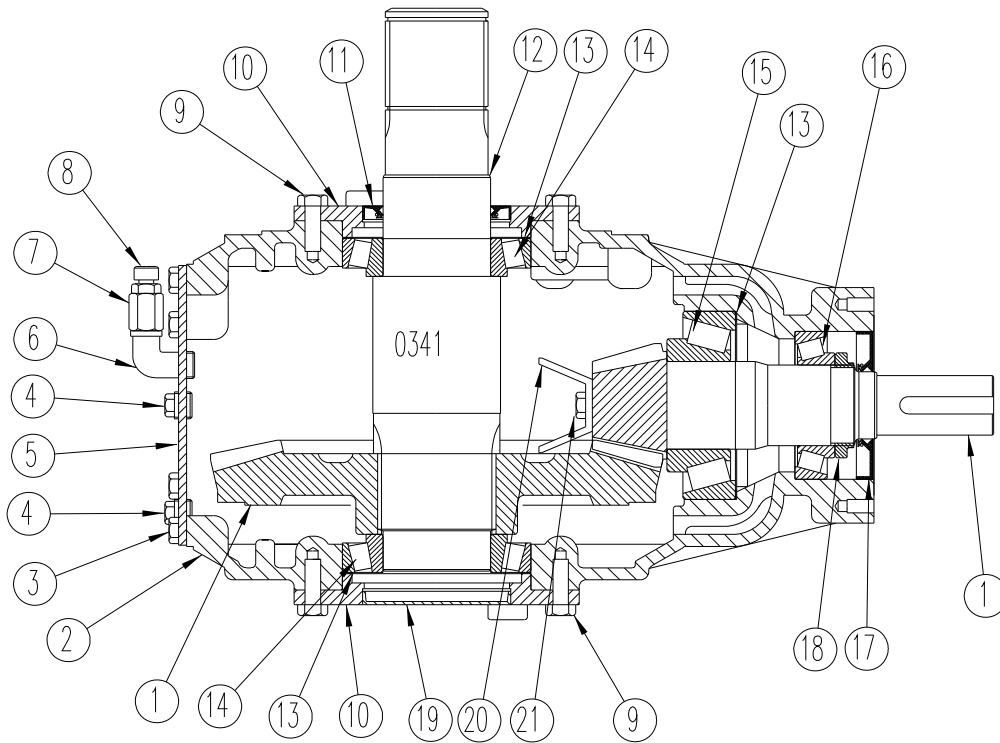
Gearbox Parts - 5042 Used on Units Before Serial Number (5042-325)

REF	PART NO	QTY	DESCRIPTION
	174-805 ^B	1	Gearbox Axxembly, 3:1
1	174-850	1	Casting Assembly
2	174-851 ^A	1	Shaft, Stub
3	174-852	1	Shaft, Cross
4	174-853	1	Gear, Bevel
5	172-361	2	Bearing, Cup, Timken # 33462
6	172-360	2	Bearing, Cone, Timken # 33275
7	174-854	1	Bearing, Cup, Timken # HM807010
8	174-855	1	Bearing Cone, Timken # HM07044
9	174-856	1	Bearing, Cone, Timken 5565
10	174-857	1	Bearing, Cup, Timken 5535
11	174-858	1	Retaining Ring, 1 15/16" Diameter
12	173-409	1	Seal, Lip, 2" x 2 5/8" x 5/16"
13	174-859	1	Seal, Lip, 2 3/4" x 3 1/2" x 3/8"
14	174-860	1	Cap, End
15	174-861	1	Key, SQ, 5/8" x 5/8" x 1 15/16"
16	173-153	21	3/8-16 x 2 1/4" SHCS (not shown)
17	173-152	5	Plug, 1/2"-14 NPT (not shown)
18	173-150	1	Bushing, 1/2" NPT To 1/8" NPT (not shown)
19	170-679	1	Plug, Vent 5PSI (not shown)

^A Splined Shaft No Longer Available Must Order Yoke Half 174-997 With Shaft.

^B Used on units 322 and before

Gearbox Parts - 5055



REF	PART NO	QTY	DESCRIPTION
	174-873	1	Gearbox, 4.25:1
1	175-014	1	Gear, Bevel,Pinion set
2	175-015	1	Casting
3	175-016	10	Bolt,HEXHD, M10 x 22MM 8.8
4	174-904	2	Plug, 1/2" Gas
5	175-017	1	Cover
6	175-018	1	Elbow 90°, 1/2" Gas
7	175-019	1	Oil Plug Extension, 1/2" Gas
8	174-905	1	Oil Filler Plug, 1/2" Gas
9	175-020	16	Bolt,HEXHD, M12 x 35MM 8.8
10	175-021	2	Cover
11	175-022	1	Seal, Lip, 80MM x 110MM x 10MM
12	175-023	1	Shaft
13	175-024	3	Shim, 125.5 x 139.5
14	175-025	2	Bearing, 30216
15	175-026	1	Bearing, 32313
16	175-027	1	Bearing, 32212
17	175-028	1	Seal,Oil, 50MM x 110MM x 12MM
18	175-029	1	Nut, M60 x 2MM
19	175-030	1	Cap, 110MM x 10MM
20	175-031	1	Gearcase,Oil Slinger
21	175-032	1	Bolt,HEXHD, M10 x 25MM 8.8

Decal and Paint List

The following decals are listed below for your convenience.
Use the operator's manual for decal location and part number ordering.

PART NO	QTY	DESCRIPTION
175-223	1	Complete Decal Set (5032)
174-778	1	Complete Decal Set (5042)
174-912	1	Complete Decal Set (5055)
170-849	2	WARNING, Stay Clear Of Power Driven Parts
171-712	1	Retighten Setscrews...
171-820	2	DANGER, Rotating Auger Inside
171-911	1	CAUTION, Operating Precautions
171-913	1	WARNING, Do Not Operate Unless Shields Are In Place
171-947	2	DANGER, Do Not Hand Load
174-686	5	Red Reflector
174-687	3	Amber Reflector
172-786	1	DANGER, Keep Away, Rotating Driveline
172-820	1	CAUTION, Lifting Instructions
173-040	1	CAUTION, PTO Operation
173-078	1	DANGER, Shield Missing
170-893	1	SMV
172-810	1	Patent Pending
174-792	1	Notice: Upon Initial Use...
173-041	1	Shearbolt Adjustment
173-044	1	Made in Wisconsin
173-448	8'	Black Stripe
174-808	1	Door Gauge
174-514	2	Kuhn Knight
174-799	2	Verti-Maxx
170-490	1	Reduce Engine RPM...
175-225	2	5032
174-785	2	5042
174-913	2	5055
171-599	1	CAUTION, Do Not Exceed 540 RPM...
171-609	1	CAUTION, Do Not Exceed 1000 RPM...
171-844	1	NOTICE, Check Oil
174-872	1	Spindle Weigh bar
174-924	1	Lift Points Inside
175-151	1	NOTICE, Failure to use Kuhn Knight knives...
175-156	1	Important Auger

Power Chute and Slide tray Decals:

171-914	2	WARNING, Stay Clear of Chute...
174-687	1	Amber Reflector
174-686	1	Red Reflector

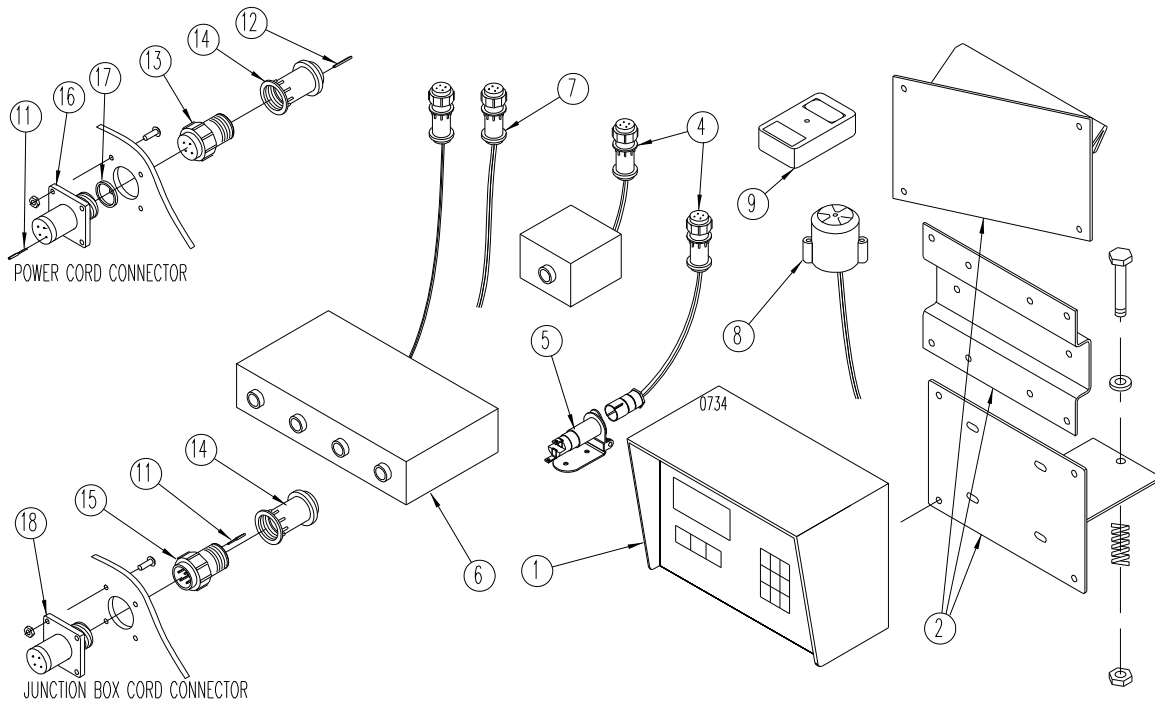
PTO Driveline Decals:

171-550	1	DANGER - Rotating Driveline
171-799	1	DANGER - Shield Missing
171-599	1	Do Not Exceed 540 RPM (540 RPM units only)
171-609	1	Do Not Exceed 1000 RPM (1000 RPM units only)

Paint:

170-366	Kuhn Knight Yellow - Aerosol Can
170-812	Kuhn Knight Yellow - Quart Can
170-813	Kuhn Knight Yellow - Gallon Can

Scale Parts



REF PART NO QTY DESCRIPTION

REF	PART NO	QTY	DESCRIPTION
1	172-128	1	Digi-Star Model EZ-2000 Basic Indicator, 1" high display
	172-800	1	Digi-Star Model EZ-2000V Indicator, 1.7" high display
	172-130	1	Digi-Star Model EZ-3200 Indicator, 1" high display
	174-501	1	Digi-Star Model EZ-3200 Indicator (serial port), 1" high display
	175-209	1	Digi-Star Model EZ-3200 Indicator (with rev counter and serial port), 1" high display
	172-500	1	Digi-Star Model EZ-3200V Indicator, 1.7" high display
	174-502	1	Digi-Star Model EZ-3200V Indicator (with serial port), 1.7" high display
	175-210	1	Digi-Star Model EZ-3200V Indicator (with rev counter and serial port), 1.7" high display
	175-211	1	Digi-Star Model EZ-3500 Indicator (with rev counter and serial port), 1" high display
	175-212	1	Digi-Star Model EZ-3500V Indicator (with rev counter and serial port), 1.7" high display
	172-803	1	Digi-Star RD 2000 Remote, 1" high display w/ 25' Cord
	172-801	1	Digi-Star RD 2000V Remote, 1.7" high display w/ 25' Cord
	172-804	1	Digi-Star RD 2000 T/R Remote, 1" high display w/ Transmitter & 25' Cord
	172-802	1	Digi-Star RD 2000V T/R Remote, 1.7" high display w/ Transmitter & 25' Cord
			Mtg Hrd for Digi-Star indicators: 1/4" x 3/4" Bolt, Flat washer, Lock washer & N (2 ea)
	173-225	1	Weigh-Tronix Model 615 Basic Indicator, 1" high display
	173-226	1	Weigh-Tronix Model 615XL Basic Indicator, 2" high display
	173-227	1	Weigh-Tronix Model 715 Indicator, 1" high display
	174-503	1	Weigh-Tronix Model 715 Indicator (serial port), 1" high display
	175-574	1	Weigh-Tronix Model 1040 Indicator, 1.1 high display (serial and remote ports)
	175-575	1	Weigh-Tronix Model 1040 Indicator, 2" high display (speed sensor & dual serial ports)
	175-576	1	Weigh-Tronix Model 1040 Indicator, (serial & remote ports) 2" high display
	175-577	1	Weigh-Tronix Model 1040 Indicator (speed sensor & dual serial ports), 1.1 high display
	175-045	1	Weigh-Tronix Model 2015 Indicator (with serial port), 1" high display
	174-505	1	Weigh-Tronix 712 Remote, 1" high display w/ 30' Cord
	174-506	1	Weigh-Tronix 712XL Remote, 2" high display w/ 30' Cord
	174-507	1	Weigh-Tronix 1012 Remote, 1" high display w/ 30' Cord
	175-074	1	Weigh-Tronix 1012XL Remote, 2" high display w/ 30' Cord
	175-578	1	Weigh-Tronix RD64 Remote, 1.1" high display w/ 30' Cord
	175-579	1	Weigh-Tronix RD64XL Remote, 2" high display w/ 30' Cord
	175-595	1	Weigh-Tronix RD125RF Wireless Remote, 1" high display w/ power cord

Scale Parts

REF	PART NO	QTY	DESCRIPTION
2	101-835	1	Indicator Mount Mtg Hrd: Spring (170-238) 3/8" x 2" Bolt, Flat washer & Lock nut
	134-409	1	Remote indicator mount, Mtg Hrd: 5/16" x 3/4" Bolt, Lock washer, Nut (2 ea)
	102-772	1	Angled remote indicator mount, Mtg Hrd: 5/16" x 3/4" Bolt, Lock washer, Nut (2 ea)
3	175-051	1	Digi-Star RD1000 remote mirror mount (not shown)
	175-052	1	Mirror mount for Digi-Star above (not shown)
	175-046	1	Weigh-Tronix 1012M remote mirror mount (not shown)
	175-582	1	Weigh-Tronix RD64M remote mirror mount (not shown)
	175-583	1	Mirror mount for Weigh-Tronix above (not shown)
	175-569	1	Digi-Star RD1000 Wireless remote, 1" high display w/ power cord (not shown)
	175-048	1	Digi-Star RF900 transceiver for above
	175-049	1	Replacement cable for RF900 transceiver (not shown)
	175-050	2	Magnet mount for above transceiver (not shown)
4	172-183	1	Power cord assy, stationary application or unit with revolution counter
	172-354	1	Power cord assy, trailer and truck application with out rev counter
	172-136	1	Power supply 120 VAC input, 4-6 AMP 13.8 VDC
5	170-415	1	Plug, tractor mount
6	103-052	1	Junction Box W/15' cable; #10 x 1" Sheet metal screw (2 ea)
	173-156	1	15' Replacement junction box cable
	172-166	1	10' Junction box extension cable (not shown)
	172-165	1	30' Junction box extension cable (not shown)
7	174-719	1	Digi-Star Remote indicator cord (not shown)
	174-003	1	Digi-Star dual remote cable (not shown)
8	101-917	1	Digi-Star Alarm horn assembly Mtg Hrd: #6 x 3/4" Bolt, Lock washer, Nut (2 ea)
	101-918	1	Weigh-Tronix Alarm horn assembly Mtg Hrd: #6 x 3/4" Bolt, Lock washer, Nut (2 ea)
9	172-143	1	Digi-Star D-22A hand held transmitter (Installed Receiver is Required)
	174-926	1	Digi-Star DXT-21 hand held transmitter (Installed Receiver is Required)
	172-350	1	Weigh-tronix hand held transmitter (Installed Receiver is Required)
10	175-626	1	Weigh-Tronix printer (not shown)
	175-627	1	Weigh-Tronix printer data cord (not shown)
	175-628	1	Weigh-Tronix printer paper 1 roll (not shown)
	174-000	1	Digi-Star printer (not shown)
	174-002	1	Digi-Star printer power cord (not shown)
	174-001	1	Digi-Star printer data cord (not shown)
	174-004	1	Digi-Star printer paper 1 roll (not shown)
11	173-211	4	Contact pin
12	173-212	4	Contact socket
	173-216	1	Pin extraction tool (not shown)
13	173-213	1	Power cord connector
	174-923	1	Nut, connector
14	173-214	1	Strain relief
15	173-215	1	Junction box cord connector
	174-923	1	Nut, connector
16	173-217	1	Power connector chassis
17	173-218	1	Seal for power connector chassis
18	173-219	1	Load cell connector chassis
19	171-158	1	Battery box (not shown)
20	171-380	2	Battery terminals (not shown)
21	171-936	1	Battery hold-down strap (not shown)
22	132-988	1	16 Ga. Ground (not shown)
23	172-386	1	Precision calibrator for scale indicators (not shown)
24	171-960	1	Cord splice kit (not shown)

Refer to subframe or undercarriage mounting section for weigh bars or load cells for your specific application.

Hardware Part Number Listing

All fasteners are NC thread, Grade 5 unless otherwise specified.

HEX HEAD BOLTS

Size	Part No	1/2 x 1-1/2	170-002	3/4 x 7 UNF	173-747
1/4 x 1/2	173-279	1/2 x 1-1/2 (Grade 8)	172-951	3/4 x 7-1/2	175-004
1/4 x 3/4	170-803	1/2 x 1-3/4	171-774	3/4 x 8	173-509
1/4 x 7/8	171-094	1/2 x 2	171-802	7/8 x 2-1/4	172-892
1/4 x 1	170-310	1/2 x 2-1/4	172-387	7/8 x 3	172-002
1/4 x 1-1/2	170-068	1/2 x 2-1/2	170-885	7/8 x 3-1/2	173-020
1/4 x 2	172-986	1/2 x 2-1/2 (Full thread)	171-099	7/8 x 4	173-299
1/4 x 2 (Grade 8)	175-073	1/2 x 2-3/4	172-007	7/8 x 4 UNF	171-092
1/4 x 2-3/4	171-203	1/2 x 3	170-168	7/8 x 6-1/2	173-774
1/4 x 3	171-403	1/2 x 3-1/2	170-167	7/8 x 7	173-749
1/4 x 3-1/2	173-640	1/2 x 3-1/2 (Grade 8)	172-950	7/8 x 7 UNF	174-097
1/4 x 4	173-505	1/2 x 4	173-111	7/8 x 8	173-750
5/16 x 5/8	170-532	1/2 x 4 (Full thread)	171-509	7/8 x 8 UNF	173-515
5/16 x 3/4	170-262	1/2 x 5	171-412	1 x 3-1/2	173-021
5/16 x 3/4 (Stainless steel)	174-787	1/2 x 6	173-506	1 x 4	175-119
5/16 x 7/8	170-256	1/2 x 6 (Grade 8)	174-944	1 x 4 (Grade 8)	175-248
5/16 x 1	170-027	1/2 x 6-1/2	173-711	1 x 7 UNF	173-516
5/16 x 1-1/4 (Full thread)	170-188	1/2 x 7	174-328	1 x 8	174-723
5/16 x 1-1/2	170-372	1/2 x 7-1/2	175-107	1 x 8 (grade 8) UNF	173-713
5/16 x 1-3/4	170-263	1/2 x 8-1/2	170-504	1-1/4 x 4-1/2 (grade 8)	175-003
5/16 x 2	172-987	1/2 x 11	170-506	M8 x 16MM (Grade 8.8)	174-610
5/16 x 2-1/2	170-369	9/16 x 1	173-699	M8 x 20MM (Grade 8.8)	175-193
5/16 x 3	170-295	9/16 x 1-1/4	173-700	M8 x 25MM (Grade 8.8)	174-900
5/16 x 3-1/4	171-639	9/16 x 1-1/2	173-701	M10 x 22MM (Grade 8.8)	175-016
5/16 x 3-1/2	173-748	9/16 x 2	172-219	M10 x 25MM (Grade 8.8)	173-344
5/16 x 4	170-293	5/8 x 1	171-087	M12 x 25MM (Grade 8.8)	171-566
5/16 x 4-1/2	170-294	5/8 x 1-1/4	171-366	M12 x 35MM (Grade 8.8)	175-020
5/16 x 5 (Grade 8)	172-983	5/8 x 1-1/2	170-153	M12 x 40MM (Grade 12.9)	175-190
5/16 x 5-1/2 (Grade 8)	172-952	5/8 x 1-3/4 (Full thread)	170-030	M12 x 45MM (Grade 10.9)	174-911
3/8 x 3/4	170-439	5/8 x 2	170-009	M14 x 30MM (Grade 8.8)	173-518
3/8 x 3/4 (Stainless steel)	174-788	5/8 x 2 (Full thread)	171-772	SELF TAPPING SCREW	
3/8 x 7/8	170-268	5/8 x 2-1/4	173-009	1/4 x 3/4	174-874
3/8 x 7/8 (soc. hd.capscrew)	172-044	5/8 x 2-1/2	172-381	CARRIAGE BOLTS	
3/8 x 1	170-054	5/8 x 2-1/2 (Full thread)	170-129	1/4 x 1-1/4 (Grade 2)	170-311
3/8 x 1-1/4	170-005	5/8 x 2-3/4	172-356	1/4 x 1-1/2 (Grade 2)	170-355
3/8 x 1-1/4 (Stainless steel)	174-917	5/8 x 3	170-258	1/4 x 2 (Grade 2)	170-299
3/8 x 1-1/2	170-368	5/8 x 3-1/2	170-038	1/4 x 2-1/2 (Grade 2)	171-394
3/8 x 1-3/4	172-383	5/8 x 4	170-371	1/4 x 2-3/4 (Grade 2)	170-508
3/8 x 2	170-245	5/8 x 4-1/2	170-067	1/4 x 3	170-509
3/8 x 2-1/4	170-320	5/8 x 5	170-065	5/16 x 1 (Grade 2)	170-370
3/8 x 2-1/2	170-257	5/8 x 5-1/2	172-421	5/16 x 1-1/2 (Grade 2)	170-296
3/8 x 2-1/2 (Full thread)	170-128	5/8 x 6	170-381	5/16 x 2-1/2 (Grade 2)	171-395
3/8 x 2-1/2 (Lag)	171-775	5/8 x 6-1/2	173-777	5/16 x 5-1/2 (Grade 2)	170-494
3/8 x 3	170-380	5/8 x 7-1/2	173-019	3/8 x 3-1/2 (Grade 2)	171-283
3/8 x 3-1/2	170-292	5/8 x 9-1/2	171-039	3/8 x 4-1/2 (Grade 2)	170-191
3/8 x 4	170-877	3/4 x 1-1/2	173-507	3/8 x 5 (Grade 2)	170-495
3/8 x 4-1/4 (Black oxide)	171-813	3/4 x 2	171-768	3/8 x 6-1/2 (Grade 2)	171-174
3/8 x 4-1/2	170-519	3/4 x 2 (Full thread)	170-058	3/8 x 8 (Grade 2)	170-297
3/8 x 5	170-493	3/4 x 2 (Grade 8)	171-877	3/8 x 13 (Grade 2)	170-298
3/8 x 5-1/2	174-196	3/4 x 2-1/4	171-275	3/8 x 13-1/2 (Grade 2)	170-300
3/8 x 5-1/2 (Full thread)	170-593	3/4 x 2-1/2	170-374	1/2 x 1-1/2 (Grade 5)	174-918
3/8 x 6	174-304	3/4 x 2-1/2 (Grade 8)	175-055	1/2 x 6-1/2 (Grade 2)	171-098
3/8 x 6-1/2	171-291	3/4 x 3	170-014	1/2 x 9 (Grade 2)	171-255
3/8 x 7	172-587	3/4 x 3 UNF	173-776	5/8 x 2	175-110
7/16 x 3/4	170-265	3/4 x 3-1/2	170-195	5/8 x 2-1/2 (Grade 5)	174-790
7/16 x 1	170-032	3/4 x 3-1/2 (Grade 8)	171-899	PLOW BOLTS	
7/16 x 1-1/4	170-354	3/4 x 4	170-419	5/8 x 2	174-767
7/16 x 1-1/4 (Grade 8)	174-216	3/4 x 4 (Grade 8) UNF	173-579	3/4 x 2-1/2	174-948
7/16 x 1-1/2	170-059	3/4 x 4-1/2	170-846	TRUSS HEAD BOLTS	
7/16 x 2	170-356	3/4 x 4-1/2 (Grade 8)	173-039	#6-32 x 3/4	172-416
7/16 x 2-1/2	170-379	3/4 x 4-1/2 (Grade 8) UNF	173-588	#6-32 x 1	173-079
7/16 x 3	170-270	3/4 x 5	173-508	#8-32 x 1-1/2	171-210
7/16 x 5-1/2	170-377	3/4 x 5 UNF	173-510	#10-32 x 3/4	171-604
7/16 x 6	170-378	3/4 x 5-1/2 (Grade 8) UNF	173-514	#10-32 x 1	172-882
1/2 x 3/4	171-252	3/4 x 6	171-116	1/4 x 3/4	170-193
1/2 x 1	170-149	3/4 x 6 UNF	173-511	1/4 x 1	170-194
1/2 x 1-1/4	170-373	3/4 x 6 (Grade 8)	173-231	5/16 x 1	170-117
		3/4 x 7	173-745		

Hardware Part Number Listing

SET SCREWS (Socket Head)(Cup Point)	3/4 (Grade 8) UNF	173-578	COTTER PINS
1/4 x 1/4	7/8	173-069	1/16 x 1/2
1/4 x 5/8	7/8 UNF	171-093	3/32 x 3/4
5/16 x 1/4	1	174-928	1/8 x 1
5/16 x 5/16	1 UNF	170-527	1/8 x 1-1/4
5/16 x 5/16 UNF	M45 x 1.5MM	175-199	1/8 x 1-1/2
5/16 x 3/8 UNF	M50 x 1.5MM	175-197	5/32 x 1
5/16 x 1/2	JAM NUTS		5/32 x 1-1/2
5/16 x 5/8 UNF	1/4UNF	171-386	5/32 x 3
5/16 x 1 (Sq hd)	5/16	173-521	3/16 x 1-1/4
5/16 x 1-1/2	3/8	170-022	3/16 x 2
3/8 x 1/4	7/16	170-046	1/4 x 1-1/2
3/8 x 3/8	1/2	170-036	1/4 x 2
3/8 x 1/2	5/8	170-037	1/4 x 2-1/2
3/8 x 1/2 UNF	3/4	170-035	ROLLER CHAIN
3/8 x 3/4	1	174-927	CONNECTOR LINKS
3/8 x 3/4 (Sq hd)	FLAT WASHERS		#50
3/8 x 1	#10	171-525	#50-2R
3/8 x 1 (Sq hd)	1/4	170-301	#60
3/8 x 1 (Sq hd) (Dog pt)	1/4 Heavy	171-083	#60-2R
7/16 x 7/16	1/4 Fender	173-672	#60H
7/16 x 1 (Sq hd)	5/16	170-127	#80
1/2 x 5/8	5/16 Fender	173-811	#80H
1/2 x 1	3/8	170-244	#100
1/2 x 1-1/4 (half dog point)	3/8 Heavy	170-302	#100H
5/8 x 5/8	3/8 Aluminum	173-900	#120
3/4 x 3/4 (Sq hd) (Dog pt)	7/16	170-138	#140
HEX NUTS	1/2	170-040	#140H
#6-32	1/2 (Grade 8)	172-984	#160
#10-32	9/16	173-693	OFFSET LINKS
1/4	5/8	170-066	#50
5/16	5/8 (Grade 8)	173-581	#50-2R
3/8	3/4	170-015	#60
7/16	7/8	173-298	#60-2R
7/16 (Grade 8) UNF	7/8 Heavy	170-131	#60H
1/2	1	170-122	#80
9/16	1-1/4	170-928	#80H
5/8	LOCK WASHERS		#100
3/4	#6	172-417	#100H
3/4 UNF	#10	171-605	#120
3/4 (Grade 8) UNF	1/4	170-124	#140
7/8	5/16	170-118	#140H
1	3/8	170-006	#160
1 UNF	7/16	170-061	ROLLER LINKS
1 (Grade 8)	1/2	170-003	#50
1 (Grade 8) UNF	9/16	173-692	#60
1-1/8 UNF	5/8	170-010	#80
1-1/4 UNF	3/4	170-016	#80H
1-1/4 (Grade 8)	3/4 External Tooth	174-793	#100
M8 x 1.25MM	7/8	172-003	#100H
M30 x 1.5MM	1	171-021	#120
M50 x 1.5MM	1-1/4	175-005	#140
LOCK NUTS	ZERKS		#160
#6-32	1/8 NPT	170-865	
#10-32	1/8 NPT-45 Deg	170-864	
1/4	1/8 NPT-65 Deg	170-215	
5/16	1/8 NPT-90 Deg	170-866	
3/8	3/16 drive in	174-124	
7/16	1/4-28	170-023	
1/2	1/4-28 - 45 Deg	170-148	
1/2 UNF	1/4-28 - 90 Deg	170-049	
1/2 (Grade 8)	1/4 NPT	170-277	
9/16	1/4 NPT - 45 Deg	174-130	
5/8			
3/4			
3/4 (Grade 8)			

Part Number Index

101-227 ... 22	103-887 ... 25	140-955 ... 9	141-671 ... 11
101-231 ... 22	103-888 ... 25	140-960 ... 4	141-673 ... 16
101-736 ... 24	103-889 ... 25	141-001 ... 4	141-684 ... 16
101-741 ... 4	103-890 ... 26, 27	141-006 ... 9	141-692 ... 26
101-791 ... 29	103-907 ... 4	141-013 ... 18	141-872 ... 11
101-835 ... 39	103-918 ... 24, 26, 28	141-014 ... 17, 18	141-945 ... 30
101-891 ... 29	103-928 ... 19	141-015 ... 18	141-955 ... 16
101-917 ... 39	103-933 ... 16	141-016 ... 16, 17, 18	142-827 ...
101-918 ... 39	103-934 ... 12	141-019 ... 16, 17, 18	15, 16, 17, 18
102-437 ... 4	103-935 ... 12	141-020 ... 15, 17, 18	170-019 ... 9
102-439 ... 4	103-936 ... 11	141-029 ... 9, 10	170-023 ... 7, 8
102-772 ... 39	104-019 ... 12	141-035 ... 4	170-026 ... 25, 27
103-052 ... 39	104-020 ... 12	141-063 ...	170-052 ... 9, 10
103-666 ... 15	104-022 ... 12	15, 16, 17, 18	170-056 ... 6, 7
103-669 ... 15	104-230 ... 26	141-114 ...	170-073 ... 19
103-670 ... 15	130-394 ... 27	15, 16, 17, 18	170-075 ...
103-672 ... 10	132-988 ... 39	141-115 ... 12, 14	20, 24, 26, 28
103-673 ... 20	133-943 ... 24	141-116 ... 12, 14	170-110 ... 25, 27
103-674 ... 4	133-952 ... 22, 26, 27	141-117 ... 16, 17, 18	170-120 ... 26, 28
103-678 ... 4	134-389 ... 25, 27	141-127 ... 11, 13	170-122 ... 22, 26, 28
103-679 ... 15	134-395 ... 22	141-130 ... 10	170-125 ... 5
103-697 ... 13, 15	134-409 ... 39	141-131 ... 9	170-152 ... 10
103-699 ... 15	135-692 ... 13, 15	141-134 ...	170-233 ... 20
103-703 ... 22	136-442 ... 4	15, 16, 17, 18	170-235 ...
103-704 ... 24	136-444 ... 21, 26, 28	141-135 ... 10	19, 21, 26, 29
103-705 ... 24	136-454 ... 4	141-136 ... 9, 10	170-238 ... 26, 28, 39
103-706 ... 22	140-579 ... 15	141-185 ... 14	170-244 ... 11, 13
103-731 ... 21	140-593 ... 15	141-204 ... 25, 27	170-257 ... 31
103-755 ... 22	140-611 ... 4	141-215 ... 25, 27	170-366 ... 37
103-756 ... 24	140-618 ... 13, 15	141-216 ... 25, 27	170-369 ... 32, 33
103-757 ... 25, 27	140-626 ... 20	141-217 ... 25, 27	170-415 ... 39
103-758 ... 22	140-646 ...	141-220 ... 25, 27	170-465 ... 29
103-772 ... 10	15, 16, 17, 18	141-284 ... 10	170-466 ... 21, 29
103-774 ... 13	140-647 ... 4	141-285 ... 9	170-471 ... 20
103-775 ... 14	140-648 ... 4	141-288 ... 10	170-490 ... 37
103-776 ... 14	140-649 ... 10	141-380 ... 16, 17, 18	170-493 ... 10
103-777 ... 20	140-664 ... 15	141-406 ... 16, 17, 18	170-504 ... 10
103-779 ... 4	140-722 ... 13, 15	141-413 ... 25	170-509 ... 5
103-780 ... 22	140-746 ... 24	141-415 ... 15	170-513 ... 29
103-781 ... 22	140-780 ... 4	141-416 ... 15	170-593 ... 25, 27
103-785 ... 17	140-781 ... 9, 10	141-422 ... 28	170-679 ... 35
103-786 ... 18	140-786 ... 10	141-423 ... 19	170-812 ... 37
103-787 ... 20	140-787 ... 24	141-461 ... 25	170-813 ... 37
103-827 ... 25, 27	140-788 ... 30	141-462 ... 25, 27	170-849 ... 37
103-828 ... 25, 27	140-789 ... 30	141-465 ... 9, 10	170-865 ... 11, 13
103-829 ... 25, 27	140-790 ... 29	141-466 ... 10	170-893 ... 37
103-833 ... 25	140-791 ... 29	141-546 ... 17	170-919 ... 7
103-836 ... 4	140-792 ... 29	141-549 ... 9	170-920 ...
103-838 ... 15	140-806 ... 19	141-594 ... 11	7, 8, 16, 17, 18
103-843 ... 25, 27	140-824 ... 21	141-608 ... 24, 26, 27	170-921 ... 7
103-858 ... 12, 14	140-897 ... 24	141-616 ... 19	170-922 ... 7
103-875 ... 28	140-902 ... 22	141-621 ... 4	170-926 ... 7
103-885 ... 25	140-933 ... 24	141-636 ... 10	170-927 ... 7
103-886 ... 25	140-938 ... 24	141-666 ... 11	170-928 ... 7

Part Number Index

171-030 ...	171-826 ... 6	172-802 ... 38	
19, 20, 21, 24, 28	171-827 ... 6	172-803 ... 38	173-653 ... 20
171-136 ... 24, 29	171-828 ... 6	172-804 ... 38	173-658 ... 26
171-151 ... 26, 28	171-829 ... 6	172-810 ... 37	173-916 ... 7, 8
171-154 ... 26	171-830 ... 6	172-820 ... 37	173-917 ... 7, 8
171-158 ... 39	171-832 ... 6	172-822 ... 13, 15	173-926 ... 7, 8
171-171 ... 26	171-833 ... 6	172-913 ... 11, 13, 15	173274 ... 24
171-176 ... 19	171-844 ... 37	172-999 ... 8	174-000 ... 39
171-178 ... 25, 27	171-883 ... 25, 27	173-001 ... 8	174-001 ... 39
171-186 ... 24	171-911 ... 37	173-002 ... 7, 8	174-002 ... 39
171-193 ... 24	171-913 ... 37	173-007 ... 8	174-003 ... 39
171-194 ... 28	171-914 ... 37	173-008 ... 7, 8	174-004 ... 39
171-195 ... 28	171-919 ... 4	173-021 ... 22, 26, 28	174-309 ... 26
171-202 ... 20	171-934 ... 9	173-031 ... 8	174-501 ... 38
171-259 ... 22	171-935 ... 12, 14, 15	173-032 ... 8	174-502 ... 38
171-260 ... 22	171-936 ... 39	173-040 ... 37	174-503 ... 38
171-265 ... 22	171-937 ... 21, 26	173-041 ... 37	174-505 ... 38
171-287 ... 25, 27	171-940 ... 24, 28	173-044 ... 37	174-506 ... 38
171-288 ... 25, 27	171-947 ... 37	173-078 ... 37	174-507 ... 38
171-309 ... 21	171-960 ... 39	173-150 ... 35	174-514 ... 37
171-330 ... 24, 26, 28	171-968 ... 10	173-152 ... 35	174-577 ... 7, 8
171-380 ... 39	171-979 ... 31, 32, 33	173-153 ... 35	174-673 ... 5
171-414 ... 22	171-989 ... 12, 14, 15	173-156 ... 39	174-674 ... 5
171-425 ... 29	172-024 ... 11, 13	173-170 ... 7, 8	174-675 ... 5
171-426 ... 29	172-040 ... 31, 32, 33	173-171 ... 7, 8	174-686 ... 37
171-427 ... 24, 28	172-046 ... 10	173-172 ... 7, 8	174-687 ... 37
171-428 ... 29	172-110 ... 5	173-173 ... 7, 8	174-719 ... 39
171-430 ... 29	172-128 ... 38	173-174 ... 7, 8	174-724 ... 5
171-464 ... 20	172-130 ... 38	173-211 ... 39	174-725 ... 5
171-550 ... 31, 32, 33, 37	172-136 ... 39	173-212 ... 39	174-745 ... 8
171-566 ... 34	172-143 ... 39	173-213 ... 39	174-754 ... 7
171-585 ... 9, 10	172-165 ... 39	173-214 ... 39	174-755 ... 8
171-595 ... 26	172-166 ... 39	173-215 ... 39	174-756 ... 8
171-599 ... 37	172-183 ... 39	173-216 ... 39	174-757 ... 8
171-609 ... 37	172-193 ... 9, 10	173-217 ... 39	174-758 ... 7
171-610 ... 5	172-207 ... 31, 32, 33	173-218 ... 39	174-759 ... 8
171-611 ... 5	172-209 ... 31, 32, 33	173-219 ... 39	174-762 ... 11, 13
171-612 ... 5	172-210 ... 31, 32, 33	173-220 ... 24, 26, 28	174-763 ... 4
171-613 ... 5	172-239 ... 26	173-225 ... 38	174-765 ... 4
171-614 ... 5	172-275 ... 24, 26, 28	173-226 ... 38	174-769 ...
171-615 ... 4	172-313 ... 8	173-227 ... 38	12, 14, 15
171-616 ... 7, 8	172-324 ... 29	173-270 ... 21	174-771 ...
171-653 ... 7, 8	172-350 ... 39	173-274 ... 26, 28	19, 20, 28
171-666 ... 25, 27	172-354 ... 39	173-300 ... 7, 8	174-772 ... 19, 20
171-668 ... 26, 28	172-360 ... 7, 35	173-301 ... 7, 8	174-775 ... 5
171-712 ... 37	172-361 ... 7, 35	173-391 ... 24	174-777 ...
171-782 ... 28	172-367 ... 9	173-409 ... 35	12, 14, 15
171-799 ... 31, 32, 33, 37	172-368 ... 9	173-448 ... 37	174-778 ... 37
171-814 ... 5	172-386 ... 39	173-483 ... 20, 26	174-784 ...
171-815 ... 6	172-396 ... 7	173-488 ... 29	8, 11, 13, 15
171-820 ... 37	172-500 ... 38	173-493 ... 19	174-785 ... 37
171-823 ... 6	172-786 ... 37	173-520 ... 15	174-792 ... 37
171-824 ... 6	172-800 ... 38	173-567 ... 19	174-793 ...
171-825 ... 6	172-801 ... 38	173-583 ... 11	15, 16, 17, 18

Part Number Index

174-799 ... 37	174-995 ... 31, 32, 33	175-191 ... 34
174-804 ... 8	174-996 ... 31, 32	175-192 ... 34
174-805 ... 10, 35	174-998 ... 10	175-193 ... 34
174-807 ... 13, 15	174-999 ... 31	175-194 ... 34
174-808 ... 37	175-000 ... 31	175-195 ... 34
174-809 ... 10	175-001 ... 32	175-196 ... 34
174-822 ... 20	175-002 ... 32, 33	175-197 ... 34
174-843 ... 20	175-014 ... 36	175-198 ... 34
174-850 ... 35	175-015 ... 36	175-199 ... 34
174-851 ... 35	175-016 ... 36	175-200 ... 34
174-852 ... 35	175-017 ... 36	175-201 ... 34
174-853 ... 35	175-018 ... 34, 36	175-209 ... 38
174-854 ... 35	175-019 ... 34, 36	175-210 ... 38
174-855 ... 35	175-020 ... 34, 36	175-211 ... 38
174-856 ... 35	175-021 ... 36	175-212 ... 38
174-857 ... 35	175-022 ... 34, 36	175-222 ... 6
174-858 ... 35	175-023 ... 36	175-223 ... 37
174-859 ... 35	175-024 ... 36	175-224 ... 6
174-860 ... 35	175-025 ... 34, 36	175-225 ... 37
174-861 ... 35	175-026 ... 36	175-237 ... 6
174-872 ... 37	175-027 ... 36	175-238 ... 6
174-873 ... 9, 36	175-028 ... 36	175-259 ... 6
174-882 ... 31	175-029 ... 36	175-260 ... 6
174-883 ... 32	175-030 ... 36	175-261 ... 6
174-884 ... 9, 10	175-031 ... 36	175-270 ... 6
174-885 ... 10	175-032 ... 36	175-331 ... 7, 8
174-904 ... 34, 36	175-045 ... 38	175-332 ... 7, 8
174-905 ... 34, 36	175-046 ... 39	175-333 ... 7, 8
174-906 ... 9	175-048 ... 39	175-334 ... 7, 8
174-908 ... 9, 10	175-049 ... 39	175-335 ... 7, 8
174-909 ... 9, 10, 31, 32, 33	175-050 ... 39	175-336 ... 7, 8
174-910 ... 9	175-051 ... 39	175-344 ... 11, 13
174-912 ... 37	175-052 ... 39	175-569 ... 39
174-913 ... 37	175-059 ... 33	175-574 ... 38
174-923 ... 39	175-060 ... 33	175-575 ... 38
174-924 ... 37	175-061 ... 33	175-576 ... 38
174-925 ... 9, 10	175-062 ... 24	175-577 ... 38
174-926 ... 39	175-074 ... 38	175-578 ... 38
174-927 ... 22, 26, 28	175-118 ... 9, 34	175-579 ... 38
174-928 ... 22, 26, 28	175-126 ... 7	175-582 ... 39
174-967 ... 33	175-151 ... 37	175-583 ... 39
174-983 ... 31	175-156 ... 37	175-595 ... 38
174-984 ... 32	175-179 ... 34	175-626 ... 39
174-985 ... 31, 32, 33	175-180 ... 34	175-627 ... 39
174-986 ... 31, 32, 33	175-181 ... 34	175-628 ... 39
174-987 ... 31, 32, 33	175-182 ... 34	175-853 ... 13
174-988 ... 31, 32, 33	175-183 ... 34	180-768 ... 11, 12, 13
174-989 ... 32, 33	175-184 ... 34	181-036 ... 13, 15
174-990 ... 31	175-185 ... 34	181-043 ... 30
174-991 ... 31, 32, 33	175-186 ... 34	181-048 ... 14
174-992 ... 31, 32, 33	175-187 ... 34	
174-993 ... 31, 32, 33	175-188 ... 34	
174-994 ... 31, 32, 33	175-189 ... 34	
	175-190 ... 34	