



***KNIGHT***

**TRAILER PARTS MANUAL  
FOR VERTICAL MIXER  
MODEL 5060**

**Table of Contents**

Abbreviations .....	2
Using This Service Parts Listing .....	3
Body Parts .....	4
Jack Parts .....	4
Wheel and Hub Parts .....	5
Pinion Gear Drive Parts .....	6
Auger and Tower Assembly Parts .....	7
Door and Cylinder Parts .....	8
Slide Tray Option .....	9
3 Auger Discharge Parts .....	10
Chain and Slat Chute Option .....	13
Selector Valve Option .....	16
Side Extension Parts .....	17
Light Kit .....	17
PTO Driveline (1000 RPM - 21 - Spline - 3/8 Yoke) .....	18
PTO Driveline (1000 RPM - 20 - Spline - 1 3/4 Yoke) .....	19
Gearbox Parts (Superior) .....	20
Gearbox Parts (Comer) .....	21
Scale Parts .....	22
Scale Connector and Repair Parts (Digi-Star & Weightronics) .....	24
Decal and Paint List .....	25
Hardware Part Number Listing .....	26
Part Number Index .....	28

Catalog Part Number 005871      Unit Serial Number \_\_\_\_\_

Operator Instruction Manual for this unit: 005870

**Abbreviations**

Assy .....	Assembly
A/R .....	As Required
B .....	Bolt
Brg .....	Bearing
BSN .....	Before Serial Number
Btm .....	Bottom
C-Bolt .....	Carriage Bolt
Cttr .....	Cotter
CV .....	Constant Velocity
Deg .....	Degree
Dia .....	Diameter
ea .....	Each
eq or Equiv .....	Equivalent
Fln .....	Flanged Lock Nut
Fw .....	Flat Washer
Ga .....	Gauge
Gr or Grd .....	Grade
Hd .....	Head
Hyd .....	Hydraulic
ID .....	Inside Diameter
Ill or Illus .....	Illustration
Ind .....	Indicator
Kw .....	Keyway
LH .....	Left Hand
Ln .....	Lock Nut
Lw .....	Lock Washer
Mtg Hrd .....	Mounting Hardware
NC .....	National Coarse
NF .....	National Fine
NPT .....	National Pipe Thread
OD .....	Outside Diameter
Pc(s) .....	Piece(s)
PD .....	Pitch Diameter
PTO .....	Power Takeoff (shaft)
Q or Qty .....	Quantity
Reg Mach .....	Regular Machine
RH .....	Right Hand
SN .....	Serial Number
Spk, or Spkt or Sprkt .....	Sprocket
Sq .....	Square
SS .....	Stainless Steel
SSB .....	Stainless Steel Bolt
St .....	Straight
Std .....	Standard
STS .....	Self Tapping Screw
UASN .....	Used After Serial Number
UBSN .....	Used Before Serial Number
W .....	With
W/O .....	With Out

## Using This Service Parts Listing

This listing uses a number indentation system to specify the parts of an assembly. Any number which is indented to the right, indicates that it is a component of the item to the upper left. Example:

<u>Part no</u>	<u>Qty</u>	<u>Description</u>
102-AAA	#	Assembly A
102-BBB	#	Sub-Assembly B
(Component of A)		
140-xxx	#	Sub-Component of B
140-xxx	#	Sub-Component of B
102-CCC	#	Sub-Assembly C
(Component of A)		
etc.		

Using this system, the subassemblies and their components are included if an **Assembly** is ordered. Similarly, the components of a subassemblies are included if a subassembly is ordered.

The quantity (Qty) associated with an assembly, represents the number of times an assembly could be shown in the drawing. The subassembly quantity however, is the number of times a subassembly is used to build one assembly. Similarly, the component quantity refers to the number of times a given component is found in one subassembly.

MODEL AND SERIAL NUMBER INFORMATION is located near the front left hand corner (Fig. A). The model number, serial number and part number should be known when asking service personnel for parts.

If you cannot find the part you need, be as descriptive as possible when placing an order:

**Sprockets:** give the bore size, number of teeth, and size of keyway.

**Roller chain:** give the size of chain (stamped on the side of each link) and number of links.

**Shafting:** give the diameter, length, and quantity and size of keyways.

Hardware is generally not included with parts. If you need any hardware, check the size, the length, and the grade (Fig. B), then check the hardware list in this manual for the part numbers.

**All hex head bolts are grade 5, and nuts are grade B unless otherwise stated.**

The hardware listing also includes listings for zerks, cotter pins, set screws, and roller chain links.

**The illustrations in this manual are meant to be used only as a guide for identifying parts and locating their relative positions.**

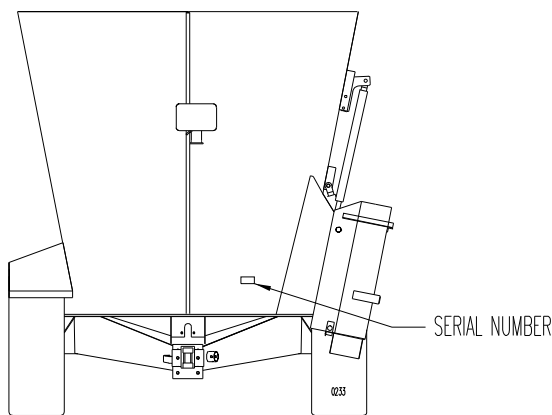
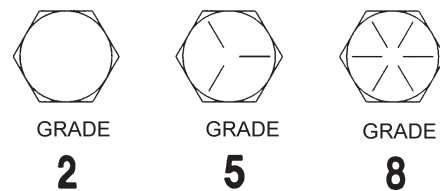
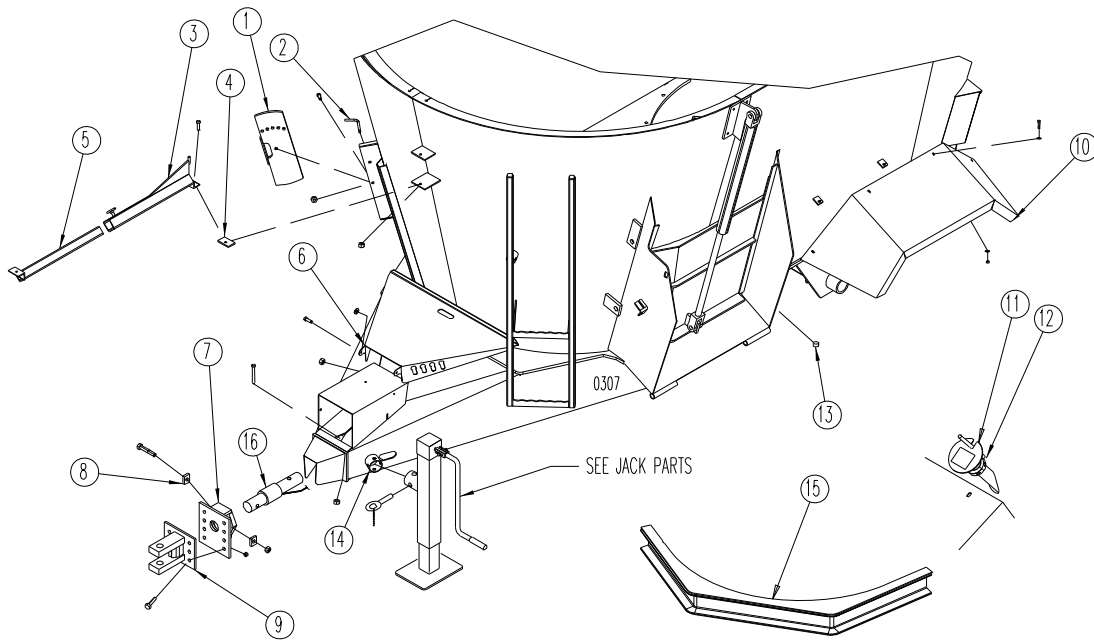


Figure A

## BOLT GRADES



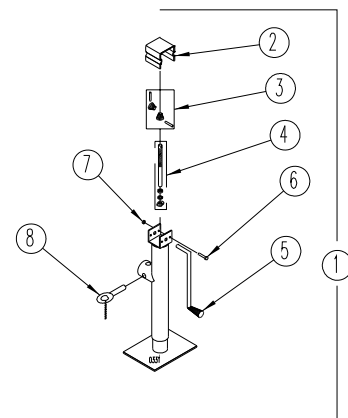
**Body Parts**



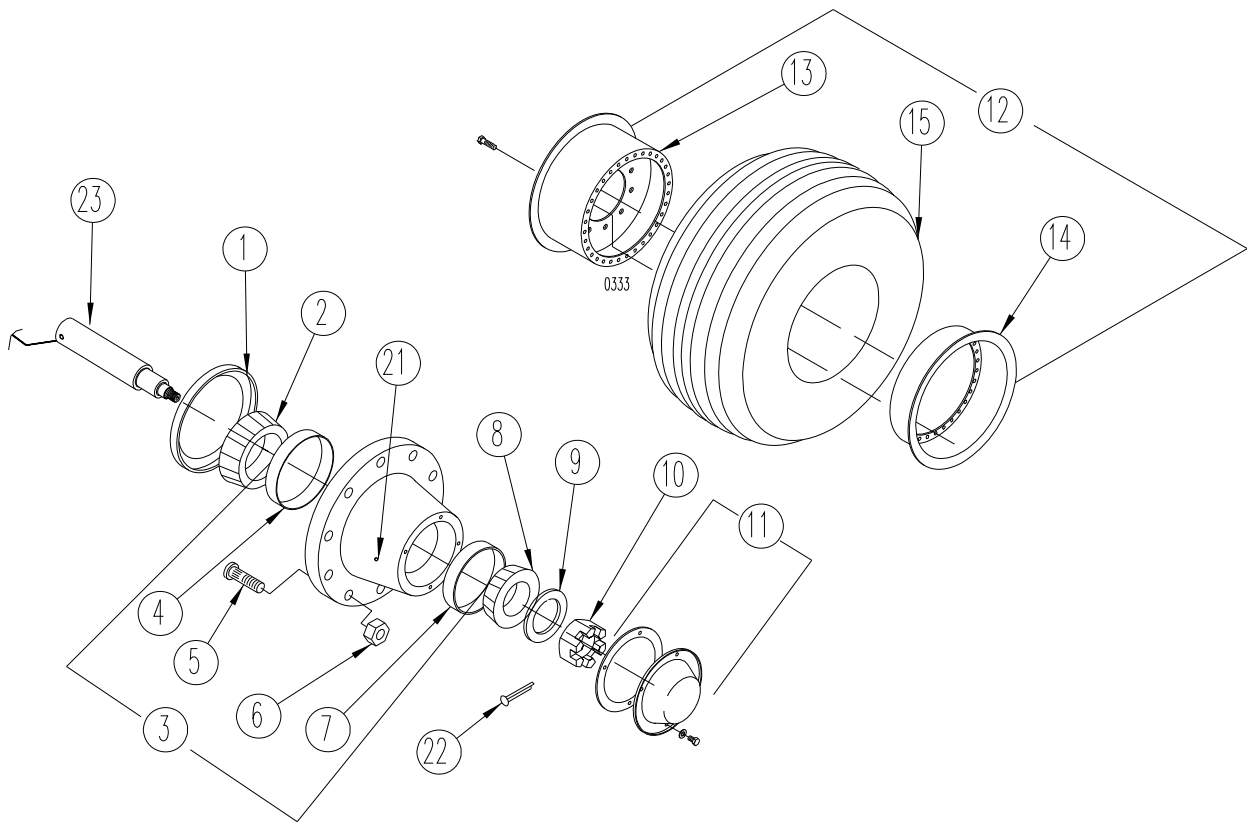
REF	PART NO	QTY	DESCRIPTION
1	103-678	2	Hay Stop; Mtg. Hrd: 1/2" x 1 3/4"B, LN (1EA)
2	174-765	2	Bent Hitch Pin, 1/2" dia x 2 1/2" (includes clip)
3	102-437	1	Swing Arm, Outer; Mtg. Hrd: 1/2" x 1 1/2"B, LN, Includes T-bolt
4	136-454	1	Spacer Pad
5	102-439	1	Swing Arm, Inner
6	140-648	1	Shield, Drive; Mtg. Hrd: 5/16" x 1"B, Belleville Washer, FLN(2EA)
7	103-674	1	Clevis Mount; Mtg. Hrd: 3/4" x 4 1/2" GRD-8 B, LN
8	140-611	2	Clevis, Retainer
9	102-307	1	Clevis; Mtg. Hrd: 3/4" x 2"B, LN (4EA)
10	140-647	2	Fender, Mtg Hrd : 5/16" x 1 1/4" B, 3/8" Heavy W, LW, 5/16" FW, Nut, (4EA)
11	103-763	1	Dipstick Assembly
12	103-764	1	Dipstick Guide
13	171-919	2	1-1/4" Drain plug
14	171-615	1	Jack mount tube (weld on)
15	103-907	1	Bumper Adapter (weld on)
16	174-763	1	Weigh Bar, Hitch 2-1/2"; Mtg Hrd: 3/4" x 4-1/2" Grade 8 Bolt, Ln

**Jack Parts**

REF	PART NO	QTY	DESCRIPTION
1	171-610	1	Jack, Sidewind 7000lb
2	171-814	1	Cover
3	171-614	1	Gear Kit (2 bevel gears, 2 pins)
4	171-611	1	Screw, Nut, Bearing & Washer Assy
5	171-612	1	Crank Assembly
6	170-509	2	Carriage Bolt; 1/4" x 3"
7	170-125	2	Nut, 1/4"
8	171-613	1	Pull Pin

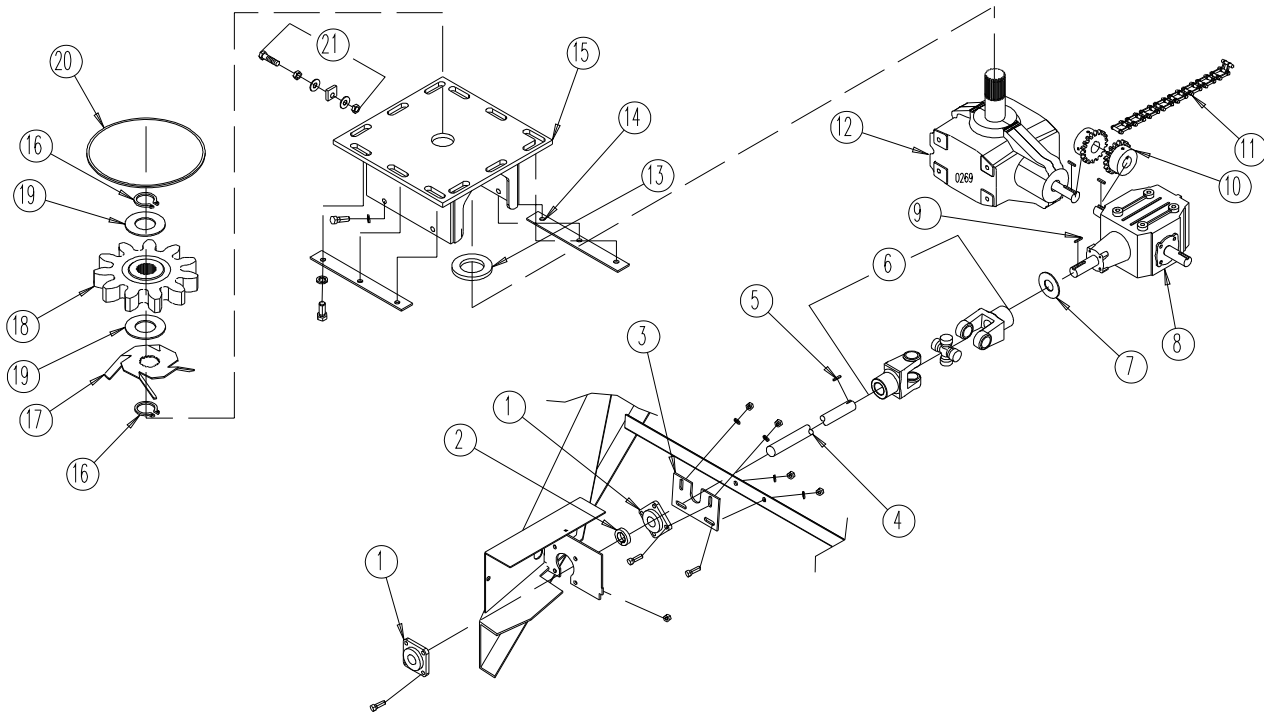


## Wheel and Hub Parts



REF	PART NO	QTY	DESCRIPTION
1	174-755	1	Grease Seal; Transcom #37605SA
2	173-001	1	Bearing Cone; Timken # HM218248
3	172-999	2	Hub, Wheel 10 Hole
4	173-031	1	Bearing Race; Timken # HM218210
5	174-784	10	Stud, Wheel, 3/4" NF
6	170-920	10	Lug Nut; 3/4" NF
7	173-032	1	Bearing Race; Timken # HM212011
8	173-002	1	Bearing Cone; Timken # HM212049
9	174-757	1	Washer Spindle 2 1/16" x 4"
10	174-756	1	Nut; Castle, 2" NF
11	173-007	1	Cover; Mtg. Hrd: 5/16" x 3/4", LW (4EA)
12	173-008	2	Wheel and Tire Assy; (neg 2" offset) (Aircraft)
13	173-170	1	Wheel Rim (inner); Mtg. Hrd: 1/2" x 1 1/4" GRD5, LN (32EA)
14	173-171	1	Wheel Rim (outer)
15	173-172	1	Tire 44 1/2" x 16 1/2"
16	173-174	1	Inner Tube 44 1/2" x 16 1/2" (not shown)
17	173-173	1	Flap, 44 1/2" x 16 1/2" (not shown)
18	171-616	2	Wheel Rim; 10 Bolt; (0 offset) (not shown) (Truck)
19	171-653	2	Tire, Truck 15" x 22 1/2" (not shown)
20	174-577	2	Inner Tube, Truck 15" x 22 1/2" (not shown)
21	170-023	1	Grease fitting, 1/4"
22	174-804	1	Roll pin, 3/8" x 3"
23	174-759	2	Weigh Bar; Spindle; 3-3/4"; Mtg Hrd; 5/8" x 5-1/2" Grade 8 Bolt, Ln

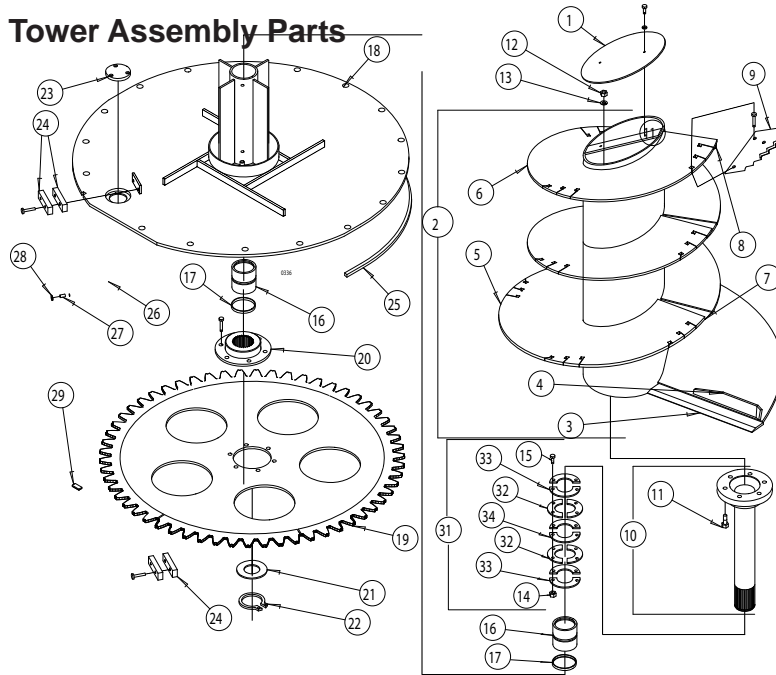
**Pinion Gear Drive Parts**



REF	PART NO	QTY	DESCRIPTION
1	171-585	2	Flange Bearing; Ecc. Loc, 1 3/8", 1/2" x 1 3/4", LW, Nut (6EA)
2	172-193	1	Shaft Collar; 1 3/8"
3	140-781	1	Bearing Mount Plate; Mtg. Hrd: 1/2" x 1 1/4"B,FW,LW,Nut (2EA)
4	136-415	1	Shaft; 1 3/8" x 85"
5	171-410	3	Key; 3/8" x 3/8" x 1 7/8"
6	174-884	1	U-Joint Assembly
	174-925	1	Yoke; 1 1/2"RB, 3/8" Key
	174-908	1	Yoke; 1 3/8"RB, 3/8" Key
	174-909	1	Cross & Bearing Kit
7	141-135	1	Trash Guard; 1 1/2" ID x 3 1/2" O.D. x 1/8" Thk.
8	174-743	1	Gearbox; 1.93:1 ratio, Mtg. Hrd: 5/8" x 1 3/4"B,FW,LW (4EA)
9	170-052	1	Key; 3/8" x 3/8" x 2 1/8"
10	141-417	2	Sprocket; 80-B-18, 1 1/2" bore
	141-412	1	Sprocket; 80-B-18, 1 1/2" bore (Splined Shaft Only)
11	175-054	1	Chain, Roller, 80-2-18P
12	174-805	1	Gearbox; 3:1 ratio, Mtg. Hrd, 5/8" x 2"B, LW (8EA)
13	174-809	1	Oil Seal
14	140-786	2	Gearbox Spacer
15	103-672	1	Gearbox Mount; Mtg. Hrd: 5/8" x 1 3/4" B,LW (6EA)
16	170-152	2	Snap ring; 2 1/2" external, Waldes 5100 Series
17	141-130	1	Oil Slinger; 2 1/2"ID
18	141-284	1	Pinion Gear; 2 1/2" ID (11 tooth)
19	171-968	AR	Shim; 1/8" x 2 1/2" x 3 1/2"
	172-046	AR	Shim; 1/16" x 2 1/2" x 3 1/2"
20	141-466	1	O-Ring; 5/16"
21	170-504	1	Hex Bolt 1/2" x 5"; Mtg. Hrd: Nut, FW (2EA)
	170-493 <sup>A</sup>	1	Hex Bolt 3/8" x 5"; Mtg. Hrd: Nut, FW (2EA)

<sup>A</sup> Use on units before S/N 5060-93

## Auger and Tower Assembly Parts



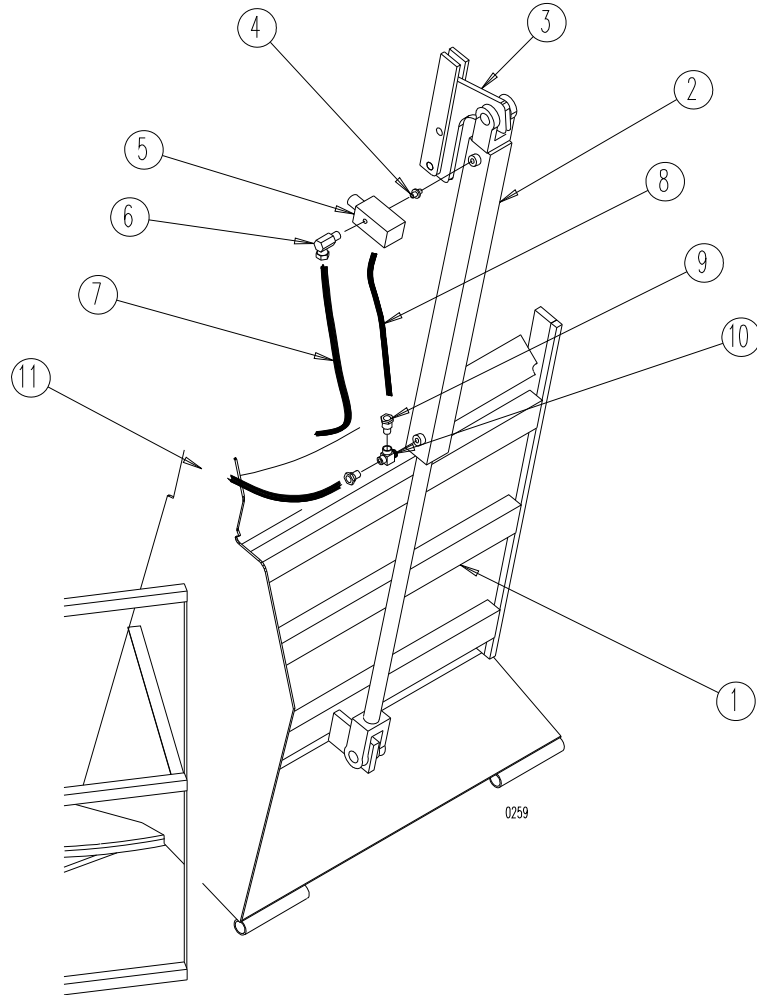
REF	PART NO	QTY	DESCRIPTION
1	140-646	2	Plate, Auger Cover; Mtg Hrd: 3/8" x 3/4"SSB, LW (2EA)
2	103-667	2	Auger Assembly;
3	140-579	1	Leading Edge; (weld on)
4	141-063	1	Kicker Bar; (weld on)
	141-134	1	Klicker Bar Brace (weld on)
5	140-663	1	Lower Flighting; 5/8" x 57"OD x 16"ID RH (weld on)
6	140-664	2	Upper Flighting; 1/2" x 38"OD x 16"ID RH (weld on)
7	141-415	2	Shark Tooth (weld on)
8	141-020	1	Upper flighting Brace (weld on)
9	141-114	8	Knife; Mtg Hrd: 5/8" x 2" GRD5 C-bolt,FW,LN (2EA)
10	103-666	2	Auger Drive Shaft; 4"dia.
11	174-784	6	Wheel Stud; 3/4"NF x 3 1/8"
12	170-920	2	Hex Nut; 3/4"NF (6EA)
13	174-793	2	Washer, lock 3/4" external tooth (6EA)
14	170-047	4	.38 Lock Nut
15	170368	4	.38x1.5 Bolt
16	135-692	4	Bearing, Plastic; 4"ID x 5"
17	172-913	4	Quad-Ring Seal; 4"ID
18	103-669	1	Front Tower; Mtg Hrd: 174-767 Plow Bolt, 5/8" x 2", FW,LN (17EA)
	103-670	1	Rear Tower; Mtg Hrd: 174-767 Plow Bolt, 5/8" x 2", FW,LN (17EA)
	103-838	2	Bull Gear
20	103-699	2	Bull Gear Hub; 4" spline, Mtg Hrd: 3/4" x 2" GR 8 B, LN
21	174-777	2	Washer; 3/16" x 7" x 4 1/16"ID
22	171-989	2	Snap Ring; 4" external, Waldes 5100 series
23	140-593	2	Plate, Inspection Cover; Mtg Hrd: 5/16" x 3/4" SSB (3EA)
24	140-722 <sup>B</sup>	8	Gear Guide; Nylon, Mtg Hrd: 1/2" x 3" B, LN
25	171-935 <sup>A</sup>	43'	Foam Rubber Seal; 3/8" x 3/4" (21' 6" EA)
26	181-036 <sup>A</sup>	18'	Grease Tube; Copper, 3/16" OD (2@48", 2@60")
27	172-822	4	Compression Fitting ; 3/16" tube x 1/8" NPTF
28	174-807	4	Grommet; Rubber, 3/4" x 3/16"
29	174-769	4	Magnet (2 per oil bath)
30	142-827	1	Flight Backer (weld on) (top flight only)
31	300-068	1	Kit, Thrust washer repair
32	143-629	2	Sheet, Pla, .38x4.63x9.25
33	141-854	4	Plate, .25x5.63x11.25
34	141-853	2	Plate, .38x5.63x11

<sup>A</sup>: Sold By Linear Foot.

<sup>B</sup>: Used on Laminated Bullgears Only.

Kuhn Knight, Inc.  
1501 West 7th Ave., Brodhead, WI 53520  
701 Cherry Ave., Greeley, CO 80632

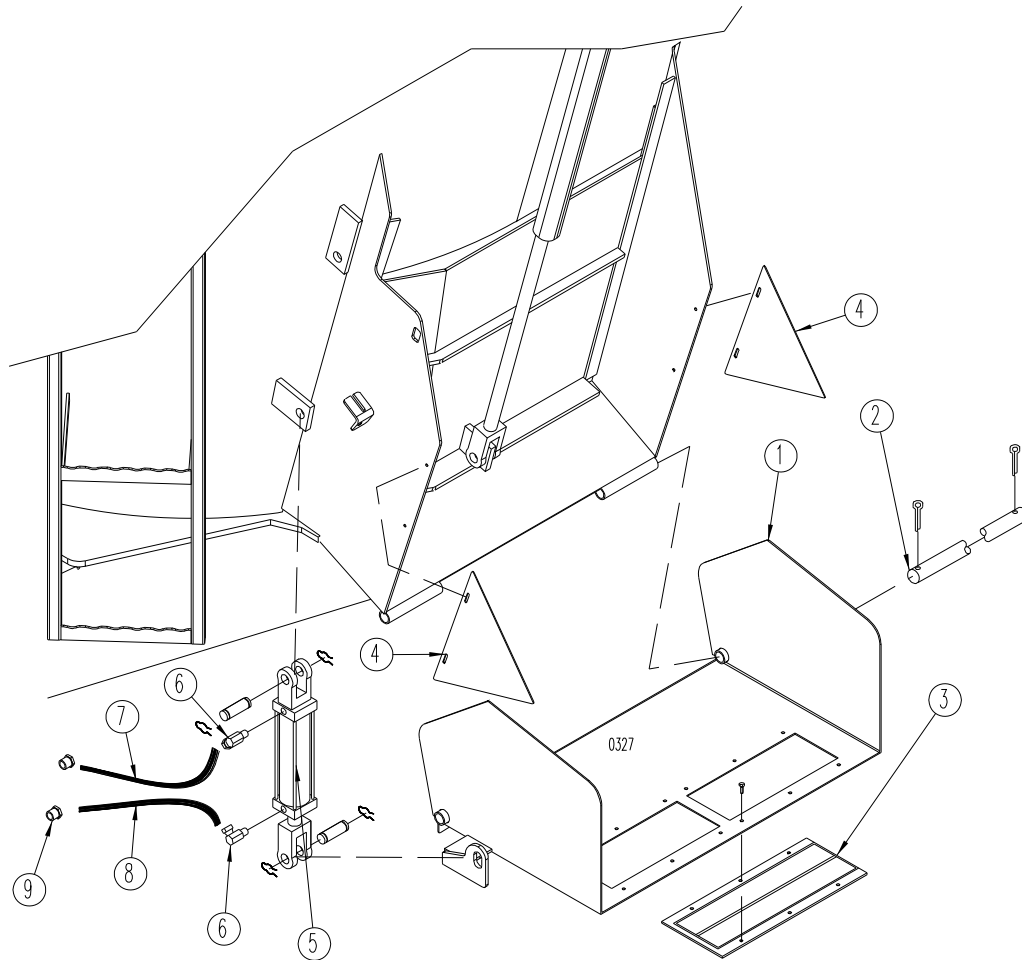
**Door and Cylinder Parts**



REF	PART NO	QTY	DESCRIPTION
1	103-673	1	Door Assembly
2	174-822 <sup>A</sup>	1	Door Cylinder; 2" Dia x 30", 1 1/4" Rod (seal kit 174-823 )
3	140-626	1	Cylinder Mount; Mtg Hrd: 5/8" x 2"B, LN (2EA)
4	173-483	1	Adapter; 3/8"NPTM - 3/8"NPTM
5	174-843	1	Relief Valve: RD-1837H-7-01
6	171-030	1	Adapter, 90°; 3/8"M x 3/8"F SW
7	171-464	1	Hose Assembly; 1/4" x 190"
8	171-202	1	Hose Assembly; 1/4" x 31 1/2"
9	170-233	2	Adapter, ST; 3/8"M x 3/8"F
10	173-653	1	Adapter, Tee; 3/8" NPT
11	170-471	1	Hose Assembly; 1/4" x 170"
12	174-771	1	Hose Clamp; Mtg Hrd: 5/16" FW, FLN (not shown)
13	174-772	1	Hose Clamp; Mtg Hrd: 5/16" FW, FLN (not shown)

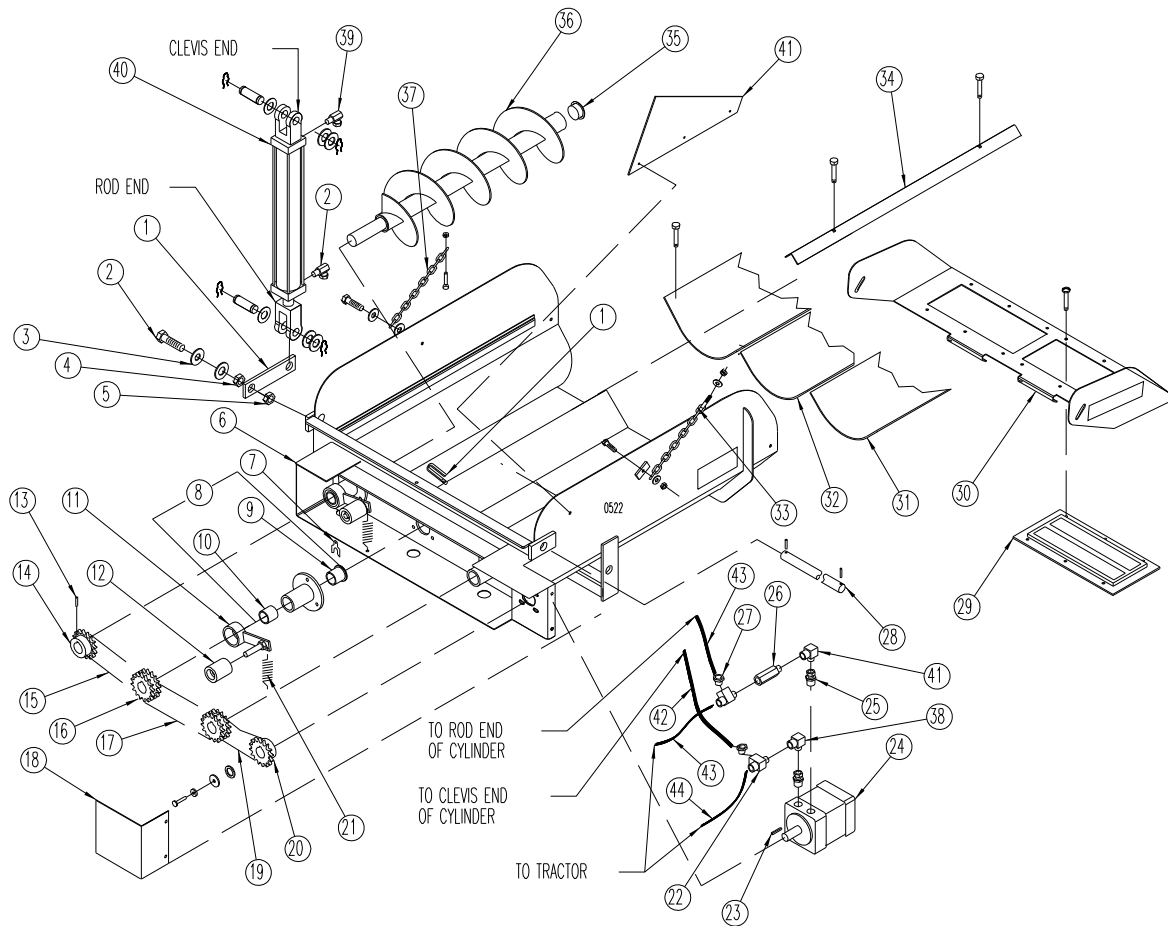
<sup>A</sup> Door Cylinders before serial number 5060-80 had 1-1/8" rods, seal kit #170-075

## Slide Tray Option



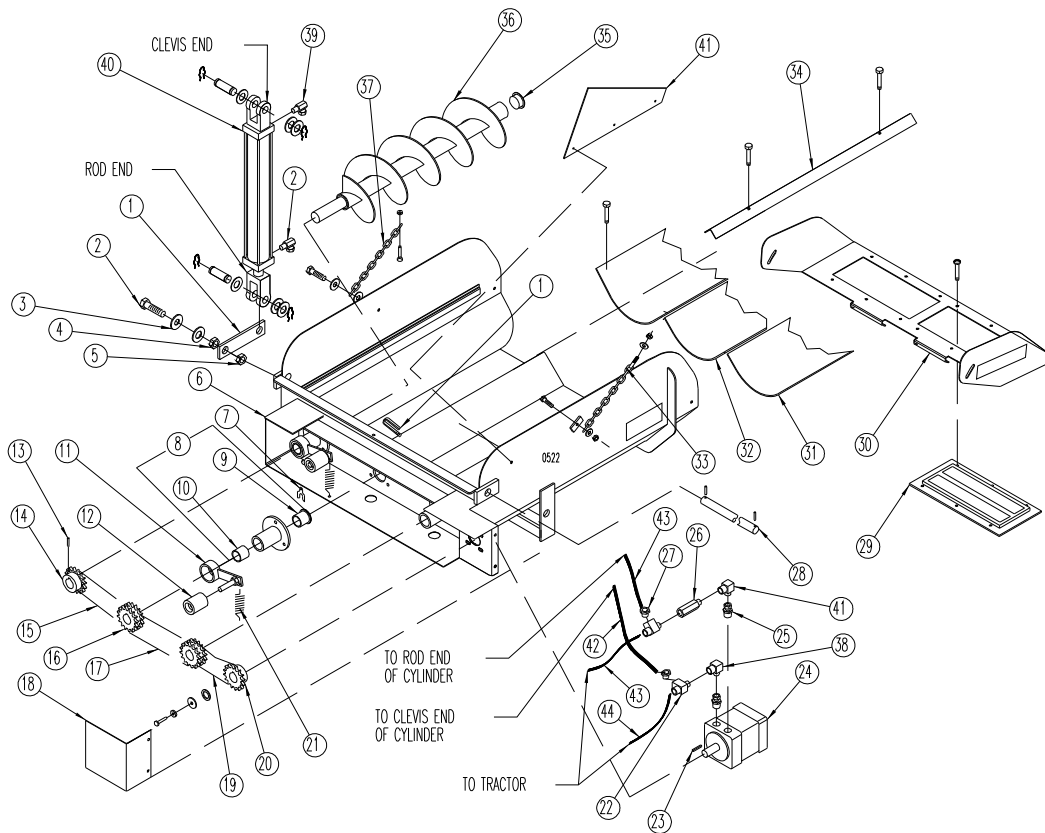
REF	PART NO	QTY	DESCRIPTION
1	103-761	1	Slide tray Assembly
2	136-444	1	Pivot Rod; 7/8" x 39 1/2" Mtg. Hrd: Cotter Pin 3/16" x 2" (2EA)
3	171-937	2	Magnet; Mtg. Hrd: 1/4" x 3/4" Truss Head Bolt,FW,LW(6EA)
4	140-824	2	Poly Deflector Plate; Mtg. Hrd: 1/4" x 3/4" Truss Head Bolt,FW,LW (2EA)
5	173-270	1	Hydraulic Cylinder; 2" x 8" (Seal Kit #170-075)
6	171-030	2	Swivel Connector; 3/8" x 90°
7	173-287	1	Hydraulic Hose; 1/4" x 125"
8	170-235	2	Fitting Reducer; 1/2" M to 3/8" FM
9	173-269	1	Hydraulic Hose; 1/4" x 120"

**3 Auger Discharge Parts**



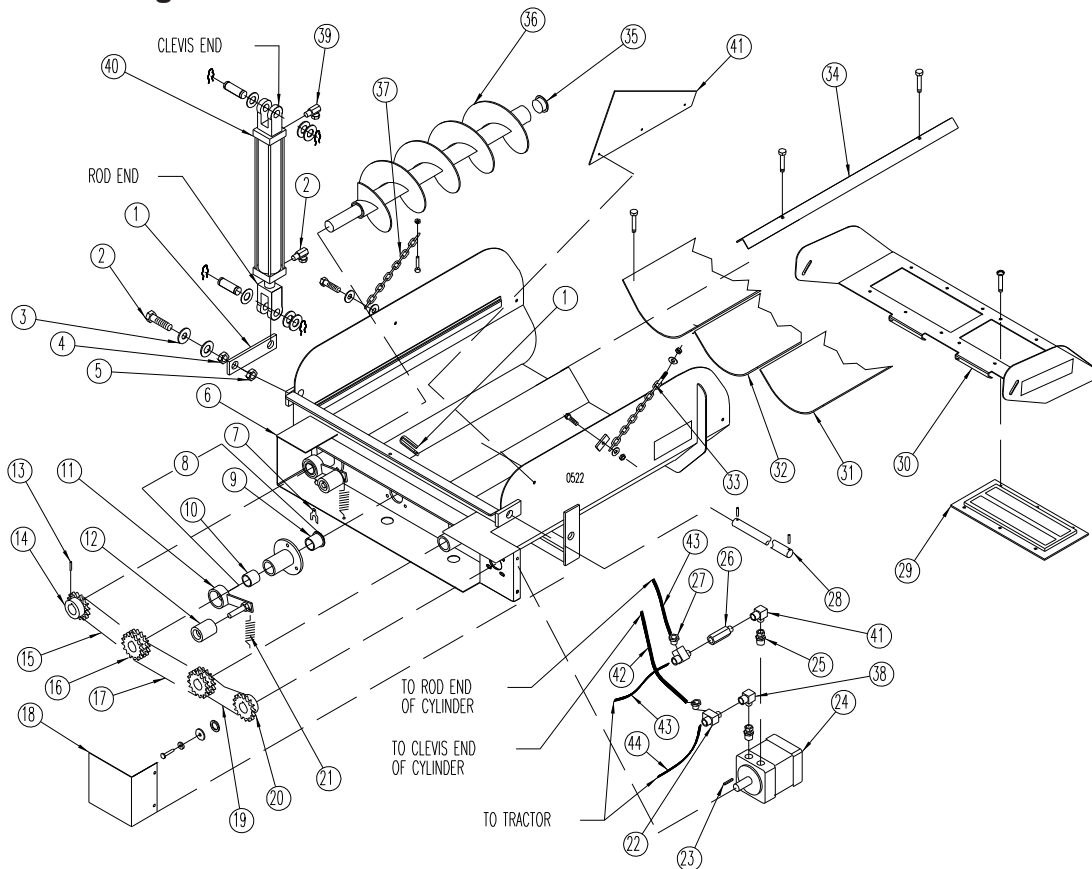
REF	PART NO	QTY	DESCRIPTION
	103-706	1	Complete Chute Assembly 4'
	103-781	1	Complete Chute Assembly 3'
	103-755	1	Complete Chute Assembly 2'
1	133-952	1	Chute Cylinder Linkage Bar; Mtg. Hrd: 170-074 Hairpin Clip (2EA)
2	173-021	1	Bolt, 1" x 3 1/2" Hex Head
3	170-122	1	Spacer Washer; 1" SAE Flat
4	174-927	1	Nut, 1" Hex Jam
5	174-928	1	Nut, 1" Hex Lock
6	103-703	1	Chute Weldment 4'
	103-780	1	Chute Weldment 3'
	103-758	1	Chute Weldment 2'
7	171-265	A/R	Shim; .017" Thick
8	101-227	3	Auger Bearing Assembly; 3/8" x 1" B, Lw, Nut (3EA)
9	171-260	1	Bronze Bushing; 1-3/8" ID Flanged
10	171-259	1	Bronze Bushing; 1-3/8" ID
11	101-231	2	Chain Tightener Arm
12	134-395	2	Poly Block, Mtg. Hrd: 5/8 LW & Jam Nut

### 3 Auger Discharge Parts



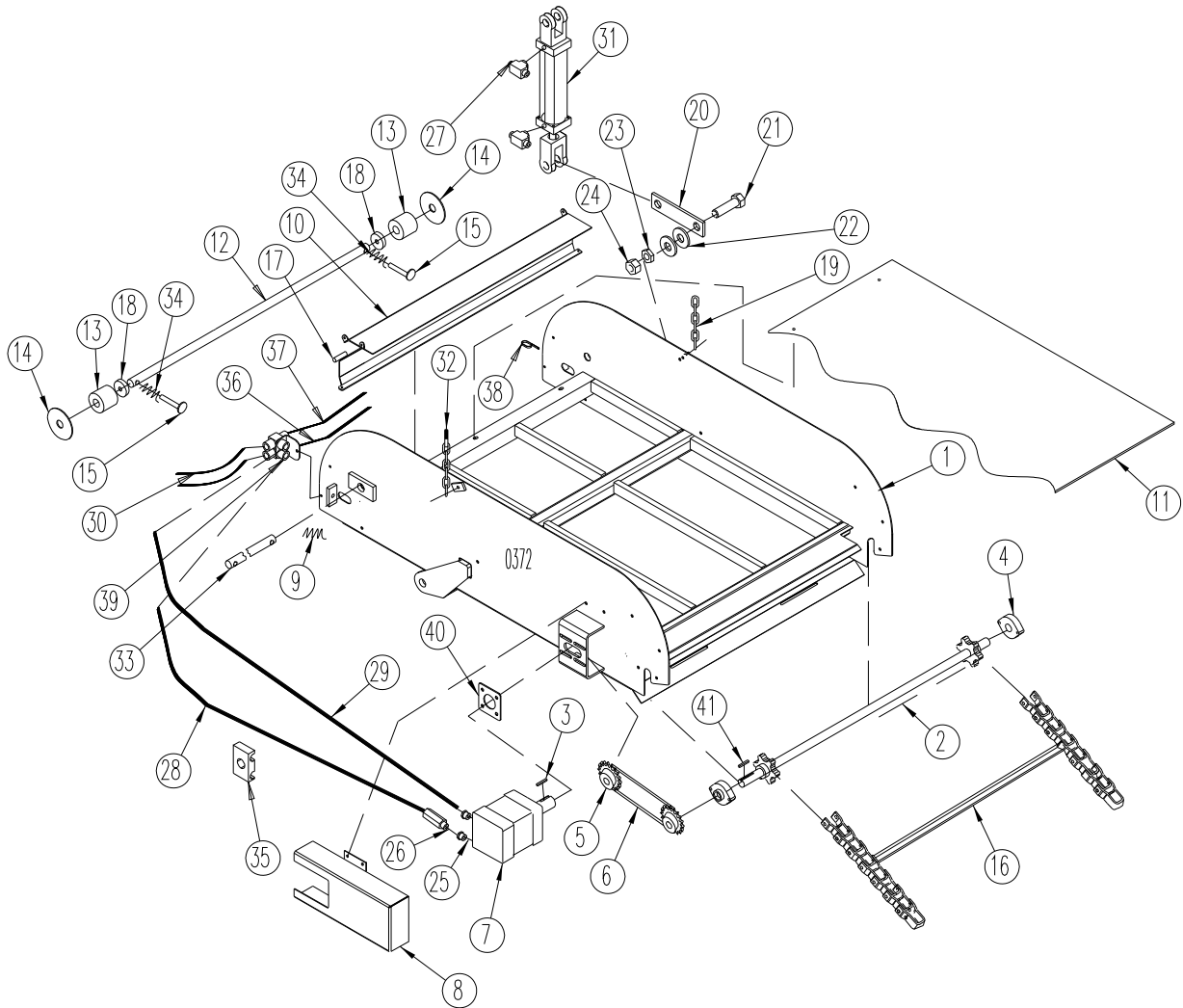
REF	PART NO	QTY	DESCRIPTION
13	171-414	3	Roll Pin; 5/16" x 2 1/2"
14	140-902	1	Sprocket; 50-B-15, 3/8" Bore; Mtg. Hrd: 5/16" x 2 1/2" Roll Pin
15	174-886	1	Roller Chain; 50-1-54 Pitch
16	134-390	2	Sprocket; 50-2R-18, 1-3/8" Bore; Mtg. Hrd: 5/16" x 2 1/2" Roll Pin
17	171-932	1	Roller Chain; 50-1-56 Pitch
18	140-896	1	Motor Drive Shield; Mtg. Hrd: 5/16" x 3/4" B, Lw, Nut (2EA)
19	171-008	1	Roller Chain; 50-1-47 Pitch
20	134-389	1	Sprocket; 50-B-18, 1" Bore, (Inc. 170-254 set screw)
21	170-110	2	Extension Spring
22	170-859	2	Service Tee; 1/2" FM x 1/2" FM x 1/2" M
23	171-883	1	Key; 1/4" x 1/4" x 1"
24	171-666	1	Hydraulic Motor; 12 cu.in. (Seal Kit #171-257) Mtg. Hrd: 3/8" x 7/8" B, Lw (4EA)
25	171-668	2	Straight Thread Adapter
26	171-151	1	Line Check Valve; 1/2" NPT
27	170-235	2	Reducer Bushing; 1/2" NPT M to 3/8" NPT F
28	136-444	1	Tip-off Pivot Rod; 7/8" x 39 1/2" Mtg. Hrd: 170-115 Cotter Pin (2EA)
29	171-937	2	Magnet; Mtg. Hrd: 1/4" x 3/4" Truss Head Bolt, Fw, Lw, Nut (6EA)
30	103-702	1	Tip-off Assembly; Mtg. Hrd: 5/16" x 1" B, LW Nut (2EA)
31	140-745	2	Plastic Chute Liner, 4'- Side; Mtg. Hrd: 1/4" x 3/4" Truss Head Bolt, LW, Nut (2EA)
	133-942	2	Plastic Chute Liner, 3'- Side; Mtg. Hrd: 1/4" x 3/4" Truss Head Bolt, LW, Nut (2EA)
	140-937	2	Plastic Chute Liner, 2'- Side; Mtg. Hrd: 1/4" x 3/4" Truss Head Bolt, LW, Nut (2EA)

### 3 Auger Discharge Parts



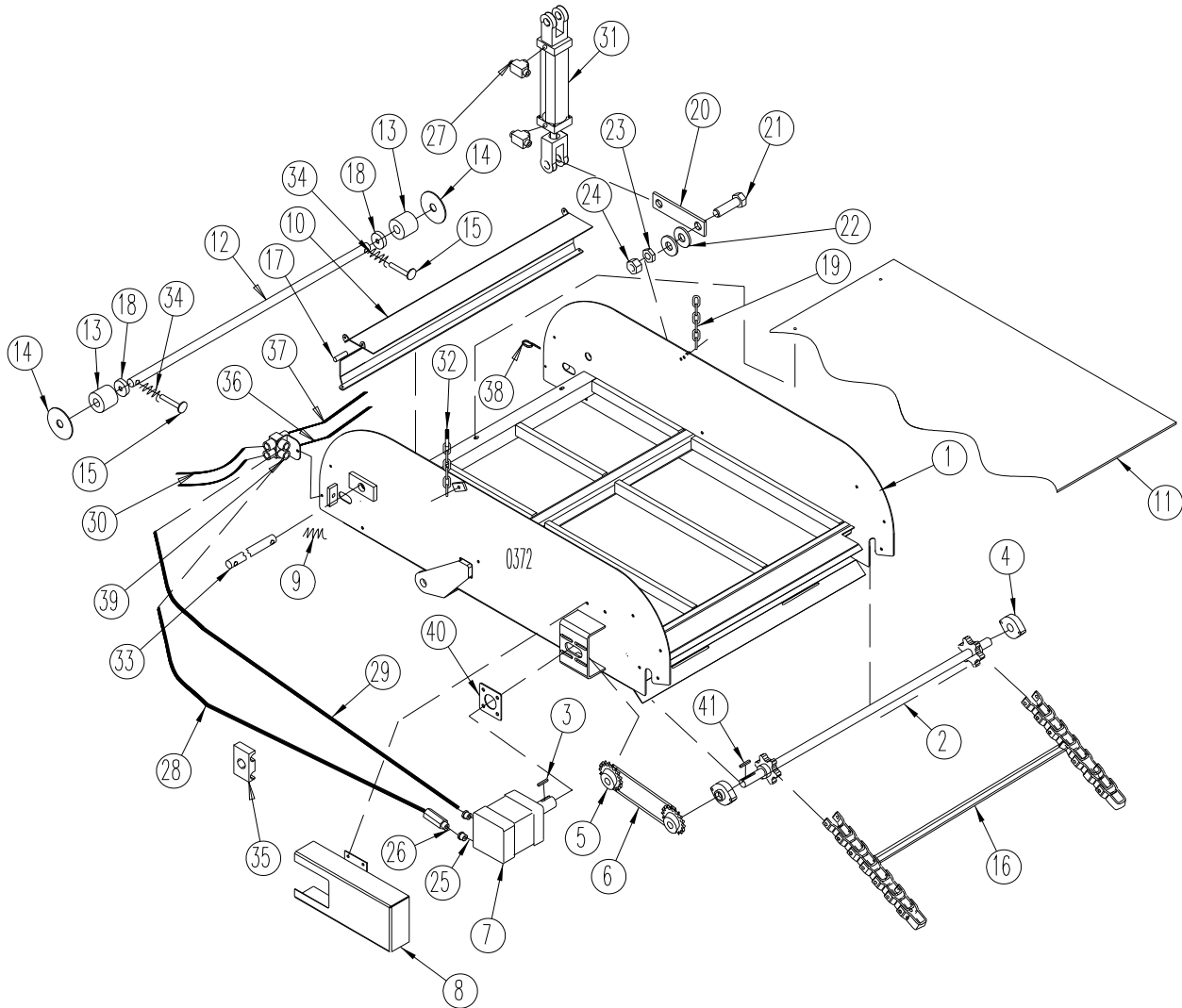
REF	PART NO	QTY	DESCRIPTION
32	140-746	1	Plastic Chute Liner,4'- Center; Mtg. Hrd: 1/4" x 3/4" Truss Head B,LW, N (2EA)
	133-943	1	Plastic Chute Liner,3'- Center; Mtg. Hrd: 1/4" x 3/4" Truss Head B,LW, N (2EA)
	140-938	1	Plastic Chute Liner,2' - Center; Mtg. Hrd: 1/4" x 3/4" Truss Head Bolt,LW, Nut (2EA)
33	103-918	1	Chute Restraint Chain Assy. Mtg. Hrd: 5/16" x 1" Truss Head Bolt, FW,LW, Nut, 3/8" FW, LN
34	103-705	2	Liner Hold Down 4'; Mtg. Hrd: 1/2" Jam Nut, 5/16"x1 1/2" C-Bolt,FW,LN (2EA)
	140-896	2	Liner Hold Down 3'; Mtg. Hrd: 1/2" Jam Nut, 5/16"x1 1/2" C-Bolt,FW,LN (2EA)
	140-897	2	Liner Hold Down 2'; Mtg. Hrd: 1/2" Jam Nut, 5/16"x1 1/2" C-Bolt,FW,LN (2EA)
35	171-186	3	Plastic Cap Plug; #16
36	103-704	3	Auger Assembly, 4'
	101-736	3	Auger Assembly, 3'
	103-756	3	Auger Assembly, 2'
37	141-608	1	Chain; Coil 5/0-19 x 21 Link; Mtg. Hrd: 5/16" x 1" B, LW, Nut 5/16" x 1" Truss Head Bolt, FW, (3EA), Fln (1EA)
38	171-136	2	Swivel Connector; 90
39	171-030	2	Swivel Connector; 90
40	173-220	1	Cylinder;2"DIA x 18", (Seal Kit#170-075) 173274 Pin,172-275 Hairpin
41	140-787	1	Plastic Extension; Mtg. Hrd: .19#11 pop rivet (173-391),FW (3EA)
42	171-330	2	Hydraulic Hose; 1/2"x 168" OAL
43	171-427	1	Hydraulic Hose; 1/4"x 82" OAL
44	171-940	1	Hydraulic Hose; 1/4"x 64" OAL

## Chain and Slat Chute Option



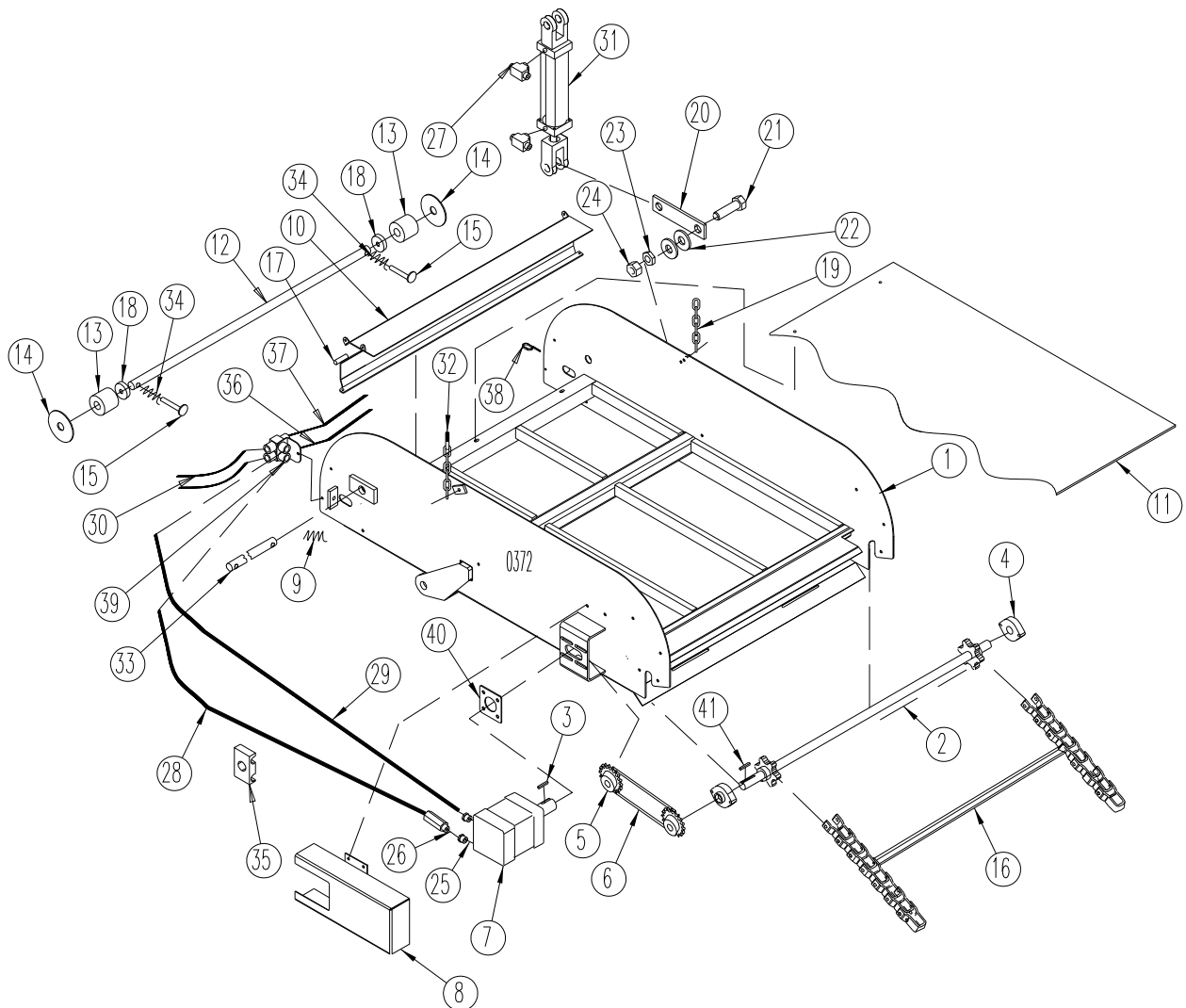
REF	PART NO	QTY	DESCRIPTION
	103-757	1	Complete Chute Assembly
1	103-827	1	Chute Frame Weldment
2	103-829	1	Drive Sprocket Weldment
3	171-883	1	Key; 1/4" x 1/4" x 1" Long
4	170-026	2	Bearing, Flange, 1"; Mtg Hrd: 5/16" x 1" B, LW, Nut (2EA)
5	134-389	2	Sprocket; 50-B-18 1" B. 1/4 K.W.
6	171-178	1	Chain, Roller 50-1-48P
7	171-666	1	Motor, Hyd., 12.0 Cu. In.; Mtg Hrd: 3/8" x 1 1/4" B (4EA)
8	141-204	1	Shield; Mtg Hrd: 5/16" x 3/4" B,FW,LW,Nut (2EA)
9	170-110	2	Spring, Extension
10	141-462	1	Rear Cover; Mtg Hrd: 5/16" x 1" Truss Head Bolt,LW,Nut (2EA)
11	141-217	1	Discharge Floor; Mtg Hrd: 1/4" x 3/4" B,FW,LW,Nut (3EA)
12	141-215	1	Idler Shaft, 1" x 38 3/4"
13	141-216	2	Bushing; Plastic, 2 1/2" x 1" x 2 5/8"
14	141-220	2	Washer; Plastic, 1/8 x 4" x 1"
15	170-593	2	Bolt, 3/8" x 5 1/2" Full Thread

**Chain and Slat Chute Option**



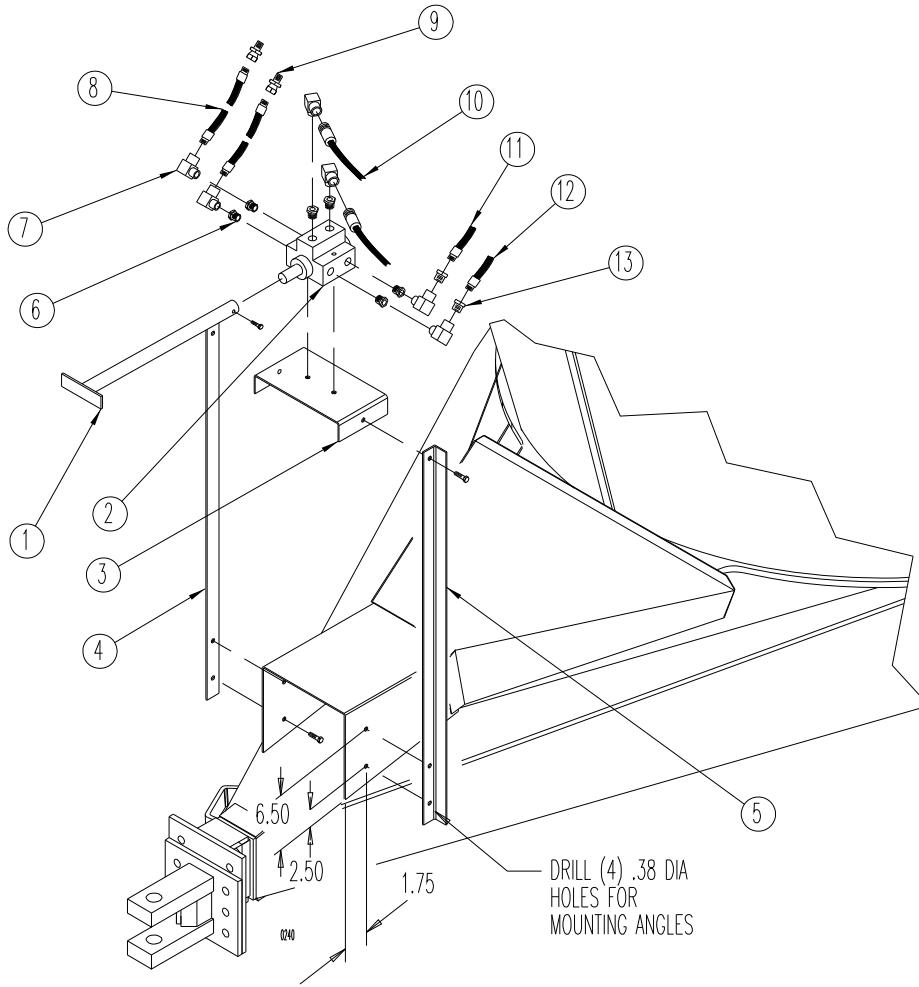
REF	PART NO	QTY	DESCRIPTION
16	103-828	1	Apron Chain, Assy, 66 Links CA- 620
	103-843	A/R	Chain, Assy, Repair
	171-288	A/R	Connector Link
	171-287	A/R	Offset Link
17	103-890	1	Rear Cover; Mtg Hrd: 5/16" x 1" Truss Head Bolt,LW,Nut (2EA)
18	130-394	2	Collar; Shaft, 1 3/4" x 1" x 5/8"
19	141-608	1	Chain; Coil 5/0-19 x 21 Link; Mtg. Hrd: 5/16" x 1" B, LW, Nut 5/16" x 1" Truss Head Bolt, FW, (3EA), Fln (1EA)
20	133-952	1	Cylinder Linkage
21	173-021	1	Bolt, 1" x 3 1/2" Hex Head
22	170-122	2	Spacer Washer; 1" SAE Flat
23	174-927	1	Nut, 1" Hex Jam
24	174-928	1	Nut, 1" Hex Lock

## Chain and Slat Chute Option



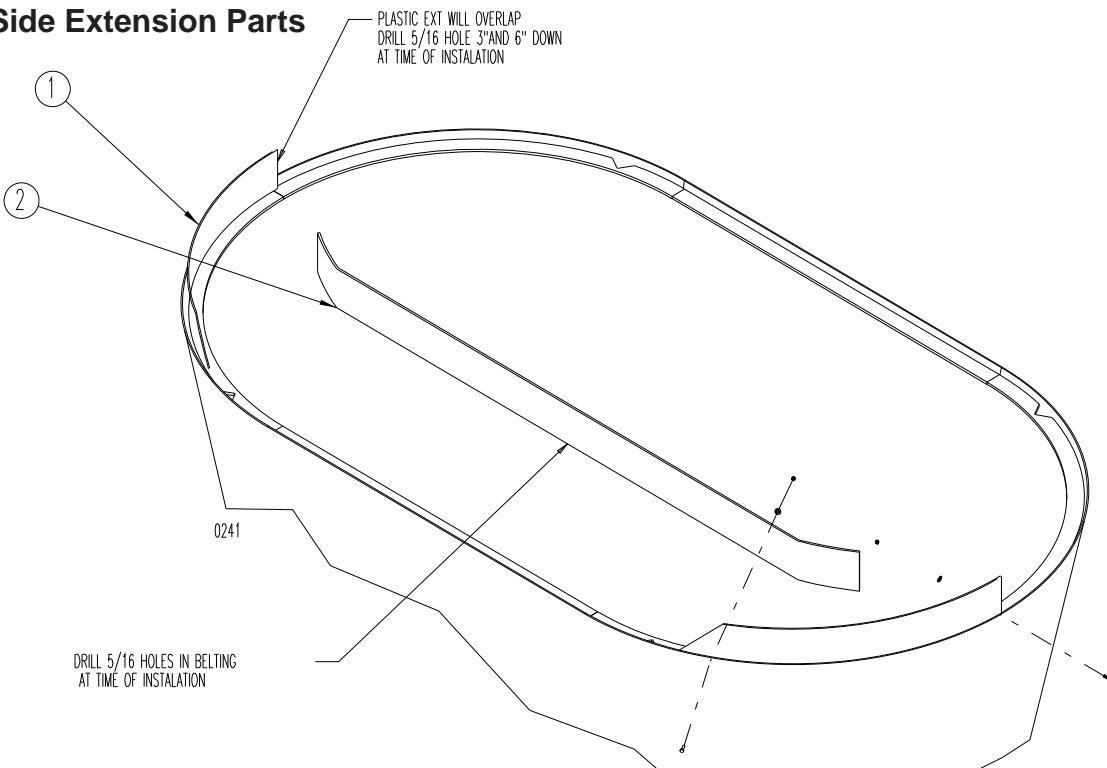
REF	PART NO	QTY	DESCRIPTION
25	171-668	1	Adapter, Straight
26	171-151	1	Check Valve; 1/2" npt
27	171-030	2	Adapter, 3/4" x 90°, Elbow
28	171-194	1	Hydraulic Hose; 1/2" x 43"
29	171-195	1	Hydraulic Hose; 1/2" x 46 1/2"
30	171-330	2	Hydraulic Hose; 1/2" x 168"
31	173-220	1	Cylinder, 2" dia x 18", (Seal Kit#170-075) 173-274 Pin, 172-275 Hairpin
32	103-918	1	Chute Restraint Chain Assy; Mtg Hrd: 5/16" x 1" Truss Head Bolt, LW, Nut
33	136-444	1	Pivot Rod; Mtg Hrd: 3/16" x 2" Cotter Pin (2EA)
34	170-238	2	Spring; Compression
35	174-771	1	Hose Holder; Mtg Hrd: 5/16" x 2" B, FW, LW, Nut
36	171-940	1	Hydraulic Hose; 1/4" x 64"
37	171-427	1	Hydraulic Hose; 1/4" x 82"
38	171-782	1	Hose Clamp; Mtg Hrd: 5/16" x 1" Truss Head Bolt, LW, Nut
39	103-875	1	Fitting Mount; Mtg Hrd: 5/16 x 3/4" Truss Head Bolt, LW, Nut
40	141-422	1	Spacer Plate
41	170-120	1	Key; 1/4" x 7/8", Woodruff # 807

**Selector Valve Option**



REF	PART NO	QTY	DESCRIPTION
1	101-791	1	Control Handle; Mtg Hrd: 1/4" x 1-1/2" B, LN
2	101-891	1	Selector Valve Assembly (Seal Kit # 171-847); Mtg Hrd: 3/8" x 7/8" B, LW (2EA), Fw (4EA)
3	140-792	1	Valve Mount; Mtg Hrd: 3/8" x 7/8"B, LW, Nut (2EA)
4	140-790	1	Valve Support; Mtg Hrd: 3/8" x 7/8"B, LW, Nut (2EA)
5	140-791	1	Valve Support; Mtg Hrd: 3/8" x 7/8"B, LW, Nut (2EA)
6	171-430	6	Reducer; 3/4" to 1/2"
7	171-136	6	Elbow; Bushing, 1/2" - 90°
8	172-324	2	Hydraulic Hose; (to slide tray) 1/4" x 72" OAL (3/8" Ends)
	171-426	2	Hydraulic Hose; (to power chute) 1/2" x 93" OAL (1/2" Ends)
9	170-513	2	Swivel Connector; 1/2" straight
10	171-425	2	Hydraulic Hose; (to tractor) 1/2" x 70" OAL (1/2" Ends)
11	171-428	1	Hydraulic Hose; (to door) 1/4" x 102" OAL (3/8" Ends)
12	170-465	1	Hydraulic Hose; (to door) 1/4" x 127" OAL (3/8" Ends)
13	170-235	2	Reducer; Bushing, 1/2" to 3/8"

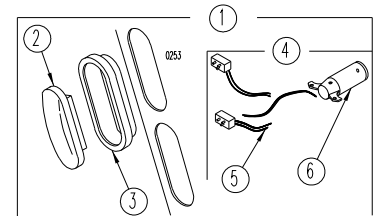
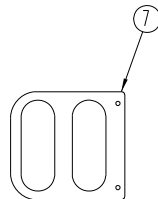
**Side Extension Parts**



REF	PART NO	QTY	DESCRIPTION
1	140-789	4	Plastic Side Extension; Mtg,Hrd; 5/16" x 1 1/2" B, 3/8" FW, FLN (4EA),5/16 x 1 1/4" (18EA) ,3/8" FW,FLN(6EA)
2	181-043	23'	Rubber Belting; 3/8" x 8", Mtg. Hrd: 5/16" x 1 1/4" 12EA),3/8" FW(14EA), FLN(12EA) (11 1/2'per side)

**Light Kit**

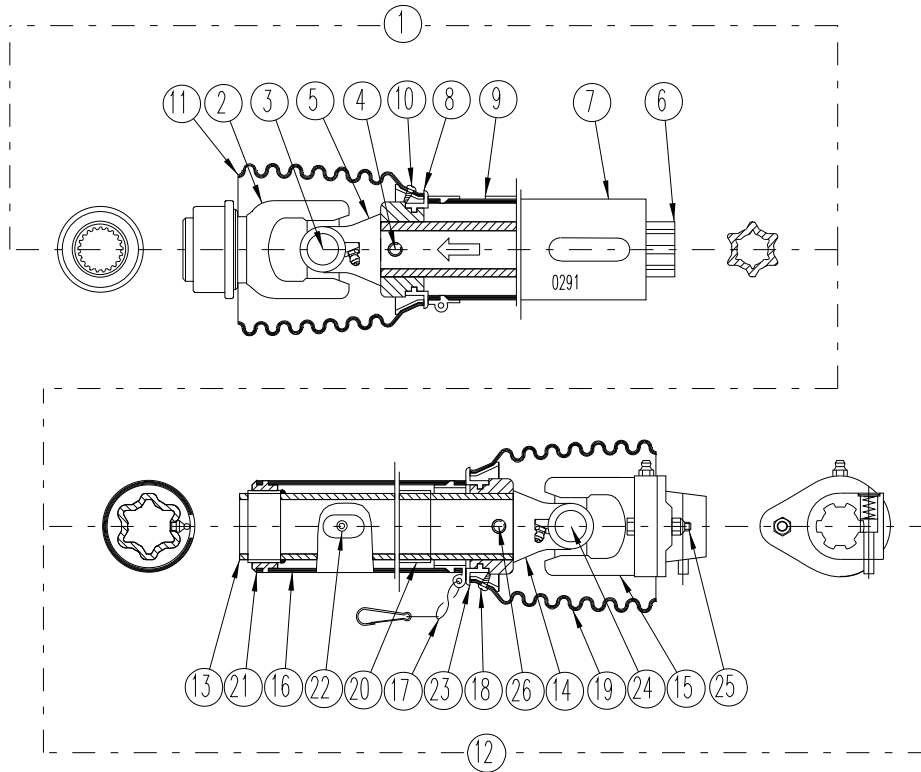
REF	PART NO	QTY	DESCRIPTION
1	174-675	1	Light Kit
2	174-673	2	Light, Amber
	174-674	2	Light, Red
3	174-725	4	Grommet
4	174-775	1	Wire Harness
5	174-724	4	Light Connector (pigtail only)
6	172-110	1	7 Pin Connector (SAE J560B)



**Safety Chain for Towed Equipment PART NO 173-077**

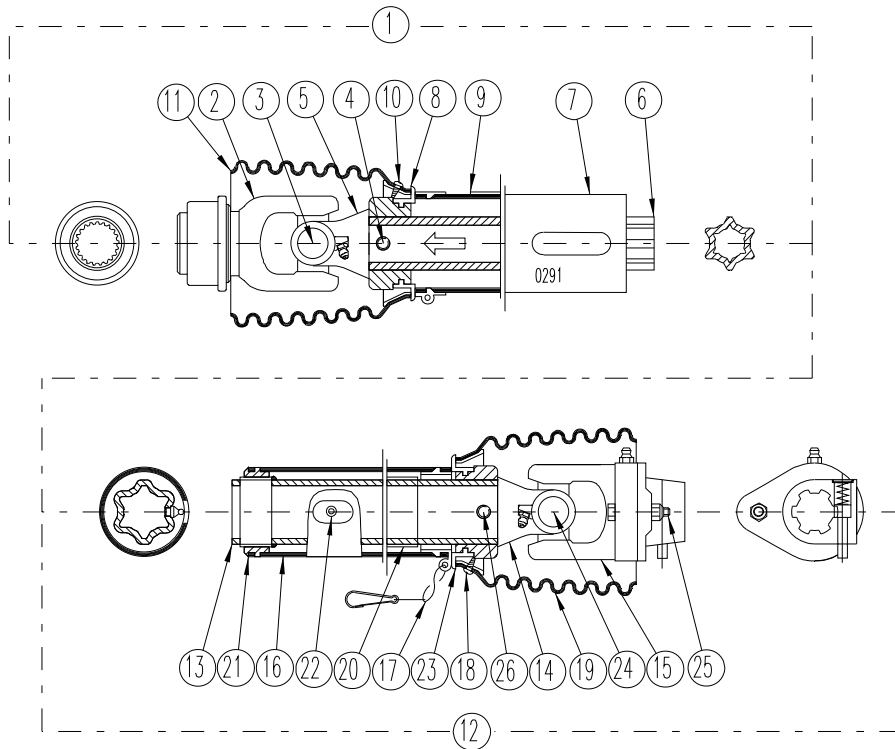
This chain is designed to retain the connection between towing and towed machines, in the event of separation of the primary attaching system. It should be utilized whenever the unit is on the highway.

**PTO Driveline (1000 RPM - 21 - Spline - 3/8 Yoke)**



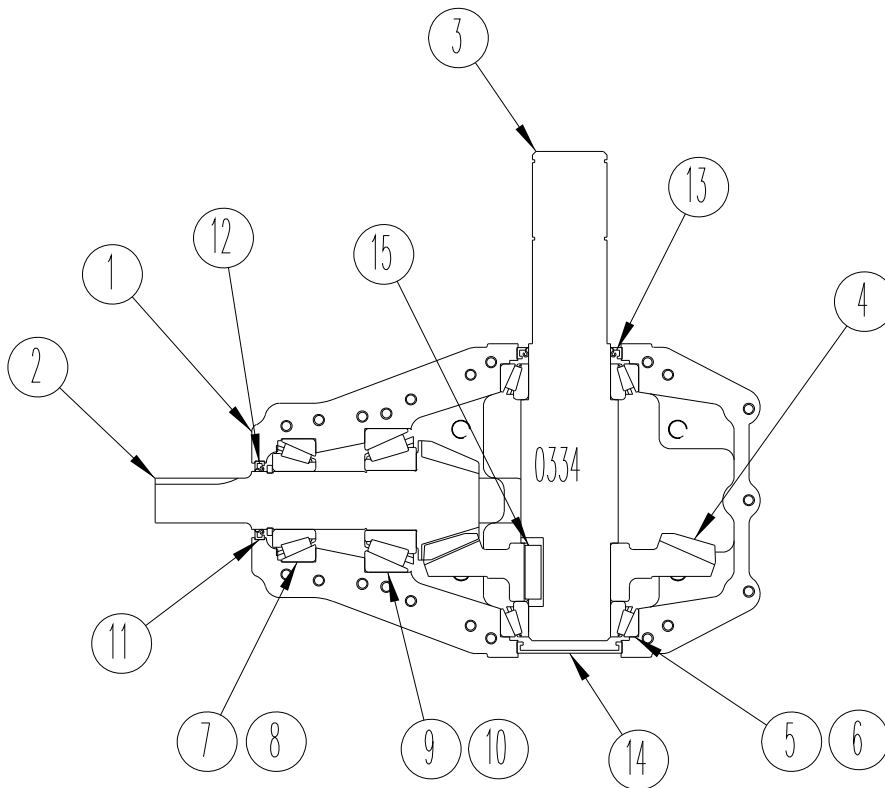
REF	PART NUMBER	QTY	DESCRIPTION
	174-883		Complete PTO Assembly
1	175-001	1	Half Shaft
2	174-984	1	Yoke 1 3/8 - 21 Spline
	174-996	1	Collar Kit
3	174-909	1	Cross & Bearing Kit
4	174-994	1	Spring Pin 10 x 90
5	174-985	1	Inboard Yoke
6	174-986	1	Inner Profile
7	174-992	1	Outer Shield
8	171-979	1	Bearing Ring
9	171-550	1	Decal, Keep Away
10	172-210	1	Screw
11	174-991	1	Shield Cone 7 Rib
12	175-002	1	Half Shaft
13	174-988	1	Outer Profile & Sleeve
14	174-987	1	Inboard Yoke
15	174-989	1	Shearbolt Clutch
	174-995	1	QD Pin Kit
16	174-993	1	Inner Shield
17	172-040	1	Safety Chain
18	172-210	1	Screw
19	174-991	1	Shield Cone 7 Rib
20	171-799	1	Decal, Danger Shield
21	172-207	1	Support Bearing
22	172-209	1	Zerk
23	171-979	1	Bearing Ring
24	174-909	1	Cross and Bearing Kit
25	170-369	1	Bolt, 5/16" x 2 1/2" NC Grd5
26	174-994	1	Spring Pin 10 x 90

**PTO Driveline (1000 RPM - 20 - Spline -1 3/4 Yoke)**



REF	PART NO	QTY	DESCRIPTION
	175-061		Complete PTO Assembly
1	175-060	1	Half Shaft
2	175-059	1	Yoke 1 3/4 - 20 Spline
	174-967	1	Collar Kit
3	174-909	1	Cross & Bearing Kit
4	174-994	1	Spring Pin 10 x 90
5	174-985	1	Inboard Yoke
6	174-986	1	Inner Profile
7	174-992	1	Outer Shield
8	171-979	1	Bearing Ring
9	171-550	1	Decal, Danger Keep Away
10	172-210	1	Screw
11	174-991	1	Shield Cone 7 Rib
12	175-002	1	Half Shaft
13	174-988	1	Outer Profile & Sleeve
14	174-987	1	Inboard Yoke
15	174-989	1	Shearbolt Clutch
	174-995	1	QD Pin Kit
16	174-993	1	Inner Shield
17	172-040	1	Safety Chain
18	172-210	1	Screw
19	174-991	1	Shield Cone 7 Rib
20	171-799	1	Decal, Danger Shield
21	172-207	1	Support Bearing
22	172-209	1	Zerk
23	171-979	1	Bearing Ring
24	174-909	1	Cross and Bearing Kit
25	170-369	1	Bolt, 5/16" x 2 1/2" NC Grd5
26	174-994	1	Spring Pin 10 x 90

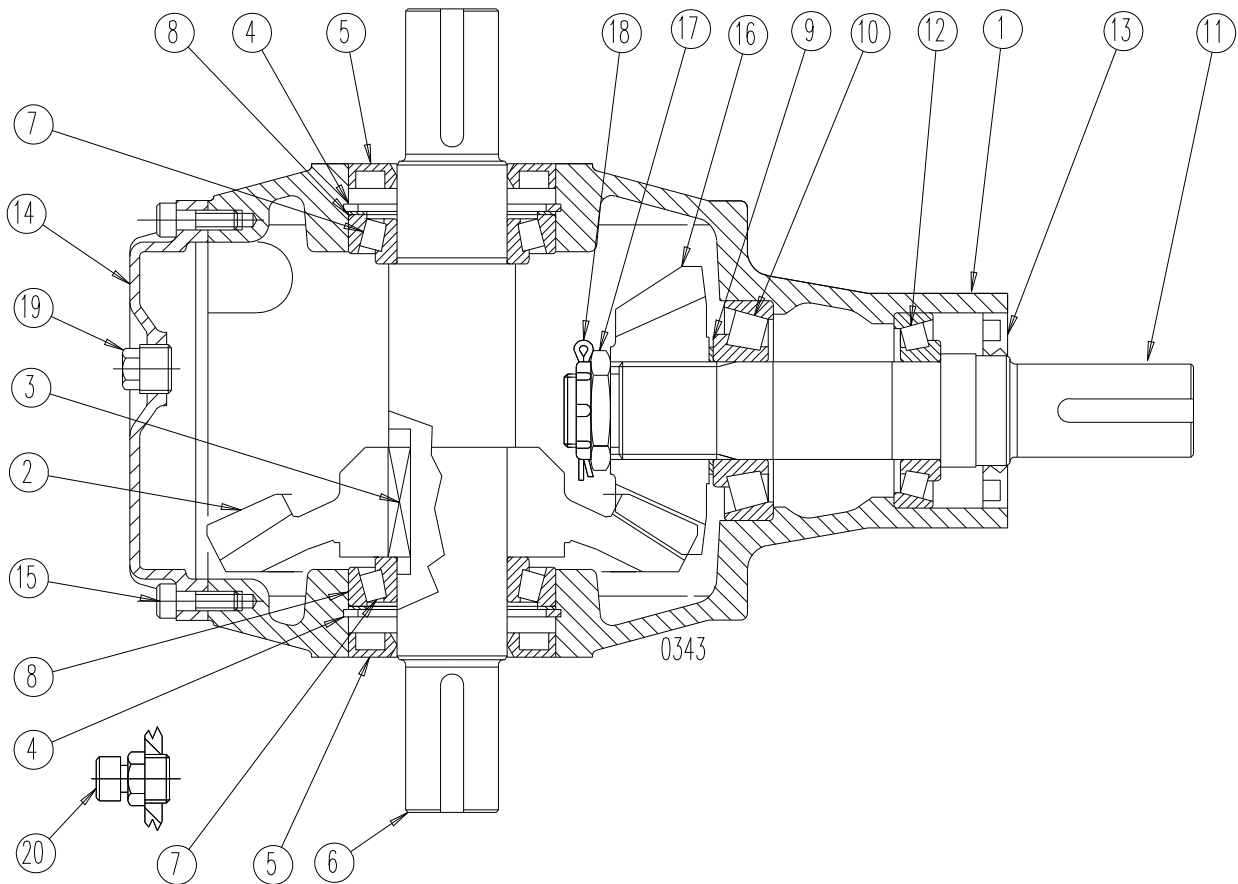
**Gearbox Parts (Superior)**



REF	PART NO	QTY	DESCRIPTION
	174-805	1	GEARBOX ASSEMBLY, 3:1
1	174-850	1	Casting Assembly
2	174-851 <sup>A</sup>	1	Shaft, Stub
3	174-852	1	Shaft, Cross
4	174-853	1	Gear, Bevel
5	172-361	2	Bearing, Cup, Timken # 33462
6	173-360	2	Bearing, Cone, Timken # 33275
7	174-854	1	Bearing, Cup, Timken # HM807010
8	174-855	1	Bearing Cone, Timken #HM07044
9	174-856	1	Bearing, Cone, Timken # 5565
10	174-857	1	Bearing, Cup, Timken # 5535
11	174-858	1	Retaining Ring, 1 15/16" Diameter
12	173-409	1	Seal, Lip, 2" x 2 5/8" x 5/16"
13	174-859	1	Seal, Lip, 2 3/4" x 3 1/2" x 3/8"
14	174-860	1	Cap, End
15	174-861	1	Key, SQ, 5/8" x 5/8" x 1 15/16"
16	173-153	21	3/8-16 x 2 1/4" SHCS Zinc Bolt (not shown)
17	173-152	5	Plug, 1/2"-14 NPT (not shown)
18	173-150	1	Bushing, 1/2" NPT To 1/8" NPT (not shown)
19	170-679	1	Plug, Vent 5PSI (not shown)

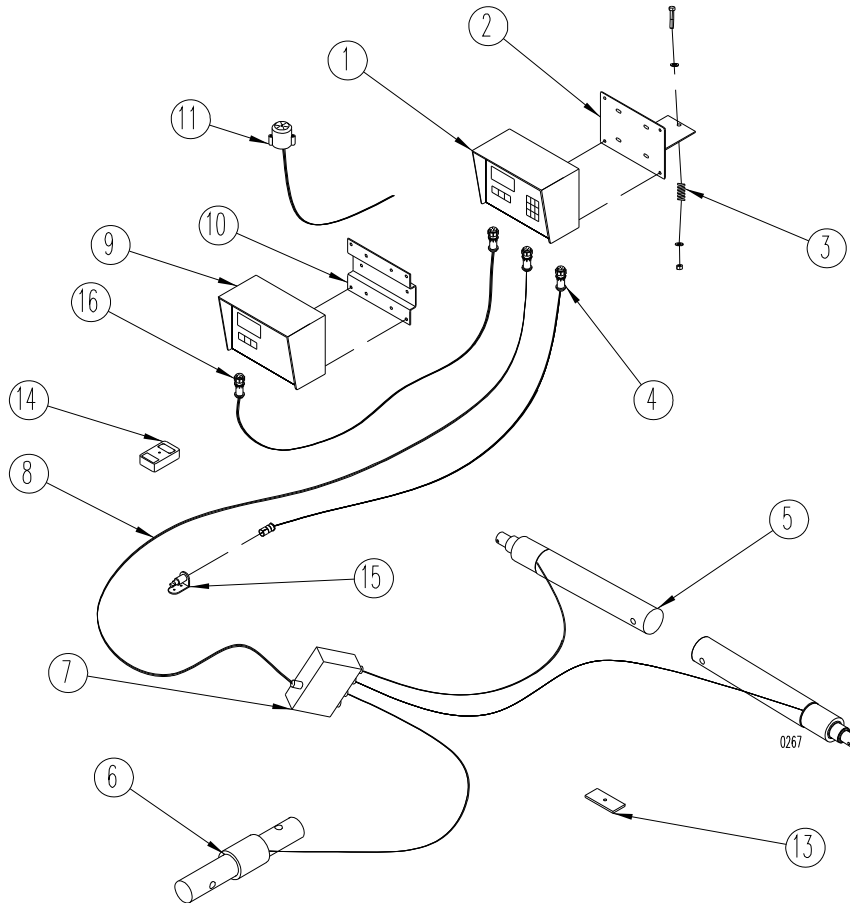
<sup>A</sup>:Splined Shaft No Longer Available Must Order Yoke Half 174-997 Along With Shaft.

## Gearbox Parts (Comer)



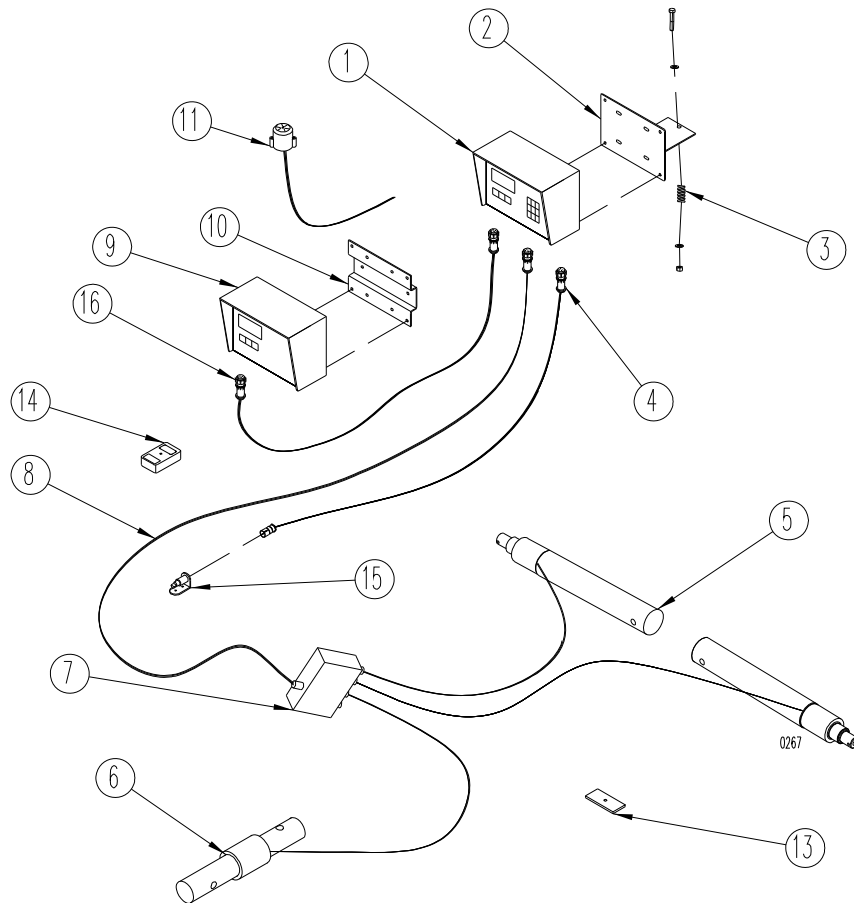
REF	PART NO	QTY	DESCRIPTION
	174-743	1	GEARBOX ASSEMBLY, 1.93:1
1	174-887	1	Casting Assembly
2	174-888	1	Crown Wheel
3	174-889	1	Key, 14MM x 9MM x 45MM
4	174-890	2	Snap Ring
5	174-891	2	Oil Seal 45MM x 85MM x 10MM
6	174-892	1	Shaft
7	174-893	2	Bearing, 30209
8	174-894	2	Shim, 84.7MM
9	174-895	1	Shim, 51.5MM
10	174-896	1	Bearing, 30308
11	174-897	1	Shaft
12	173-332	1	Bearing, 30208
13	174-898	1	Seal, Double Lip, 45MM x 80MM x 10MM
14	174-899	1	Cover
15	174-900	6	Bolt, M8 x 25MM 8.8
16	174-901	1	Pinion, Z15 M6,9
17	174-902	1	Nut, M30 x 1.5MM
18	174-903	1	Cotter Pin, B4 x 55MM
19	174-904	2	Plug, 1/2" Gas
20	174-905	1	Oil Fill/Vent Plug 1/2"

**Scale Parts**



REF	P/N	QTY	DESCRIPTION
1	172-128	1	Digi-Star Model EZ-2000 Basic Indicator
	172-800	1	Digi-Star Model EZ-View 2000 Indicator, 1.7" Display
	172-500	1	Digi-Star Model EZ-3200 Indicator
	174-502	1	Digi-Star Model EZ-3200 Indicator (with serial port)
	172-130	1	Digi-Star Model EZ-3200V Indicator
	174-501	1	Digi-Star Model EZ-3200V Indicator (with serial port)
	173-225	1	Weigh-Tronix Model 615 Basic Indicator
	173-226	1	Weigh-Tronix Model 615 Basic Indicator, 2" Display
	173-227	1	Weigh-Tronix Model 715 Indicator
	174-503	1	Weigh-Tronix Model 715 Indicator (with port)
	173-228	1	Weigh-Tronix Model 1015 Indicator
	174-504	1	Weigh-Tronix Model 1015 Indicator (with port)
2	101-835	1	Indicator Mount; Mtg. Hrd: 3/8" x 2"B, FW, LN
3	170-238	1	Compression Spring
4	172-354	1	Power Cord Assy
5	174-759	2	Weigh Bar, Spindle, 3 3/4"; Mtg. Hrd: 5/8" x 5 1/2"GRD 5 B, LN
6	174-763	1	Weigh Bar, Hitch, 2 1/2"; Mtg. Hrd: 3/4" x 4 1/2"GRD 8 B, LN
7	103-052	1	Junction Box W/15' Cable; #10 x 1" SMS (2EA)
8	173-156	1	15' Replacement Junction Box Cable
	172-165	1	30' Junction Box Extension Cable (not shown)
	172-166	1	10' Junction Box Extension Cable (not shown)

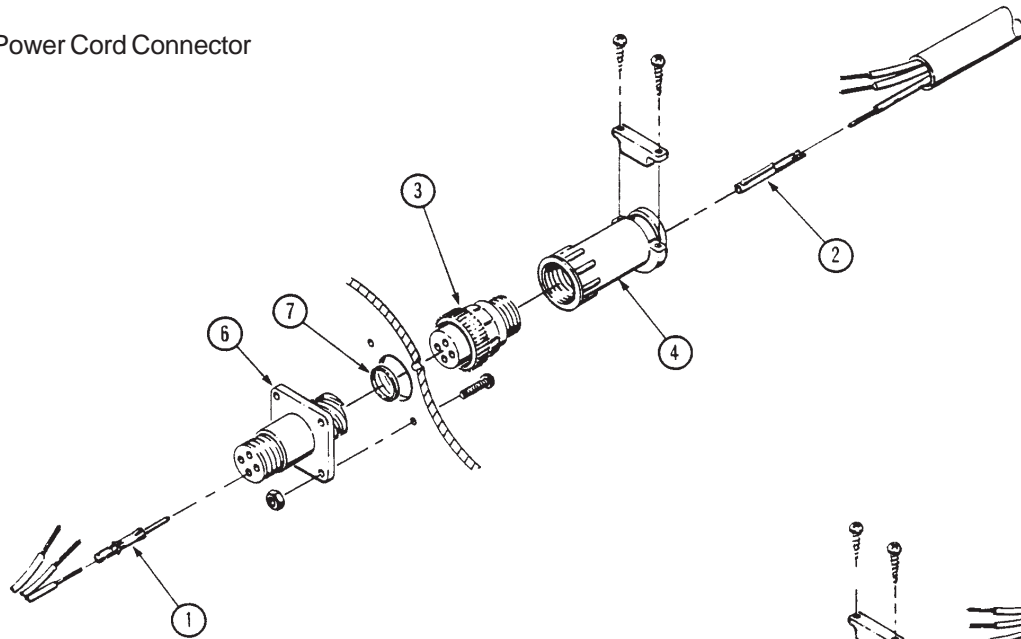
## Scale Parts



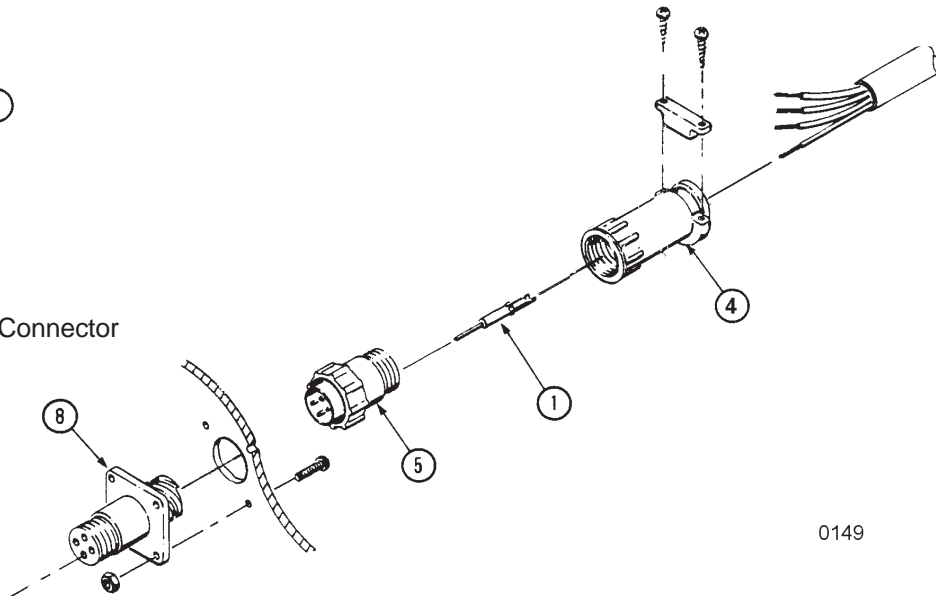
REF	P/N	QTY	DESCRIPTION
<b>Optional Items:</b>			
9	172-803	1	Digi-Star RD 2000 Remote, 1" Display w/ 25' Cord
	172-801	1	Digi-Star RD 2000V Remote, 1.7" Display w/ 25' Cord
	172-804	1	Digi-Star RD 2000 Remote, 1" Display w/ Transmitter & 25' Cord
	172-802	1	Digi-Star RD 2000V TR Remote, 1.7" Display w/ Transmitter & 25' Cord
	174-505	1	Weigh-Tronix 712 Remote, 1" Display w/ 30' Cord
	174-506	1	Weigh-Tronix 712XL Remote, 2" Display w/ 30' Cord
	174-507	1	Weigh-Tronix 1012 Remote, 1" Display w/ 30' Cord
10	134-409	1	Remote Indicator Mount, Mtg. Hrd: 5/16" x 3/4"B, LW, Nut (2EA), 1/4" x 3/4"B, FW, LW, Nut (2EA)
11	101-917	1	Digi-Star Alarm Horn Assembly Mtg. Hrd: #6 x 3/4"B, LW, Nut (2EA)
	101-918	1	Weigh-Tronix Alarm Horn Assembly Mtg. Hrd: #6 x 3/4" B, LW, Nut (2EA)
	171-380	2	Battery Terminals (Not Shown)
13	140-679	1	Battery Hold-Down; Mtg. Hrd: 5/16" x 1 1/4"B, FLN
14	172-143	1	Digi-Star hand held transmitter, Used With EZ210, EZ320 and EZ150 Models only. <i>(Installed Receiver is Required)</i>
	172-350	1	Weigh-Tronix Hand Held Transmitter <i>(Installed Receiver is Required)</i>
	174-926	1	Digi-Star Hand Held Transmitter, Used With RD2000, RD2000V, EZ3200, and EZ3200V <i>(Installed Receiver is Required)</i>
15	170-415	1	Plug - Tractor Mount
16	174-719	1	EZ-R Remote Indicator Cord
<b>Service Tools:</b>			
	172-386		Precision Calibrator For Scale Indicators
	171-960		Cord Splice Kit

**Scale Connector and Repair Parts (Digi-Star & Weightronics)**

Power Cord Connector



Junction Box Cord Connector



0149

REF	PART NUMBER	QTY	DESCRIPTION
1	173-211	4	Contact Pin
2	173-212	4	Contact Socket
	173-216	1	Pin Extraction Tool ( <i>not shown</i> )
3	173-213	1	Power Cord Connector
	174-923	1	Nut, Power Cord
4	173-214	1	Power Cord Strain Relief
5	173-215	1	Junction Box Cord Connector
	174-923	1	Nut, Power Cord
6	173-217	1	Power Connector Chassis
7	173-218	1	Seal for Power Connector Chassis
8	173-219	1	Weigh Bar Connector Chassis

## Decal and Paint List

The following decals are listed below for your convenience.  
Use the operator's manual for decal location and part number ordering.

PART NUMBER	QTY	DESCRIPTION
174-781	1	Complete Decal Set
170-849	2	WARNING, Stay Clear Of Power Driven Parts
171-712	1	Retighten Setscrews...
171-820	2	DANGER, Rotating Auger Inside
171-911	1	CAUTION, Operating Precautions
171-913	1	WARNING, Do Not Operate Unless Shields Are In Place
171-947	2	DANGER, Do Not Hand Load
174-686	5	Red Reflector
174-687	3	Amber Reflector
171-786	1	DANGER, Keep Away, Rotating Driveline
172-820	1	CAUTION, Lifting Instructions
172-883	1	Oil Level Plug
173-040	1	CAUTION, PTO Operation
173-078	1	DANGER, Shield Missing
170-893	1	SMV
172-810	1	Patent Pending
174-792	1	Notice: Upon Initial Use...
173-041	1	Shearbolt Adjustment
173-448	8'	Black Stripe
174-808	1	Door Gauge
174-514	2	Knight
174-799	2	Verti-Maxx
170-490	1	Reduce Engine RPM...
174-786	2	5060
171-609	1	CAUTION, Do Not Exceed 1000 RPM...

### Power Chute and Slide tray Decals:

171-914	2	WARNING, Stay Clear of Chute...
174-687	1	Amber Reflector
174-686	1	Red Reflector

### PTO Driveline Decals:

171-550	1	DANGER - Rotating Driveline
171-799	1	DANGER - Shield Missing
171-609	1	Do Not Exceed 1000 RPM

### Paint:

170-366	Knight Yellow - Aerosol Can
170-812	Knight Yellow - Quart Can
170-813	Knight Yellow - Gallon Can

**Hardware Part Number Listing****HEX HEAD BOLTS**

Size	Part No
1/4 x 1/2	173-279
1/4 x 3/4	170-803
1/4 x 7/8	171-094
1/4 x 1	170-310
1/4 x 1-1/2	170-068
1/4 x 2	172-986
1/4 x 2 (Grade 8)	175-073
1/4 x 2-3/4	171-203
1/4 x 3	171-403
1/4 x 3-1/2	173-640
1/4 x 4	173-505
5/16 x 5/8	170-532
5/16 x 3/4	170-262
5/16 x 3/4 (Stainless steel)	174-787
5/16 x 7/8	170-256
5/16 x 1	170-027
5/16 x 1-1/4 (Full thread)	170-188
5/16 x 1-1/2	170-372
5/16 x 1-3/4	170-263
5/16 x 2	172-987
5/16 x 2-1/2	170-369
5/16 x 3	170-295
5/16 x 3-1/4	171-639
5/16 x 3-1/2	173-748
5/16 x 4	170-293
5/16 x 4-1/2	170-294
5/16 x 5 (Grade 8)	172-983
5/16 x 5-1/2 (Grade 8)	172-952
3/8 x 3/4	170-439
3/8 x 3/4 (Stainless steel)	174-788
3/8 x 7/8	170-268
3/8 x 7/8 (soc. hd.capscrew)	172-044
3/8 x 1	170-054
3/8 x 1-1/4	170-005
3/8 x 1-1/4 (Stainless steel)	174-917
3/8 x 1-1/2	170-368
3/8 x 1-3/4	172-383
3/8 x 2	170-245
3/8 x 2-1/4	170-320
3/8 x 2-1/2	170-257
3/8 x 2-1/2 (Full thread)	170-128
3/8 x 2-1/2 (Lag)	171-775
3/8 x 3	170-380
3/8 x 3-1/2	170-292
3/8 x 4	170-877
3/8 x 4-1/4 (Black oxide)	171-813
3/8 x 4-1/2	170-519
3/8 x 5	170-493
3/8 x 5-1/2	174-196
3/8 x 5-1/2 (Full thread)	170-593
3/8 x 6	174-304
3/8 x 6-1/2	171-291
3/8 x 7	172-587
7/16 x 3/4	170-265
7/16 x 1	170-032
7/16 x 1-1/4	170-354
7/16 x 1-1/4 (Grade 8)	174-216
7/16 x 1-1/2	170-059
7/16 x 2	170-356
7/16 x 2-1/2	170-379
7/16 x 3	170-270
7/16 x 5-1/2	170-377
7/16 x 6	170-378
1/2 x 3/4	171-252
1/2 x 1	170-149
1/2 x 1-1/4	170-373

1/2 x 1-1/2	170-002
1/2 x 1-1/2 (Grade 8)	172-951
1/2 x 1-3/4	171-774
1/2 x 2	171-802
1/2 x 2-1/4	172-387
1/2 x 2-1/2	170-885
1/2 x 2-1/2 (Full thread)	171-099
1/2 x 2-3/4	172-007
1/2 x 3	170-168
1/2 x 3-1/2	170-167
1/2 x 3-1/2 (Grade 8)	172-950
1/2 x 4	173-111
1/2 x 4 (Full thread)	171-509
1/2 x 5	171-412
1/2 x 6	173-506
1/2 x 6 (Grade 8)	174-944
1/2 x 6-1/2	173-711
1/2 x 7	174-328
1/2 x 7-1/2	175-107
1/2 x 8-1/2	170-504
1/2 x 11	170-506
9/16 x 1	173-699
9/16 x 1-1/4	173-700
9/16 x 1-1/2	173-701
9/16 x 2	172-219
5/8 x 1	171-087
5/8 x 1-1/4	171-366
5/8 x 1-1/2	170-153
5/8 x 1-3/4 (Full thread)	170-030
5/8 x 2	170-009
5/8 x 2 (Full thread)	171-772
5/8 x 2-1/4	173-009
5/8 x 2-1/2	172-381
5/8 x 2-1/2 (Full thread)	170-129
5/8 x 2-3/4	172-356
5/8 x 3	170-258
5/8 x 3-1/2	170-038
5/8 x 4	170-371
5/8 x 4-1/2	170-067
5/8 x 5	170-065
5/8 x 5-1/2	172-421
5/8 x 6	170-381
5/8 x 6-1/2	173-777
5/8 x 7-1/2	173-019
5/8 x 9-1/2	171-039
3/4 x 1-1/2	173-507
3/4 x 2	171-768
3/4 x 2 (Full thread)	170-058
3/4 x 2 (Grade 8)	171-877
3/4 x 2-1/4	171-275
3/4 x 2-1/2	170-374
3/4 x 2-1/2 (Grade 8)	175-055
3/4 x 3	170-014
3/4 x 3 UNF	173-776
3/4 x 3-1/2	170-195
3/4 x 3-1/2 (Grade 8)	171-899
3/4 x 4	170-419
3/4 x 4 (Grade 8) UNF	173-579
3/4 x 4-1/2	170-846
3/4 x 4-1/2 (Grade 8)	173-039
3/4 x 4-1/2 (Grade 8) UNF	173-588
3/4 x 5	173-508
3/4 x 5 UNF	173-510
3/4 x 5-1/2 (Grade 8) UNF	173-514
3/4 x 6	171-116
3/4 x 6 UNF	173-511
3/4 x 6 (Grade 8)	173-231
3/4 x 7	173-745

3/4 x 7 UNF	173-747
3/4 x 7-1/2	175-004
3/4 x 8	173-509
7/8 x 2-1/4	172-892
7/8 x 3	172-002
7/8 x 3-1/2	173-020
7/8 x 4	173-299
7/8 x 4 UNF	171-092
7/8 x 6-1/2	173-774
7/8 x 7	173-749
7/8 x 7 UNF	174-097
7/8 x 8	173-750
7/8 x 8 UNF	173-515
1 x 3-1/2	173-021
1 x 4	175-119
1 x 4 (Grade 8)	175-248
1 x 7 UNF	173-516
1 x 8	174-723
1 x 8 (grade 8) UNF	173-713
1-1/4 x 4-1/2 (grade 8)	175-003
M8 x 16MM (Grade 8.8)	174-610
M8 x 20MM (Grade 8.8)	175-193
M8 x 25MM (Grade 8.8)	174-900
M10 x 22MM (Grade 8.8)	175-016
M10 x 25MM (Grade 8.8)	173-344
M12 x 25MM (Grade 8.8)	171-566
M12 x 35MM (Grade 8.8)	175-020
M12 x 40MM (Grade 12.9)	175-190
M12 x 45MM (Grade 10.9)	174-911
M14 x 30MM (Grade 8.8)	173-518
<b>SELF TAPPING SCREW</b>	
1/4 x 3/4	174-874
<b>CARRIAGE BOLTS</b>	
1/4 x 1-1/4 (Grade 2)	170-311
1/4 x 1-1/2 (Grade 2)	170-355
1/4 x 2 (Grade 2)	170-299
1/4 x 2-1/2 (Grade 2)	171-394
1/4 x 2-3/4 (Grade 2)	170-508
1/4 x 3	170-509
5/16 x 1 (Grade 2)	170-370
5/16 x 1-1/2 (Grade 2)	170-296
5/16 x 2-1/2 (Grade 2)	171-395
5/16 x 5-1/2 (Grade 2)	170-494
3/8 x 3-1/2 (Grade 2)	171-283
3/8 x 4-1/2 (Grade 2)	170-191
3/8 x 5 (Grade 2)	170-495
3/8 x 6-1/2 (Grade 2)	171-174
3/8 x 8 (Grade 2)	170-297
3/8 x 13 (Grade 2)	170-298
3/8 x 13-1/2 (Grade 2)	170-300
1/2 x 1-1/2 (Grade 5)	174-918
1/2 x 6-1/2 (Grade 2)	171-098
1/2 x 9 (Grade 2)	171-255
5/8 x 2	175-110
5/8 x 2-1/2 (Grade 5)	174-790
<b>PLOW BOLTS</b>	
5/8 x 2	174-767
3/4 x 2-1/2	174-948
<b>TRUSS HEAD BOLTS</b>	
#6-32 x 3/4	172-416
#6-32 x 1	173-079
#8-32 x 1-1/2	171-210
#10-32 x 3/4	171-604
#10-32 x 1	172-882
1/4 x 3/4	170-193
1/4 x 1	170-194
5/16 x 1	170-117

## Hardware Part Number Listing

SET SCREWS (Socket Head)(Cup Point)	3/4 (Grade 8) UNF .....	173-578	COTTER PINS	1/16 x 1/2 .....	170-992
1/4 x 1/4 .....	7/8 .....	173-069	3/32 x 3/4 .....	170-364	
1/4 x 5/8 .....	7/8 UNF .....	171-093	1/8 x 1 .....	170-045	
5/16 x 1/4 .....	1 .....	174-928	1/8 x 1-1/4 .....	170-033	
5/16 x 5/16 .....	1 UNF .....	170-527	1/8 x 1-1/2 .....	170-382	
5/16 x 5/16 UNF .....	M45 x 1.5MM .....	175-199	5/32 x 1 .....	170-421	
5/16 x 3/8 UNF .....	M50 x 1.5MM .....	175-197	5/32 x 1-1/2 .....	170-236	
5/16 x 1/2 .....	JAM NUTS		5/32 x 3 .....	170-135	
5/16 x 5/8 UNF .....	1/4UNF .....	171-386	3/16 x 1-1/4 .....	170-991	
5/16 x 1 (Sq hd) .....	5/16 .....	173-521	3/16 x 2 .....	170-115	
5/16 x 1-1/2 .....	3/8 .....	170-022	1/4 x 1-1/2 .....	170-521	
3/8 x 1/4 .....	7/16 .....	170-046	1/4 x 2 .....	170-056	
3/8 x 3/8 .....	1/2 .....	170-036	1/4 x 2-1/2 .....	173-961	
3/8 x 1/2 .....	5/8 .....	170-037	ROLLER CHAIN		
3/8 x 1/2 UNF .....	3/4 .....	170-035	CONNECTOR LINKS		
3/8 x 3/4 .....	1 .....	174-927	#50 .....	170-088	
3/8 x 3/4 (Sq hd) .....	FLAT WASHERS		#50-2R .....	170-094	
3/8 x 1 .....	#10 .....	171-525	#60 .....	170-089	
3/8 x 1 (Sq hd) .....	1/4 .....	170-301	#60-2R .....	170-095	
3/8 x 1 (Sq hd) (Dog pt) .....	1/4 Heavy .....	171-083	#60H .....	171-102	
7/16 x 7/16 .....	1/4 Fender .....	173-672	#80 .....	170-090	
7/16 x 1 (Sq hd) .....	5/16 .....	170-127	#80H .....	170-821	
1/2 x 5/8 .....	5/16 Fender .....	173-811	#100 .....	170-091	
1/2 x 1 .....	3/8 .....	170-244	#100H .....	171-969	
1/2 x 1-1/4 (half dog point) .....	3/8 Heavy .....	170-302	#120 .....	170-092	
5/8 x 5/8 .....	3/8 Aluminum .....	173-900	#140 .....	170-093	
3/4 x 3/4 (Sq hd) (Dog pt) ..	7/16 .....	170-138	#140H .....	173-552	
HEX NUTS	1/2 .....	170-040	#160 .....	170-888	
#6-32 .....	1/2 (Grade 8) .....	172-984	OFFSET LINKS		
#10-32 .....	9/16 .....	173-693	#50 .....	170-096	
1/4 .....	5/8 .....	170-066	#50-2R .....	170-102	
5/16 .....	5/8 (Grade 8) .....	173-581	#60 .....	170-097	
3/8 .....	3/4 .....	170-015	#60-2R .....	170-103	
7/16 .....	7/8 .....	173-298	#60H .....	171-103	
7/16 (Grade 8) UNF .....	7/8 Heavy .....	170-131	#80 .....	170-098	
1/2 .....	1 .....	170-122	#80H .....	170-820	
9/16 .....	1-1/4 .....	170-928	#100 .....	170-099	
5/8 .....	LOCK WASHERS		#100H .....	172-145	
3/4 .....	#6 .....	172-417	#120 .....	170-100	
3/4 UNF .....	#10 .....	171-605	#140 .....	170-101	
3/4 (Grade 8) UNF .....	1/4 .....	170-124	#140H .....	173-553	
7/8 .....	5/16 .....	170-118	#160 .....	170-887	
1 .....	3/8 .....	170-006	ROLLER LINKS		
1 UNF .....	7/16 .....	170-061	#50 .....	171-415	
1 (Grade 8) .....	1/2 .....	170-003	#60 .....	171-416	
1 (Grade 8) UNF .....	9/16 .....	173-692	#80 .....	171-417	
1-1/8 UNF .....	5/8 .....	170-010	#80H .....	170-795	
1-1/4 UNF .....	3/4 .....	170-016	#100 .....	171-418	
1-1/4 (Grade 8) .....	3/4 External Tooth .....	174-793	#100H .....	172-146	
M8 x 1.25MM .....	7/8 .....	172-003	#120 .....	171-419	
M30 x 1.5MM .....	1 .....	171-021	#140 .....	171-420	
M50 x 1.5MM .....	1-1/4 .....	175-005	#160 .....	171-421	
LOCK NUTS	ZERKS				
#6-32 .....	1/8 NPT .....	170-865			
#10-32 .....	1/8 NPT-45 Deg .....	170-864			
1/4 .....	1/8 NPT-65 Deg .....	170-215			
5/16 .....	1/8 NPT-90 Deg .....	170-866			
3/8 .....	3/16 drive in .....	174-124			
7/16 .....	1/4-28 .....	170-023			
1/2 .....	1/4-28 - 45 Deg .....	170-148			
1/2 UNF .....	1/4-28 - 90 Deg .....	170-049			
1/2 (Grade 8) .....	1/4 NPT .....	170-277			
9/16 .....	1/4 NPT - 45 Deg .....	174-130			
5/8 .....					
3/4 .....					
3/4 (Grade 8) .....					

**Part Number Index**

101-227 ...10	140-611 ...4	170-075 ...15	171-550 ...18, 19, 25
101-231 ...10	140-618 ...7	170-110 ...11, 13	171-585 ...6
101-736 ...12	140-626 ...8	170-120 ...15	171-609 ...25
101-791 ...16	140-646 ...7	170-122 ...10, 14	171-610 ...4
101-835 ...22	140-647 ...4	170-125 ...4	171-611 ...4
101-891 ...16	140-648 ...4	170-152 ...6	171-612 ...4
101-917 ...23	140-663 ...7	170-153 ...26	171-613 ...4
101-918 ...23	140-664 ...7	170-167 ...26	171-614 ...4
102-307 ...4	140-679 ...23	170-233 ...8	171-615 ...4
102-437 ...4	140-722 ...7	170-235 ...9, 11, 16	171-616 ...5
102-439 ...4	140-745 ...11	170-238 ...15, 22	171-653 ...5
103-052 ...22	140-746 ...12	170-366 ...25	171-666 ...11, 13
103-666 ...7	140-781 ...6	170-369 ...18, 19	171-668 ...11, 15
103-667 ...7	140-786 ...6	170-415 ...23	171-712 ...25
103-669 ...7	140-787 ...12	170-465 ...16	171-768 ...26
103-670 ...7	140-789 ...17	170-471 ...8	171-782 ...15
103-672 ...6	140-790 ...16	170-490 ...25	171-786 ...25
103-673 ...8	140-791 ...16	170-493 ...6	171-799 ...18, 19, 25
103-674 ...4	140-792 ...16	170-504 ...6, 26	171-81 ...4
103-678 ...4	140-824 ...9	170-506 ...26	171-820 ...25
103-697 ...7	140-896 ...11, 12	170-509 ...4	171-847 ...16
103-699 ...7	140-897 ...12	170-513 ...16	171-877 ...26
103-702 ...11	140-902 ...11	170-593 ...13	171-883 ...11, 13
103-703 ...10	140-937 ...11	170-679 ...20	171-899 ...26
103-704 ...12	140-938 ...12	170-812 ...25	171-911 ...25
103-705 ...12	141-020 ...7	170-813 ...25	171-913 ...25
103-706 ...10	141-063 ...7	170-849 ...25	171-914 ...25
103-755 ...10	141-114 ...7	170-859 ...11	171-919 ...4
103-756 ...12	141-130 ...6	170-893 ...25	171-932 ...11
103-757 ...13	141-134 ...7	170-920 ...5, 7	171-935 ...7
103-758 ...10	141-135 ...6	171-039 ...26	171-937 ...9, 11
103-761 ...9	141-204 ...13	171-087 ...26	171-940 ...12, 15
103-763 ...4	141-215 ...13	171-275 ...26	171-947 ...25
103-764 ...4	141-216 ...13	171-366 ...26	171-960 ...23
103-780 ...10	141-217 ...13	171-412 ...26	171-968 ...6
103-781 ...10	141-220 ...13	171-772 ...26	171-979 ...18, 19
103-827 ...13	141-284 ...6	171-008 ...11	171-989 ...7
103-828 ...14	141-412 ...6	171-030 ...8, 9, 12, 15	172-040 ...18, 19
103-829 ...13	141-415 ...7	171-136 ...12, 16	172-046 ...6
103-838 ...7	141-417 ...6	171-151 ...11, 15	172-110 ...17
103-843 ...14	141-422 ...15	171-178 ...13	172-128 ...22
103-875 ...15	141-462 ...13	171-186 ...12	172-130 ...22
103-890 ...14	141-466 ...6	171-194 ...15	172-143 ...23
103-907 ...4	141-608 ...12, 14	171-195 ...15	172-165 ...22
103-918 ...12, 15	142-827 ...7	171-202 ...8	172-166 ...22
130-394 ...14	170-009 ...26	171-259 ...10	172-193 ...6
133-942 ...11	170-014 ...26	171-260 ...10	172-207 ...18, 19
133-943 ...12	170-030 ...26	171-265 ...10	172-209 ...18, 19
133-952 ...10, 14	170-038 ...26	171-287 ...14	172-210 ...18, 19
134-389 ...11, 13	170-058 ...26	171-288 ...14	172-275 ...15
134-390 ...11	170-065 ...26	171-330 ...12, 15	172-324 ...16
134-395 ...10	170-067 ...26	171-410 ...6	172-350 ...23
134-409 ...23	170-129 ...26	171-414 ...11	172-354 ...22
135-692 ...7	170-195 ...26	171-425 ...16	172-356 ...26
136-415 ...6	170-258 ...26	171-426 ...16	172-361 ...20
136-444 ...9, 11, 15	170-374 ...26	171-427 ...12, 15	172-381 ...26
136-454 ...4	170-023 ...5	171-428 ...16	172-386 ...23
140-579 ...7	170-026 ...13	171-430 ...16	172-421 ...26
140-593 ...7	170-052 ...6	171-464 ...8	172-500 ...22

**Part Number Index**

172-800 ...22	174-506 ...23	174-894 ...21
172-801 ...23	174-507 ...23	174-895 ...21
172-802 ...23	174-514 ...25	174-896 ...21
172-803 ...23	174-577 ...5	174-897 ...21
172-804 ...23	174-673 ...17	174-898 ...21
172-810 ...25	174-674 ...17	174-899 ...21
172-820 ...25	174-675 ...17	174-900 ...21
172-822 ...7	174-686 ...25	174-901 ...21
172-883 ...25	174-687 ...25	174-902 ...21
172-913 ...7	174-719 ...23	174-903 ...21
172-999 ...5	174-724 ...17	174-904 ...21
173-001 ...5	174-725 ...17	174-905 ...21
173-002 ...5	174-743 ...6, 21	174-908 ...6
173-007 ...5	174-755 ...5	174-909 ...6, 18, 19
173-008 ...5	174-756 ...5	174-923 ...24
173-021 ...10, 14	174-757 ...5	174-925 ...6
173-031 ...5	174-759 ...5, 22	174-926 ...23
173-032 ...5	174-763 ...4, 22	174-927 ...10, 14
173-040 ...25	174-765 ...4	174-928 ...10, 14
173-041 ...25	174-769 ...7	174-967 ...19
173-077 ...17	174-771 ...8, 15	174-984 ...18
173-078 ...25	174-772 ...8	174-985 ...18, 19
173-150 ...20	174-775 ...17	174-986 ...18, 19
173-152 ...20	174-777 ...7	174-987 ...18, 19
173-153 ...20	174-781 ...25	174-988 ...18, 19
173-156 ...22	174-784 ...5, 7	174-989 ...18, 19
173-170 ...5	174-786 ...25	174-991 ...18, 19
173-171 ...5	174-792 ...25	174-992 ...18, 19
173-172 ...5	174-793 ...7	174-993 ...18, 19
173-173 ...5	174-799 ...25	174-994 ...18, 19
173-174 ...5	174-804 ...5	174-995 ...18, 19
173-211 ...24	174-805 ...6, 20	174-996 ...18
173-212 ...24	174-807 ...7	174-997 ...20
173-213 ...24	174-808 ...25	175-001 ...18
173-214 ...24	174-809 ...6	175-002 ...18, 19
173-215 ...24	174-822 ...8	175-054 ...6
173-216 ...24	174-843 ...8	175-059 ...19
173-217 ...24	174-850 ...20	175-060 ...19
173-218 ...24	174-851 ...20	175-061 ...19
173-219 ...24	174-852 ...20	181-036 ...7
173-220 ...12, 15	174-853 ...20	181-043 ...17
173-225 ...22	174-854 ...20	
173-226 ...22	174-855 ...20	
173-227 ...22	174-856 ...20	
173-228 ...22	174-857 ...20	
173-269 ...9	174-858 ...20	
173-270 ...9	174-859 ...20	
173-287 ...9	174-860 ...20	
173-332 ...21	174-861 ...20	
173-360 ...20	174-883 ...18	
173-409 ...20	174-884 ...6	
173-448 ...25	174-886 ...11	
173-483 ...8	174-887 ...21	
173-653 ...8	174-888 ...21	
174-501 ...22	174-889 ...21	
174-502 ...22	174-890 ...21	
174-503 ...22	174-891 ...21	
174-504 ...22	174-892 ...21	
174-505 ...23	174-893 ...21	