

Slinger Model 7710 Tow Type

SERVICE PARTS LISTING

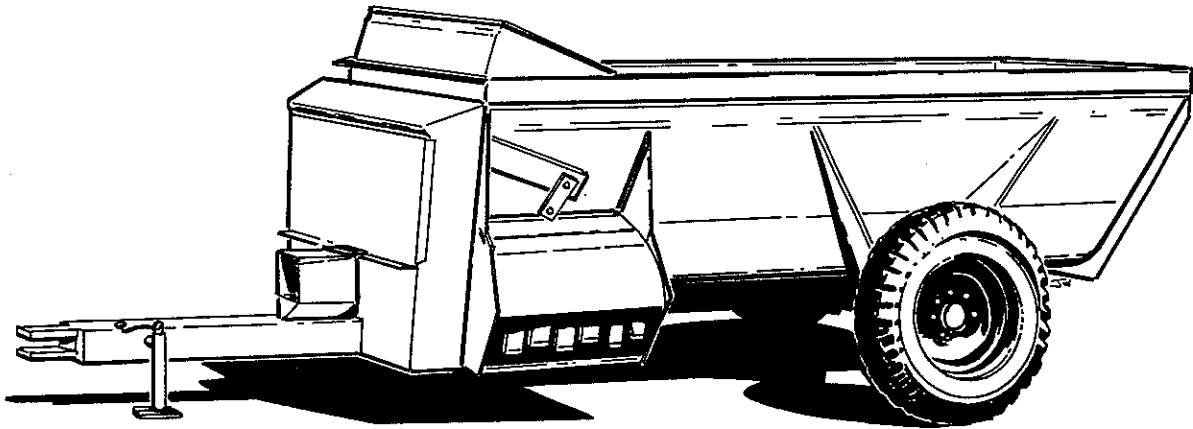


TABLE OF CONTENTS

Using This Listing.....	1
Front End Parts.....	2-5
Discharge Parts.....	6-7
Rear, Top & Auger Parts.....	8-9
Axle Parts.....	10
PTO Driveline & Friction Clutch.....	11
Decal & Paint List.....	12
Optional Kits.....	13
Flighting Terms & Dimensions.....	14
Hardware Listing.....	15-16

Catalog P/N 005480 R062992 Unit Serial Number: _____
Operator Instruction Manual For This Unit Is #005481

ABBREVIATIONS

7710-TOW

Assy	Assembly
A/R	As Required
B	Bolt
Brg	Bearing
BSN	Before Serial Number
BTM	Bottom
C Bolt	Carriage Bolt
Cttr	Cotter
CV	Constant Velocity (Joint)
Dia	Diameter
ea	Each
Eq or Equiv	Equivalent
FLN	Flanged Locknut
FW	Flat Washer
Ga	Gauge
Gr or Grd	Grade
Hd	Head
Hyd	Hydraulic
ID	Inside Diameter
Ill or Illus	Illustration
Ind	Indicator
KW	Keyway
LH	Left Hand
LW	Lock Washer
Mtg Hrd	Mounting Hardware
NC	National Coarse
NF	National Fine
OD	Outside Diameter
Pc(s)	Piece(s)
PD	Pitch Diameter
PTO	Power Takeoff (Shaft)
Q or Qty	Quantity
Reg Mach	Regular Machine
RH	Right hand
SN	Serial Number
Sprkt	Sprocket
Sq	Square
Std	Standard
UASN	Used After Serial Number
UBSN	Used Before Serial Number

USING THIS SERVICE PARTS LISTING

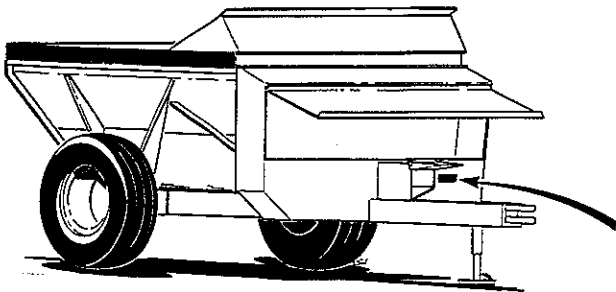
7710-TOW

This listing uses a number indentation system to specify the parts of an assembly. Any number which is indented to the right, indicates that it is a component of the item to the upper left. Example:

<u>Part no</u>	<u>Description</u>	<u>Qty</u>
uuu-uuu	Assembly A	2
vvv-vvv	Sub-Assembly B	3
	(Component of A)	
www-www	Component of B	5
xxx-xxx	Another Component of B	1
yyy-yyy	Sub-Assembly C	1
	(Component of A)	
etc.		

Using this system, the sub-assemblies and their components are included if an Assembly is ordered. Similarly, the components of a sub-assembly are included if a sub-assembly is ordered.

The quantity (qty) associated with an assembly, represents the number of times an assembly could be shown in the drawing. The sub-assembly quantity however, is the number of times a sub-assembly is used to build one assembly. Similarly, the component quantity refers to the number of times a given component is found in one sub-assembly.



Serial Number Location

Figure A

MODEL AND SERIAL NUMBER INFORMATION is located below the drive shielding (Fig. A). The model number, serial number and part number should be known when asking service personnel for parts.

If you cannot find the part you need, be as descriptive as possible when placing an order:

Sprockets: give the bore size, number of teeth, and number and size of keyways.

Roller chain: give the size of chain (stamped on the side of each link) and number of links.

Shafting: give the diameter, length, and number and size of keyways.

Hardware is generally not included with parts. If you need any hardware, check the size, the length, and the grade (Fig. B), then check the hardware list in this manual for the part numbers. All hex head bolts up to and including 7/16" diameter are grade 5, and nuts are grade B unless otherwise stated.

The hardware listing also includes listings for zerks, cotter pins, set screws, and roller chain links.

The illustrations in this manual are meant to be used only as a guide for identifying parts and locating their relative positions.

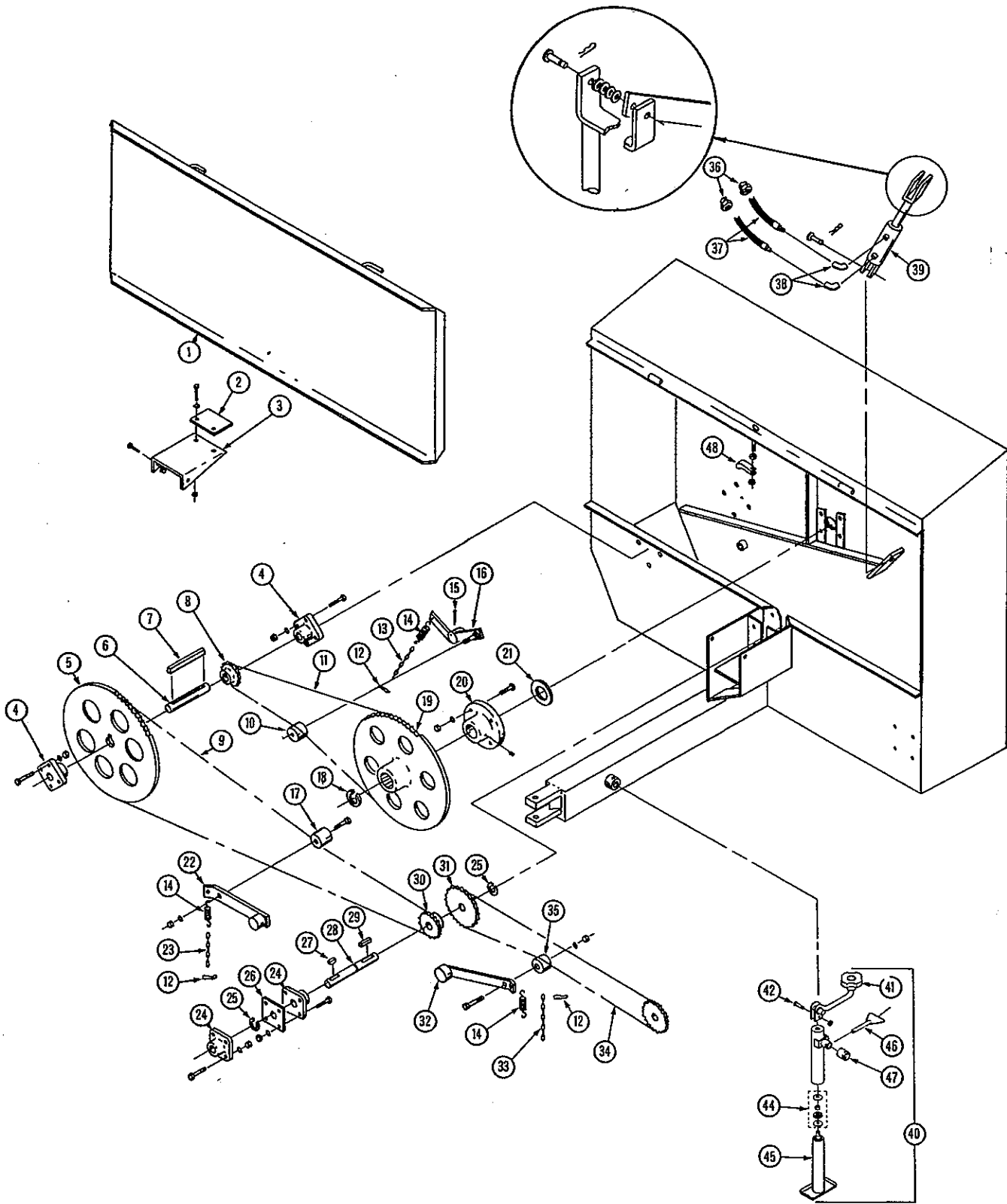
Bolt Grades



Bolt Head Grade Markings
Figure B

FRONT END PARTS

7710-TOW



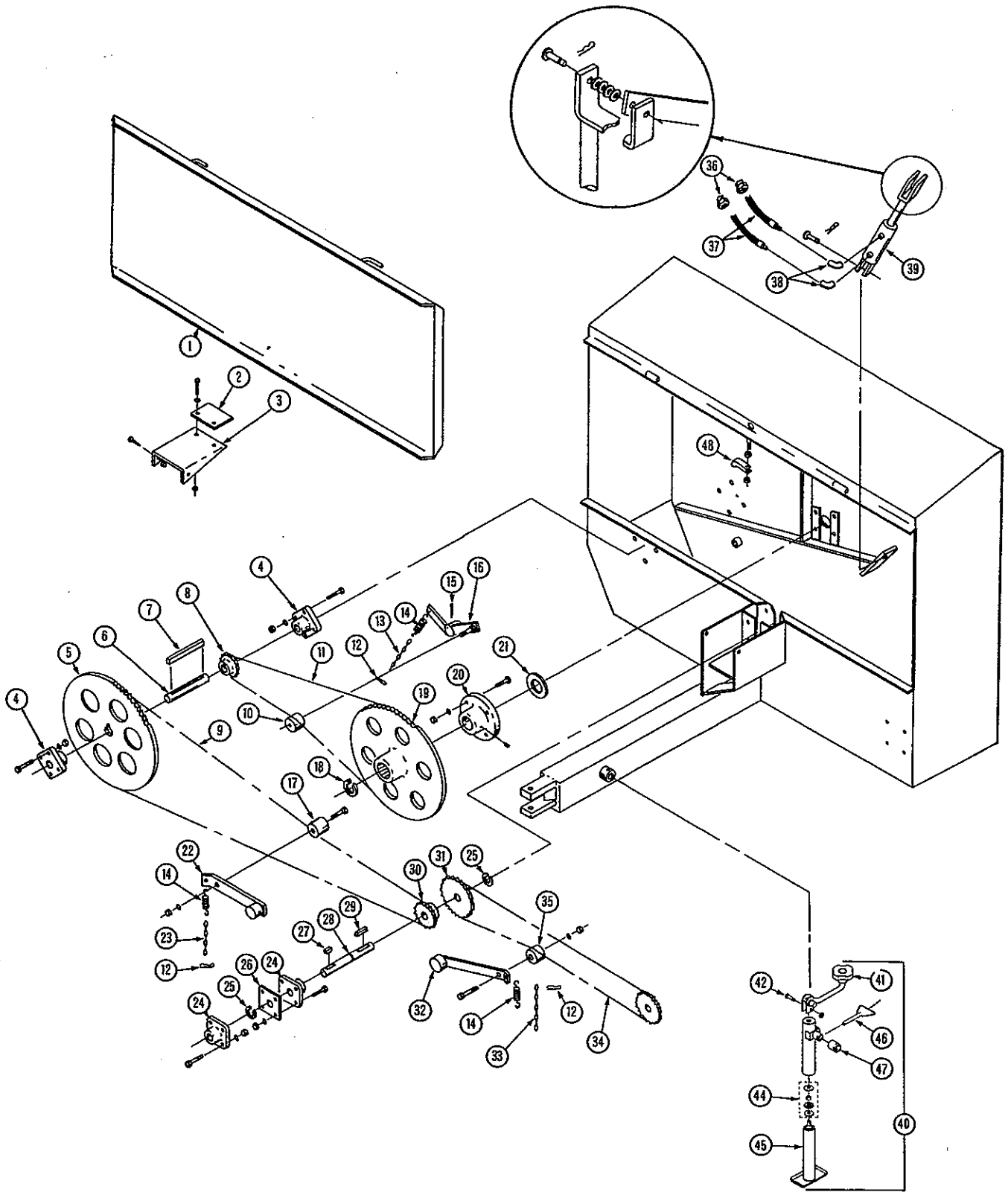
FRONT END PARTS

7710-TOW

REF	PART NO	QTY	DESCRIPTION
1	101-662	1	Front Shield Assembly
2	133-539	1	Shield Belt
			Mtg Hrd: 5/16" x 3/4" Bolt, FW & FLN (2 ea)
3	133-538	1	PTO Shield Cover Mtg Hrd: 5/16" x 3/4" Bolt, FLN & 171-393 Belleville Washer (2 ea)
4	170-008	2	Brg; 2", FYH UCF X10-32E L-III Or Equiv Mtg Hrd: 5/8" x 1-3/4" Tap Bolt, LW & Nut (3 & 4 ea)
5	133-396	1	Sprocket; 60-B-120, 2" Bore, 1/2" KW
6	133-449	1	Shaft
7	171-695	1	Key; 1/2" x 4-1/2"
8	131-352	1	Sprocket; 100-B-12, 2" Bore, 1/2" KW
9	171-697	1	Roller Chain; 60-1-140 Pitch, W/Connector Link
10	134-179	1	Tightener Block Mtg Hrd: 3/4" Jam Nut
11	171-699	1	Roller Chain; 100-1-71 Pitch, W/Connector Link
12	170-800	3	Clinch Pin
13	170-845	1	Machine Chain; #4 x 17 Link
14	172-006	3	Spring; 4-5/8" Long
15	170-135	1	Cotter Pin; 5/32" x 3"
16	101-577	1	Chain Tightener Arm
17	134-178	1	Tightener Block
			Mtg Hrd: 1/2" x 2-1/4" Bolt, FW, LW & Nut
18	170-152	1	Snap Ring; 2-1/2", Truarc 5100-250 Or Equiv
19	133-595	1	Sprocket; 100-B-60, 2-1/2" Splined Bore
20	170-365	1	Bearing; 2-1/2", F-B22440E Or Equiv
			Mtg Hrd: 5/8" x 2" Bolt, LW & Nut
21	133-277	1	Seal; 2-1/2" ID
22	101-761	1	Chain Tightener Arm
23	170-518	1	Machine Chain; #4 x 30 Link
24	171-585	2	Bearing; 1-3/8", FYH NANF 207-22 Or Equiv
			Mtg Hrd: 1/2" x 1-3/4" Bolt, LW & Nut (4 ea)

FRONT END PARTS

7710-TOW



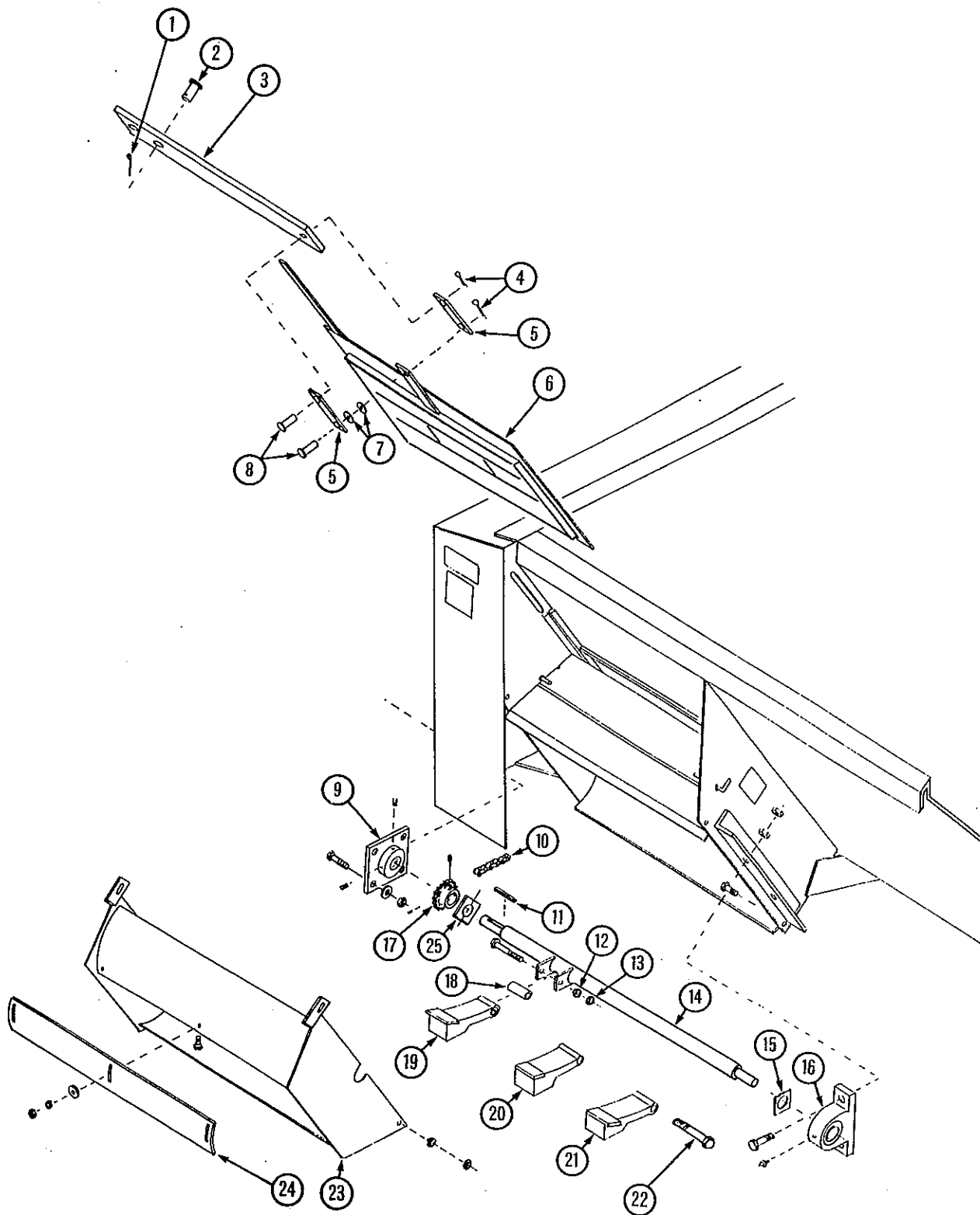
FRONT END PARTS

7710-TOW

REF	PART NO	QTY	DESCRIPTION
25	170-499	2	Snap Ring; 1-3/8", Truarc 5160-137 Or Equiv
26	133-316	1	Spacer
27	170-170	1	Woodruff Key; 3/8" x 1-1/4"
28	133-533	1	Input Shaft
29	170-052	1	Key; 3/8" x 2-1/8"
30	133-394	1	Sprocket; 60-B-13, 1-3/8" Bore, 3/8" KW
31	133-477	1	Sprocket; 60-B-27, 1-3/8" Bore, 3/8" KW
32	101-817	1	Chain Tightener Arm
33	170-479	1	Machine Chain; #4 x 9 Link
34	171-698	1	Roller Chain; 60H-1-78 Pitch, W/Connector Link
35	134-155	1	Tightener Block Mtg Hrd: 1/2" x 2-3/4" Bolt, FW, LW & Nut
36	170-235	2	1/2" To 3/8" Reducer Bushing
37	171-309	2	Hydraulic Hose Assembly; 1/4" x 132"
38	171-030	2	Swivel Connector; 3/8" - 90 Degrees
39	170-232	1	Hydraulic Cylinder; 2-1/2" x 8" (Seal Kit #170-464) Use 170-122 FW As Shown To Prevent Binding
40	170-984	1	Jackstand
41	170-386	1	Crank Assembly
42	171-860	1	Crank Pin (Includes "C" Washer)
44	170-397	1	Thrust Bearing Kit
45	171-941	1	Inner Tube Assembly (Includes Nut & Screw)
46	170-987	1	Pin And Chain Assembly
47	170-985	1	Mount Tube
48	171-782	1	Hose Clamp; Mtg Hrd: 5/16" Hex Nut And FLN

DISCHARGE PARTS

7710-TOW



DISCHARGE PARTS

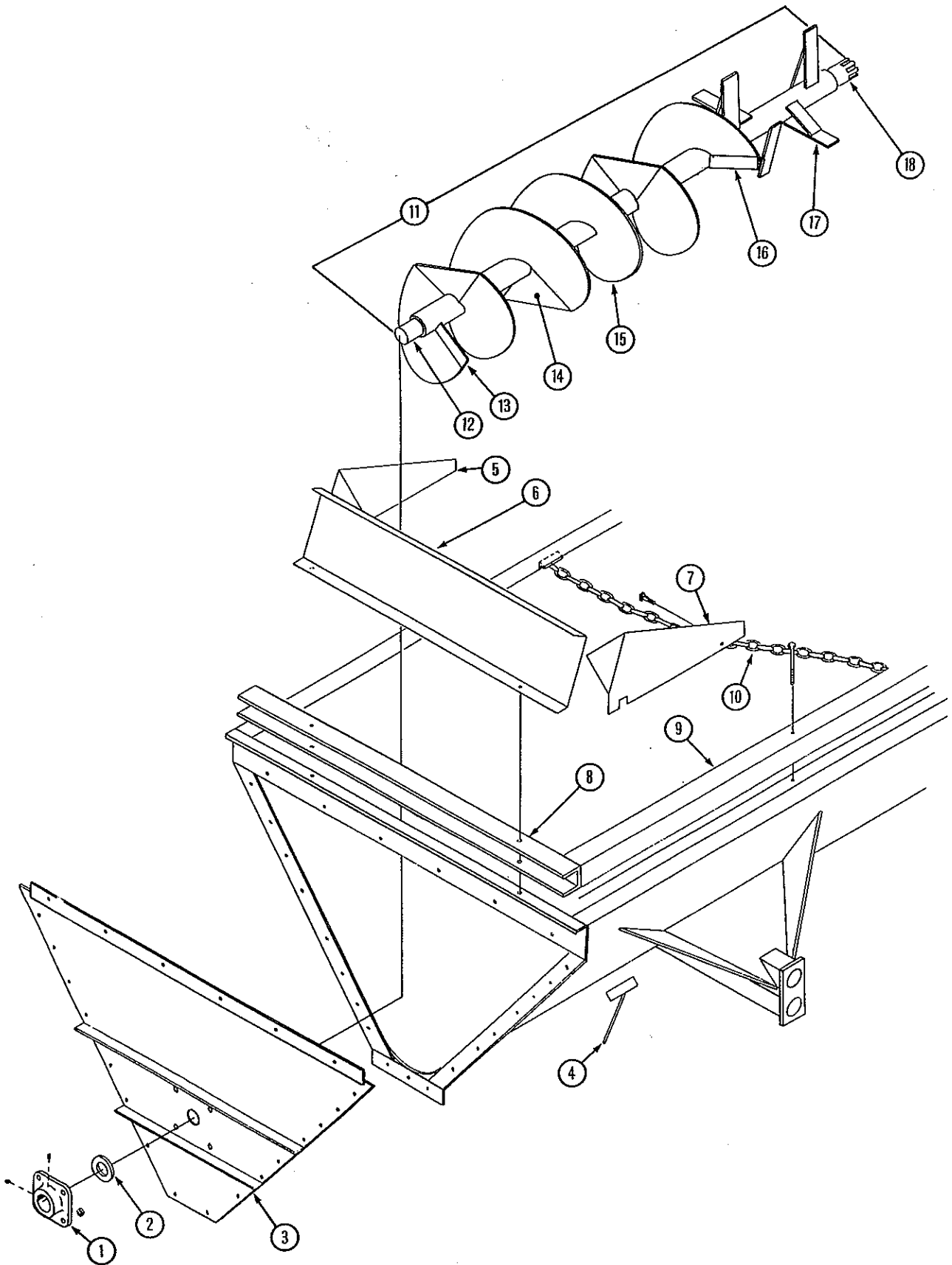
7710-TOW

REF	PART NO	QTY	DESCRIPTION
1	170-074	1	Hairpin Clip
2	170-073	1	Clevis Pin; 1" Dia
3	134-665	1	Pivot Bar
4	170-236	2	Cotter Pin; 5/32" x 1-1/2"
5	133-445	2	Door Linkage Bar
6	101-986	1	Discharge Door Assembly
7	170-066	2	Flat Washer; 5/8"
8	171-696	2	Clevis Pin; 5/8" x 2"
9	170-008	1	Bearing; 2", FYH UCF X10-32E L-III Or Equiv Mtg Hrd: 5/8" x 1-3/4" Tap Bolt, LW & Nut (4 ea)
10	171-698	1	Roller Chain; 60H-1-78 Pitch, W/Connector Link
11	170-835	1	Key; 1/2" x 1-1/2" Long
12	170-037	15	Jam Nut; 5/8"
13	170-031	15	Locknut; 5/8", Grade B
14	101-987	1	Hammer Shaft Assembly
15	133-604	1	Poly-Shaft Seal
16	171-586	1	Bearing; 2" Pillow Block, FYH NAP 211-32 L-III Mtg Hrd: 5/8" x 2-1/2" Bolt, FW, LN & JN (2 ea)
17	133-395	1	Sprocket; 60-B-18, 2" Bore, 1/2" KW
18	172-422	15	Hammer Sleeve
19	101-548 ^A	1	Front Hammer (Tip #133-299)
20	101-586 ^A	13	Main Hammer (Tip #133-298)
21	101-549 ^A	1	Rear Hammer (Tip #133-299) Use AWS E10018 Electrode Or Greater For Welding Replacement Tips
22	172-421	15	Bolt; 5/8" NC x 5-1/2", Hex Head Grade 5
23	101-985	1	Door Shroud Assembly; Mtg Hrd: 3/8" x 1" Bolt, LN (4 ea) & 3/8" Heavy FW (2 ea)
24	134-666	1	Shroud Visor Mtg Hrd: 5/16" x 1" Bolt, FW, LW & Nut (3 ea)
25	134-669	1	Poly-Shaft Seal; Mtg Hrd: 1/4" x 1" Bolt, FW, LN & 171-083 FW (1 ea.)

A: Use Stulz Manganese-XL or Equiv. Welding Electrodes for Hammer repair. Order Kit 300-030 - Quantity as required.

REAR, TOP & AUGER PARTS

7710-TOW



REAR, TOP & AUGER PARTS

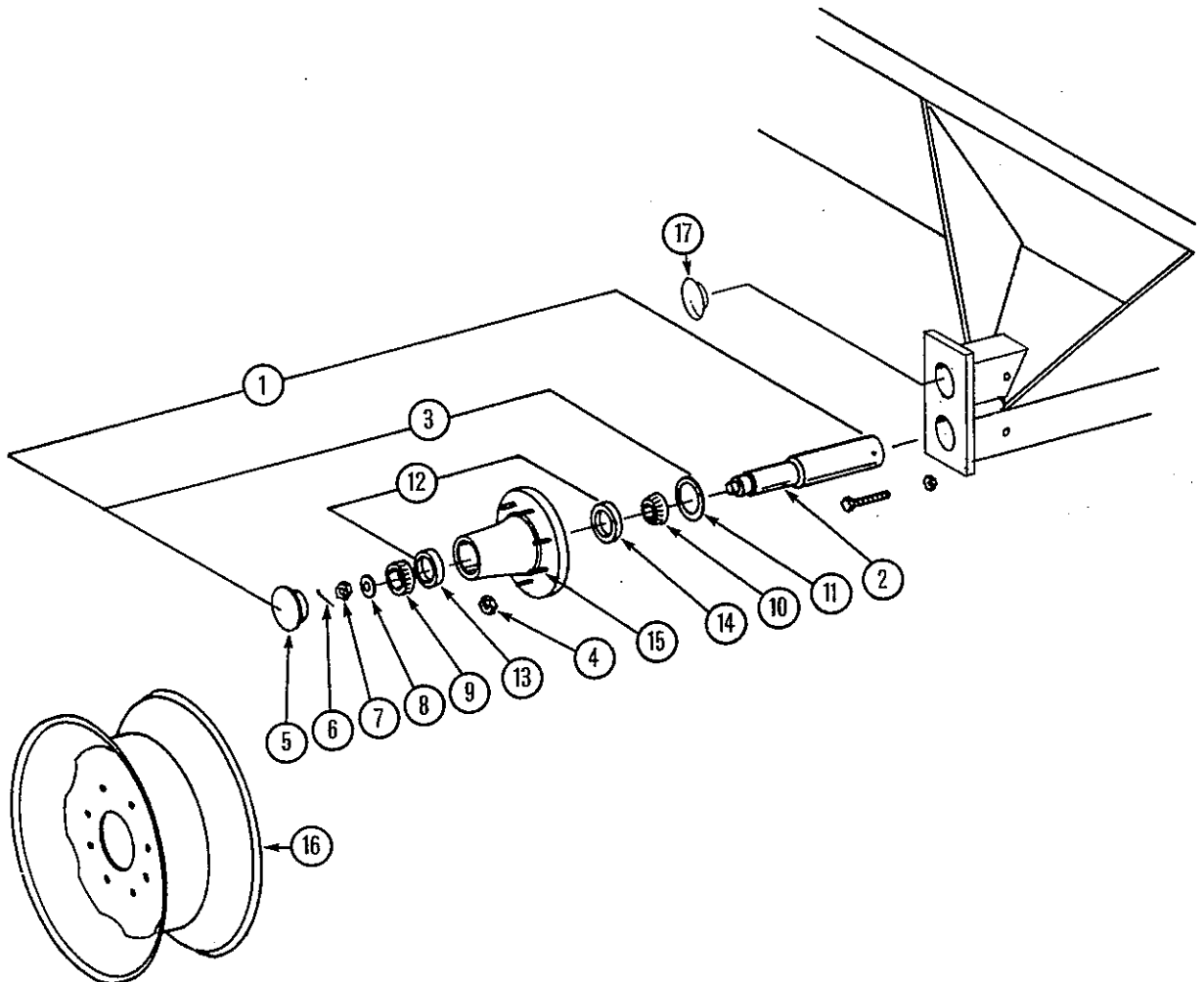
7710-TOW R101993

REF	PART NO	QTY	DESCRIPTION
1	170-008	1	Bearing; 2", FYH UCF X10-32E L-III Or Equiv Mtg Hrd: 5/8" x 2" Bolt, LW & Nut (4 ea)
2	133-376	1	Seal; 2" ID x 3-1/2" OD
3	101-571	1	Rear Panel Mtg Hrd: 5/16" x 3/4" Bolt, FLN (23 ea) & FW (17)
4	101-636	1	Cleaning Tool
5	133-556	1	Splash Guard Side (RH Front & LH Rear)
6	133-688	1	Splash Guard End Mtg Hrd: 5/16" x 1" Bolt, LW, Nut (6 ea) & FW (12)
7	133-557	1	Splash Guard Side (LH Front & RH Rear) Mtg Hrd: To Wood Rail: 3/8" x 3-1/2" C Bolt & Nut (4 ea) To Side Panel: 3/8" x 1" Bolt, LW & Nut (4 ea)
8	133-687	2	End Panel Extension Mtg Hrd: 5/16" x 1" Bolt, LW, Nut (2 ea), FW (6) & 3/8" x 2-1/2" Lag Screw (2)
9	133-657	2	Wood Rail; 3" x 4" x 144" Mtg Hrd: 3/8" x 4-1/2" Carriage Bolt & Nut (5 ea)
10	133-718	1	Restrictor Chain Mtg Hrd: 1/2" x 1-1/2" Grd 5 Bolt, FW & LN (2 ea)
11	101-685	1	Auger Assembly; Delayed Flight
12	101-575	1	Rear Plug; 2" Dia
13	131-552	1	Rear Flighting Support Bar
14	133-736	4	Flighting Delay Block
15	133-399	5	Flighting; 3/8" x 4-1/2" x 24" x 24" LH
16	133-630	1	Front Flighting Support Bar (Tapered)
17	101-570	5	Paddle Assembly
18	101-631	1	Front Plug; 2-1/2" Splined Shaft

AXLE PARTS

7710-TOW

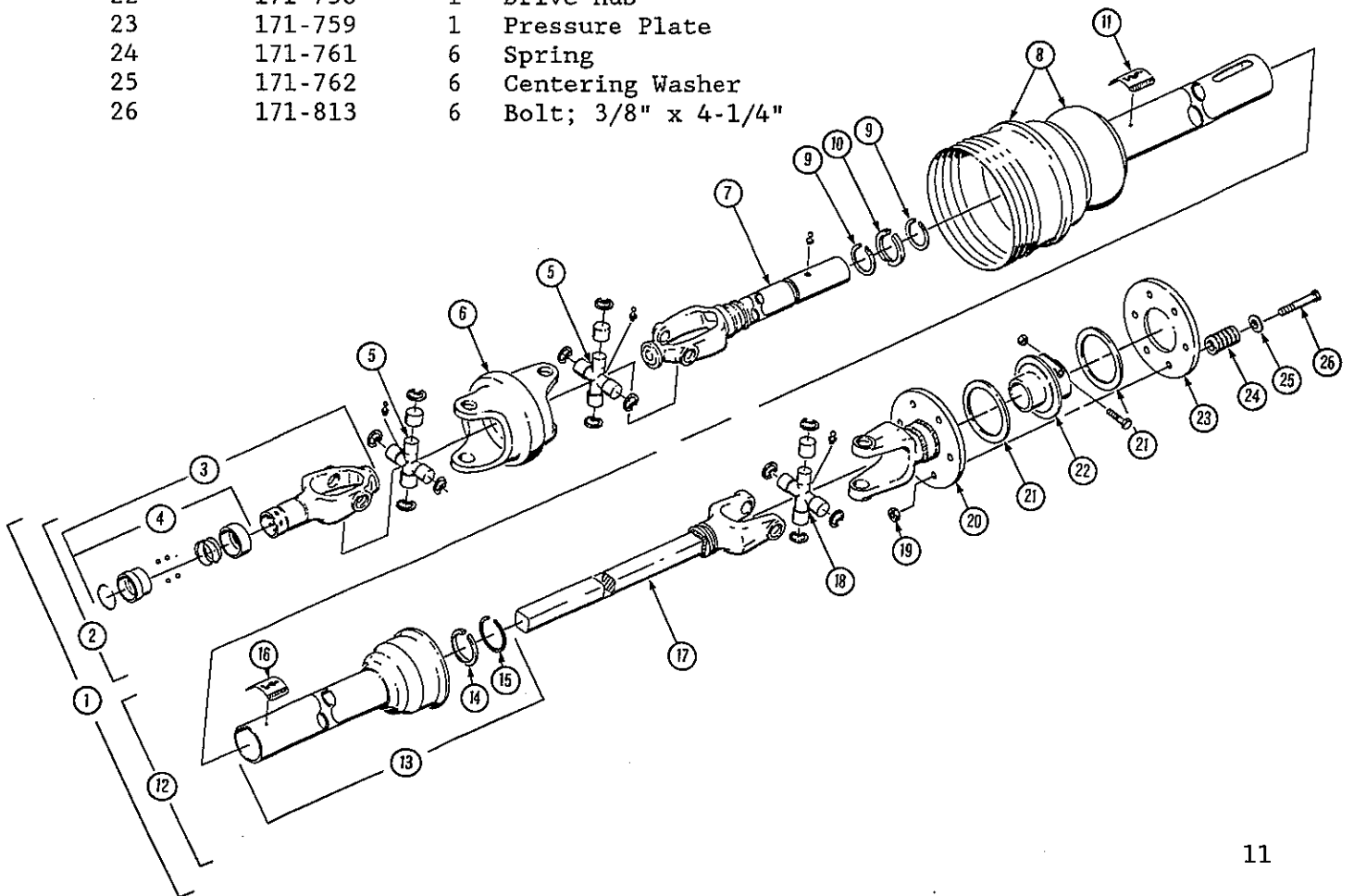
REF	PART NO	QTY	DESCRIPTION
1	171-800	2	8-Bolt Hub & Spindle Assembly
2	171-745	1	Spindle; 2-1/2" Dia. Mtg Hrd: 3/8"x 3-1/2" Bolt & LN
3	170-755	1	Complete 8-Bolt Hub Assembly
4	171-827	8	Nut; 5/8" NF
5	170-550	1	Dust Cap
6	170-236	1	Cotter Pin; 5/32" x 1-1/2"
7	170-132	1	Castle Nut; 7/8" NF
8	170-131	1	Flat Washer; 7/8" Heavy
9	170-545	1	Bearing Cone: Timken 14137A Or Equiv (Outer)
10	170-554	1	Bearing Cone: Timken 3780 Or Equiv (Inner)
11	170-556	1	Grease Seal; C/R 25105 Or Equiv
12	170-705	1	8-Bolt Hub Assembly
13	170-546	1	Bearing Race; Timken 14276 Or Equiv (Outer)
14	170-553	1	Bearing Race; Timken 3720 Or Equiv (Inner)
15	171-826	8	Stud; 5/8" NF
16	170-112	2	Wheel; 20" x 8" ,8-Hole
16	171-779	2	Wheel; 16.1" x 14", 8-Hole
16	172-284	2	Wheel; 22-1/2" x 8-1/4", 8-Hole
17	172-269	2	Axle Plug; 2-1/2" Dia.



CV PTO DRIVELINE & FRICTION CLUTCH PARTS

7710-TOW R092893

REF	PART NO	QTY	DESCRIPTION
1	172-295	1	PTO Driveline Assy Mtg Hrd: 1/2" x 3" Bolt & LN
2	172-296	1	CV Joint & Tube Half
3	172-305	1	Yoke Assy
4	172-019	1	Spring-Lok Repair Kit
5	172-302	2	Cross & Bearing Kit
6	172-303	6	CV Center
7	172-300	1	Yoke Tube & Slip Sleeve
8	172-298	1	Inner Guard
	172-304	1	Bell Extension
9	170-219	2	Bearing Retainer
10	170-220	1	Nylon Bearing
11	171-550	1	Safety Decal
12	172-297	1	Friction Clutch & Shaft Half
13	172-299	1	Outer Guard
14	170-220	1	Nylon Bearing
15	170-219	1	Bearing Retainer
16	171-550	1	Safety Decal
17	172-301	1	Yoke & Shaft
18	170-720	1	Cross & Bearing Kit
19	170-047	6	Stop Nut; 3/8"
20	171-757	1	Clutch Yoke
21	171-760	2	Friction Disk
22	171-758	1	Drive Hub
23	171-759	1	Pressure Plate
24	171-761	6	Spring
25	171-762	6	Centering Washer
26	171-813	6	Bolt; 3/8" x 4-1/4"



DECAL & PAINT LIST

7710-TOW

The following decals are listed below for your convenience.
Use the operator's manual for decal location, part number and ordering.

Unit Decals:

PART NO	QTY	DESCRIPTION
172-423	1	Set of Decals
170-154	2	"KNIGHT"
170-155	1	Knight Head
170-490	1	Important - Reduce Engine Speed . . .
170-849	2	WARNING - Beware Of Power Driven . . .
170-893	1	Slow Moving Vehicle Decal
171-598	2	"Slinger"
171-599	1	CAUTION - Do Not Exceed 540 RPM
171-712	1	NOTICE - Retighten Set Screws . . .
172-370	1	NOTICE - Friction Clutch Adjustment
171-820	2	DANGER - Rotating Auger Inside . . .
171-821	2	DANGER - Material Discharges . . .
172-429	2	"7710"
172-308	1	Caution - Implement Driveline
171-913	1	WARNING - Do Not Operate . . .
171-950	1	"U.S. Patent No. . . ."
171-992	2	Red Reflector
172-171	1	CAUTION - Read Operator's Manual

PTO Driveline Decals:

171-550	1	DANGER, PTO . . .
171-599	1	Do Not Exceed 540 RPM . . .
171-799	1	DANGER - Shield Missing

Paint:

170-366	Knight Yellow Aerosol Can
170-812	Knight Yellow Quart Can
170-813	Knight Yellow Gallon Can
170-367	Knight Red Aerosol Can
170-814	Knight Red Quart Can
170-815	Knight Red Gallon Can

OPTIONAL KITS

7710-TOW

Safety Chain For Towed Equipment P/N 172-195

This chain is designed to retain the connection between the towing and towed machines in the event of separation of the primary attaching system. It should be used whenever the unit is transported on the highway.

Light Kit For Towed Equipment

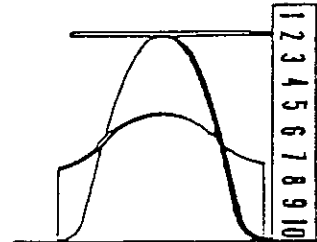
This light kit is designed for lighting and marking of agricultural field equipment whenever the equipment is on a highway. This kit is pre-assembled, and it includes mounting hardware.

PART NO	QTY	DESCRIPTION
300-007	1	Complete Light Kit - Assembled
172-173	2	Red And Amber Light Assembly
172-174	25'	4 Conductor Wire
172-175	1	4 Pin In-Line Connector (Male & Female)
Options:		
172-110	1	7 Pin Female Connector

FLIGHTING TERMS AND DIMENSIONS

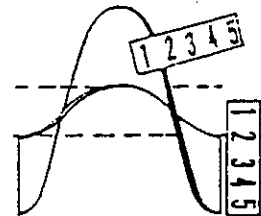
7710-TOW

OUTSIDE DIAMETER: Outside diameter can be determined by laying the flight on a flat surface and measuring from the top to the base.
NOTE: Dimensions may vary slightly.

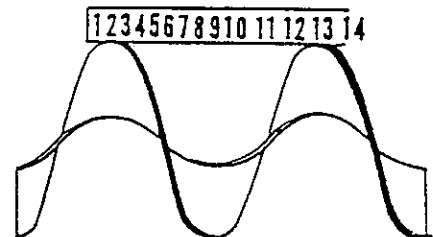


THICKNESS: Thickness of flighting can be determined with any linear measuring instrument.

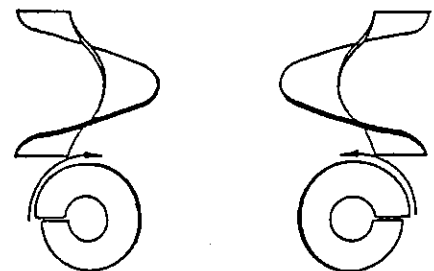
INSIDE DIAMETER: To find the inside diameter of flight, measure the distance from the inside of the flight to the peak. Then multiply the dimension by two and subtract the answer from the outside diameter dimension.



PITCH: Pitch is the dimension from one peak to the next, measured along the axis of the shaft. The term full pitch means that the outside diameter and the pitch are the same.



RIGHT HAND AND LEFT HAND FLIGHTING: As you look at the face of flighting and it is slanting downward to the right; it is right hand and if it is slanting downward to the left; it is left hand.



Flighting dimensions are written in a series similar to the following:

1/4" - 4" - 14" - 14"
Thick - I.D. - O.D. - Pitch

HARDWARE PART NUMBER LISTING

7710-TOW

All hex head bolts up to and including 7/16" dia are grade 5 unless otherwise specified. All fasteners are NC thread unless otherwise specified.

<u>Size</u>	<u>Hex Nuts</u>	<u>Locknuts</u>	<u>Jam Nuts</u>	<u>Flt Wsh.</u>	<u>Lk Wsh.</u>
#10	171-606			171-525	171-605
1/4	170-125	170-069		170-301	170-124
5/16	170-119	170-028		170-127	170-118
3/8	170-007	170-047	170-022	170-244	170-006
7/16	170-062	170-239	170-046	170-138	170-061
1/2	170-004	170-042	170-036	170-040	170-003
5/8	170-011	170-031	170-037	170-066	170-010
3/4	170-017	170-185	170-035	170-015	170-016
7/8				170-131	172-003
1				170-122	171-021

HEX HEAD BOLTS

<u>Bolt Size</u>	<u>Part No</u>	<u>Bolt Size</u>	<u>Part No</u>	<u>Bolt Size</u>	<u>Part No</u>
1/4 x 3/4	170-803	3/8 x 3	170-380	5/8 x 1-3/4	170-030
1/4 x 7/8	171-094	3/8 x 3-1/2	170-292	(Tap Bolt - Grade 5)	
1/4 x 1	170-310	3/8 x 4	170-877	5/8 x 2	170-009
1/4 x 1-1/2	170-068	3/8 x 4-1/2	170-519	(Grade 5)	
1/4 x 2-3/4	171-203	3/8 x 5	170-493	5/8 x 2	171-772
1/4 x 3	171-403	3/8 x 5-1/2	170-593	(Tap Bolt)	
5/16 x 5/8	170-532	3/8 x 6-1/2	171-291	5/8 x 2-1/2	172-381
5/16 x 3/4	170-262	7/16 x 3/4	170-265	5/8 x 3	170-258
5/16 x 7/8	170-256	7/16 x 1	170-032	5/8 x 3-1/2	170-038
5/16 x 1	170-027	7/16 x 1-1/4	170-354	5/8 x 4	170-371
5/16 x 1-1/4	170-188	7/16 x 1-1/2	170-059	5/8 x 4-1/2	170-067
5/16 x 1-1/2	170-372	7/16 x 2	170-356	5/8 x 5	170-065
5/16 x 1-3/4	170-263	7/16 x 2-1/2	170-379	5/8 x 6	170-381
5/16 x 2	170-376	7/16 x 3	170-270	5/8 x 9-1/2	171-039
5/16 x 2-1/2	170-369	7/16 x 5-1/2	170-377	3/4 x 2	170-058
5/16 x 3	170-295	7/16 x 6	170-378	3/4 x 2-1/4	171-275
5/16 x 3-1/4	171-639	1/2 x 3/4	171-252	3/4 x 2-1/2	170-374
5/16 x 4	170-293	1/2 x 1	170-149	3/4 x 3	170-014
(Tap Bolt)		1/2 x 1-1/4	170-373	3/4 x 3-1/2	170-195
5/16 x 4-1/2	170-294	1/2 x 1-1/2	170-002	3/4 x 4	170-419
3/8 x 3/4	170-439	1/2 x 2	170-050	3/4 x 4-1/2	170-846
3/8 x 7/8	170-268	1/2 x 2-1/2	170-319	(Grade 5)	
3/8 x 1	170-054	1/2 x 3	170-168	3/4 x 6	171-116
3/8 x 1-1/4	170-005	1/2 x 4	171-509	(Grade 5)	
3/8 x 1-1/2	170-368	1/2 x 4-1/2	171-573		
3/8 x 2	170-245	1/2 x 5	171-412		
3/8 x 2-1/4	170-320	5/8 x 1 (G.5)	171-087		
3/8 x 2-1/2	170-257	5/8 x 1-1/4	171-366		

HARDWARE LISTING CONTINUED

7710-TOW

TRUSS HEAD BOLTS

<u>Bolt Size</u>	<u>Part No</u>
#8 x 1-1/2	171-210
#10 x 3/4	171-604
1/4 x 1/2	170-123
1/4 x 3/4	170-193
1/4 x 1	170-194
5/16 x 1 (Grade 5)	170-117

CARRIAGE BOLTS

<u>Bolt Size</u>	<u>Part No</u>
1/4 x 1-1/2	170-355
1/4 x 2-1/2	171-394
1/4 x 3	170-509
5/16 x 1	170-370
5/16 x 2-1/2	171-395
5/16 x 5-1/2	170-494
3/8 x 3-1/2	171-283
3/8 x 4-1/2	170-191
3/8 x 5	170-495
3/8 x 6-1/2	171-174
3/8 x 8	170-297
1/2 x 6-1/2	171-098
1/2 x 9	171-255

ZERKS

<u>Size</u>	<u>Part No</u>
1/4-28	170-023
1/4-28 - 45	170-148
1/4-28 - 90	170-049
1/4 NPT	170-277
1/8 NPT	170-865
1/8 NPT-45	170-864
1/8 NPT-65	170-215
1/8 NPT-90	170-866

COTTER PINS

<u>Size</u>	<u>Part No</u>
1/16 x 1/2	170-992
3/32 x 3/4	170-364
1/8 x 3/4	170-177
1/8 x 1	170-045
1/8 x 1-1/4	170-033
1/8 x 1-1/2	170-382
5/32 x 1	170-421
5/32 x 1-1/2	170-236
5/32 x 3	170-135
3/16 x 1-1/4	170-991
3/16 x 2	170-115
1/4 x 1-1/2	170-521
1/4 x 2	170-056

SET SCREWS

<u>Size</u>	<u>Part No</u>
1/4 x 1/4 NC	170-247
5/16 x 5/16NC	170-248
5/16 x 1/2 NC	170-254
5/16 x 1/4 NF	170-993
5/16 x 5/16NF	170-825
5/16 x 5/8 NF	170-456
3/8 x 1/4 NC	170-856
3/8 x 3/8 NC	170-151
3/8 x 1/2 NC	170-857
(nylock)	
3/8 x 3/4 NC	170-289
(sq head)	
3/8 x 3/4 NC	170-290
(sq hd drilled)	
3/8 x 1 NC	170-021
3/8 x 1/2 NF	171-469
7/16 x 7/16NC	170-288
7/16 x 1 NC	170-147
(sq head)	
1/2 x 5/8 NC	170-249
1/2 x 1 NC	170-438
1/2 x 1-1/4NC	171-085
(half dog point)	
5/8 x 5/8 NC	170-250

ROLLER CHAIN
CONNECTOR LINKS

<u>Size</u>	<u>Part No</u>
#50-2R	170-094
#50	170-088
#60-2R	170-095
#60	170-089
#60H	171-102
#80	170-090
#80H	170-821
#100	170-091
#100H	171-969
#120	170-092
#140	170-093
#160	170-888

OFFSET LINKS

<u>Size</u>	<u>Part No</u>
#50	170-096
#60-2R	170-103
#60	170-097
#80	170-098
#80H	170-820
#100	170-099
#120	170-100
#140	170-101
#160	170-887

ROLLER LINKS

<u>Size</u>	<u>Part No</u>
#50	171-415
#60	171-416
#80	171-417
#80H	170-795
#120	171-419
#140	171-420

PART NUMBER INDEX

7710-TOW

<u>Part No.</u>	<u>Page</u>	<u>Part No.</u>	<u>Page</u>	<u>Part No.</u>	<u>Page</u>
101-548	7	170-074	7	171-699	3
101-549	7	170-112	10	171-712	12
101-570	9	170-131	10	171-745	10
101-571	9	170-132	10	171-757	11
101-575	9	170-135	3	171-758	11
101-577	3	170-152	3	171-759	11
101-586	7	170-154	12	171-761	11
101-631	9	170-170	5	171-762	11
101-636	9	170-220	11	171-779	10
101-662	3	170-232	5	171-782	5
101-685	9	170-235	5	171-799	12
101-761	3	170-236	7, 10	171-800	10
101-817	5	170-365	3	171-813	11
101-985	7	170-366	12	171-820	12
101-986	7	170-367	12	171-821	12
101-987	7	170-386	5	171-826	10
131-552	9	170-397	5	171-827	10
133-277	3	170-479	5	171-860	5
133-316	5	170-490	12	171-913	12
133-376	9	170-499	5	171-941	5
133-394	5	170-518	3	171-950	12
133-395	7	170-545	10	171-992	12
133-396	3	170-546	10	172-006	3
133-399	9	170-550	10	172-019	11
133-445	7	170-553	10	172-110	13
133-449	3	170-554	10	172-171	12
133-477	5	170-556	10	172-173	13
133-533	5	170-705	10	172-174	13
133-538	3	170-720	10	172-175	13
133-539	3	170-755	10	172-269	10
133-556	9	170-800	3	172-284	10
133-557	9	170-812	12	172-295	11
133-595	3	170-813	12	172-296	11
133-604	7	170-814	12	172-297	11
133-630	9	170-815	12	172-298	11
133-657	9	170-835	7	172-299	11
133-687	9	170-845	3	172-300	11
133-688	9	170-849	12	172-301	11
133-718	9	170-893	12	172-303	11
133-736	9	170-984	5	172-305	11
134-155	5	170-985	5	172-308	12
134-178	3	170-986	5	172-370	12
134-179	3	170-987	5	172-421	7
134-665	7	171-030	5	172-422	7
134-666	7	171-309	5	172-423	12
134-669	7	171-550	11, 12	172-429	12
170-008	3, 7, 9	171-585	3	300-007	12
170-031	7	171-586	7		
170-037	7	171-598	12		
170-047	11	171-599	12		
170-052	5	171-695	3		
170-066	7	171-696	7		
170-073	7	171-697	3		
		171-698	5, 7		