

Slinger Model 7716 Tow Type

SERVICE PARTS LISTING

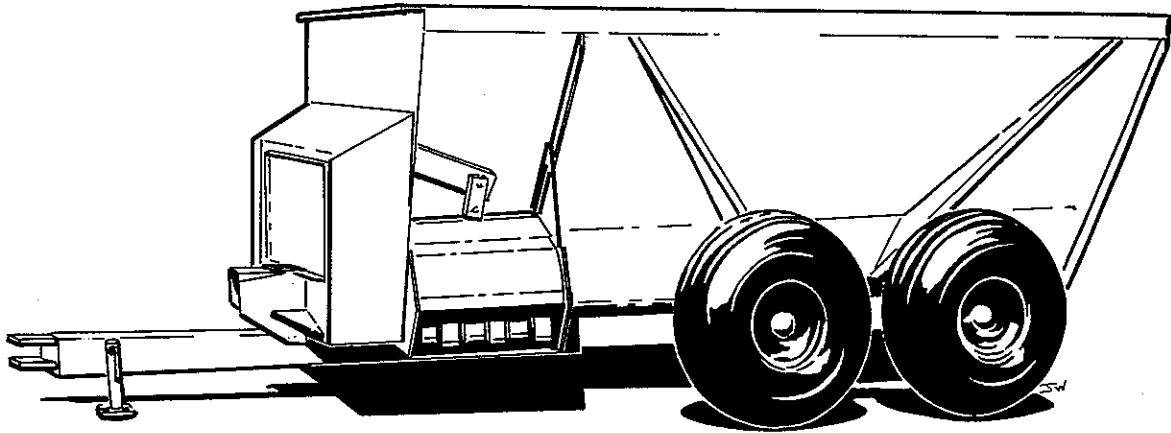


TABLE OF CONTENTS

Using This Listing.....1
Front End Parts.....2-5
Discharge Parts.....6-7
Running Gear Parts.....8-9
Rear End Parts.....10-11
Top Guard & Auger Parts.....12-13
540 RPM PTO Driveline.....14
1000 RPM PTO Driveline.....15
Decal & Paint List.....16
Optional Kits.....17
Flighting Terms & Dimensions.....18
Hardware Listing.....19-21

Catalog P/N 005484 R062992 Unit Serial Number: _____
Operator Instruction Manual For This Unit Is #005481

ABBREVIATIONS

7716-TOW

Assy	Assembly
A/R	As Required
B	Bolt
Brg	Bearing
BSN	Before Serial Number
BTM	Bottom
C Bolt	Carriage Bolt
Cttr	Cotter
CV	Constant Velocity (Joint)
Dia	Diameter
ea	Each
Eq or Equiv	Equivalent
FLN	Flanged Locknut
FW	Flat Washer
Ga	Gauge
Gr or Grd	Grade
Hd	Head
Hyd	Hydraulic
ID	Inside Diameter
Ill or Illus	Illustration
Ind	Indicator
KW	Keyway
LH	Left Hand
LW	Lock Washer
Mtg Hrd	Mounting Hardware
NC	National Coarse
NF	National Fine
OD	Outside Diameter
Pc(s)	Piece(s)
PD	Pitch Diameter
PTO	Power Takeoff (Shaft)
Q or Qty	Quantity
Reg Mach	Regular Machine
RH	Right hand
SN	Serial Number
Sprkt	Sprocket
Sq	Square
Std	Standard
UASN	Used After Serial Number
UBSN	Used Before Serial Number

USING THIS SERVICE PARTS LISTING

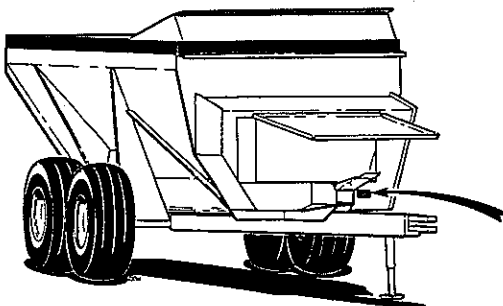
7716-TOW

This listing uses a number indentation system to specify the parts of an assembly. Any number which is indented to the right, indicates that it is a component of the item to the upper left. Example:

<u>Part no</u>	<u>Description</u>	<u>Qty</u>
uuu-uuu	Assembly A	2
vvv-vvv	Sub-Assembly B (Component of A)	3
www-www	Component of B	5
xxx-xxx	Another Com- ponent of B	1
yyy-yyy	Sub-Assembly C (Component of A)	1
etc.		

Using this system, the sub-assemblies and their components are included if an Assembly is ordered. Similarly, the components of a sub-assembly are included if a sub-assembly is ordered.

The quantity (qty) associated with an assembly, represents the number of times an assembly could be shown in the drawing. The sub-assembly quantity however, is the number of times a sub-assembly is used to build one assembly. Similarly, the component quantity refers to the number of times a given component is found in one sub-assembly.



Serial Number Location
Front View
Figure A

MODEL AND SERIAL NUMBER INFORMATION is located below the drive shielding (Fig. A). The model number, serial number and part number should be known when asking service personnel for parts.

If you cannot find the part you need, be as descriptive as possible when placing an order:

Sprockets: give the bore size, number of teeth, and number and size of keyways.

Roller chain: give the size of chain (stamped on the side of each link) and number of links.

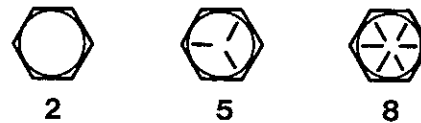
Shafting: give the diameter, length, and number and size of keyways.

Hardware is generally not included with parts. If you need any hardware, check the size, the length, and the grade (Fig. B), then check the hardware list in this manual for the part numbers. All hex head bolts up to and including 7/16" diameter are grade 5, and nuts are grade B unless otherwise stated.

The hardware listing also includes listings for zerks, cotter pins, set screws, and roller chain links.

The illustrations in this manual are meant to be used only as a guide for identifying parts and locating their relative positions.

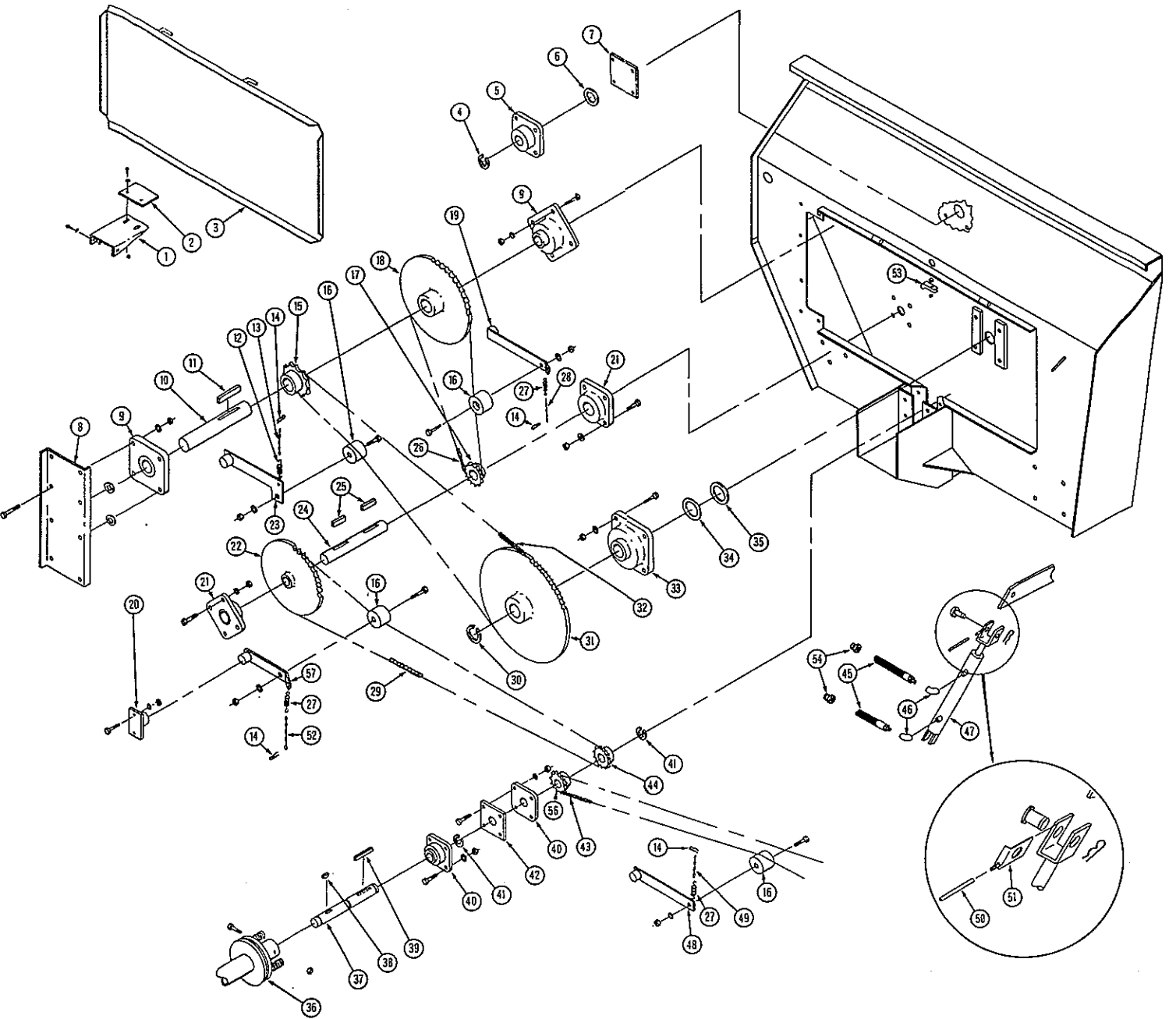
Bolt Grades



Bolt Head Grade Markings
Figure B

FRONT END PARTS

7716-TOW



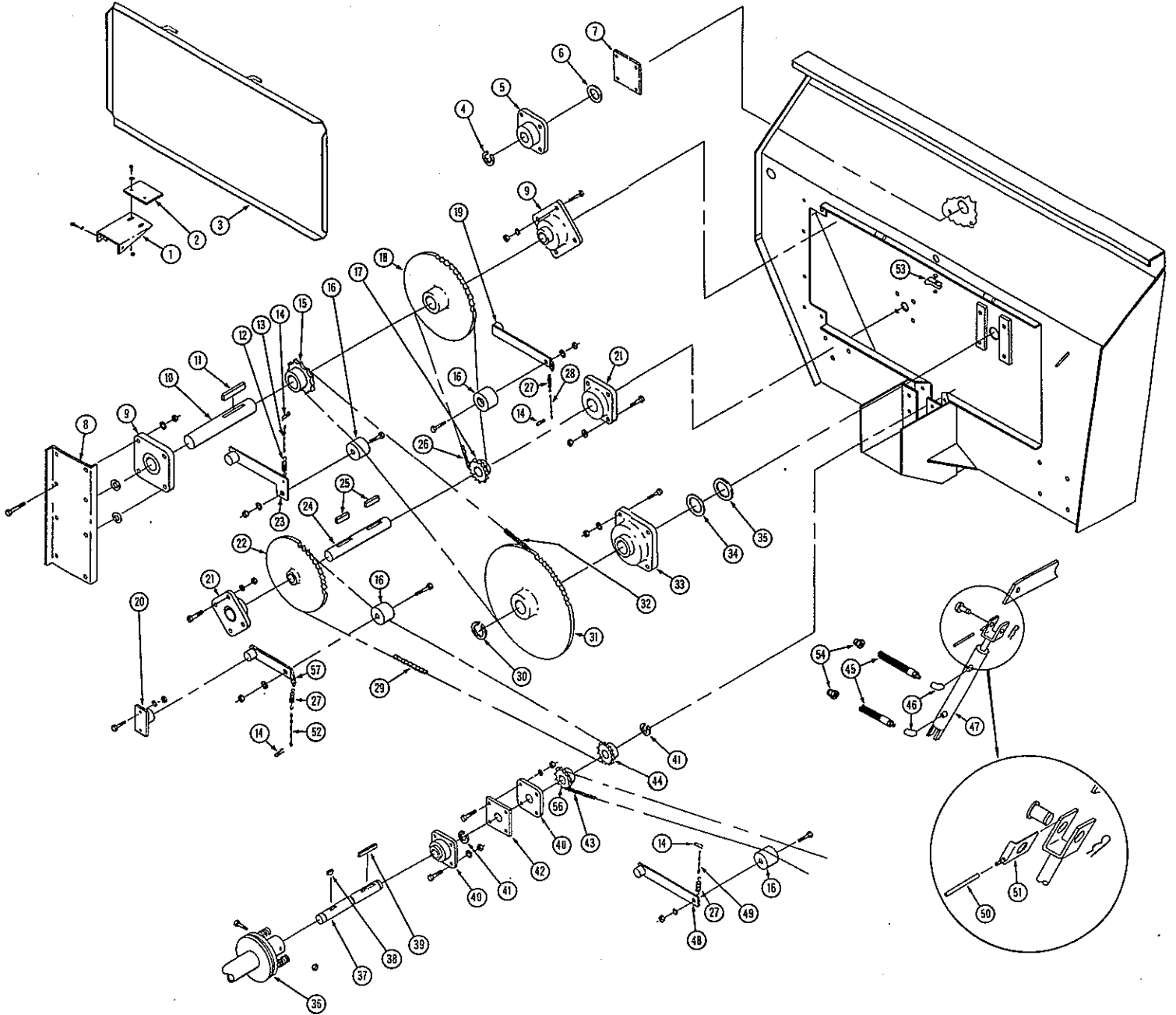
FRONT END PARTS

7716-TOW

REF	PART NO	QTY	DESCRIPTION
1	134-690	1	PTO Driveline Shield Assy (134-667 Shield With 172-370 Decal) Mtg Hrd: 5/16" x 3/4" Bolt, FLN & 171-393 Belleville Washer (2 ea)
2	134-668	1	PTO Driveline Shield Belt Mtg Hrd: 5/16" x 3/4" Bolt, FW & FLN (2 ea)
3	101-606	1	Front Shield Assembly
4	170-499	1	Snap Ring; 1-3/8", Truarc 5160-137 Or Equiv
5	170-000	1	Bearing; 1-3/8", FYH UCF 207-22E Or Equiv Mtg Hrd: 1/2" x 1-3/4" Bolt, LW & Nut (4 ea)
6	133-546	1	Seal; 1-3/8" ID x 2-1/2" OD
7	133-540	1	Front Cover Plate (Not Used With Upper Auger) Mtg Hrd: 1/2" x 1" Bolt, LW & Nut (4 ea)
8	133-531	1	Bearing Mount Mtg Hrd: 1/2" x 1" Bolt, LW & Nut (4 each)
9	170-053	2	Bearing; 2-1/2", FYH UCF X13-40E L-III Mtg Hrd: Outer Brg: 5/8" x 2" B, LW, Nut (4 ea) & FW (2) Inner Brg: 5/8" x 1-3/4" Bolt, LW & Nut (4 ea)
10	133-530	1	Shaft; 2-1/2" Dia
11	171-769	1	Key; 5/8" x 4-3/8"
12	172-005	1	Spring; 6" Long
13	171-592	1	Machine Chain; #4 x 46 Link
14	170-800	4	Clinch Pin
15	130-175	1	Sprocket; 120-B-12, 2-1/2" Bore, 5/8" KW
16	134-155	4	Tightener Block Mtg Hrd: 1/2" x 2-3/4" Bolt, LW, FW & Nut
17	130-391	1	Sprocket; 80-B-13, 2" Bore, 1/2" KW
18	133-475	1	Sprocket; 80-B-54, 2-1/2" Bore, 5/8" KW
19	101-817	1	Chain Tightener Arm
20	101-602	1	Chain Tightener Arm Mount Mtg Hrd: 5/16" x 3/4" Bolt, LW & Nut (2 ea)
21	170-008	2	Bearing; 2", FYH UCF X10-32E L-III Or Equiv Mtg Hrd: 5/8" x 1-3/4" Tap Bolt, LW & Nut (3 ea)
22	133-476	1	Sprocket; 60-B-55, 2" Bore, 1/2" KW
23	101-832	1	Chain Tightener Arm
24	133-532	1	First Counter Shaft; 2" Dia
25	170-835	2	Key; 1/2" x 1-1/2"
26	170-108	1	Roller Chain; 80-1-70 P., W/C Link

FRONT END PARTS

7716-TOW



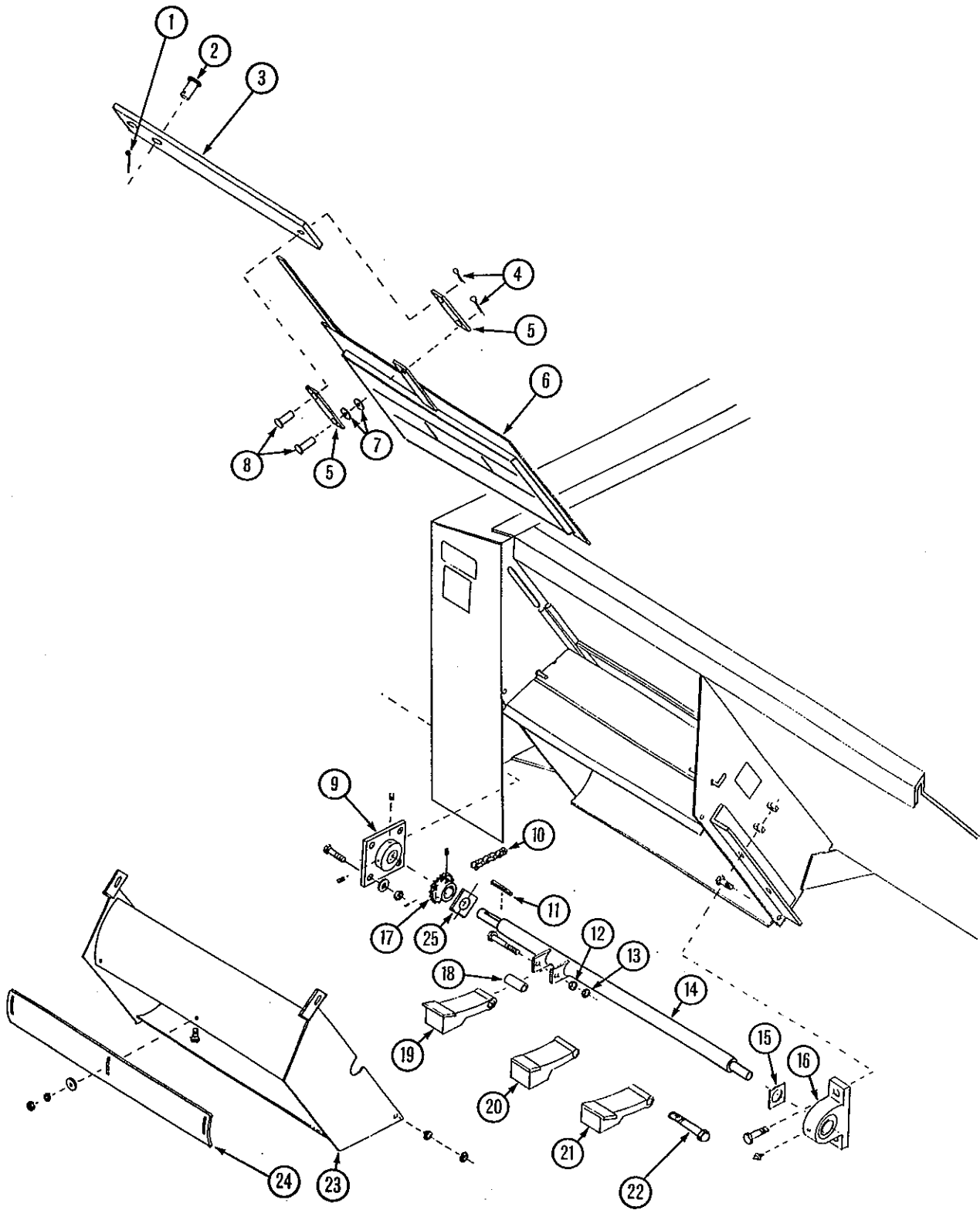
FRONT END PARTS

7716-TOW

REF	PART NO	QTY	DESCRIPTION
27	172-006	3	Spring; 4-5/8" Long
28	171-045	1	Machine Chain; #4 x 22 Link
29	171-766	1	Roller Chain; 60-1-94 P., W/C Link (540 RPM)
29	171-767	1	Roller Chain; 60-1-89 P., W/C Link (1000 RPM)
30	171-607	1	Snap Ring; 3-1/2", Truarc 5100-350 Or Equiv
31	133-596	1	Sprocket; 120-B-60, 3-1/4" Splined Bore
32	171-764	1	Roller Chain; 120-1-76 P., W/C Link
33	170-445	1	Bearing; 3-1/2", PTC 22456E Or Equiv Mtg Hrd: 3/4" x 3" Bolt, LW & Nut (4 ea)
34	134-279	1	Spacer
35	133-278	1	Seal; 3-1/2" ID x 5" OD
36	172-295	1	PTO Driveline (540 RPM)
36	172-294	1	PTO Driveline (1000 RPM)
37	133-533	1	Input Shaft; 1-3/8" Dia
38	170-170	1	Key; #1210 Woodruff, 3/8" x 1-1/4"
39	170-052	1	Key; 3/8" x 2-1/8"
40	171-585	2	Bearing; 1-3/8", FYH NANF 207-22 Or Equiv Mtg Hrd: 1/2" x 1-3/4" Bolt, LW & Nut (4 ea)
41	170-499	2	Snap Ring; 1-3/8", Truarc 5160-137 Or Equiv
42	133-316	1	Bearing Spacer
43	172-293	1	Roller Chain; 60H-1-96 P., W/C Link (540 RPM)
43	172-353	1	Roller Chain; 60H-1-88 P., W/C Link (1000 RPM)
44	133-477	1	Sprocket; 60-B-27, 1-3/8" Bore (540 RPM)
44	132-678	1	Sprocket; 60-B-15, 1-3/8" Bore (1000 RPM)
45	171-309	2	Hydraulic Hose; 1/4" x 132"
46	171-030	2	Swivel Adapter; 3/8" - 90 Degrees
47	170-232	1	Hyd Cylinder; 2-1/2" x 8" (Includes 170-073 Pins & 170-074 Hairpin Clips) (Seal Kit #170-464)
48	101-761	1	Chain Tightener Arm
49	170-479	1	Machine Chain; #4 x 9 Link
50	133-509	1	Door Height Indicator
51	101-618	1	Door Gauge Bracket
52	170-845	1	Chain; #4 x 17 Link
53	171-782	1	Clamp; Hose Holder Mtg Hrd: 5/16" Nut & FLN
54	170-235	2	Reducer Bushing; 1/2" To 3/8"
56	134-461	1	Sprocket; 60-B-36 (540 RPM)
56	134-459	1	Sprocket; 60-B-20 (1000 RPM)
57	101-911	1	Chain Tightener Arm

DISCHARGE PARTS

7716-TOW



DISCHARGE PARTS

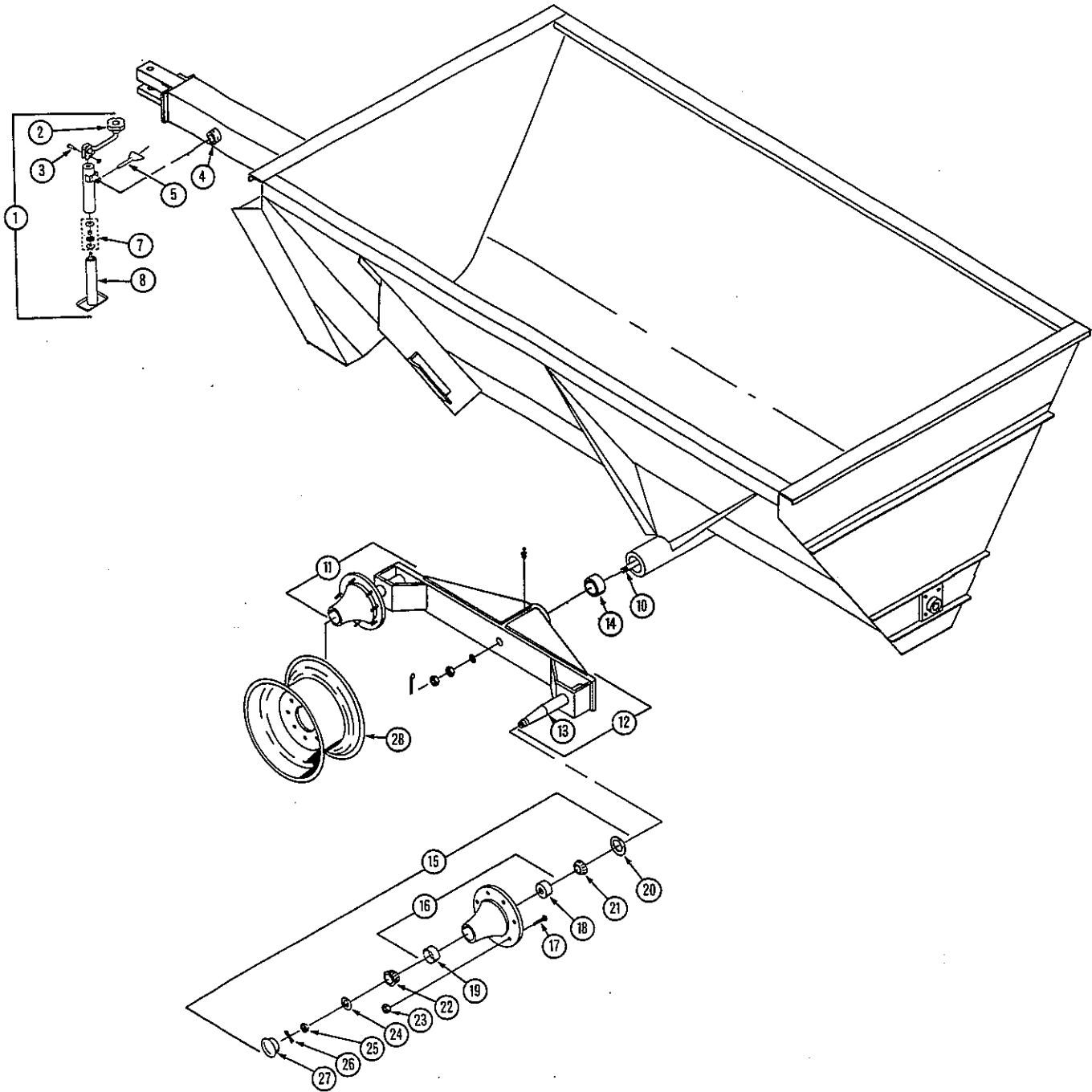
7716-TOW

REF	PART NO	QTY	DESCRIPTION
1	170-074	1	Hairpin Clip
2	170-073	1	Clevis Pin; 1" Dia
3	134-665	1	Pivot Bar
4	170-236	2	Cotter Pin; 5/32" x 1-1/2"
5	133-445	2	Door Linkage Bar
6	101-986	1	Discharge Door Assembly
7	170-066	2	Flat Washer; 5/8"
8	171-696	2	Clevis Pin; 5/8" x 2"
9	170-008	1	Bearing; 2", FYH UCF X10-32E L-III Or Equiv Mtg Hrd: 5/8" x 1-3/4" Tap Bolt, LW & Nut (4 ea)
10	172-293	1	Roller Chain; 60H-1-96 P., W/C Link (540 RPM)
10	172-353	1	Roller Chain; 60H-1-88 P., W/C Link (1000 RPM)
11	170-835	1	Key; 1/2" x 1-1/2"
12	170-037	15	Jam Nut; 5/8"
13	170-031	15	Locknut; 5/8" Grade B
14	101-988	1	Hammer Shaft Assembly
15	133-604	1	Poly-Shaft Seal
16	171-586	1	Bearing; 2" Pillow Block, FYH NAP 211-32 L-III Mtg Hrd: 5/8" x 2-1/2" Bolt, FW, LN & JN (2 ea)
17	134-460	1	Sprocket; 60-B-23, 2" Bore, 1/2" KW
18	172-422	15	Hammer Sleeve
19	101-548 ^A	1	Front Hammer (Tip #133-299)
20	101-586 ^A	13	Main Hammer (Tip #133-298)
21	101-549 ^A	1	Rear Hammer (Tip #133-299) Use AWS E10018 Electrode Or Greater For Welding Replacement Tips
22	172-421	15	Bolt; 5/8" x 5-1/2" Hex Head Grade 5
23	101-985	1	Door Shroud Assy; Mtg Hrd: 3/8" x 1" Bolt, LN (4 ea) & 3/8" Heavy FW (2 ea)
24	134-666	1	Shroud Visor Mtg Hrd: 5/16" x 1" Bolt, FW, LW & Nut (3 ea)
25	134-669	1	Poly-Shaft Seal; Mtg Hrd: 1/4" x 1" Bolt, FW, LN & 171-083 FW (1 ea)

A: Use Stulz Manganese-XL or Equiv. Welding Electrodes for Hammer repair. Order Kit 300-030 - Quantity as required.

RUNNING GEAR PARTS

7716-TOW



RUNNING GEAR PARTS

7716-TOW

REF	PART NO	QTY	DESCRIPTION
1	170-984	1	Jackstand Assembly
2	170-386	1	Crank Assembly
3	171-860	1	Crank Pin (Includes "C" Washer)
4	170-985	1	Mount Tube
5	170-987	1	Pin And Chain Assembly
7	170-397	1	Thrust Bearing Kit
8	171-941	1	Inner Tube Assembly (Includes Nut & Screw)
10	101-613	1	Tie Rod Assembly Mtg Hrd: 3/4" Nut, Jam Nut, (170-236) Cotter Pin (1 ea) & FW (2)
	101-616	1	RH Bogie Assembly
	101-614	1	RH Bogie Weldment
	170-865	1	Grease Zerk
11	101-617	1	LH Bogie Assembly
12	101-615	1	LH Bogie Weldment
	170-865	1	Grease Zerk
13	171-745	2	Spindle; 2-1/2" x 14-1/8" Long
14	133-565	2	Bushing; Bogie Pivot
15	170-755	2	8-Bolt Hub Assembly
16	170-705	1	8-Bolt Hub
17	171-826	8	Stud; 5/8"
18	170-553	1	Inside Bearing Race
19	170-546	1	Outside Bearing Race
20	170-556	1	Grease Seal
21	170-554	1	Inside Bearing Cone
22	170-545	1	Outside Bearing Cone
23	171-827	8	Wheel Nut
24	170-131	1	Flat Washer; 7/8" Heavy
25	170-132	1	Castle Nut; 7/8" NF
26	170-236	1	Cotter Pin; 5/32" x 1-1/2"
27	170-550	1	Dust Cap
28	170-112	4	Wheel; 20" x 8"
28	171-779	4	Wheel; 16.1" x 14"
28	172-284	4	Wheel; 22-1/2" x 8-1/4", 8-Hole

REAR END PARTS

7716-TOW R042793

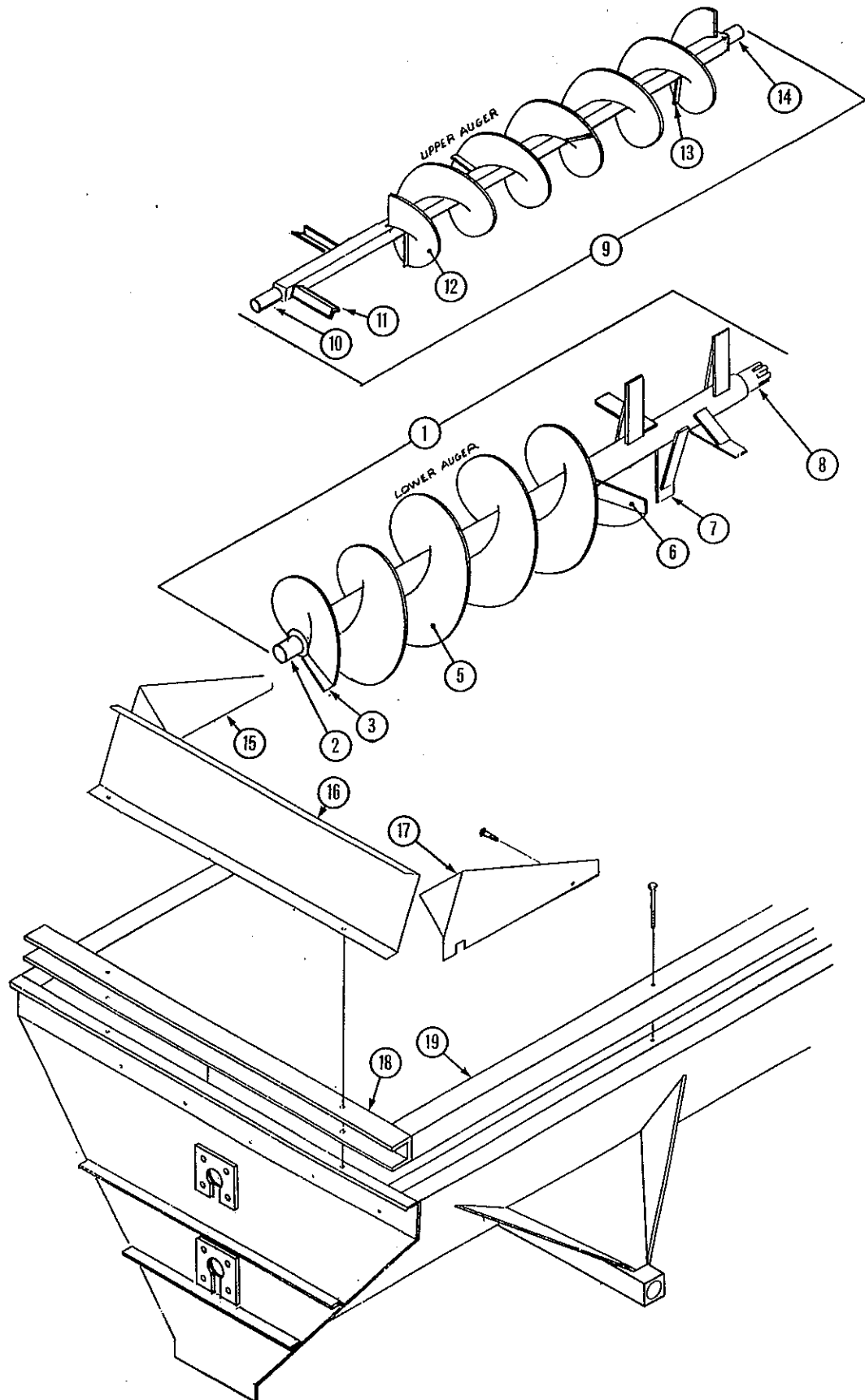
REF	PART NO	QTY	DESCRIPTION
1	133-323	1	Rear Cover Plate (Not Used With Upper Auger)
2	101-636	1	Cleaning Tool
3	133-376	1	Seal; 2" ID x 3-1/2" OD
4	170-008	1	Bearing; 2", FYH UCF X10-32E L-III Or Equiv Mtg Hrd: 5/8" x 2" Bolt, LW, & Nut (4 ea) (Use 171-049 Spacer Washer As Required)
5	170-835	1	Key; 1/2" x 1-1/2"
6	101-610	1	Shear Sprocket Assembly
7	170-028	2	5/16" Flanged Locknut
8	101-611 ^A	1	Shear Hub
9	133-547 ^A	1	Sprocket; 80-A-30
10	170-263	2	Bolt; 5/16" x 1-3/4", Grade 5
11	170-087	1	Snap Ring; 3-1/4", Truarc 5100-325 Or Equiv
12	170-361	1	Snap Ring; 2", Truarc 5160-200 Or Equiv
13	101-954	1	Upper Auger Drive Shield
14	170-110	1	Spring
15	133-552	1	Belt; Spring Handle
16	134-155	1	Poly Block Mtg Hrd: 1/2" x 2-3/4" Bolt, LW, Nut (1 ea) & FW (2)
17	133-277	1	Seal; 2-1/2" ID x 3-1/2" OD
18	170-053	1	Bearing; 2-1/2", FYH UCF X13-40E L-III Mtg Hrd: 5/8" x 2" Bolt, LW, & Nut (4 ea)
19	171-618	1	Key; 5/8" x 1-1/2"
20	133-548	1	Sprocket; 80-B-21, 2-1/2" Bore, 5/8" KW
21	172-388	1	Roller Chain; 80-1-74 P., W/C Link

A: New shear sprocket and shear hub parts may have misaligned shear bolt holes. If holes are misaligned, use shear hub as drill guide to drill holes in shear sprocket.

KNIGHT MANUFACTURING CORP. PO BOX 167 BRODHEAD, WI 53520
OFFICE: (608)897-2131 PARTS/SERVICE: (608)897-2125 FAX: (608)897-2561 11

TOP GUARD & AUGER PARTS

7716-TOW



TOP GUARD & AUGER PARTS

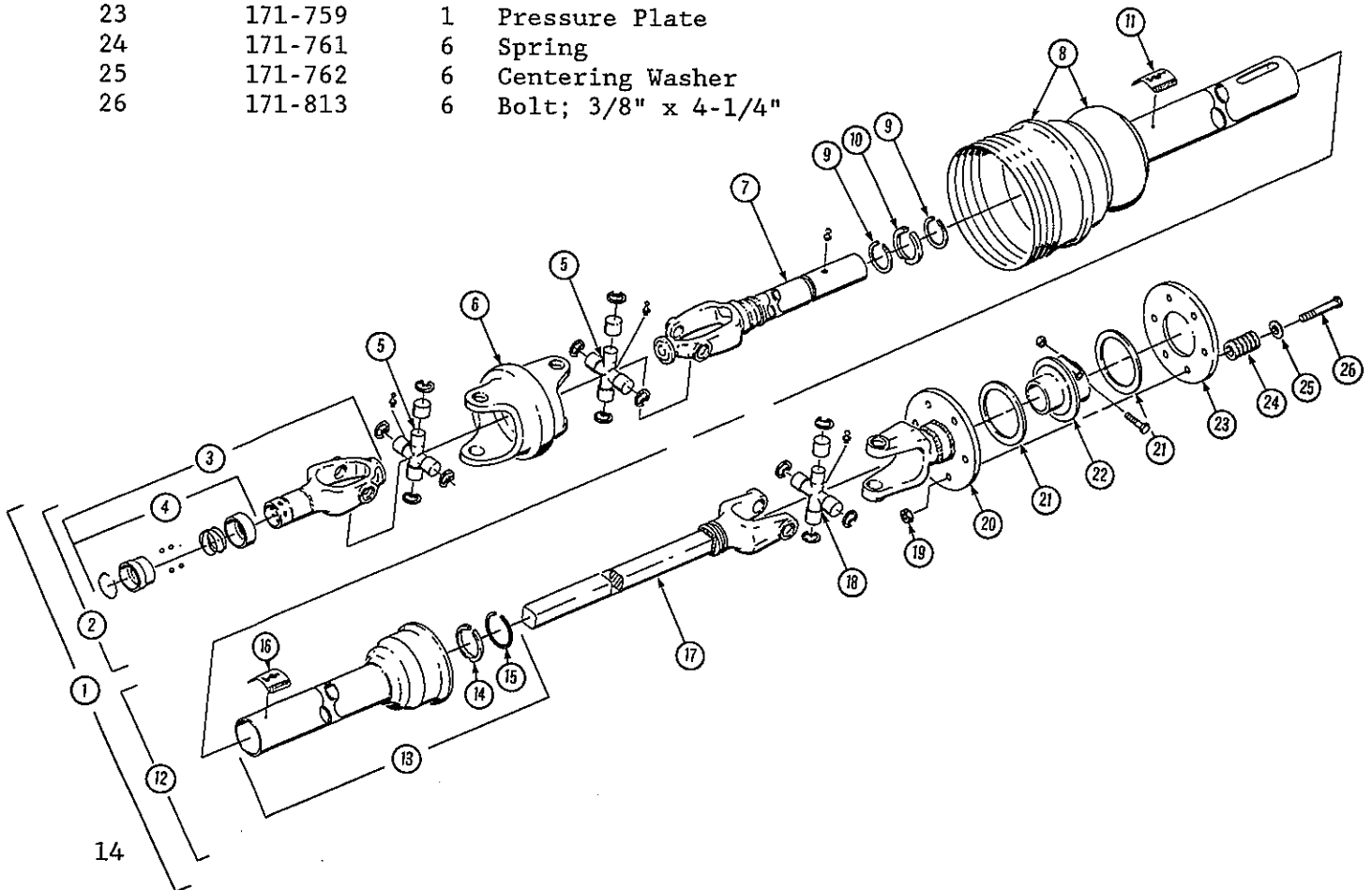
7716-TOW

REF	PART NO	QTY	DESCRIPTION
1	101-997	1	Lower Auger Assembly
2	101-601	1	Rear Plug Assembly
3	131-552	1	Rear Flighting Support Bar
5	133-361	6	Flighting; 3/8" x 5-1/2" x 24" x 24" LH
6	133-630	1	Front Flighting Support Bar (Tapered)
7	101-596	6	Paddle Assembly
8	101-634	1	Front Plug Assembly
9	101-979	1	Upper Auger Assembly
10	101-609	1	Rear Plug
11	133-545	2	Paddle
12	133-544	1	Flight; 5" x 16" x 16" x 134" RH
13	131-388	4	Auger Brace
14	101-608	1	Front Plug
15	133-556	1	Splash Guard Side (RH Front & LH Rear)
16	133-656	1	Splash Guard End Mtg Hrd: 5/16" x 1" Bolt, LW, Nut (7 ea) & FW (14)
17	133-557	1	Splash Guard Side (LH Front & RH Rear) Mtg Hrd: To Wood Rail: 3/8" x 3-1/2" C Bolt & Nut (4 ea) To Side Panel: 3/8" x 1" Bolt, LW & Nut (4 ea)
18	133-655	2	End Panel Extension Mtg Hrd: 5/16" x 1" Bolt, LW, Nut (3 ea), FW (8) & 3/8" x 2-1/2" Lag Screw (2)
19	133-640	2	Wood Rail; 3" x 4" x 168" Mtg Hrd: 3/8" x 4-1/2" Carriage Bolt & Nut (5 ea)

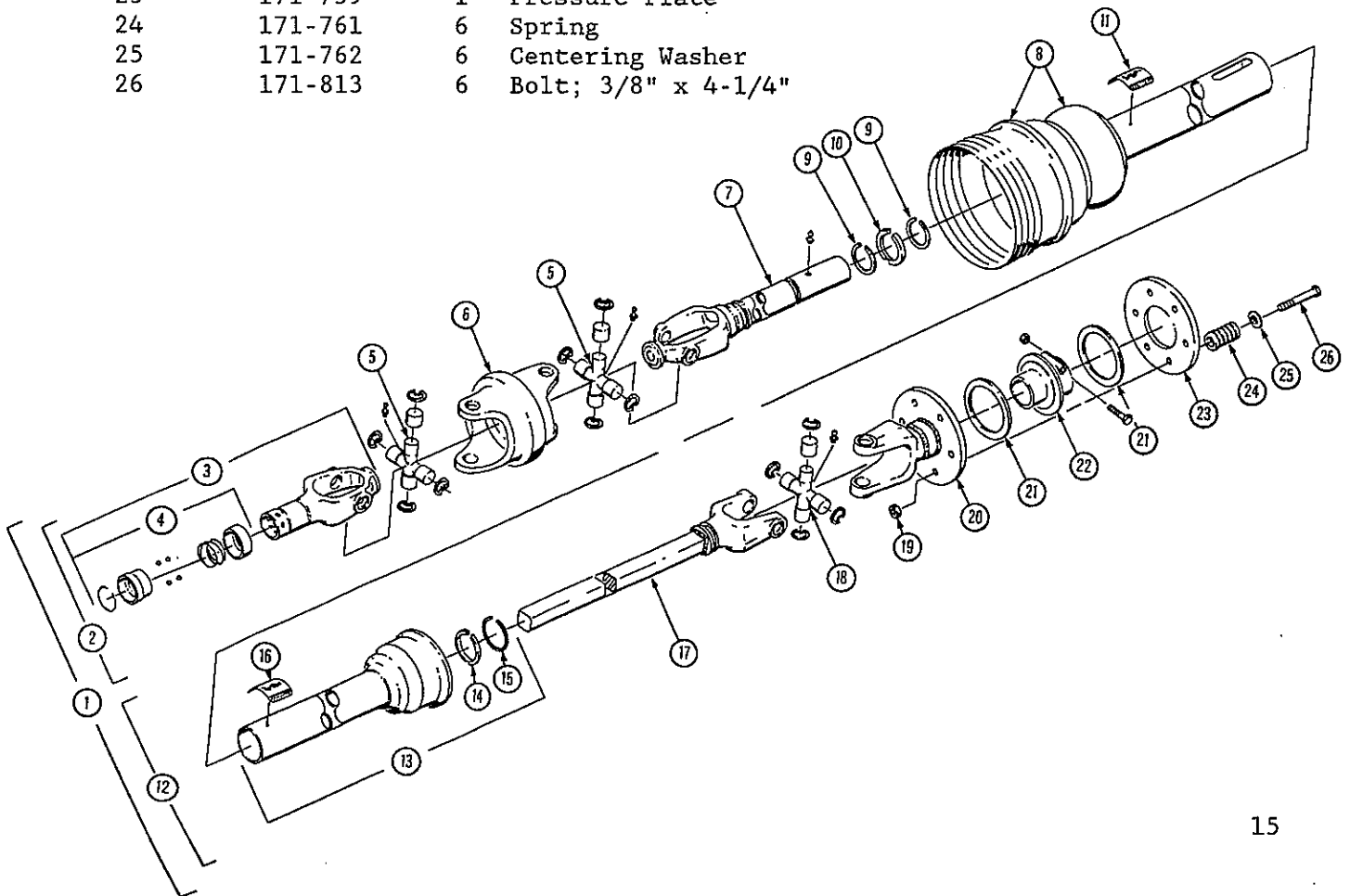
CV PTO DRIVELINE & FRICTION CLUTCH PARTS- 540 RPM

7716-TOW R092893

REF	PART NO	QTY	DESCRIPTION
1	172-295	1	PTO Driveline Assy Mtg Hrd: 1/2" x 3" Bolt & LN
2	172-296	1	CV Joint & Tube Half
3	172-305	1	Yoke Assy
4	172-019	1	Spring-Lok Repair Kit
5	172-302	2	Cross & Bearing Kit
6	172-303	6	CV Center
7	172-300	1	Yoke Tube & Slip Sleeve
8	172-298	1	Inner Guard
	172-304	1	Bell Extension
9	170-219	2	Bearing Retainer
10	170-220	1	Nylon Bearing
11	171-550	1	Safety Decal
12	172-297	1	Friction Clutch & Shaft Half
13	172-299	1	Outer Guard
14	170-220	1	Nylon Bearing
15	170-219	1	Bearing Retainer
16	171-550	1	Safety Decal
17	172-301	1	Yoke & Shaft
18	170-720	1	Cross & Bearing Kit
19	170-047	6	Stop Nut; 3/8"
20	171-757	1	Clutch Yoke
21	171-760	2	Friction Disk
22	171-758	1	Drive Hub
23	171-759	1	Pressure Plate
24	171-761	6	Spring
25	171-762	6	Centering Washer
26	171-813	6	Bolt; 3/8" x 4-1/4"



REF	PART NO	QTY	DESCRIPTION
1	172-294	1	PTO Driveline Assy Mtg Hrd: 1/2" x 3" Bolt & LN
2	172-306	1	CV Joint & Tube Half
3	172-307	1	Yoke Assy
4	172-019	1	Spring-Lok Repair Kit
5	172-302	2	Cross & Bearing Kit
6	172-303	6	CV Center
7	172-300	1	Yoke Tube & Slip Sleeve
8	172-298	1	Inner Guard
	172-304	1	Bell Extension
9	170-219	2	Bearing Retainer
10	170-220	1	Nylon Bearing
11	171-550	1	Safety Decal
12	172-297	1	Friction Clutch & Shaft Half
13	172-299	1	Outer Guard
14	170-220	1	Nylon Bearing
15	170-219	1	Bearing Retainer
16	171-550	1	Safety Decal
17	172-301	1	Yoke & Shaft
18	170-720	1	Cross & Bearing Kit
19	170-047	6	Stop Nut; 3/8"
20	171-757	1	Clutch Yoke
21	171-760	2	Friction Disk
22	171-758	1	Drive Hub
23	171-759	1	Pressure Plate
24	171-761	6	Spring
25	171-762	6	Centering Washer
26	171-813	6	Bolt; 3/8" x 4-1/4"



DECAL & PAINT LIST

7716-TOW

The following decals are listed below for your convenience.
Use the operator's manual for decal location, part number and ordering.

Unit Decals:

PART NO	QTY	DESCRIPTION
172-425	1	Set Of Decals
171-915	1	Shield Missing . . . (Used With Upper Auger Option)
170-154	2	"KNIGHT"
170-155	2	Knight Head
170-490	1	Important - Reduce Engine Speed . . .
170-849	2	Beware Of Power Driven Parts
170-893	1	Slow Moving Vehicle Decal
171-598	2	"Slinger"
171-712	1	NOTICE - Retighten Set Screws . . .
172-370	1	NOTICE - Friction Clutch Adjustment
171-748	1	Door Position
171-820	2	DANGER - Rotating Auger Inside . . .
171-821	2	DANGER - Material Discharges . . .
172-431	2	"7716"
172-308	1	Caution - Be Sure To Operate . . .
171-913	1	WARNING - Do Not Operate . . .
171-915	1	Shield Missing . . . (Order a separate 171-915 If You Have The Upper Auger Option)
171-950	1	"U.S. Patent No. . . ."
171-992	2	Red Reflector
172-171	1	CAUTION - Read Operator's Manual

PTO Driveline Decals:

171-550	1	DANGER, PTO . . .
171-599	1	Do Not Exceed 540 RPM . . . (540 RPM PTO ONLY)
171-609	1	Do Not Exceed 1000 RPM . . . (1000 RPM PTO ONLY)
171-799	1	DANGER - Shield Missing

Paint:

170-366	Knight Yellow Aerosol Can
170-812	Knight Yellow Quart Can
170-813	Knight Yellow Gallon Can
170-367	Knight Red Aerosol Can
170-814	Knight Red Quart Can
170-815	Knight Red Gallon Can

OPTIONAL KITS

7716-TOW

Safety Chain For Towed Equipment P/N 172-195

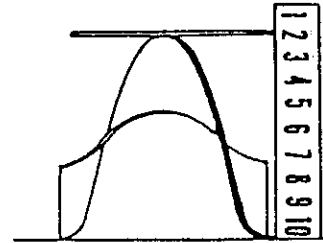
This chain is designed to retain the connection between the towing and towed machines in the event of separation of the primary attaching system. It should be used whenever the unit is transported on the highway.

Light Kit For Towed Equipment

This light kit is designed for lighting and marking of agricultural field equipment whenever the equipment is on a highway. This kit is pre-assembled, and it includes mounting hardware.

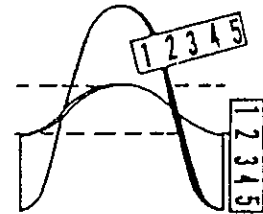
PART NO	QTY	DESCRIPTION
300-007		1 Complete Light Kit - Assembled
172-173	2	Red And Amber Light Assembly
172-174	25'	4 Conductor Wire
172-175	1	4 Pin In-Line Connector (Male & Female)
Options:		
172-110	1	7 Pin Female Connector

OUTSIDE DIAMETER: Outside diameter can be determined by laying the flight on a flat surface and measuring from the top to the base.
NOTE: Dimensions may vary slightly.

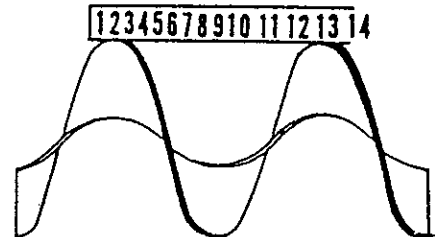


THICKNESS: Thickness of flighting can be determined with any linear measuring instrument.

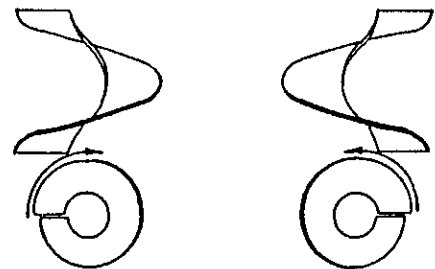
INSIDE DIAMETER: To find the inside diameter of flight, measure the distance from the inside of the flight to the peak. Then multiply the dimension by two and subtract the answer from the outside diameter dimension.



PITCH: Pitch is the dimension from one peak to the next, measured along the axis of the shaft. The term full pitch means that the outside diameter and the pitch are the same.



RIGHT HAND AND LEFT HAND FLIGHTING: As you look at the face of flighting and it is slanting downward to the right; it is right hand and if it is slanting downward to the left; it is left hand.



Flighting dimensions are written in a series similar to the following:

1/4" - 4" - 14" - 14"
Thick - I.D. - O.D. - Pitch

HARDWARE PART NUMBER LISTING

7716-TOW

All hex head bolts up to and including 7/16" dia are grade 5 unless otherwise specified. All fasteners are NC thread unless otherwise specified.

<u>Size</u>	<u>Hex Nuts</u>	<u>Locknuts</u>	<u>Jam Nuts</u>	<u>Flt Wsh.</u>	<u>Lk Wsh.</u>
#10	171-606			171-525	171-605
1/4	170-125	170-069		170-301	170-124
5/16	170-119	170-028		170-127	170-118
3/8	170-007	170-047	170-022	170-244	170-006
7/16	170-062	170-239	170-046	170-138	170-061
1/2	170-004	170-042	170-036	170-040	170-003
5/8	170-011	170-031	170-037	170-066	170-010
3/4	170-017	170-185	170-035	170-015	170-016
7/8				170-131	172-003
1				170-122	171-021

HEX HEAD BOLTS

<u>Bolt Size</u>	<u>Part No</u>	<u>Bolt Size</u>	<u>Part No</u>	<u>Bolt Size</u>	<u>Part No</u>
1/4 x 3/4	170-803	3/8 x 3	170-380	5/8 x 1-3/4	170-030
1/4 x 7/8	171-094	3/8 x 3-1/2	170-292	(Tap Bolt - Grade 5)	
1/4 x 1	170-310	3/8 x 4	170-877	5/8 x 2	170-009
1/4 x 1-1/2	170-068	3/8 x 4-1/2	170-519	(Grade 5)	
1/4 x 2-3/4	171-203	3/8 x 5	170-493	5/8 x 2	171-772
1/4 x 3	171-403	3/8 x 5-1/2	170-593	(Tap Bolt)	
5/16 x 5/8	170-532	3/8 x 6-1/2	171-291	5/8 x 2-1/2	172-381
5/16 x 3/4	170-262	7/16 x 3/4	170-265	5/8 x 3	170-258
5/16 x 7/8	170-256	7/16 x 1	170-032	5/8 x 3-1/2	170-038
5/16 x 1	170-027	7/16 x 1-1/4	170-354	5/8 x 4	170-371
5/16 x 1-1/4	170-188	7/16 x 1-1/2	170-059	5/8 x 4-1/2	170-067
5/16 x 1-1/2	170-372	7/16 x 2	170-356	5/8 x 5	170-065
5/16 x 1-3/4	170-263	7/16 x 2-1/2	170-379	5/8 x 6	170-381
5/16 x 2	170-376	7/16 x 3	170-270	5/8 x 9-1/2	171-039
5/16 x 2-1/2	170-369	7/16 x 5-1/2	170-377	3/4 x 2	170-058
5/16 x 3	170-295	7/16 x 6	170-378	3/4 x 2-1/4	171-275
5/16 x 3-1/4	171-639	1/2 x 3/4	171-252	3/4 x 2-1/2	170-374
5/16 x 4	170-293	1/2 x 1	170-149	3/4 x 3	170-014
(Tap Bolt)		1/2 x 1-1/4	170-373	3/4 x 3-1/2	170-195
5/16 x 4-1/2	170-294	1/2 x 1-1/2	170-002	3/4 x 4	170-419
3/8 x 3/4	170-439	1/2 x 2	170-050	3/4 x 4-1/2	170-846
3/8 x 7/8	170-268	1/2 x 2-1/2	170-319	(Grade 5)	
3/8 x 1	170-054	1/2 x 3	170-168	3/4 x 6	171-116
3/8 x 1-1/4	170-005	1/2 x 4	171-509	(Grade 5)	
3/8 x 1-1/2	170-368	1/2 x 4-1/2	171-573		
3/8 x 2	170-245	1/2 x 5	171-412		
3/8 x 2-1/4	170-320	5/8 x 1 (G.5)	171-087		
3/8 x 2-1/2	170-257	5/8 x 1-1/4	171-366		

HARDWARE LISTING CONTINUED

7716-TOW

TRUSS HEAD BOLTS

<u>Bolt Size</u>	<u>Part No</u>
#8 x 1-1/2	171-210
#10 x 3/4	171-604
1/4 x 1/2	170-123
1/4 x 3/4	170-193
1/4 x 1	170-194
5/16 x 1 (Grade 5)	170-117

CARRIAGE BOLTS

<u>Bolt Size</u>	<u>Part No</u>
1/4 x 1-1/2	170-355
1/4 x 2-1/2	171-394
1/4 x 3	170-509
5/16 x 1	170-370
5/16 x 2-1/2	171-395
5/16 x 5-1/2	170-494
3/8 x 3-1/2	171-283
3/8 x 4-1/2	170-191
3/8 x 5	170-495
3/8 x 6-1/2	171-174
3/8 x 8	170-297
1/2 x 6-1/2	171-098
1/2 x 9	171-255

ZERKS

<u>Size</u>	<u>Part No</u>
1/4-28	170-023
1/4-28 - 45	170-148
1/4-28 - 90	170-049
1/4 NPT	170-277
1/8 NPT	170-865
1/8 NPT-45	170-864
1/8 NPT-65	170-215
1/8 NPT-90	170-866

COTTER PINS

<u>Size</u>	<u>Part No</u>
1/16 x 1/2	170-992
3/32 x 3/4	170-364
1/8 x 3/4	170-177
1/8 x 1	170-045
1/8 x 1-1/4	170-033
1/8 x 1-1/2	170-382
5/32 x 1	170-421
5/32 x 1-1/2	170-236
5/32 x 3	170-135
3/16 x 1-1/4	170-991
3/16 x 2	170-115
1/4 x 1-1/2	170-521
1/4 x 2	170-056

SET SCREWS

<u>Size</u>	<u>Part No</u>
1/4 x 1/4 NC	170-247
5/16 x 5/16NC	170-248
5/16 x 1/2 NC	170-254
5/16 x 1/4 NF	170-993
5/16 x 5/16NF	170-825
5/16 x 5/8 NF	170-456
3/8 x 1/4 NC	170-856
3/8 x 3/8 NC	170-151
3/8 x 1/2 NC	170-857
(nylock)	
3/8 x 3/4 NC	170-289
(sq head)	
3/8 x 3/4 NC	170-290
(sq hd drilled)	
3/8 x 1 NC	170-021
3/8 x 1/2 NF	171-469
7/16 x 7/16NC	170-288
7/16 x 1 NC	170-147
(sq head)	
1/2 x 5/8 NC	170-249
1/2 x 1 NC	170-438
1/2 x 1-1/4NC	171-085
(half dog point)	
5/8 x 5/8 NC	170-250

ROLLER CHAIN
CONNECTOR LINKS

<u>Size</u>	<u>Part No</u>
#50-2R	170-094
#50	170-088
#60-2R	170-095
#60	170-089
#60H	171-102
#80	170-090
#80H	170-821
#100	170-091
#100H	171-969
#120	170-092
#140	170-093
#160	170-888

OFFSET LINKS

<u>Size</u>	<u>Part No</u>
#50	170-096
#60-2R	170-103
#60	170-097
#80	170-098
#80H	170-820
#100	170-099
#120	170-100
#140	170-101
#160	170-887

ROLLER LINKS

<u>Size</u>	<u>Part No</u>
#50	171-415
#60	171-416
#80	171-417
#80H	170-795
#120	171-419
#140	171-420

PART NUMBER INDEX

7716-TOW

<u>Part No.</u>	<u>Page</u>	<u>Part No.</u>	<u>Page</u>	<u>Part No.</u>	<u>Page</u>	<u>Part No.</u>	<u>Page</u>
101-596	13	133-604	7	170-800	3	172-019	14, 15
101-601	13	133-630	13	170-812	16	172-110	17
101-602	3	133-640	13	170-813	16	172-171	16
101-606	3	133-655	13	170-814	16	172-173	17
101-608	13	133-656	13	170-815	16	172-174	17
101-609	13	134-155	3, 11	170-820	20	172-175	17
101-610	11	134-279	5	170-835	3, 7, 11	172-284	9
101-611	11	134-459	5	170-845	5	172-293	5, 7
101-613	9	134-460	7	170-849	16	172-294	15
101-614	9	134-665	7	170-893	16	172-295	14
101-616	9	134-666	7	170-984	9	172-296	14
101-617	9	134-668	3	170-985	9	172-297	14, 15
101-618	5	134-669	7	170-987	9	172-298	14, 15
101-634	13	134-690	3	171-030	5	172-299	14, 15
101-636	11	170-000	3	171-045	5	172-300	14, 15
101-761	5	170-008	3, 7, 11	171-309	5	172-301	14, 15
101-817	3	170-031	7	171-550	14-16	172-302	14, 15
101-832	3	170-037	7	171-585	5	172-303	14, 15
101-911	5	170-047	14, 15, 19	171-586	7	172-305	14
101-954	11	170-052	5	171-592	3	172-306	15
101-979	13	170-053	3, 11	171-598	16	172-307	15
101-985	7	170-066	7	171-599	16	172-308	16
101-986	7	170-073	5, 7	171-607	5	172-353	5, 7
101-988	7	170-087	11	171-609	16	172-370	16
101-997	13	170-108	3	171-618	11	172-421	7
130-175	3	170-110	11	171-712	16	172-422	7
130-391	3	170-112	9	171-745	9	172-425	16
131-552	13	170-131	9	171-748	16	172-431	16
132-678	5	170-132	9	171-750	5	300-007	17
133-277	11	170-154	16	171-757	14, 15		
133-278	5	170-155	16	171-758	14, 15		
133-316	5	170-170	5	171-759	14, 15		
133-323	11	170-219	14, 15	171-760	14, 15		
133-361	13	170-220	14, 15	171-761	14, 15		
133-376	11	170-232	5	171-762	14, 15		
133-445	7	170-235	5	171-764	5		
133-475	3	170-236	7, 9, 20	171-766	5		
133-476	3	170-263	11	171-767	5		
133-477	5	170-361	11	171-769	3		
133-509	5	170-366	16	171-777	5		
133-530	3	170-367	16	171-779	9		
133-531	3	170-386	9	171-782	5		
133-532	3	170-397	9	171-799	16		
133-533	5	170-445	5	171-813	14, 15		
133-540	3	170-479	5	171-821	16		
133-544	13	170-490	16	171-826	9		
133-545	13	170-499	3, 5	171-827	9		
133-546	3	170-545	9	171-860	9		
133-547	11	170-546	9	171-913	16		
133-548	11	170-550	9	171-915	16		
133-552	11	170-553	9	171-941	9		
133-556	13	170-554	9	171-950	1		
133-557	13	170-556	9	171-992	16		
133-565	9	170-720	14, 15	172-005	3		
133-596	5	170-755	9	172-006	5		