

Slinger Model 7725 Tow Type

SERVICE PARTS LISTING

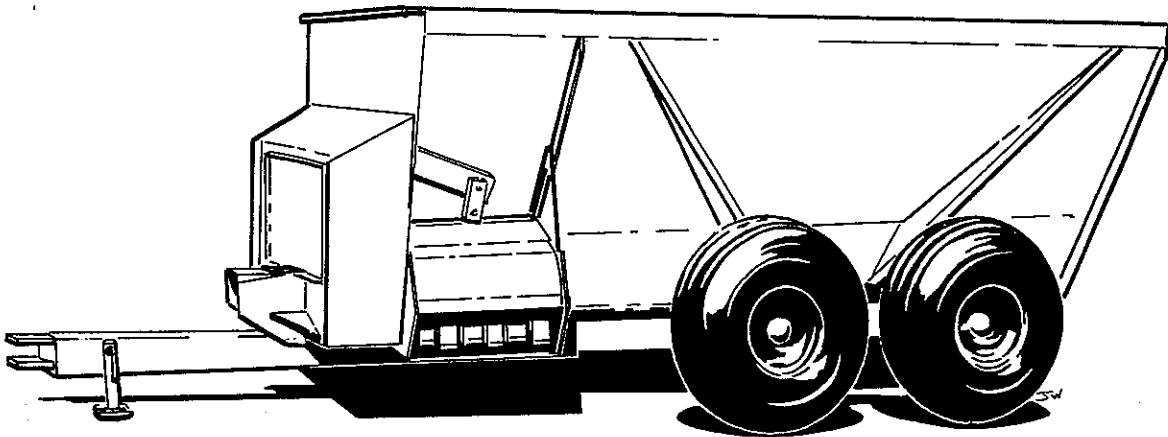


TABLE OF CONTENTS

Using This Listing.....1
Front End Parts.....2-5
Discharge Parts.....6-7
Running Gear Parts.....8-9
Rear End Parts.....10-11
Top Guard & Auger Parts.....12-13
540 & 1000 RPM PTO Driveline.....14-15
Decal & Paint List.....16
Optional Kits.....17
Flighting Terms & Dimensions.....18
Hardware Listing.....19-20

Catalog P/N 005488 R063092 Unit Serial Number: _____
Operator Instruction Manual For This Unit Is #005481

ABBREVIATIONS

7725-TOW

Assy	Assembly
A/R	As Required
B	Bolt
Brg	Bearing
BSN	Before Serial Number
BTM	Bottom
C Bolt	Carriage Bolt
Cttr	Cotter
CV	Constant Velocity (Joint)
Dia	Diameter
ea	Each
Eq or Equiv	Equivalent
FLN	Flanged Lock Nut
FW	Flat Washer
Ga	Gauge
Gr or Grd	Grade
Hd	Head
Hyd	Hydraulic
ID	Inside Diameter
Ill or Illus	Illustration
Ind	Indicator
KW	Keyway
LH	Left Hand
LW	Lock Washer
Mtg Hrd	Mounting Hardware
NC	National Coarse
NF	National Fine
OD	Outside Diameter
Pc(s)	Piece(s)
PD	Pitch Diameter
PTO	Power Takeoff (Shaft)
Q or Qty	Quantity
Reg Mach	Regular Machine
RH	Right hand
SN	Serial Number
S.S.	Setscrew
Sprkt	Sprocket
Sq	Square
Std	Standard
UASN	Used After Serial Number
UBSN	Used Before Serial Number

USING THIS SERVICE PARTS LISTING

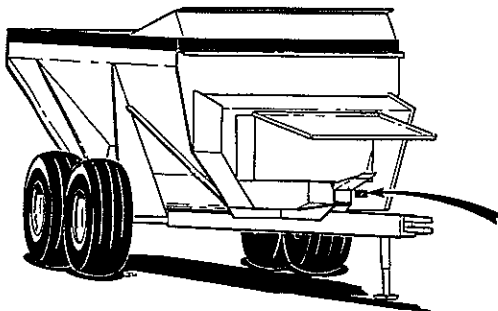
7725-TOW

This listing uses a number indentation system to specify the parts of an assembly. Any number which is indented to the right, indicates that it is a component of the item to the upper left. Example:

<u>Part no</u>	<u>Description</u>	<u>Qty</u>
uuu-uuu	Assembly A	2
vvv-vvv	Sub-Assembly B (Component of A)	3
www-www	Component of B	5
xxx-xxx	Another Com- ponent of B	1
yyy-yyy	Sub-Assembly C (Component of A)	1
etc.		

Using this system, the sub-assemblies and their components are included if an Assembly is ordered. Similarly, the components of a sub-assembly are included if a sub-assembly is ordered.

The quantity (qty) associated with an assembly, represents the number of times an assembly could be shown in the drawing. The sub-assembly quantity however, is the number of times a sub-assembly is used to build one assembly. Similarly, the component quantity refers to the number of times a given component is found in one sub-assembly.



Serial Number Location
Front View
Figure A

MODEL AND SERIAL NUMBER INFORMATION is located below the drive shielding (Fig. A). The model number, serial number and part number should be known when asking service personnel for parts.

If you cannot find the part you need, be as descriptive as possible when placing an order:

Sprockets: give the bore size, number of teeth, and number and size of keyways.

Roller chain: give the size of chain (stamped on the side of each link) and number of links.

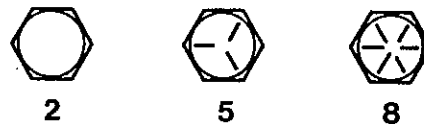
Shafting: give the diameter, length, and number and size of keyways.

Hardware is generally not included with parts. If you need any hardware, check the size, the length, and the grade (Fig. B), then check the hardware list in this manual for the part numbers. All hex head bolts up to and including 7/16" diameter are grade 5, and nuts are grade B unless otherwise stated.

The hardware listing also includes listings for zerks, cotter pins, set screws, and roller chain links.

The illustrations in this manual are meant to be used only as a guide for identifying parts and locating their relative positions.

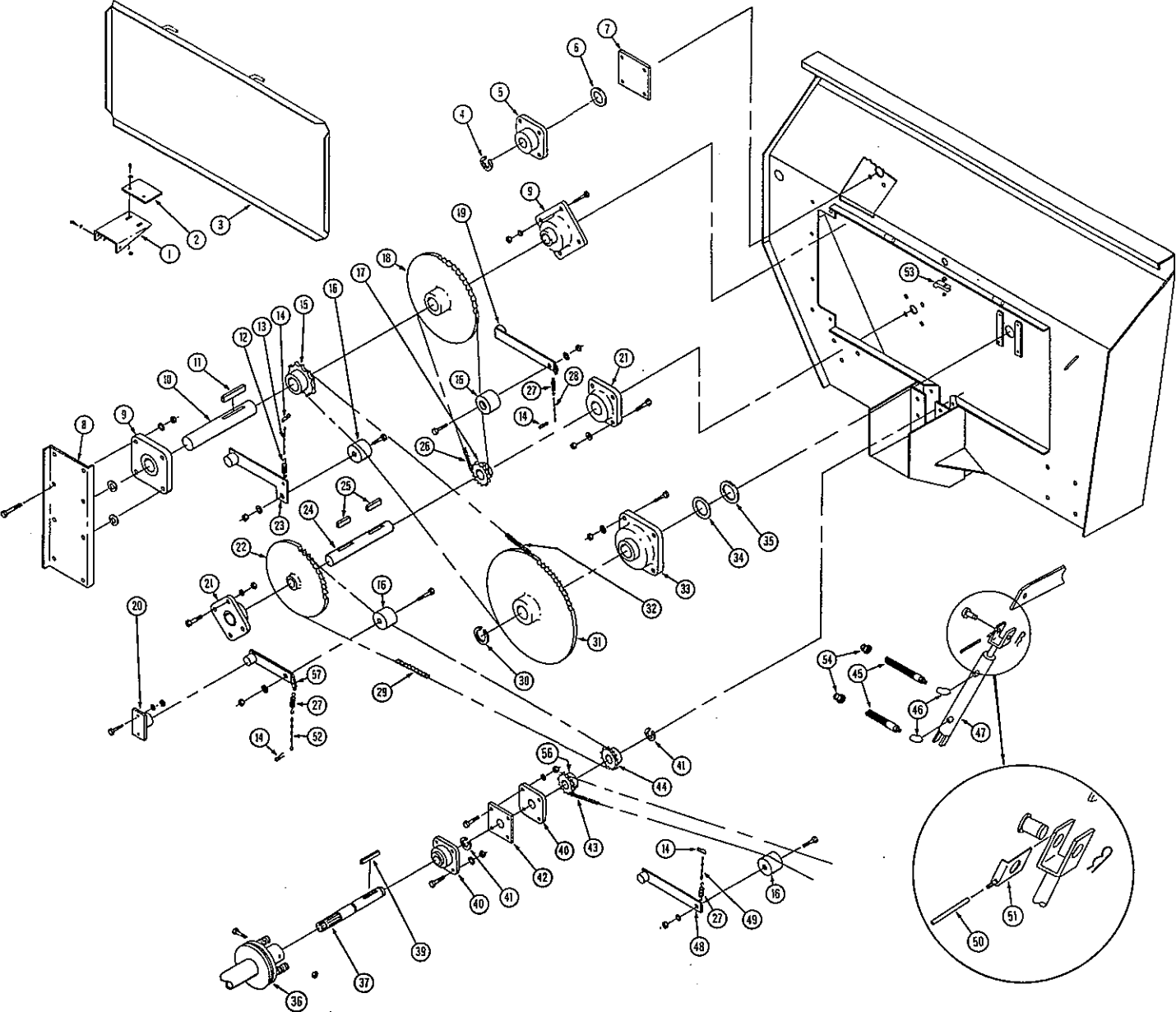
Bolt Grades



Bolt Head Grade Markings
Figure B

FRONT END PARTS

7725-TOW



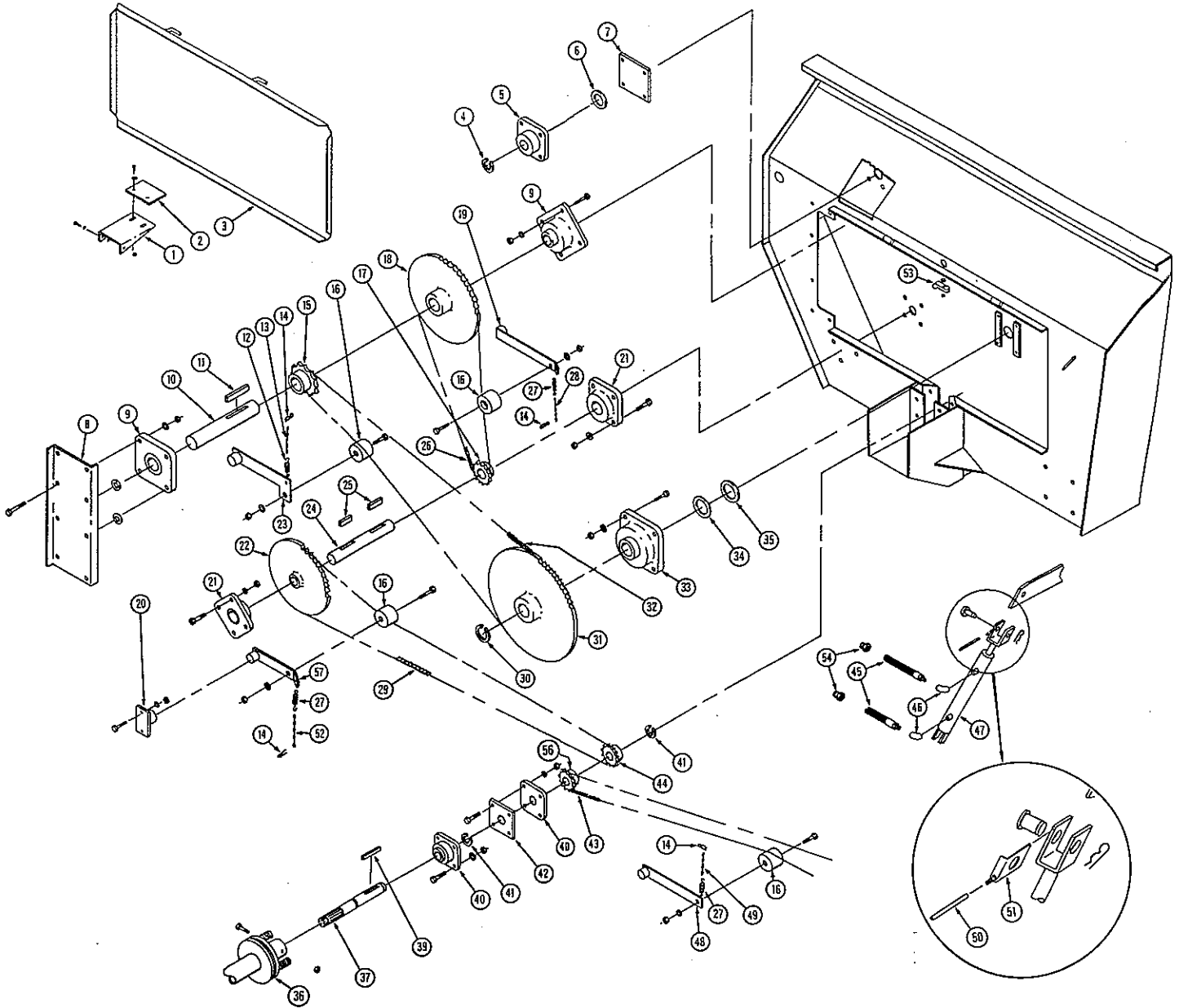
FRONT END PARTS

7725-TOW

REF	PART NO	QTY	DESCRIPTION
1	134-691	1	PTO Driveline Shield Assy (134-667 Shield With 171-993 Decal) Mtg Hrd: 5/16" x 3/4" Bolt, FLN & 171-393 Belleville Washer (2 ea)
2	134-668	1	PTO Driveline Shield Belt Mtg Hrd: 5/16" x 3/4" Bolt, FW & FLN (2 ea)
3	101-606	1	Front Shield Assembly
4	170-499	1	Snap Ring; 1-3/8", Truarc 5160-137 Or Equiv
5	170-000	1	Bearing; 1-3/8", FYH UCF 207-22E Or Equiv Mtg Hrd: 1/2" x 1-3/4" Bolt, LW & Nut (4 ea)
6	133-546	1	Seal; 1-3/8" ID x 2-1/2" OD
7	133-540	1	Front Cover Plate (Not Used With Upper Auger) Mtg Hrd: 1/2" x 1" Bolt, LW & Nut (4 ea)
8	133-531	1	Bearing Mount Mtg Hrd: 1/2" x 1" Bolt, LW & Nut (4 each)
9	170-053	2	Bearing; 2-1/2", FYH UCF X13-40E L-III Mtg Hrd: Outer Brg: 5/8" x 2" B, LW, Nut (4 ea) & FW (2) Inner Brg: 5/8" x 1-3/4" Bolt, LW & Nut (4 ea)
10	133-530	1	Shaft; 2-1/2" Dia
11	171-769	1	Key; 5/8" x 4-3/8"
12	172-005	1	Spring; 6" Long
13	171-592	1	Machine Chain; #4 x 46 Link
14	170-800	4	Clinch Pin
15	130-175	1	Sprocket; 120-B-12, 2-1/2" Bore, 5/8" KW
16	134-155	4	Tightener Block Mtg Hrd: 1/2" x 2-3/4" Bolt, LW, FW & Nut
17	130-391	1	Sprocket; 80-B-13, 2" Bore, 1/2" KW
18	133-475	1	Sprocket; 80-B-54, 2-1/2" Bore, 5/8" KW
19	101-817	1	Chain Tightener Arm
20	101-602	1	Chain Tightener Arm Mount Mtg Hrd: 5/16" x 3/4" Bolt, LW & Nut (2 ea)
21	170-008	2	Bearing; 2", FYH UCF X10-32E L-III Or Equiv Mtg Hrd: 5/8" x 1-3/4" Tap Bolt, LW & Nut (3 ea)
22	133-476	1	Sprocket; 60-B-55, 2" Bore, 1/2" KW
23	101-832	1	Chain Tightener Arm
24	133-532	1	First Counter Shaft; 2" Dia
25	170-835	2	Key; 1/2" x 1-1/2"
26	170-108	1	Roller Chain; 80-1-70 Pitch, W/Connector Link

FRONT END PARTS

7725-TOW



FRONT END PARTS

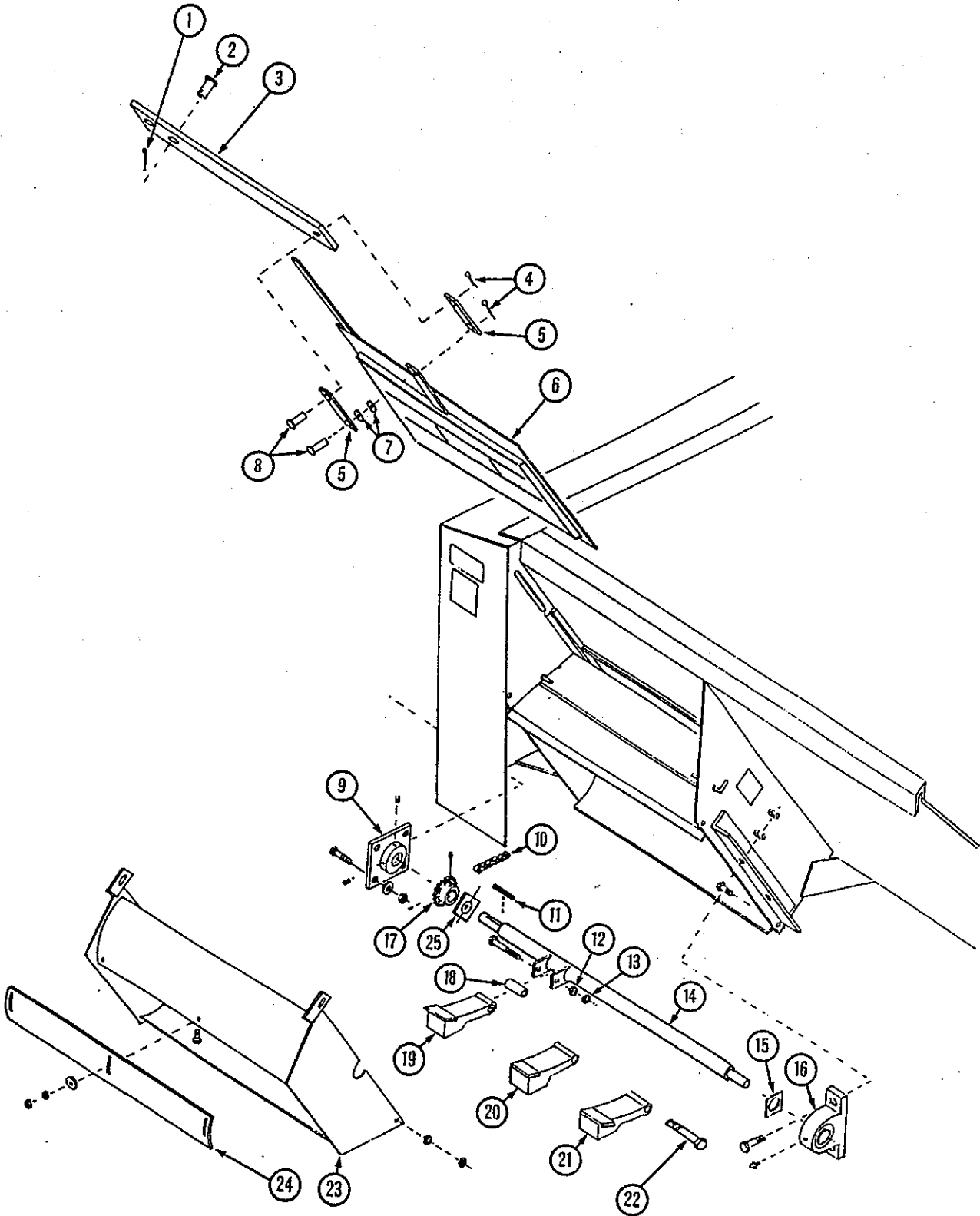
7725-TOW

REF	PART NO	QTY	DESCRIPTION
27	172-006	3	Spring; 4-5/8" Long
28	171-045	1	Machine Chain; #4 x 22 Link
29	171-766	1	Roller Chain; 60-1-94 Pitch, W/C Link (540 RPM)
29	171-767	1	Roller Chain; 60-1-89 Pitch, W/C Link (1000 RPM)
30	171-607	1	Snap Ring; 3-1/2", Truarc 5100-350 Or Equiv
31	133-596	1	Sprocket; 120-B-60, 3-1/4" Splined Bore
32	171-764	1	Roller Chain; 120-1-76 Pitch, W/Connector Link
33	170-445	1	Bearing; 3-1/2", PTC 22456E Or Equiv Mtg Hrd: 3/4" x 3" Bolt, LW & Nut (4 ea)
34	134-279	1	Spacer
35	133-278	1	Seal; 3-1/2" ID x 5" OD
36	172-194	1	PTO Driveline (540 RPM)
36	172-211	1	PTO Driveline (1000 RPM)
37	134-670	1	Input Shaft; 1-3/8" Dia
39	170-052	1	Key; 3/8" x 2-1/8"
40	171-585	2	Bearing; 1-3/8", FYH NANF 207-22 Or Equiv Mtg Hrd: 1/2" x 1-3/4" Bolt, LW & Nut (4 ea)
41	170-499	2	Snap Ring; 1-3/8", Truarc 5160-137 Or Equiv
42	133-316	1	Bearing Spacer
43	172-293	1	Roller Chain; 60H-1-96 P., W/C Link (540 RPM)
43	172-353	1	Roller Chain; 60H-1-88 P., W/C Link (1000 RPM)
44	133-477	1	Sprocket; 60-B-27, 1-3/8" Bore (540 RPM)
44	132-678	1	Sprocket; 60-B-15, 1-3/8" Bore (1000 RPM)
45	171-309	2	Hydraulic Hose; 1/4" x 132"
46	171-030	2	Swivel Adapter; 3/8" - 90 Degrees
47	170-232	1	Hyd Cylinder; 2-1/2" x 8" (Includes 170-073 Pins & 170-074 Hairpin Clips) (Seal Kit #170-464)
48	101-761	1	Chain Tightener Arm
49	170-479	1	Machine Chain; #4 x 9 Link
50	133-509	1	Door Height Indicator
51	101-618	1	Door Gauge Bracket
52	170-845	1	Chain; #4 x 17 Link
53	171-782	1	Clamp; Hose Holder Mtg Hrd: 5/16" Nut & FLN
54	170-235	2	Reducer Bushing; 1/2" To 3/8"
56	134-461	1	Sprocket; 60-B-36, 1-3/8" B. (540 RPM)
56	134-459	1	Sprocket; 60-B-20, 1-3/8" B. (1000 RPM)
57	101-911	1	Chain Tightener Arm

ORIGINAL

DISCHARGE PARTS

7725-TOW



DISCHARGE PARTS

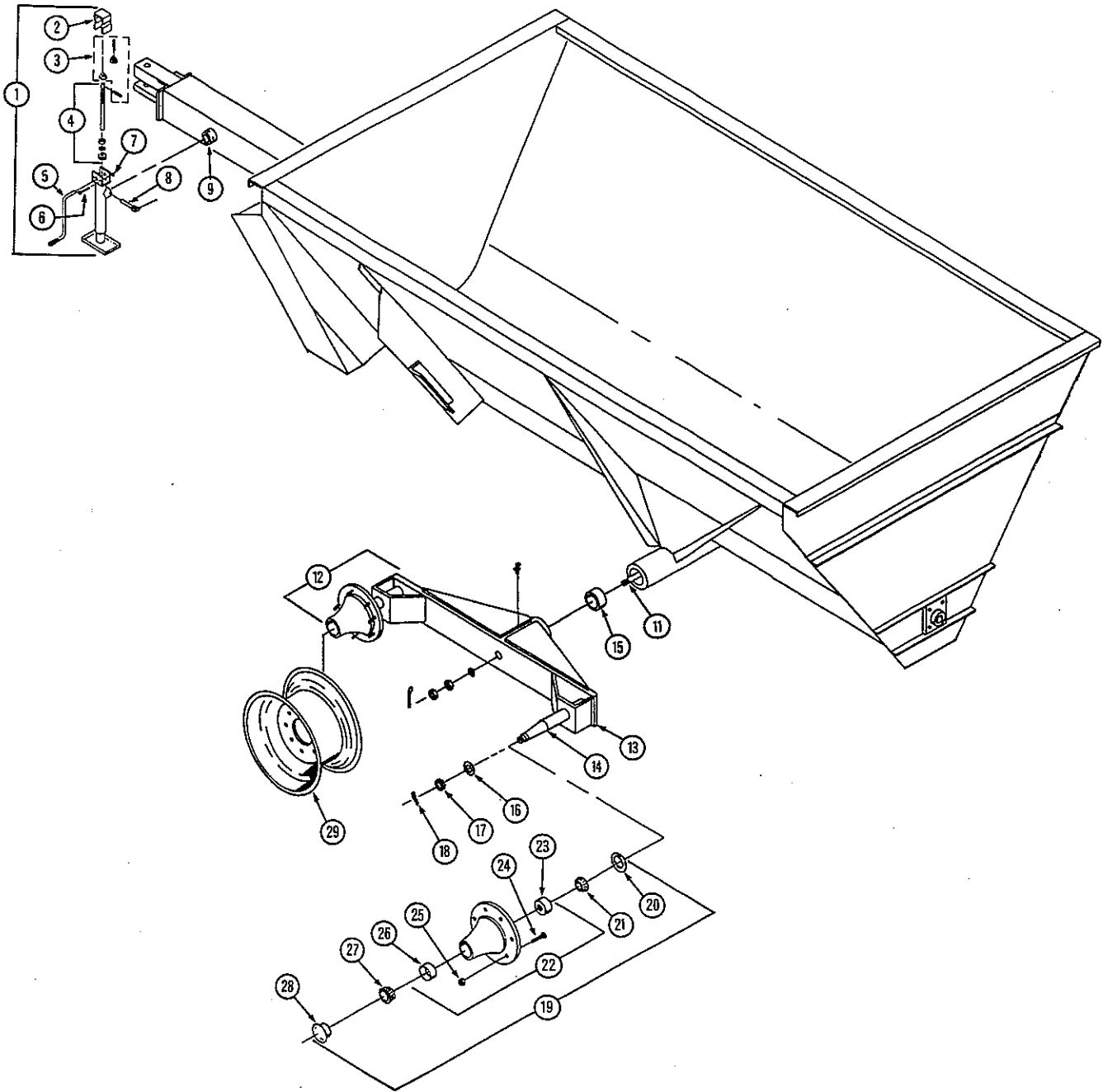
7725-TOW

REF	PART NO	QTY	DESCRIPTION
1	170-074	1	Hairpin Clip
2	170-073	1	Clevis Pin; 1" Dia
3	134-665	1	Pivot Bar
4	170-236	2	Cotter Pin; 5/32" x 1-1/2"
5	133-445	2	Door Linkage Bar
6	101-986	1	Discharge Door Assembly
7	170-066	2	Flat Washer; 5/8"
8	171-696	2	Clevis Pin; 5/8" x 2"
9	170-008	1	Bearing; 2", FYH UCF X10-32E L-III Or Equiv Mtg Hrd: 5/8" x 1-3/4" Tap Bolt, LW & Nut (4 ea)
10	172-293	1	Roller Chain; 60H-1-96 Pitch, W/C Link (540 RPM)
10	172-353	1	Roller Chain; 60H-1-88 Pitch, W/C Link (1000 RPM)
11	170-835	1	Key; 1/2" x 1-1/2"
12	170-037	15	Jam Nut; 5/8" Grade 8
13	170-031	15	Locknut; 5/8"
14	101-988	1	Hammer Shaft Assembly
15	133-604	1	Poly-Shaft Seal
16	171-586	1	Bearing; 2" Pillow Block, FYH NAP 211-32 L-III Mtg Hrd: 5/8" x 2-1/2" Bolt, FW, LN, & JN (2 ea)
17	134-460	1	Sprocket; 60-B-23, 2" Bore, 1/2" KW
18	172-422	15	Hammer Sleeve
19	101-548 ^A	1	Front Hammer (Tip #133-299)
20	101-586 ^A	13	Main Hammer (Tip #133-298)
21	101-549 ^A	1	Rear Hammer (Tip #133-299) Use AWS E10018 Electrode Or Greater For Welding Replacement Tips
22	172-421	15	Bolt; 5/8" x 5-1/2", Hex Head Grade 5
23	101-985	1	Door Shroud Assy; Mtg Hrd: 3/8" x 1" Bolt, LN (4 ea) & 3/8" Heavy FW (2 ea)
24	134-666	1	Shroud Visor Mtg Hrd: 5/16" x 1" Bolt, FW, LW & Nut (3 ea)
25	134-669	1	Poly-Shaft Seal; Mtg Hrd: 1/4" x 1" Bolt, FW, LN & 171-083 FW (1 ea.)

A: Use Stulz Manganese-XL or Equiv. Welding Electrodes for Hammer repair. Order Kit 300-030 - Quantity as required.

RUNNING GEAR PARTS

7725-TOW



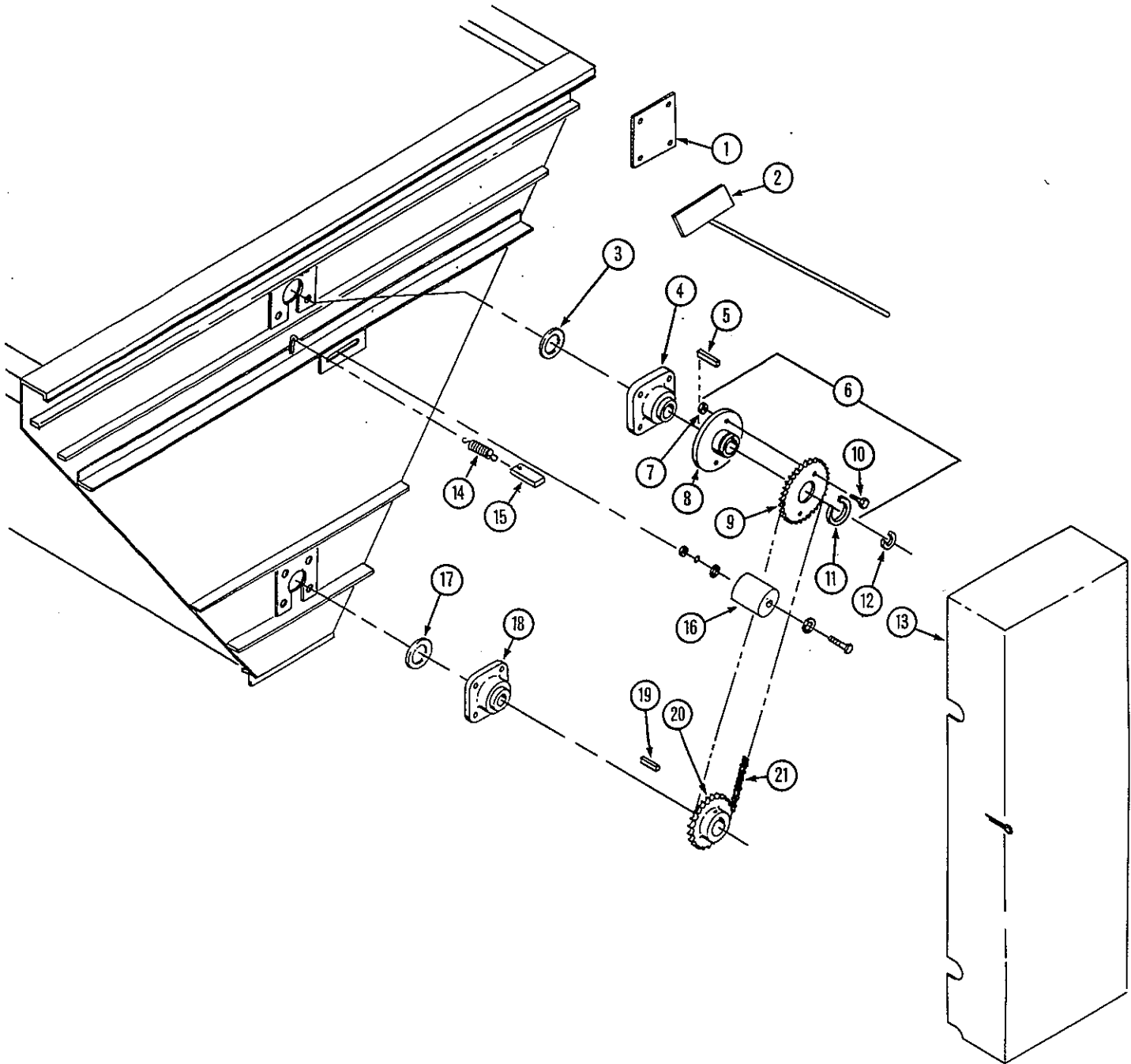
RUNNING GEAR PARTS

7725-TOW

REF	PART NO	QTY	DESCRIPTION
1	171-610	1	Jackstand Assembly
2	171-814	1	Cover
3	171-614	1	Gear Kit
4	171-611	1	Screw, Nut, Bearing & Washer Assembly
5	171-612	1	Crank Assembly
6	170-509	1	Carriage Bolt; 1/4" x 3"
7	170-125	2	1/4" Nut
8	171-613	1	Pull Pin
9	171-615	1	Mount Tube Assembly
11	101-613	1	Tie Rod Assembly Mtg Hrd: 3/4" Nut, Jam Nut, (170-236) Cotter Pin (1 ea) & FW (2)
	101-646	1	RH Bogie Assembly
	101-644	1	RH Bogie Weldment
	170-865	1	Grease Zerk
12	101-645	1	LH Bogie Assembly
13	101-643	1	LH Bogie Weldment
	170-865	1	Grease Zerk
14	171-808	1	Spindle; 3"
15	133-565	1	Bushing; Bogie Pivot
16	171-832	1	Spindle Washer
17	171-833	1	Castle Nut; 1" NF
18	170-056	1	Cotter Pin; 1/4" x 2"
19	171-815	1	8-Bolt Hub Assembly
20	171-831	1	Grease Seal
21	171-828	1	Inside Bearing Cone
22	171-823	1	8-Bolt Hub
23	171-824	1	Inside Bearing Race
24	171-826	8	Wheel Stud; 5/8"
25	171-827	8	Wheel Nut; 5/8"
26	171-825	1	Outside Bearing Race
27	171-829	1	Outside Bearing Cone
28	171-830	1	Dust Cap
29	171-809	4	Wheel; 16.1" x 16", 8-Hole
29	172-229	4	Wheel; 22-1/2" x 11-1/4"

REAR END PARTS

7725-TOW



REAR END PARTS

7725-TOW R110993

REF	PART NO	QTY	DESCRIPTION
1	133-323	1	Rear Cover Plate (Not Used With Upper Auger)
2	101-636	1	Cleaning Tool
3	133-376	1	Seal; 2" ID x 3-1/2" OD
4	170-008	1	Bearing; 2", FYH UCF X10-32E L-III Or Equiv Mtg Hrd: 5/8" x 2" Bolt, LW, & Nut (4 ea) (Use 171-049 Spacer Washer As Required)
5	172-758*	1	Key; 1/2" x 1-5/8" (Hardened)
6	101-955	1	Shear Sprocket Assembly
7	170-047	2	3/8" Lock Nut
8	101-953 ^A	1	Hub
9	134-618 ^A	1	Sprocket; 80-A-54
10	170-245	2	Bolt; 3/8" x 2", Grade 5
11	170-087	1	Snap Ring; 3-1/4", Truarc 5100-325 Or Equiv
12	170-361	1	Snap Ring; 2", Truarc 5160-200 Or Equiv
13	102-002	1	Upper Auger Drive Shield
14	170-110	1	Spring
15	133-552	1	Belt; Spring Handle
16	134-155	1	Poly Block Mtg Hrd: 1/2" x 2-3/4" Bolt, LW, Nut (1 ea) & FW (2)
17	133-277	1	Seal; 2-1/2" ID x 3-1/2" OD
18	170-053	1	Bearing; 2-1/2", FYH UCF X13-40E L-III Mtg Hrd: 5/8" x 2" Bolt, LW, & Nut (4 ea)
19	171-618	1	Key; 5/8" x 1-1/2"
20	130-173	1	Sprocket; 80-B-15, 2-1/2" Bore, 5/8" KW (1/2" X 5/8 Setscrew, 170-249, 2 Req'd)
21	172-384	1	Roller Chain; 80-1-96 Pitch, W/C Link

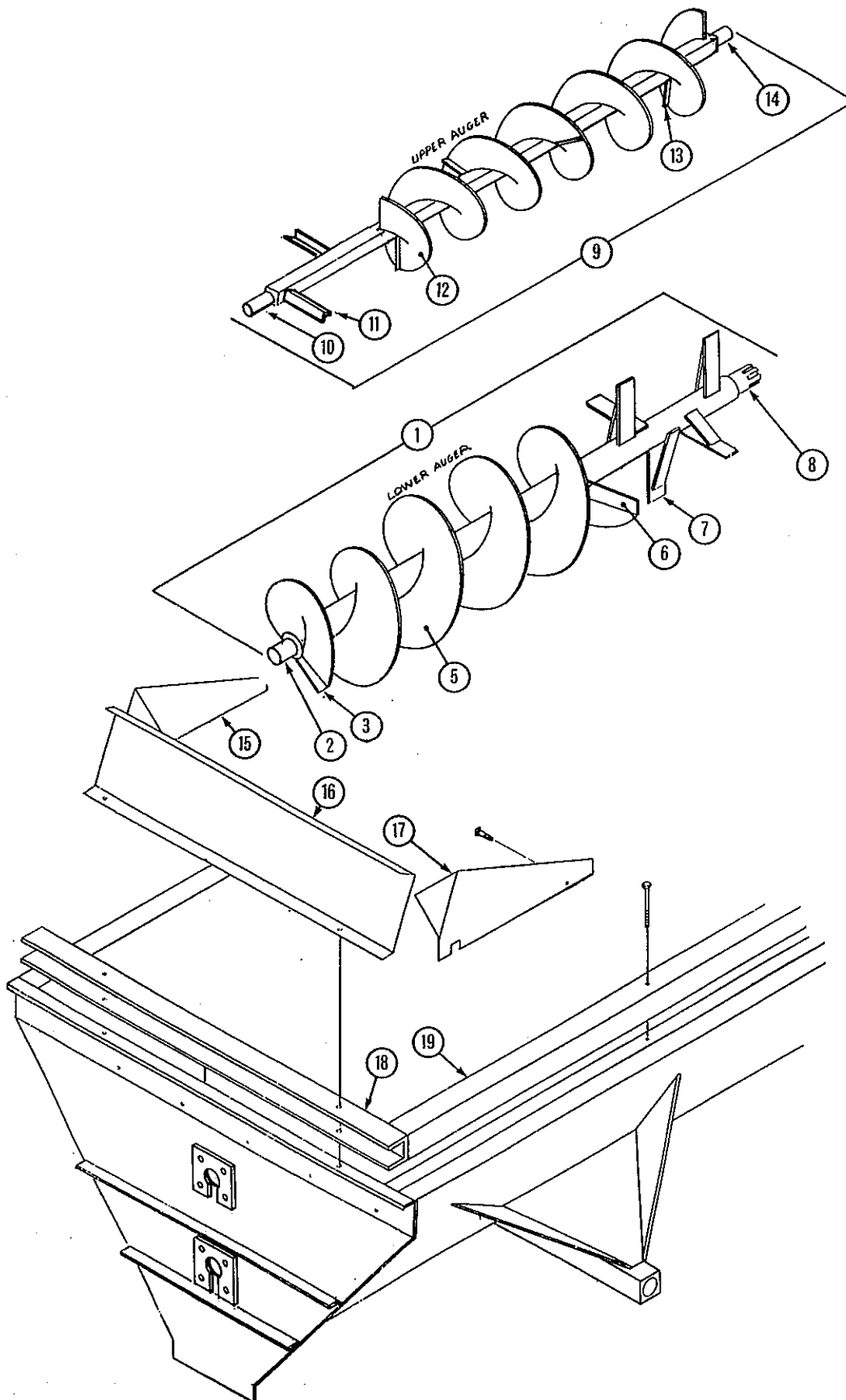
*: Hardened key 172-758 is required when 101-953 hub is used.

A: New shear sprocket and shear hub parts may have misaligned shear bolt holes. If holes are misaligned, use shear hub as drill guide to drill holes in shear sprocket.

KNIGHT MANUFACTURING CORP. PO BOX 167 BRODHEAD, WI 53520
OFFICE: (608)897-2131 PARTS/SERVICE: (608)897-2125 FAX: (608)897-2561 11

TOP GUARD & AUGER PARTS

7725-TOW



TOP GUARD & AUGER PARTS

7725-TOW

REF	PART NO	QTY	DESCRIPTION
1	101-997	1	Lower Auger Assembly
2	101-601	1	Rear Plug Assembly
3	131-552	1	Rear Flighting Support Bar
5	133-361	6	Flighting; 3/8" x 5-1/2" x 24" x 24" LH
6	133-630	1	Front Flighting Support Bar (Tapered)
7	101-596	6	Paddle Assembly
8	101-634	1	Front Plug Assembly
9	101-956	1	Upper Auger Assembly
10	101-609	1	Rear Plug
11	133-545	2	Paddle
12	134-619	1	Flight; 5" x 20" x 20" x 137" RH
13	134-622	4	Auger Brace
14	101-608	1	Front Plug
15	133-556	1	Splash Guard Side (RH Front & LH Rear)
16	133-618	1	Splash Guard End Mtg Hrd: 5/16" x 1" Bolt, LW, Nut (7 ea) & FW (14)
17	133-557	1	Splash Guard Side (LH Front & RH Rear) Mtg Hrd: To Wood Rail: 3/8" x 3-1/2" C Bolt & Nut (4 ea) To Side Panel: 3/8" x 1" Bolt, LW & Nut (4 ea)
18	133-617	2	End Panel Extension Mtg Hrd: 5/16" x 1" Bolt, LW, Nut (3 ea), FW (8) & 3/8" x 2-1/2" Lag Screw (2)
19	133-640	2	Wood Rail; 3" x 4" x 168" Mtg Hrd: 3/8" x 4-1/2" Carriage Bolt & Nut (5 ea)

PTO DRIVELINE & FRICTION CLUTCH

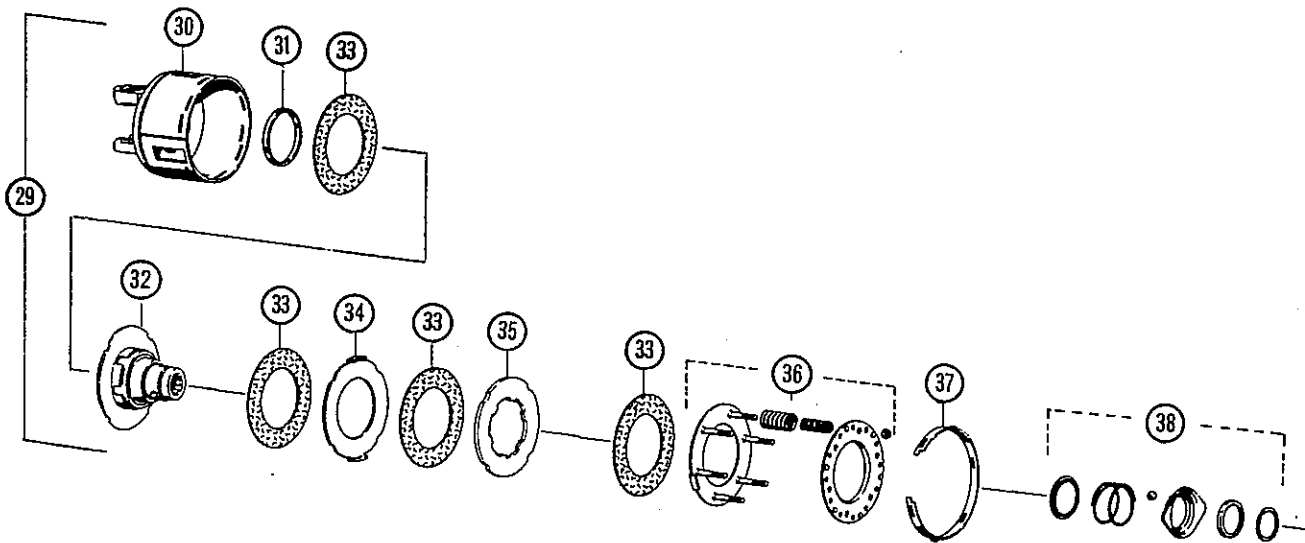
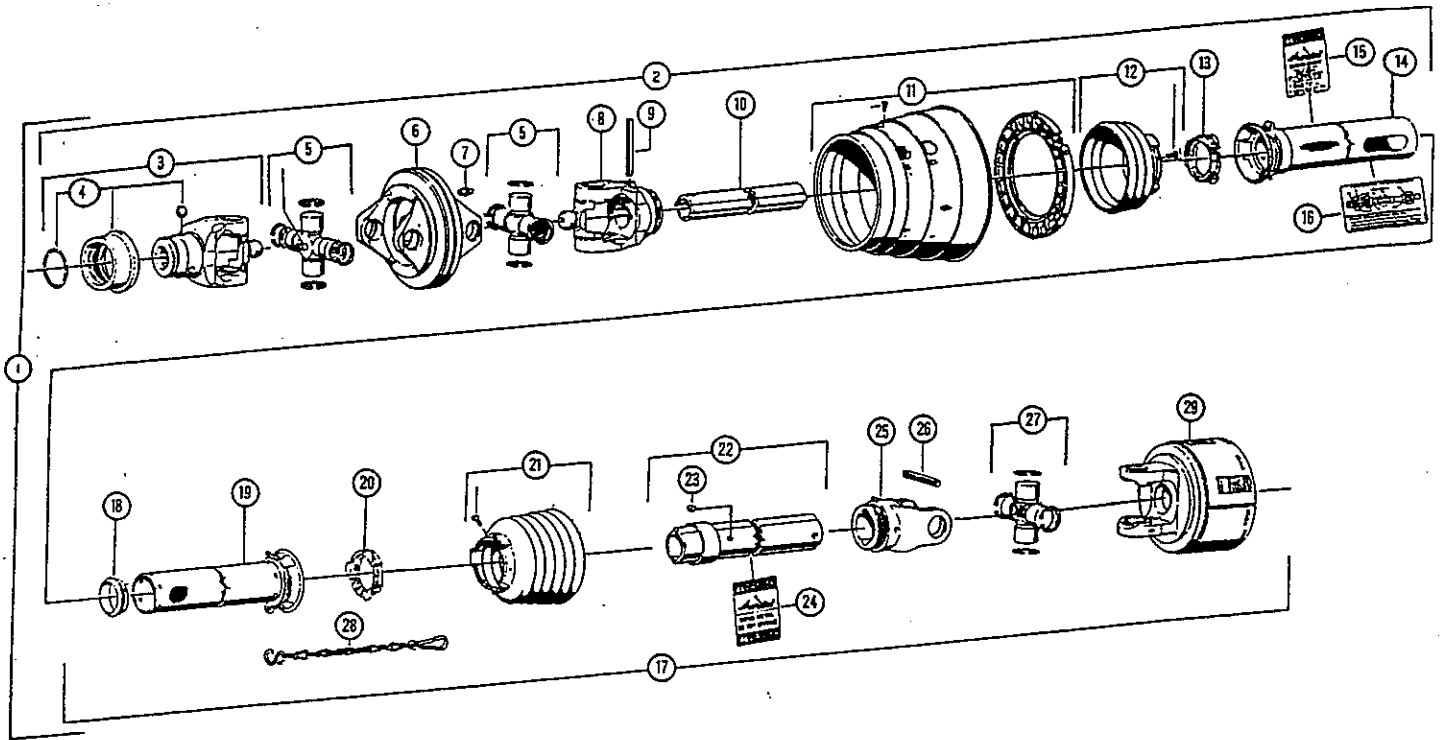
7725-TOW

Waltershied Constant Velocity PTO

REF	PART NO	QTY	DESCRIPTION
1	172-194	1	Wide Angle PTO Drive Shaft W/Shielding (540 RPM)
1	172-211	1	Wide Angle PTO Drive Shaft W/Shielding (1000 RPM)
2	172-222	1	Male Wide Angle Half Shaft W/Shielding (540 RPM)
2	172-404	1	Male Wide Angle Half Shaft W/Shielding (1000 RPM)
3	172-200	1	End Yoke (540 RPM)
3	172-203	1	End Yoke (1000 RPM)
4	172-028	1	Quick Disconnect Kit
5	172-204	2	Cross & Bearing Kit
6	172-202	1	CV Double Yoke
7	172-208	1	Grease Zerk
8	172-201	1	Inboard Yoke
9	171-983	1	Spring Pin
10	172-196	1	Inner Profile
11	172-205	1	CV Cone & Bearing Assembly Mtg Hrd: #172-210 Screw (2 ea)
12	172-206	1	Shield Cone; Three Rib Mtg Hrd: #172-210 Screw (3 ea)
13	171-979	1	Bearing Ring
14	172-199	1	Outer Shield Tube W/Cap
15	171-550	1	Decal; Danger - Rotating Driveline
16	172-227	1	Decal; Lubrication Requirements
17	172-223	1	Female Half Shaft With Shielding
18	172-207	1	Support Bearing
19	172-198	1	Inner Shield Tube W/Cap
20	171-979	1	Bearing Ring
21	172-030	1	Shield Cone; Six Rib Mtg Hrd: #172-210 Screw (3 ea)
22	172-197	1	Outer Profile & Sleeve
23	172-209	1	Grease Zerk
24	171-799	1	Decal; Danger, Shield Missing...
25	172-033	1	Inboard Yoke
26	171-983	1	Spring Pin
27	171-980	1	Cross & Bearing Kit
28	172-040	1	Safety Chain
29	***-***	1	Friction Clutch, Can't Be Purchased Assembled
30	172-037	1	Clutch Housing
31	172-038	1	Ring
32	172-036	1	Hub & Drive Plate
33	171-977	4	Friction Disk
34	171-976	1	Drive Plate
35	171-975	1	Drive Plate
36	171-974	1	Spring Pack
37	171-978	1	Setting Ring
38	172-029	1	Quick Disconnect Flange Kit

PTO DRIVELINE & FRICTION CLUTCH

7725-TOW



KNIGHT MANUFACTURING CORP. PO BOX 167 BROADHEAD, WI 53520
OFFICE: (608)897-2131 PARTS/SERVICE: (608)897-2125 FAX: (608)897-2561 15

DECAL & PAINT LIST

7725-TOW

The following decals are listed below for your convenience.
Use the operator's manual for decal location, part number and ordering.

Unit Decals:

PART NO	QTY	DESCRIPTION
172-426	1	Set Of Decals
170-154	2	"KNIGHT"
170-155	2	Knight Head
170-490	1	Important - Reduce Engine Speed . . .
170-849	2	Beware Of Power Driven Parts
170-893	1	Slow Moving Vehicle Decal
171-598	2	"Slinger"
171-712	1	NOTICE - Retighten Set Screws . . .
171-993	1	NOTICE - Friction Clutch Adjustment
171-748	1	Door Position
171-820	2	DANGER - Rotating Auger Inside . . .
171-821	2	DANGER - Material Discharges . . .
172-432	2	"7725"
172-238	1	Caution - Be Sure To Operate . . .
171-913	1	WARNING - Do Not Operate . . .
171-915	1	Shield Missing . . . (Order a separate 171-915 If You Have The Upper Auger Option)
171-950	1	"U.S. Patent No. . . ."
171-992	2	Red Reflector
172-171	1	CAUTION - Read Operator's Manual

PTO Driveline Decals:

171-550	1	DANGER, PTO . . .
171-599	1	Do Not Exceed 540 RPM . . . (540 RPM PTO ONLY)
171-609	1	Do Not Exceed 1000 RPM . . . (1000 RPM PTO ONLY)
171-799	1	DANGER - Shield Missing

Paint:

170-366	Knight Yellow Aerosol Can
170-812	Knight Yellow Quart Can
170-813	Knight Yellow Gallon Can
170-367	Knight Red Aerosol Can
170-814	Knight Red Quart Can
170-815	Knight Red Gallon Can

OPTIONAL KITS

7725-TOW

Safety Chain For Towed Equipment P/N 172-041

This chain is designed to retain the connection between the towing and towed machines in the event of separation of the primary attaching system. It should be used whenever the unit is transported on the highway.

Light Kit For Towed Equipment

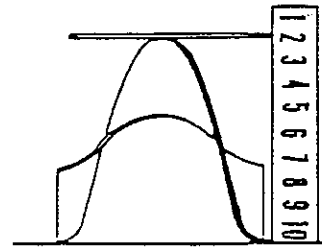
This light kit is designed for lighting and marking of agricultural field equipment whenever the equipment is on a highway. This kit is pre-assembled, and it includes mounting hardware.

PART NO	QTY	DESCRIPTION
300-007		1 Complete Light Kit - Assembled
172-173	2	Red And Amber Light Assembly
172-174	25'	4 Conductor Wire
172-175	1	4 Pin In-Line Connector (Male & Female)
Options:		
172-110	1	7 Pin Female Connector

FLIGHTING TERMS AND DIMENSIONS

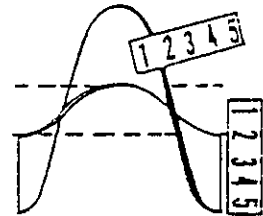
7725-TOW

OUTSIDE DIAMETER: Outside diameter can be determined by laying the flight on a flat surface and measuring from the top to the base.
NOTE: Dimensions may vary slightly.

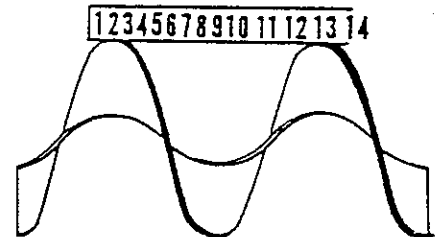


THICKNESS: Thickness of flighting can be determined with any linear measuring instrument.

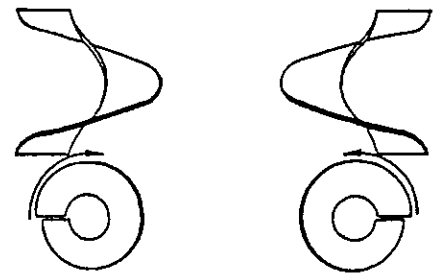
INSIDE DIAMETER: To find the inside diameter of flight, measure the distance from the inside of the flight to the peak. Then multiply the dimension by two and subtract the answer from the outside diameter dimension.



PITCH: Pitch is the dimension from one peak to the next, measured along the axis of the shaft. The term full pitch means that the outside diameter and the pitch are the same.



RIGHT HAND AND LEFT HAND FLIGHTING: As you look at the face of flighting and it is slanting downward to the right; it is right hand and if it is slanting downward to the left; it is left hand.



Flighting dimensions are written in a series similar to the following:

1/4" - 4" - 14" - 14"
Thick - I.D. - O.D. - Pitch

HARDWARE PART NUMBER LISTING

7725-TOW

All hex head bolts up to and including 7/16" dia are grade 5 unless otherwise specified. All fasteners are NC thread unless otherwise specified.

<u>Size</u>	<u>Hex Nuts</u>	<u>Locknuts</u>	<u>Jam Nuts</u>	<u>Flt Wsh.</u>	<u>Lk Wsh.</u>
#10	171-606			171-525	171-605
1/4	170-125	170-069		170-301	170-124
5/16	170-119	170-028		170-127	170-118
3/8	170-007	170-047	170-022	170-244	170-006
7/16	170-062	170-239	170-046	170-138	170-061
1/2	170-004	170-042	170-036	170-040	170-003
5/8	170-011	170-031	170-037	170-066	170-010
3/4	170-017	170-185	170-035	170-015	170-016
7/8				170-131	172-003
1				170-122	171-021

HEX HEAD BOLTS

<u>Bolt Size</u>	<u>Part No</u>	<u>Bolt Size</u>	<u>Part No</u>	<u>Bolt Size</u>	<u>Part No</u>
1/4 x 3/4	170-803	3/8 x 3	170-380	5/8 x 1-3/4	170-030
1/4 x 7/8	171-094	3/8 x 3-1/2	170-292	(Tap Bolt - Grade 5)	
1/4 x 1	170-310	3/8 x 4	170-877	5/8 x 2	170-009
1/4 x 1-1/2	170-068	3/8 x 4-1/2	170-519	(Grade 5)	
1/4 x 2-3/4	171-203	3/8 x 5	170-493	5/8 x 2	171-772
1/4 x 3	171-403	3/8 x 5-1/2	170-593	(Tap Bolt)	
5/16 x 5/8	170-532	3/8 x 6-1/2	171-291	5/8 x 2-1/2	172-381
5/16 x 3/4	170-262	7/16 x 3/4	170-265	5/8 x 3	170-258
5/16 x 7/8	170-256	7/16 x 1	170-032	5/8 x 3-1/2	170-038
5/16 x 1	170-027	7/16 x 1-1/4	170-354	5/8 x 4	170-371
5/16 x 1-1/4	170-188	7/16 x 1-1/2	170-059	5/8 x 4-1/2	170-067
5/16 x 1-1/2	170-372	7/16 x 2	170-356	5/8 x 5	170-065
5/16 x 1-3/4	170-263	7/16 x 2-1/2	170-379	5/8 x 6	170-381
5/16 x 2	170-376	7/16 x 3	170-270	5/8 x 9-1/2	171-039
5/16 x 2-1/2	170-369	7/16 x 5-1/2	170-377	3/4 x 2	170-058
5/16 x 3	170-295	7/16 x 6	170-378	3/4 x 2-1/4	171-275
5/16 x 3-1/4	171-639	1/2 x 3/4	171-252	3/4 x 2-1/2	170-374
5/16 x 4	170-293	1/2 x 1	170-149	3/4 x 3	170-014
(Tap Bolt)		1/2 x 1-1/4	170-373	3/4 x 3-1/2	170-195
5/16 x 4-1/2	170-294	1/2 x 1-1/2	170-002	3/4 x 4	170-419
3/8 x 3/4	170-439	1/2 x 2	170-050	3/4 x 4-1/2	170-846
3/8 x 7/8	170-268	1/2 x 2-1/2	170-319	(Grade 5)	
3/8 x 1	170-054	1/2 x 3	170-168	3/4 x 6	171-116
3/8 x 1-1/4	170-005	1/2 x 4	171-509	(Grade 5)	
3/8 x 1-1/2	170-368	1/2 x 4-1/2	171-573		
3/8 x 2	170-245	1/2 x 5	171-412		
3/8 x 2-1/4	170-320	5/8 x 1 (G.5)	171-087		
3/8 x 2-1/2	170-257	5/8 x 1-1/4	171-366		

HARDWARE LISTING CONTINUED

7725-TOW

TRUSS HEAD BOLTS

<u>Bolt Size</u>	<u>Part No</u>
#8 x 1-1/2	171-210
#10 x 3/4	171-604
1/4 x 1/2	170-123
1/4 x 3/4	170-193
1/4 x 1	170-194
5/16 x 1 (Grade 5)	170-117

CARRIAGE BOLTS

<u>Bolt Size</u>	<u>Part No</u>
1/4 x 1-1/2	170-355
1/4 x 2-1/2	171-394
1/4 x 3	170-509
5/16 x 1	170-370
5/16 x 2-1/2	171-395
5/16 x 5-1/2	170-494
3/8 x 3-1/2	171-283
3/8 x 4-1/2	170-191
3/8 x 5	170-495
3/8 x 6-1/2	171-174
3/8 x 8	170-297
1/2 x 6-1/2	171-098
1/2 x 9	171-255

ZERKS

<u>Size</u>	<u>Part No</u>
1/4-28	170-023
1/4-28 - 45	170-148
1/4-28 - 90	170-049
1/4 NPT	170-277
1/8 NPT	170-865
1/8 NPT-45	170-864
1/8 NPT-65	170-215
1/8 NPT-90	170-866

COTTER PINS

<u>Size</u>	<u>Part No</u>
1/16 x 1/2	170-992
3/32 x 3/4	170-364
1/8 x 3/4	170-177
1/8 x 1	170-045
1/8 x 1-1/4	170-033
1/8 x 1-1/2	170-382
5/32 x 1	170-421
5/32 x 1-1/2	170-236
5/32 x 3	170-135
3/16 x 1-1/4	170-991
3/16 x 2	170-115
1/4 x 1-1/2	170-521
1/4 x 2	170-056

SET SCREWS

<u>Size</u>	<u>Part No</u>
1/4 x 1/4 NC	170-247
5/16 x 5/16NC	170-248
5/16 x 1/2 NC	170-254
5/16 x 1/4 NF	170-993
5/16 x 5/16NF	170-825
5/16 x 5/8 NF	170-456
3/8 x 1/4 NC	170-856
3/8 x 3/8 NC	170-151
3/8 x 1/2 NC	170-857
(nylock)	
3/8 x 3/4 NC	170-289
(sq head)	
3/8 x 3/4 NC	170-290
(sq hd drilled)	
3/8 x 1 NC	170-021
3/8 x 1/2 NF	171-469
7/16 x 7/16NC	170-288
7/16 x 1 NC	170-147
(sq head)	
1/2 x 5/8 NC	170-249
1/2 x 1 NC	170-438
1/2 x 1-1/4NC	171-085
(half dog point)	
5/8 x 5/8 NC	170-250

ROLLER CHAIN
CONNECTOR LINKS

<u>Size</u>	<u>Part No</u>
#50-2R	170-094
#50	170-088
#60-2R	170-095
#60	170-089
#60H	171-102
#80	170-090
#80H	170-821
#100	170-091
#100H	171-969
#120	170-092
#140	170-093
#160	170-888

OFFSET LINKS

<u>Size</u>	<u>Part No</u>
#50	170-096
#60-2R	170-103
#60	170-097
#80	170-098
#80H	170-820
#100	170-099
#120	170-100
#140	170-101
#160	170-887

ROLLER LINKS

<u>Size</u>	<u>Part No</u>
#50	171-415
#60	171-416
#80	171-417
#80H	170-795
#120	171-419
#140	171-420

PART NUMBER INDEX

7725-TOW

<u>Part No.</u>	<u>Page</u>	<u>Part No.</u>	<u>Page</u>	<u>Part No.</u>	<u>Page</u>	<u>Part No.</u>	<u>Page</u>
101-548	7	133-596	5	170-849	16	171-980	14
101-549	7	133-604	7	170-893	16	171-983	14
101-586	7	133-617	13	171-030	5	171-992	16
101-596	13	133-618	13	171-045	5	171-993	16
101-601	13	133-630	13	171-309	5	172-005	3
101-602	3	134-155	3, 11	171-550	14, 16	172-006	5
101-606	3	134-279	5	171-585	5	172-028	14
101-608	13	134-459	5	171-586	7	172-029	14
101-609	13	134-460	7	171-592	3	172-030	14
101-613	9	134-461	5	171-598	16	172-033	14
101-618	5	134-618	11	171-599	16	172-036	14
101-634	13	134-619	13	171-607	5	172-037	14
101-636	11	134-622	13	171-609	16	172-038	14
101-643	9	134-665	7	171-610	9	172-040	14
101-644	9	134-666	7	171-611	9	172-110	17
101-645	9	134-668	3	171-612	9	172-171	16
101-646	9	134-669	7	171-613	9	172-173	17
101-761	5	134-670	5	171-614	9	172-174	17
101-817	3	134-691	3	171-615	9	172-175	17
101-832	3	170-000	3	171-618	11	172-194	5, 14
101-911	5	170-008	3, 7, 11	171-696	7	172-196	14
101-951	11	170-031	7	171-712	16	172-197	14
101-953	11	170-037	7	171-748	16	172-198	14
101-955	11	170-047	11	171-764	5	172-199	14
101-956	13	170-052	5	171-766	5	172-200	14
101-985	7	170-053	3, 11	171-767	5	172-201	14
101-986	7	170-056	9	171-769	3	172-202	14
101-988	7	170-066	7	171-782	5	172-203	14
101-997	13	170-073	7	171-799	14, 16	172-204	14
130-173	11	170-074	7	171-808	9	172-205	14
130-175	3	170-087	11	171-809	9	172-206	14
130-391	3	170-108	3	171-814	9	172-207	14
131-552	13	170-110	11	171-815	9	172-208	14
132-678	5	170-125	9	171-820	16	172-209	14
133-277	11	170-154	16	171-821	16	172-211	14
133-278	5	170-155	16	171-823	9	172-211	5
133-316	5	170-232	5	171-824	9	172-222	14
133-323	11	170-235	5	171-825	9	172-223	14
133-361	13	170-236	7	171-826	9	172-227	14
133-376	11	170-361	11	171-827	9	172-229	9
133-445	7	170-366	16	171-828	9	172-238	16
133-475	3	170-367	16	171-829	9	172-293	5, 7
133-476	3	170-445	5	171-830	9	172-353	5, 7
133-477	5	170-479	5	171-831	9	172-383	11
133-509	5	170-490	16	171-832	9	172-384	11
133-530	3	170-499	3, 5	171-833	9	172-404	14
133-531	3	170-509	9	171-913	16	172-421	7
133-532	3	170-800	3	171-915	16	172-422	7
133-540	3	170-812	16	171-950	16	172-426	16
133-545	13	170-813	16	171-974	14	172-432	16
133-546	3	170-814	16	171-975	14	172-758	11
133-552	11	170-815	16	171-976	14	172-835	7
133-556	13	170-835	3, 11	171-977	14	300-007	17
133-557	13	170-845	5	171-978	14		
133-565	9			171-979	14		