



KNIGHT

TRAILER PARTS MANUAL FOR PRO TWIN SLINGER MODEL 8014

TABLE OF CONTENTS

Abbreviations	2
Using This Listing	3
Front Drive Parts	4-7
Discharge & Bedder Spreader Parts	8-9
Running Gear Parts (Single Axle Option)	10-11
Running Gear Parts (Tandem Axle Option)	12-17
Rear Drive Parts	18
Jackstand Parts and Safety Chain	19
Auger & Splash Guard Parts	20-21
PTO Driveline	22-23
Light Kit	24
Decal & Paint List	25
Hardware Listing	26-27
Part Number Index	28

Catalog Part Number 005685

Unit Serial Number _____

Operator Instruction Manual for this unit: 005847

ABBREVIATIONS

Assy	Assembly
A/R	As Required
B	Bolt
Brg	Bearing
BSN	Before Serial Number
Btm	Bottom
C-Bolt	Carriage Bolt
Cttr	Cotter
CV	Constant Velocity
Deg	Degree
Dia	Diameter
ea	Each
eq or Equiv	Equivalent
Fin	Flanged Lock Nut
Fw	Flat Washer
Ga	Gauge
Gr or Grd	Grade
Hd	Head
Hfw	Heavy Flat Washer
Hyd	Hydraulic
ID	Inside Diameter
Ill or Illus	Illustration
Ind	Indicator
Jn	Jam Nut
Kw	Keyway
LH	Left Hand
Ln	Lock Nut
Lw	Lock Washer
Mtg Hrd	Mounting Hardware
NC	National Coarse
NF	National Fine
NLA	No longer available
NPT	National Pipe Thread
OD	Outside Diameter
Pc(s)	Piece(s)
PD	Pitch Diameter
PTO	Power Takeoff (shaft)
Qty	Quantity
RH	Right Hand
SN	Serial Number
SHCS	Socket Head Cap Screw
Spk, or Spkt or Sprkt	Sprocket
Sq	Square
SS	Stainless Steel
SSB	Stainless Steel Bolt
St	Straight
Std	Standard
STS	Self Tapping Screw
UASN	Used After Serial Number
UBSN	Used Before Serial Number
W	With
W/O	With Out

USING THIS SERVICE PARTS LISTING

This listing uses a number indentation system to specify the parts of an assembly. Any number which is indented to the right, indicates that it is a component of the item to the upper left. Example:

<u>Part no</u>	<u>Qty</u>	<u>Description</u>
102-AAA	#	Assembly A
102-BBB	#	Sub-Assembly B
(Component of A)		
140-xxx	#	Sub-Component of B
140-xxx	#	Sub-Component of B
102-CCC	#	Sub-Assembly C
(Component of A)		
etc.		

Using this system, the subassemblies and their components are included if an **Assembly** is ordered. Similarly, the components of a subassemblies are included if a subassembly is ordered.

The quantity (Qty) associated with an assembly, represents the number of times an assembly could be shown in the drawing. The subassembly quantity however, is the number of times a subassembly is used to build one assembly. Similarly, the component quantity refers to the number of times a given component is found in one subassembly.

MODEL AND SERIAL NUMBER INFORMATION is located near the front left hand corner (Fig. A). The model number, serial number and part number should be known when asking service personnel for parts.

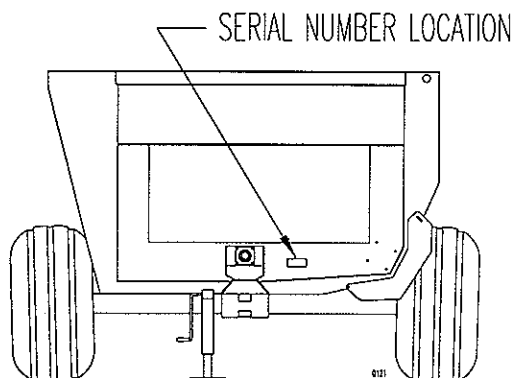


Figure A

The serial number may consist of a number, or a number with a letter prefix. When referring to serial number breaks in the text of this manual, a serial number with a prefix will have been manufactured after a serial number without a prefix (A001 made after 0123). Likewise, a higher prefix letter would indicate manufacture after a lower prefix letter (B001 made after A123). Therefore, if the text refers to units manufactured after serial number B123, this would include "B" series numbers greater than 123, and all numbers with a higher letter prefix.

If you cannot find the part you need, be as descriptive as possible when placing an order:

Sprockets: give the bore size, number of teeth, and size of keyway.

Roller chain: give the size of chain (stamped on the side of each link) and number of links.

Shafting: give the diameter, length, and quantity and size of keyways.

Hardware is generally not included with parts. If you need any hardware, check the size, the length, and the grade (Fig. B), then check the hardware list in this manual for the part numbers.

All hex head bolts are grade 5, and nuts are grade 5 unless otherwise stated.

The hardware listing also includes zerks, cotter pins, set screws, and roller chain links.

The illustrations in this manual are meant to be used only as a guide for identifying parts and locating their relative positions.

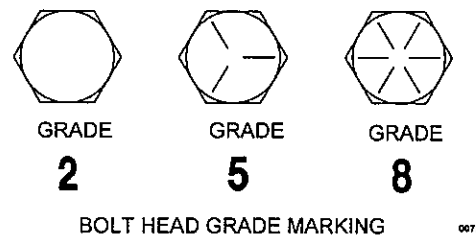
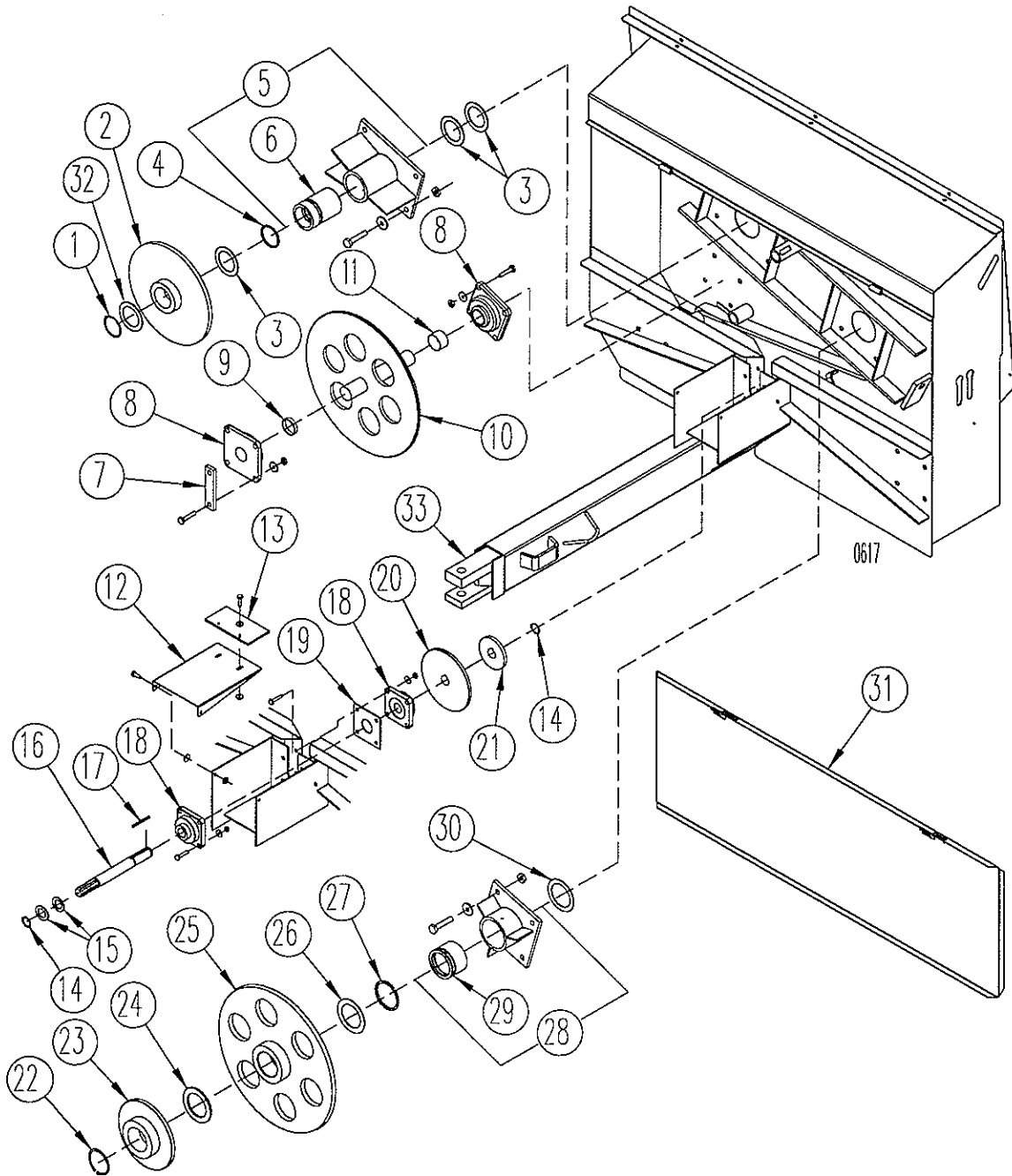


Figure B

8014TR 005685 R061003
FRONT DRIVE PARTS

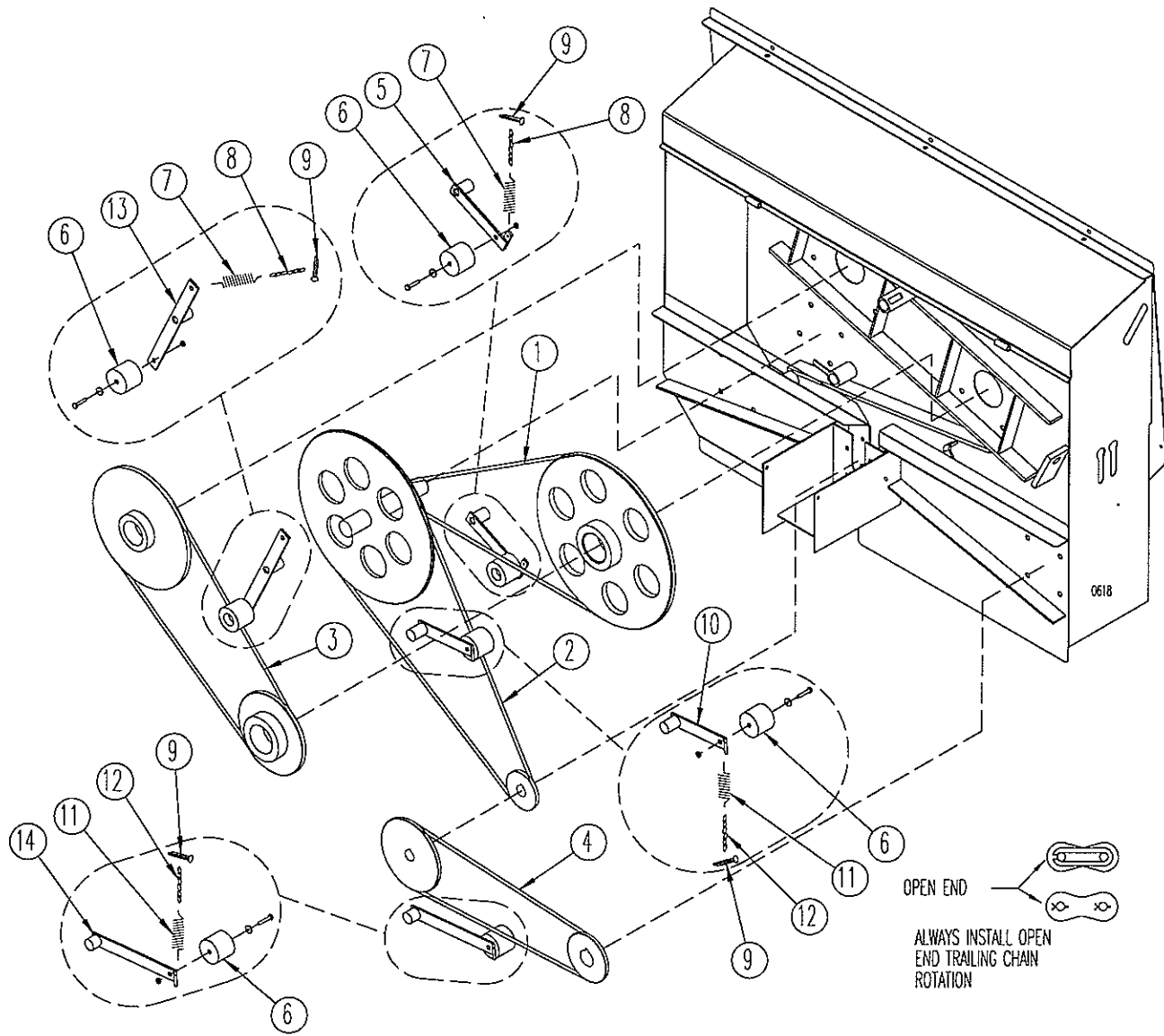


FRONT DRIVE PARTS

REF	PART NO	QTY	DESCRIPTION
1	171-934	1	Snap Ring; 3" External
2	135-789	1	Sprocket; 80-B-45, 3" Bore, Splined Hub
3	135-597	3	Thrust Washer; 3" ID
4	172-873	1	Quadring Seal
5	102-276	1	Bearing Assembly, 3"; Mtg Hrd: 5/8" x 1 1/4" Bolt, FW, Locking Jam Nut
6	135-779	1	Plastic Sleeve Bushing, 3" ID
7	135-749	1	Bearing Spacer
8	170-008	2	Bearing, Flange, 2" Dia; (170-865 Grease Zerk, 1/8"NPT) Mtg Hrd:rear 5/8"x1 3/4" Bolt,LW,Nut, front 5/8" x 2 1/4" Bolt,LW,Nut
9	135-725	1	Spacer, 2" Dia
10	135-790	1	Sprocket Assembly, 60-A-81 &100-A-11, 2" Bore
11	135-724	1	Spacer, 2" ID
12	135-831	1	Shield, PTO Cover;Mtg Hrd: 5/16" x 3/4" Bolt, Bellville Washer, & Flange Nut
13	133-539	1	Plastic Strip, PTO Cover; Mtg Hrd: 5/16" x 3/4" Bolt, FW, Flange Nut
14	170-499	2	Snap Ring, 1 3/8" External
15	175-317	A/R	Washer, 1 3/8" ID x 2 1/8" OD x .048 Thk
	175-318	A/R	Washer, 1 3/8" ID x 2 1/8" OD x .075 Thk
	171-146	A/R	Washer, 1 3/8" ID x 2 1/8" OD x .134 Thk
16	134-670	1	Input Shaft, 1-3/8" Dia x 13-1/2"
17	172-894	1	Key, 3/8" x 3/8" x 2 3/8"
18	171-585	2	Bearing, Flange, 1 3/8" Dia; Mtg Hrd: 1/2" x 1 3/4" Bolt, LW, & Nut (170-865 Grease Zerk, 1/8" NPT)
19	133-316	1	Bearing Spacer Plate
20	134-461	1	Sprocket; 60-B-36, 1-3/8" Bore, 3/8" Keyway
21	130-128	1	Sprocket; 60-B-18, 1-3/8" Bore, 3/8" Keyway
22	171-607	1	Snap Ring, 3-1/2" External
23	135-788	1	Sprocket, 80-B-30, 3 1/2" Bore, Splined Hub
24	140-426*	1	Spacer, 3 1/2" ID
25	136-002*	1	Sprocket, 100-B-52, 3 1/2" Bore, Splined Hub
	135-787*	1	Sprocket, 100-B-52, 3 1/2" Bore, Splined Hub
26	136-286	1	Spacer, 3 1/2" ID
27	172-874	1	Quadring Seal
28	102-277	1	Bearing Assembly, 3 1/2"; Mtg Hrd: 5/8" x 1 1/4" B, FW, Locking JN 172-866
29	135-783	1	Plastic Sleeve Bushing, 3 1/2" ID
30	135-598	1	Thrust Washer, 3 1/2" ID
31	102-281	1	Shield, Front Enclosure
32	172-367	A/R	Washer, 3" ID
33	101-659	1	Clevis (weld on)

*135-787 (Sprocket) used on units built before Serial Number (8014-2056) is no longer available. 136-002 (Sprocket) and 140-426 (Spacer) replace 135-787 (Sprocket). When replacing Item 25, Measure through bore of Sprocket. 135-787 measures 2-1/2" thick. 136-002 measures 2-1/4" thick and requires 1/4" spacer (140-426).

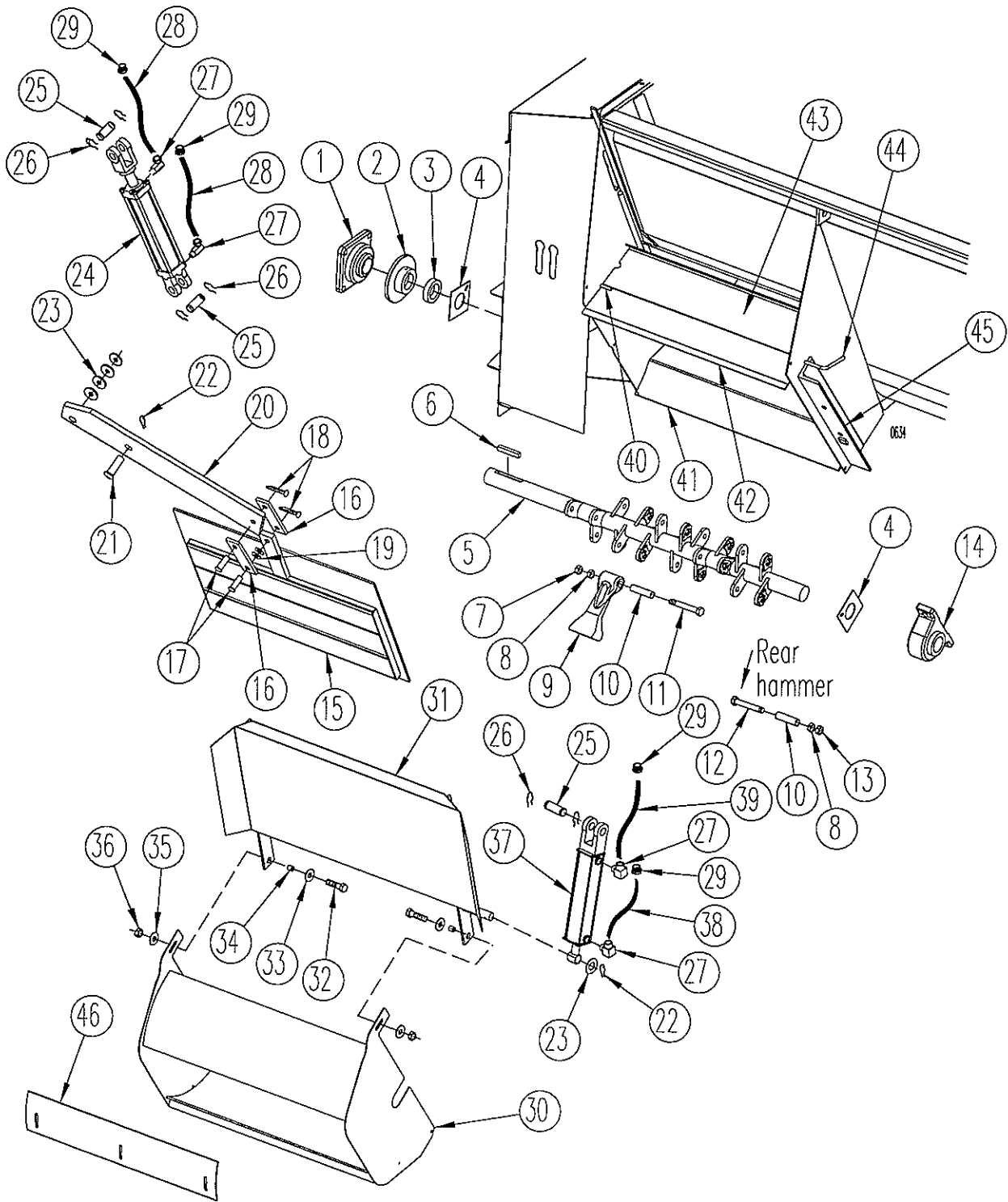
8014TR 005685 R061003
FRONT DRIVE PARTS



FRONT DRIVE PARTS

REF	PART NO	QTY	DESCRIPTION
1	172-997	1	Roller Chain; 100-1-77 Pitch, W/Connector Link & Offset Link
2	172-995	1	Roller Chain; 60-1-111 Pitch, W/Connector Link & Offset Link
3	171-801	1	Roller Chain; 80-1-84 Pitch, W/Connector Link
4	172-996	1	Roller Chain; 60H-1-102 Pitch, W/Connector Link
5	102-278	1	Chain Tightener Arm
6	134-155	4	Poly Tightener Block, 3" OD x 2 1/2" Mtg Hrd: 1/2" x 2 3/4" Bolt, Fw, Lw, Nut
7	172-005	2	Spring, Extension
8	171-045	2	Machine Chain; #4 x 22 Links
9	170-800	4	Clinch Pin
10	101-911	1	Chain Tightener Arm
11	172-006	2	Spring, Extension
12	170-845	2	Machine Chain; #4 x 17 Links
13	101-818	1	Chain Tightener Arm
14	101-761	1	Chain Tightener Arm

8014TR 005685 R061003
DISCHARGE PARTS

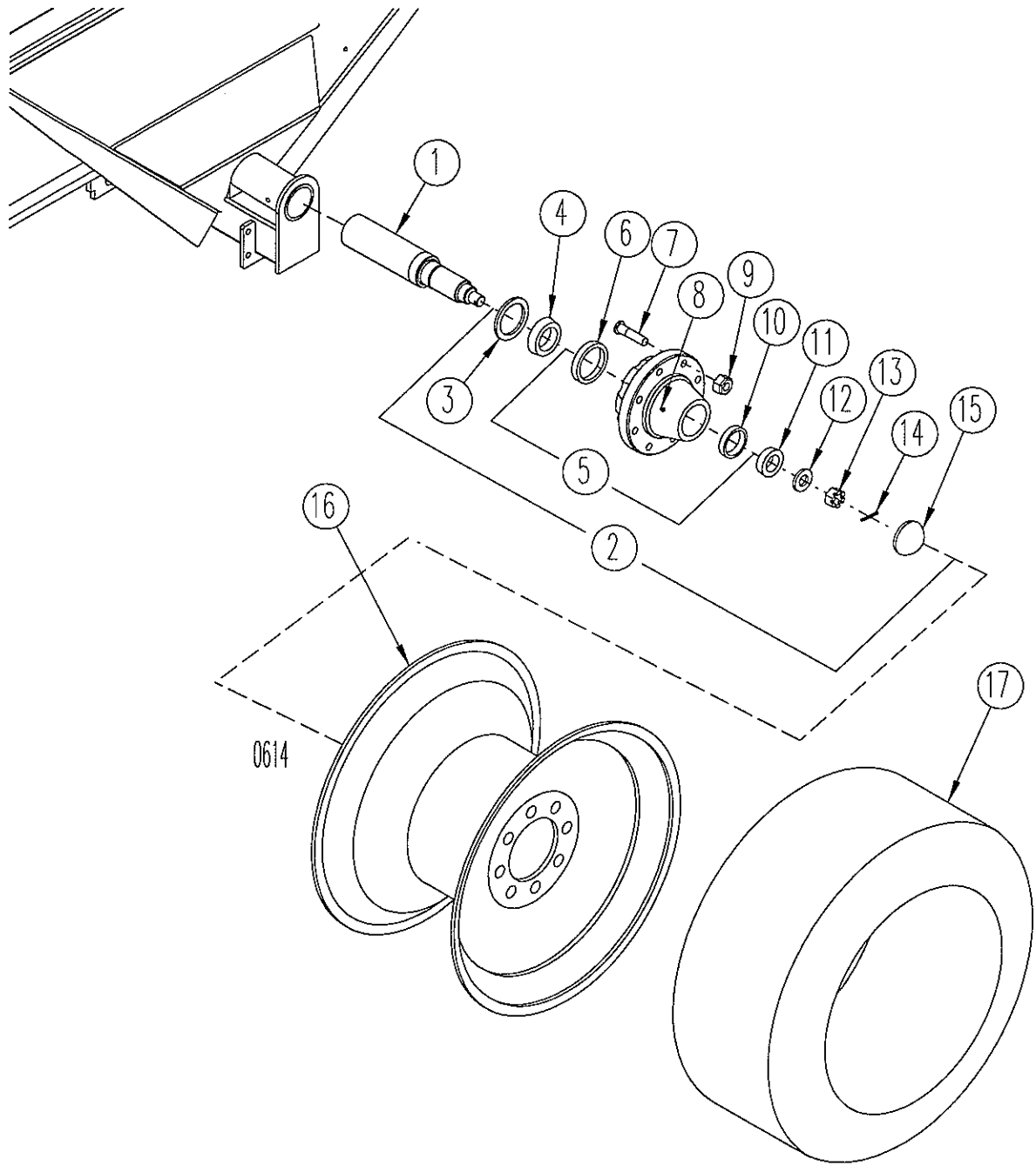


DISCHARGE PARTS

REF	PART NO	QTY	DESCRIPTION
1	170-008	1	Bearing, 2" Flanged; MTG Hrd: 5/8" x 1 3/4" Bolt, LW, & Nut
2	134-785	1	Sprocket, 60-B-24; (170-151 3/8" Setscrew)
3	172-772	1	Lock Collar
4	133-604	2	Plastic Seal; Mtg Hrd: 1/4" x 1" Bolt, FW,Hfw, Lock Nut
5	102-006	1	Hammer Shaft Assembly
6	170-835	1	Key, Straight, 1/2" x 1/2" x 1-1/2"
7	170-031	11	Lock Nut; 5/8" (Grade 5)
8	170-037	12	Jam Nut; 5/8" (Grade 5)
9	175-035	12	Hammer
10	172-422	12	Bushing, Straight Nylon
11	172-421	11	Bolt, 5/8" x 5-1/2" (Grade 5)
12	142-003	1	Bolt, 5/8" x 4-3/4" (Grade 5) (Rear Hammer Only)
13	172-866	1	Jam Lock Nut, 5/8" (Grade 5) (Rear Hammer Only)
14	171-586	1	Pillow Block Bearing 2"; Mtg Hrd; 5/8" x 2 1/2" (172-381) B, FW, JN & LN (2 ea.)
15	101-583	1	Discharge Door Assembly
16	133-445	2	Door Linkage Bar
17	171-696	2	Clevis Pin, 5/8" Dia
18	170-115	2	Cotter Pin, 3/16" Dia
19	170-006	A/R	Flat Washer, 5/8" Inside Dia
20	136-496	1	Door Pivot Bar
	134-174 ^A	1	Door Pivot Bar
21	170-073	1	Clevis Pin, 1" Dia
22	170-074	1	Hairpin Clip
23	170-122	A/R	Flat Washer, 1" Inside Dia
24	173-271	1	Hydraulic Cylinder
	170-232	1	Hydraulic Cylinder
25	173-274	3	Clevis Pin, 1" Dia
26	173-275	6	Hairpin Clip
27	170-030	4	Adapter, 38" x 90 Degree
28	171-309	2	Hydraulic Hose; 1/4" x 132 OAL
29	170-235	4	Adapter, 1/2" x 3/8"
30	101-633	1	Discharge Shroud; Mtg Hrd: 1/2" x 1 1/4" Bolt & Lock Nut (2ea)
31	103-621	1	Deflector Assembly
32	170-002	2	Bolt, 1/2" x 1 3/4"
33	171-774	2	Washer, 1/2"
34	142-082	2	Bushing
35	175-299	2	Heavy Washer, 1/2"
36	170-042	2	Lock Nut, 1/2"
37	103-623	1	Hydraulic Cylinder
38	173-493	1	Hydraulic Hose, 1/4" x 198" OAL
39	171-068	1	Hydraulic Hose, 1/4" x 192" OAL
40	133-637	1	Cover Hinge, .38 Dia x 2" (Weld on)
41	133-603	1	Bottom Mount, 5/16" x 14 1/16" x 30" (Weld on)
42	133-633	1	Top Door Frame, 10Ga x 5 1/4" x 30" (Weld on)
43	135-798	1	Cleanout Cover, 7Ga x 7 1/2" x 29 3/4" (Weld on)
44	134-902	1	Cleanout Handle (Weld on)
45	133-288	1	Angle, RH Bearing Mount (Weld on)
46	134-586	1	Discharge Shroud Visor; Mtg Hrd: 5/16" x 1" Bolt, Fw, Lw, & Nut (3ea)

A: Units built before Serial Number (8014-951) use part number 134-174 pivot bar and 170-232 cylinder.

RUNNING GEAR PARTS (Single Axle Option)



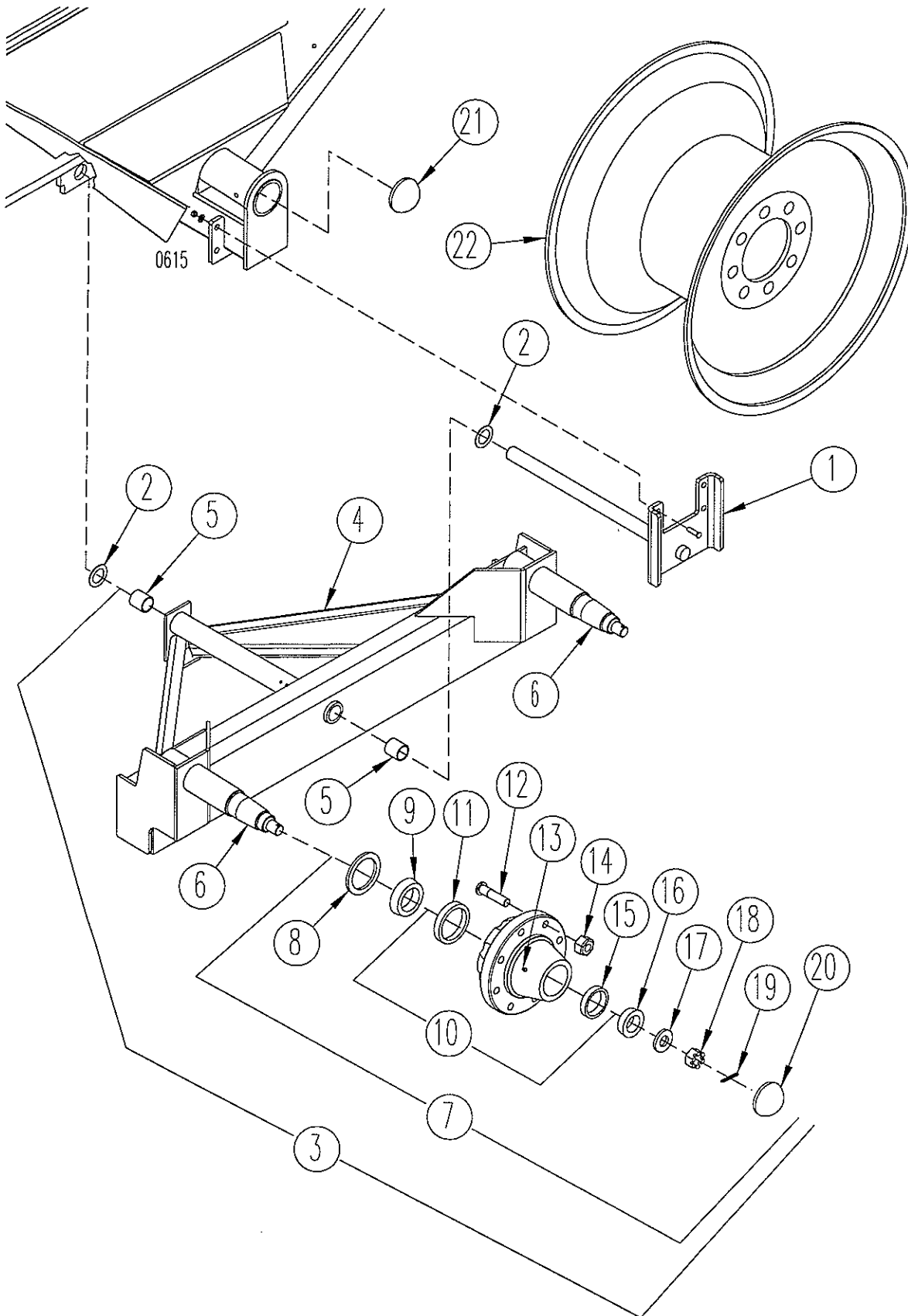
RUNNING GEAR PARTS (Single Axle Option)

REF	P/N	QTY	DESCRIPTION
1	172-270	2	Spindle; Mtg Hrd: 3/8" x 4" Bolt & LN (2ea)
2	171-815	2	8-Bolt Hub Assembly
3	171-831	1	Grease Seal
4	171-828	1	Inside Bearing Cone
5	171-823	1	8-Bolt Hub
6	171-824	1	Inside Bearing Race
7	171-826	8	Wheel Stud; 5/8"
8	170-865	1	Grease Zerk; 1/8" NPT
9	171-827	8	Wheel Nut; 5/8"
10	171-825	1	Outside Bearing Race
11	171-829	1	Outside Bearing Cone
12	171-832	1	Spindle Washer
13	171-833	1	Castle Nut; 1" NF
14	170-056	1	Cotter Pin; 1/4" x 2"
15	171-830	1	Dust Cap
16	171-809	2	Wheel, 16.1 x W16C
	172-285	2	Wheel, 22.50 x 8.25
	172-229	2	Wheel, 22.50 x 11.25
17	171-653	2	Tire, 65R x 22.5 Truck Rib Hwy Tread
	171-810	2	Tire, 19L x 16.31 Implement
	173-373	2	Tire, 80R x 22.5
18	174-577	2	Tube, 15R/16.5R/18R x 22.5 (not shown)
	173-372	2	Tube, 275/80R x 22.5

8014TR 005685 R061003

RUNNING GEAR PARTS (Tandem Axle Option)

Used on units Serial Number (8014-1373) and After



RUNNING GEAR PARTS (Tandem Axle Option)

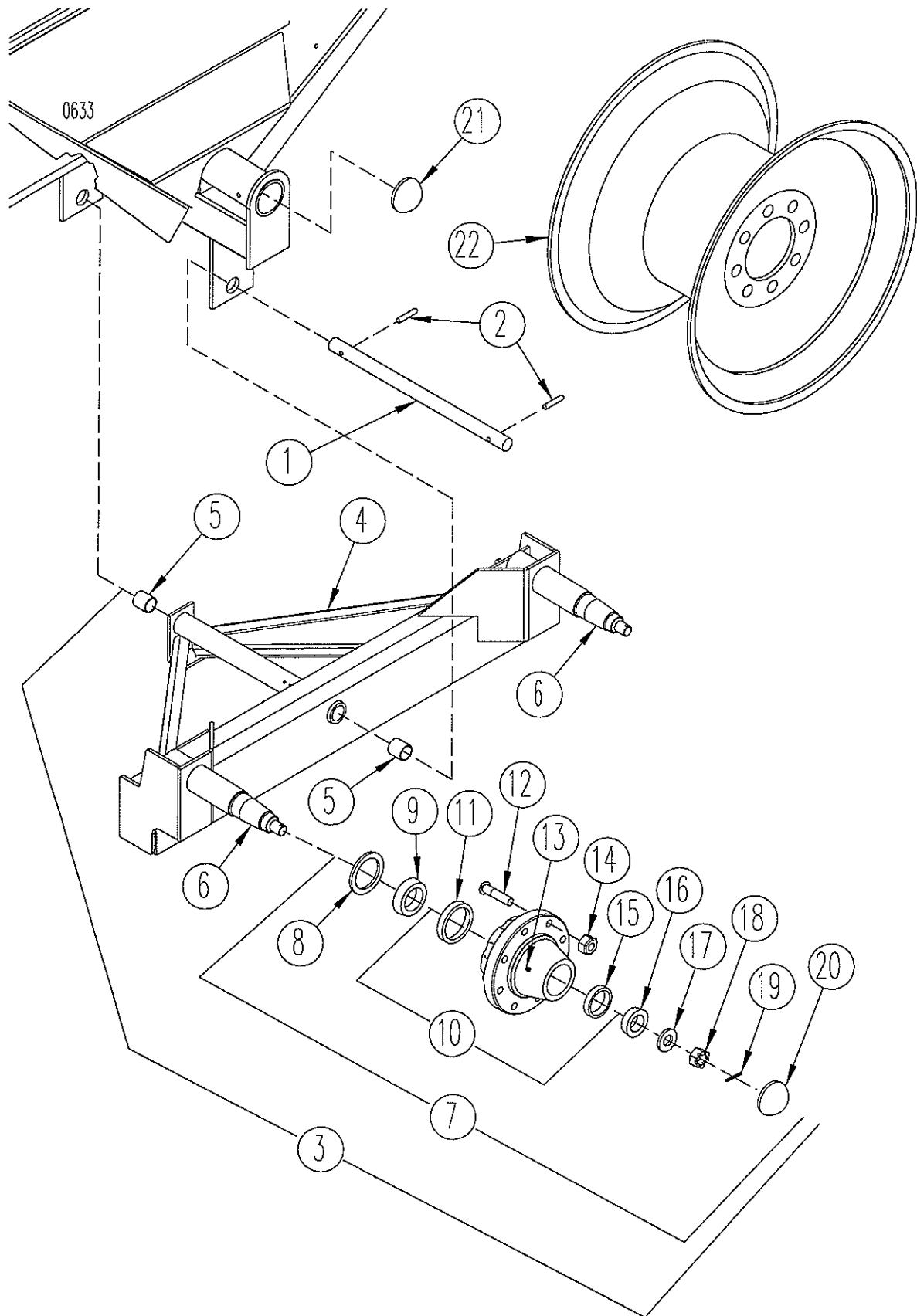
Used on units Serial Number (8014-1373) and After

REF	PART NO	QTY	DESCRIPTION
1	102-486	2	Bogie Pivot Rod; Mtg Hrd: 1/2" x 1 1/2" Bolt, LW, Nut (4ea)
2	175-318	4	Washer; 1 3/8" ID x 2 1/8" OD
3	102-565	1	LH Bogie Assembly with Hubs
4	102-563	1	LH Bogie Weldment
5	170-171	2	Bronze Bushing
6	136-989	2	Spindle
7	174-587	2	8-Bolt Hub Assembly
8	174-585	1	Grease Seal
9	174-584	1	Inner Bearing Cone
10	174-582	1	Hub Housing
11	174-583	1	Inner Bearing Cup
12	174-586	8	Wheel Stud
13	170-865	1	Grease Zerk
14	171-827	8	Wheel Nut
15	171-825	1	Outer Bearing Cup
16	171-829	1	Outer Bearing Cone
17	171-832	1	Flat Washer
18	171-833	1	Castle Nut; 1" NF
19	170-056	1	Cotter Pin; 5/32" x 1 1/2"
20	171-830	1	Hub Cap
3	102-564	1	RH Bogie Assembly with Hubs
4	102-562	1	RH Bogie Weldment
5	170-171	2	Bronze Bushing
6	136-989	2	Spindle
7	174-587	2	8-Bolt Hub Assembly
8	174-585	1	Grease Seal
9	174-584	1	Inner Bearing Cone
10	174-582	1	Hub Housing
11	174-583	1	Inner Bearing Cup
12	174-586	8	Wheel Stud
13	170-865	1	Grease Zerk
14	171-827	8	Wheel Nut
15	171-825	1	Outer Bearing Cup
16	171-829	1	Outer Bearing Cone
17	171-832	1	Flat Washer
18	171-833	1	Castle Nut; 1" NF
19	170-056	1	Cotter Pin; 5/32" x 1 1/2"
20	171-830	1	Hub Cap
21	171-850	2	Axle Plug; 3" Dia
22	172-285	4	Wheel, 22.5 x 8.25
	174-580	4	Wheel, 16.1 x W11C
23	173-373	4	Tire, 80R x 22.5 (not shown)
	173-118	4	Tire, 14L x 16.1 Implement (not shown)
24	173-372	4	Tube, 275/80R x 22.5 (not shown)
	175-264	4	Tube, 14L x 16.1 (not shown)

8014TR 005685 R061003

RUNNING GEAR PARTS (Tandem Axle Option)

Used on units with Serial Numbers between (8014-1321) and (8014-1372)



RUNNING GEAR PARTS (Tandem Axle Option)

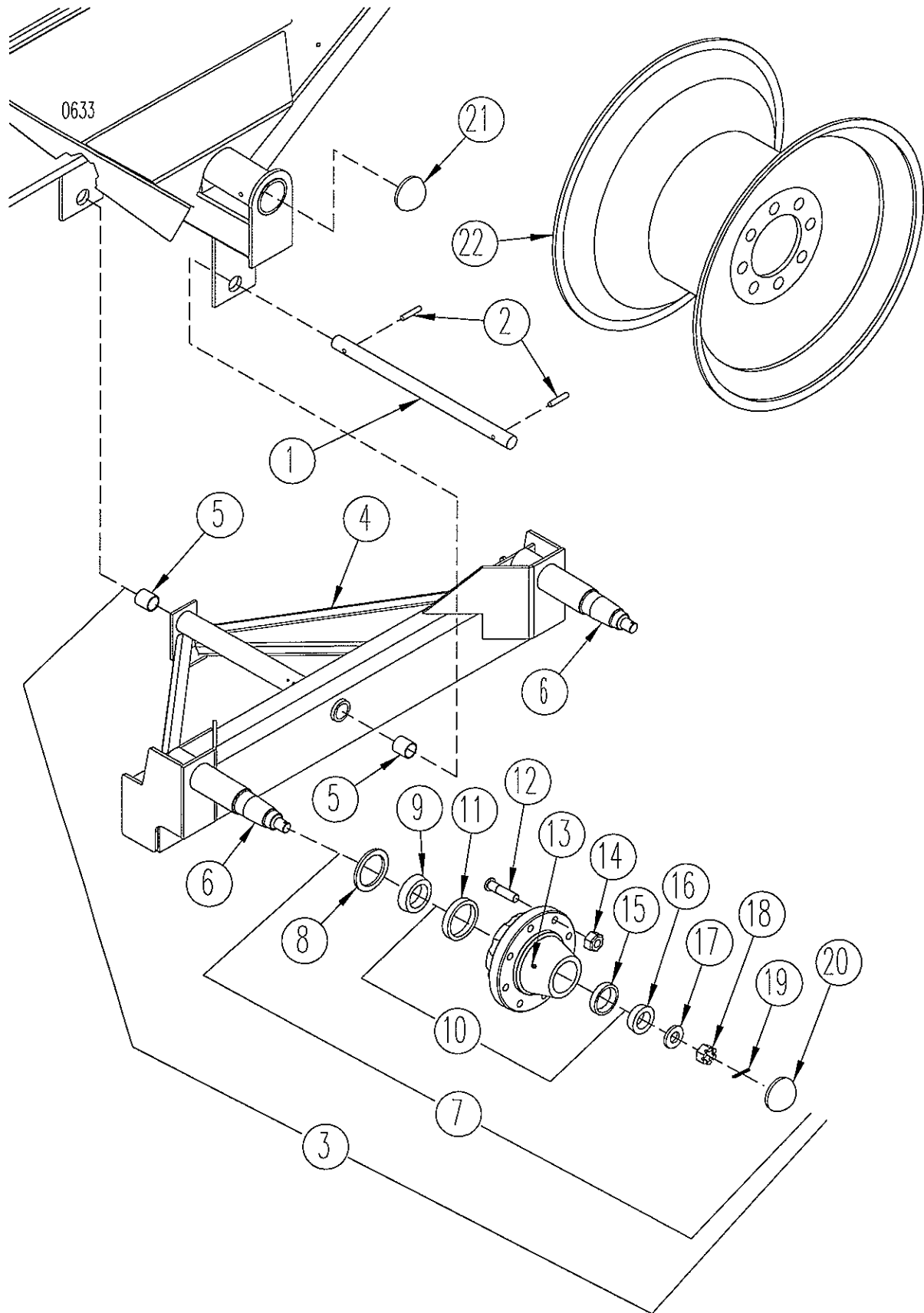
Used on units with Serial Numbers between (8014-1321) and (8014-1372)

REF	PART NO	QTY	DESCRIPTION
1	132-967	2	Bogie Pivot Rod
2	171-414	4	Roll Pin, 5/16" Dia x 2-1/2"
3	102-565	1	LH Bogie Assembly with Hubs
4	102-563	1	LH Bogie Weldment
5	170-171	2	Bronze Bushing
6	136-989	2	Spindle
7	174-587	2	8-Bolt Hub Assembly
8	174-585	1	Grease Seal
9	174-584	1	Inner Bearing Cone
10	174-582	1	Hub Housing
11	174-583	1	Inner Bearing Cup
12	174-586	8	Wheel Stud
13	170-865	1	Grease Zerk
14	171-827	8	Wheel Nut
15	171-825	1	Outer Bearing Cup
16	171-829	1	Outer Bearing Cone
17	171-832	1	Flat Washer
18	171-833	1	Castle Nut; 1" NF
19	170-056	1	Cotter Pin; 5/32" x 1 1/2"
20	171-830	1	Hub Cap
3	102-564	1	RH Bogie Assembly with Hubs
4	102-562	1	RH Bogie Weldment
5	170-171	2	Bronze Bushing
6	136-989	2	Spindle
7	174-587	2	8-Bolt Hub Assembly
8	174-585	1	Grease Seal
9	174-584	1	Inner Bearing Cone
10	174-582	1	Hub Housing
11	174-583	1	Inner Bearing Cup
12	174-586	8	Wheel Stud
13	170-865	1	Grease Zerk
14	171-827	8	Wheel Nut
15	171-825	1	Outer Bearing Cup
16	171-829	1	Outer Bearing Cone
17	171-832	1	Flat Washer
18	171-833	1	Castle Nut; 1" NF
19	170-056	1	Cotter Pin; 5/32" x 1 1/2"
20	171-830	1	Hub Cap
21	171-850	2	Axle Plug; 3" Dia
22	172-285	4	Wheel, 22.50 x 8.25
	174-580	4	Wheel, 16.1 x W11C
23	173-373	4	Tire, 80R x 22.5 (not shown)
	173-118	4	Tire, 14L x 16.1 Implement (not shown)
24	173-372	4	Tube, 275/80R x 22.5 (not shown)
	175-264	4	Tube, 14L x 16.1 (not shown)

8014TR 005685 R061003

RUNNING GEAR PARTS (Tandem Axle Option)

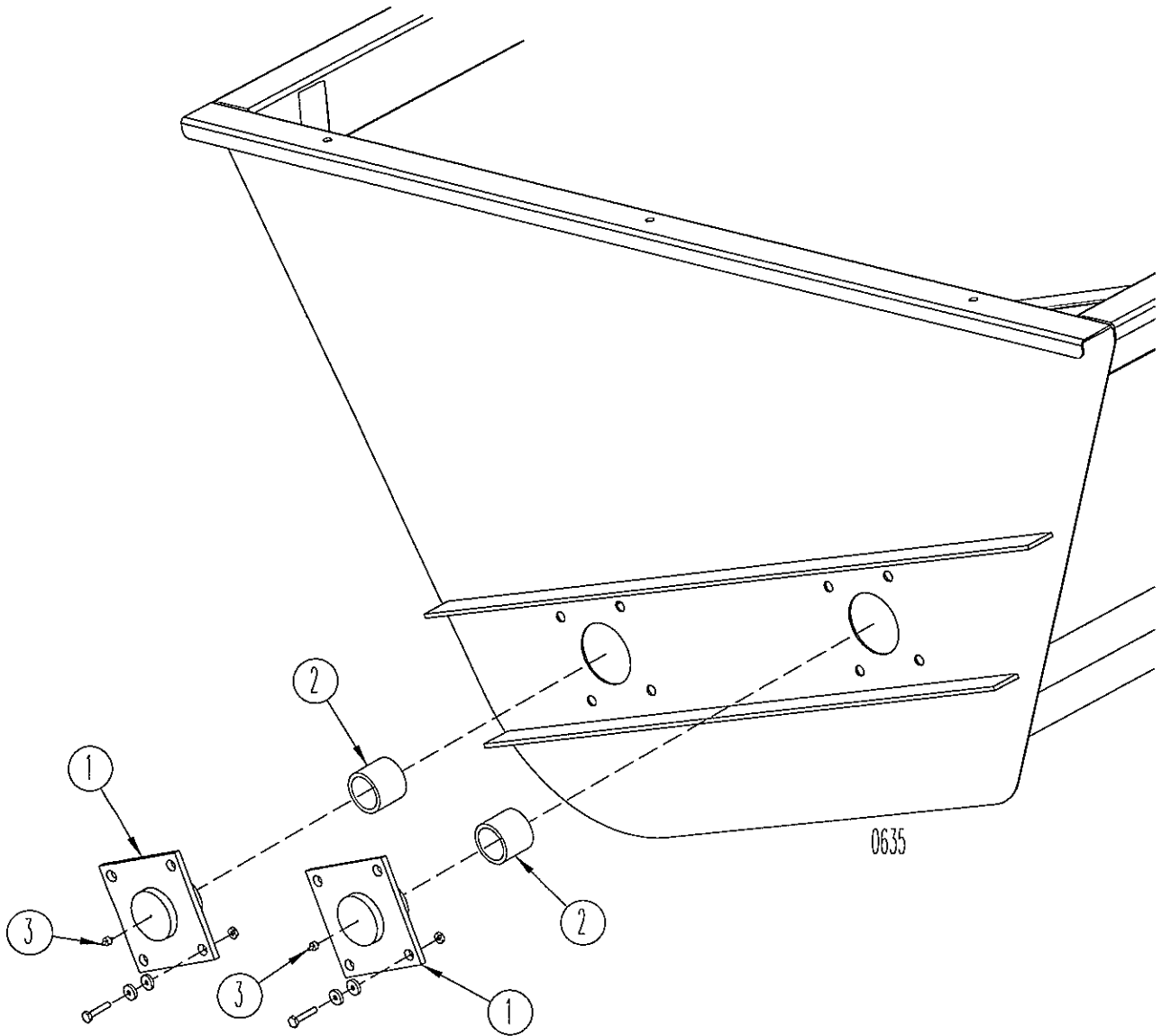
Used on units Serial Number (8014-1321) and Before



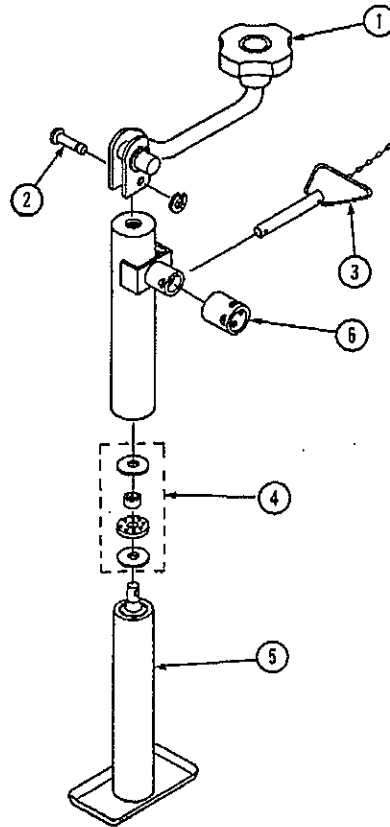
RUNNING GEAR PARTS (Tandem Axle Option)Used on units Serial Number (8014-1321) and **Before**

REF	PART NO	QTY	DESCRIPTION
1	132-967	2	Bogie Pivot Rod
2	171-414	4	Roll Pin, 5/16" x 2-1/2"
3	102-283	1	LH Bogie Assembly with Hubs
4	102-233	1	LH Bogie Weldment
5	170-171	2	Bronze Bushing
6	134-464	2	Spindle
7	170-755	2	8-Bolt Hub Assembly
8	170-556	1	Grease Seal
9	170-554	1	Inner Bearing Cone
10	170-705	1	Hub Housing
11	170-553	1	Inner Bearing Cup
12	171-826	8	Wheel Stud
13	170-865	1	Grease Zerk
14	171-827	8	Wheel Nut
15	170-546	1	Outer Bearing Cup
16	170-545	1	Outer Bearing Cone
17	170-131	1	Flat Washer
18	170-132	1	Castle Nut; 7/8" NF
19	170-236	1	Cotter Pin; 5/32" x 1 1/2"
20	170-550	1	Hub Cap
3	102-282	1	RH Bogie Assembly with Hubs
4	102-232	1	RH Bogie Weldment
5	170-171	2	Bronze Bushing
6	134-464	2	Spindle
7	170-755	2	8-Bolt Hub Assembly
8	170-556	1	Grease Seal
9	170-554	1	Inner Bearing Cone
10	170-705	1	Hub Housing
11	170-553	1	Inner Bearing Cup
12	171-826	8	Wheel Stud
13	170-865	1	Grease Zerk
14	171-827	8	Wheel Nut
15	170-546	1	Outer Bearing Cup
16	170-545	1	Outer Bearing Cone
17	170-131	1	Flat Washer
18	170-132	1	Castle Nut; 7/8" NF
19	170-236	1	Cotter Pin; 5/32" x 1 1/2"
20	170-550	1	Hub Cap
21	171-850	2	Axle Plug; 3" Dia
22	172-284	4	Wheel, 22.50 x 8.25
	173-119	4	Wheel, 16.1 x W11C
	170-112	4	Wheel, 20.00 x 8.00
23	173-373	4	Tire, 80R x 22.5 (not shown)
	173-118	4	Tire, 14L x 16.1 Implement (not shown)
24	173-372	4	Tube, 275/80R x 22.5 (not shown)

REAR END PARTS



REF	PART NO	QTY	DESCRIPTION
1	102-275	2	Bearing Assembly; Mtg Hrd: 5/8" x 1 1/4" Bolt & Locking Jam Nut (4ea), FW (8ea)
2	135-614	1	Plastic Sleeve
3	170-865	1	Grease Zerk; 1/8" NPT

JACKSTAND PARTS

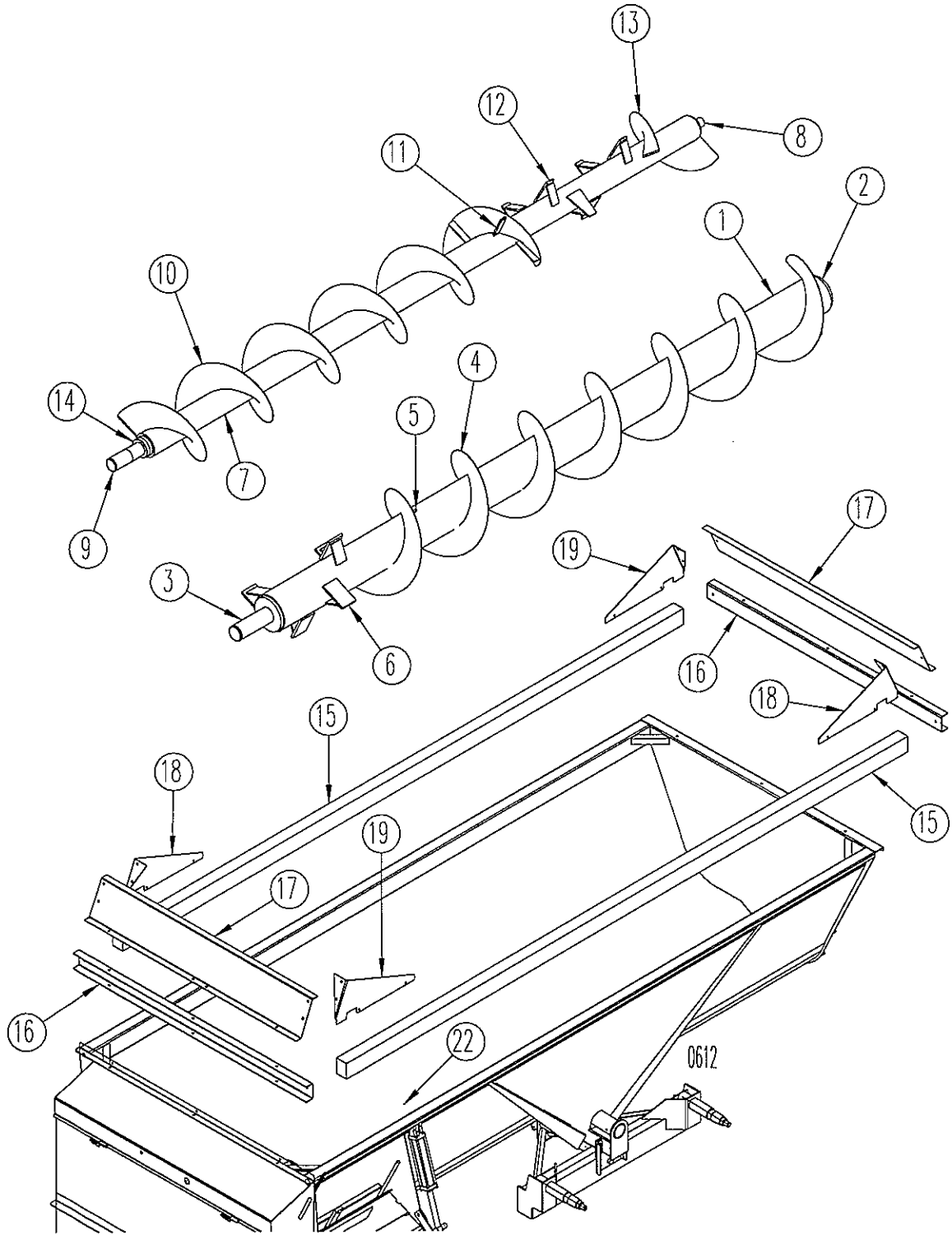
1709841

REF	PART NO	QTY	DESCRIPTION
	170-984	1	Jackstand Assembly
1	170-386	1	Crank Assembly
2	171-860	1	Crank Pin (Includes "C" Washer)
3	170-987	1	Pin and Chain Assembly
4	170-397	1	Thrust Bearing Kit
5	NLA		
6	170-985	1	Mount Tube

172-195 Safety Chain for Towed Equipment

This chain is designed to retain the connection between the towing and towed machines in the event of separation of the primary attaching system. It should be used whenever the unit is transported on the highway.

AUGER & SPLASH GUARD PARTS



AUGER & SPLASH GUARD PARTS

REF	PART NO	QTY	DESCRIPTION
1	102-273	1	Left Auger Assembly
2	102-269	1	Rear Plug Assembly (2" Dia)
3	102-271	1	Front Plug Assembly (3 1/2" Dia)
4	135-797	2	Flighting; 3/8" x 8.65" ID x 20" OD x 20" Pitch x 70" LH helicoid
5	135-555	6	Flighting Brace, 1/2" x 2" x 7"
6	102-216	5	Paddle Assembly
7	102-522	1	Right Auger Assembly
	102-272*	1	Right Auger Assembly
8	102-523	1	Rear Plug Assembly (2" Dia)
	102-280*	1	Rear Plug Assembly (2" Dia)
9	102-524	1	Front Plug Assembly (3" Dia)
	102-270*	1	Front Plug Assembly (3" Dia)
10	136-977	2	Flighting; 3/8" x 5.58" ID x 18" OD x 20" Pitch x 60" RH helicoid
	135-726*	2	Flighting; 3/8" x 5.52" ID x 18" OD x 20" Pitch x 60" RH helicoid
11	135-774	8	Flighting Brace, 3/8" x 1 1/2" x 6"
12	102-274	6	Paddle Assembly
13	136-978	1	Flighting; 3/8" x 5.58" ID x 18" OD x 20" Pitch x 16.5" LH helicoid
	135-727*	1	Flighting; 3/8" x 5.52" ID x 18" OD x 20" Pitch x 54" LH helicoid; Actual Requirement: 1/3 Piece
14	136-040	1	Thrust Ring
15	171-819	2	Wood Side Rail: 4" x 3" x 168" Mtg Hrd: 3/8" x 4-1/2" Carriage Bolt, Nut (5ea)
16	135-734	2	End Panel Extension; Mtg Hrd: 5/16" x 1 Bolt, FW, LW, Nut (3ea) & 3/8" x 2 1/2" Lag bolt, FW (2ea)
17	135-733	1	Splash Guard End (Front and Rear); Mtg Hrd: 5/16" x 1 Bolt, FW, LW, Nut (7ea)
18	133-556	1	Splash Guard; (RH FT & LH RR) Mtg Hrd: 3/8" x 3 1/2" C-Bolt, Nut (2ea)
19	133-557	1	Splash Guard; (LH FT & RH RR) Mtg Hrd : 3/8" x 3 1/2" C-Bolt, Nut (2ea)
20	141-124	A/R	42" Right Hopper Replacement (not shown)
21	141-125	A/R	42" Left Hopper Replacement (not shown)
22	102-488	1	Shear shelf

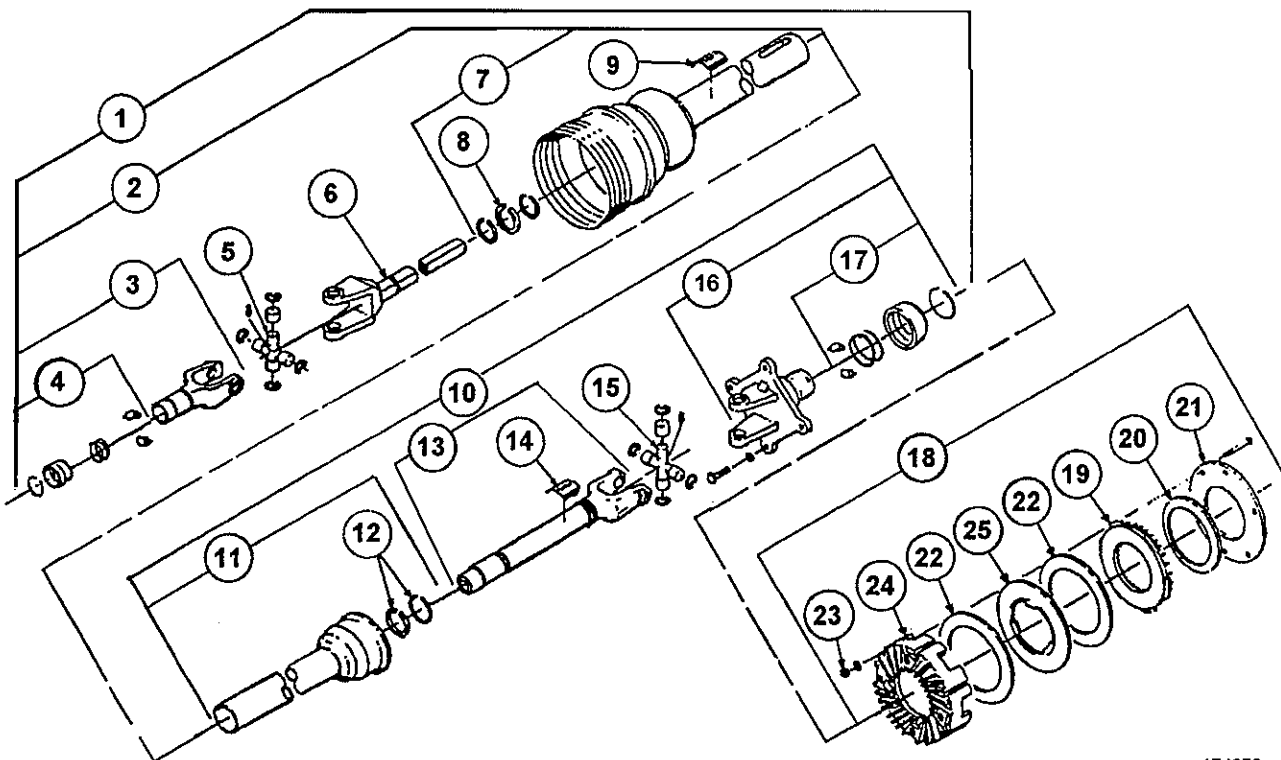
* Use for Serial Numbers (8014-1272) and **Before**

PTO DRIVELINE & Friction Clutch

(540 RPM - 6SPLINE , 1-3/8" YOKE)

Used on units Serial Number (8014-1456) and After

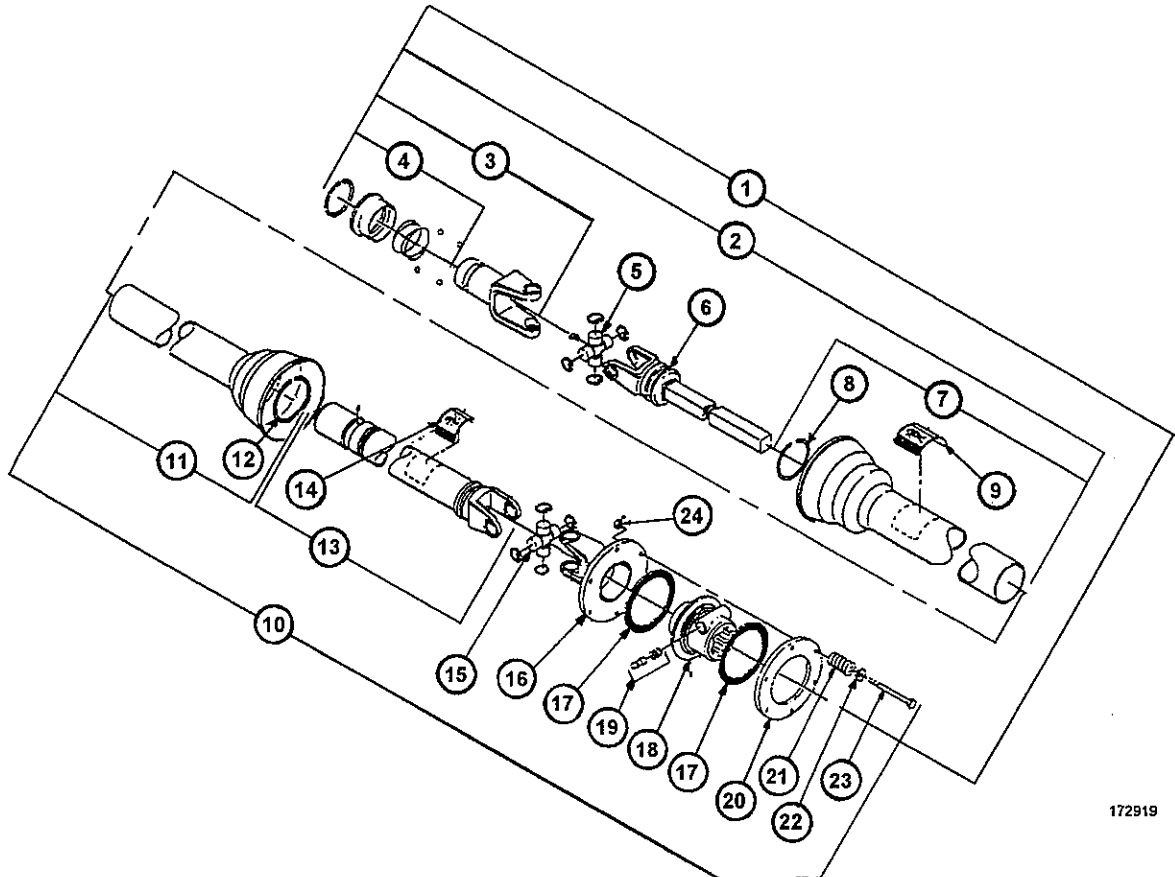
REF	PART NUMBER	QTY	DESCRIPTION
1	174-656	1	Driveline Complete (less Clutch assembly)
2	171-751	1	Joint and Shaft Half with Guard
3	172-018	1	Yoke Assembly
4	172-019	1	Safety Slide Lock Repair Kit
5	170-720	1	Cross and Bearing Kit
6	171-753	1	Yoke and Shaft
7	171-756	1	Outer Guard
8	170-220	1	Nylon Repair Kit
9	171-550	1	Safety Decal
10	174-664	1	Joint and Tube Half with Guard
11	171-755	1	Inner Guard
12	170-220	1	Nylon Repair Kit
13	171-754	1	Yoke Tube and Slip Sleeve
14	171-799	1	Safety Decal
15	170-720	1	Cross and Bearing Kit
16	174-665	1	Free Motion Clutch Hub
17	171-544	1	Safety Slide Lock Repair Kit
18	173-198	1	Friction Clutch Assembly
19	173-204	1	Pressure Plate
20	173-207	1	Spring - (color: green)
21	173-205	1	Compression Plate
22	172-860	2	Friction Disk
23	170-369	6	Assembly Hardware: 5/16" x 2-1/2" Bolt & Nut (6ea)
24	173-202	1	Clutch Housing; Mtg Hrd: 5/16" x 1" Bolt & Lock Washer
25	173-206	1	Separator Plate



174656

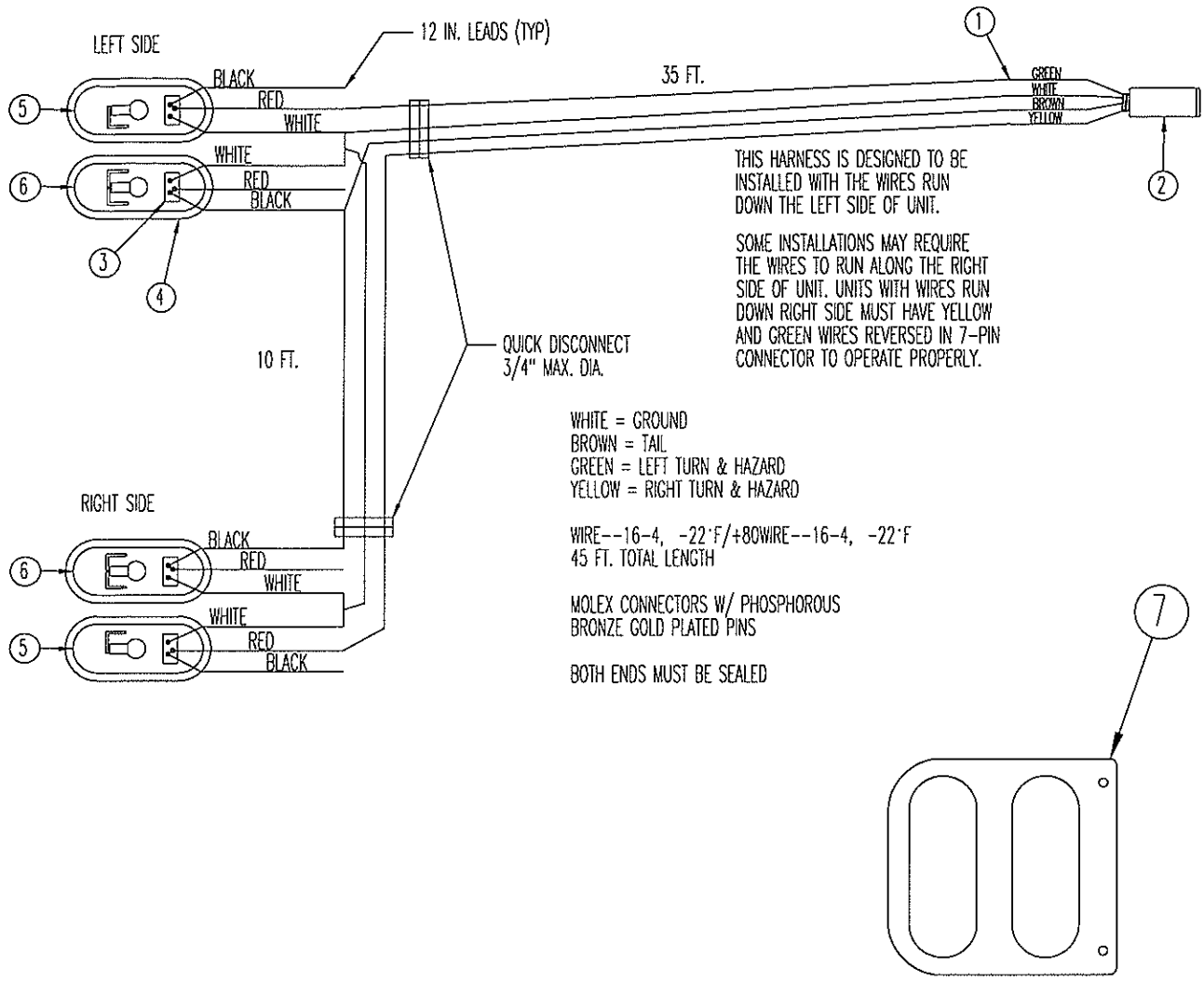
PTO DRIVELINE & Friction Clutch**(540 RPM - 6 SPLINE, 1-3/8" YOKE)**Used on units Serial Number (8014-1455) and **Before**

REF	PART NUMBER	QTY	DESCRIPTION
1	172-919	1	Driveline Complete
2	171-751	1	Joint and Shaft Half with Guard
3	172-018	1	Yoke Assembly
4	172-019	1	Safety Slide Lock Repair Kit
5	170-720	1	Cross and Bearing Kit
6	171-753	1	Yoke and Shaft
7	171-756	1	Outer Guard
8	170-220	1	Nylon Repair Kit
9	171-550	1	Safety Decal
10	173-030	1	Joint and Tube Half with Guard
11	171-755	1	Inner Guard
12	170-220	1	Nylon Repair Kit
13	171-754	1	Yoke Tube and Slip Sleeve
14	171-799	1	Safety Decal
15	170-720	1	Cross and Bearing Kit
16	171-757	1	Yoke, Friction Clutch
17	171-760	2	Friction Disk
18	173-029	1	Hub, Friction Disk
19	173-157	1	Quick Disconnect Repair Kit
20	171-759	1	Pressure Plate
21	171-761	6	Spring
22	171-762	6	Centering Washer
23	171-813	6	Bolt, 3/8" x 4-1/4" Grade 5 Black Oxide
24	170-047	6	Lock Nut, 3/8"



172919

LIGHT KIT (For AG use only)



REF	PART NO	QTY	DESCRIPTION
	174-675	1	Light Kit
1	174-775	1	Wire Harness
2	172-110	1	7 Pin Connector (SAE J560B)
3	174-724	4	Light Connector (pigtail only)
4	174-725	4	Grommet
5	174-673	2	Light, Amber
6	174-674	2	Light, Red
7	141-496	2	Light Bracket

DECAL & PAINT LIST

Use the operator's manual for safety decal location.

Unit Decals:

PART NO	QTY	DESCRIPTION
172-877	1	Complete Set of Decals
170-490	1	Engage PTO Slowly
170-849	2	Warning...Beware Of Power Driven Parts
170-893	1	Slow Moving Vehicle Sign
171-550	1	Danger...Rotating Driveline
171-712	1	Retighten Set Screws
171-799	1	Danger...Shield Missing
171-820	4	Danger... Rotating Auger
171-821	2	Danger...Material Discharges
171-913	1	Warning...Do Not Operate
171-915	1	Danger...Shield Missing
172-171	1	Caution...Read Operator's Manual
172-759	1	U.S. Patent Decal
172-820	1	Caution...Lifting Instructions
173-040	1	Caution...PTO Operation
174-514	2	Kuhn Knight Logo
174-686	2	Red Reflector
174-687	5	Amber Reflector
174-720	2	"KUH N KNIGHT PROTWIN SLINGER"
174-564	2	"8014"

Paint:

170-366 Kuhn Knight Yellow, Aerosol Can
 170-812 Kuhn Knight Yellow, Quart Can
 170-813 Kuhn Knight Yellow, Gallon Can

170-367 Kuhn Knight Red, Aerosol Can
 170-814 Kuhn Knight Red, Quart Can
 170-815 Kuhn Knight Red, Gallon Can

HARDWARE PART NUMBER LISTING

All fasteners are NC thread, Grade 5 unless otherwise specified.

HEX HEAD BOLTS

<u>Bolt Size</u>	<u>Part No</u>				
1/4 x 1/2	173-279	1/2 x 3/4	171-252	3/4 x 5	173-508
1/4 x 3/4	170-803	1/2 x 1	170-149	3/4 x 5 UNF	173-510
1/4 x 7/8	171-094	1/2 x 1-1/4	170-373	3/4 x 5-1/2 (Grade 8) UNF	173-514
1/4 x 1	170-310	1/2 x 1-1/2	170-002	3/4 x 6	171-116
1/4 x 1-1/2	170-068	1/2 x 1-1/2 (Grade 8)	172-951	3/4 x 6 UNF	173-511
1/4 x 2	172-986	1/2 x 1-3/4	171-774	3/4 x 6 (Grade 8)	173-231
1/4 x 2 (Grade 8)	175-073	1/2 x 2	171-802	3/4 x 7	173-745
1/4 x 2-3/4	171-203	1/2 x 2-1/4	172-387	3/4 x 7 UNF	173-747
1/4 x 3	171-403	1/2 x 2-1/2	170-885	3/4 x 7-1/2	175-004
1/4 x 3-1/2	173-640	1/2 x 2-1/2 (Full thread)	171-099	3/4 x 8	173-509
1/4 x 4	173-505	1/2 x 2-3/4	172-007		
		1/2 x 3	170-168	7/8 x 2-1/4	172-892
5/16 x 5/8	170-532	1/2 x 3-1/2	170-167	7/8 x 3	172-002
5/16 x 3/4	170-262	1/2 x 3-1/2 (Grade 8)	172-950	7/8 x 3-1/2	173-020
5/16 x 3/4 (Stainless steel)	174-787	1/2 x 4	173-111	7/8 x 4	173-299
5/16 x 7/8	170-256	1/2 x 4 (Full thread)	171-509	7/8 x 4 UNF	171-092
5/16 x 1	170-027	1/2 x 5	171-412	7/8 x 6-1/2	173-774
5/16 x 1-1/4 (Full thread)	170-188	1/2 x 6	173-506	7/8 x 7	173-749
5/16 x 1-1/2	170-372	1/2 x 6 (Grade 8)	174-944	7/8 x 7 UNF	174-097
5/16 x 1-3/4	170-263	1/2 x 6-1/2	173-711	7/8 x 8	173-750
5/16 x 2	172-987	1/2 x 7	174-328	7/8 x 8 UNF	173-515
5/16 x 2-1/2	170-369	1/2 x 7-1/2	175-107		
5/16 x 3	170-295	1/2 x 8-1/2	170-504	1 x 3-1/2	173-021
5/16 x 3-1/4	171-639	1/2 x 11	170-506	1 x 4	175-119
5/16 x 3-1/2	173-748			1 x 4 (Grade 8)	175-248
5/16 x 4	170-293	9/16 x 1	173-699	1 x 7 UNF	173-516
5/16 x 4-1/2	170-294	9/16 x 1-1/4	173-700	1 x 8	174-723
5/16 x 5 (Grade 8)	172-983	9/16 x 1-1/2	173-701	1 x 8 (grade 8) UNF	173-713
5/16 x 5-1/2 (Grade 8)	172-952	9/16 x 2	172-219	1-1/4 x 4-1/2 (grade 8)	175-003
		5/8 x 1	171-087		
3/8 x 3/4	170-439	5/8 x 1-1/4	171-366	M8 x 16MM (Grade 8.8)	174-610
3/8 x 3/4 (Stainless steel)	174-788	5/8 x 1-1/2	170-153	M8 x 20MM (Grade 8.8)	175-193
3/8 x 7/8	170-268	5/8 x 1-3/4 (Full thread)	170-030	M8 x 25MM (Grade 8.8)	174-900
3/8 x 7/8 (soc. hd.capscrew)	172-044	5/8 x 2	170-009	M10 x 22MM (Grade 8.8)	175-016
3/8 x 1	170-054	5/8 x 2 (Full thread)	171-772	M10 x 25MM (Grade 8.8)	173-344
3/8 x 1-1/4	170-005	5/8 x 2-1/4	173-009	M12 x 25MM (Grade 8.8)	171-566
3/8 x 1-1/4 (Stainless steel)	174-917	5/8 x 2-1/2	172-381	M12 x 35MM (Grade 8.8)	175-020
3/8 x 1-1/2	170-368	5/8 x 2-1/2 (Full thread)	170-129	M12 x 40MM (Grade 12.9)	175-190
3/8 x 1-3/4	172-383	5/8 x 2-3/4	172-356	M12 x 45MM (Grade 10.9)	174-911
3/8 x 2	170-245	5/8 x 3	170-258	M14 x 30MM (Grade 8.8)	173-518
3/8 x 2-1/4	170-320	5/8 x 3-1/2	170-038		
3/8 x 2-1/2	170-257	5/8 x 4	170-371	CARRIAGE BOLTS	
3/8 x 2-1/2 (Full thread)	170-128	5/8 x 4-1/2	170-067	1/4 x 1-1/4 (Grade 2)	170-311
3/8 x 2-1/2 (Lag)	171-775	5/8 x 5	170-065	1/4 x 1-1/2 (Grade 2)	170-355
3/8 x 3	170-380	5/8 x 5-1/2	172-421	1/4 x 2 (Grade 2)	170-299
3/8 x 3-1/2	170-292	5/8 x 6	170-381	1/4 x 2-1/2 (Grade 2)	171-394
3/8 x 4	170-877	5/8 x 6-1/2	173-777	1/4 x 2-3/4 (Grade 2)	170-508
3/8 x 4-1/4 (Black oxide)	171-813	5/8 x 7-1/2	173-019	1/4 x 3	170-509
3/8 x 4-1/2	170-519	5/8 x 9-1/2	171-039		
3/8 x 5	170-493			5/16 x 1 (Grade 2)	170-370
3/8 x 5-1/2	174-196	3/4 x 1-1/2	173-507	5/16 x 1-1/2 (Grade 2)	170-296
3/8 x 5-1/2 (Full thread)	170-593	3/4 x 2	171-768	5/16 x 2-1/2 (Grade 2)	171-395
3/8 x 6	174-304	3/4 x 2 (Full thread)	170-058	5/16 x 5-1/2 (Grade 2)	170-494
3/8 x 6-1/2	171-291	3/4 x 2 (Grade 8)	171-877		
3/8 x 7	172-587	3/4 x 2-1/4	171-275	3/8 x 3-1/2 (Grade 2)	171-283
		3/4 x 2-1/2	170-374	3/8 x 4-1/2 (Grade 2)	170-191
7/16 x 3/4	170-265	3/4 x 2-1/2 (Grade 8)	175-055	3/8 x 5 (Grade 2)	170-495
7/16 x 1	170-032	3/4 x 3	170-014	3/8 x 6-1/2 (Grade 2)	171-174
7/16 x 1-1/4	170-354	3/4 x 3 UNF	173-776	3/8 x 8 (Grade 2)	170-297
7/16 x 1-1/4 (Grade 8)	174-216	3/4 x 3-1/2	170-195	3/8 x 13 (Grade 2)	170-298
7/16 x 1-1/2	170-059	3/4 x 3-1/2 (Grade 8)	171-899	3/8 x 13-1/2 (Grade 2)	170-300
7/16 x 2	170-356	3/4 x 4	170-419		
7/16 x 2-1/2	170-379	3/4 x 4 (Grade 8) UNF	173-579	1/2 x 1-1/2 (Grade 5)	174-918
7/16 x 3	170-270	3/4 x 4-1/2	170-846	1/2 x 6-1/2 (Grade 2)	171-098
7/16 x 5-1/2	170-377	3/4 x 4-1/2 (Grade 8)	173-039	1/2 x 9 (Grade 2)	171-255
7/16 x 6	170-378	3/4 x 4-1/2 (Grade 8) UNF	173-588		
				5/8 x 2	175-110
				5/8 x 2-1/2 (Grade 5)	174-790

HARDWARE PART NUMBER LISTING CONTINUED:**PLOW BOLTS**

5/8 x 2	174-767
3/4 x 2-1/2	174-948

TRUSS HEAD BOLTS

#6-32 x 3/4	172-416
#6-32 x 1	173-079
#8-32 x 1-1/2	171-210
#10-32 x 3/4	171-604
#10-32 x 1	172-882
1/4 x 3/4	170-193
1/4 x 1	170-194
5/16 x 1	170-117

SET SCREWS (Socket Head)(Cup Point)

1/4 x 1/4	170-247
1/4 x 5/8	172-985
5/16 x 1/4	170-993
5/16 x 5/16	170-248
5/16 x 5/16 UNF	170-825
5/16 x 3/8 UNF	173-367
5/16 x 1/2	170-254
5/16 x 5/8 UNF	170-456
5/16 x 1	173-610
5/16 x 1-1/2	172-917
3/8 x 1/4	170-856
3/8 x 3/8	170-151
3/8 x 1/2	170-857
3/8 x 1/2 UNF	171-469
3/8 x 3/4	174-190
3/8 x 3/4 (Sq hd)	170-290
3/8 x 1	170-021
3/8 x 1 (Sq hd)	173-609
3/8 x 1 (Sq hd) (Dog pt)	171-551
7/16 x 7/16	170-288
7/16 x 1	170-147
1/2 x 5/8	170-249
1/2 x 1	170-438
1/2 x 1-1/4 (half dog point)	171-085
5/8 x 5/8	170-250
3/4 x 3/4 (Sq hd) (Dog pt)	170-251

HEX NUTS

#6-32	172-418
#10-32	171-606
1/4	170-125
5/16	170-119
3/8	170-007
7/16	170-062
7/16 (Grade 8) UNF	174-217
1/2	170-004
9/16	173-702
5/8	170-011
3/4	170-017
3/4 UNF	170-159
3/4 (Grade 8) UNF	173-520
7/8	171-776
1	173-022
1 UNF	173-714
1 (Grade 8)	175-247
1 (Grade 8) UNF	173-519
1-1/8 UNF	174-095
1-1/4 UNF	170-130
1-1/4 (Grade 8)	175-006
M8 x 1.25MM	172-949
M30 x 1.5MM	174-902
M50 x 1.5MM	175-200

LOCK NUTS

#6-32	174-188
#10-32	174-073
1/4	170-069
5/16	170-137
3/8	170-047
7/16	170-239
1/2	170-042
1/2 UNF	170-566
1/2 (Grade 8)	171-671
9/16	172-220
5/8	170-031
3/4	170-185
3/4 (Grade 8)	171-900
3/4 (Grade 8) UNF	173-578
7/8	173-069
7/8 UNF	171-093
1	174-928
1 UNF	170-527
M45 x 1.5MM	175-199
M50 x 1.5MM	175-197

JAM NUTS

1/4UNF	171-386
5/16	173-521
3/8	170-022
7/16	170-046
1/2	170-036
5/8	170-037
3/4	170-035
1	174-927

FLAT WASHERS

#10	171-525
1/4	170-301
1/4 Heavy	171-083
1/4 Fender	173-672
5/16	170-127
5/16 Fender	173-811
3/8	170-244
3/8 Heavy	170-302
3/8 Aluminum	173-900
7/16	170-138
1/2	170-040
1/2 (Grade 8)	172-984
9/16	173-693
5/8	170-066
5/8 (Grade 8)	173-581
3/4	170-015
7/8	173-298
7/8 Heavy	170-131
1	170-122
1-1/4	170-928

LOCK WASHERS

#6	172-417
#10	171-605
1/4	170-124
5/16	170-118
3/8	170-006
7/16	170-061
1/2	170-003
9/16	173-692
5/8	170-010
3/4	170-016
3/4 External Tooth	174-793
7/8	172-003
1	171-021
1-1/4	175-005

ZERKS

1/8 NPT	170-865
1/8 NPT-45 Deg	170-864
1/8 NPT-65 Deg	170-215
1/8 NPT-90 Deg	170-866
3/16 drive in	174-124
1/4-28	170-023
1/4-28 - 45 Deg	170-148
1/4-28 - 90 Deg	170-049
1/4 NPT	170-277
1/4 NPT - 45 Deg	174-130

COTTER PINS

1/16 x 1/2	170-992
3/32 x 3/4	170-364
1/8 x 1	170-045
1/8 x 1-1/4	170-033
1/8 x 1-1/2	170-382
5/32 x 1	170-421
5/32 x 1-1/2	170-236
5/32 x 3	170-135
3/16 x 1-1/4	170-991
3/16 x 2	170-115
1/4 x 1-1/2	170-521
1/4 x 2	170-056
1/4 x 2-1/2	173-961

ROLLER CHAIN**CONNECTOR LINKS**

#50	170-088
#50-2R	170-094
#60	170-089
#60-2R	170-095
#60H	171-102
#80	170-090
#80H	170-821
#100	170-091
#100H	171-969
#120	170-092
#140	170-093
#140H	173-552
#160	170-888

OFFSET LINKS

#50	170-096
#50-2R	170-102
#60	170-097
#60-2R	170-103
#60H	171-103
#80	170-098
#80H	170-820
#100	170-099
#100H	172-145
#120	170-100
#140	170-101
#140H	173-553
#160	170-887

ROLLER LINKS

#50	171-415
#60	171-416
#80	171-417
#80H	170-795
#100	171-418
#100H	172-146
#120	171-419
#140	171-420
#160	171-421

KUNN KNIGHT INC.

1501 West 7th Ave. Brodhead, WI 53520-0167
701 Cherry Ave. Greeley, Co. 80632

PART NUMBER INDEX

101-583	9	135-749	5	170-814	25	172-195	19
101-633	9	135-774	21	170-815	25	172-229	11
101-659	5	135-779	5	170-835	9	172-270	11
101-761	7	135-783	5	170-845	7	172-284	17
101-818	7	135-787	5	170-849	25	172-285	11,13,15
101-911	7	135-788	5	170-865	11,13,15	172-367	5
102-006	9	135-789	5	170-865	17,18	172-421	9
102-216	21	135-790	5	170-893	25	172-422	9
102-232	17	135-797	21	170-984	19	172-759	25
102-233	17	135-798	5	170-985	19	172-772	9
102-269	21	135-831	5	170-987	19	172-820	25
102-270	21	136-002	5	171-045	7	172-860	22
102-271	21	136-040	21	171-068	9	172-873	5
102-272	21	136-286	5	171-146	5	172-874	5
102-273	21	136-496	9	171-309	9	172-877	25
102-274	21	136-977	21	171-414	15,17	172-886	9
102-275	18	136-978	21	171-544	22	172-894	5
102-276	5	136-989	13,15	171-550	22,23,25	172-919	23
102-277	5	140-426	5	171-585	5	172-995	7
102-278	7	141-124	21	171-586	9	172-996	7
102-280	21	141-125	21	171-607	5	172-997	7
102-281	5	141-496	24	171-653	11	173-029	23
102-282	17	142-003	9	171-696	9	173-030	23
102-283	17	142-082	9	171-712	25	173-040	25
102-486	13	170-002	9	171-751	22,23	173-118	13,15,17
102-488	21	170-006	9	171-753	22,23	173-119	17
102-522	21	170-008	5,9	171-754	22,23	173-157	23
102-523	21	170-030	9	171-755	22,23	173-198	22
102-524	21	170-031	9	171-756	22,23	173-202	22
102-562	13,15	170-037	9	171-757	23	173-204	22
102-563	13,15	170-042	9	171-759	23	173-205	22
102-564	13,15	170-047	23	171-760	23	173-206	22
102-565	13,15	170-056	11,13,15	171-761	23	173-207	22
103-621	9	170-073	9	171-762	23	173-271	9
103-623	9	170-074	9	171-774	9	173-274	9
130-128	5	170-112	17	171-799	22,23,25	173-275	9
132-967	15,17	170-115	9	171-801	7	173-372	11,13,15,17
133-288	9	170-122	9	171-809	11	173-373	11,13,15,17
133-316	5	170-131	17	171-810	11	173-493	9
133-445	9	170-132	17	171-813	23	174-514	25
133-539	5	170-171	13,15,17	171-815	11	174-564	25
133-556	21	170-220	22,23	171-819	21	174-577	11
133-557	21	170-232	9	171-820	25	174-580	13,15
133-603	9	170-235	9	171-821	25	174-582	13,15
133-604	9	170-236	17	171-823	11	174-583	13,15
133-633	9	170-366	25	171-824	11	174-584	13,15
133-637	9	170-367	25	171-825	11,13,15	174-585	13,15
134-155	7	170-369	22	171-826	11,17	174-586	13,15
134-174	9	170-386	19	171-827	11,13,15,17	174-587	13,15
134-461	5	170-397	19	171-828	11	174-656	22
134-464	17	170-490	25	171-829	11,13,15	174-664	22
134-586	9	170-499	5	171-830	11,13,15	174-665	22
134-670	5	170-550	17	171-831	11	174-673	24
134-785	9	170-545	17	171-832	11,13,15	174-674	24
134-902	9	170-546	17	171-833	11,13,15	174-675	24
135-555	21	170-553	17	171-850	13,15,17	174-686	25
135-597	5	170-554	17	171-860	19	174-687	25
135-598	5	170-556	17	171-913	25	174-720	25
135-614	18	170-705	17	171-915	25	174-724	24
135-724	5	170-720	22,23	171-934	5	174-725	24
135-725	5	170-755	17	172-005	7	174-775	24
135-726	21	170-800	7	172-006	7	175-035	9
135-727	21	170-812	25	172-018	22,23	175-264	13,15
135-733	21	170-813	25	172-019	22,23	175-299	9
135-734	21			172-110	24	175-317	5
				172-171	25	175-318	5,13