

Pièces de rechange
Spare parts list
Ersatzteilliste
Catalogo Pezzi di Ricambio



Epandeur à fumier
Manure spreader
Mistverteiler
Spandiletame

8110 / 8114 Pro Twin Slinger Trailer





ProTwin Slinger

8110/8114

Trailer Type Parts Manual

Table of Contents	
Abbreviations	4
Using this Service Parts Listing	5
Front Drive Parts.....	6
Chains and Tighteners.....	8
Discharge Parts for 8110 Model D and 8114 Model C Series	10
Discharge Parts for 8110 Models A,B and C and 8114 Models A and B Series	12
Door Seal.....	14
Wheel Chocks.....	15
8110 Running Gear Parts	16
8114 Running Gear parts (Single Axle Option).....	18
8114 Running Gear Parts (Tandem Axle Option).....	20
8110 High Clearance Brake Option	22
Rear End Parts	23
Jackstand parts.....	24
Safety Chain for Towed Equipment	24
Auger and Splash Guard Parts.....	26
PTO Driveline and Friction Clutch (540 RPM - 6 Spline , 1-3/8" Yoke).....	28
PTO Driveline and Torque Disconnect Clutch (540 RPM - 6 Spline , 1-3/8" Yoke)...	29
Light Kit (Ag use only), before series D0001	30
Light Kit (Ag use only), before series D0001	31
Enhanced lighting (SAE)	32
Enhanced lighting (ISO).....	33
Decals.....	34
Paint.....	34
Hardware Part Number Index.....	36
Part Number Index.....	38

Catalog Part Number 006018 Unit Serial Number _____

[Operator's Instruction Manual for this unit: 006016](#)

Abbreviations

Assy	Assembly
A/R	As Required
B	Bolt
Brg	Bearing
BSN	Before Serial Number
Btm	Bottom
C-Bolt	Carriage Bolt
Cttr	Cotter
CV	Constant Velocity
Deg	Degree
Dia	Diameter
ea	Each
eq or Equiv	Equivalent
Fln	Flanged Lock Nut
Fw	Flat Washer
Ga	Gauge
Gr or Grd	Grade
Hd	Head
Hfw	Heavy Flat Washer
Hyd	Hydraulic
ID	Inside Diameter
Ill or Illus	Illustration
Ind	Indicator
Jn	Jam Nut
Kw	Keyway
LH	Left Hand
Ln	Lock Nut
Lw	Lock Washer
Mtg Hrd	Mounting Hardware
NC	National Coarse
NF	National Fine
NLA	No Longer Available
NPT	National Pipe Thread
OD	Outside Diameter
Pc(s)	Piece(s)
PD	Pitch Diameter
PTO	Power Takeoff (shaft)
Qty	Quantity
RH	Right Hand
SN	Serial Number
SHCS	Socket Head Cap Screw
Spk, or Spkt or Sprkt	Sprocket
Sq	Square
SS	Stainless Steel
SSB	Stainless Steel Bolt
St	Straight
Std	Standard
STS	Self Tapping Screw
UASN	Used After Serial Number
UBSN	Used Before Serial Number
W	With
W/O	With Out

Using this Service Parts Listing

This listing uses a number indentation system to specify the parts of an assembly. Any number which is indented to the right, indicates that it is a component of the item to the upper left. Example:

Part no	Qty	Description
102-AAA	#	Assembly A
102-BBB	#	Sub-Assembly B (Component of A)
140-xxx	#	Sub-Component of B
140-xxx	#	Sub-Component of B
102-CCC	#	Sub-Assembly C (Component of A)
etc.		

Using this system, the subassemblies and their components are included if an **Assembly** is ordered. Similarly, the components of a subassemblies are included if a subassembly is ordered.

The quantity (Qty) associated with an assembly, represents the number of times an assembly could be shown in the drawing. The subassembly quantity however, is the number of times a subassembly is used to build one assembly. Similarly, the component quantity refers to the number of times a given component is found in one subassembly.

MODEL AND SERIAL NUMBER INFORMATION is located near the front left hand corner (Fig. A). The model number, serial number and part number should be known when asking service personnel for parts.

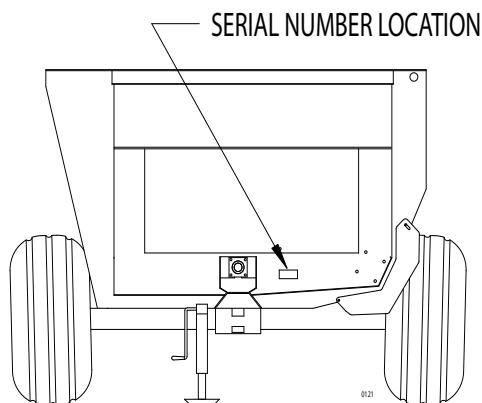


Figure A

The serial number may consist of a number, or a number with a letter prefix. When referring to serial number breaks in the text of this manual, a serial number with a prefix will have been manufactured after a serial number without a prefix (A001 made after 0123). Likewise, a higher prefix letter would indicate manufacture after a lower prefix letter (B001 made after A123). Therefore, if the text refers to units manufactured after serial number B123, this would include “B” series numbers greater than 123, and all numbers with a higher letter prefix.

If you cannot find the part you need, be as descriptive as possible when placing an order:

Sprockets: give the bore size, number of teeth, and size of keyway.

Roller chain: give the size of chain (stamped on the side of each link) and number of links.

Shafting: give the diameter, length, and quantity and size of keyways.

Hardware is generally not included with parts. If you need any hardware, check the size, the length, and the grade (Fig. B), then check the hardware list in this manual for the part numbers.

All hex head bolts are grade 5, and nuts are grade 5 unless otherwise stated.

The hardware listing also includes zerks, cotter pins, set screws, and roller chain links.

The illustrations in this manual are meant to be used only as a guide for identifying parts and locating their relative positions.

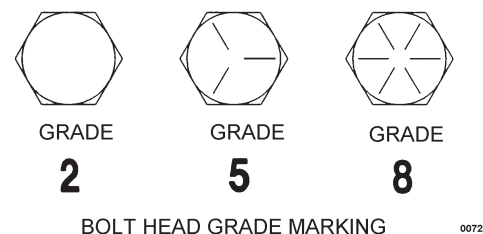


Figure B

Front Drive Parts

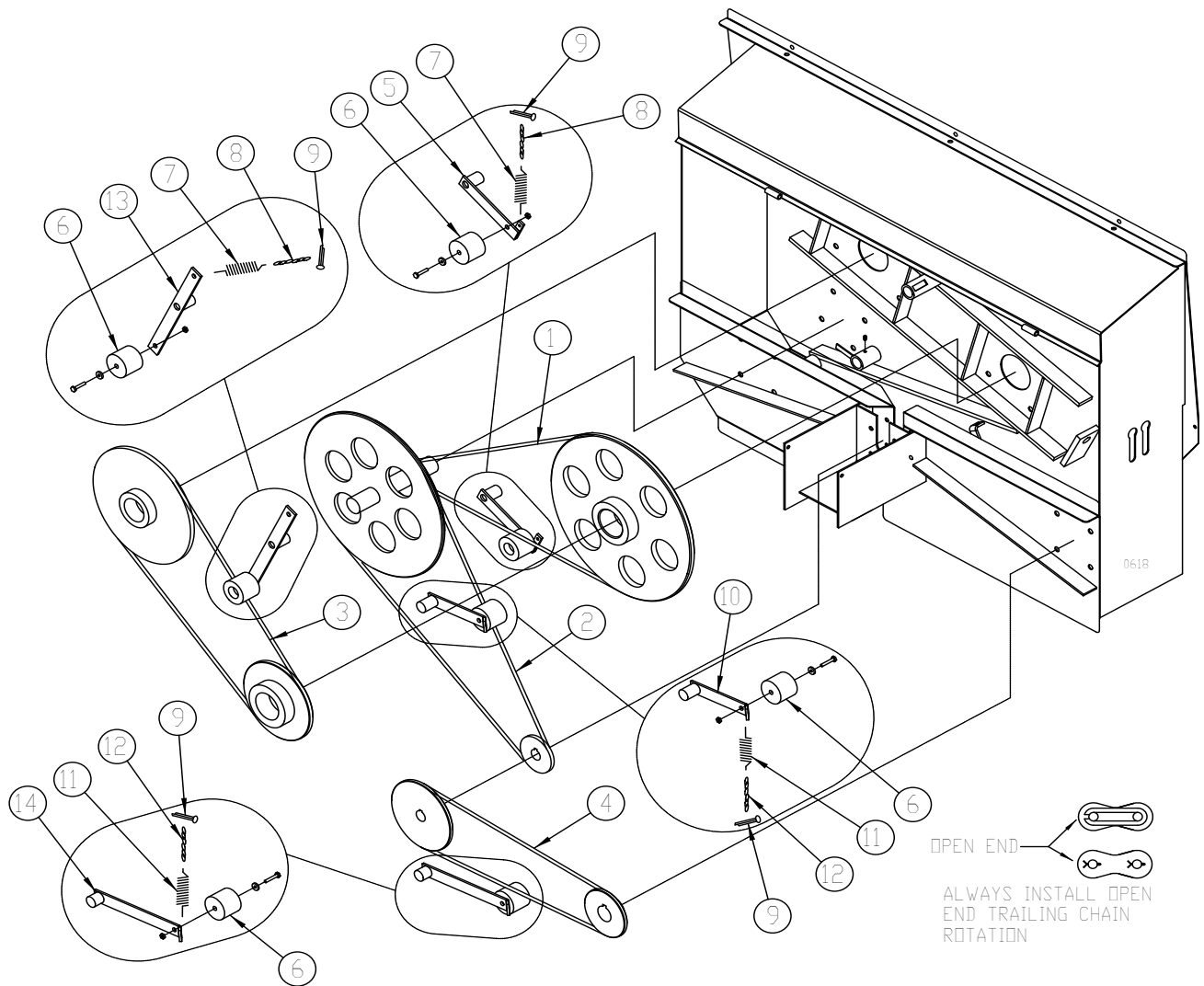
REF	PART NO	QTY	DESCRIPTION
1	171-934	1	Snap Ring; 3" External
2	135-789	1	Sprocket; 80-B-45, 3" Bore, Splined Hub
3	136-285	1	Thrust Washer; 3" ID
4	172-873	1	Quadring Seal
5	102-276	1	Bearing Assembly, 3"; Mtg Hrd: 5/8" x 1 1/2" Bolt, Fw, Lock Nut
6	135-779	1	Plastic Sleeve Bushing, 3" ID
7	135-749	1	Bearing Spacer
8	170-008	2	Bearing, Flange, 2" Dia; (170-865 Grease Zerk, 1/8"NPT) Mtg Hrd:rear 5/8"x1 3/4" Bolt,LW,Nut, front 5/8" x 2 1/2" Bolt,Lw,Nut
9	135-725	1	Spacer, 2" Dia
10	135-790	1	Sprocket Assembly, 60-A-81 &100-A-11, 2" Bore
11	172-772	1	Spacer, 2" ID (8110)
	135-724	1	Spacer, 2" ID (8114)
12	135-831	1	Shield, PTO Cover;Mtg Hrd: 5/16" x 3/4" Bolt, 3/8 Bellville Washer (171-393), & Flange Lock Nut (170-137)
13	133-539	1	Plastic Strip, PTO Cover; Mtg Hrd: 5/16" x 3/4" Bolt, Fw, Flange Nut
14	170-499	2	Snap Ring, 1 3/8" External
15	175-317	A/R	Washer, 1 3/8" ID x 2 1/8" OD x .048 Thk
	175-318	A/R	Washer, 1 3/8" ID x 2 1/8" OD x .075 Thk
	171-146	A/R	Washer, 1 3/8" ID x 2 1/8" OD x .134 Thk
16	134-670	1	Input Shaft, 1-3/8" Dia
17	172-894	1	Key, 3/8" x 3/8" x 2 3/8"
18	171-585	2	Bearing, Flange, 1 3/8" Dia; Mtg Hrd: 1/2" x 1 3/4" Bolt, Lw, & Nut (170-865 Grease Zerk, 1/8" NPT)
19	133-316	1	Bearing Spacer Plate
20	134-461	1	Sprocket; 60-B-36, 1-3/8" Bore, 3/8" Keyway
	148-152	1	Sprocket, 60-B-36, 1-3/8" bore (Slow down)
21	132-678	1	Sprocket; 60-B-15, 1 3/8" Bore, 3/8" Keyway (8110)
	148-151	1	Sprocket, 60-B-13, 1 3/8" bore (Slow down) (8110)
	130-128	1	Sprocket; 60-B-18, 1-3/8" Bore, 3/8" Keyway (8114)
22	171-607	1	Snap Ring, 3-1/2" External
23	142-579	1	Sprocket; 80-B-42, 3 1/2" Bore, Splined Hub (8110)
	135-788	1	Sprocket, 80-B-30, 3 1/2" Bore, Splined Hub (8114)
24	140-426	1	Spacer, 3 1/2" ID
25	136-002	1	Sprocket, 100-B-52, 3 1/2" Bore, Splined Hub
26	136-286	1	Spacer, 3 1/2" ID
27	172-874	1	Quadring Seal
28	102-277	1	Bearing Assembly, 3 1/2"; Mtg Hrd: 5/8" x 1 1/2" Bolt, Fw, Lock Nut
29	135-783	1	Plastic Sleeve Bushing, 3 1/2" ID
30	135-598	2	Thrust Washer, 3 1/2" ID
31	104-161	1	Shield, Front Enclosure
	102-281 ^A	1	Shield, Front Enclosure
32	172-367*	A/R	Washer, 3" ID
33	101-659	1	Clevis (weld on)
34	135-597	1	Washer, 3"
35	105-476	1	Hitch Mount
36	105-778	1	Spade Hitch
37	176-586	2	Screw, hex hd 1"x8"
38	171-021	2	Washer, lock 1"
39	175-247	2	Nut, Hex
40	105-794	1	Bolt-On Tongue (8110 HC only)
41	87171802	9	HexHead Screw .50 x 2.00 (8110 HC only)
42	87172445	9	Flat Washer .50 SAE (8110 HC only)
43	87170042	9	Hex Nut .50 (8110 HC only)

A: used on serial numbers before 8114-B0001.

Kuhn North America, Inc.[Back to Table of Contents](#)

1501 West 7th Ave., Brodhead, WI 53520

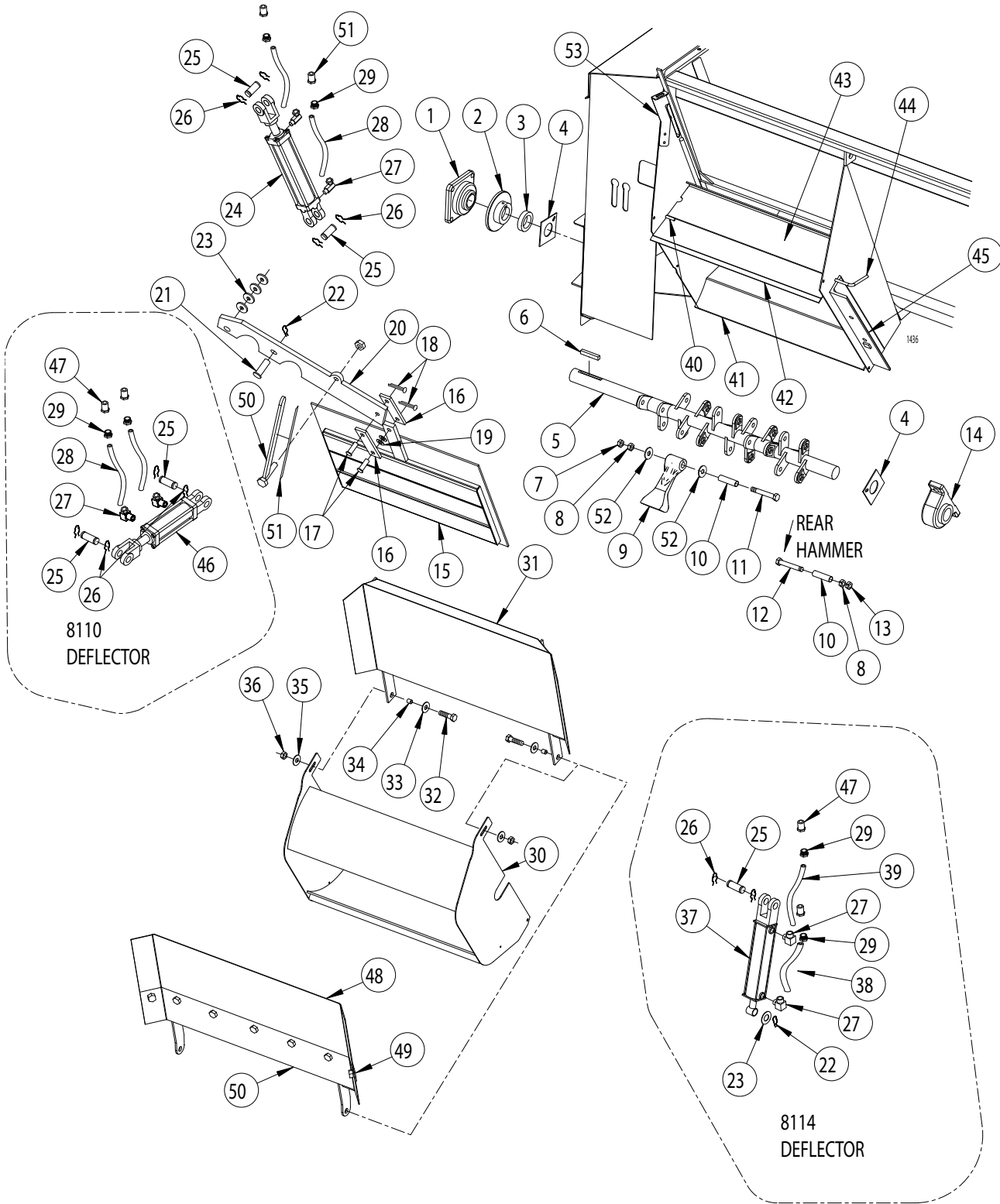
Chains and Tighteners



Chains and Tighteners

REF	PART NO	QTY	DESCRIPTION
1	172-997	1	Roller Chain; 100-1-77 Pitch, W/Connector Link
2	172-995	1	Roller Chain; 60-1-111 Pitch, W/Connector Link
3	172-831	1	Roller Chain; 80-1-86 Pitch, W/Connector Link (8110)
	171-801	1	Roller Chain; 80-1-84 Pitch, W/Connector Link (8114)
4	172-996	1	Roller Chain; 60H-1-102 Pitch, W/Connector Link
5	102-278	1	Chain Tightener Arm
	170-023	4	Zerk, 1/4" Tapered
6	134-155	4	Poly Tightener Block, 3" OD x 2 1/2" Mtg Hrd: 1/2" x 2 3/4" Bolt, Fw, Lw, Nut
7	172-005	2	Spring, Extension
8	171-045	2	Machine Chain; #4 x 22 Links
9	170-800	4	Clinch Pin
10	101-911	1	Chain Tightener Arm
	170-023	4	Zerk, 1/4" Tapered
11	172-006	2	Spring, Extension
12	170-845	2	Machine Chain; #4 x 17 Links (8110)
	170-478	2	Machine Chain; #4 x 12 Links (8114)
13	101-818	1	Chain Tightener Arm
	170-023	4	Zerk, 1/4" Tapered
14	101-761	1	Chain Tightener Arm
	170-023	4	Zerk, 1/4" Tapered

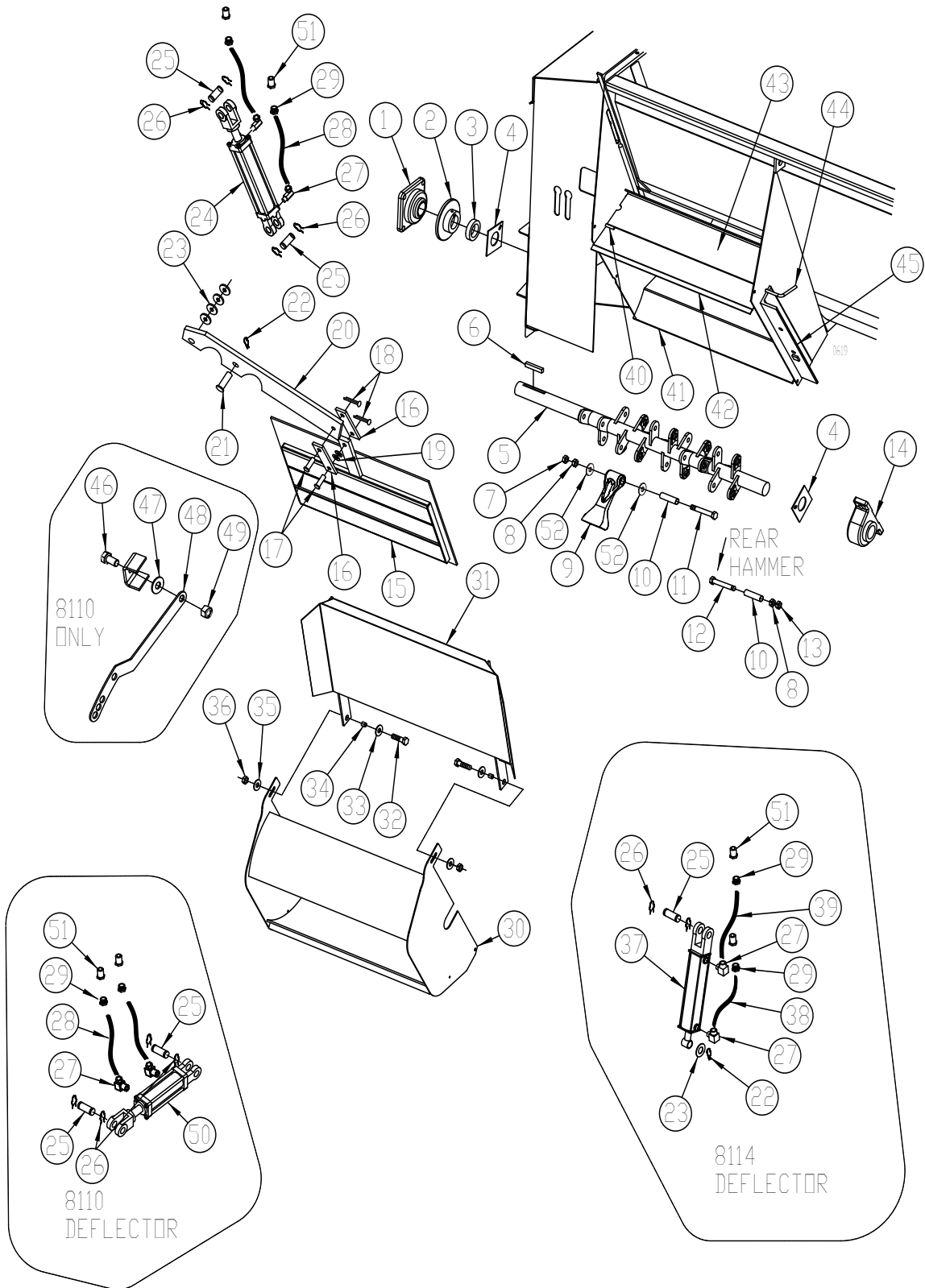
Discharge Parts for 8110 Model D and 8114 Model C Series



Discharge Parts for 8110 Model D and 8114 Model C Series

REF	PART NO	QTY	DESCRIPTION
1	170-008	1	Bearing, 2" Flanged; MTG Hrd: 5/8" x 1 3/4" Bolt, LW, & Nut
2	134-785	1	Sprocket, 60-B-24; (170-151 3/8" Setscrew)
3	172-772	1	Lock Collar
4	133-604	2	Plastic Seal; Mtg Hrd: 1/4" x 1" Bolt, FW,Hfw, Lock Nut
5	102-006	1	Hammer Shaft Assembly
6	170-835	1	Key, Straight, 1/2" x 1/2" x 1-1/2"
7	170-031	11	Lock Nut; 5/8" (Grade 5)
8	170-037	12	Jam Nut; 5/8" (Grade 5)
9	76035110	12	Hammer
10	76036190	12	Bushing, Straight Nylon
11	172-421	11	Bolt, 5/8" x 5-1/2" (Grade 5)
12	142-003	1	Bolt, 5/8" x 4-3/4" (Grade 5) (Rear Hammer Only)
13	172-866	1	Jam Lock Nut, 5/8" (Grade 5) (Rear Hammer Only)
14	171-586	1	Pillow Block Bearing 2"; Mtg Hrd; 5/8" x 2 1/2" (172-381) B, FW, JN & LN (2 ea.)
15	101-583	1	Discharge Door Assembly
16	133-445	2	Door Linkage Bar
17	171-696	2	Clevis Pin, 5/8" Dia
18	170-115	2	Cotter Pin, 3/16" Dia
19	170-066	A/R	Flat Washer, 5/8" Inside Dia
20	136-496	1	Door Pivot Bar
21	170-073	1	Clevis Pin, 1" Dia
22	170-074	1	Hairpin Clip
23	170-122	A/R	Flat Washer, 1" Inside Dia
24	176-141	1	Hydraulic Cylinder (includes pins and clips)
25	173-274	2	Clevis Pin, 1" Dia (8110) (without hydraulic deflector option, qty 4 with)
	173-274	3	Clevis Pin, 1" Dia (8114)
26	176-508	4	Hairpin Clip (8110) (without hydraulic deflector option, qty 8 with)
	176-508	6	Hairpin Clip (8114)
27	175-673	2	Adapter, 90 Degree, 06JFS x 06JM (8110) (without hydraulic deflector option, qty 4 with)
	175-673	4	Adapter, 90 Degree, 06JFS x 06JM (8114)
28	175-689	4	Hydraulic Hose, 1/4" x 130" OAL (8110) (without hydraulic deflector option, qty 4 with)
	175-689	2	Hydraulic Hose, 1/4" x 130" OAL (8114)
29	175-675	2	Adapter, Straight, 08OM x 06JM (8110) (without hydraulic deflector option, qty 4 with)
	175-675	4	Adapter, Straight, 08OM x 06JM (8114)
30	101-633	1	Discharge Shroud; Mtg Hrd: 3/8" x 1 1/2" Bolt & Lock Nut (2ea) (170-368)
31	104-380	1	Deflector Assembly (8110)
	103-621	1	Deflector Assembly (8114)
32	170-368	2	Bolt, 3/8" x 1 1/2"
33	170-244	2	Washer, 3/8"
34	142-081	2	Bushing
35	170-302	2	Heavy Washer, 3/8"
36	170-047	2	Lock Nut, 3/8"
37	104-552	1	Hydraulic Cylinder (8114) (includes pins and clips)
38	175-691	1	Hydraulic Hose, 1/4" x 198" OAL (8114)
39	175-925	1	Hydraulic Hose, 1/4" x 192" OAL (8114)
40	133-637	1	Cover Hinge, .38 Dia x 2" (Weld on)
41	133-603	1	Bottom Mount, 5/16" x 14 1/16" x 30" (Weld on)
42	133-633	1	Top Door Frame, 10Ga x 5 1/4" x 30" (Weld on)
43	135-798	1	Cleanout Cover, 7Ga x 7 1/2" x 29 3/4" (Weld on)
44	134-902	1	Cleanout Handle (Weld on)
45	133-288	1	Angle, RH Bearing Mount (Weld on)
46	175-686	1	Hydraulic Cylinder, 8" Stroke (8110) (includes pins and clips)
47	175-687	2	Quick Coupler
48	148-153	1	Belt, rubber
49	148-160	1	Sheet, 12 GA, Mtg Hrd: 5/16" x 1-1/4" Bolt, washer,nut (7ea) washer (14ea)
50	105-779	1	Indicator, Mtg Hrd: 7/16" lock nut
51	172-862	1	Decal
52	148-165	1	
53	76036180	24	Nylatron Washer

Discharge Parts for 8110 Models A,B and C and 8114 Models A and B Series



Discharge Parts for 8110 Models A,B and C and 8114 Models A and B Series

REF	PART NO	QTY	DESCRIPTION
1	170-008	1	Bearing, 2" Flanged; MTG Hrd: 5/8" x 1 3/4" Bolt, LW, & Nut
2	134-785	1	Sprocket, 60-B-24; (170-151 3/8" Setscrew)
3	172-772	1	Lock Collar
4	133-604	2	Plastic Seal; Mtg Hrd: 1/4" x 1" Bolt, FW,Hfw, Lock Nut
5	102-006	1	Hammer Shaft Assembly
6	170-835	1	Key, Straight, 1/2" x 1/2" x 1-1/2"
7	170-031	11	Lock Nut; 5/8" (Grade 5)
8	170-037	12	Jam Nut; 5/8" (Grade 5)
9	76035110	12	Hammer
10	76036190	12	Bushing, Straight Nylon
11	172-421	11	Bolt, 5/8" x 5-1/2" (Grade 5)
12	142-003	1	Bolt, 5/8" x 4-3/4" (Grade 5) (Rear Hammer Only)
13	172-866	1	Jam Lock Nut, 5/8" (Grade 5) (Rear Hammer Only)
14	171-586	1	Pillow Block Bearing 2"; Mtg Hrd; 5/8" x 2 1/2" (172-381) B, FW, JN & LN (2 ea.)
15	101-583	1	Discharge Door Assembly
16	133-445	2	Door Linkage Bar
17	171-696	2	Clevis Pin, 5/8" Dia
18	170-115	2	Cotter Pin, 3/16" Dia
19	170-066	A/R	Flat Washer, 5/8" Inside Dia
20	136-496	1	Door Pivot Bar
21	170-073	1	Clevis Pin, 1" Dia
22	170-074	1	Hairpin Clip
23	170-122	A/R	Flat Washer, 1" Inside Dia
24	173-271	1	Hydraulic Cylinder (includes pins and clips)
25	173-274	2	Clevis Pin, 1" Dia (8110) (without hydraulic deflector option, qty 4 with)
	173-274	3	Clevis Pin, 1" Dia (8114)
26	173-275	4	Hairpin Clip (8110) (without hydraulic deflector option, qty 8 with)
	173-275	6	Hairpin Clip (8114)
27	171-030	2	Adapter, 3/8" x 90 Degree (8110) (without hydraulic deflector option, qty 4 with)
	171-030	4	Adapter, 3/8" x 90 Degree (8114)
28	171-309	2	Hydraulic Hose, 1/4" x 132" OAL (8110) (without hydraulic deflector option, qty 4 with)
	171-309	2	Hydraulic Hose, 1/4" x 132" OAL (8114)
29	170-235	2	Adapter, 1/2" x 3/8" (8110) (without hydraulic deflector option, qty 4 with)
	170-235	4	Adapter, 1/2" x 3/8" (8114)
30	101-633	1	Discharge Shroud; Mtg Hrd: 1/2" x 1 1/4" Bolt & Lock Nut (2ea)
31	104-380	1	Deflector Assembly (8110)
	104-304 ^B	1	Deflector Assembly (8110)
	104-178 ^A	1	Deflector Assembly (8110)
	103-621	1	Deflector Assembly (8114)
32	170-368	2	Bolt, 3/8" x 1 1/2"
	170-002 ^C	2	Bolt, 1/2" x 1 3/4"
33	170-244	2	Washer, 3/8"
	171-774 ^C	2	Bolt, 1/2"x1 3/4
34	142-081	2	Bushing
35	170-302	2	Heavy Washer, 3/8"
	175-299 ^C	2	Heavy Washer, 1/2"
36	170-047	2	Lock Nut, 3/8"
	170-042 ^C	2	Lock Nut, 1/2"
37	103-623	1	Hydraulic Cylinder (8114) (includes pins and clips)
38	173-493	1	Hydraulic Hose, 1/4" x 198" OAL (8114)
39	171-068	1	Hydraulic Hose, 1/4" x 192" OAL (8114)
40	133-637	1	Cover Hinge, .38 Dia x 2" (Weld on)
41	133-603	1	Bottom Mount, 5/16" x 14 1/16" x 30" (Weld on)
42	133-633	1	Top Door Frame, 10Ga x 5 1/4" x 30" (Weld on)
43	135-798	1	Cleanout Cover, 7Ga x 7 1/2" x 29 3/4" (Weld on)
44	134-902	1	Cleanout Handle (Weld on)
45	133-288	1	Angle, RH Bearing Mount (Weld on)
46	175-384 ^A	1	Bolt, 1" x 2" (Grade 5) (8110)
47	170-122 ^A	1	Washer, 1" (8110)
48	142-573 ^A	1	Deflector Manual Positioner (8110)
49	174-928 ^A	1	Lock Nut, 1" (Grade 5) (8110)
50	173-270	1	Hydraulic Cylinder, 8" Stroke (8110) (includes pins and clips)
	175-385 ^C	1	Hydraulic Cylinder, 6" Stroke (8110) (includes pins and clips)
51	175-536	2	Pioneer Quick Coupler
52	76036180	24	Nylatron Washer

^AParts used on A model serial numbered units.

^BParts used on B model serial numbered units

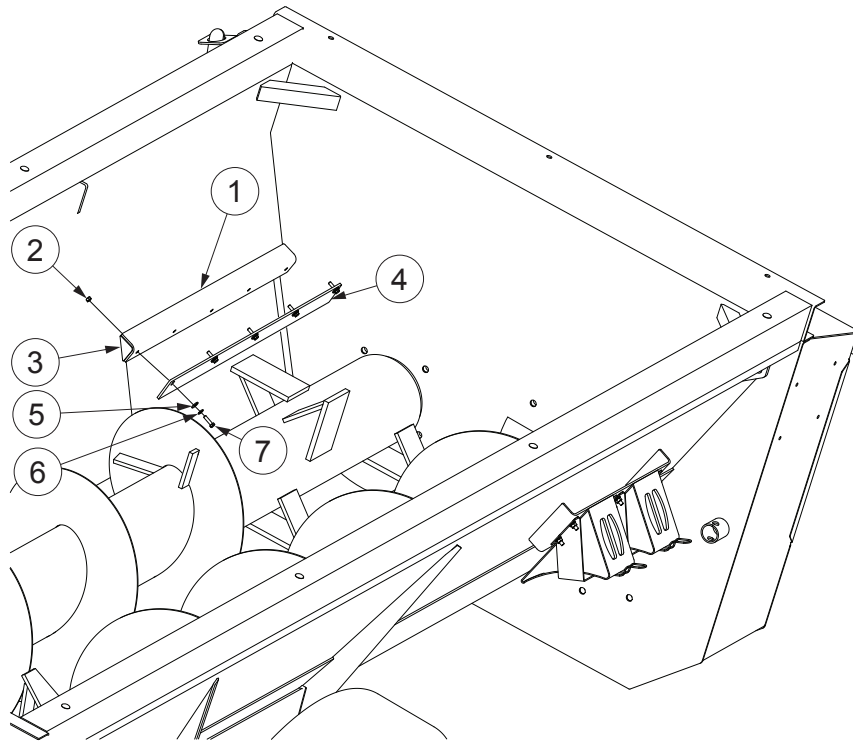
^CPart used on A and B model serial number units.

Kuhn North America, Inc.

1501 West 7th Ave., Brodhead, WI 53520

[Back to Table of Contents](#)

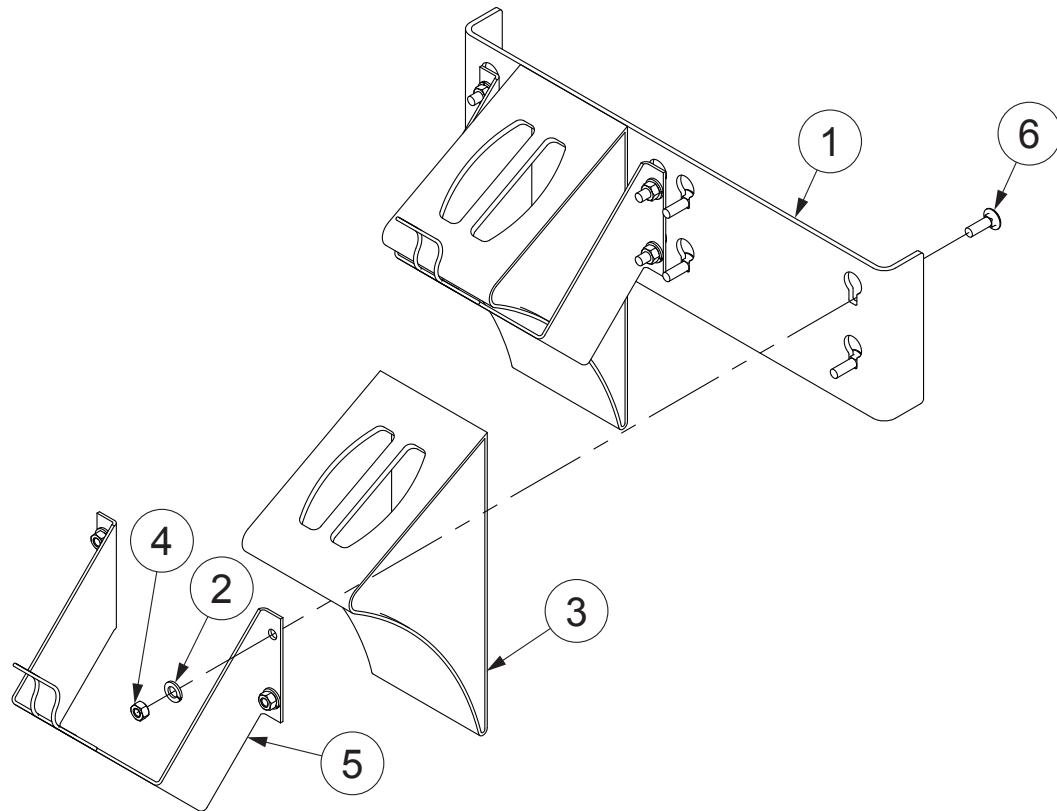
Door Seal



Door Seal

REF	PART NO	QTY	DESCRIPTION
1	148-291	1	Plate, .25 x 3.52 x 30.50
2	87175981	5	Nut, Hex, .31 NC Grd 5
3	144-633	1	Sheet, 12GA x 1.79 x 1.79
4	148-292	1	Sheet, .25 x 3.50 x 29.50
5	170-127	5	Washer, Flat, .31 USS
6	170-118	5	Washer, Lock, .31 ZP
7	170-188	5	Screw, HxHd, .31 x 1.25

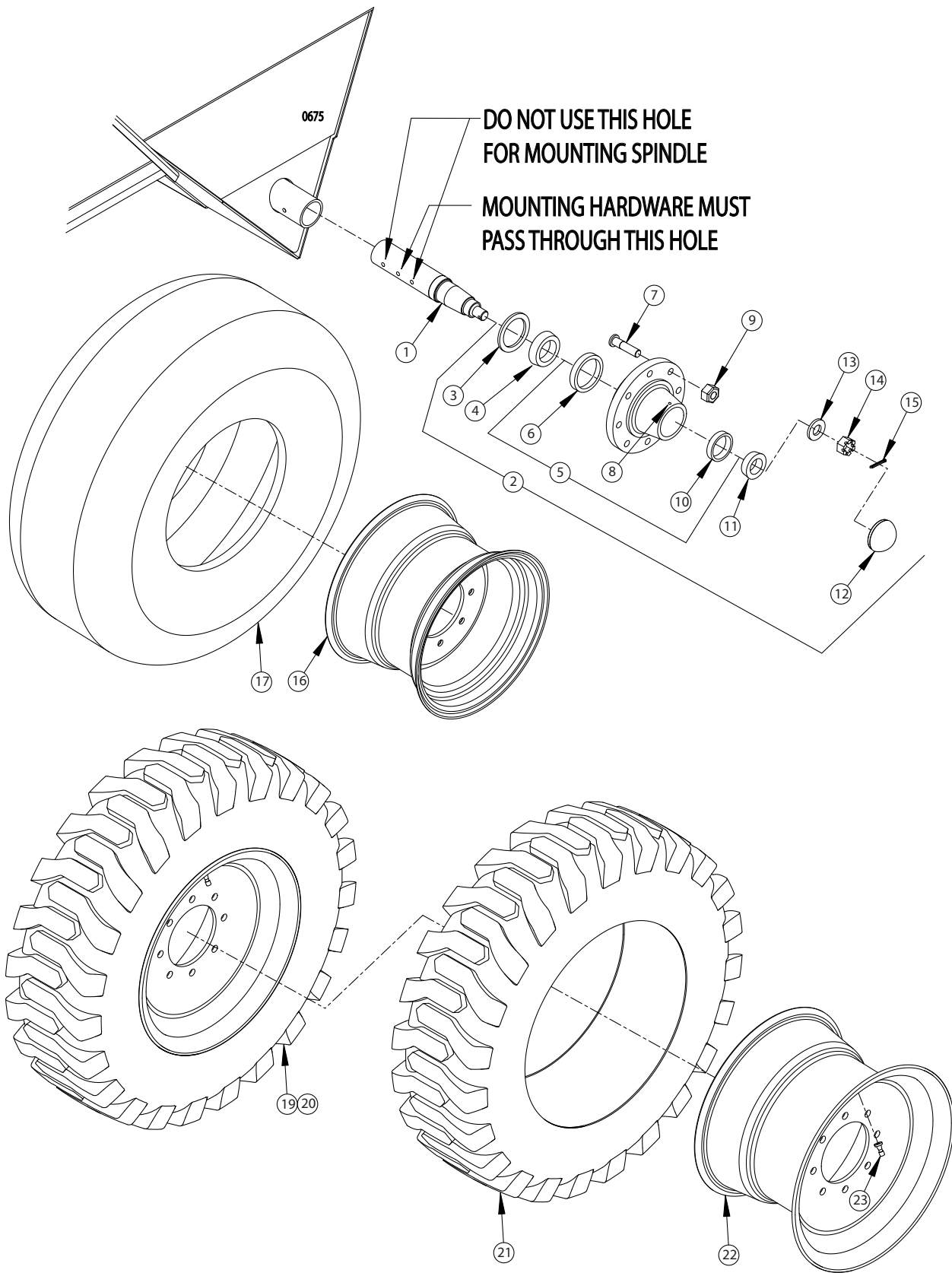
Wheel Chocks



Wheel Chocks

REF	PART NO	QTY	DESCRIPTION
1	148-017	1	Sheet, 7Ga x 5.63 x 21.00
2	170-118	8	Washer, Lock, .31 ZP
3	A7021001	2	Wheel Chock
4	170-119	8	Nut, Hex, .31 NC GRD5
5	A7021003	2	Support
6	170-370	8	Bolt, Carriage, .31 x 1.00 NC GRD2

8110 Running Gear Parts



8110 Running Gear Parts

REF	PART NO	QTY	DESCRIPTION
1	136-990	2	Spindle; Mtg Hrd: 3/8" x 4" Bolt & LN (2ea)
2	174-587	2	8-Bolt Hub Assembly
3	174-585	1	Grease Seal
4	174-584	1	Inside Bearing Cone
5	174-582	1	8-Bolt Hub
6	174-583	1	Inside Bearing Race
7	174-586	8	Wheel Stud; 5/8"
8	170-865	1	Grease Zerk; 1/8" NPT
9	171-827	8	Wheel Nut; 5/8"
10	171-825	1	Outside Bearing Race
11	171-829	1	Outside Bearing Cone
12	171-830	1	Dust Cap
13	171-832	1	Spindle Washer
14	171-833	1	Castle Nut; 1" NF
15	170-056	1	Cotter Pin; 1/4" x 2"

Wheel and Tire Combinations

16	174-580	2	Wheel, 16.1 x 11C
17	173-118	2	Tire, 14L x16.1 Implement
18	174-577	2	Tube, 15R/16.5R/18R x 22.5 (not shown)
16	172-285	2	Wheel, 22.50 x 8.25
17	173-373	2	Tire, 275-80R x 22.5
18	173-372	2	Tube, 275/80R x 22.5 (not shown)
16	172-229	2	Wheel, 22.50 x 11.25
17	171-653	2	Tire, 385-65R x 22.5 Truck Rib Hwy Tread
18	175-264	2	Tube, 14L x 16.1 (not shown)
16	76073270	2	Wheel, 16.1 x 14 - 8 Hole, .38 Pos Offset
17	76072390	2	Tire, 16.5L x 16.1 Implement, 10 Ply
19	105-775	1	Tire and wheel, 10.5/80-18 (left hand)
20	105-776	1	Tire and wheel, 10.5/80-18 (Right hand)
21	178-025	1	Tire, 10.5/80-18, 10 ply
22	178-026	1	Wheel, 18x9, 1" pos off
23	173-194	1	Stem, valve, 1-1/4"

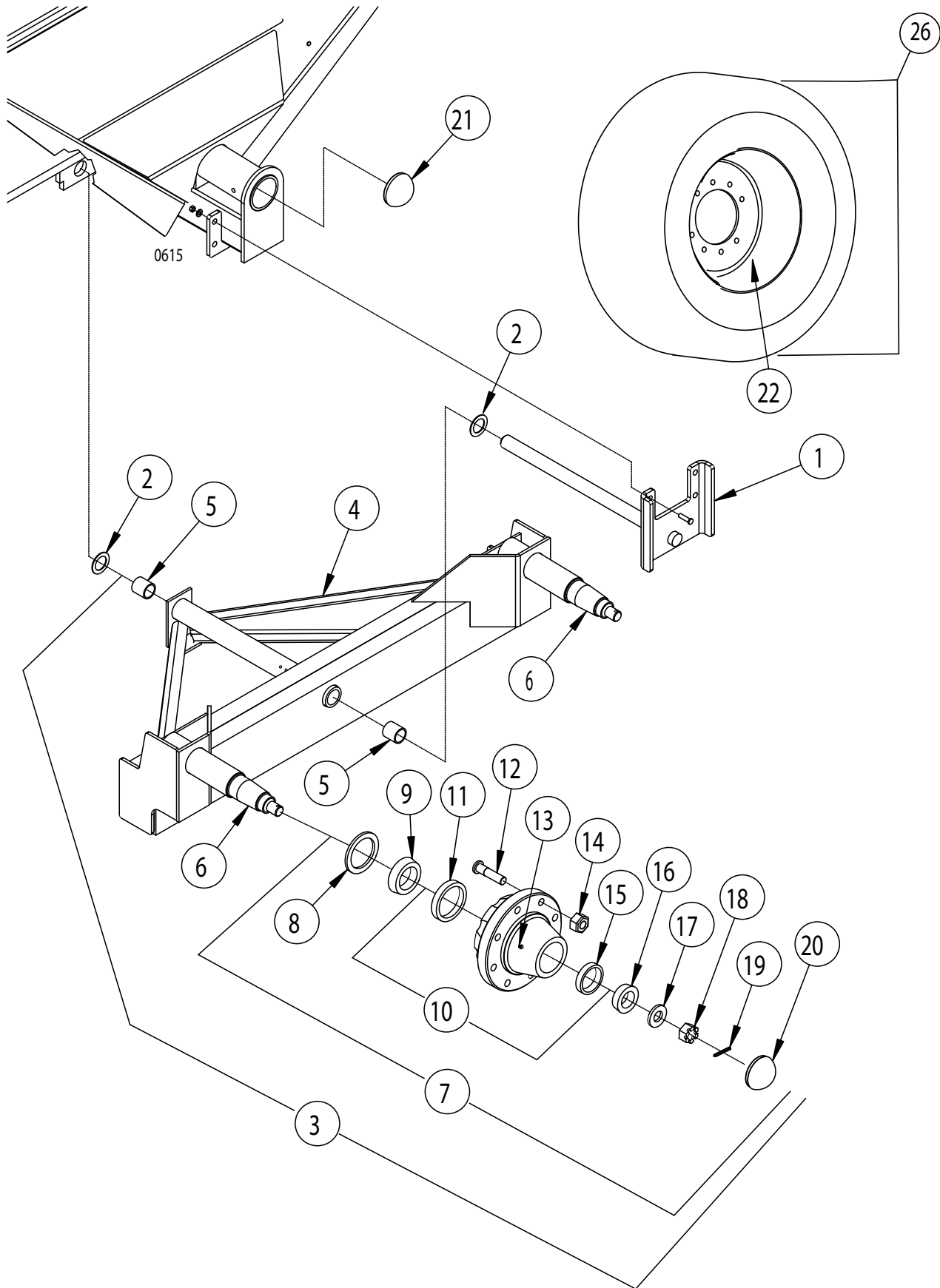
8114 Running Gear Parts (Single Axle Option)

REF	PART NO	QTY	DESCRIPTION
1	172-270	2	Spindle; Mtg Hrd: 3/8" x 4" Bolt & LN (2ea)
2	171-815	2	8-Bolt Hub Assembly
3	171-831	1	Grease Seal
4	171-828	1	Inside Bearing Cone
5	171-823	1	8-Bolt Hub
6	171-824	1	Inside Bearing Race
7	171-826	8	Wheel Stud; 5/8"
8	170-865	1	Grease Zerk; 1/8" NPT
9	171-827	8	Wheel Nut; 5/8"
10	171-825	1	Outside Bearing Race
11	171-829	1	Outside Bearing Cone
12	171-832	1	Spindle Washer
13	171-833	1	Castle Nut; 1" NF
14	170-056	1	Cotter Pin; 1/4" x 2"
15	171-830	1	Dust Cap

Wheel and Tire Combinations

19	104-815	1	Assembly, Tire and Wheel
16	171-809	2	Wheel, 16.1 x W16C
17	76072840	2	Tire, 19L x16.1 Implement
20	173-194	2	Valve Stem
16	172-285	2	Wheel, 22.50 x 8.25
17	173-373	2	Tire, 22.5 275/80R (Recap)
18	173-372	2	Tube, 275/80R x 22.5 (not shown)
16	172-229	2	Wheel, 22.5 x 11.25 - 8 Hole, .38 Pos. Offset
17	171-653	2	Tire, 22.5 385-65R (Duplex)
18	174-577	2	Tube, 15R/16.5R/18R x 22.5 (not shown)

8114 Running Gear Parts (Tandem Axle Option)



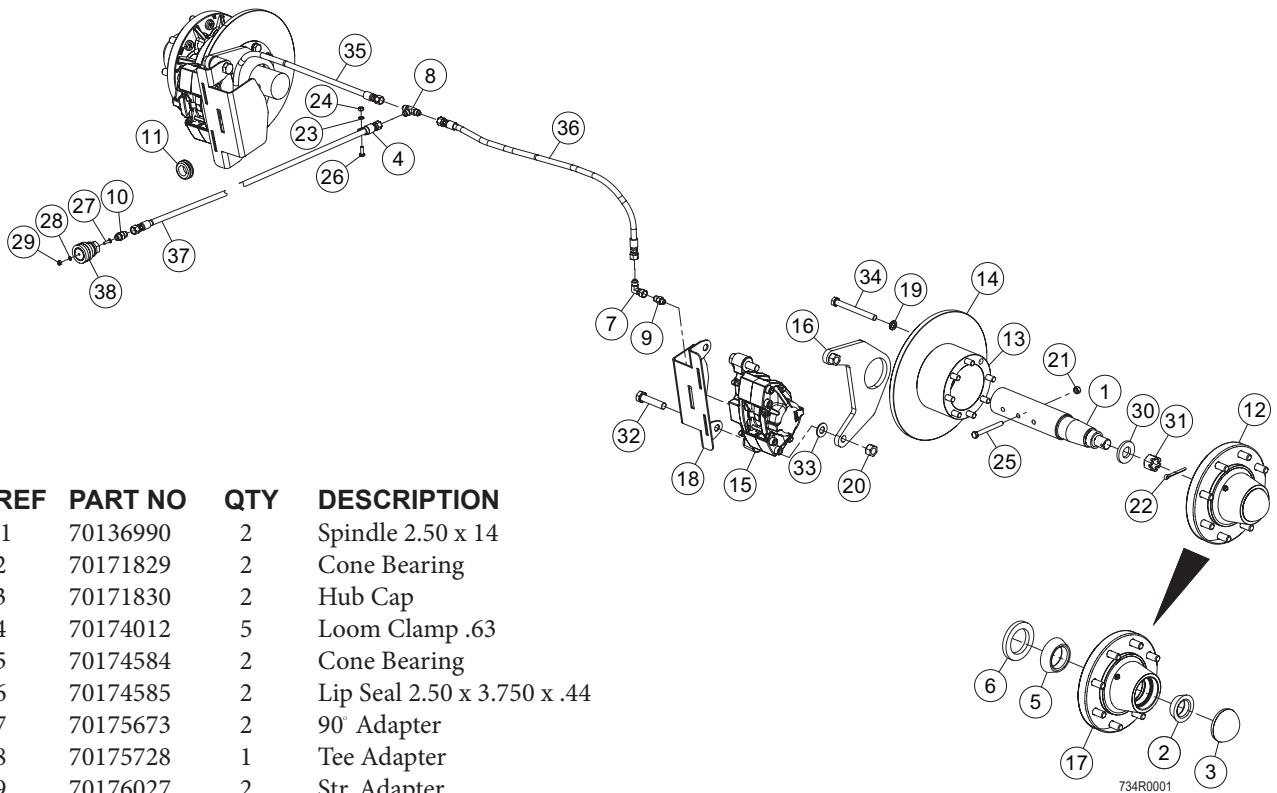
8114 Running Gear Parts (Tandem Axle Option)

REF	PART NO	QTY	DESCRIPTION
1	102-486	2	Bogie Pivot Rod; Mtg Hrd: 1/2" x 1 1/2" Bolt, LW, Nut (4ea)
2	175-318	4	Washer; 1 3/8" ID x 2 1/8" OD
3	102-565	1	LH Bogie Assembly with Hubs
4	102-563	1	LH Bogie Weldment
5	170-171	2	Bronze Bushing
6	136-989	2	Spindle
7	174-587	2	8-Bolt Hub Assembly
8	174-585	1	Grease Seal
9	174-584	1	Inner Bearing Cone
10	174-582	1	Hub Housing
11	174-583	1	Inner Bearing Cup
12	174-586	8	Wheel Stud
13	170-865	1	Grease Zerk
14	171-827	8	Wheel Nut
15	171-825	1	Outer Bearing Cup
16	171-829	1	Outer Bearing Cone
17	171-832	1	Flat Washer
18	171-833	1	Castle Nut; 1" NF
19	170-236	1	Cotter Pin; 5/32" x 1 1/2"
20	171-830	1	Hub Cap
3	102-564	1	RH Bogie Assembly with Hubs
4	102-562	1	RH Bogie Weldment
5	170-171	2	Bronze Bushing
6	136-989	2	Spindle
7	174-587	2	8-Bolt Hub Assembly
8	174-585	1	Grease Seal
9	174-584	1	Inner Bearing Cone
10	174-582	1	Hub Housing
11	174-583	1	Inner Bearing Cup
12	174-586	8	Wheel Stud
13	170-865	1	Grease Zerk
14	171-827	8	Wheel Nut
15	171-825	1	Outer Bearing Cup
16	171-829	1	Outer Bearing Cone
17	171-832	1	Flat Washer
18	171-883	1	Castle Nut; 1" NF
19	170-236	1	Cotter Pin; 5/32" x 1 1/2"
20	171-830	1	Hub Cap
21	171-850	2	Axle Plug; 3" Dia

Wheel and Tire Combinations

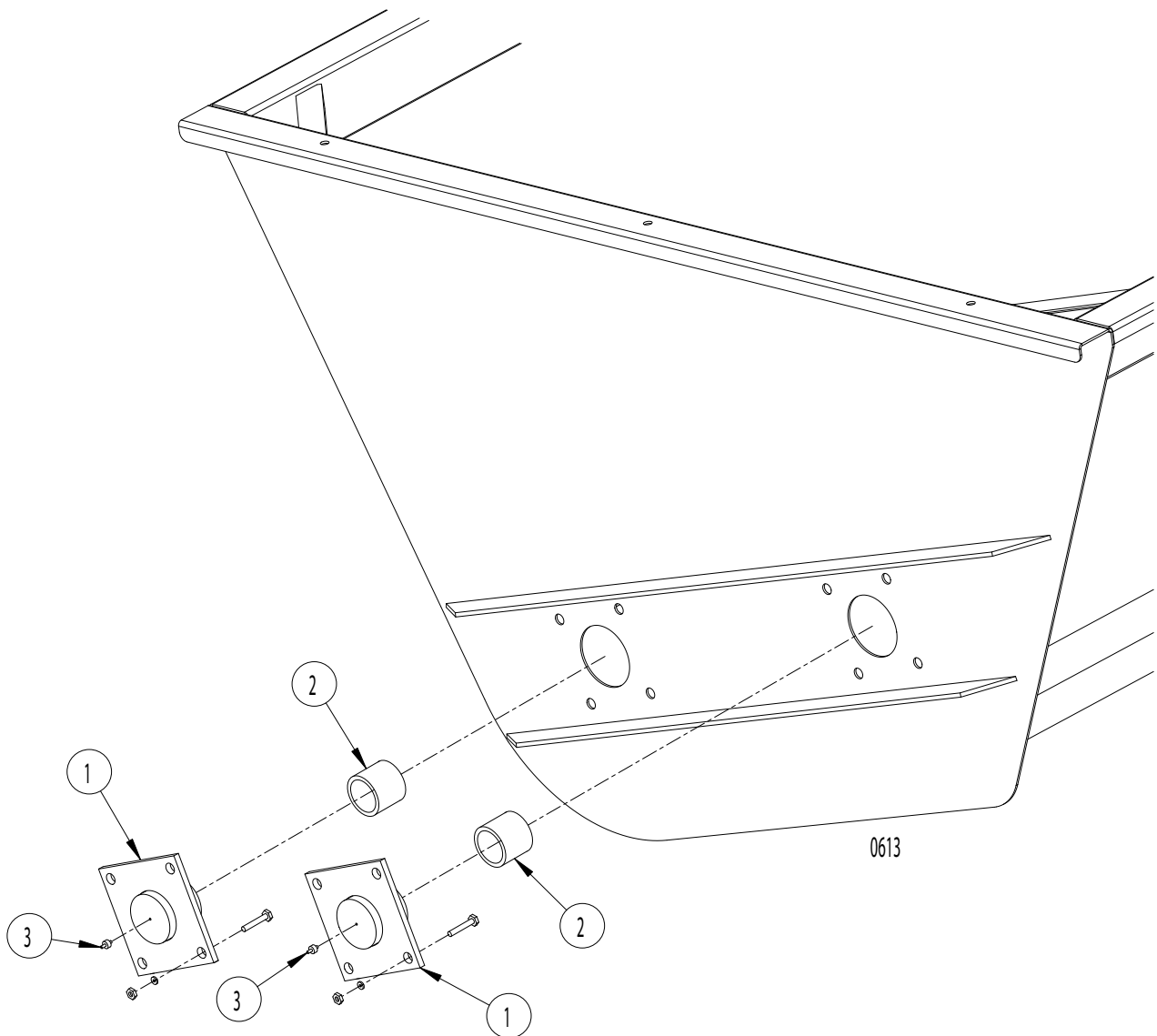
22	172-285	4	Wheel, 22.50 x 8.25 - 8 Hole, .38 Pos. Offset
23	173-373	4	Tire, 80R x 22.5 (not shown)
24	173-372	4	Tube, 275/80R x 22.5 (not shown)
26	104-814	4	Assembly, Wheel and Tire
22	174-580	4	Wheel, 16.1 x W11C - 8 Hole, .38 Pos. Offset
23	173-118	4	Tire, 14L x 16.1 Implement (not shown)
24	175-264	4	Tube, 14L x 16.1 (not shown)
25	173-194	4	Valve Stem (not shown)

8110 High Clearance Brake Option



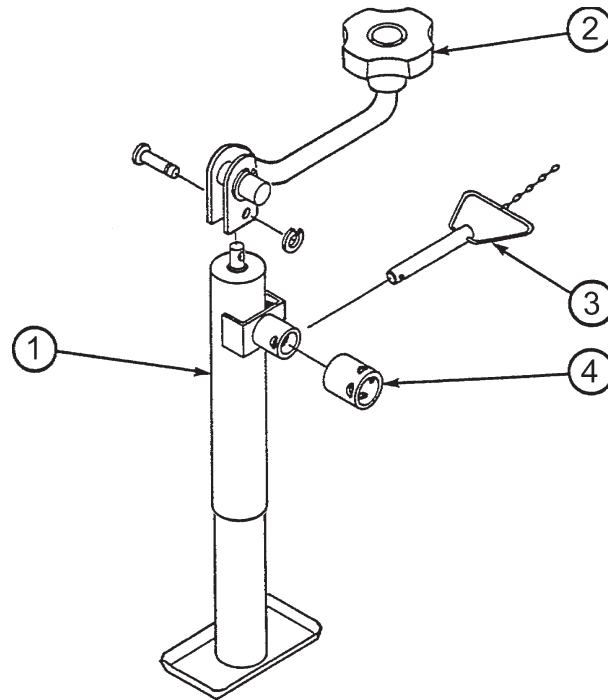
REF	PART NO	QTY	DESCRIPTION
1	70136990	2	Spindle 2.50 x 14
2	70171829	2	Cone Bearing
3	70171830	2	Hub Cap
4	70174012	5	Loom Clamp .63
5	70174584	2	Cone Bearing
6	70174585	2	Lip Seal 2.50 x 3.750 x .44
7	70175673	2	90° Adapter
8	70175728	1	Tee Adapter
9	70176027	2	Str. Adapter
10	70176339	1	Str. Adapter
11	70177812	1	Rubber Grommet 1.00 ID x .25
12	73023040	2	Hub
13	76080810	2	Rotor Adapter
14	76080990	2	Brake Rotor
15	76081000	2	Brake Fixed Caliper 2x60
16	76081010	2	Caliper Mount
17	76081030	2	Hub
18	76081750	2	Caliper Guard
19	87170003	16	Lock Washer .50
20	87170031	4	Hex Nut .63
21	87170047	2	Hex Nut .38
22	87170056	2	Cotter Pin .25 x 2.00
23	87170124	4	Lock Washer .25
24	87170125	4	Nut 1/4
25	87170292	2	Hexhead Screw .38 x 3.50
26	87170803	5	Hexhead Screw .25 x .75
27	87171604	1	Machine Screw #10 x .75
28	87171605	1	Lock Washer #10
29	87171606	1	Hex Nut #10
30	87171832	2	Spindle Washer 1.06 x 2.13
31	87171833	2	Slotted Hex Nut 1.00
32	87172356	4	Hexhead Screw .63 x 2.75
33	87177736	4	Flat Washer .63 SAE
34	87178683	16	Hexhead Screw 50-20 x 5.00
35	70176066	1	Hose .25 x 29 100R7
36	70176066	1	Hose .25 x 29 100R7
37	70176502	1	Hose .25 x 225 100R7
38	A7181002	1	Valve

Rear End Parts



REF	PART NO	QTY	DESCRIPTION
1	102-275	2	Bearing Assembly; Mtg Hrd: 5/8" x 1 1/2" Bolt, Lw, Nut (4ea)
2	135-614	1	Plastic Sleeve
3	170-865	1	Grease Zerk; 1/8" NPT

Jackstand parts



170984a

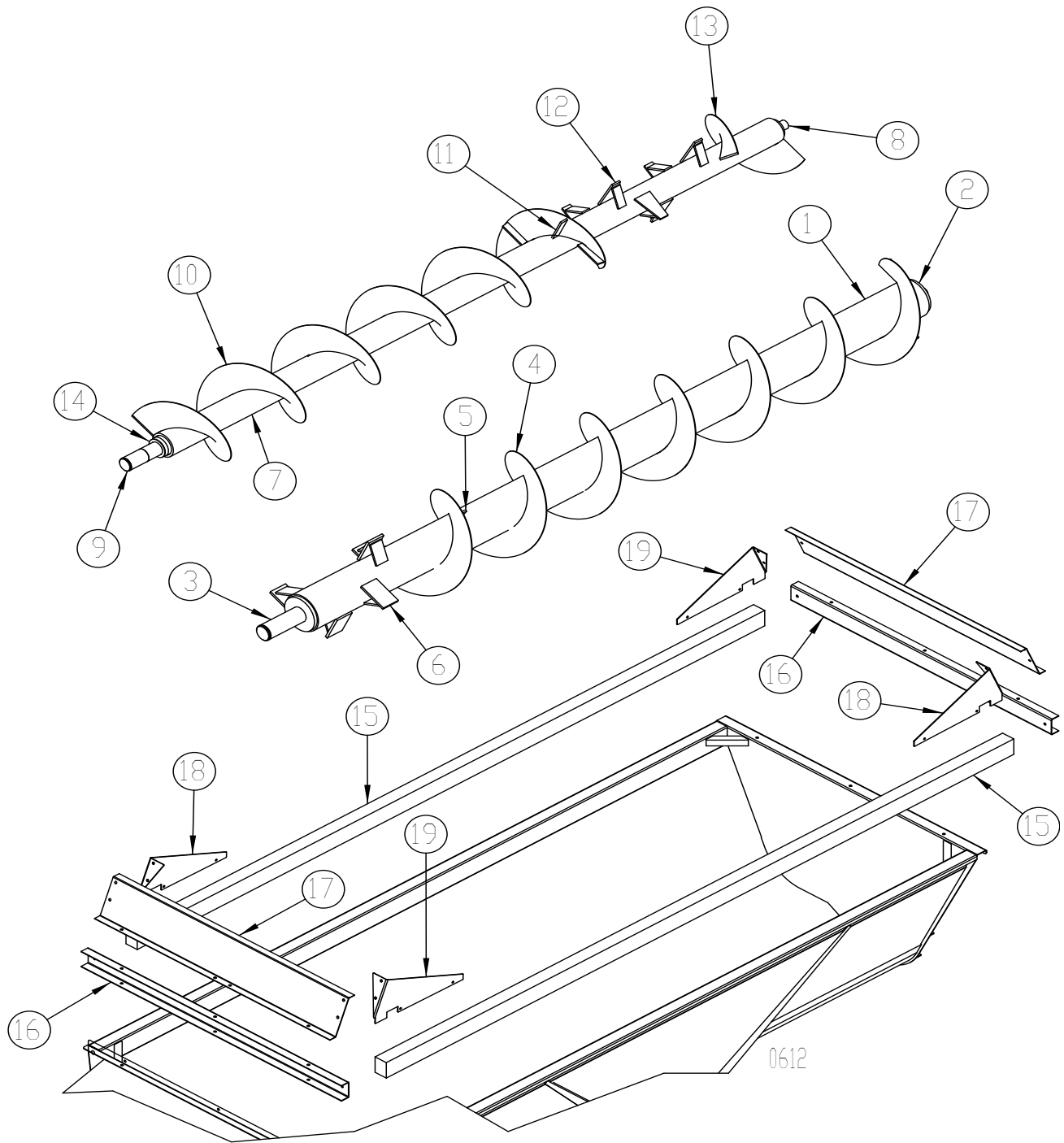
REF	PART NO	QTY	DESCRIPTION
1	170-984	1	Jackstand Assembly
2	170-386	1	Crank Assembly
3	170-987	1	Pin and Chain Assembly
4	170-985	1	Mount Tube

Safety Chain for Towed Equipment

172-195 Safety Chain for Towed Equipment

This chain is designed to retain the connection between the towing and towed machines in the event of separation of the primary attaching system. It should be used whenever the unit is transported on the highway.

Auger and Splash Guard Parts



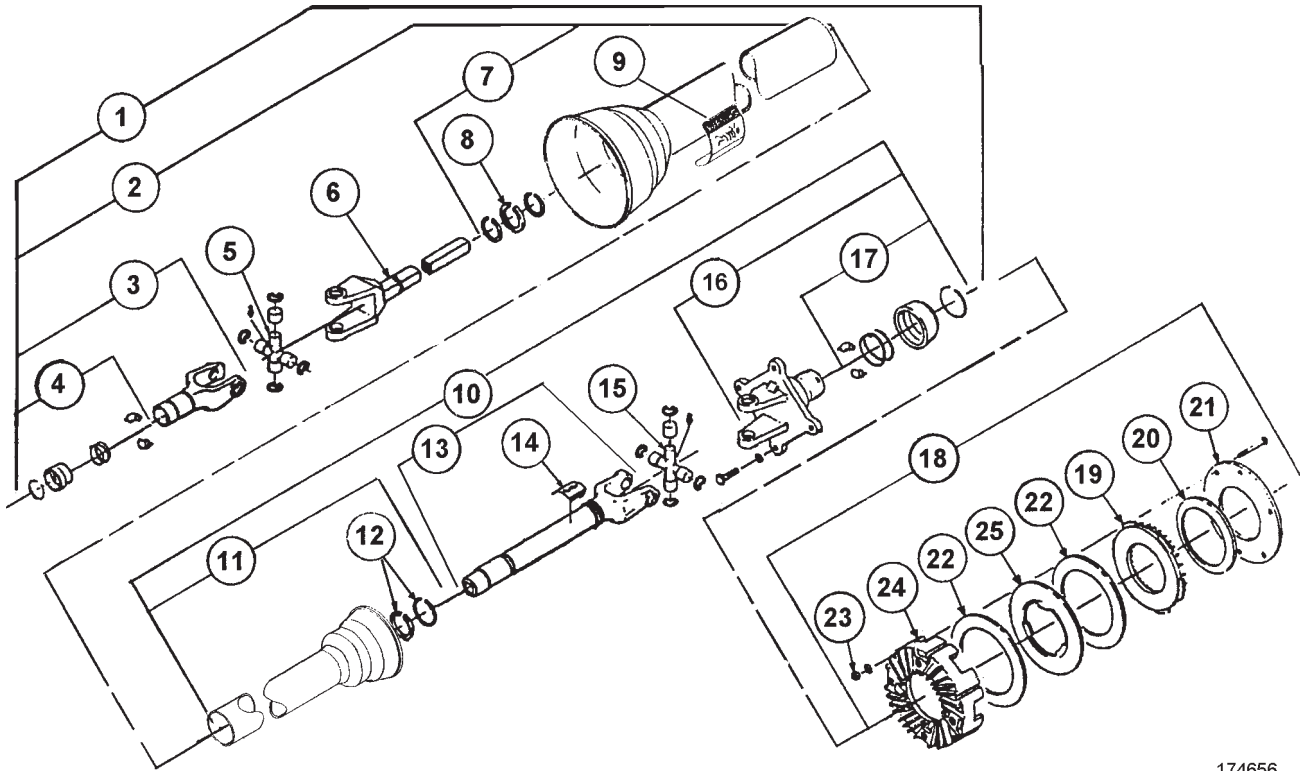
Auger and Splash Guard Parts

REF	PART NO	QTY	DESCRIPTION
1	104-153	1	Left Auger Assembly (8110)
	102-273	1	Left Auger Assembly (8114)
2	102-269	1	Rear Plug Assembly (2" Dia)
3	102-271	1	Front Plug Assembly (3 1/2" Dia)
4	135-797	2	Flighting; 3/8" x 8.65" ID x 20" OD x 20" Pitch x 70" LH helicoid
5	135-555	6	Flighting Brace, 3/8" x 1 1/2" x 5 1/2"
6	102-216	5	Paddle Assembly
7	104-154	1	Right Auger Assembly (8110)
	102-522	1	Right Auger Assembly (8114)
8	104-192	1	Rear Plug Assembly (2" Dia) (8110)
	102-523	1	Rear Plug Assembly (2" Dia) (8114)
9	104-195*	1	Front Plug Assembly (3" Dia) (8110)
	102-524*	1	Front Plug Assembly (3" Dia) (8114)
10	142-603	2	Flighting; 3/8" x 5.58" ID x 14" OD x 16" Pitch x 47" RH helicoid (8110)
	136-977	2	Flighting; 3/8" x 5.58" ID x 18" OD x 20" Pitch x 60" RH helicoid (8114)
11	142-515	8	Flighting Brace, 3/8" x 1 1/2" x 4" (8110)
	135-774	8	Flighting Brace, 3/8" x 1 1/2" x 6" (8114)
12	104-202	5	Paddle Assembly (8110)
	102-274	6	Paddle Assembly (8114)
13	142-602	1	Flighting; 3/8" x 5.58" ID x 14" OD x 16" Pitch x 16.5" LH helicoid (8110)
	136-978	1	Flighting; 3/8" x 5.58" ID x 18" OD x 20" Pitch x 16.5" LH helicoid (8114)
14	136-040*	1	Thrust Ring
15	175-345	2	Wood Side Rail: 4" x 3" x 144" Mtg Hrd: 3/8" x 4-1/2" C-Bolt, Nut (5ea) (8110)
	171-819	2	Wood Side Rail: 4" x 3" x 168" Mtg Hrd: 3/8" x 4-1/2" C-Bolt, Nut (5ea) (8114)
16	142-637	2	End Panel Extension;Mtg Hrd: 5/16" x 1 Bolt, Fw, Lw, Nut (3ea) & 3/8" x 2 1/2" Lag bolt, Fw (2ea) (8110)
	135-734	2	End Panel Extension;Mtg Hrd: 5/16"x1 Bolt, Fw, Lw, Nut (3ea) & 3/8" x 2 1/2"Lag bolt, Fw (2ea) (8114)
17	142-501	1	Splash Guard Ends; Mtg Hrd: 5/16" x 1 Bolt, FW, LW, Nut (7ea) (8110)
	135-733	1	Splash Guard Ends; Mtg Hrd: 5/16" x 1 Bolt, FW, LW, Nut (7ea) (8114)
18	133-556	1	Splash Guard; (RH FT & LH RR) Mtg Hrd: 3/8"x3-1/2" C-Bolt, Nut or ** (3/8"x7/8"),(2ea)
19	133-557	1	Splash Guard; (LH FT & RH RR) Mtg Hrd: 3/8"x3 1/2" C-Bolt, Nut or ** (3/8"x7/8") (2ea)
20	142-591	A/R	35 7/8" Right Hopper Replacement (not shown) (8110)
	141-124	A/R	41 7/8" Right Hopper Replacement (not shown) (8114)
21	141-623	A/R	35 7/8" Left Hopper Replacement (not shown) (8110)
	141-125	A/R	41 7/8" Left Hopper Replacement (not shown) (8114)
22	102-488	1	Shear shelf (not shown)

*: Thrust ring (136-040) must be ordered with front plugs

** Units without wood rails

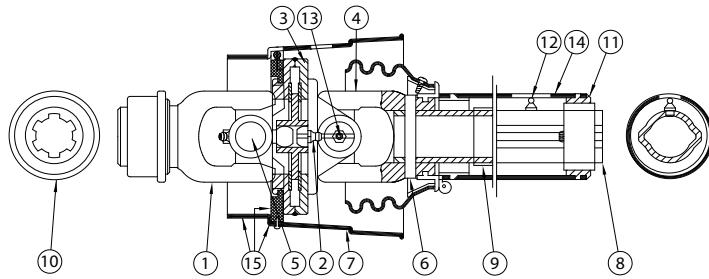
PTO Driveline and Friction Clutch (540 RPM - 6 Spline , 1-3/8" Yoke)



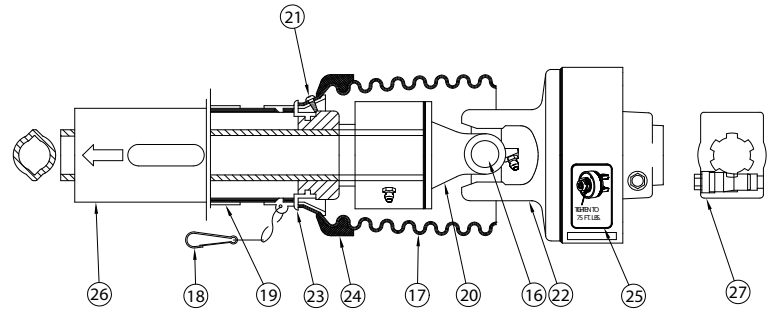
174656

REF	PART NO	QTY	DESCRIPTION
1	174-656	1	Driveline Complete (less Clutch assembly)
2	171-751	1	Joint and Shaft Half with Guard
3	172-018	1	Yoke Assembly
4	172-019	1	Safety Slide Lock Repair Kit
5	170-720	1	Cross and Bearing Kit
6	171-753	1	Yoke and Shaft
7	171-756	1	Outer Guard
8	170-220	1	Nylon Repair Kit
9	171-550	1	Safety Decal
10	174-664	1	Joint and Tube Half with Guard
11	171-755	1	Inner Guard
12	170-220	1	Nylon Repair Kit
13	171-754	1	Yoke Tube and Slip Sleeve
14	171-799	1	Safety Decal
15	170-720	1	Cross and Bearing Kit
16	174-665	1	Free Motion Clutch Hub
17	171-544	1	Safety Slide Lock Repair Kit
18	173-198	1	Friction Clutch Assembly
19	173-204	1	Pressure Plate
20	173-207	1	Spring - (color: green)
21	173-205	1	Compression Plate
22	172-860	2	Friction Disk
23	170-369	6	Assembly Hardware: 5/16" x 2-1/2" Bolt & Nut (6ea)
24	173-202	1	Clutch Housing; Mtg Hrd: 5/16" x 1" Bolt & Lock Washer
25	173-206	1	Separator Plate

PTO Driveline and Torque Disconnect Clutch (540 RPM - 6 Spline , 1-3/8" Yoke)

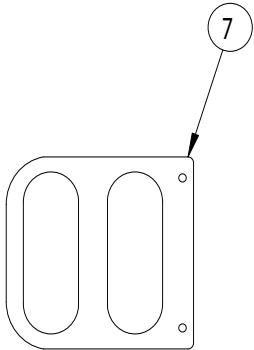
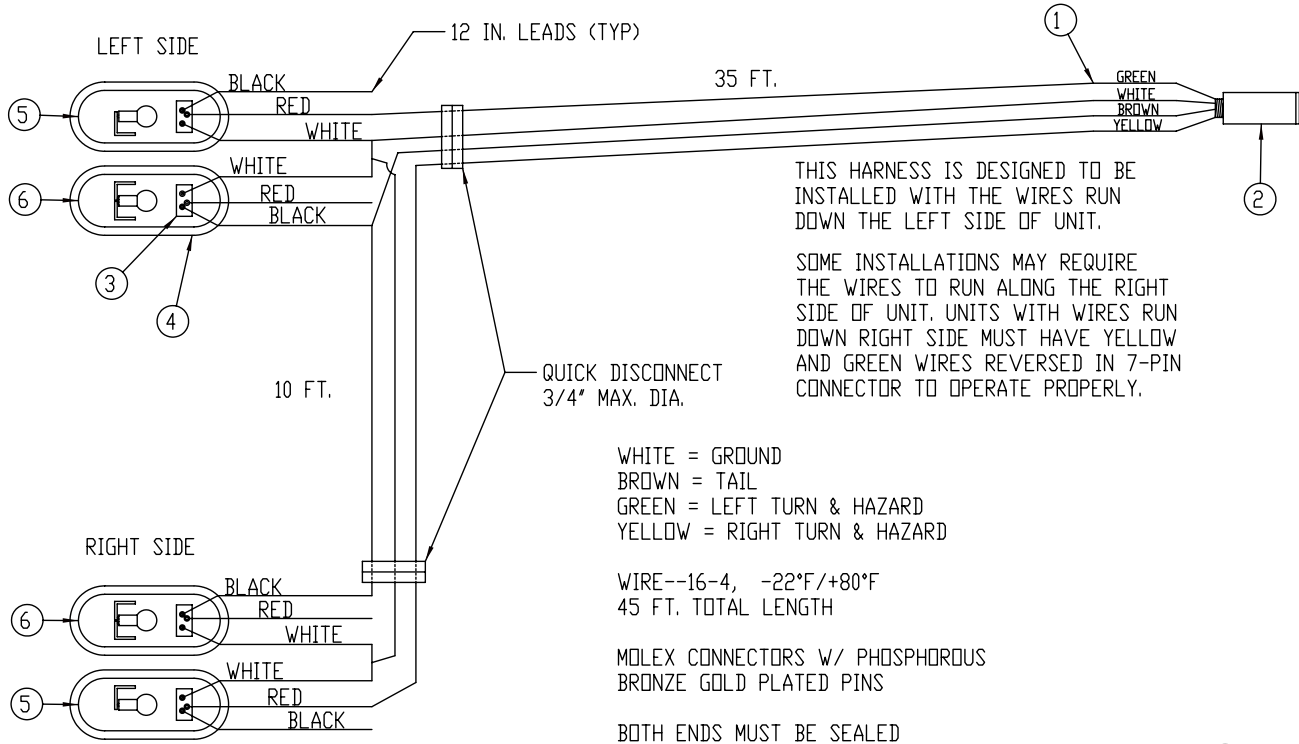


1435



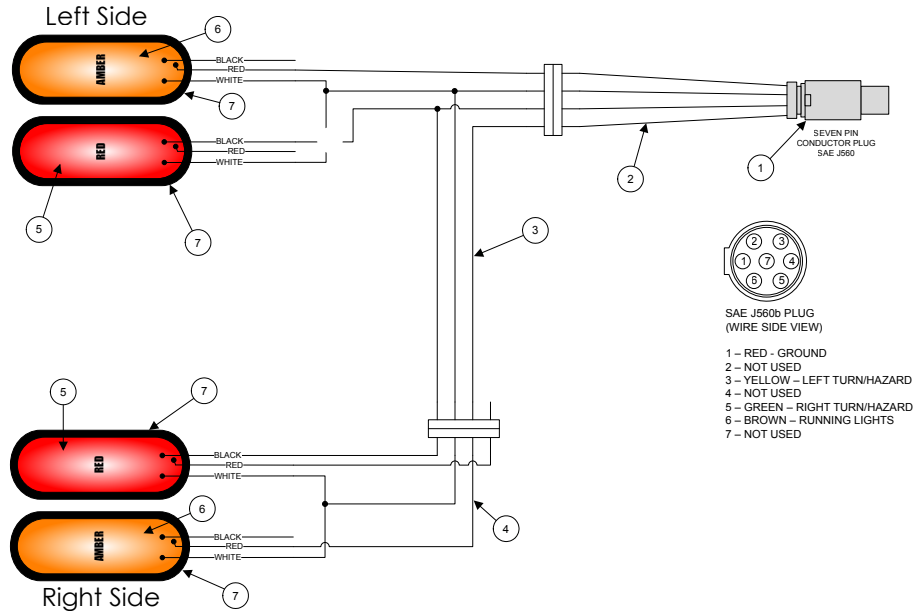
REF	PART NO	QTY	DESCRIPTION
	178-032	1	PTO Assembly
	178-034	1	PTO Half Shaft
1	178-035	1	Yoke 1-3/8" - 6 Spline
2	172-208	1	Zerk
3	178-036	1	Double Yoke
4	178-037	1	Inboard Yoke
5	178-038	1	Cross and bearing kit
6	174-205	1	Spring Pin
7	178-044	1	Guard cone
8	178-039	1	Profile and sleeve
9	171-799	1	Decal
10	175-403	1	ASGE collar kit
11	172-207	1	Support bearing
12	172-209	1	Zerk
13	178-045	1	Cross and bearing kit
14	178-046	1	Guard tube
	178-033	1	PTO Half Shaft
15	178-043	1	CV guard and bearing assembly
16	172-208	1	Cross and bearing kit
17	174-959	1	Guard cone
18	172-040	1	Restraint chain
19	171-550	1	Decal
20	178-040	1	Overrunning clutch and profile assembly
21	172-210	8	Screw
22	178-041	1	Cut-out Clutch
23	171-979	2	Bearing ring
24	176-274	1	Reinforcing collar
25	172-227	1	Decal
26	178-042	1	Guard inner tube
27	174-966	1	CC Lock Assembly

Light Kit (Ag use only), before series D0001

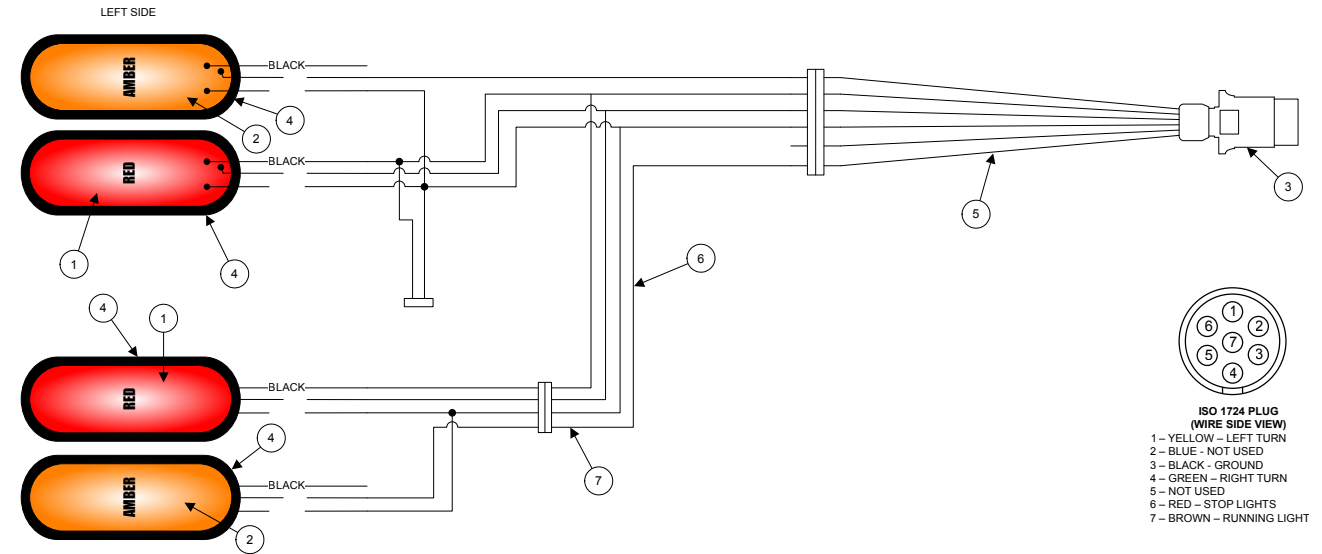


REF	PART NO	QTY	DESCRIPTION
	174-675	1	Light Kit
1	174-775	1	Wire Harness
2	172-110	1	7 Pin Connector (SAE J560B)
3	174-724	4	Light Connector (pigtail only)
4	174-725	4	Grommet
5	174-673	2	Light, Amber
6	174-674	2	Light, Red
7	141-496	2	Light Bracket

Light Kit (Ag use only), before series D0001

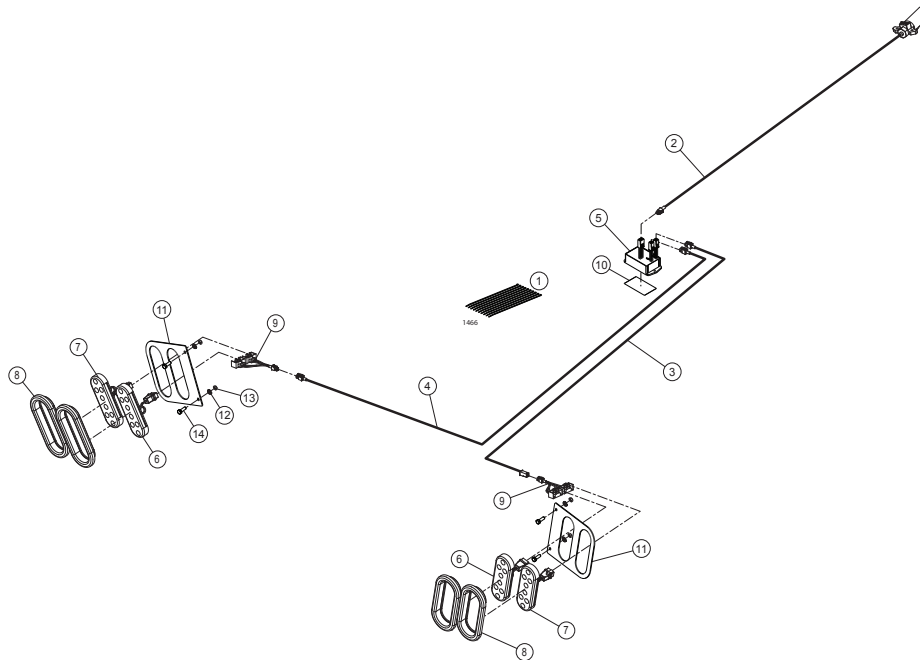


REF	PART NO	QTY	DESCRIPTION
	174-675	1	Light Kit SAE
1	172-110	1	7 Pin Connector (SAE J560B)
2	174-775	1	Main Harness
3	176-848	1	Light, LH harness
4	177-480	1	Light, RH harness
5	174-674	2	Light, Red
6	174-673	2	Light, Amber
7	174-725	4	Grommet



REF	PART NO	QTY	DESCRIPTION
	176-343	1	Light Kit ISO
1	174-674	2	Light, Red
2	174-673	2	Light, Amber
3	176-000	1	7 Pin Connector (ISO 1724)
4	174-725	4	Grommet
5	176-360	1	Light, Wire Harness
6	176-369	1	Light, LH Harness
7	176-370	1	Light, RH harness

Enhanced lighting (SAE)



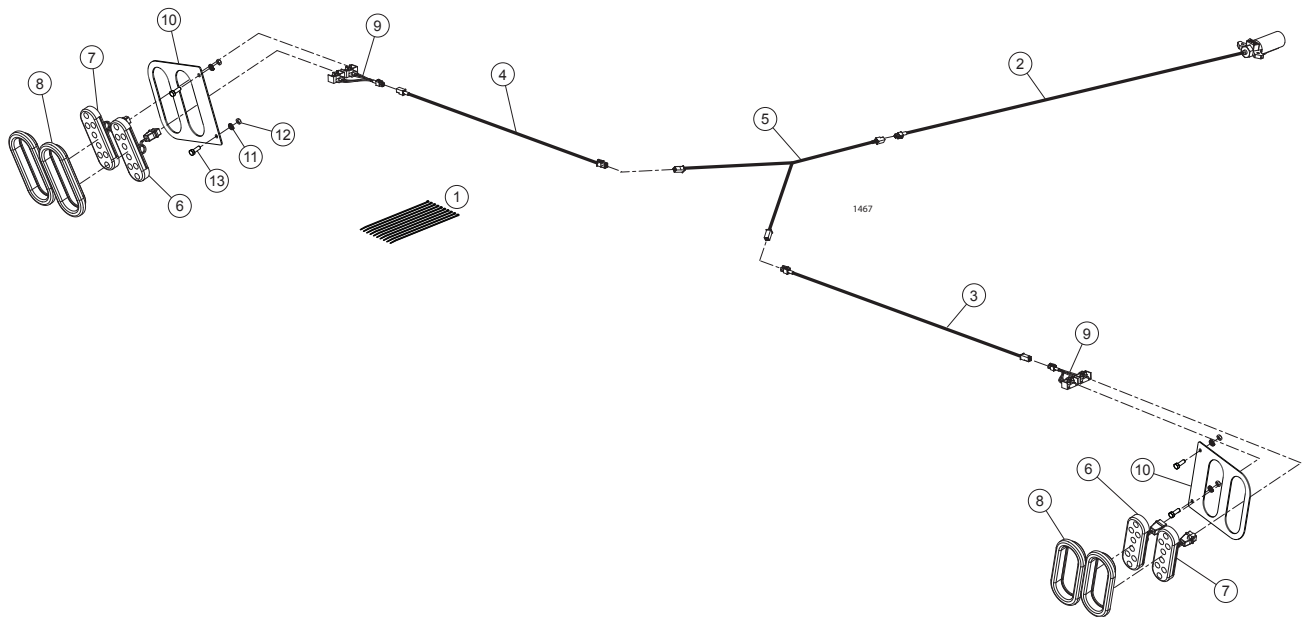
8114 Lighting series D0001

REF	PART NO	QTY	DESCRIPTION
1	70172278	10	Tie, wire, 5.75 STD black
2	70178254	1	Front harness
3	70178262	1	Right harness
4	70178263	1	Left harness
5	70178104	1	Module
6	70178245	2	Amber light
7	70178246	2	Red light
8	70174725	4	Grommet
9	70178106	2	Pigtail harness
10	76034820	1	Tape, double- sided, adhesive
11	70141496	2	Light mount
12	87170118	4	Lock washer .31
13	87170119	4	Nut hex .31
14	87170027	4	Screw hexhd .31 x 1.00

8110 Lighting series E0001

REF	PART NO	QTY	DESCRIPTION
1	70172278	10	Tie, wire, 5.75 STD black
2	70178254	1	Front harness
3	70178240	1	Right harness
4	70178263	1	Left harness
5	70178104	1	Module
6	70178245	2	Amber light
7	70178246	2	Red light
8	70174725	4	Grommet
9	70178106	2	Pigtail harness
10	76034820	1	Tape, double- sided, adhesive
11	70141496	2	Light mount
12	87170118	4	Lock washer .31
13	87170119	4	Nut hex .31
14	87170027	4	Screw hexhd .31 x 1.00

Enhanced lighting (ISO)



8114 Lighting series D0001

REF	PART NO	QTY	DESCRIPTION
1	70172278	10	Tie, wire, 5.75 STD black
2	70178239	1	Front harness
3	70178262	1	Right harness
4	70178263	1	Left harness
5	70178172	1	Y- harness
6	70178245	2	Amber light
7	70178246	2	Red light
8	70174725	4	Grommet
9	70178106	2	Pigtail harness
10	70141496	2	Light mount
11	87170118	4	Lock washer .31
12	87170119	4	Nut hex .31
13	87170027	4	Screw hexhd .31 x 1.00

8110 Lighting series E0001

REF	PART NO	QTY	DESCRIPTION
1	70172278	10	Tie, wire, 5.75 STD black
2	70178239	1	Front harness
3	70178262	1	Right harness
4	70178263	1	Left harness
5	70178172	1	Y- harness
6	70178245	2	Amber light
7	70178246	2	Red light
8	70174725	4	Grommet
9	70178106	2	Pigtail harness
10	70141496	2	Light mount
11	87170118	4	Lock washer .31
12	87170119	4	Nut hex .31
13	87170027	4	Screw hexhd .31 x 1.00

Decals

Use the operator's manual for safety decal location.

Unit Decals:

PART NO	QTY	DESCRIPTION
177-669	1	Complete Set of Decals-8110 (Current)
175-357	1	Complete Set of Decals-8110
177-670	1	Complete Set of Decals-8114 (Current)
175-322	1	Complete Set of Decals-8114
170-490	1	Engage PTO Slowly
170-849	2	Warning...Beware Of Power Driven Parts
170-893	1	Slow Moving Vehicle Sign
171-550	1	Danger...Rotating Driveline
171-712	1	Retighten Set Screws
171-799	1	Danger...Shield Missing
171-820	4	Danger... Rotating Auger
171-821	2	Danger...Material Discharges
171-913	1	Warning...Do Not Operate
171-915	1	Danger...Shield Missing
172-171	1	Caution...Read Operator's Manual
172-759	1	U.S. Patent Decal
172-820	1	Caution...Lifting Instructions
173-040	1	Caution...PTO Operation
174-686	2	Red Reflector
174-687	5	Amber Reflector
177-359	1	Kuhn Wave Logo (Left) - 8114
177-360	1	Kuhn Wave Logo (Right) - 8114
177-355	1	Kuhn Wave Logo (Left) - 8110
177-356	1	Kuhn Wave Logo (Right) - 8110
177-414	2	"8110"
177-415	2	"8114"
177-493	2	"ProTwin Slinger" with Stripe
176-251	1	Kuhn Knight 10"
176-252	1	Kuhn Knight 15"

Paint

177-247	Vermillion Red - Aerosol Can
177-246	Vermillion Red - Quart Can
177-245	Vermillion Red - Gallon Can
177-251	Sierra Gold - Aerosol Can (Used After 10/15/04)
177-250	Sierra Gold - Quart Can (Used After 10/15/04)
177-249	Sierra Gold - Gallon Can (Used After 10/15/04)
170-366	Kuhn Knight Yellow - Aerosol Can (Used Before 10/15/04)
170-812	Kuhn Knight Yellow - Quart Can (Used Before 10/15/04)
170-813	Kuhn Knight Yellow - Gallon Can (Used Before 10/15/04)

Hardware Part Number Index

All fasteners are NC thread, Grade 5 unless otherwise specified.

HEX HEAD BOLTS

Size.....	Part No	1/2 x 1-1/2 (Grade 8).....	172-951	3/4 x 6 1/2.....	176-148
1/4 x 1/2.....	173-279	1/2 x 1-3/4.....	171-774	3/4 x 7.....	173-745
1/4 x 3/4.....	170-803	1/2 x 2.....	171-802	3/4 x 7 UNF.....	173-747
1/4 x 7/8.....	171-094	1/2 x 2-1/4.....	172-387	3/4 x 7-1/2.....	175-004
1/4 x 1.....	170-310	1/2 x 2-1/2.....	170-885	3/4 x 8.....	173-509
1/4 x 1-1/2.....	170-068	1/2 x 2-1/2 (Full thread).....	171-099	7/8 x 2-1/4.....	172-892
1/4 x 2.....	172-986	1/2 x 2-3/4.....	172-007	7/8 X 2-1/2.....	175-633
1/4 x 2 (Grade 8).....	175-073	1/2 x 3.....	170-168	7/8 x 3.....	172-002
1/4 x 2-3/4.....	171-203	1/2 x 3-1/2.....	170-167	7/8 x 3-1/2.....	173-020
1/4 x 3.....	171-403	1/2 x 3-1/2 (Grade 8).....	172-950	7/8 x 4.....	173-299
1/4 x 3-1/2.....	173-640	1/2 x 4.....	173-111	7/8 x 4-1/2.....	175-953
1/4 x 4.....	173-505	1/2 x 4 (Full thread).....	171-509	7/8 x 4 UNF.....	171-092
5/16 x 5/8.....	170-532	1/2 x 4-1/2.....	175-920	7/8 x 6-1/2.....	173-774
5/16 x 3/4.....	170-262	1/2 x 4-1/2 (Grade 8).....	171-573	7/8 x 7.....	173-749
5/16 x 3/4 (Stainless steel).....	174-787	1/2 x 5.....	171-412	7/8 x 7 UNF.....	174-097
5/16 x 7/8.....	170-256	1/2 x 6.....	173-506	7/8 x 8.....	173-750
5/16 x 1.....	170-027	1/2 x 6 (Grade 8).....	174-944	7/8 x 8 UNF.....	173-515
5/16 x 1-1/4 (Full thread).....	170-188	1/2 x 6-1/2.....	173-711	1 x 3-1/2.....	173-021
5/16 x 1-1/2.....	170-372	1/2 x 7.....	174-328	1 x 4.....	175-119
5/16 x 1-3/4.....	170-263	1/2 x 7-1/2.....	175-107	1 x 4 (Grade 8).....	175-248
5/16 x 2.....	172-987	1/2 x 8-1/2.....	170-504	1 x 7 UNF.....	173-516
5/16 x 2-1/2.....	170-369	1/2 x 11.....	170-506	1 x 8.....	174-723
5/16 x 3.....	170-295	9/16 x 1.....	173-699	1 x 8 (grade 8) UNF.....	173-713
5/16 x 3-1/4.....	171-639	9/16 x 1-1/4.....	173-700	1-1/4 x 4-1/2 (grade 8).....	175-003
5/16 x 3-1/2.....	173-748	9/16 x 1-1/2.....	173-701	M8 x 16MM (Grade 8.8).....	174-610
5/16 x 4.....	170-293	9/16 x 2.....	172-219	M8 x 20MM (Grade 8.8).....	175-193
5/16 x 4-1/2.....	170-294	5/8 x 1.....	171-087	M8 x 25MM (Grade 8.8).....	174-900
5/16 x 5 (Grade 8).....	172-983	5/8 x 1-1/4.....	171-366	M10 x 22MM (Grade 8.8).....	175-016
5/16 x 5-1/2 (Grade 8).....	172-952	5/8 x 1-1/2.....	170-153	M10 x 25MM (Grade 8.8).....	173-344
3/8 x 3/4.....	170-439	5/8 x 1-3/4 (Full thread).....	170-030	M12 x 25MM (Grade 8.8).....	171-566
3/8 x 3/4 (Stainless steel).....	174-788	5/8 x 2.....	170-009	M12 x 35MM (Grade 8.8).....	175-020
3/8 x 7/8.....	170-268	5/8 x 2 (Full thread).....	171-772	M12 x 40MM (Grade 12.9).....	175-190
3/8 x 1.....	170-054	5/8 x 2-1/4.....	173-009	M12 x 45MM (Grade 10.9).....	174-911
3/8 x 1-1/4.....	170-005	5/8 x 2-1/2.....	172-381	M14 x 30MM (Grade 8.8).....	173-518
3/8 x 1-1/4 (Stainless steel).....	174-917	5/8 x 2-1/2 (Full thread).....	170-129	M16 x 40MM (Grade 8.8).....	175-631
3/8 x 1-1/2.....	170-368	5/8 x 2-3/4.....	172-356	M16 x 44MM (Grade 8.8).....	175-634
3/8 x 1-3/4.....	172-383	5/8 x 3.....	170-258	SOCKET HEAD CAP SCREW	
3/8 x 2.....	170-245	5/8 x 3-1/2.....	170-038	3/8 x 7/8.....	172-044
3/8 x 2-1/4.....	170-320	5/8 x 4.....	170-371	1/2 x 2-1/2.....	175-921
3/8 x 2-1/2.....	170-257	5/8 x 4-1/2.....	170-067	SELF TAPPING SCREW	
3/8 x 2-1/2 (Full thread).....	170-128	5/8 x 5.....	170-065	1/4 x 3/4.....	174-874
3/8 x 2-1/2 (Lag).....	171-775	5/8 x 5-1/2.....	172-421	CARRIAGE BOLTS	
3/8 x 3.....	170-380	5/8 x 6.....	170-381	1/4 x 1-1/4 (Grade 2).....	170-311
3/8 x 3-1/2.....	170-292	5/8 x 6-1/2.....	173-777	1/4 x 1-1/2 (Grade 2).....	170-355
3/8 x 4.....	170-877	5/8 x 7-1/2.....	173-019	1/4 x 2 (Grade 2).....	170-299
3/8 x 4-1/4 (Black oxide).....	171-813	5/8 x 9-1/2.....	171-039	1/4 x 2-1/2 (Grade 2).....	171-394
3/8 x 4-1/2.....	170-519	3/4 x 1-1/2.....	173-507	1/4 x 2-3/4 (Grade 2).....	170-508
3/8 x 5.....	170-493	3/4 x 2.....	171-768	1/4 x 3.....	170-509
3/8 x 5-1/2.....	174-196	3/4 x 2 (Full thread).....	170-058	5/16 x 1 (Grade 2).....	170-370
3/8 x 5-1/2 (Full thread).....	170-593	3/4 x 2 (Grade 8).....	171-877	5/16 x 1-1/2 (Grade 2).....	170-296
3/8 x 6.....	174-304	3/4 x 2-1/4.....	171-275	5/16 x 2-1/2 (Grade 2).....	171-395
3/8 x 6-1/2.....	171-291	3/4 x 2-1/2.....	170-374	5/16 x 5-1/2 (Grade 2).....	170-494
3/8 x 7.....	172-587	3/4 x 2-1/2 (Grade 8).....	175-055	3/8 x 3-1/2 (Grade 2).....	171-283
7/16 x 3/4.....	170-265	3/4 x 3.....	170-014	3/8 x 4-1/2 (Grade 2).....	170-191
7/16 x 1.....	170-032	3/4 x 3 UNF.....	173-776	3/8 x 5 (Grade 2).....	170-495
7/16 x 1-1/4.....	170-354	3/4 x 3-1/2.....	170-195	3/8 x 6-1/2 (Grade 2).....	171-174
7/16 x 1-1/4 (Grade 8).....	174-216	3/4 x 3-1/2 (Grade 8).....	171-899	3/8 x 8 (Grade 2).....	170-297
7/16 x 1-1/2.....	170-059	3/4 x 4.....	170-419	3/8 x 13 (Grade 2).....	170-298
7/16 x 2.....	170-356	3/4 x 4 (Grade 8) UNF.....	173-579	3/8 x 13-1/2 (Grade 2).....	170-300
7/16 x 2-1/2.....	170-379	3/4 x 4-1/2.....	170-846	1/2 x 1-1/2 (Grade 5).....	174-918
7/16 x 3.....	170-270	3/4 x 4-1/2 (Grade 8).....	173-039	1/2 x 6-1/2 (Grade 2).....	171-098
7/16 x 5-1/2.....	170-377	3/4 x 4-1/2 (Grade 8) UNF.....	173-588	1/2 x 9 (Grade 2).....	171-255
7/16 x 6.....	170-378	3/4 x 5.....	173-508	5/8 x 2.....	175-110
1/2 x 3/4.....	171-252	3/4 x 5 UNF.....	173-510	5/8 x 2-1/2 (Grade 5).....	174-790
1/2 x 1.....	170-149	3/4 x 5-1/2 (Grade 8) UNF.....	173-514	PLOW BOLTS	
1/2 x 1-1/4.....	170-373	3/4 x 6.....	171-116	5/8 x 2.....	174-767
1/2 x 1-1/2.....	170-002	3/4 x 6 UNF.....	173-511	3/4 x 2-1/2.....	174-948
		3/4 x 6 (Grade 8).....	173-231		

Hardware Part Number Index, Continued

TRUSS HEAD BOLTS

#6-32 x 3/4.....	172-416
#6-32 x 1.....	173-079
#8-32 x 1-1/2.....	171-210
#10-32 x 3/4.....	171-604
#10-32 x 1.....	172-882
1/4 x 3/4.....	170-193
1/4 x 1.....	170-194
5/16 x 1.....	170-117

SET SCREWS (Socket Head)(Cup Point)

1/4 x 1/4.....	170-247
1/4 x 5/8.....	172-985
5/16 x 1/4.....	170-993
5/16 x 5/16.....	170-248
5/16 x 5/16 UNF.....	170-825
5/16 x 3/8 UNF.....	173-367
5/16 x 1/2.....	170-254
5/16 x 5/8 UNF.....	170-456
5/16 x 1 (Sq hd).....	173-610
5/16 x 1-1/2.....	172-917
3/8 x 1/4.....	170-856
3/8 x 3/8.....	170-151
3/8 x 1/2.....	170-857
3/8 x 1/2 UNF.....	171-469
3/8 x 3/4.....	174-190
3/8 x 3/4 (Sq hd).....	170-290
3/8 x 1.....	170-021
3/8 x 1 (Sq hd).....	173-609
3/8 x 1 (Sq hd) (Dog pt).....	171-551
7/16 x 7/16.....	170-288
7/16 x 1 (Sq hd).....	170-147
1/2 x 5/8.....	170-249
1/2 x 1.....	170-438
1/2 x 1-1/4 (half dog point).....	171-085
5/8 x 5/8.....	170-250
3/4 x 3/4 (Sq hd) (Dog pt).....	170-251

HEX NUTS

#6-32.....	172-418
#10-32.....	171-606
1/4.....	170-125
5/16.....	170-119
3/8.....	170-007
7/16.....	170-062
7/16 (Grade 8) UNF.....	174-217
1/2.....	170-004
9/16.....	173-702
5/8.....	170-011
3/4.....	170-017
3/4 UNF.....	170-159
3/4 (Grade 8) UNF.....	173-520
7/8.....	171-776
1.....	173-022
1 UNF.....	173-714
1 (Grade 8).....	175-247
1 (Grade 8) UNF.....	173-519
1-1/8 UNF.....	174-095
1-1/4 UNF.....	170-130
1-1/4 (Grade 8).....	175-006
M8 x 1.25MM.....	172-949
M30 x 1.5MM.....	174-902
M50 x 1.5MM.....	175-200

LOCK NUTS

#6-32.....	174-188
#10-32.....	174-073
1/4.....	170-069
5/16.....	170-137
3/8.....	170-047

7/16.....	170-239
1/2.....	170-042
1/2 UNF.....	170-566
1/2 (Grade 8).....	171-671
9/16.....	172-220
5/8.....	170-031
3/4.....	170-185
3/4 (Grade 8).....	171-900
3/4 (Grade 8) UNF.....	173-578
7/8.....	173-069
7/8 UNF.....	171-093
1.....	174-928
1 UNF.....	170-527
M45 x 1.5MM.....	175-199
M50 x 1.5MM.....	175-197

JAM NUTS

1/4UNF.....	171-386
5/16.....	173-521
3/8.....	170-022
7/16.....	170-046
1/2.....	170-036
1/2 Lock.....	174-063
5/8.....	170-037
3/4.....	170-035
1.....	174-927

FLAT WASHERS

#10.....	171-525
1/4.....	170-301
1/4 Heavy.....	171-083
1/4 Fender.....	173-672
5/16.....	170-127
5/16 Fender.....	173-811
3/8.....	170-244
3/8 Heavy.....	170-302
3/8 Aluminum.....	173-900
7/16.....	170-138
1/2.....	170-040
1/2 (Grade 8).....	172-984
9/16.....	173-693
5/8.....	170-066
5/8 (Grade 8).....	173-581
3/4.....	170-015
7/8.....	173-298
7/8 Heavy.....	170-131
1.....	170-122
1-1/4.....	170-928

LOCK WASHERS

#6.....	172-417
#10.....	171-605
1/4.....	170-124
5/16.....	170-118
3/8.....	170-006
7/16.....	170-061
1/2.....	170-003
9/16.....	173-692
5/8.....	170-010
3/4.....	170-016
3/4 External Tooth.....	174-793
7/8.....	172-003
1.....	171-021
1-1/4.....	175-005

ZERKS

1/8 NPT.....	170-865
1/8 NPT-45 Deg.....	170-864

1/8 NPT-65 Deg.....	170-215
1/8 NPT-90 Deg.....	170-866
3/16 drive in.....	174-124
1/4-28.....	170-023
1/4-28 - 45 Deg.....	170-148
1/4-28 - 90 Deg.....	170-049
1/4 NPT.....	170-277
1/4 NPT - 45 Deg.....	174-130

COTTER PINS

1/16 x 1/2.....	170-992
3/32 x 3/4.....	170-364
1/8 x 1.....	170-045
1/8 x 1-1/4.....	170-033
1/8 x 1-1/2.....	170-382
5/32 x 1.....	170-421
5/32 x 1-1/2.....	170-236
5/32 x 3.....	170-135
3/16 x 1-1/4.....	170-991
3/16 x 2.....	170-115
1/4 x 1-1/2.....	170-521
1/4 x 2.....	170-056
1/4 x 2-1/2.....	173-961

ROLLER CHAIN

CONNECTOR LINKS

#50.....	170-088
#50-2R.....	170-094
#60.....	170-089
#60-2R.....	170-095
#60H.....	171-102
#80.....	170-090
#80H.....	170-821
#80-2R.....	176-134
#100.....	170-091
#100H.....	171-969
#120.....	170-092
#140.....	170-093
#140H.....	173-552
#160.....	170-888

OFFSET LINKS

#50.....	170-096
#50-2R.....	170-102
#60.....	170-097
#60-2R.....	170-103
#60H.....	171-103
#80.....	170-098
#80H.....	170-820
#80-2R.....	176-135
#100.....	170-099
#100H.....	172-145
#120.....	170-100
#140.....	170-101
#140H.....	173-553
#160.....	170-887

ROLLER LINKS

#50.....	171-415
#60.....	171-416
#80.....	171-417
#80H.....	170-795
#100.....	171-418
#100H.....	172-146
#120.....	171-419
#140.....	171-420
#160.....	171-421

Part Number Index

101-583...11,13	133-637...11,13	170-008...7,11,13	171-712...32	172-860...26
101-633...11,13	134-155...9	170-023...9	171-751...26	172-862...11
101-659...7	134-461...7	170-031...11,13	171-753...26	172-866...11,13
101-761...9	134-670...7	170-037...11,13	171-754...26	172-873...7
101-818...9	134-785...11,13	170-042...13	171-755...26	172-874...7
101-911...9	134-902...11,13	170-047...11,13	171-756...26	172-894...7
102-006...11,13	135-555...25	170-056...17,19	171-774...13	172-995...9
102-216...25	135-597...7	170-066...13	171-780...17	172-996...9
102-269...25	135-598...7	170-073...11,13	171-799...26,27,32	172-997...9
102-271...25	135-614...22	170-074...11,13	171-801...9	173-040...32
102-273...25	135-724...7	170-115...11,13	171-809...19	173-118...17,21
102-274...25	135-725...7	170-118...14,15	171-810...19	173-194...17,19
102-275...22	135-733...25	170-119...15	171-815...19	173-198...26
102-276...7	135-734...25	170-122...11,13	171-819...25	173-202...26
102-277...7	135-749...7	170-127...14	171-820...32	173-204...26
102-278...9	135-774...25	170-137...7	171-821...32	173-205...26
102-281...7	135-779...7	170-151...11	171-823...19	173-206...26
102-486...21	135-783...7	170-171...21	171-824...19	173-207...26
102-488...25	135-788...7	170-188...14	171-825...17,19,21	173-270...13
102-522...25	135-789...7	170-220...26	171-826...19	173-271...13
102-523...25	135-790...7	170-235...13	171-827...17,19,21	173-274...11,13
102-524...25	135-797...25	170-236...21	171-828...19	173-275...13
102-562...21	135-798...11,13	170-244...11,13	171-829...17,19,21	173-372...17,19,21
102-563...21	135-831...7	170-302...11,13	171-830...17,19,21	173-373...17,19,21
102-564...21	136-002...7	170-366...32	171-831...19	173-493...13
102-565...21	136-040...25	170-368...11,13	171-832...17,19,21	174-205...27
103-621...11,13	136-285...7	170-369...26	171-833...17,19,21	174-577...17,19
103-623...13	136-286...7	170-370...15	171-850...21	174-580...17,21
104-153...25	136-496...11,13	170-386...23	171-883...21	174-581...17
104-154...25	136-977...25	170-490...32	171-913...32	174-582...17,21
104-161...7	136-978...25	170-499...7	171-915...32	174-583...17,21
104-178...13	136-989...21	170-720...26	171-934...7	174-584...17,21
104-192...25	136-990...17	170-800...9	171-979...27	174-585...17,21
104-195...25	140-426...7	170-812...32	172-005...9	174-586...17,21
104-202...25	141-124...25	170-813...32	172-006...9	174-587...17,21
104-304...13	141-125...25	170-835...11,13	172-018...26	174-656...26
104-380...11,13	141-496...28	170-845...9	172-019...26	174-664...26
104-552...11	141-623...25	170-849...32	172-040...27	174-665...26
104-814...21	142-003...11,13	170-865...7,17,19,21,22	172-110...28,29	174-673...28,29
104-815...19	142-081...11,13	170-893...32	172-171...32	174-674...28,29
105-476...7	142-501...25	170-984...23	172-195...23	174-675...28,29
105-775...17	142-515...25	170-985...23	172-207...27	174-686...32
105-776...17	142-573...13	170-987...23	172-208...27	174-687...32
105-778...7	142-579...7	171-021...7	172-209...27	174-724...28
105-779...11	142-591...25	171-030...13	172-210...27	174-725...28,29
130-128...7	142-602...25	171-045...9	172-227...27	174-775...28,29
132-678...7	142-603...25	171-068...13	172-229...17,19	174-928...13
133-288...11,13	142-637...25	171-146...7	172-270...19	174-959...27
133-316...7	144-633...14	171-309...13	172-285...17,19,21	174-966...27
133-445...11,13	148-017...15	171-544...26	172-367...7	175-035...11,13
133-539...7	148-151...7	171-550...26,27,32	172-421...11,13	175-247...7
133-556...25	148-153...11	171-585...7	172-422...11,13	175-264...17,21
133-557...25	148-160...11	171-586...11,13	172-759...32	175-299...13
133-603...11,13	148-291...14	171-607...7	172-772...7,11,13	175-317...7
133-604...11,13	148-292...14	171-653...17,19	172-820...32	175-318...7,21
133-633...11,13	170-002...13	171-696...11,13	172-831...9	175-345...25

175-384...13	70178106...30,31
175-385...13	70178245...30,31
175-403...27	70178246...30,31
175-493...32	70178254...30,31
175-536...13	70178262...30,31
175-673...11	70178263...30,31
175-675...11	76034820...30
175-686...11	87170027...30,31
175-687...11	87170118...30,31
175-689...11	87170119...30,31
175-691...11	87175981...14
175-925...11	A7021001...15
176-141...11	A7021003...15
176-274...27	
176-343...29	
176-360...29	
176-369...29	
176-370...29	
176-508...11	
176-586...7	
176-848...29	
177-245...32	
177-246...32	
177-247...32	
177-249...32	
177-250...32	
177-251...32	
177-355...32	
177-356...32	
177-359...32	
177-360...32	
177-414...32	
177-415...32	
177-480...29	
177-669...32	
177-679...32	
178-025...17	
178-026...17	
178-032...27	
178-033...27	
178-034...27	
178-035...27	
178-036...27	
178-037...27	
178-038...27	
178-039...27	
178-040...27	
178-041...27	
178-042...27	
178-043...27	
178-044...27	
178-045...27	
178-046...27	
70141496...30,31	
70172278...30,31	
70174725...30,31	
70178104...30,31	

