



# *ProTwin Slinger*

## *8118/8124*

### *Trailer Type Parts Manual*

#### Table of Contents

Abbreviations .....	2
Using this Parts Listing .....	3
Front End Parts .....	4
Front Drive Parts .....	6
Discharge Parts - A and B Model Serial Number Units .....	10
Discharge Parts - C Model Serial Number Units .....	12
Running Gear Parts (8118) .....	14
Running Gear Parts (8124) .....	16
Rear Drive Parts .....	18
Rear Drive Parts (Serial Numbers D0001 and After) .....	20
Rear Drive Parts (Serial Numbers D0001 and After) .....	21
Auger and Splash Guard Parts .....	22
Lid Parts - C Model Units .....	24
Lid Parts - A and B Model Units .....	26
CV Driveline and Torque Disconnect (540 RPM - 6 Spline - 1-3/8" Yoke) .....	28
CV Driveline and Torque Disconnect (1000 RPM - 21 Spline - 1-3/8" Yoke) .....	29
CV Driveline and Torque Disconnect (1000 RPM - 20 Spline - 1-3/4" Yoke) .....	30
Driveline and Torque Disconnect non-cv (540 RPM - 6 Spline - 1-3/8" Yoke) .....	31
Driveline and Torque Disconnect non-cv (1000 RPM - 21 Spline - 1-3/8" Yoke) .....	32
Light Kit .....	34
Decal and Paint List .....	35
Hardware Part Number List .....	36
Part Number Index .....	38

Catalog Part Number 006019      Unit Serial Number \_\_\_\_\_

Operator's Instruction Manual for this unit: 006016

## Abbreviations

Assy	Assembly
A/R	As Required
B	Bolt
Brg	Bearing
BSN	Before Serial Number
Btm	Bottom
C-Bolt	Carriage Bolt
Cttr	Cotter
CV	Constant Velocity
Deg	Degree
Dia	Diameter
ea	Each
eq or Equiv	Equivalent
Fln	Flanged Lock Nut
Fw	Flat Washer
Ga	Gauge
Gr or Grd	Grade
Hd	Head
Hfw	Heavy Flat Washer
Hyd	Hydraulic
ID	Inside Diameter
Ill or Illus	Illustration
Ind	Indicator
Jn	Jam Nut
Kw	Keyway
LH	Left Hand
Ln	Lock Nut
Lw	Lock Washer
Mtg Hrd	Mounting Hardware
NC	National Coarse
NF	National Fine
NPT	National Pipe Thread
OD	Outside Diameter
Pc(s)	Piece(s)
PD	Pitch Diameter
PTO	Power Takeoff (shaft)
Qty	Quantity
RH	Right Hand
SN	Serial Number
SHCS	Socket Head Cap Screw
Spk, or Spkt or Sprkt	Sprocket
Sq	Square
SS	Stainless Steel
SSB	Stainless Steel Bolt
St	Straight
Std	Standard
STS	Self Tapping Screw
UASN	Used After Serial Number
UBSN	Used Before Serial Number
W	With
W/O	With Out

## Using this Parts Listing

This listing uses a number indentation system to specify the parts of an assembly. Any number which is indented to the right, indicates that it is a component of the item to the upper left. Example:

<u>Part no</u>	<u>Qty</u>	<u>Description</u>
102-AAA	#	Assembly A
102-BBB	#	Sub-Assembly B
(Component of A)		
140-xxx	#	Sub-Component of B
140-xxx	#	Sub-Component of B
102-CCC	#	Sub-Assembly C
(Component of A)		
etc.		

Using this system, the subassemblies and their components are included if an **Assembly** is ordered. Similarly, the components of a subassemblies are included if a subassembly is ordered.

The quantity (Qty) associated with an assembly, represents the number of times an assembly could be shown in the drawing. The subassembly quantity however, is the number of times a subassembly is used to build one assembly. Similarly, the component quantity refers to the number of times a given component is found in one subassembly.

MODEL AND SERIAL NUMBER INFORMATION is located near the front left hand corner (Fig. A). The model number, serial number and part number should be known when asking service personnel for parts.

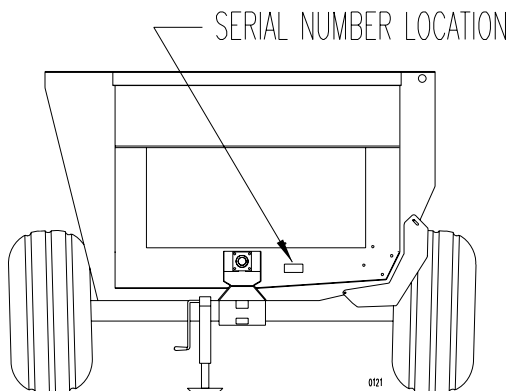


Fig. A

The serial number may consist of a number, or a number with a letter prefix. When referring to serial number breaks in the text of this manual, a serial number with a prefix will have been manufactured after a serial number without a prefix (A001 made after 0123). Likewise, a higher prefix letter would indicate manufacture after a lower prefix letter (B001 made after A123). Therefore, if the text refers to units manufactured after serial number B123, this would include "B" series numbers greater than 123, and all numbers with a higher letter prefix.

If you cannot find the part you need, be as descriptive as possible when placing an order:

**Sprockets:** give the bore size, number of teeth, and size of keyway.

**Roller chain:** give the size of chain (stamped on the side of each link) and number of links.

**Shafting:** give the diameter, length, and quantity and size of keyways.

Hardware is generally not included with parts. If you need any hardware, check the size, the length, and the grade (Fig. B), then check the hardware list in this manual for the part numbers.

**All hex head bolts are grade 5, and nuts are grade 5 unless otherwise stated.**

The hardware listing also includes zerks, cotter pins, set screws, and roller chain links.

**The illustrations in this manual are meant to be used only as a guide for identifying parts and locating their relative positions.**

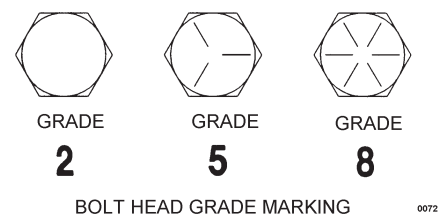
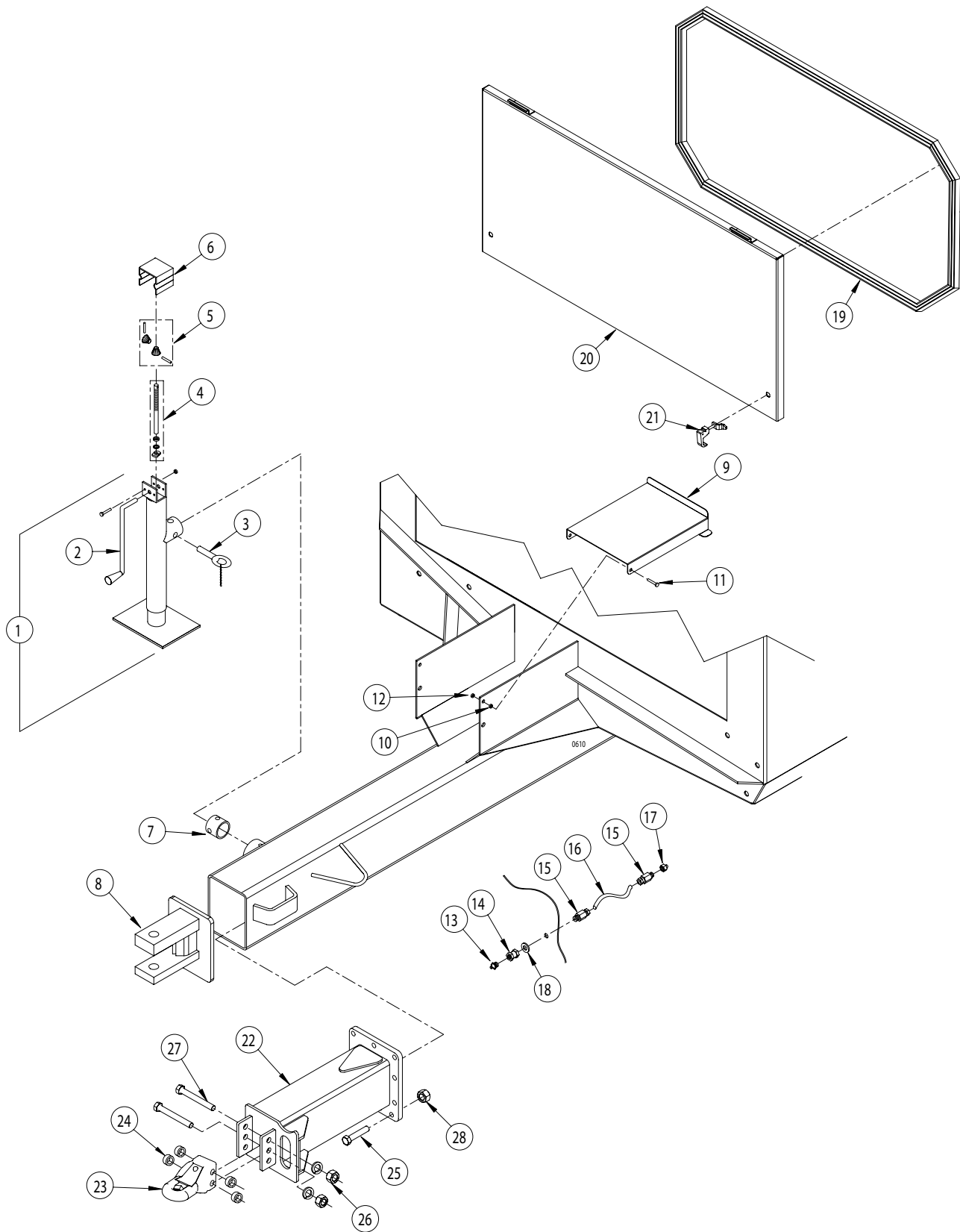


Fig. B

### Front End Parts



## Front End Parts

REF	PART NO	QTY	DESCRIPTION
1	171-610	1	<b>Jack, sidewind 7000 lb</b>
2	171-612	1	Crank Assembly
3	171-613	1	Pull Pin (Includes Chain)
4	171-611	1	Kit, Repair, 7000# Jack
5	171-614	1	Jack, Bevel Gears + Pins Assy
6	171-814	1	Jack, Gearbox Cover
7	171-615	1	Mount Tube
8	101-598	1	<b>Clevis Assy 8118 only</b> (weld on)
	101-637	1	<b>Clevis Assy 8124 only</b> (weld on)
9	142-064	1	<b>Shield; PTO Cover</b>
10	171-393	2	Washer, Belleville 3/8"
11	170-262	2	5/16" x 3/4" Bolt
12	170-028	2	Nut, Flange Lock 5/16"
13	170-865	1*	Grease Zerk 1/8" NPT
14	172-024	1*	Coupling
15	172-822	2*	Compression Fitting
16	180-630**		Grease Line Tubing
		21"	Required for rear upper counter shaft bearing
		9"	Required for rear lower counter shaft bearing
		25"	Required for left front auger bearing
		19 "	Required for right front auger bearing
		12"	Required for front upper counter shaft bearing
		19"	Required for front lower counter shaft bearing
		37"	Required for inner input shaft bearing
		19"	Required for front hammer shaft bearing
17	172-823***	1*	Adapter Fitting
18	170-244	1*	Flat Washer 3/8"
19	176-935B	10'***	Push on Seal
	171-935	10'***	Gasket; Foam Seal
20	104-179B	1	Shield; Front Oil Enclosure
	104-038	1	Shield; Front Oil Enclosure
21	173-027	2	Lift and Turn latch
22	105-207	1	WC, Detachable Tongue (8118)
	105-208	1	WC, Detachable Tongue (8124)
23	175-221	1	Clevis, Pintle
24	145-477	4	Tube, RD, 1 1/2" x 1/4" x 3/4"
25	170-374	8	Screw, Hex Hd, 3/4"x 2 1/2" Nc, GRD 5 (220 to 230 ft-lbs)
26	176-586	2	Screw, Hex Hd, 1"x 8" Nc, GRD 8 (700 ft-lbs)
27	175-247	2	Nut, Hex, 1", Nc, GRD 8
28	170-185	8	Nut, Hex, 3/4", Nc, GRD 5, Lock

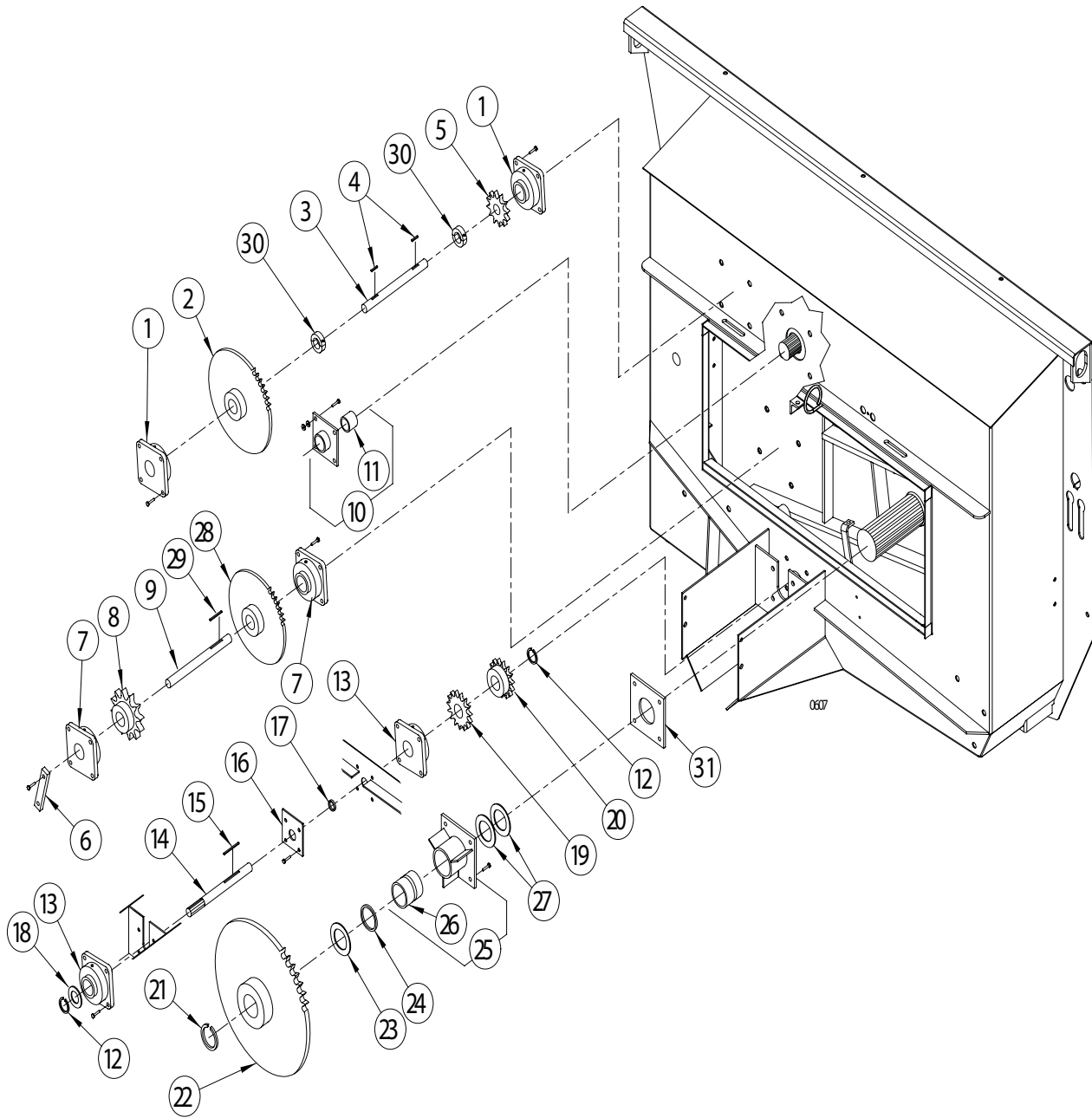
\* Quantity required to complete 1 grease line assy

\*\* Sold by the linear foot.

\*\*\* Not required on all installations.

B Used on Serial Number B0001 and After.

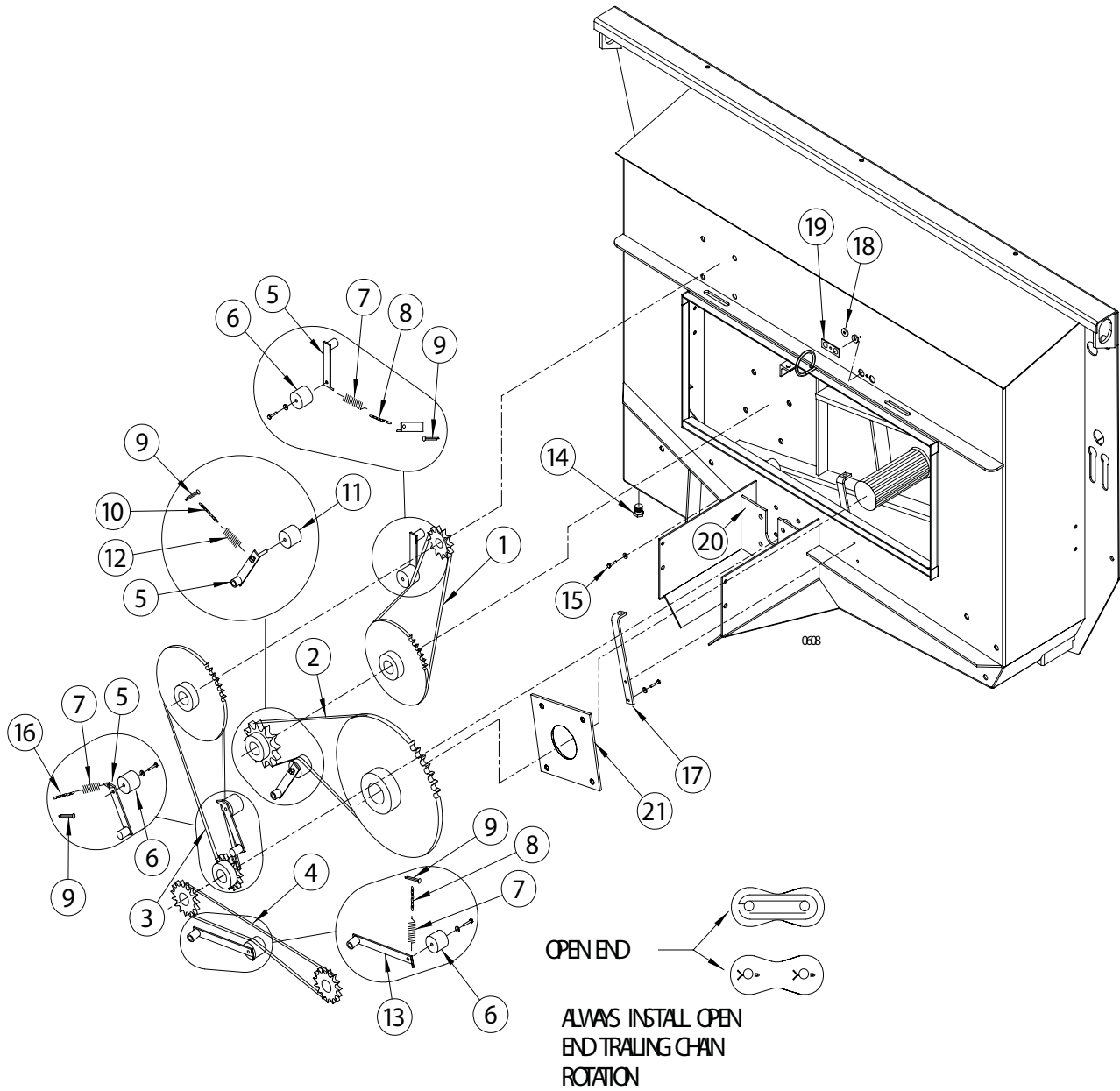
### Front Drive Parts



## Front Drive Parts

REF	PART NO	QTY	DESCRIPTION
1	170-008	2	Bearing, 2" Roller; Mtg Hrd: 5/8" x 1-3/4" Bolt, LW, Nut (4 ea)
2	133-476	1	Sprocket; 60-B-55 x 2" Bore, Inc. 170-249 set screw
3	134-842	1	Counter Shaft; 2" x 12 1/2"
4	170-835	2	Key; 1/2" Sq. x 1-1/2"
5	135-551	1	Sprocket; 80-B-15 x 2" Bore, Inc. 170-151 set screw
6	135-540	2	Bearing Standoff Bar
7	170-053	2	Bearing, 2 1/2" Roller; Mtg Hrd: 5/8" x 2 1/2" Bolt ( <b>front brg.</b> ) 5/8" x 1-3/4" Bolt, ( <b>rear brg.</b> ) LW, Nut (4 ea)
8	130-175	1	Sprocket; 120-B-12 x 2 1/2" Bore, Inc. 170-249 set screw
9	133-530	1	Counter Shaft; 2-1/2" x 12 3/4"
10	102-212	1	Bearing Assy 2"; Mtg Hrd: 5/8" x 1 1/4" Bolt (4 ea), FW (8 ea), LN (4ea)
11	135-614	1	Bushing, straight; 2" ID x 2 1/2" O.D.
12	170-499	2	Snap Ring; 1-3/8"
13	171-585	2	Bearing, 1 3/8" Roller; Mtg Hrd: 1/2" x 1 3/4" Bolt, LW, Nut (4ea)
14	134-670	1	Input Shaft; 1 3/8" x 13 1/2"
15	172-894	1	Key; 3/8" Sq. x 2 3/8"
16	136-260	1	Seal Plate
17	173-164	1	Seal, lip (CR# 13536)
18	175-319	A/R	Spacer washer, 1 1/2" ID X 18 Ga
	175-320	A/R	Spacer washer, 1 1/2" ID X 14 Ga
	175-321	A/R	Spacer washer, 1 1/2" ID X 10 Ga
19	134-461	1	Sprocket; 60-B-36 x 1 3/8" Bore ( <b>540 RPM</b> ) ( <b>8118 only</b> )
	134-459	1	Sprocket; 60-B-20 x 1 3/8" Bore ( <b>1000 RPM</b> )
20	135-539	1	Sprocket; 60-B-33 x 1 3/8" Bore ( <b>540 RPM</b> ) Inc. 170-151 set screw (8118 only)
	130-128	1	Sprocket; 60-B-18 x 1 3/8" Bore ( <b>1000 RPM</b> ) Inc. 170-151 set screw
	132-678	1	Sprocket; 60-B-15 x 1 3/8" Bore ( <b>1000 RPM Auger slow down</b> )
21	171-607	1	Snap Ring; 3 1/2"
22	134-792	1	Sprocket; 120-B-48 x 3-1/2" Bore
23	136-286	1	Nylon Thrust Washer 1/8" x 3 1/2" ID
24	172-874	1	Quadring Seal
25	102-215	1	Bearing Housing; Mtg Hrd: 5/8" x 1 1/4" Bolt, FW, Nut (4 ea)
26	135-613	1	Bushing, Straight; 3 1/2" I.D. x 4 1/4" O.D.
27	135-598	2	Thrust Washer
28	135-541	1	Sprocket; 80-B-42 x 2 1/2" Bore, Inc. 170-249 set screw
29	171-769	1	Key; 5/8" Sq. x 4-3/8"
30	175-535	1	Lock Collar
31	136-342	1	Repair Kit

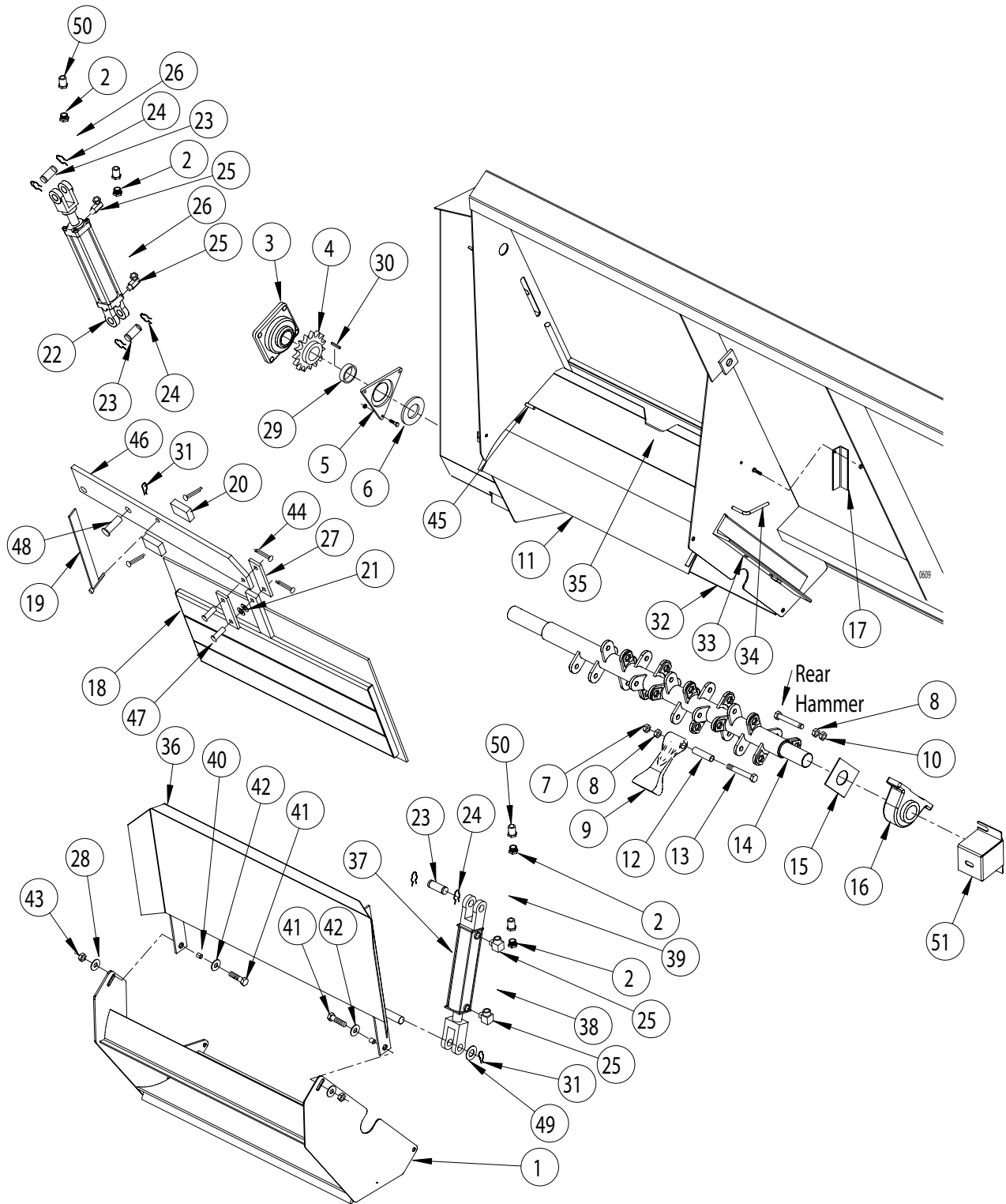
# Front Drive Parts



## Front Drive Parts

REF	PART NO	QTY	DESCRIPTION
1	172-831	1	Roller Chain; 80-1-86 P
2	172-832	1	Roller Chain; 120-1-66 P
3	172-828	1	Roller Chain; 60-1-130 P <b>(540 RPM) (8118 only)</b>
	172-827	1	Roller Chain; 60-1-121 P <b>(1000 RPM)</b>
4	172-830	1	Roller Chain; 60-H-112 P <b>(540 RPM) (8118 only)</b>
	172-829	1	Roller Chain; 60-H-1-104 P <b>(1000 RPM)</b>
5	101-911	3	Tightener Arm
6	134-155	3	Plastic Tightener Block; Mtg Hrd; 1/2" x 2-3/4" Bolt, FW, LW, Nut (1 ea)
7	172-005	3	Spring, 6" x 1"
8	170-845	2	Machine Chain; #4 x 17 Links
9	170-800	4	Pin, clinch 3/16 x 1 1/2"
10	171-045	1	Machine Chain; #4 x 22 Links
11	134-086	1	Plastic Tightener Block; Mtg Hrd: 1/2" x 4" Bolt, FW, LW, Nut (1 ea)
12	172-751	1	Spring, 8 1/4 x 1 1/2"
13	101-761	1	Tightener Arm
14	171-919	1	Plug: 1 1/4" PVC
15	171-252	1	1/2" x 3/4" Bolt and <b>172-884</b> Washer, Nylon 1/2"
16	170-518	1	Machine Chain; #4 x 30 Links
17	134-889	1	Retainer Arm; Mtg Hrd: 5/16" x 3/4" Bolt, FLN (2 ea)
18	172-876	2	Rubber Grommet
19	135-607	1	Grommet Retainer; Mtg Hrd: 1/4" x 3/4" Bolt, LW, Nut (1 ea)
20	134-675	1	Plate, 1/4" x 7" x 10"
21	136-342	1	Plate, 1/4" x 9 1/4" x 9 1/4"

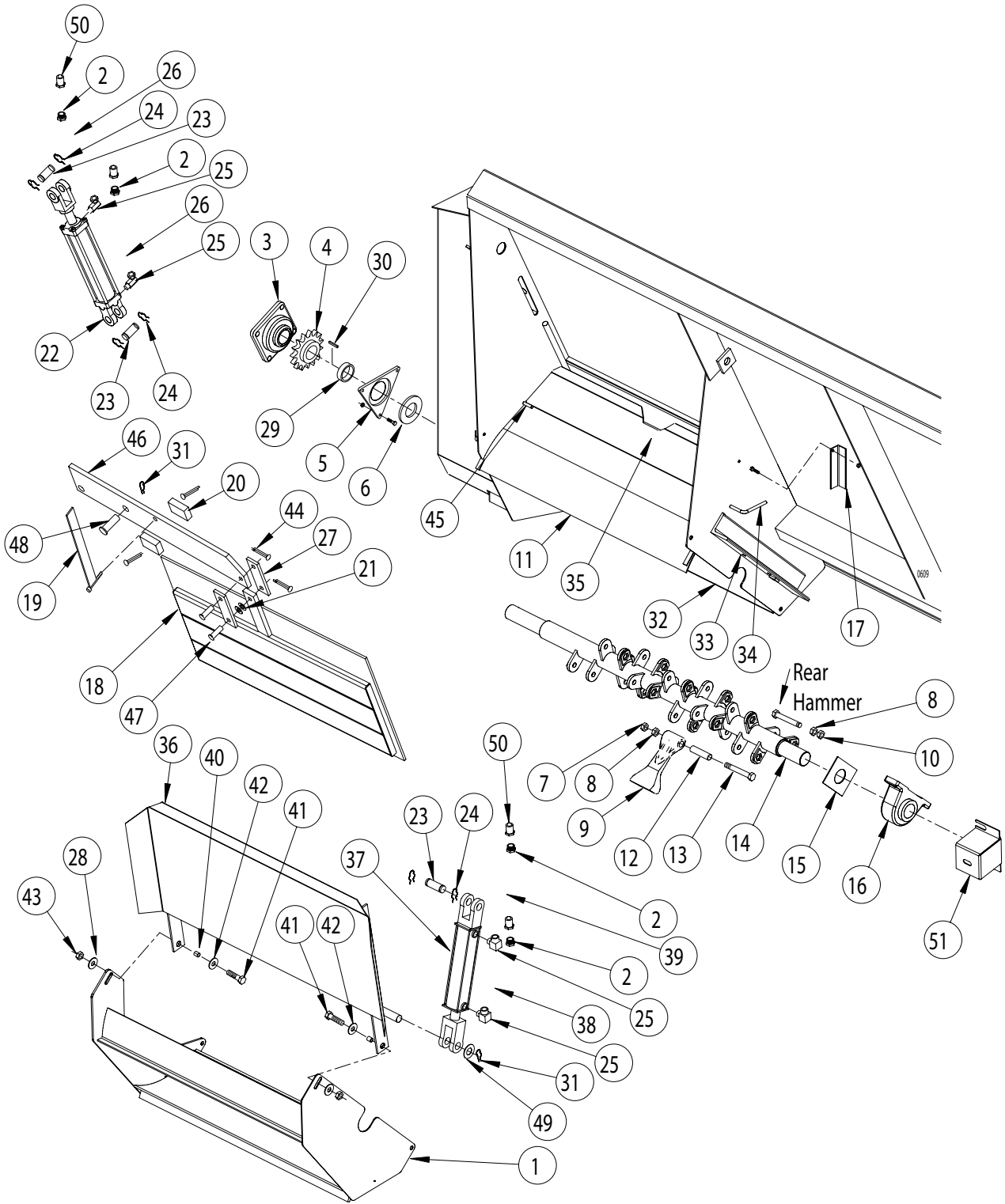
### Discharge Parts - A and B Model Serial Number Units



## Discharge Parts - A and B Model Serial Number Units

REF	PART NO	QTY	DESCRIPTION
1	104-041	1	Discharge Shroud Weldment; Mtg Hrd 1/2" x 1 1/4" Bolt, & LN (2 ea) <b>(lower shroud mt. only)</b>
2	175-675	4	Adapter, Straight .08 x .06
3	170-008	1	Bearing; 2" Flanged; Mtg Hrd 5/8" x 1 3/4" LW & Nut (4 ea)
4	134-460	1	Sprocket; 60-B-23, 2" Bore 1/2" KW, Inc. 170151 set screw
5	134-831	1	Seal Retainer Plate; Mtg Hrd: 5/16" x 1" FLN (3 ea)
6	133-277	1	Seal, 2 1/2" ID Plastic
7	170-031	14	Lock Nut; 5/8" <b>(Grade 5)</b>
8	170-037	15	Jam Nut; 5/8" <b>(Grade 5)</b>
9	175-035	15	Hammer
10	172-866	2	Jam Lock Nut; 5/8" (Grade 5)(rear hammer only)
11	134-846	1	Top Door Frame; Weld On
12	172-422	15	Bushing; Straight Nylon
13	172-421	14	Bolt; 5/8" x 5 1/2" Bolt <b>(Grade 5)</b>
	142-003	1	Bolt; 5/8" x 4 3/4" Bolt <b>(Grade 5) (rear hammer only)</b>
14	101-988	1	Hammer Shaft Weldment
15	134-875	1	Plastic Shaft Seal; 1/8" x 4" x 5"
16	171-586	1	Pillow Block Bearing 2"; Mtg Hrd; 5/8" x 2 1/2" <b>(172-381)</b> B, FW, JN & LN (2 ea.)
17	134-874	1	Lock Angle; Mtg Hrd: 5/16" x 1" Bolt, Fw, & Nut
18	101-986	1	Discharge Door Weldment
19	102-208	1	Door Height Indicator Bar; Mtg Hrd; 1/2" Bolt, LN
20	172-875	2	Foam Seal; 7/8" x 2" x 3"; Mtg Hrd 170-056 1/4" x 2 cotter pin (1EA)
21	170-066	A/R	Flat Washer; 5/8"
22	173-271	1	Hydraulic Cylinder; 2 1/2" x 8", Order <b>Seal Kit # (170-464)</b>
23	173-274	3	Clevis Pin; 1"
24	173-275	6	Hair Pin Clip
25	171-030	4	Adapter; 3/8" x 90 Degree
26	171-309	2	Hydraulic Hose; 1/4" x 132" OAL
27	135-608	2	Door Linkage
28	175-299	2	Heavy Washer; 1/2"
29	172-772	1	Lock Collar, 2"
30	170-835	1	Key; 1/2" x 1/2" x 1 1/2"
31	170-074	2	Hair Pin
32	134-649	1	Mount; Bottom 5/16 x 14 1/32 x 38 5/8, Weld On
33	133-288	1	Bearing Mount; RH, Weld On
34	134-902	1	Clean Out Handle
35	134-899	1	Clean Out Door; Weld On
36	103-622	1	Deflector Assembly
37	173-273	1	Cylinder; 2" DIA x 10" stroke, (Seal Kit #170-075)
38	173-493	1	Hydraulic Hose; 1/4" x 198"OAL
39	171-068	1	Hydraulic Hose; 1/4" x 192"OAL
40	142-082	2	Bushing
41	171-774	2	Bolt; 1/2" x 1 3/4"
42	170-002	2	Washer; 1/2"
43	170-042	2	Lock Nut; 1/2"
44	170-236	2	Cotter Pin 5/32" x 1 1/2"
45	133-637	1	Cover Hinge; 3/8" x 2", Weld On
46	136-495	1	Pivot Linkage
47	171-696	2	Clevis Pin; 5/8" x 2"
48	170-073	2	Clevis Pin; 1" x 2 1/2"FW, JN & LN (2 ea.)
49	170-122	1	Washer; 1"
50	175-536	2	Pioneer Quick Coupler
51	144-763	1	Bearing Cover

### Discharge Parts - C Model Serial Number Units

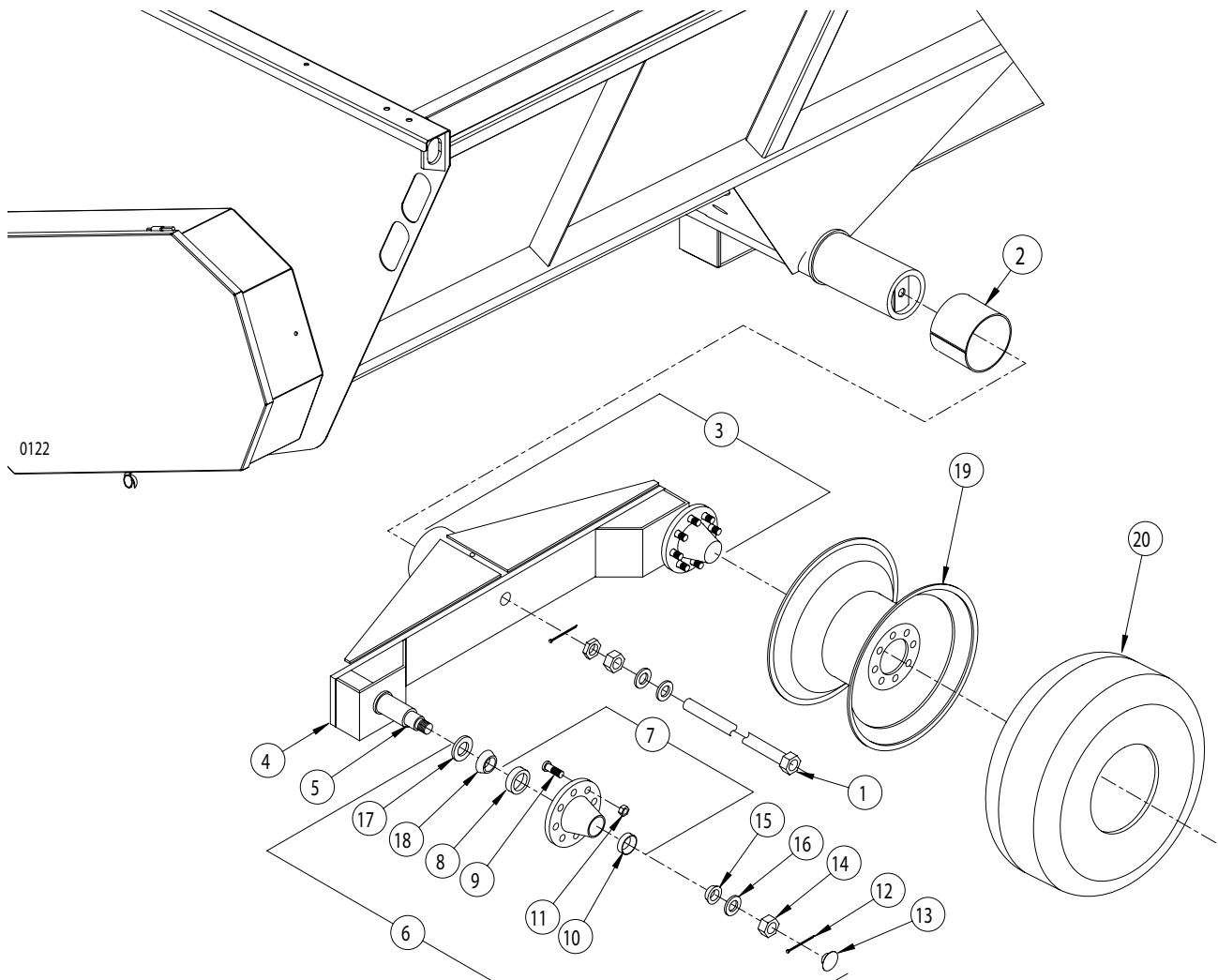


## Discharge Parts - C Model Serial Number Units

REF	PART NO	QTY	DESCRIPTION
1	104-041	1	Discharge Shroud Assy; Mtg Hrd 1/2" x 1 1/4" Bolt, & LN (2 ea) <b>(lower shroud mt. only)</b>
2	175-675	8	Adapter; Straight 08OM x 06JM
3	170-008	1	Bearing; 2" Flanged; Mtg Hrd 5/8" x 1 3/4" LW & Nut (4 ea)
4	134-460	1	Sprocket; 60-B-23, 2" Bore 1/2" KW, Inc. 170151 set screw
5	134-831	1	Seal Retainer Plate; Mtg Hrd: 5/16" x 1" FLN (3 ea)
6	133-277	1	Seal, 2 1/2" ID Plastic
7	170-031	14	Lock Nut; 5/8" <b>(Grade 5)</b>
8	170-037	15	Jam Nut; 5/8" <b>(Grade 5)</b>
9	175-035	15	Hammer
10	172-866	2	Jam Lock Nut; 5/8" (Grade 5)(rear hammer only)
11	134-846	1	Top Door Frame; Weld On
12	172-422	15	Bushing; Straight Nylon
13	172-421	14	Bolt; 5/8" x 5 1/2" Bolt <b>(Grade 5)</b>
	142-003	1	Bolt; 5/8" x 4 3/4" Bolt <b>(Grade 5) (rear hammer only)</b>
14	101-988	1	Hammer Shaft Assy
15	134-875	1	Plastic Shaft Seal; 1/8" x 4" x 5"
16	171-586	1	Pillow Block Bearing 2"; Mtg Hrd; 5/8" x 2 1/2" <b>(172-381)</b> B, FW, JN & LN (2 ea.)
17	134-874	1	Lock Angle; Mtg Hrd: 5/16" x 1" Bolt, Fw, & Nut
18	101-986	1	Discharge Door Assy
19	102-208	1	Door Height Indicator Bar; Mtg Hrd; 1/2", LN
20	172-875	2	Foam Seal; 7/8" x 2" x 3"; Mtg Hrd 170-056 1/4" x 2 cotter pin (1EA)
21	170-066	A/R	Flat Washer; 5/8"
22	176-141	1	Hydraulic Cylinder; 2 1/2" x 8" Stroke, ORB Ports - Order <b>Seal Kit # (170-464)</b>
23	173-274	3	Clevis Pin; 1"
24	173-275	6	Hair Pin Clip
25	175-673	4	Adapter; 90 Degree 06JFS x 06JM
26	175-689	2	Hydraulic Hose; 1/4" x 132" OAL x 06JFS x 06JFS
27	135-608	2	Door Linkage
28	175-299	2	Heavy Washer; 1/2"
29	172-772	1	Lock Collar, 2"
30	170-835	1	Key; 1/2" x 1/2" x 1 1/2"
31	170-074	2	Hair Pin
32	134-649	1	Mount; Bottom 5/16 x 14 1/32 x 38 5/8, Weld On
33	133-288	1	Bearing Mount; RH, Weld On
34	134-902	1	Clean Out Handle
35	134-899	1	Clean Out Door; Weld On
36	103-622	1	Deflector Assembly
37	175-726	1	Cylinder; 2" DIA x 10" stroke, ORB Ports - Order <b>(Seal Kit #170-075)</b>
38	175-925	1	Hydraulic Hose; 1/4" x 192"OAL x 06JFS x 06JFS
39	175-691	1	Hydraulic Hose; 1/4" x 197"OAL x 06JFS x 06JFS
40	142-082	2	Bushing
41	170-002	2	Bolt; 1/2" x 1 3/4"
42	171-774	2	Washer; 1/2"
43	170-042	2	Lock Nut; 1/2"
44	170-236	2	Cotter Pin 5/32" x 1 1/2"
45	133-637	1	Cover Hinge; 3/8" x 2", Weld On
46	136-495	1	Pivot Linkage
47	171-696	2	Clevis Pin; 5/8" x 2"
48	170-073	2	Clevis Pin; 1" x 2 1/2"FW, JN & LN (2 ea.)
49	170-122	1	Washer; 1"
50	175-687	2	Adapter, Quick Coupler
51	144-763	1	Bearing Cover

# Running Gear Parts (8118)

## 8118 Only

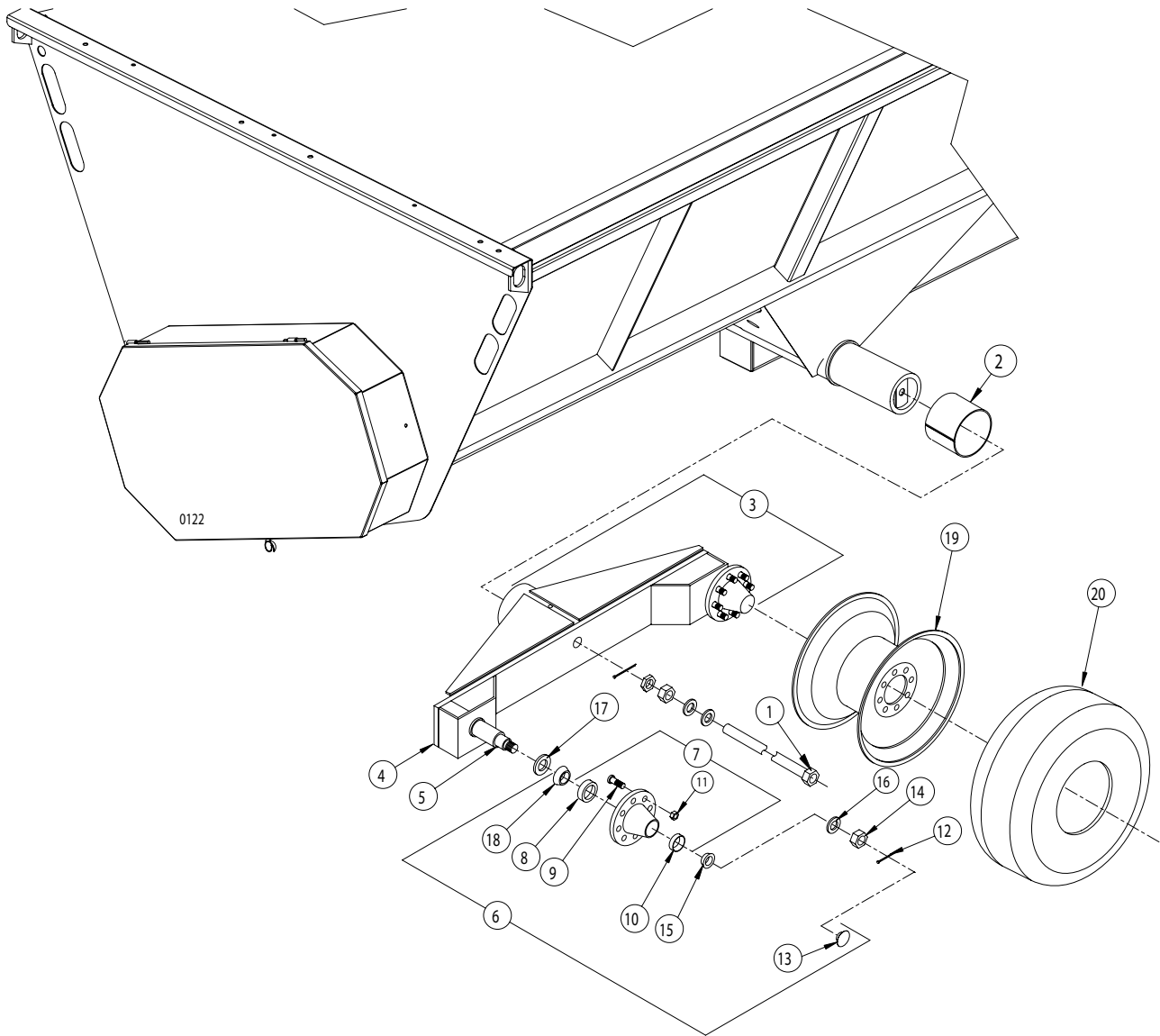


**Running Gear Parts (8118)****8118 Only**

REF	PART NO	QTY	DESCRIPTION
1	101-613	2	Tie Rod Assembly Mtg Hrd: 3/4" Nut, Jam Nut, (170-236) Cotter Pin (1 ea) & FW (2)
2	133-565	2	Bushing; Bogie Pivot
3	102-518	1	RH Bogie Assembly
4	102-516	1	RH Bogie Weldment
	170-865	1	Grease Zerk 1/8" NPT
5	136-989	2	Spindle; 2 1/2" x 14" Long
6	174-587	2	8-Bolt Hub Assembly
7	174-582	1	8-Bolt Hub; includes (1ea) 170-865 Grease Zerk 1/8" NPT
8	174-583	1	Inside Bearing Race; Timken JLM506810
9	174-586	8	Stud; 5/8" x 2 1/2"
10	171-825	1	Outside Bearing Race; Timken LM501310
11	171-827	8	Wheel Nut 5/8"
12	170-056	2	Cotter Pin; 1/4" x 2"
13	171-830	2	Dust Cap
14	171-833	2	Castle Nut; 1" NF
15	171-829	2	Outside Bearing Cone; Timken LM501349
16	171-832	2	Washer, Spindle 3"
17	174-585	2	Grease Seal; C/R 25091
18	174-584	2	Inside Bearing Cone; Timken JLM506849
3	102-517	1	LH Bogie Assembly
4	102-515	1	LH Bogie Weldment
	170-865	1	Grease Zerk 1/8" NPT
5	136-989	2	Spindle; 2 1/2" x 14" Long
6	174-587	2	8-Bolt Hub Assembly
7	174-582	1	8-Bolt Hub; includes (1ea) 170-865 Grease Zerk 1/8" NPT
8	174-583	1	Inside Bearing Race; Timken JLM506810
9	174-586	8	Stud; 5/8" x 2 1/2"
10	171-825	1	Outside Bearing Race; Timken LM501310
11	171-827	8	Wheel Nut 5/8"
12	170-056	2	Cotter Pin; 1/4" x 2"
13	171-830	2	Dust Cap
14	171-833	2	Castle Nut; 1" NF
15	171-829	2	Outside Bearing Cone; Timken LM501349
16	171-832	2	Washer, Spindle 3"
17	174-585	2	Grease Seal; C/R 25091
18	174-584	2	Inside Bearing Cone; Timken JLM506849
19	174-581	4	Wheel; 16.1" x 14", 8-Hole 3/8" positive offset
	172-285	4	Wheel; 22 1/2" x 8 1/4", 8-Hole 3/8" positive offset
	172-229	4	Wheel; 22 1/2" x 11 1/4", 8-Hole 3/8" positive offset
20	171-780	4	Tire, 16.5L x 16.1 IMP 10 Ply
	173-373	4	Tire, 275/80, R 22.5 (Tube - 173-372)
	171-653	4	Tire, 385/65, R 22.5 (Tube - 174-579)

# Running Gear Parts (8124)

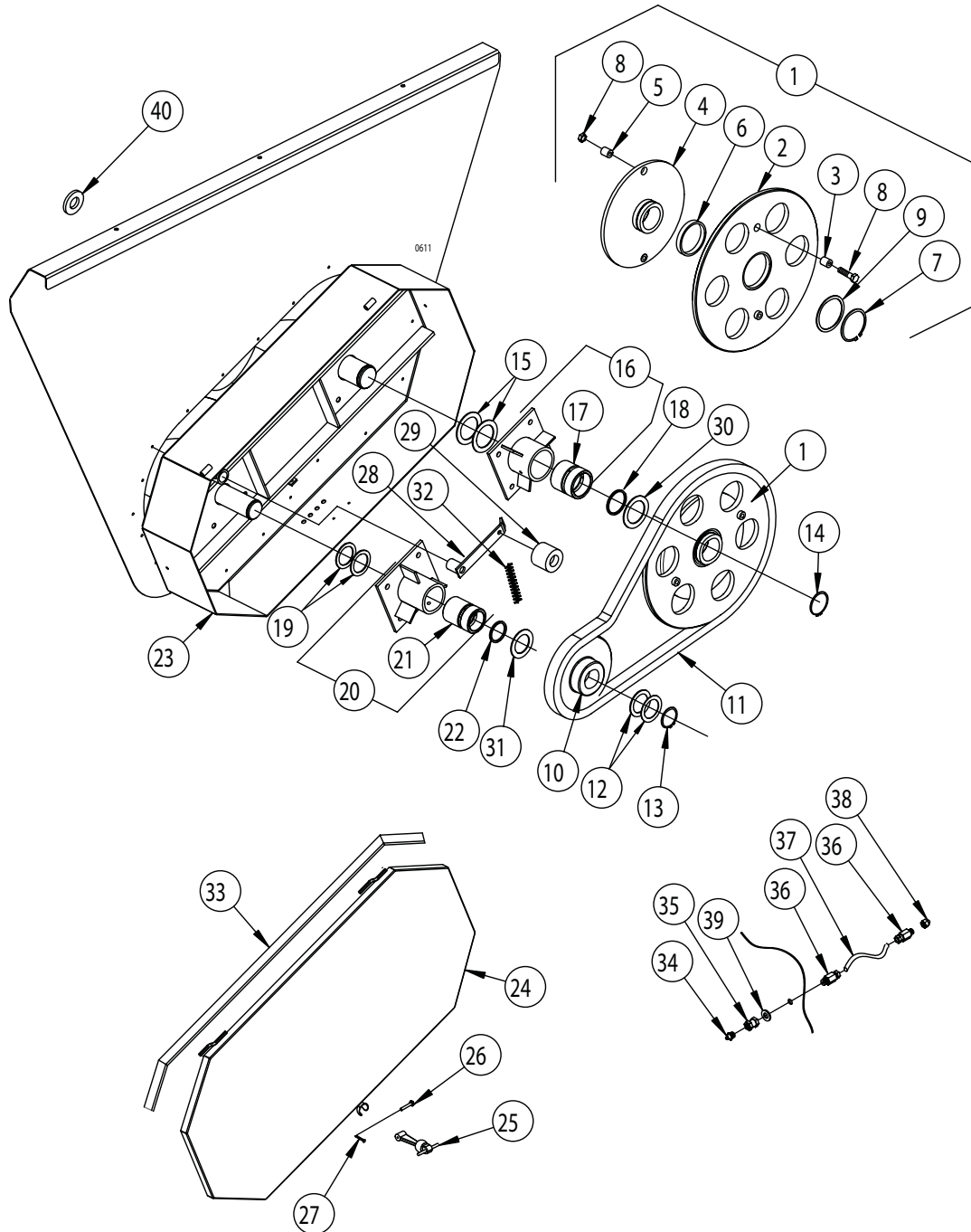
## 8124 Only



**Running Gear Parts (8124)****8124 Only**

REF	PART NO	QTY	DESCRIPTION
1	101-613	1	Tie Rod Assembly Mtg Hrd: 3/4" N, Jam Nut, (170-236) Cotter Pin (1 ea) & FW (2)
2	133-565	2	Bushing; Bogie Pivot
3	101-646	1	RH Bogie Assembly
4	101-644	1	RH Bogie Weldment
	170-865	1	Grease Zerk 1/8" NPT
5	142-068	2	Spindle; 3" x 16" Long
6	171-815	2	8-Bolt Hub Assembly
7	171-823	1	8-Bolt Hub; includes (1ea) 170-865 Grease Zerk 1/8" NPT
8	171-824	1	Inside Bearing Race; Timken 382A
9	171-826	8	Stud; 5/8"
10	171-825	1	Outside Bearing Race; Timken LM501310
11	171-827	8	Wheel Nut
12	170-056	2	Cotter Pin; 1/4" x 2"
13	171-830	2	Dust Cap
14	171-833	2	Castle Nut; 1" NF
15	171-829	2	Outside Bearing Cone; Timken LM501349
16	171-832	2	Washer, Spindle 3"
17	171-831	2	Grease Seal; C/R 29968
18	171-828	2	Inside Bearing Cone; Timken 387AS
3	101-645	1	LH Bogie Assembly
4	101-643	1	LH Bogie Weldment
	170-865	1	Grease Zerk 1/8" NPT
5	142-068	2	Spindle; 3" x 16" Long
6	171-815	2	8-Bolt Hub Assembly
7	171-823	1	8-Bolt Hub; includes (1ea) 170-865 Grease Zerk 1/8" NPT
8	171-824	1	Inside Bearing Race; Timken 382A
9	171-826	8	Stud; 5/8"
10	171-825	1	Outside Bearing Race; Timken LM501310
11	171-827	8	Wheel Nut
12	170-056	2	Cotter Pin; 1/4" x 2"
13	171-830	2	Dust Cap
14	171-833	2	Castle Nut; 1" NF
15	171-829	2	Outside Bearing Cone; Timken LM501349
16	171-832	2	Washer, Spindle 3"
17	171-831	2	Grease Seal; C/R 29968
18	171-828	2	Inside Bearing Cone; Timken 387AS
19	171-809	4	Wheel; 16" x 16.1", 8-Hole 3/8" pos offset
	172-229	4	Wheel; 22.5" x 11.25", 8-Hole 3/8" pos offset
	176-266	4	Wheel, 16.1" x 18", 8-Hole 3/8" neg offset
20	171-810	4	Tire, 19 L x 16.1 Imp, 12 ply
	171-653	4	Tire, 385/65 R 22.5 (Tube-174-577)
	172-482	4	Tire, 21.5 x 16.1 Imp, 14 Ply

## Rear Drive Parts



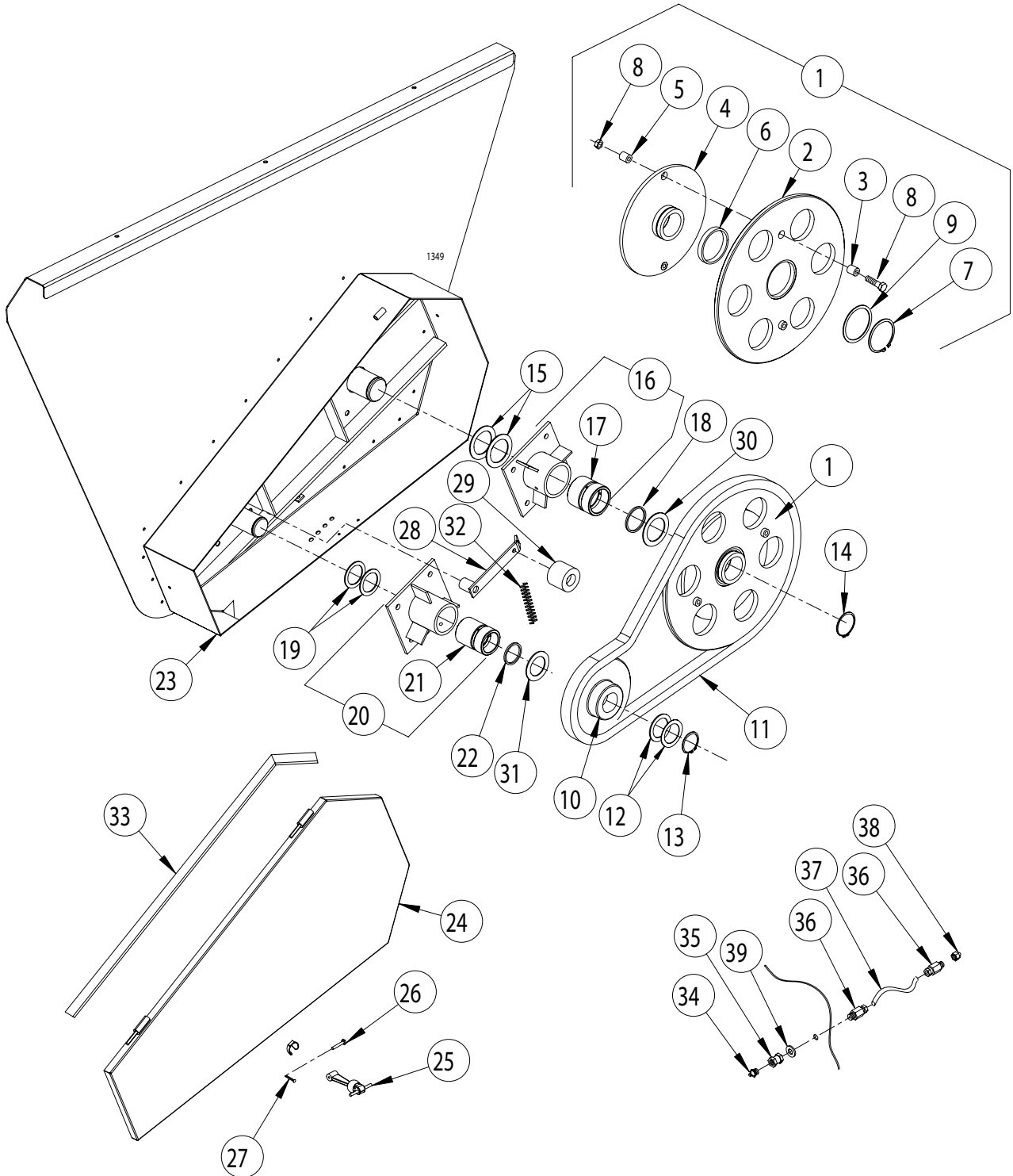
## Rear Drive Parts

REF	PART NO	QTY	DESCRIPTION
1	102-207	1	Shear Sprocket and Hub Assembly
2	102-226	1	Shear Sprocket Assembly
3	134-893	2	Bushing (weld on)
4	102-225	1	Shear Hub Assembly
5	134-893	2	Bushing (weld on)
6	134-481	1	Bronze Bushing (press fit into hub)
7	171-989	1	Snap Ring; 4" External
8	170-168	2	Shear Bolt; 1/2" x 3" Grade 5; 170-042: Lock Nut, 1/2" Grade 5
9	134-892	1	Retainer Plate
10	135-550	1	Sprocket 100B-24 2 1/2" Splined Bore
11	170-952	1	Roller Chain 100-1-78P
12	172-046	A/R	Spacer Washer 2 1/2" I.D. 14 Gage
	171-968	A/R	Spacer Washer 2 1/2" I.D. 10 Gage
13	170-152	1	Snap Ring; 2 1/2" External
14	171-934	1	Snap Ring; 3" External
15	135-597	2	Thrust Washer, plastic; 3" I.D.
16	102-214	1	Bearing Assembly; 3" Mtg Hrd: 5/8" x 1 1/4" Bolt, LN (4 ea), FW (8 ea)
17	135-612	1	Bushing, Straight 3" I.D. x 3.75 O.D.
18	172-873	1	Quadring Seal; 2 7/8" I.D.
19	135-596	2	Thrust Washer; 2 1/2" I.D.
20	102-213	1	Bearing Assembly; 2-1/2" Mtg Hrd: Mtg Hrd: 5/8" x 1 1/4" B, LN (4 ea), Fw (8 ea)
21	135-611	1	Bushing, Straight; 2-1/2" I.D. x 3.25 O.D.
22	172-872	1	Quadring Seal; 2-3/8" I.D.
23	102-205	1	Rear End Enclosure Assembly; Mtg Hrd; 5/16" x 3/4" Bolt, LW, Nut (22 ea)
24	102-224	1	Rear Shield Assembly
25	170-950	1	Rubber Latch
26	171-137	1	Pin; 1/4" x 1-1/2"
27	170-992	1	Cotter Pin
28	101-911	1	Tightener Arm
29	134-155	1	Tightener Block; Mtg Hrd; 1/2" x 2-3/4" Bolt, LW, Nut (1 ea)
30	136-285	1	Nylon Thrust Washer, 3"
31	136-284	1	Nylon Thrust Washer, 2 1/2"
32	172-751	1	Spring 8 1/2" LG x 1 1/2" O.D.
33	171-935*	1	Foam Gasket" (4' 7" long)
40	175-310	2	Grommet, 1.75" x 1.00" x .50"
<b>GREASE LINES</b>			
34	170-865	1*	Grease Zerk 1/8" NPT
35	172-024	1*	Coupling
36	172-822	2*	Compression Fitting
37	180-630*		Grease Line Tubing
		10"	Required for left rear auger bearing
		10"	Required for right rear auger bearing
38	172-823**	1*	Adapter Fitting
39	170-244	1*	Flat Washer 3/8"

\* Sold by the linear foot.

\*\* Not required on all installations.

### Rear Drive Parts (Serial Numbers D0001 and After)



**Rear Drive Parts (Serial Numbers D0001 and After)**

REF	PART NO	QTY	DESCRIPTION
1	102-207	1	Shear Sprocket and Hub Assembly
2	102-226	1	Shear Sprocket Assembly
3	134-893	2	Bushing (weld on)
4	102-225	1	Shear Hub Assembly
5	134-893	2	Bushing (weld on)
6	134-481	1	Bronze Bushing (press fit into hub)
7	171-989	1	Snap Ring; 4" External
8	170-168	2	Shear Bolt; 1/2" x 3" Grade 5; 170-042: Lock Nut, 1/2" Grade 5
9	134-892	1	Retainer Plate
10	135-550	1	Sprocket 100B-24 2 1/2" Splined Bore
11	170-952	1	Roller Chain 100-1-78P
12	172-046	A/R	Spacer Washer 2 1/2" I.D. 14 Gage
	171-968	A/R	Spacer Washer 2 1/2" I.D. 10 Gage
13	170-152	1	Snap Ring; 2 1/2" External
14	171-934	1	Snap Ring; 3" External
15	135-597	2	Thrust Washer, plastic; 3" I.D.
16	102-214	1	Bearing Assembly; 3" Mtg Hrd: 5/8" x 1 1/4" Bolt, LN (4 ea), FW (8 ea)
17	135-612	1	Bushing, Straight 3" I.D. x 3.75 O.D.
18	172-873	1	Quadring Seal; 2 7/8" I.D.
19	135-596	2	Thrust Washer; 2 1/2" I.D.
20	102-213	1	Bearing Assembly; 2-1/2" Mtg Hrd: Mtg Hrd: 5/8" x 1 1/4" B, LN (4 ea), Fw (8 ea)
21	135-611	1	Bushing, Straight; 2-1/2" I.D. x 3.25 O.D.
22	172-872	1	Quadring Seal; 2-3/8" I.D.
23	105-248	1	Rear End Enclosure Assembly; Mtg Hrd; 5/16" x 3/4" Bolt, LW, Nut (22 ea)
24	105-249	1	Rear Shield Assembly
25	170-950	1	Rubber Latch
26	171-137	1	Pin; 1/4" x 1-1/2"
27	170-992	1	Cotter Pin
28	101-911	1	Tightener Arm
29	134-155	1	Tightener Block; Mtg Hrd; 1/2" x 2-3/4" Bolt, LW, Nut (1 ea)
30	136-285	1	Nylon Thrust Washer, 3"
31	136-284	1	Nylon Thrust Washer, 2 1/2"
32	172-751	1	Spring 8 1/2" LG x 1 1/2" O.D.
33	171-935*	1	Foam Gasket" (4' 7" long)

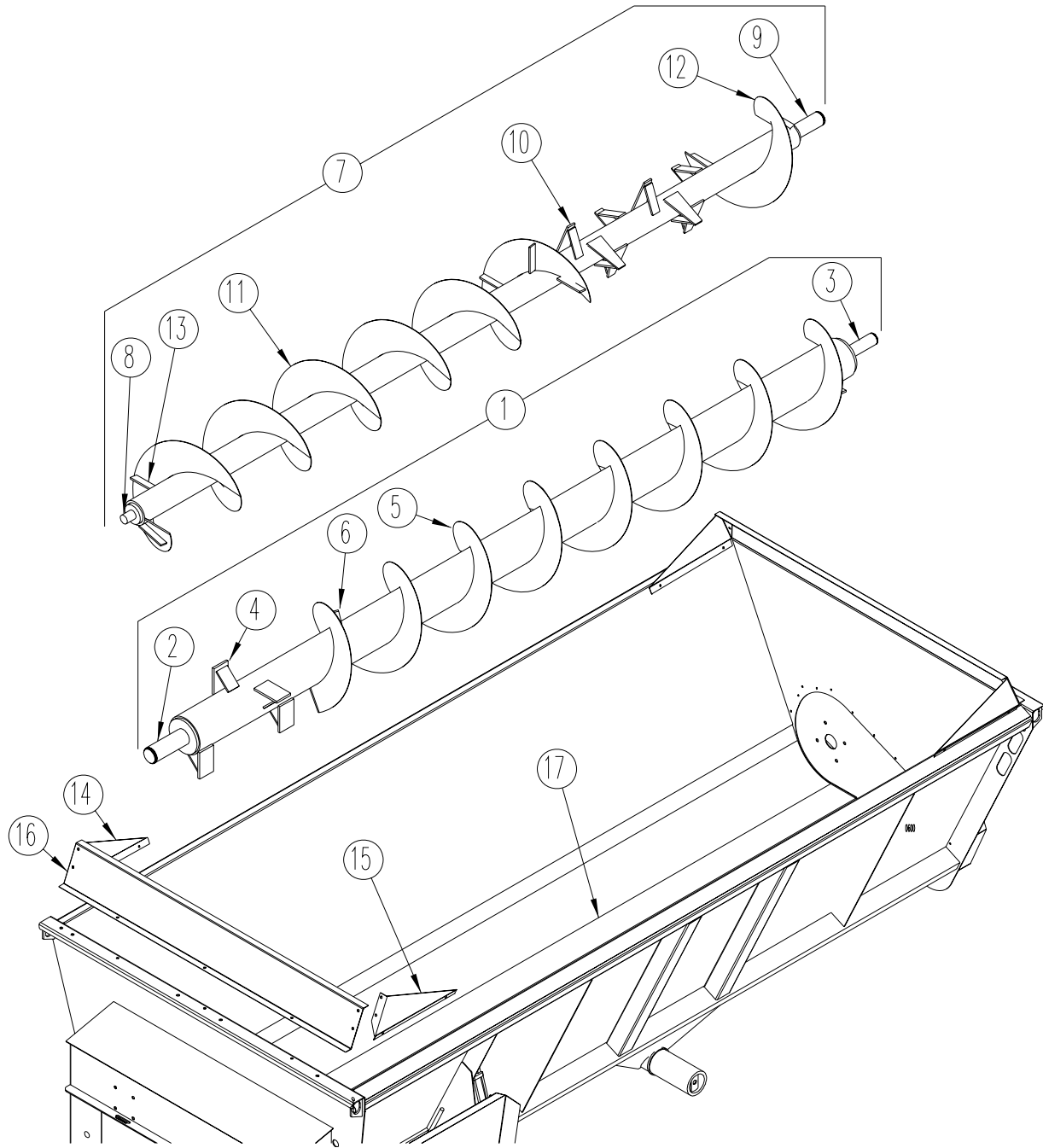
**GREASE LINES**

34	170-865	1*	Grease Zerk 1/8" NPT
35	172-024	1*	Coupling
36	172-822	2*	Compression Fitting
37	180-630*		Grease Line Tubing
		10"	Required for left rear auger bearing
		10"	Required for right rear auger bearing
38	172-823**	1*	Adapter Fitting
39	170-244	1*	Flat Washer 3/8"

\* Sold by the linear foot.

\*\* Not required on all installations.

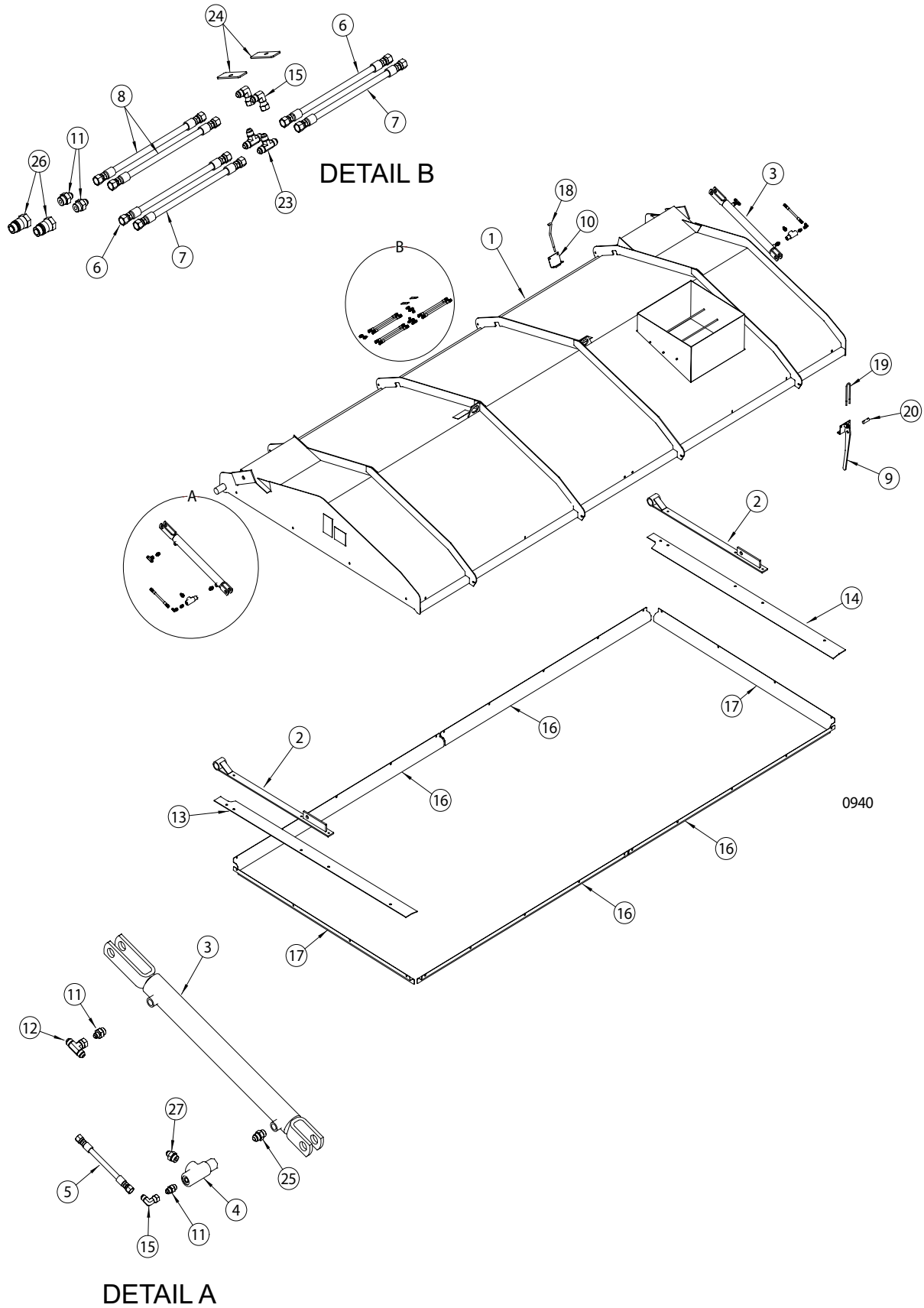
### Auger and Splash Guard Parts



## Auger and Splash Guard Parts

REF	PART NO	QTY	DESCRIPTION
1	102-241	1	Left Auger Assembly
2	102-240	1	Front Plug Assembly; 3 1/2"
3	102-238	1	Rear Plug Assembly; 2 1/2"
4	102-216	6	Paddle Assembly
5	142-031	8	Flighting; 3/8" x 8-5/8" x 20"
6	135-555	6	Flighting Brace
7	102-521	1	Right Auger assembly
8	102-520	1	Front Plug Assembly, 2"
9	102-519	1	Rear Plug Assembly, 3"
10	103-517	8	Paddle Assembly; 5 9/16" Dia Tube
11	142-032	6	Flighting; 3/8" x 5 9/16" x 20"
12	142-035	1	Flighting; 3/8" x 5 9/16" x 20"
13	136-979	8	Flighting Brace; 5 9/16" Dia
14	136-716	1	Splash Guard <b>(RH FT &amp; LH RR)</b> Mtg Hrd; 174-874B, FW (2 ea)
15	136-717	1	Splash Guard <b>(LH FT &amp; RH RR)</b> Mtg Hrd; 174-874B, FW (2 ea)
16	142-028	1	Splash Guard End <b>8124 (FT &amp; RR)</b> Mtg Hrd; 5/16" x 1"B, FW, LW, Nut (7 ea)
	142-027	1	Splash Guard End <b>8118 (FT &amp; RR)</b> Mtg Hrd; 5/16" x 1"B, FW, LW, Nut (7 ea)
17	102-235	1	Shear Shelf (weld on)
19	141-275	A/R	Right hopper repair section 48" (weld on)
20	141-276	A/R	Left hopper repair section 48" (weld on)

### Lid Parts - C Model Units

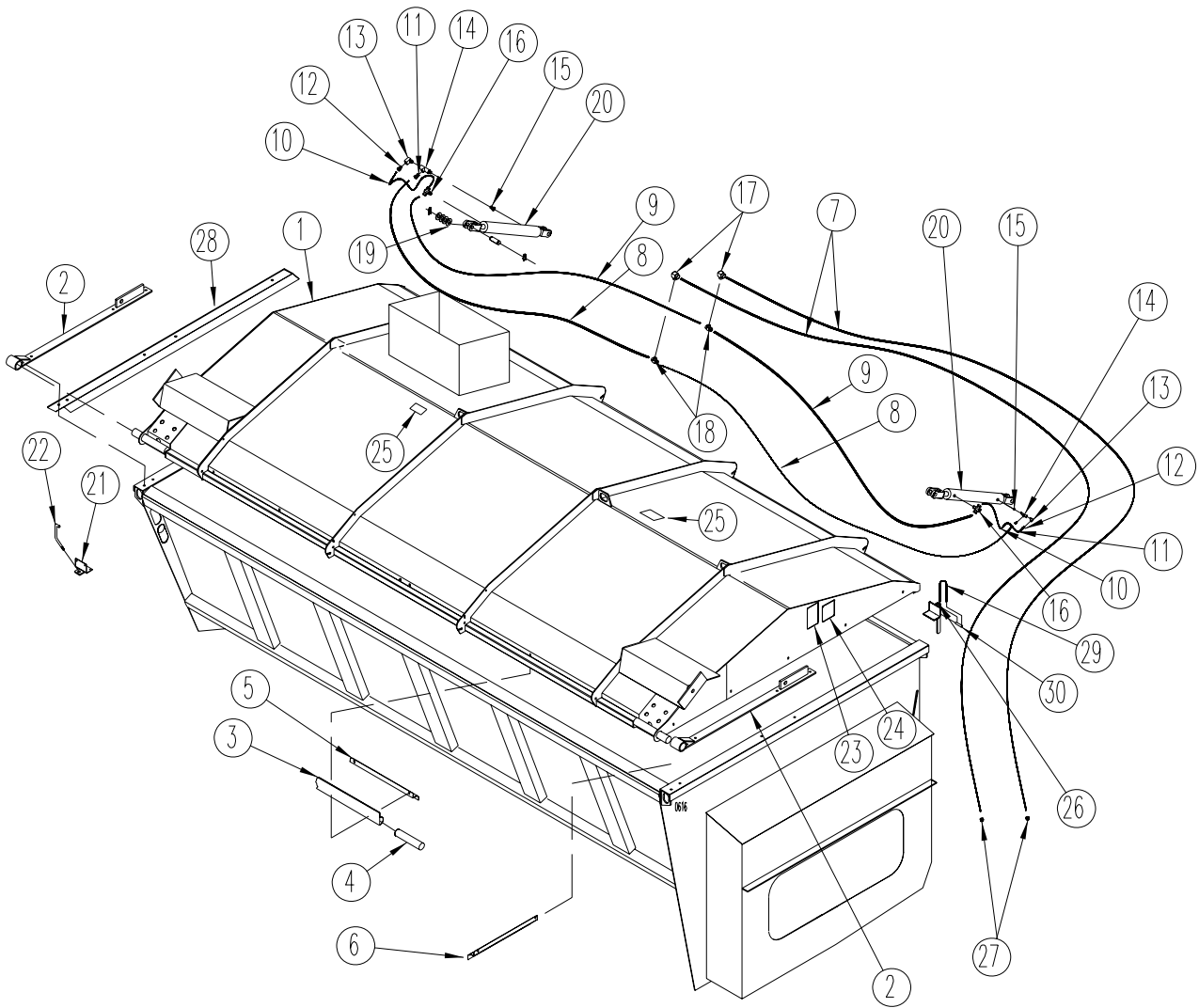


**Lid Parts - C Model Units**

REF	PART NO	QTY	DESCRIPTION
1	104-044	1	Lid Assembly (8118) (Includes Decals)
	104-034	1	Lid Assembly (8124) (Includes Decals)
2	102-073	2	Cylinder Mount - Pivot
3	175-924	2	Hydraulic Cylinder, 2" x 18"
4	175-932	1	Check Valve
5	175-929	2	Hydraulic Hose, 1/4" x 20", 100R7
6	175-688	2	Hydraulic Hose, 1/4" x 145", 100R7
7	175-908	2	Hydraulic Hose, 1/4" x 127", 100R7
8	175-857	2	Hydraulic Hose, 1/4" x 270", 100R7
9	103-762	2	Lid Hold Down Latch Handle
10	103-768	2	Lid Hold Down Latch Bracket
11	175-675	3	Adapter Straight; 08OM x 06JM
12	175-922	2	Adapter Tee; 06JFS x 06JM x 06JM
13	140-495	1	End Seal Plate (8118) Mtg Hrd: 1/2" x 1 1/2 "B,FW (10 ea),LN (5ea)
	142-025	1	End Seal Plate (8124) Mtg Hrd: 1/2" x 1 1/2 "B,FW (10 ea),LN (5ea)
14	140-496	1	End Seal Plate (8118) Mtg Hrd: 1/2" x 1 1/2 "B,FW (10 ea),LN (5ea)
	142-026	1	End Seal Plate (8124) Mtg Hrd: 1/2" x 1 1/2 "B,FW (10 ea),LN (5ea)
15	175-673	4	Adapter 90 Deg; 06JFS x 06JM
16	140-863	4	Side Seal Retainer Mtg Hrd: 5/16" x 1"B,FW (20 ea),LN (20ea)
17	140-497	2	End Seal Retainer (8118) Mtg Hrd: 5/16" x 1"B,FW (20 ea),LN (20ea)
	142-023	2	End Seal Retainer (8124) Mtg Hrd: 1/2" x 1 1/2 "B,FW (10 ea),LN (5ea)
18	140-871	2	Seal Rod; Mtg Hrd: 1/2" FW (2ea), LN,Cotter pin(170-045)(1ea)
19	140-878	2	Lid Hold Down Latch
20	140-879	2	Lid Hold Down Latch
21	174-848	46**	Polyester Seal (8018 Only) Not Shown
	174-848	49**	Polyester Seal (8024 Only) Not Shown
22	174-849	46**	Foam Rubber Seal (8018 Only) Not Shown
	174-849	49**	Foam Rubber Seal (8024 Only) Not Shown
23	175-728	2	Adapter Tee; 06JM x 06JM x 06JM
24	140-468	2	Hose Attach Plate
25	143-560	2	Adapter Straight; 08OM x 08JM (Restricted)
26	175-687	2	Quick Coupler
27	179-911	2	Adapter Straight 06 OM x 06 JM

\* Sold by Linear Foot

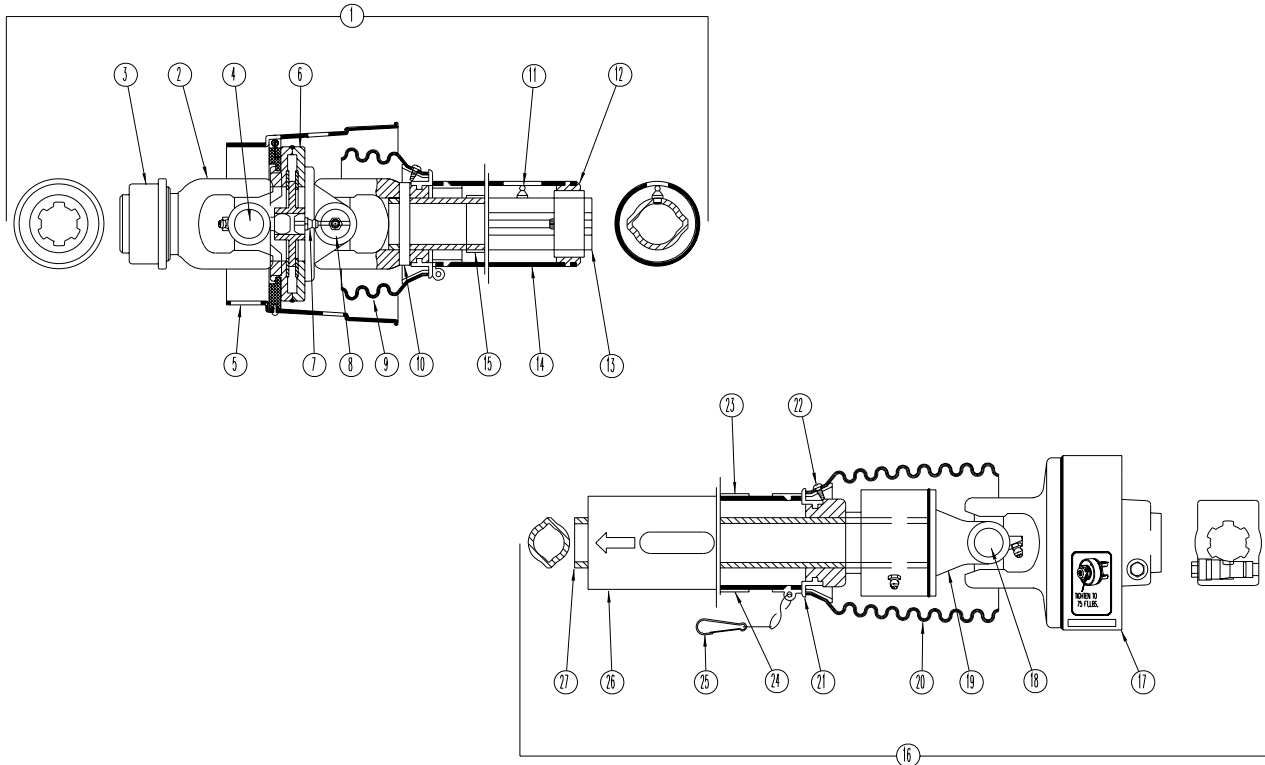
### Lid Parts - A and B Model Units



**Lid Parts - A and B Model Units**

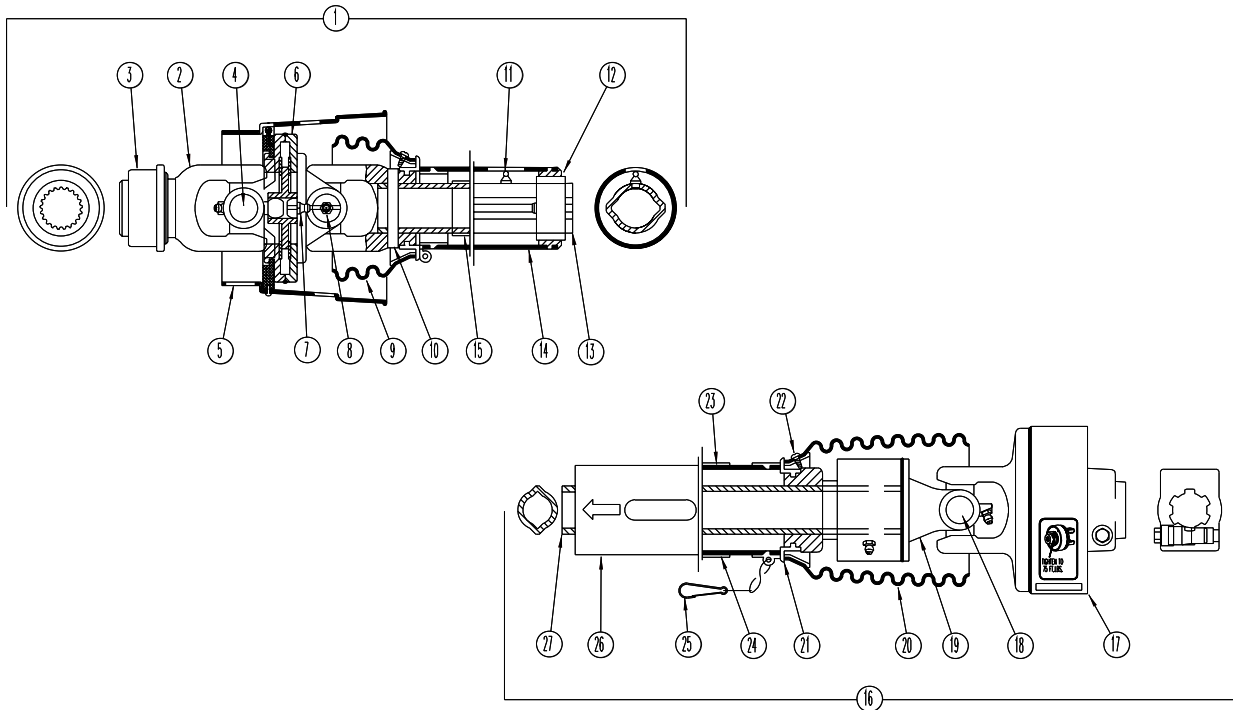
REF	PART NO	QTY	DESCRIPTION
1	104-044	1	Lid Assembly (8118) (Includes Decals)
	104-034	1	Lid Assembly (8124) (Includes Decals)
2	102-073	2	Cylinder Mount - Pivot
3	174-848	50*	Polyester Fabric; Total for Unit
4	174-849	48*	Foam Rubber; 3/8"
5	140-863	4	Seal Retainer; RH&LH Mtg Hrd: 5/16" x 1" Bolt, FW, FLN (5 ea)
6	140-497	2	Seal Retainer (8018); Front and rear, Mtg Hrd: 5/16" x 1" Bolt, FW, LN (4 ea)
	142-023	2	Seal Retainer (8024); Front and rear, Mtg Hrd: 5/16" x 1" Bolt, FW, LN (4 ea)
7	171-460	2	Hydraulic Hose; 1/4" x 294"
8	170-466	2	Hydraulic Hose; 1/4" x 138"
9	171-998	2	Hydraulic Hose; 1/4" x 118"
10	172-794	2	Hydraulic Hose; 1/4" x 20"
11	170-233	2	Swivel Adapter; 3/8" M x 3/8" F SW
12	171-251	2	Swivel Adapter; 1/4" To 3/8" Straight
13	172-809	2	Adapter; 90° Street Elbow, 1/4"
14	172-806	2	Pilot Operated Check Valve
15	172-808	2	Flow Restrictor; 3/8"
16	172-807	2	Swivel Tee Adapter, 3/8" F SW x 3/8"
17	171-030	2	Swivel Adapter; 3/8" M x 3/8" F SW x 90°
18	171-442	2	Tee Adapter; 3/8" (Weld on)
19	170-122	18	Spacer Washers (Approximately 12 Req'd)
20	170-161	2	Hydraulic Cylinder; 2" x 18", (Includes clevis pin & hairpin clip)(Seal Kit 170-075)
21	103-768	2	Hold Down Bracket Mtg Hrd: 1/4" x 1" STS 174-874 (4 ea)
22	140-871	2	Seal Rod; Mtg Hrd: 1/2" FW (2ea), LN, Cotter pin(170-045) (1ea)
23	172-599	2	Decal; Danger Maintain Safe Clearance From Power Lines
24	172-787	2	Decal; Warning Crush Under Top
25	172-821	2	Decal; Caution Do Not Lift Implement Here
26	103-762	2	Hold Down Bracket Mtg Hrd: 1/4" x 1" STS 174-874 (4ea)
27	170-235	2	Reducer Fitting; 1/2" To 3/8"
28	140-495	1	Seal Retainer (8118 Front) Mtg Hrd: 1/2" x 1 1/2"B,FW(10 ea),LN(5 ea)
	140-496	1	Seal Retainer (8118 Rear) Mtg Hrd:1/2" x 1 1/2"B,FW(10 ea), LN(5 ea)
	142-025	1	Seal Retainer (8124 Front) Mtg Hrd: 1/2" x 1 1/2"B,FW(10 ea),LN(5 ea)
	142-026	1	Seal Retainer (8124 Rear) Mtg Hrd:1/2" x 1 1/2"B,FW(10 ea), LN(5 ea)
29	140-878	2	U- Bolt; Mtg Hrd: 5/16" FLN, (2 ea)
30	140-879	2	Hold Down Pivot Bar

\* Sold by Linear Foot

**CV Driveline and Torque Disconnect (540 RPM - 6 Spline - 1-3/8" Yoke)**

REF	PART NO	QTY	DESCRIPTION
	175-492	1	PTO Assembly
1	175-561	1	PTO Half Shaft Assembly
2	172-200	1	Yoke, 1-3/8", 6 Spline
3	172-028	1	Slide Lock Repair Kit
4	172-204	1	Cross and Bearing Kit
5	172-205	1	CV Cone and Bearing Assy
6	172-202	1	Double Yoke
7	172-208	1	Zerk
8	174-960	1	Cross and Bearing Kit
9	172-206	1	Shield Cone, 3 Rib
10	171-983	1	Spring Pin 10x80
11	172-209	1	Zerk
12	172-207	1	Support Bearing
13	175-602	1	Profile and Sleeve WA
14	174-958	1	Inner Shield Tube (Round)
15	171-799	1	Decal, Danger Shield Missing (Inner)
16	175-564	1	PTO Half Shaft Assy w/Clutch
17	176-154	1	Clutch Assembly
	174-966	1	CC Lock Assy
18	171-980	1	Cross and Bearing Kit
19	175-603	1	Overrunning Clutch and Profile Assy
20	174-959	1	Shield Cone, 8 Rib
21	171-979	2	Bearing Ring
22	172-210	8	Screw
23	172-227	1	Lubrication Decal
24	171-550	1	Decal, Danger Rotating Driveline (Outer)
25	172-040	1	Safety Chain
26	174-957	1	Outer Shield Tube (Oval)
27	175-604	1	Shaft (Lemon Shaped)

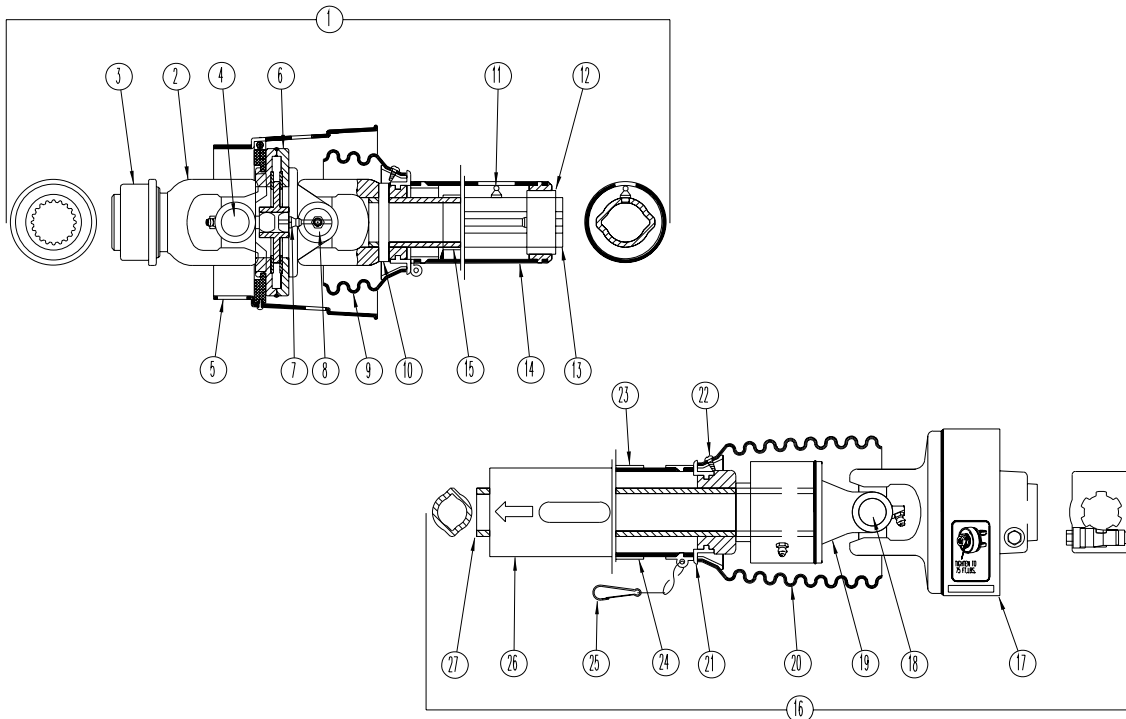
## CV Driveline and Torque Disconnect (1000 RPM - 21 Spline - 1-3/8" Yoke)



REF	PART NO	QTY	DESCRIPTION
	175-493	1	PTO Assembly
1	175-562	1	PTO Half Shaft Assembly
2	172-203	1	Yoke, 1-3/8", 21 Spline
3	172-028	1	Slide Lock Repair Kit
4	172-204	1	Cross and Bearing Kit
5	172-205	1	CV Cone and Bearing Assy
6	172-202	1	Double Yoke
7	172-208	1	Zerk
8	174-960	1	Cross and Bearing Kit
9	172-206	1	Shield Cone, 3 Rib
10	171-983	1	Spring Pin 10x80
11	172-209	1	Zerk
12	172-207	1	Support Bearing
13	175-602	1	Profile and Sleeve WA
14	174-958	1	Inner Shield Tube (Round)
15	171-799	1	Decal, Danger Shield Missing (Inner)
16	175-565	1	PTO Half Shaft Assy w/Clutch
17	174-963	1	Clutch Assembly
	174-966	1	CC Lock Assy
18	171-980	1	Cross and Bearing Kit
19	175-603	1	Overrunning Clutch and Profile Assy
20	174-959	1	Shield Cone, 8 Rib
21	171-979	2	Bearing Ring
22	172-210	8	Screw
23	172-227	1	Lubrication Decal
24	171-550	1	Decal, Danger Rotating Driveline (Outer)
25	172-040	1	Safety Chain
26	174-957	1	Outer Shield Tube (Oval)
27	175-604	1	Shaft (Lemon Shaped)

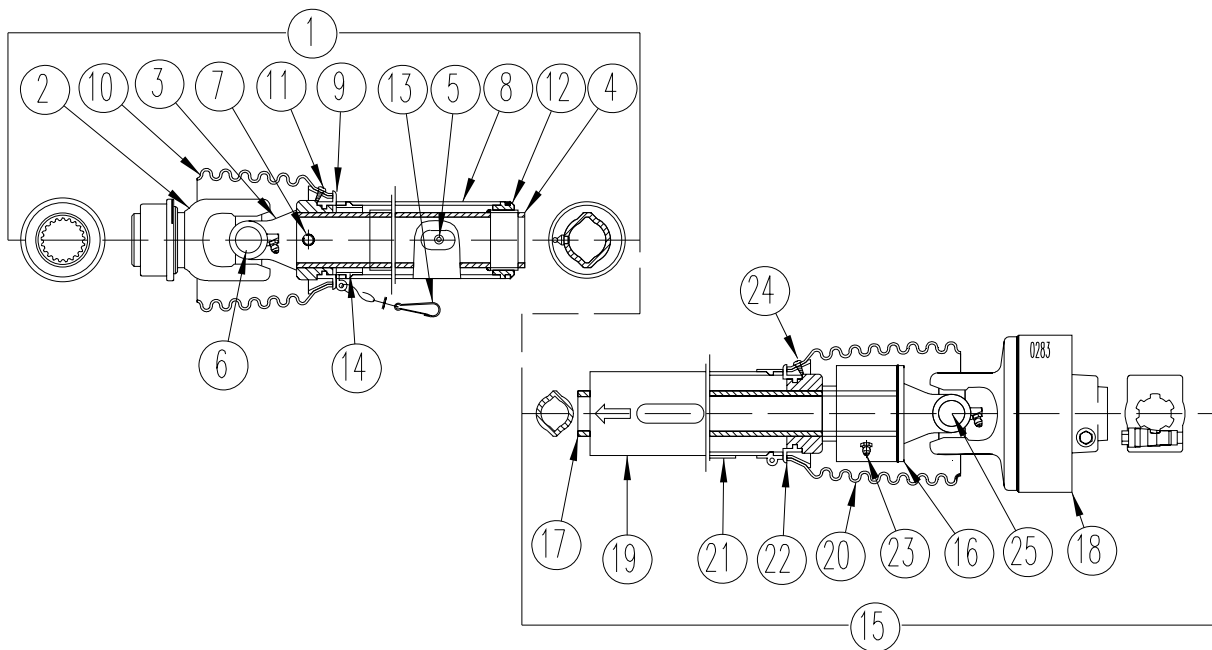
**Kuhn North America, Inc.**

1501 West 7th Ave., Brodhead, WI 53520

**CV Driveline and Torque Disconnect (1000 RPM - 20 Spline - 1-3/4" Yoke)**

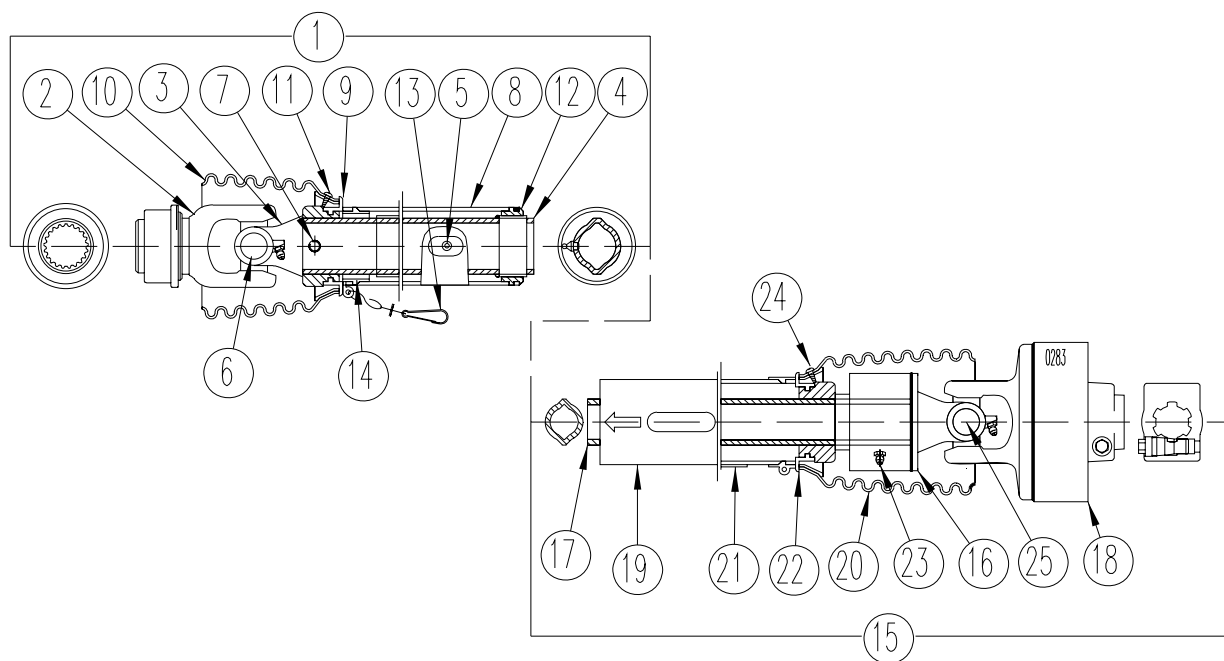
REF	PART NO	QTY	DESCRIPTION
	175-494	1	PTO Assembly
1	175-563	1	PTO Half Shaft Assembly
2	172-224	1	Yoke, 1-3/4", 20 Spline
3	174-967	1	Slide Lock Repair Kit
4	172-204	1	Cross and Bearing Kit
5	172-205	1	CV Cone and Bearing Assy
6	172-202	1	Double Yoke
7	172-208	1	Zerk
8	174-960	1	Cross and Bearing Kit
9	172-206	1	Shield Cone, 3 Rib
10	171-983	1	Spring Pin 10x80
11	172-209	1	Zerk
12	172-207	1	Support Bearing
13	175-602	1	Profile and Sleeve WA
14	174-958	1	Inner Shield Tube (Round)
15	171-799	1	Decal, Danger Shield Missing (Inner)
16	175-565	1	PTO Half Shaft Assy w/Clutch
17	174-963	1	Clutch Assembly
	174-966	1	CC Lock Assy
18	171-980	1	Cross and Bearing Kit
19	175-603	1	Overrunning Clutch and Profile Assy
20	174-959	1	Shield Cone, 8 Rib
21	171-979	2	Bearing Ring
22	172-210	8	Screw
23	172-227	1	Lubrication Decal
24	171-550	1	Decal, Danger Rotating Driveline (Outer)
25	172-040	1	Safety Chain
26	174-957	1	Outer Shield Tube (Oval)
27	175-604	1	Shaft (Lemon Shaped)

## Driveline and Torque Disconnect *non-cv* (540 RPM - 6 Spline - 1-3/8" Yoke)



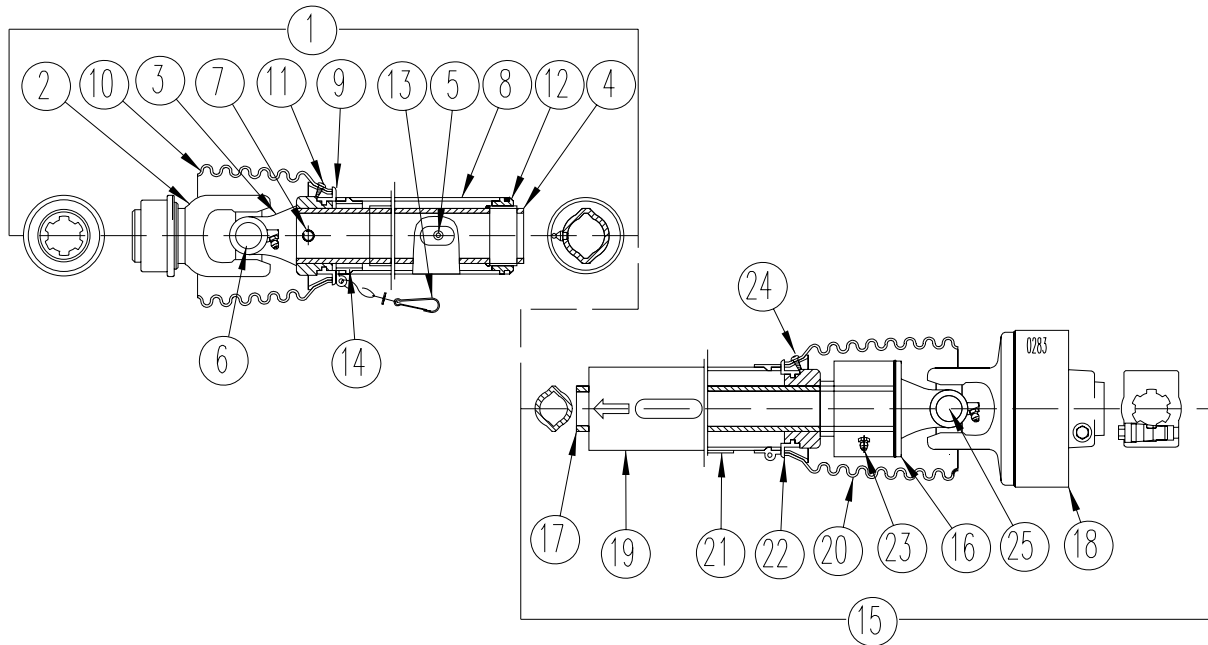
REF	PART NUMBER	QTY	DESCRIPTION
	174-877	1	PTO Assy, W2400, 540 RPM
1	174-973	1	Front Half Assy, Outer Profile W/ Guard 1 3/8 - 6 Spline (tube)
2	172-034	1	Yoke 1 3/8 - 6 Spline
	172-028	1	Lock Collar Repair Kit
3	172-033	1	Inboard Yoke
4	174-961	1	Outer Profile & Sleeve
5	172-209	1	Zerk
6	171-980	1	Cross and Bearing Kit
7	171-983	1	Spring Pin, 10 x 80
8	174-965	1	Inner Shield
9	171-979	1	Bearing Ring
10	172-030	1	Shield Cone 6 Rib
11	172-210	1	Screw
12	172-207	1	Support Bearing
13	172-040	1	Safety Chain
14	171-799	1	Decal
15	174-974	1	Rear Half Assy, Half Cut-Out Clutch W/ Guard (shaft)
16	174-962	1	Overrunning Clutch & Inner Profile Assy
17	174-968	1	Inner Profile
18	176-154	1	Cut-Out Clutch
	174-966	1	Lock Bolt, Torqued to 75 Ft. Lbs. (17mm 6pt socket required)
19	174-964	1	Outer Shield
20	174-959	1	Shield Cone 8 Rib
21	171-550	1	Decal
22	171-979	1	Bearing Ring
23	172-208	1	Zerk
24	172-210	1	Screw
25	171-980	1	Cross and Bearing Kit

### Driveline and Torque Disconnect *non-cv* (1000 RPM - 21 Spline - 1-3/8" Yoke)



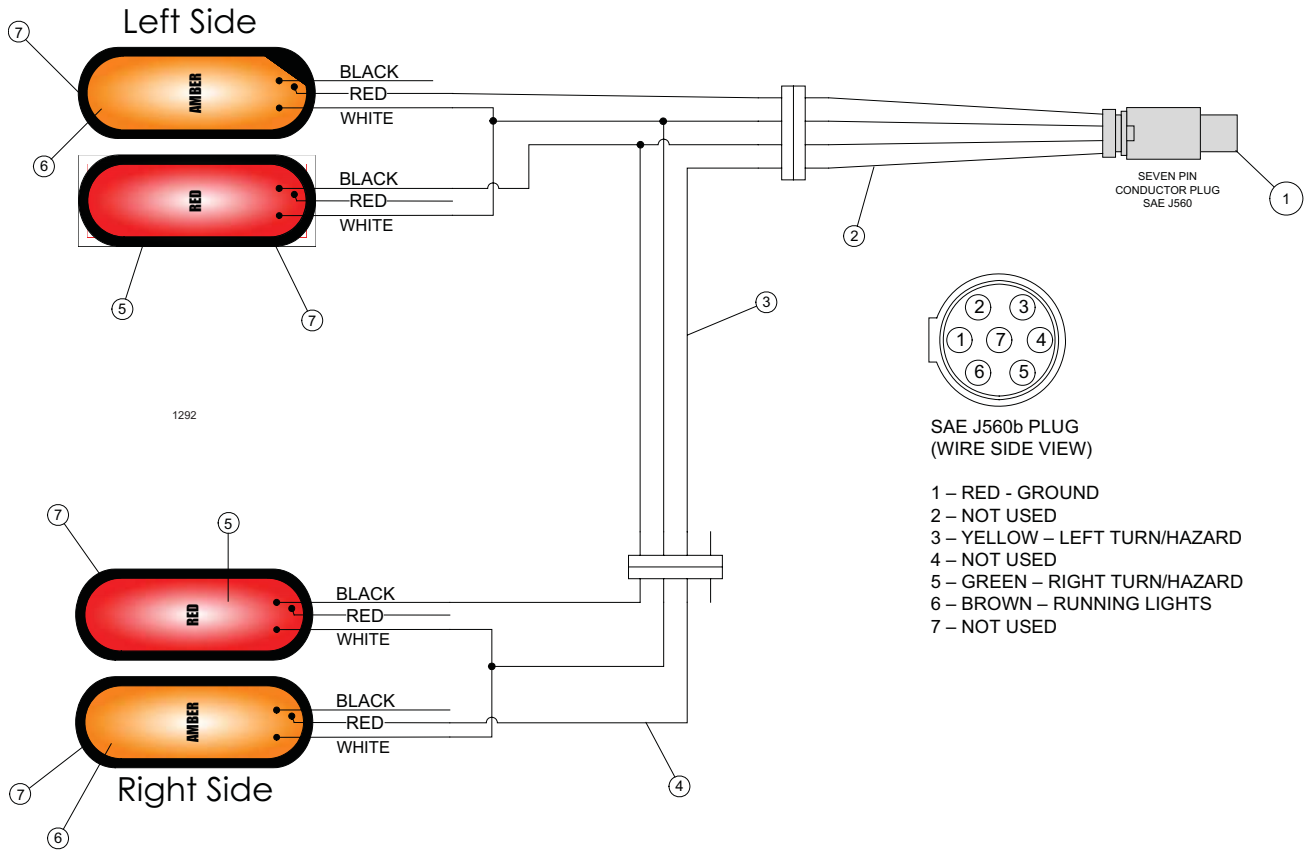
REF	PART NUMBER	QTY	DESCRIPTION
	174-878	1	PTO Assy, W2400, 1000 RPM
1	174-975	1	Front Half Assy, Outer Profile W/ Guard 1 3/8 - 21 Spline (tube)
2	173-757	1	Yoke 1 3/8 - 21 Spline
	172-028	1	Lock Collar Repair Kit
3	172-033	1	Inboard Yoke
4	174-961	1	Outer Profile & Sleeve
5	172-209	1	Zerk
6	171-980	1	Cross and Bearing Kit
7	171-983	1	Spring Pin, 10 x 80
8	174-965	1	Inner Shield
9	171-979	1	Bearing Ring
10	172-030	1	Shield Cone 6 Rib
11	172-210	1	Screw
12	172-207	1	Support Bearing
13	172-040	1	Safety Chain
14	171-799	1	Decal
15	174-976	1	Rear Half Assy, Half Cut-Out Clutch W/ Guard (shaft)
16	174-962	1	Overrunning Clutch & Inner Profile Assy
17	174-968	1	Inner Profile
18	174-963	1	Cut-Out Clutch
	174-966	1	Lock Bolt, Torqued to 75 Ft. Lbs. (17mm 6pt socket required)
19	174-964	1	Outer Shield
20	174-959	1	Shield Cone 8 Rib
21	171-550	1	Decal
22	171-979	1	Bearing Ring
23	172-208	1	Zerk
24	172-210	1	Screw
25	171-980	1	Cross and Bearing Kit

## Driveline and Torque Disconnect *non-cv* (1000 RPM - 20 Spline - 1-3/4" Yoke)



REF	PART NUMBER	QTY	DESCRIPTION
	174-879	1	PTO, Assy, W2400, 1000 RPM
1	174-977	1	Front Half Assy, Outer Profile W/ Guard 1 3/4 - 20 Spline (tube)
2	173-791	1	Yoke 1 3/4 - 20 Spline
	174-967	1	Lock Collar Repair Kit
3	172-033	1	Inboard Yoke
4	174-961	1	Outer Profile & Sleeve
5	172-209	1	Zerk
6	171-980	1	Cross and Bearing Kit
7	171-983	1	Spring Pin, 10 x 80
8	174-965	1	Inner Shield
9	171-979	1	Bearing Ring
10	172-030	1	Shield Cone 6 Rib
11	172-210	1	Screw
12	172-207	1	Support Bearing
13	172-040	1	Safety Chain
14	171-799	1	Decal
15	174-976	1	Rear Half Assy, Half Cut-Out Clutch W/ Guard (shaft)
16	174-962	1	Overrunning Clutch & Inner Profile Assy.
17	174-968	1	Inner Profile
18	174-963	1	Cut-Out Clutch
	174-966	1	Lock Bolt, Torqued to 75 Ft. Lbs. (17mm 6pt socket required)
19	174-964	1	Outer Shield
20	174-959	1	Shield Cone 8 Rib
21	171-550	1	Decal
22	171-979	1	Bearing Ring
23	172-208	1	Zerk
24	172-210	1	Screw
25	171-980	1	Cross and Bearing Kit

## Light Kit



REF	PART NO	QTY	DESCRIPTION
1	172-110	1	7 Pin Connector (SAE J560B)
2	174-775	1	Main Harness
3	176-848	1	LH Harness
4	177-480	1	RH Harness
5	174-674	2	Light, Red
6	174-673	2	Light, Amber
7	174-725	4	Grommet

## Decal and Paint List

### Unit Decals

PART NO	QTY	DESCRIPTION
177-671	1	Complete Set of Decals <b>(8118) (Kuhn Wave Decals)</b>
177-673	1	Complete Set of Decals <b>(8124) (Kuhn Wave Decals)</b>
170-490	1	Engage PTO Slowly
170-849	2	Warning...Beware Of Power Driven Parts
170-893	1	Slow Moving Vehicle Sign
171-712	1	Retighten Set Screws
171-820	4	Danger... Rotating Auger
171-821	2	Danger...Material Discharges
171-913	1	Warning...Do Not Operate
171-915	2	Danger...Shield Missing
174-686	2	Red Reflector
174-687	2	Amber Reflector
172-171	1	Caution...Read Operators Manual
172-759	1	U.S. Patent Decal
177-355	1	8118-8124 <b>(Kuhn Wave Decal LH)</b>
177-360	1	8118-8124 <b>(Kuhn Wave Decal RH)</b>
176-252	1	Front Logo Decal <b>(8118-8124)</b>
176-251	1	Rear Logo Decal <b>(8118)</b>
176-252	1	Rear Logo Decal <b>(8124)</b>
177-493	2	Model Name <b>(8118-8124)</b>
177-146	2	Model Number <b>(8118)</b>
177-417	2	Model Number <b>(8124)</b>
177-503	2	Protwin Decal <b>(8118-8124)</b>
172-820	1	Caution...Lifting Instructions
172-883	1	Oil Level Plug
173-040	1	Caution...PTO Operation

### Lid Decals

PART NO	QTY	DESCRIPTION
172-821	1	Decal; Caution - Do Not Lift Here
172-599	1	Decal; Danger - Overhead Wires
172-787	2	Decal; Warning - Crushing Under Top.. <b>(Front &amp; Rear)</b>

### Non Current Decals

175-889	1	Complete Set of Decals <b>(8118) (Used after 10/15/2004)</b>
175-323	1	Complete Set of Decals <b>(8118) (Used before 10/15/2004)</b>
175-890	1	Complete Set of Decals <b>(8124) (Used after 10/15/2004)</b>
175-324	1	Complete Set of Decals <b>(8124) (Used before 10/15/2004)</b>
175-838	2	"8118" (8118 only) <b>(Used after 10/15/2004)</b>
175-281	2	"8118" (8118 only) <b>(Used before 10/15/2004)</b>
175-839	2	"8124" (8124 only) <b>(Used after 10/15/2004)</b>
175-282	2	"8124" (8124 only) <b>(Used before 10/15/2004)</b>
175-848	2	"PROTWIN SINGER" w/Stripe <b>(Used after 10/15/2004)</b>
174-720	2	"KUHNNIGHT PROTWIN SLINGER" <b>(Used before 10/15/2004)</b>
175-800	4	"KUHNNIGHT" Logo <b>(Used after 10/15/2004)</b>
174-514	1	Kuhn Knight Logo <b>(Used before 10/15/2004)</b>

### Paint

177-251	Sierra Gold - Aerosol Can
177-250	Sierra Gold - Quart Can
177-249	Sierra Gold - Gallon Can

### Safety Chain For Towed Equipment

PART NO 172-041

This chain is designed to retain the connection between the towing and towed machines in the event of separation of the primary attaching system. It should be used whenever the unit is transported on the highway.

## Hardware Part Number List

### HEX HEAD BOLTS

Size	Part No
1/4 x 1/2	173-279
1/4 x 3/4	170-803
1/4 x 7/8	171-094
1/4 x 1	170-310
1/4 x 1-1/2	170-068
1/4 x 2	172-986
1/4 x 2 (Grade 8)	175-073
1/4 x 2-3/4	171-203
1/4 x 3	171-403
1/4 x 3-1/2	173-640
1/4 x 4	173-505
5/16 x 5/8	170-532
5/16 x 3/4	170-262
5/16 x 3/4 (Stainless steel)	174-787
5/16 x 7/8	170-256
5/16 x 1	170-027
5/16 x 1-1/4 (Full thread)	170-188
5/16 x 1-1/2	170-372
5/16 x 1-3/4	170-263
5/16 x 2	172-987
5/16 x 2-1/2	170-369
5/16 x 3	170-295
5/16 x 3-1/4	171-639
5/16 x 3-1/2	173-748
5/16 x 4	170-293
5/16 x 4-1/2	170-294
5/16 x 5 (Grade 8)	172-983
5/16 x 5-1/2 (Grade 8)	172-952
3/8 x 3/4	170-439
3/8 x 3/4 (Stainless steel)	174-788
3/8 x 7/8	170-268
3/8 x 1	170-054
3/8 x 1-1/4	170-005
3/8 x 1-1/4 (Stainless steel)	174-917
3/8 x 1-1/2	170-368
3/8 x 1-3/4	172-383
3/8 x 2	170-245
3/8 x 2-1/4	170-320
3/8 x 2-1/2	170-257
3/8 x 2-1/2 (Full thread)	170-128
3/8 x 2-1/2 (Lag)	171-775
3/8 x 3	170-380
3/8 x 3-1/2	170-292
3/8 x 4	170-877
3/8 x 4-1/4 (Black oxide)	171-813
3/8 x 4-1/2	170-519
3/8 x 5	170-493
3/8 x 5-1/2	174-196
3/8 x 5-1/2 (Full thread)	170-593
3/8 x 6	174-304
3/8 x 6-1/2	171-291
3/8 x 7	172-587
7/16 x 3/4	170-265
7/16 x 1	170-032
7/16 x 1-1/4	170-354
7/16 x 1-1/4 (Grade 8)	174-216
7/16 x 1-1/2	170-059
7/16 x 2	170-356
7/16 x 2-1/2	170-379
7/16 x 3	170-270
7/16 x 5-1/2	170-377
7/16 x 6	170-378
1/2 x 3/4	171-252
1/2 x 1	170-149
1/2 x 1-1/4	170-373
1/2 x 1-1/2	170-002

1/2 x 1-1/2 (Grade 8)	172-951
1/2 x 1-3/4	171-774
1/2 x 2	171-802
1/2 x 2-1/4	172-387
1/2 x 2-1/2	170-885
1/2 x 2-1/2 (Full thread)	171-099
1/2 x 2-3/4	172-007
1/2 x 3	170-168
1/2 x 3-1/2	170-167
1/2 x 3-1/2 (Grade 8)	172-950
1/2 x 4	173-111
1/2 x 4 (Full thread)	171-509
1/2 x 4-1/2	175-920
1/2 x 4-1/2 (Grade 8)	171-573
1/2 x 5	171-412
1/2 x 6	173-506
1/2 x 6 (Grade 8)	174-944
1/2 x 6-1/2	173-711
1/2 x 7	174-328
1/2 x 7-1/2	175-107
1/2 x 8-1/2	170-504
1/2 x 11	170-506
9/16 x 1	173-699
9/16 x 1-1/4	173-700
9/16 x 1-1/2	173-701
9/16 x 2	172-219
5/8 x 1	171-087
5/8 x 1-1/4	171-366
5/8 x 1-1/2	170-153
5/8 x 1-3/4 (Full thread)	170-030
5/8 x 2	170-009
5/8 x 2 (Full thread)	171-772
5/8 x 2-1/4	173-009
5/8 x 2-1/2	172-381
5/8 x 2-1/2 (Full thread)	170-129
5/8 x 2-3/4	172-356
5/8 x 3	170-258
5/8 x 3-1/2	170-038
5/8 x 4	170-371
5/8 x 4-1/2	170-067
5/8 x 5	170-065
5/8 x 5-1/2	172-421
5/8 x 6	170-381
5/8 x 6-1/2	173-777
5/8 x 7-1/2	173-019
5/8 x 9-1/2	171-039
3/4 x 1-1/2	173-507
3/4 x 2	171-768
3/4 x 2 (Full thread)	170-058
3/4 x 2 (Grade 8)	171-877
3/4 x 2-1/4	171-275
3/4 x 2-1/2	170-374
3/4 x 2-1/2 (Grade 8)	175-055
3/4 x 3	170-014
3/4 x 3 UNF	173-776
3/4 x 3-1/2	170-195
3/4 x 3-1/2 (Grade 8)	171-899
3/4 x 4	170-419
3/4 x 4 (Grade 8) UNF	173-579
3/4 x 4-1/2	170-846
3/4 x 4-1/2 (Grade 8)	173-039
3/4 x 4-1/2 (Grade 8) UNF	173-588
3/4 x 5	173-508
3/4 x 5 UNF	173-510
3/4 x 5-1/2 (Grade 8) UNF	173-514
3/4 x 6	171-116
3/4 x 6 UNF	173-511
3/4 x 6 (Grade 8)	173-231

3/4 x 6 1/2	176-148
3/4 x 7	173-745
3/4 x 7 UNF	173-747
3/4 x 7-1/2	175-004
3/4 x 8	173-509
7/8 x 2-1/4	172-892
7/8 x 2-1/2	175-633
7/8 x 3	172-002
7/8 x 3-1/2	173-020
7/8 x 4	173-299
7/8 x 4-1/2	175-953
7/8 x 4 UNF	171-092
7/8 x 6-1/2	173-774
7/8 x 7	173-749
7/8 x 7 UNF	174-097
7/8 x 8	173-750
7/8 x 8 UNF	173-515
1 x 3-1/2	173-021
1 x 4	175-119
1 x 4 (Grade 8)	175-248
1 x 7 UNF	173-516
1 x 8	174-723
1 x 8 (grade 8) UNF	173-713
1-1/4 x 4-1/2 (grade 8)	175-003
M8 x 16MM (Grade 8.8)	174-610
M8 x 20MM (Grade 8.8)	175-193
M8 x 25MM (Grade 8.8)	174-900
M10 x 22MM (Grade 8.8)	175-016
M10 x 25MM (Grade 8.8)	173-344
M12 x 25MM (Grade 8.8)	171-566
M12 x 35MM (Grade 8.8)	175-020
M12 x 40MM (Grade 12.9)	175-190
M12 x 45MM (Grade 10.9)	174-911
M14 x 30MM (Grade 8.8)	173-518
M16 x 40MM (Grade 8.8)	175-631
M16 x 44MM (Grade 8.8)	175-634
<b>SOCKET HEAD CAP SCREW</b>	
3/8 x 7/8	172-044
1/2 x 2-1/2	175-921
<b>SELF TAPPING SCREW</b>	
1/4 x 3/4	174-874
<b>CARRIAGE BOLTS</b>	
1/4 x 1-1/4 (Grade 2)	170-311
1/4 x 1-1/2 (Grade 2)	170-355
1/4 x 2 (Grade 2)	170-299
1/4 x 2-1/2 (Grade 2)	171-394
1/4 x 2-3/4 (Grade 2)	170-508
1/4 x 3	170-509
5/16 x 1 (Grade 2)	170-370
5/16 x 1-1/2 (Grade 2)	170-296
5/16 x 2-1/2 (Grade 2)	171-395
5/16 x 5-1/2 (Grade 2)	170-494
3/8 x 3-1/2 (Grade 2)	171-283
3/8 x 4-1/2 (Grade 2)	170-191
3/8 x 5 (Grade 2)	170-495
3/8 x 6-1/2 (Grade 2)	171-174
3/8 x 8 (Grade 2)	170-297
3/8 x 13 (Grade 2)	170-298
3/8 x 13-1/2 (Grade 2)	170-300
1/2 x 1-1/2 (Grade 5)	174-918
1/2 x 6-1/2 (Grade 2)	171-098
1/2 x 9 (Grade 2)	171-255
5/8 x 2	175-110
5/8 x 2-1/2 (Grade 5)	174-790
<b>PLOW BOLTS</b>	
5/8 x 2	174-767
3/4 x 2-1/2	174-948

## Hardware Part Number List

### TRUSS HEAD BOLTS

#6-32 x 3/4	172-416
#6-32 x 1	173-079
#8-32 x 1-1/2	171-210
#10-32 x 3/4	171-604
#10-32 x 1	172-882
1/4 x 3/4	170-193
1/4 x 1	170-194
5/16 x 1	170-117

### SET SCREWS (Socket Head)(Cup Point)

1/4 x 1/4	170-247
1/4 x 5/8	172-985
5/16 x 1/4	170-993
5/16 x 5/16	170-248
5/16 x 5/16 UNF	170-825
5/16 x 3/8 UNF	173-367
5/16 x 1/2	170-254
5/16 x 5/8 UNF	170-456
5/16 x 1 (Sq hd)	173-610
5/16 x 1-1/2	172-917
3/8 x 1/4	170-856
3/8 x 3/8	170-151
3/8 x 1/2	170-857
3/8 x 1/2 UNF	171-469
3/8 x 3/4	174-190
3/8 x 3/4 (Sq hd)	170-290
3/8 x 1	170-021
3/8 x 1 (Sq hd)	173-609
3/8 x 1 (Sq hd) (Dog pt)	171-551
7/16 x 7/16	170-288
7/16 x 1 (Sq hd)	170-147
1/2 x 5/8	170-249
1/2 x 1	170-438
1/2 x 1-1/4 (half dog point)	171-085
5/8 x 5/8	170-250
3/4 x 3/4 (Sq hd) (Dog pt)	170-251

### HEX NUTS

#6-32	172-418
#10-32	171-606
1/4	170-125
5/16	170-119
3/8	170-007
7/16	170-062
7/16 (Grade 8) UNF	174-217
1/2	170-004
9/16	173-702
5/8	170-011
3/4	170-017
3/4 UNF	170-159
3/4 (Grade 8) UNF	173-520
7/8	171-776
1	173-022
1 UNF	173-714
1 (Grade 8)	175-247
1 (Grade 8) UNF	173-519
1-1/8 UNF	174-095
1-1/4 UNF	170-130
1-1/4 (Grade 8)	175-006
M8 x 1.25MM	172-949
M30 x 1.5MM	174-902
M50 x 1.5MM	175-200

### LOCK NUTS

#6-32	174-188
#10-32	174-073
1/4	170-069
5/16	170-137

3/8	170-047
7/16	170-239
1/2	170-042
1/2 UNF	170-566
1/2 (Grade 8)	171-671
9/16	172-220
5/8	170-031
3/4	170-185
3/4 (Grade 8)	171-900
3/4 (Grade 8) UNF	173-578
7/8	173-069
7/8 UNF	171-093
1	174-928
1 UNF	170-527
M45 x 1.5MM	175-199
M50 x 1.5MM	175-197

### JAM NUTS

1/4UNF	171-386
5/16	173-521
3/8	170-022
7/16	170-046
1/2	170-036
1/2 Lock	174-063
5/8	170-037
3/4	170-035
1	174-927

### FLAT WASHERS

#10	171-525
1/4	170-301
1/4 Heavy	171-083
1/4 Fender	173-672
5/16	170-127
5/16 Fender	173-811
3/8	170-244
3/8 Heavy	170-302
3/8 Aluminum	173-900
7/16	170-138
1/2	170-040
1/2 (Grade 8)	172-984
9/16	173-693
5/8	170-066
5/8 (Grade 8)	173-581
3/4	170-015
7/8	173-298
7/8 Heavy	170-131
1	170-122
1-1/4	170-928

### LOCK WASHERS

#6	172-417
#10	171-605
1/4	170-124
5/16	170-118
3/8	170-006
7/16	170-061
1/2	170-003
9/16	173-692
5/8	170-010
3/4	170-016
3/4 External Tooth	174-793
7/8	172-003
1	171-021
1-1/4	175-005

### ZERKS

1/8 NPT	170-865
---------	---------

1/8 NPT-45 Deg	170-864
1/8 NPT-65 Deg	170-215
1/8 NPT-90 Deg	170-866
3/16 drive in	174-124
1/4-28	170-023
1/4-28 - 45 Deg	170-148
1/4-28 - 90 Deg	170-049
1/4 NPT	170-277
1/4 NPT - 45 Deg	174-130

### COTTER PINS

1/16 x 1/2	170-992
3/32 x 3/4	170-364
1/8 x 1	170-045
1/8 x 1-1/4	170-033
1/8 x 1-1/2	170-382
5/32 x 1	170-421
5/32 x 1-1/2	170-236
5/32 x 3	170-135
3/16 x 1-1/4	170-991
3/16 x 2	170-115
1/4 x 1-1/2	170-521
1/4 x 2	170-056
1/4 x 2-1/2	173-961

### ROLLER CHAIN

#### CONNECTOR LINKS

#50	170-088
#50-2R	170-094
#60	170-089
#60-2R	170-095
#60H	171-102
#80	170-090
#80H	170-821
#80-2R	176-134
#100	170-091
#100H	171-969
#120	170-092
#140	170-093
#140H	173-552
#160	170-888

#### OFFSET LINKS

#50	170-096
#50-2R	170-102
#60	170-097
#60-2R	170-103
#60H	171-103
#80	170-098
#80H	170-820
#80-2R	176-135
#100	170-099
#100H	172-145
#120	170-100
#140	170-101
#140H	173-553
#160	170-887

#### ROLLER LINKS

#50	171-415
#60	171-416
#80	171-417
#80H	170-795
#100	171-418
#100H	172-146
#120	171-419
#140	171-420
#160	171-421

## Part Number Index

101-598 ...5	134-460 ...11, 13	142-032 ...23	171-585 ...7
101-613 ...15, 17	134-461 ...7	142-035 ...23	171-586 ...11, 13
101-637 ...5	134-481 ...19, 21	142-064 ...5	171-607 ...7
101-643 ...17	134-649 ...11, 13	142-068 ...17	171-610 ...5
101-644 ...17	134-670 ...7	142-082 ...11, 13	171-611 ...5
101-645 ...17	134-675 ...9	143-560 ...25	171-612 ...5
101-646 ...17	134-792 ...7	144-763 ...11, 13	171-613 ...5
101-761 ...9	134-831 ...11, 13	145-477 ...5	171-614 ...5
101-911 ...9, 19, 21	134-842 ...7	170-002 ...11, 13	171-615 ...5
101-986 ...11, 13	134-846 ...11, 13	170-008 ...7, 11, 13	171-653 ...15, 17
101-988 ...11, 13	134-874 ...11, 13	170-028 ...5	171-696 ...11, 13
102-073 ...25, 27	134-875 ...11, 13	170-031 ...11, 13	171-712 ...35
102-205 ...19	134-889 ...9	170-037 ...11, 13	171-769 ...7
102-207 ...19, 21	134-892 ...19, 21	170-042 ...11, 13	171-774 ...11, 13
102-208 ...11, 13	134-893 ...19, 21	170-045 ...25, 27	171-780 ...15
102-212 ...7	134-899 ...11, 13	170-053 ...7	171-799
102-213 ...19, 21	134-902 ...11, 13	170-056 ...15, 17	...28, 29, 30, 31, 32, 33
102-214 ...19, 21	135-539 ...7	170-066 ...11, 13	171-809 ...17
102-215 ...7	135-540 ...7	170-073 ...11, 13	171-810 ...17
102-216 ...23	135-541 ...7	170-074 ...11, 13	171-814 ...5
102-224 ...19	135-550 ...19, 21	170-075 ...13, 27	171-815 ...17
102-225 ...19, 21	135-551 ...7	170-122 ...11, 13, 27	171-820 ...35
102-226 ...19, 21	135-555 ...23	170-152 ...19, 21	171-821 ...35
102-235 ...23	135-596 ...19, 21	170-161 ...27	171-823 ...17
102-238 ...23	135-597 ...19, 21	170-168 ...19, 21	171-824 ...17
102-240 ...23	135-598 ...7	170-185 ...5	171-825 ...15, 17
102-241 ...23	135-607 ...9	170-233 ...27	171-826 ...17
102-515 ...15	135-608 ...11, 13	170-235 ...27	171-827 ...15, 17
102-516 ...15	135-611 ...19, 21	170-236 ...11, 13, 15, 17	171-828 ...17
102-517 ...15	135-612 ...19, 21	170-244 ...5, 19, 21	171-829 ...15, 17
102-518 ...15	135-613 ...7	170-262 ...5	171-830 ...15, 17
102-519 ...23	135-614 ...7	170-374 ...5	171-831 ...17
102-520 ...23	136-260 ...7	170-464 ...13	171-832 ...15, 17
102-521 ...23	136-284 ...19, 21	170-466 ...27	171-833 ...15, 17
103-517 ...23	136-285 ...19, 21	170-490 ...35	171-913 ...35
103-622 ...11, 13	136-286 ...7	170-499 ...7	171-915 ...35
103-762 ...25, 27	136-342 ...7, 9	170-518 ...9	171-919 ...9
103-768 ...25, 27	136-495 ...11, 13	170-800 ...9	171-934 ...19, 21
104-034 ...25, 27	136-716 ...23	170-835 ...7, 11, 13	171-935 ...5, 19, 21
104-038 ...5	136-717 ...23	170-845 ...9	171-968 ...19, 21
104-041 ...11, 13	136-979 ...23	170-849 ...35	171-979
104-044 ...25, 27	136-989 ...15	170-865	...28, 29, 30, 31, 32, 33
104-179 ...5	140-468 ...25	...5, 15, 17, 19, 21	171-980
105-207 ...5	140-495 ...25, 27	170-893 ...35	...28, 29, 30, 31, 32, 33
105-208 ...5	140-496 ...25, 27	170-950 ...19, 21	171-983
105-248 ...21	140-497 ...25, 27	170-952 ...19, 21	...28, 29, 30, 31, 32, 33
105-249 ...21	140-863 ...25, 27	170-992 ...19, 21	171-989 ...19, 21
130-128 ...7	140-871 ...25, 27	171-030 ...11, 27	171-998 ...27
130-175 ...7	140-878 ...25, 27	171-045 ...9	172-005 ...9
132-678 ...7	140-879 ...25, 27	171-068 ...11	172-024 ...5, 19, 21
133-277 ...11, 13	141-275 ...23	171-137 ...19, 21	172-028
133-288 ...11, 13	141-276 ...23	171-251 ...27	...28, 29, 30, 31, 32
133-476 ...7	142-003 ...11, 13	171-252 ...9	172-030 ...31, 32, 33
133-530 ...7	142-023 ...25, 27	171-309 ...11	172-033 ...31, 32, 33
133-565 ...15, 17	142-025 ...25, 27	171-393 ...5	172-034 ...31
133-637 ...11, 13	142-026 ...25, 27	171-442 ...27	172-040
134-086 ...9	142-027 ...23	171-460 ...27	...28, 29, 30, 31, 32, 33
134-155 ...9, 19, 21	142-028 ...23	171-550	172-041 ...35
134-459 ...7	142-031 ...23	...28, 29, 30, 31, 32, 33	172-046 ...19, 21

## Part Number Index

172-110 ...34	173-275 ...11, 13	175-536 ...11
172-171 ...35	173-373 ...15	175-561 ...28
172-200 ...28	173-493 ...11	175-562 ...29
172-202 ...28, 29, 30	173-757 ...32	175-563 ...30
172-203 ...29	173-791 ...33	175-564 ...28
172-204 ...28, 29, 30	174-514 ...35	175-565 ...29, 30
172-205 ...28, 29, 30	174-581 ...15	175-602 ...28, 29, 30
172-206 ...28, 29, 30	174-582 ...15	175-603 ...28, 29, 30
172-207	174-583 ...15	175-604 ...28, 29, 30
...28, 29, 30, 31, 32, 33	174-584 ...15	175-673 ...13, 25
172-208	174-585 ...15	175-675 ...13, 25
...28, 29, 30, 31, 32, 33	174-586 ...15	175-687 ...13, 25
172-209	174-587 ...15	175-688 ...25
...28, 29, 30, 31, 32, 33	174-673 ...34	175-689 ...13
172-210	174-674 ...34	175-691 ...13
...28, 29, 30, 31, 32, 33	174-686 ...35	175-726 ...13
172-224 ...30	174-687 ...35	175-728 ...25
172-227 ...28, 29, 30	174-720 ...35	175-800 ...35
172-229 ...15, 17	174-725 ...34	175-838 ...35
172-285 ...15	174-775 ...34	175-839 ...35
172-381 ...13	174-848 ...25, 27	175-848 ...35
172-421 ...11, 13	174-849 ...25, 27	175-857 ...25
172-422 ...11, 13	174-877 ...31	175-889 ...35
172-482 ...17	174-878 ...32	175-890 ...35
172-599 ...27, 35	174-879 ...33	175-908 ...25
172-751 ...9, 19, 21	174-957 ...28, 29, 30	175-924 ...25
172-759 ...35	174-958 ...28, 29, 30	175-925 ...13
172-772 ...11, 13	174-959	175-929 ...25
172-787 ...27, 35	...28, 29, 30, 31, 32, 33	175-932 ...25
172-794 ...27	174-960 ...28, 29, 30	175-992 ...25
172-806 ...27	174-961 ...31, 32, 33	176-141 ...13
172-807 ...27	174-962 ...31, 32, 33	176-154 ...28, 31
172-808 ...27	174-963 ...29, 30, 32, 33	176-251 ...35
172-809 ...27	174-964 ...31, 32, 33	176-252 ...35
172-820 ...35	174-965 ...31, 32, 33	176-266 ...17
172-821 ...27, 35	174-966	176-586 ...5
172-822 ...5, 19, 21	...28, 29, 30, 31, 32, 33	176-848 ...34
172-823 ...5, 19, 21	174-967 ...30, 33	176-935 ...5
172-827 ...9	174-968 ...31, 32, 33	177-146 ...35
172-828 ...9	174-973 ...31	177-249 ...35
172-829 ...9	174-974 ...31	177-250 ...35
172-830 ...9	174-975 ...32	177-251 ...35
172-831 ...9	174-976 ...32, 33	177-355 ...35
172-832 ...9	174-977 ...33	177-360 ...35
172-866 ...11, 13	175-035 ...11, 13	177-417 ...35
172-872 ...19, 21	175-221 ...5	177-480 ...34
172-873 ...19, 21	175-247 ...5	177-493 ...35
172-874 ...7	175-281 ...35	177-503 ...35
172-875 ...11, 13	175-282 ...35	177-671 ...35
172-876 ...9	175-299 ...11, 13	177-673 ...35
172-883 ...35	175-319 ...7	179-911 ...25
172-884 ...9	175-320 ...7	180-630 ...5, 19, 21
172-894 ...7	175-321 ...7	
173-027 ...5	175-323 ...35	
173-040 ...35	175-324 ...35	
173-164 ...7	175-492 ...28	
173-271 ...11	175-493 ...29	
173-273 ...11	175-494 ...30	
173-274 ...11, 13	175-535 ...7	