

Pièces de rechange

Spare parts list

Ersatzteilliste

Catalogo Pezzi di Ricambio



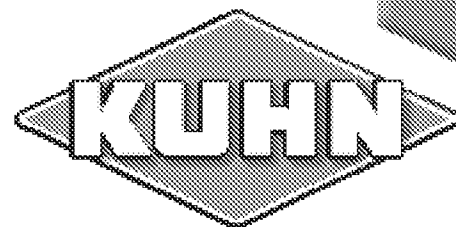
Epandeur à fumier

Manure spreader

Mistverteiler

Spandiletame

8132, 8132HF and 8140 Pro Twin Slinger Trailer





ProTwin Slinger

8132, 8132HF and 8140

Trailer Type Parts Manual

Table of Contents	
Abbreviations	4
Using This Service Parts Listing	5
Front End Parts (Serial Number G0001 and before)	6
Front End Parts (Serial Number H0001 and after)	8
Front Drive Parts	10
Front Drive Parts	12
Discharge Parts - (8132 Serial Numbers D0019 And After)	14
Discharge Parts - (8132 Model: Series A, B, C, and D0001-D0018 Serial Num- bers,	16
..... and All 8140 Models)	17
Running Gear Parts (8132 Only)	18
Running Gear Parts (8132HF Series E And After)	20
Running Gear Parts (8132HF Series D And Before And All 8140's)	22
Hydraulic Brake Parts (8132HF Series E And After)	24
Electronic Brake Parts (8132HF Series E And After)	26
Electronic Brake Parts (8132HF Series E And After)	27
Rear Drive Parts (Model 8132 S/N F0001 And After)	28
Rear Drive Parts (Model 8132 S/N Before F0001 and All 8140)	30
Auger and Splash Guard Parts	32
PTO Driveline	34
Lid Parts - 8132 C Series Units	36
Lid Parts - 8132 Series A and B Units and All 8140 Units	38
Lid Parts - 8132 Series A and B Units and All 8140 Units	39
Light Kit, before series G0001	40
Enhanced lighting (SAE), series G0001	41
Enhanced lighting (ISO), series G0001	42
Decal and Paint List	43
Hardware Part Number Listing	44
Part Number Index	46

Catalog Part Number 006021 Unit Serial Number _____

Abbreviations

Assy.....	Assembly
A/R.....	As Required
B.....	Bolt
Brg.....	Bearing
BSN.....	Before Serial Number
Btm.....	Bottom
C-Bolt.....	Carriage Bolt
Cttr.....	Cotter
CV.....	Constant Velocity
Deg.....	Degree
Dia.....	Diameter
ea.....	Each
eq or Equiv.....	Equivalent
Fln.....	Flanged Lock Nut
Fw.....	Flat Washer
Ga.....	Gauge
Gr or Grd.....	Grade
Hd.....	Head
Hfw.....	Heavy Flat Washer
Hyd.....	Hydraulic
ID.....	Inside Diameter
Ill or Illus.....	Illustration
Ind.....	Indicator
Jn.....	Jam Nut
Kw.....	Keyway
LH.....	Left Hand
Ln.....	Lock Nut
Lw.....	Lock Washer
Mtg Hrd.....	Mounting Hardware
NC.....	National Coarse
NF.....	National Fine
NLA.....	No Longer Available
NPT.....	National Pipe Thread
OD.....	Outside Diameter
Pc(s).....	Piece(s)
PD.....	Pitch Diameter
PHB.....	Pan head bolt
PTO.....	Power Takeoff (shaft)
Qty.....	Quantity
RH.....	Right Hand
SN.....	Serial Number
SHCS.....	Socket Head Cap Screw
Spk, or Spkt or Sprkt.....	Sprocket
Sq.....	Square
SS.....	Stainless Steel
SSB.....	Stainless Steel Bolt
St.....	Straight
Std.....	Standard
STS.....	Self Tapping Screw
UASN.....	Used After Serial Number
UBSN.....	Used Before Serial Number
W.....	With
W/O.....	With Out

Using This Service Parts Listing

This listing uses a number indentation system to specify the parts of an assembly. Any number which is indented to the right, indicates that it is a component of the item to the upper left. Example:

Part no	Qty	Description
102-AAA	#	Assembly A
102-BBB	#	Sub-Assembly B (Component of A)
140-xxx	#	Sub-Component of B
140-xxx	#	Sub-Component of B
102-CCC	#	Sub-Assembly C (Component of A)
etc.		

Using this system, the subassemblies and their components are included if an **Assembly** is ordered. Similarly, the components of a subassemblies are included if a subassembly is ordered.

The quantity (Qty) associated with an assembly, represents the number of times an assembly could be shown in the drawing. The subassembly quantity however, is the number of times a subassembly is used to build one assembly. Similarly, the component quantity refers to the number of times a given component is found in one subassembly.

MODEL AND SERIAL NUMBER INFORMATION is located near the front left hand corner (Fig. A). The model number, serial number and part number should be known when asking service personnel for parts.

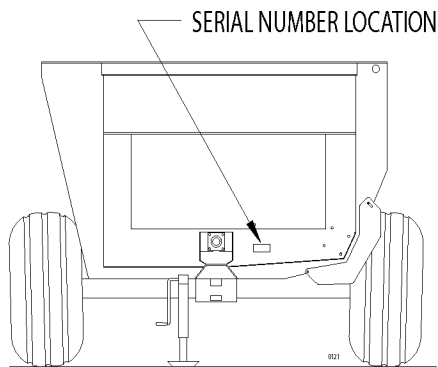


Fig. A

The serial number may consist of a number, or a number with a letter prefix. When referring to serial number breaks in the text of this manual, a serial number with a prefix will have been manufactured after a serial number without a prefix (A0001 made after 0123). Likewise, a higher prefix letter would indicate manufacture after a lower prefix letter (B0001 made after A0123). Therefore, if the text refers to units manufactured after serial number B0123, this would include "B" series numbers greater than 0123, and all numbers with a higher letter prefix.

If you cannot find the part you need, be as descriptive as possible when placing an order:

Sprockets: give the bore size, number of teeth, and size of keyway.

Roller chain: give the size of chain (stamped on the side of each link) and number of links.

Shafting: give the diameter, length, and quantity and size of keyways.

Hardware is generally not included with parts. If you need any hardware, check the size, the length, and the grade (Fig. B), then check the hardware list in this manual for the part numbers.

All hex head bolts are grade 5, and nuts are grade 5 unless otherwise stated.

The hardware listing also includes zerks, cotter pins, set screws, and roller chain links.

The illustrations in this manual are meant to be used only as a guide for identifying parts and locating their relative positions.

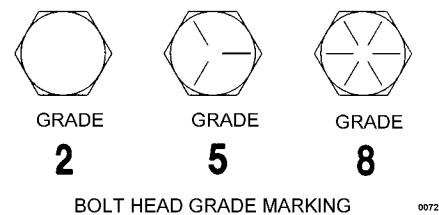
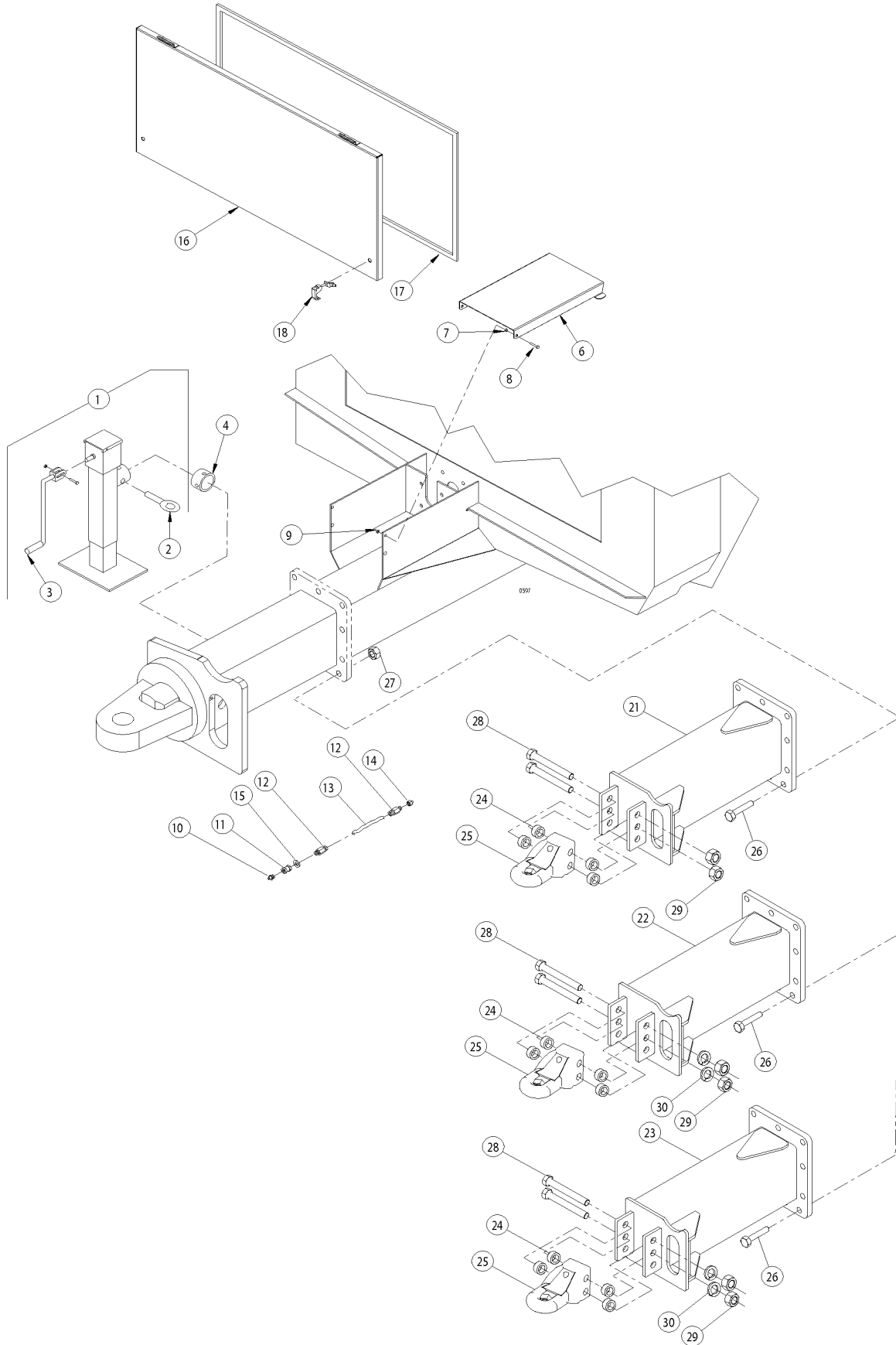


Fig. B

Front End Parts (Serial Number G0001 and before)



Front End Parts

REF	PART NO	QTY	DESCRIPTION
1	176-865	1	Jack, sidewind 10,000 lb
2	174-838	1	Jack Mount Pin (includes "R" clip)
3	176-866	1	Crank Assembly
4	174-839	1	Jack Mount Tube (weld on)
5	102-047	1	Clevis Assy; Mtg Hrd: (177-877) 3/4" x 2" B Grd8, (171-900) 3/4" LN Grd8 (4 ea.)
6	134-868	1	Tongue Clevis Mount 8132 ONLY (weld on)
	140-412	1	Tongue Clevis Mount 8140 ONLY (weld on)
7	142-076	1	Shield; PTO Cover
8	171-393	2	Washer, Belleville 3/8"
9	170-262	2	5/16" x 3/4" Bolt
10	170-028	2	Nut, Flange Lock 5/16"
11	170-865	1*	Grease Zerk 1/8" NPT
12	172-024	1*	Coupling
13	172-822	2*	Compression Fitting
14	180-630**	19'	Grease Line Tubing (Total length required for all grease fittings)
		27"	Required for lower auger front bearing
		14"	Required for upper auger front bearing
		19"	Required for upper counter shaft front bearing
		19"	Required for upper counter shaft rear bearing
		11"	Required for lower counter shaft front bearing
		15"	Required for lower counter shaft rear bearing
		42"	Required for input shaft inner bearing
		18"	Required for hammer shaft front bearing
15	172-823***	1*	Adapter Fitting
16	170-244	1*	Flat Washer 3/8"
17	104-179	1	Front Shield
	104-050	1 ^A	Front Shield
18	176-935	10 ^{**}	Seal, Trim
19	173-027	2	Lift and Turn latch
20	140-848	1	Hitch-Saver Disc (Nylatron)
21	105-209	1	WC, Detachable Tongue (used on TE units only)
22	105-516	1	WC, Detachable Tongue (used on 8132 flush mounted units)
23	105-210	1	WC, Detachable Tongue
24	145-477	4	Tube, RD, 1.50 x .25 x .75
25	175-221	1	Clevis, Pintle
26	172-002	11	Screw, Hex Hd, .88 x 3.00 Nc Grd 5 (360 to 370 ft-lbs)
27	173-069	11	Nut, Hex, .88 Nc, Lock, Grd 5
28	176-586	2	Screw,, hd, 1.00 x 8.00 Nc ,Grd 8 (700 ft-lbs)
29	175-247	2	Nut, Hex, 1.00, Nc. Grd 8
30	171-021	1	Washer, Lock 1.00

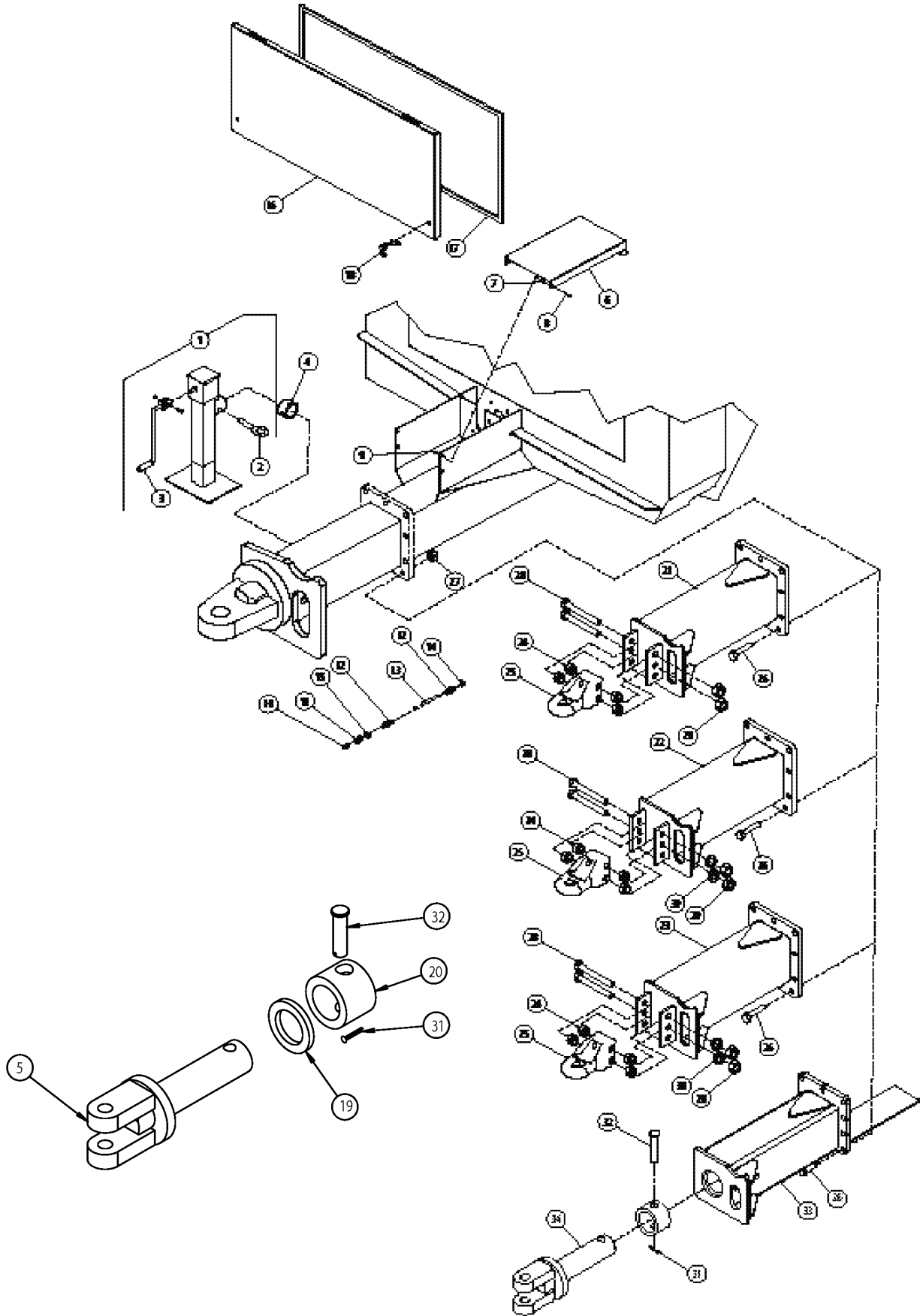
* Quantity required to complete 1 grease line assy

** Sold by the linear foot.

*** Not required on all installations.

A: Used before serial number B0001

Front End Parts (Serial Number H0001 and after)



Front End Parts

REF	PART NO	QTY	DESCRIPTION
1	176-865	1	Jack, sidewind 10,000 lb
2	174-838	1	Jack Mount Pin (includes "R" clip)
3	176-866	1	Crank Assembly
4	174-839	1	Jack Mount Tube (weld on)
5	104-248	1	Clevis Assy; Removable
6	142-076	1	Shield; PTO Cover
7	171-393	2	Washer, Belleville 3/8"
8	170-262	2	5/16" x 3/4" Bolt
9	170-028	2	Nut, Flange Lock 5/16"
10	170-865	1*	Grease Zerk 1/8" NPT
11	172-024	1*	Coupling
12	172-822	2*	Compression Fitting
13	180-630**	19'	Grease Line Tubing(Total length required for all grease fittings)
		27"	Required for lower auger front bearing
		14"	Required for upper auger front bearing
		19"	Required for upper counter shaft front bearing
		19"	Required for upper counter shaft rear bearing
		11"	Required for lower counter shaft front bearing
		15"	Required for lower counter shaft rear bearing
		42"	Required for input shaft inner bearing
		18"	Required for hammer shaft front bearing
14	172-823***	1*	Adapter Fitting
15	170-244	1*	Flat Washer 3/8"
16	104-179	1	Front Shield
	104-050	1 ^A	Front Shield
17	176-935	10 ^{**}	Seal, Trim
18	173-027	2	Lift and Turn latch
19	144-063	1	Shim Washer, 12 GA
	144-064	1	Shim Washer, 16 GA
20	142-874	1	Tube, 5.50 x .75 x 3.25
21	105-209	1	WC, Detachable Tongue (used on TE units only)
22	105-516	1	WC, Detachable Tongue (used on 8132 flush mounted units)
23	105-210	1	WC, Detachable Tongue
24	145-477	4	Tube, RD, 1.50 x .25 x .75
25	175-221	1	Clevis, Pintle
26	172-002	11	Screw, Hex Hd, .88 x 3.00 Nc Grd 5 (360 to 370 ft-lbs)
27	173-069	11	Nut, Hex, .88 Nc, Lock, Grd 5
28	176-586	2	Screw,, hd, 1.00 x 8.00 Nc ,Grd 8 (700 ft-lbs)
29	175-247	2	Nut, Hex, 1.00, Nc. Grd 8
30	171-021	1	Washer, Lock 1.00
31	107-056	1	Pin, Cotter, .25 x 2.00
32	142-997	1	Round, 1.75 x 3.19
33	105-874	1	WC, Detach Tongue, 8 x 10 (used on 8132 only)
34	104-409	1	WC, Spade Pintle (used on 8132 Detachable Tongue)

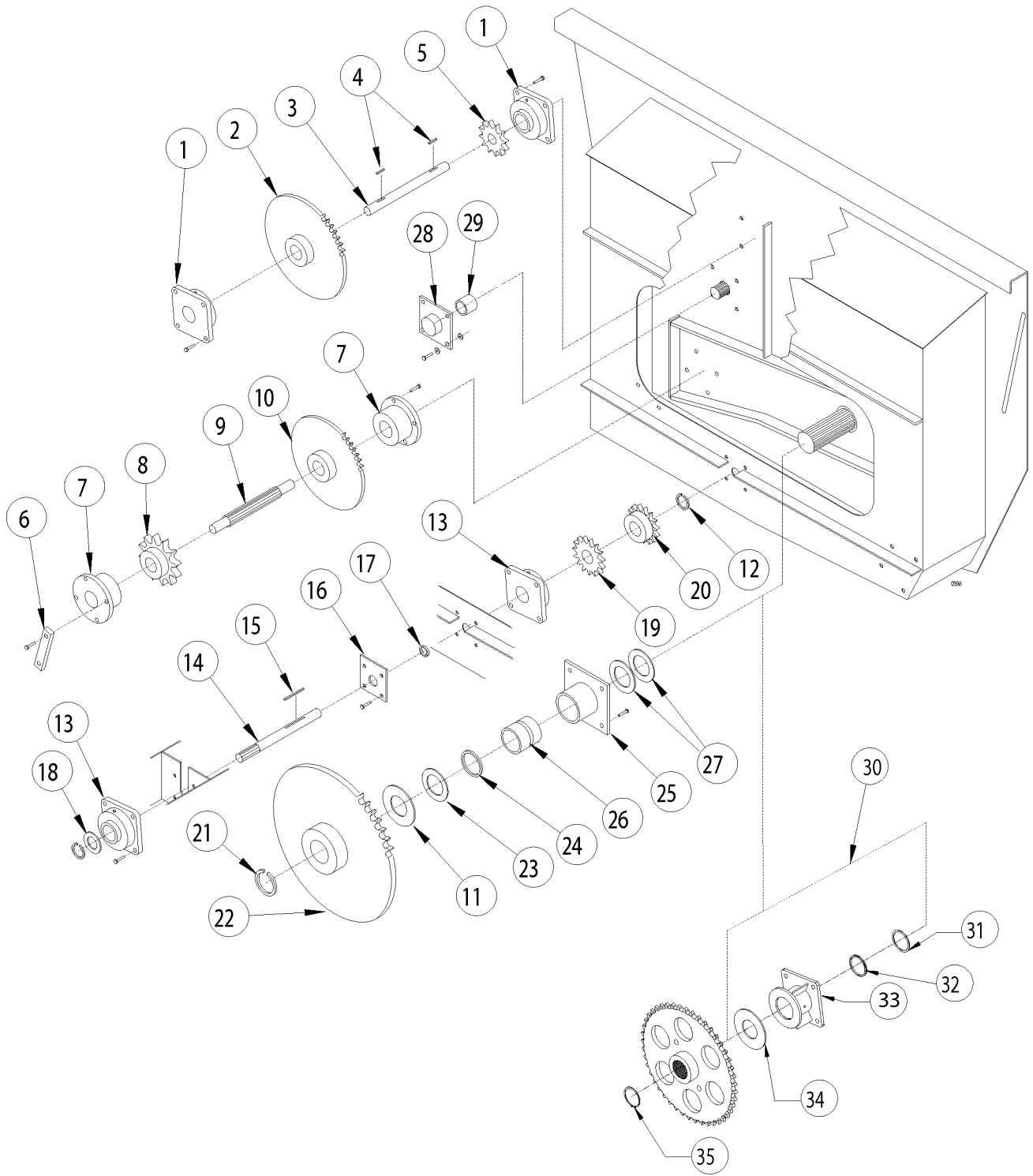
* Quantity required to complete 1 grease line assy

** Sold by the linear foot.

*** Not required on all installations.

A: Used before serial number B0001

Front Drive Parts

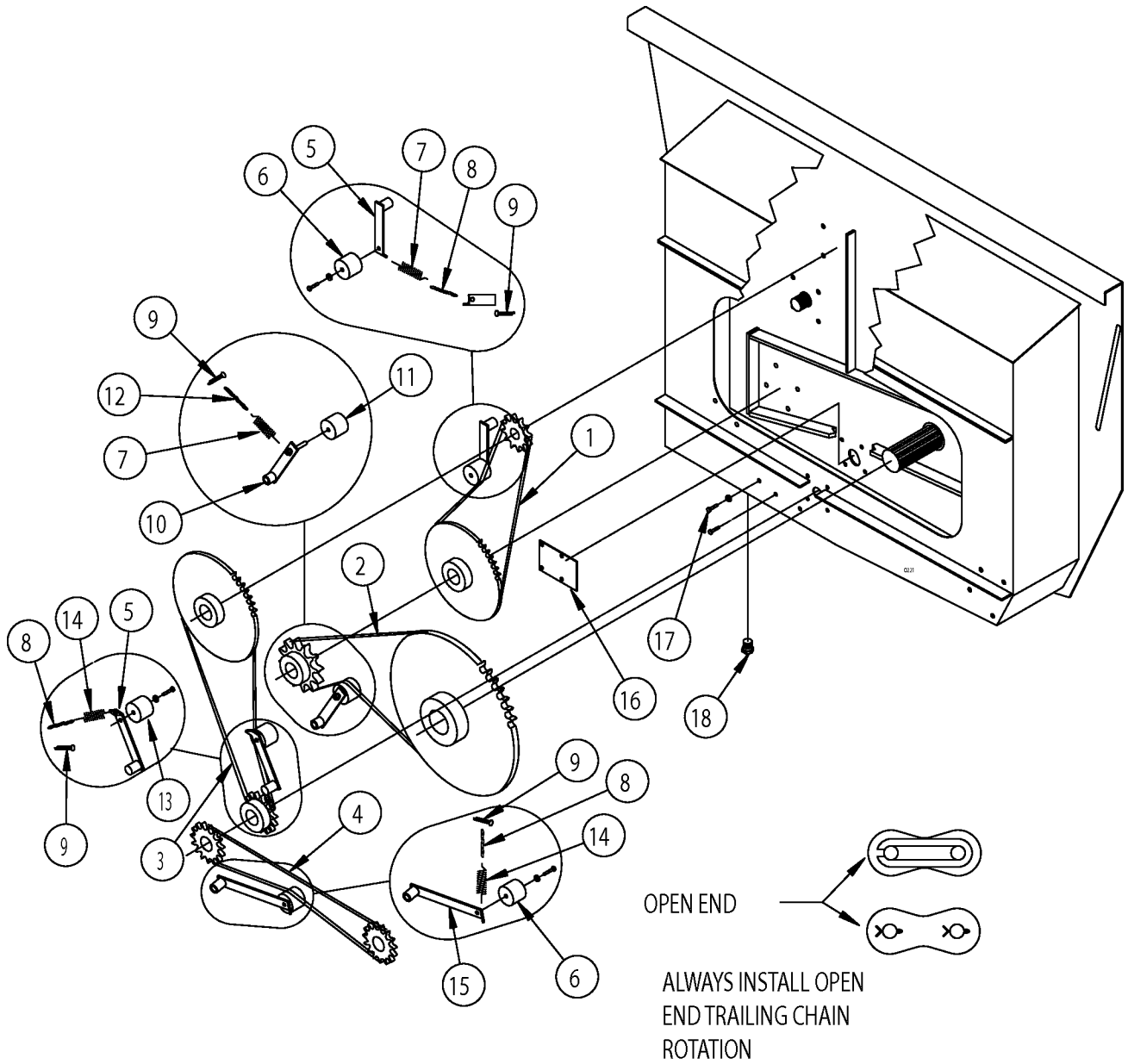


Front Drive Parts

REF	PART NO	QTY	DESCRIPTION
1	170-008	2	Bearing, 2" Roller; Mtg Hrd: 5/8" x 1-3/4" Bolt, Lw, Nut (4 ea)
2	136-176	1	Sprocket; 60-B-90, 2" Bore - 1/2" Keyway
3	134-842	1	Counter Shaft; 2" x 12 1/2"
4	170-835	2	Key; 1/2" Sq. X 1-1/2"
5	134-787	1	Sprocket; 100-B-12, 2" Bore
6	134-883	1	Bearing Spacer
7	170-365	2	Bearing; 2-1/2" Double Roller, Mtg Hrd: (4) 5/8" x 2-1/2" Bolt, Lw, Nut (Outer Bearing) (4) 5/8" x 2" Bolt, Lw, Nut (Inner Bearing)
8	134-789	1	Sprocket; 140-B-11, 3" Splined
9	134-834	1	Counter Shaft; 3" x 11-5/8" Splined
10	134-788	1	Sprocket; 100-B-36, 3" Splined
11	140-424	1	Nylon Thrust Washer; 4" ID x 5-1/2" OD x 1/8" Thk
12	171-387	2	Snap Ring; 1-1/2" External
13	172-288	2	Bearing; 1-1/2" Eccentric Lock Mtg Hrd: 1/2" x 1-3/4" Bolt, Lw,N (4ea)
14	134-780	1	Input Shaft; 1-1/2" x 15.15/16" Splined
15	170-052	1	Key; 3/8" Sq. X 2-1/8"
16	134-906	1	Seal Retainer Plate
17	172-355	1	Seal, Lip, 1-1/2" C/R. #14864
18	175-319	A/R	Spacer washer, 1 1/2" ID X 18 Ga
	175-320	A/R	Spacer washer, 1 1/2" ID X 14 Ga
	175-321	A/R	Spacer washer, 1 1/2" ID X 10 Ga
19	136-177	1	Sprocket; 80-B-15, 1-1/2" Bore - 3/8" Keyway
20	136-175	1	Sprocket; 60-B-23, 1-1/2" Bore - 3/8" Keyway
21	171-989	1	Snap Ring; 4" External (Tru-Arc, 5100-400)
22	134-790	1	Sprocket; 140-B-45, 4" Splined
23	140-425	1	Metal Washer; 4" ID x 5-9/16" OD x 1/4" Thk.
24	172-913	1	Quadring Seal; 4" ID
25	102-259	1	Bearing; 4", Mtg Hrd: (4) 7/8" x 2 1/2" Bolt, Lw, Nut
26	135-692	1	Bearing Sleeve; 4 3/4" x 3/8" Wall x 5 1/8"
27	135-697	2	Plastic Thrust Washer; 4" ID
28	102-212	1	Bearing; 2" Mtg Hrd: 5/8" x 1 1/4" Bolt, Fw, Ln (4 ea)
29	135-614	1	Bearing Sleeve; 2" ID x 2-1/2" OD x 2" Lg.
30	300-066*	1	Sealed Thrust Bearing Kit (Will fit all 8132's and 8140's)
31	143-094*	1	Plastic Washer
32	175-553*	1	V-Ring Seal
33	104-292*	1	Bearing
34	143-096*	1	Nylatron Washer
35	171-989*	1	Snap Ring

* Used on serial number (B0270 and after on the 8132) and (A0206 and after on the 8140)

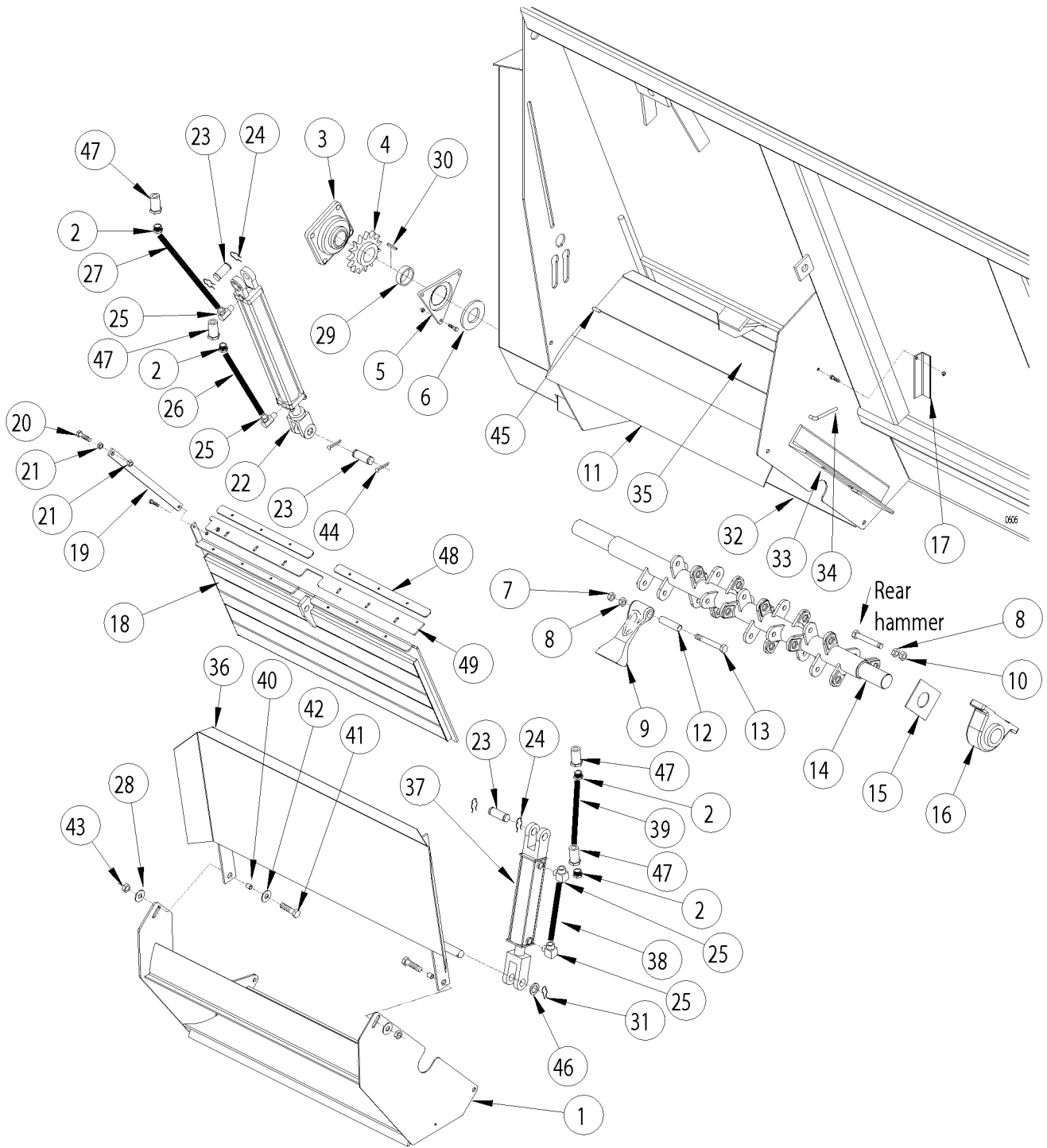
Front Drive Parts



Front Drive Parts

REF	PART NO	QTY	DESCRIPTION
1	172-485	1	Roller Chain; 100-1-76 Pitch, W/Connector Link
2	172-489	1	Roller Chain; 140-1-66 Pitch, W/Connector Link
3	173-080	1	Roller Chain; 60-1-148 Pitch, W/Connector Link
4	172-283	1	Roller Chain; 80-1-85 Pitch, W/Connector Link & Half Link
5	101-911	2	Chain Tightener Arm
6	134-155	2	Poly Tightener Block, 3" OD x 2 1/2" Mtg Hrd: 1/2" x 2 3/4" Bolt, Fw, Lw, Nut
7	172-751	2	Spring; 8 1/4" LG x 1 1/2" OD
8	170-845	3	Machine Chain; #4 x 17 Links
9	170-800	4	Clinch Pin
10	102-069	1	Chain Tightener Arm
11	134-919	1	Poly Tightener Block; 3" OD x 2 7/8" Mtg Hrd: 1/2" Fw, Lw, Nut
12	171-045	1	Machine Chain; #4 x 22 Links
13	134-086	1	Poly Tightener Block; 3" OD x 3" Mtg Hrd: 1/2" x 4" Bolt, Fw, Lw, Nut
14	172-005	2	Spring; 6" LG x 1" OD
15	101-761	1	Chain Tightener Arm
16	134-908	1	Cover Plate; Mtg Hrd: (4) 1/2" x 1" Bolt, Lw, Nut
17	171-252	1	Bolt, 1/2" x 1" and 172-884 Plastic Washer
18	171-919	1	Drain Plug, 1 1/4" PVC

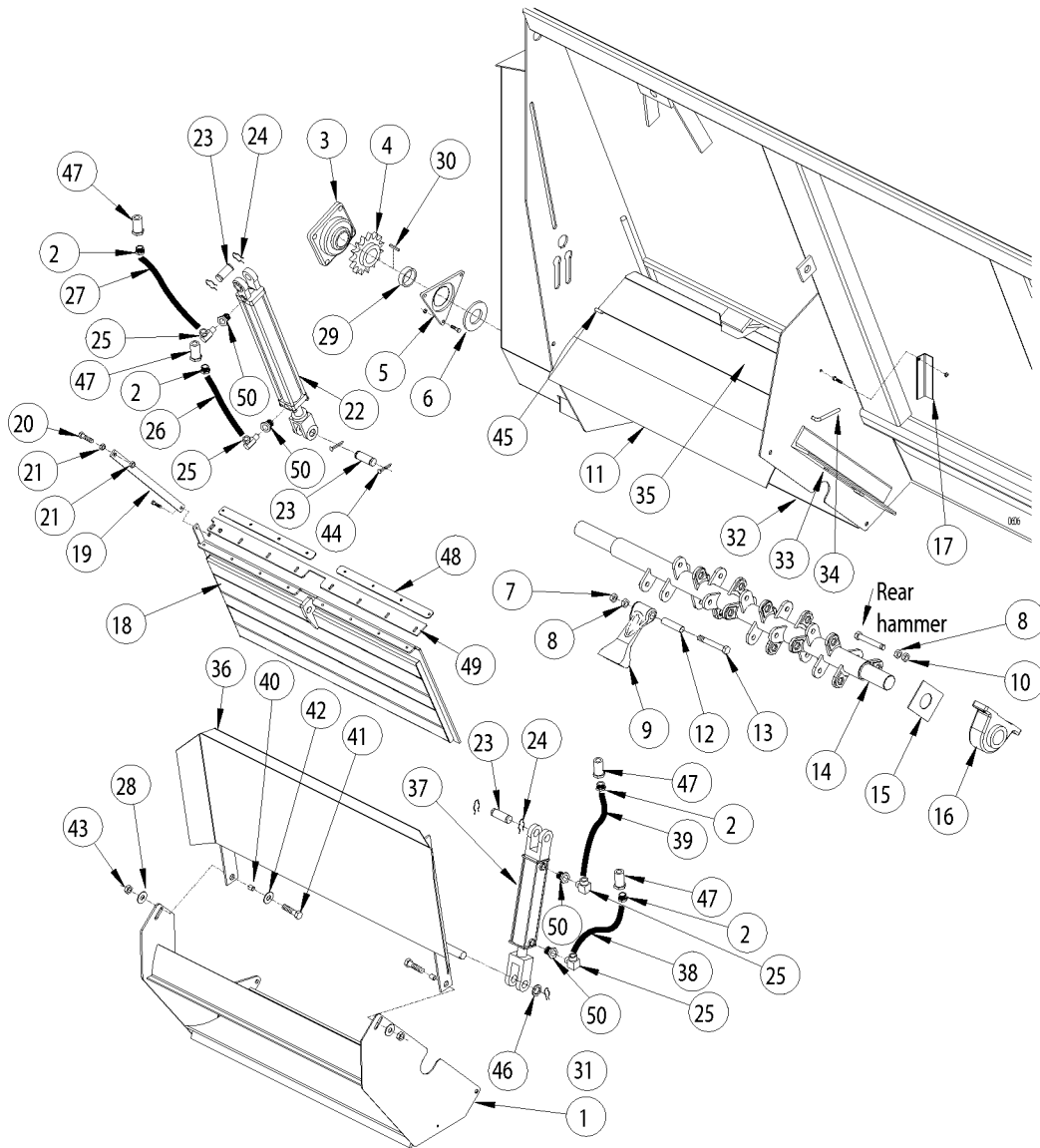
Discharge Parts - (8132 Serial Numbers D0019 And After)



Discharge Parts - (8132 Serial Numbers D0019 And After)

REF	PART NO	QTY	DESCRIPTION
1	104-041	1	Discharge Shroud Assy; Mtg Hrd 1/2" x 1 1/4" Bolt, & LN (2 ea) (lower shroud mt. only)
2	175-675	4	Adapter; 08OM x 06JM
3	170-008	1	Bearing; 2" Flanged; Mtg Hrd 5/8" x 1 3/4" LW & Nut (4 ea)
4	136-178	1	Sprocket; 80-B-18, 2" Bore 1/2" Keyway
5	134-831	1	Seal Retainer Plate; Mtg Hrd: 5/16" x 1" FLN (3 ea)
6	133-277	1	Seal, 2 1/2" ID Plastic
7	170-031	14	Lock Nut; 5/8" (Grade 5)
8	170-037	14	Jam Nut; 5/8" (Grade 5)
9	175-035	15	Hammer
10	172-866	2	Jam Lock Nut; 5/8" (Grade 5)(rear hammer only)
11	134-846	1	Top Door Frame; Weld On
12	172-422	15	Bushing; Straight Nylon
13	172-421	14	Bolt; 5/8" x 5 1/2" Bolt (Grade 5)
	142-003	1	Bolt; 5/8" x 4 3/4" Bolt (Grade 5) (rear hammer only)
14	101-988	1	Hammer Shaft Assy
15	134-875	1	Plastic Shaft Seal; 1/8" x 4" x 5"
16	171-586	1	Pillow Block Bearing 2"; Mtg Hrd; 5/8" x 2 1/2" (172-381) B, FW, JN & LN (2 ea.)
17	134-874	1	Lock Angle; Mtg Hrd: 5/16" x 1" Bolt, Fw, & Nut
18	103-899	1	Discharge Door Assy
19	134-878	1	Door Height Indicator Bar; Mtg Hrd: 5/16" x 3/4" Bolt & Lock Nut
20	170-885	1	Bolt; 1/2" x 2 1/2"
21	170-004	2	Nut; 1/2"
22	175-685	1	Hydraulic Cylinder; 2" x 18" Stroke (Seal Kit # 170-075)
23	173-274	3	Clevis Pin; 1"
24	173-275	4	Hair Pin Clip
25	176-508	4	Adapter; 90 Degree; 06LFS x 06JM
26	175-927	1	Hydraulic Hose; 1/4" x 192" OAL (Lower)
27	175-907	1	Hydraulic Hose; 1/4" x 170" OAL (Upper)
28	175-299	2	Heavy Washer; 1/2"
29	172-772	1	Lock Collar, 2"
30	170-835	1	Key; 1/2" x 1/2" x 1 1/2"
31	170-074	1	Hair Pin
32	134-649	1	Mount; Bottom 5/16 x 14 1/32 x 38 5/8, Weld On
33	133-288	1	Bearing Mount; RH, Weld On
34	134-902	1	Clean Out Handle; Weld On (Before Series D)
	144-900	1	Clean Out Handle; Weld On (Series D and after)
35	134-899	1	Clean Out Door; Weld On
36	103-622	1	Deflector Assembly
37	175-726	1	Cylinder; 2" DIA x 10" stroke, (Seal Kit #170-075)
38	175-690	1	Hydraulic Hose; 1/4" x 207" OAL
39	175-691	1	Hydraulic Hose; 1/4" x 197" OAL
40	142-082	2	Bushing
41	170-002	2	Bolt; 1/2" x 1 3/4"
42	171-774	2	Washer; 1/2"
43	170-042	2	Lock Nut; 1/2"
44	170-115	2	Cotter Pin 3/16" x 2"
45	133-637	1	Cover Hinge; 3/8" x 2", Weld On
46	170-122	1	Washer; 1"
47	175-687	4	Quick Coupler
48	144-741	2	Retainer; Mtg Hrd; 5/16" x 1 1/4" Bolt, FlN (6 ea)
49	144-736	1	Plastic Seal

Discharge Parts - (8132 Model: Series A, B, C, and D0001-D0018 Serial Numbers, and All 8140 Models)



Discharge Parts - (8132 Model: A, B, C, and D0001-D0018 Serial Numbers, and All 8140 Models)

REF	PART NO	QTY	DESCRIPTION
1	104-041	1	Discharge Shroud Assy; Mtg Hrd 1/2" x 1 1/4" Bolt, & LN (2 ea) (lower shroud mt. only)
2	170-235 ^A	4	Adapter; 1/2" NPT x 3/8" NPT
	175-675 ^B	4	Adapter; 08OM x 06JM
3	170-008	1	Bearing; 2" Flanged; Mtg Hrd 5/8" x 1 3/4" LW & Nut (4 ea)
4	136-178	1	Sprocket; 80-B-18, 2" Bore 1/2" Keyway
5	134-831	1	Seal Retainer Plate; Mtg Hrd: 5/16" x 1" FLN (3 ea)
6	133-277	1	Seal, 2 1/2" ID Plastic
7	170-031	14	Lock Nut; 5/8" (Grade 5)
8	170-037	14	Jam Nut; 5/8" (Grade 5)
9	175-035	15	Hammer
10	172-866	2	Jam Lock Nut; 5/8" (Grade 5)(rear hammer only)

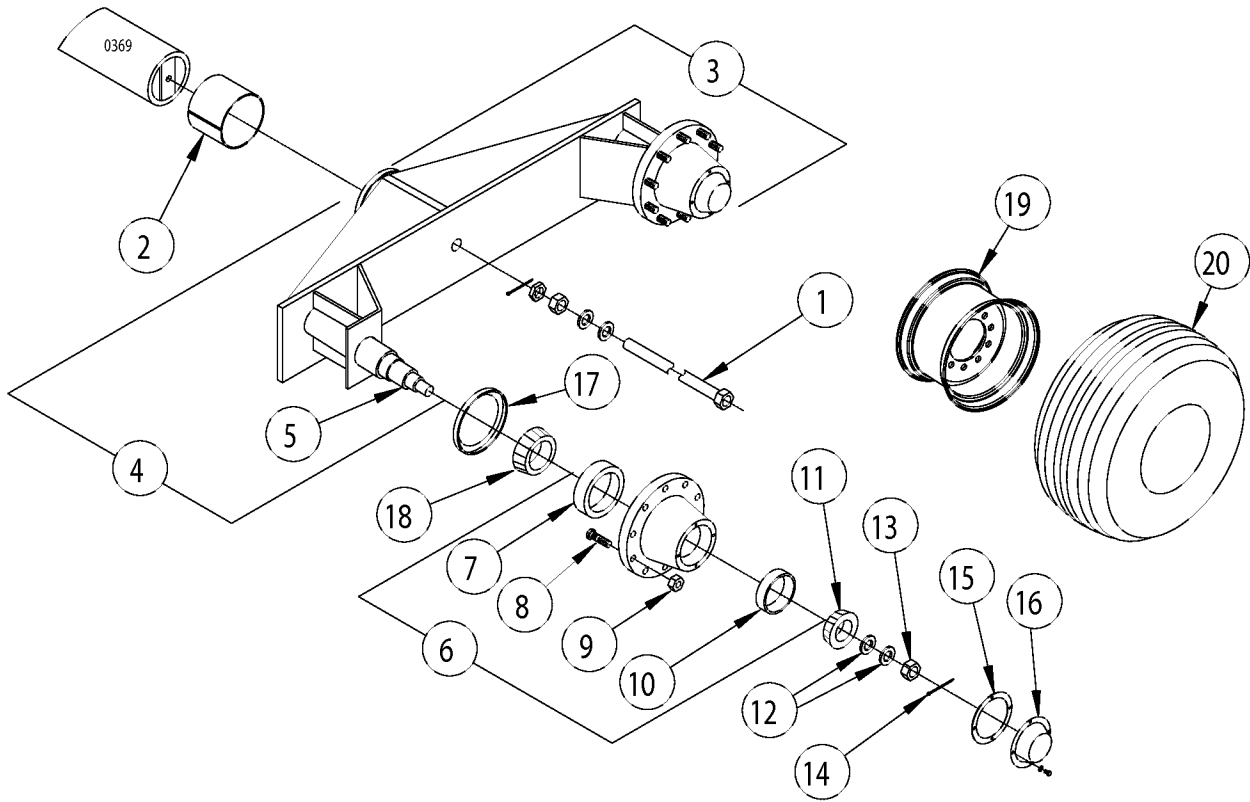
Discharge Parts - (8132 Model: Series A, B, C, and D0001-D0018 Serial Numbers, and All 8140 Models)

REF	PART NO	QTY	DESCRIPTION
11	134-846	1	Top Door Frame; Weld On
12	172-422	15	Bushing; Straight Nylon
13	172-421	14	Bolt; 5/8" x 5 1/2" Bolt (Grade 5)
	142-003	1	Bolt; 5/8" x 4 3/4" Bolt (Grade 5) (rear hammer only)
14	101-988	1	Hammer Shaft Assy
15	134-875	1	Plastic Shaft Seal; 1/8" x 4" x 5"
16	171-586	1	Pillow Block Bearing 2"; Mtg Hrd; 5/8" x 2 1/2" (172-381) B, FW, JN & LN (2 ea.)
17	134-874	1	Lock Angle; Mtg Hrd: 5/16" x 1" Bolt, Fw, & Nut
18	105-572	1	Discharge Door Assy
19	134-878	1	Door Height Indicator Bar; Mtg Hrd: 5/16" x 3/4" Bolt & Lock Nut
20	170-885	1	Bolt; 1/2" x 2 1/2"
21	170-004	2	Nut; 1/2"
22	173-220 ^A	1	Hydraulic Cylinder; 2" x 18" Stroke (3/8" NPT ports) (Seal Kit # 170-075)
	175-685 ^B	1	Hydraulic Cylinder; 2" x 18" Stroke (#8 O-ring ports) (Seal Kit # 170-075)
23	173-274	3	Clevis Pin; 1"
24	173-275	4	Hair Pin Clip
25	171-030 ^A	4	Adapter; 3/8" NPT x 90 Degree
	175-673 ^B	4	Adapter; 06LFS x 06JM; 90 Degree
26	171-464 ^A	1	Hydraulic Hose; 1/4" x 190" OAL (NPT fittings)(Lower)
	175-927 ^B	1	Hydraulic Hose; 1/4" x 192" OAL (JIC fittings) (Lower)
27	170-471 ^A	1	Hydraulic Hose; 1/4" x 170" OAL (NPT fittings)(Upper)
	175-907 ^B	1	Hydraulic Hose; 1/4" x 170" OAL (JIC fittings)(Upper)
28	175-299	2	Heavy Washer; 1/2"
29	172-772	1	Lock Collar, 2"
30	170-835	1	Key; 1/2" x 1/2" x 1 1/2"
31	170-074	1	Hair Pin
32	134-649	1	Mount; Bottom 5/16 x 14 1/32 x 38 5/8, Weld On
33	133-288	1	Bearing Mount; RH, Weld On
34	134-902	1	Clean Out Handle; Weld On
35	134-899	1	Clean Out Door; Weld On
36	103-622	1	Deflector Assembly
37	173-273 ^A	1	Cylinder; 2" DIA x 10" stroke, (3/8" NPT ports) (Seal Kit #170-075)
	175-726 ^B	1	Cylinder; 2" DIA x 10" stroke, (#8 O-ring ports) (Seal Kit #170-075)
38	173-493 ^A	1	Hydraulic Hose; 1/4" x 198" OAL (NPT fittings)
	175-690 ^B	1	Hydraulic Hose; 1/4" x 207" OAL (JIC fittings)
39	171-068 ^A	1	Hydraulic Hose; 1/4" x 192" OAL (NPT fittings)
	175-691 ^B	1	Hydraulic Hose; 1/4" x 197" OAL (JIC fittings)
40	142-082	2	Bushing
41	170-002	2	Bolt; 1/2" x 1 3/4"
42	171-774	2	Washer; 1/2"
43	170-042	2	Lock Nut; 1/2"
44	170-115	2	Cotter Pin 3/16" x 2"
45	133-637	1	Cover Hinge; 3/8" x 2"; Weld On
46	170-122	1	Washer; 1"
47	175-536 ^A	4	Pioneer Quick Coupler (1/2" NPTF)
	175-687 ^B	4	Pioneer Quick Coupler (#8 OF)
50	175-675 ^B	4	Adapter; 08OM x 06JM

A: Used on all model 8132 A and B series serial numbers and all 8140 models.

B: Used on all model 8132 C series serial numbers and after.

Running Gear Parts (8132 Only)

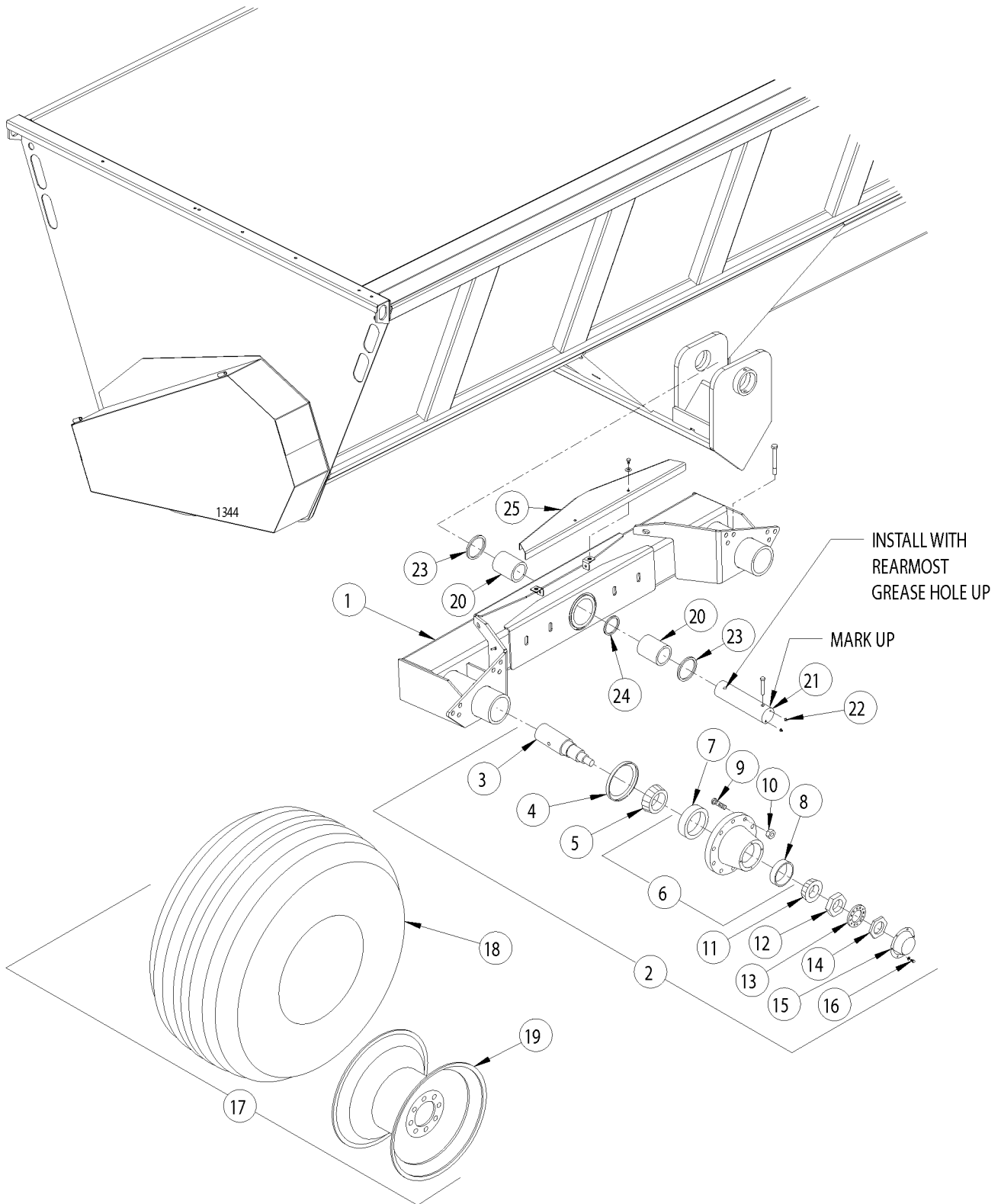


Running Gear Parts (8132 Only)

REF PART NO	QTY	DESCRIPTION
1 102-046	1	Tie Rod Assembly Mtg Hrd: 3/4" Nut, Jam Nut, (170-236) Cotter Pin (1 ea) & Fw (2)
2 134-843	1	Bushing; Bogie Pivot
3 102-048	1	RH Bogie Assembly
105-085*	1	RH Bogie Assembly
102-049	1	LH Bogie Assembly
105-083*	1	LH Bogie Assembly
4 102-066	1	RH Bogie Weldment
105-084*	1	RH Bogie Weldment
102-065	1	LH Bogie Weldment
105-082*	1	LH Bogie Weldment
170-865	1	Grease Zerk 1/8" NPT
5 134-824	2	Spindle; 3 3/8" x 17-3/4"
6 172-396	2	10-Bolt Hub
7 172-361	1	Inside Bearing Race; 4 5/8" Timken #33462
8 174-784	10	Wheel Stud; 3/4"
9 170-920	10	Wheel Nut; 3/4"
10 170-922	1	Outside Bearing Race; 4 1/4" Timken# 453
11 170-921	2	Outside Bearing Cone; 1 3/4" Timken# 460
12 170-928	4	Spindle Washer
13 170-927	2	Castle Nut; 1 1/4"
14 170-056	2	Cotter Pin; 1/4" X 2"
15 176-936	2	Hubcap Gasket
16 170-926	2	Dust Cap; Mtg Hrd: (4) 5/16" x 3/4" Screw
17 172-362	2	Grease Seal, C/R 33772
18 172-360	2	Inside Bearing Cone; 2 3/4" Timken #33275
19 172-481	4	Wheel; 16.1" x 18C, 10-Hole, 0 offset
176-629	4	Wheel; 22.5" x 13", 10-Hole, 0 offset
176-679	4	Wheel; 22.5" x 20", 10-Hole, 1" Negative offset
20 172-482	4	Tire, 21.5" x 16.1" x Implement, New (174-579 Tube Not Shown)
175-269	4	Tire, 425/65R - 22.5 Truck, Recap (174-577 Tube Not Shown)
176-678	4	Tire, 600/55 - 22.5 Flootation Tires (177-003 Valve Stem Not Shown)

*Parts available for oversize Wheel and Tire Assembly

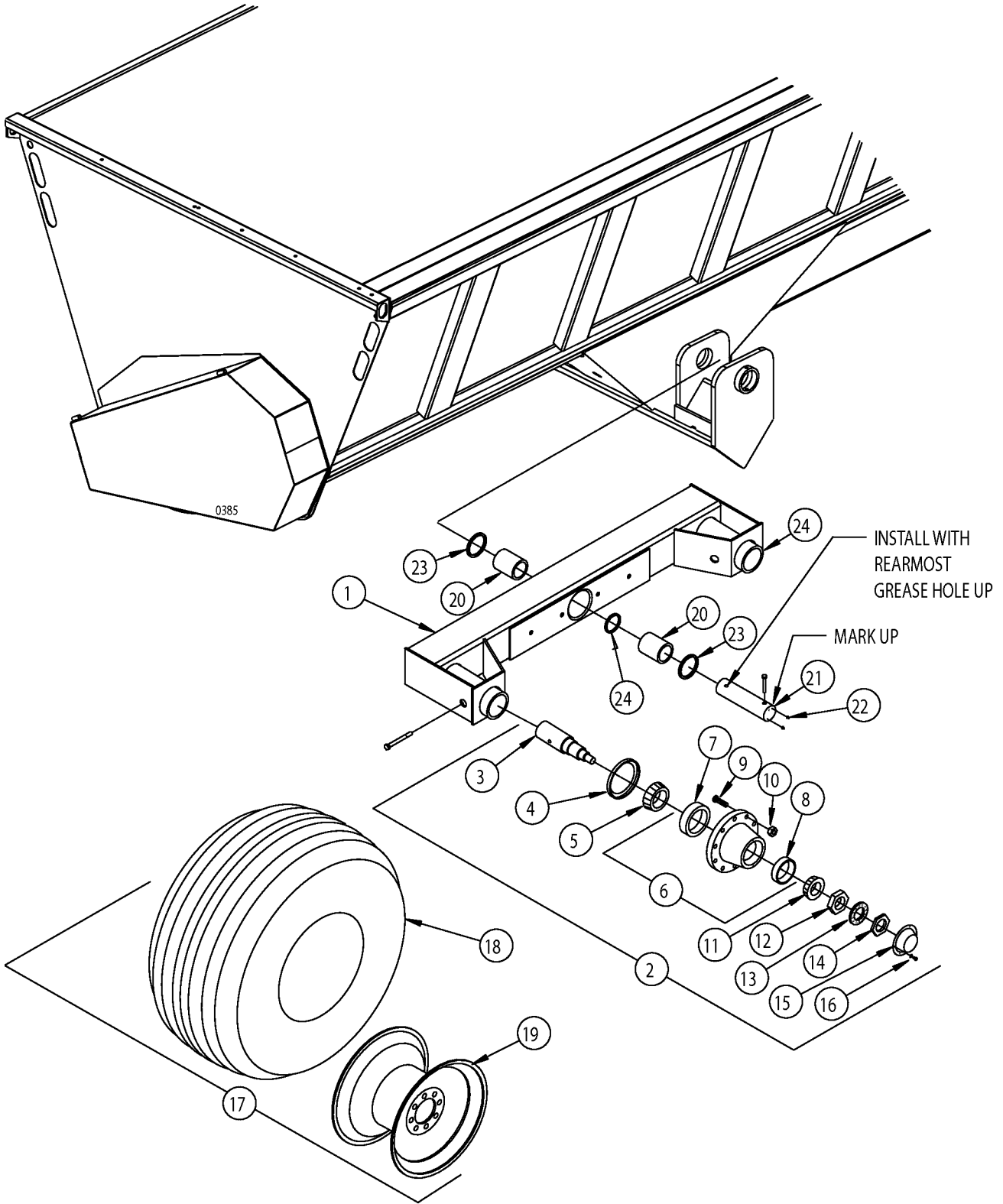
Running Gear Parts (8132HF Series E And After)



Running Gear Parts (8132HF Series E And After)

REF PART NO	QTY	DESCRIPTION
1 105-201	2	Bogie Weldment
2 105-187	4	Hub & Spindle Assembly (Includes 170-023 Zerk)
3 146-220	1	Spindle; Round, 4 1/2" x 22 1/4"; Mtg Hrd: 5/8" x 6 1/2" B, LN
4 173-006	1	Seal; Lip, 4 7/16" x 6" x 1/2", Transcom #44605 SA
5 173-001	1	Bearing; Cone, 3 9/16" Timken HM218248
6 105-773	1	Hub; Wheel, 10 Bolt w/Bearing Races 11 1/4" BC
7 173-031	1	Bearing; Race, Inside, 5.7864 Timken# HM218210
8 173-032	1	Bearing ;Race, Outside, 4.8125 Timken# HM212011
9 174-784	10	Stud; Wheel, 3/4" NF RH THD
10 170-920	10	Nut; Wheel, 3/4" NF RH THD
11 173-002	1	Bearing; Cone, 2 5/8" Timken HM212049
12 173-003	1	Nut; Spindle, Inner W/Stud DANA M10HM101 (M682)
13 173-004	1	Washer; Lock DANA M10HM100 (M683)
14 173-005	1	Nut; Spindle, Outer DANA M10HN102 (M684)
15 173-007	1	Hub Cap
16 170-262	6	Screw; Hex Hd, 5/16" x 3/4" NCGR5
17 104-813	4	Tire and Wheel Assembly
105-755	4	Tire and Wheel Assembly
18 174-528	4	Tire; 23.1 x 26, Turf Tread
174-678	4	Tire; 28L x 26, Diamond Tread
19 173-158	4	Wheel; DW20A-26, 10-Hole, 0 offset (High Flotation)
174-677	4	Wheel; 26.00 x DW25A, 10-Hole, 0 offset (High Flotation)
20 140-436	4	Bushing; Nylon, 4 3/4" OD x 3/8" x 4 3/16"
21 140-437	2	Pivot Pin; Bolt, 174-944 Grade 8, Lock nut 171-671 Grade 8
22 170-865	4	Grease Zerk; 1/8" NPT
23 141-121	2	Spacer Ring
24 140-435	3	Thrust Washer; 4 3/4" x 6-1/2" x 1/8" Thk.
25 146-190	2	Bogie brake line cover; Mtg Hrd: 5/16" x 3/4" Bolt, Fw (2 ea)

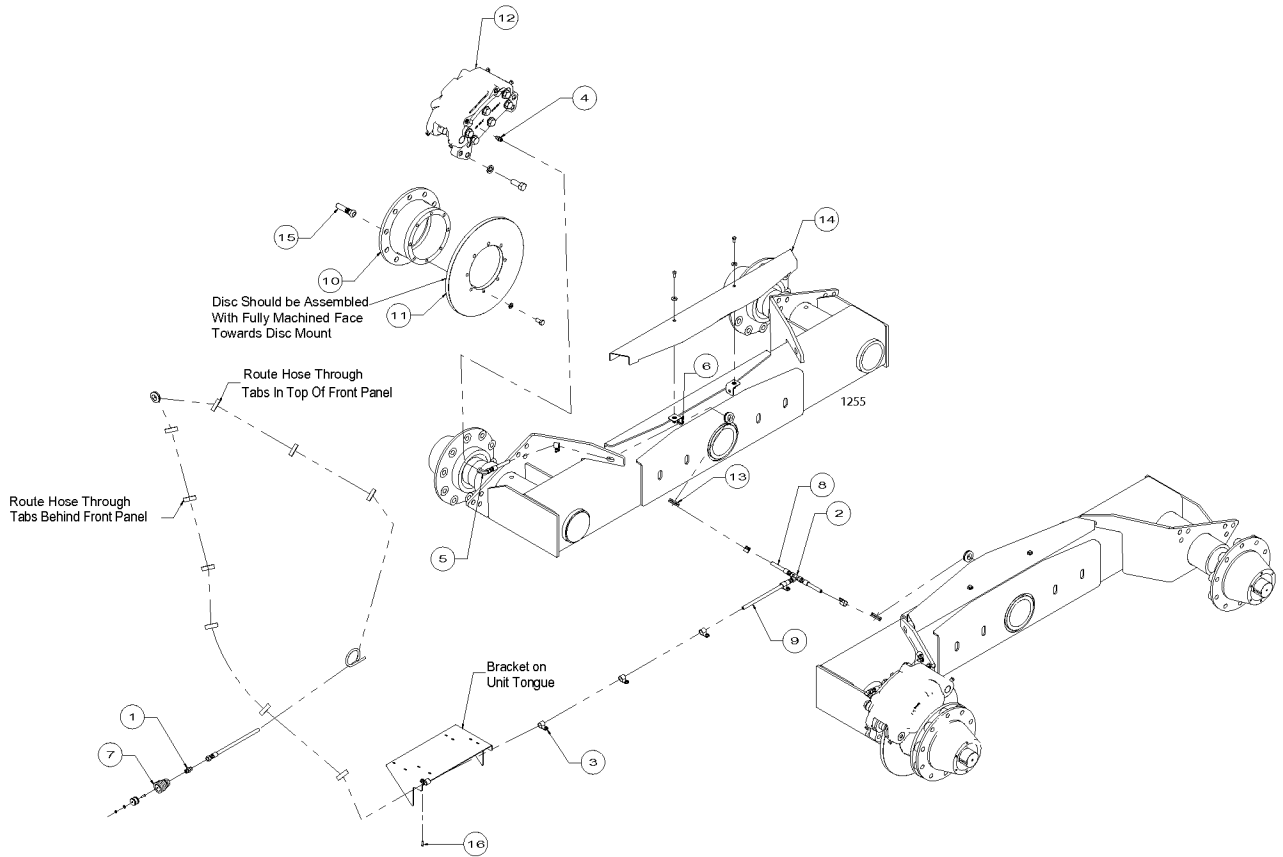
Running Gear Parts (8132HF Series D And Before And All 8140's)



Running Gear Parts (8132HF Series D And Before And All 8140's)

REF PART NO	QTY	DESCRIPTION
1 103-611	2	Bogie Weldment
2 103-630	4	Hub & Spindle Assembly
3 140-434	1	Spindle; Round, 4 1/2" x 22 1/4"; Mtg Hrd: 5/8" x 6 1/2" B, LN
4 173-006	1	Seal; Lip, 4 7/16" x 6" x 1/2", Transcom #44605 SA
5 173-001	1	Bearing; Cone, 3 9/16" Timken HM218248
6 105-773	1	Hub; Wheel, 10 Bolt w/Bearing Races 11 1/4" BC
7 173-031	1	Bearing; Race, Inside, 5.7864 Timken# HM218210
8 173-032	1	Bearing ;Race, Outside, 4.8125 Timken# HM212011
9 174-784	10	Stud; Wheel, 3/4" NF RH THD
10 170-920	10	Nut; Wheel, 3/4" NF RH THD
11 173-002	1	Bearing; Cone, 2 5/8" Timken HM212049
12 173-003	1	Nut; Spindle, Inner W/Stud DANA M10HM101 (M682)
13 173-004	1	Washer; Lock DANA M10HM100 (M683)
14 173-005	1	Nut; Spindle, Outer DANA M10HN102 (M684)
15 173-007	1	Hub Cap
16 170-262	6	Screw; Hex Hd, 5/16" x 3/4" NCGR5
17 104-813	4	Tire and Wheel Assembly
105-753	4	Tire and Wheel Assembly
18 174-528	4	Tire; 23.1 x 26, Turf Tread
174-678	4	Tire; 28L x 26, Diamond Tread
19 173-158	4	Wheel; DW20A-26, 10-Hole, 0 offset (High Flotation)
174-677	4	Wheel; 26.00 x DW25A, 10-Hole, 0 offset (High Flotation)
20 140-436	4	Bushing; Nylon, 4 3/4" OD x 3/8" x 4 3/16"
21 140-437	2	Pivot Pin; Bolt, 174-944 Grade 8, Lock nut 171-671 Grade 8
22 170-865	4	Grease Zerk; 1/8" NPT
23 141-121	2	Spacer Ring
24 140-435	3	Thrust Washer; 4 3/4" x 6-1/2" x 1/8" Thk.

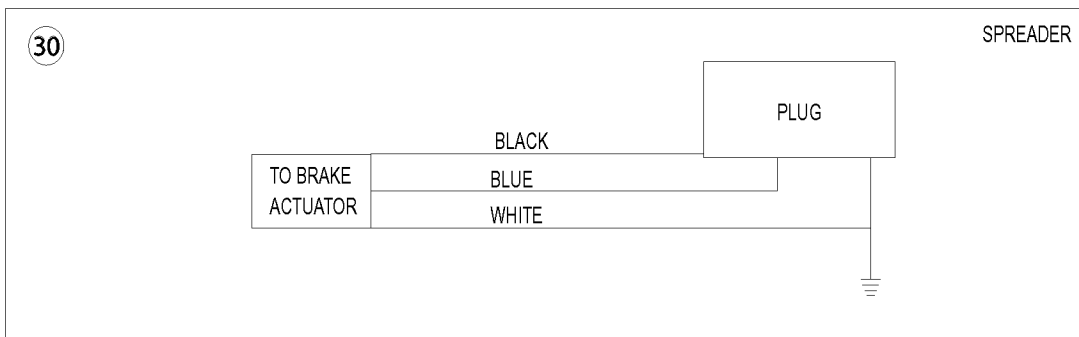
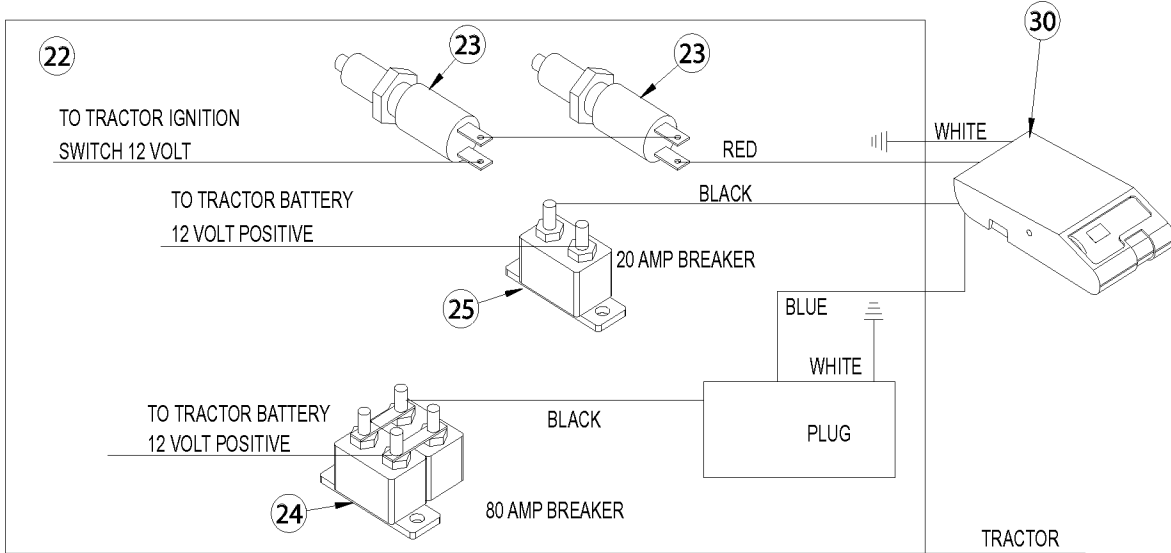
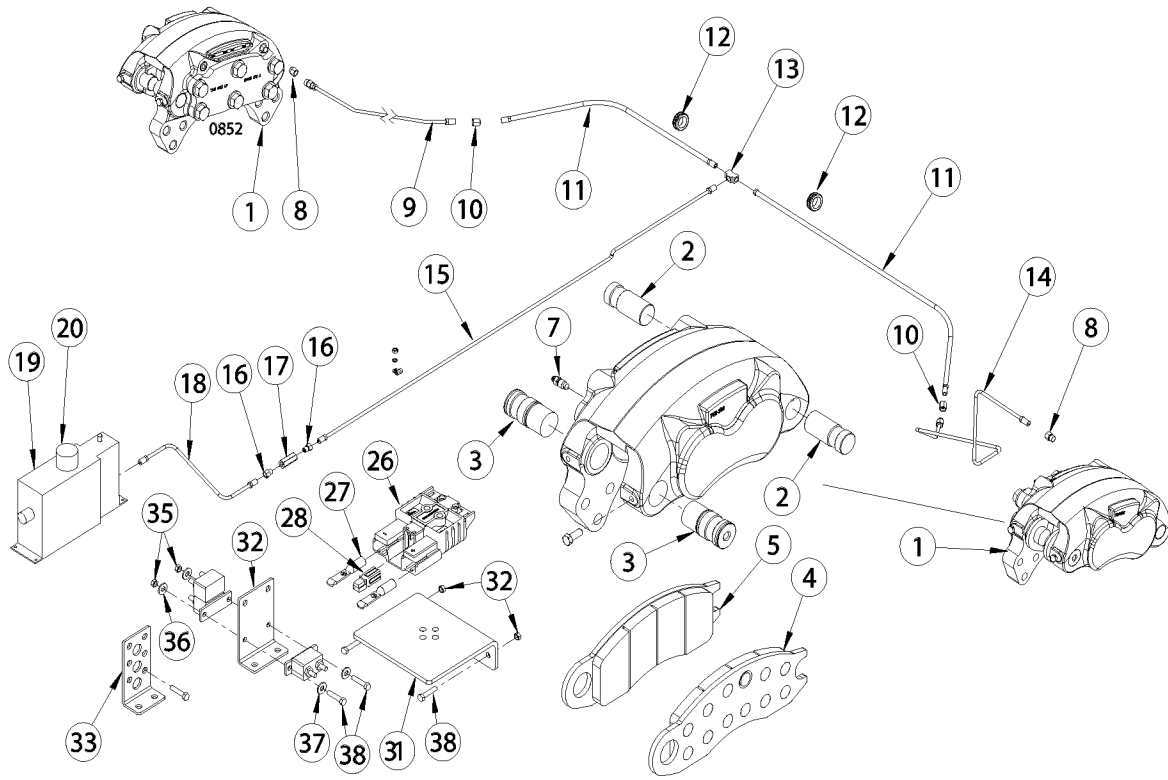
Hydraulic Brake Parts (8132HF Series E And After)



Hydraulic Brake Parts (8132HF Series E And After)

REF	PART NO	QTY	DESCRIPTION
1	176-339	1	Straight Adapter, M18-1.50Y x 06JM
2	175-728	1	Tee Adapter, 06JM x 06JM x 06JM
3	174-012	9	Loom Clamp, Mtg Hrd: 1/4" Nut (1 ea)
4	176-027	2	Straight Adapter, 040M x 06JM
5	175-673	2	Adapter 90, 06JFS x 06JM
6	173-633	2	Wire Tie
7	A7181002	1	Valve, Mtg Hrd: #10 Screw, Lw, Nut (1 ea)
8	175-930	2	Hose, 1/4" x 102"
9	176-264	1	Hose, 1/4" x 402"
10	104-967	2	Brake Disc Mount
11	145-483	2	Plate 1/4" x 16 3/4", Mtg Hrd: 1/2" x 1 1/2" Bolt, Fw (8 ea)
12	177-448	2	Brake Caliper
13	177-812	5	Grommet, Rubber, 1.00 ID x .25
14	146-190	2	Sheet, 12 Gauge, Mtg Hrd: 5/16" x 3/4" Bolt, Fw (2 ea)
15	176-955	20	Wheel Stud
16	170-803	1	Bolt, 1/4" x 3/4"
17	178-473	1	Brake Seal Kit (not shown)

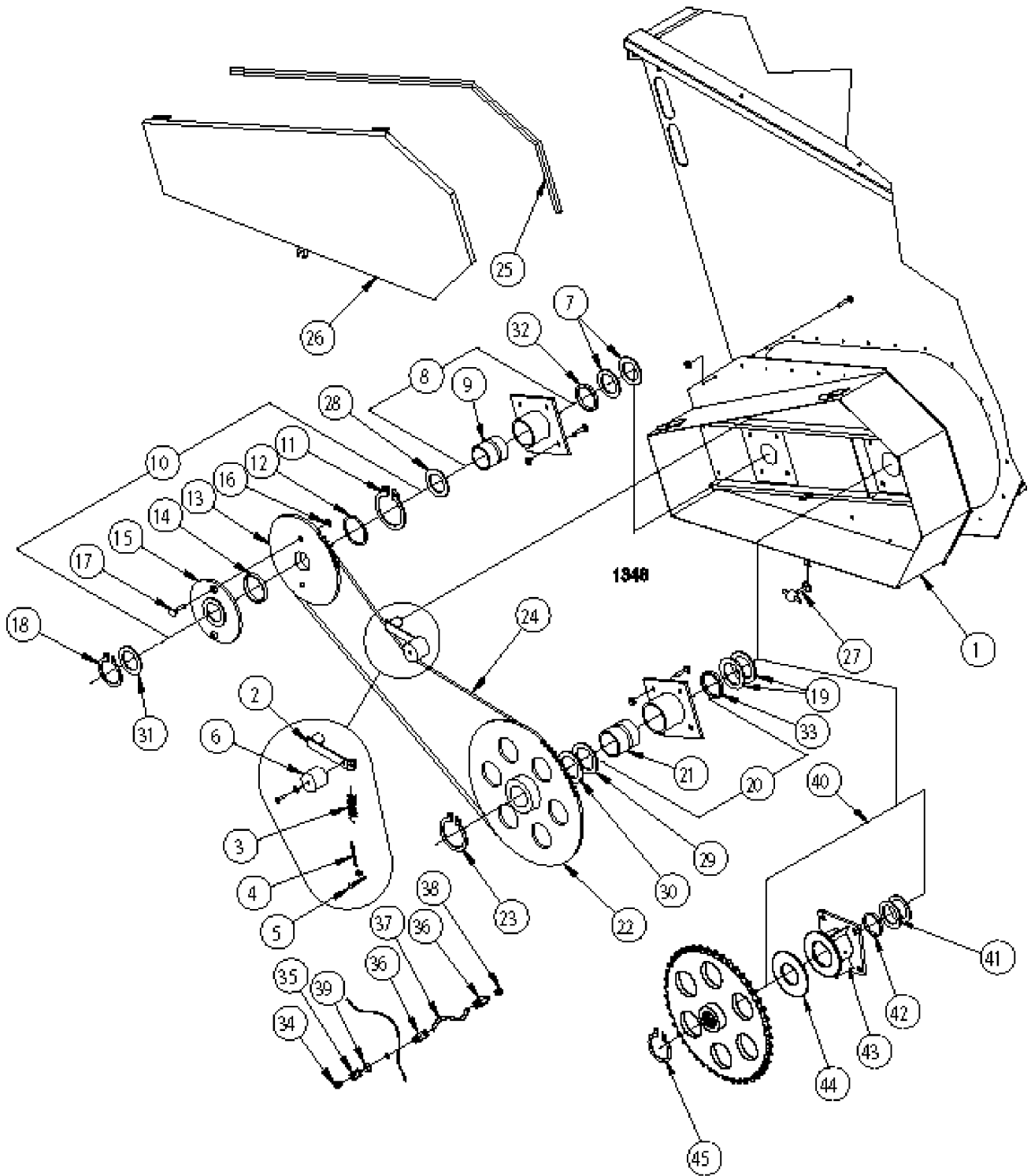
Electronic Brake Parts (8132HF Series E And After)



Electronic Brake Parts (8132HF Series E And After)

REF	PART NO	QTY	DESCRIPTION
1	175-592	2	CALIPER, BRAKE; Mtg Hrd: 3/4" x 2" Lw, (6ea)
2	176-079	2	BRAKE, PIN, TORQUE
3	176-080	2	BRAKE, PIN, TORQUE, TAPPED
4	176-081	1	BRAKE, LINING ASSY
5	176-082	1	BRAKE, LINING ASSY
6	176-083	1	BRAKE, SEAL, KIT (not shown)
7	176-085	1	BRAKE, VALVE, BLEEDER
8	176-078	2	BRAKE, ADAPTER, STR
9	176-949	1	TUBE, BRAKE,.25 OD X .035 WALL RH BOGIE
10	176-104	2	ADAPTER, STR, .44
11	176-947	2	HOSE, ASSY, .19X 25.00 BRAKE HOSE
12	177-812	2	GROMMET, Rubber, 1.00 ID x .31GRV
13	176-103	1	ADAPTER, TEE, .44
14	176-948	1	TUBE, BRAKE,.25 OD X .035 WALL LH BOGIE
15	104-967	1	TUBE, BRAKE,.25 OD X .035 WALL MAIN LINE;Mtg hrd:176-105clamp,1/4"flN(5ea)
16	175-655	2	ADAPTER, STR, 02PM X 04WF BRAKE FITTING
17	175-656	1	VALVE, RESIDUAL, 10 PSI BRAKE RESIDUAL VALVE
18	176-132	1	TUBE, BRAKE,.25 OD X .035 WALL
19	175-594	1	ACTUATOR, BRAKE, HYDRAULIC; Mtg Hrd: 1/4" x 1" Bolt Lw, N
20	176-084	1	BRAKE, CAP, FILLER
21	176-105	5	STRAP, LOOP, .25 RUBBER CUSHIONED; Mtg Hrd: 1/4" Lw, N
22	176-125	1	BRAKE WIRING KIT TR HARNESS
23	176-124	2	SWITCH, BRAKE
24	176-127	1	CIRCUIT BREAKER, 80 AMP, 12VDC
25	176-128	1	CIRCUIT BREAKER, 20 AMP, 12VDC
26	176-129	1	PLUG, YELLOW HOUSING ONLY
27	176-130	1	PLUG, CONTACT SET (2)
28	176-131	1	PLUG, AUXILIARY CONTACT KIT
29	175-557	1	CONTROLLER, BRAKE, ELECTRIC DRAW-TITE ACTIVATOR II 5500
30	176-126	1	BRAKE WIRING KIT
26	176-129	1	PLUG, YELLOW HOUSING ONLY
27	176-130	1	PLUG, CONTACT SET (2)
28	176-131	1	PLUG, AUXILIARY CONTACT KIT
31	144-092	1	PLUG HOUSING MOUNT; MTG HRD: #10 X 1 1/4" B,N (2ea)
32	144-091	1	CIRCUIT BREAKER MOUNT; MTG HRD: #10 X 3/4" B,N (2ea)
33	144-090	2	STOP SWITCH MOUNT

Rear Drive Parts (Model 8132 S/N F0001 And After)



Rear Drive Parts (Model 8132 S/N F0001 And After)

REF	PART NO	QTY	DESCRIPTION
1	105-372	1	Rear Drive Enclosure; Mtg Hrd: 3/8" x 1" Bolt, LW, & Nut (22 ea)
2	101-911	1	Chain Tightener Arm
3	172-751	1	Spring; 1 1/2" OD x 8 1/4"
4	170-845	1	Machine Chain; #4 x 17 Links, 7/16" FW
5	170-800	1	Clinch Pin; 1 1/2" Long
6	134-086	1	Tightener Block; 3" x 3", Mtg Hrd: 1/2" x 4" Bolt, FW, LW, & Nut
7	135-597	2	Washer; Plastic, 3" ID, 4 1/2" OD x 1/4" Thk.
8	102-214	1	Bearing Assembly; 3" ID; Mtg Hrd: 5/8" x 1 1/2" Bolt, LW, & Nut (4 ea)
9	135-612	1	Bearing Sleeve, 3" ID x 3-3/4" OD x 3-5/8" Lg.
10	103-618	1	Shear Sprocket Assembly, 120-B-27 - 3" Bore
11	171-989	1	Snap Ring, 4" External, Waldes 5100 Series
12	134-892	1	Retainer Plate
13	103-619	1	Shear Sprocket Weldment, 120-A-27
	141-694	2	Shear Sleeve
14	134-481	1	Bushing; Straight 4" ID x 4 1/2" OD
15	103-620	1	Shear Sprocket; Hub Weldment
	141-693	2	Shear Sleeve
16	170-031	2	Lock Nut; 5/8" grade 5 (4 Spare Nuts Inside Rear Drive Enclosure)
17	170-258	2	Shear Bolt; 5/8" x 3" grade 5 (4 Spare Bolts Inside Rear Drive Enclosure)
18	171-934	1	Snap Ring; 3" External, Waldes 5100 Series
19	135-598	2	Washer, Plastic, 3 1/2" ID, 5" OD
20	102-249	1	Bearing; Assembly, 3 1/2" ID; Mtg Hrd: 5/8" x 1 1/2" Bolt, LW, & Nut (4 ea)
21	135-662	1	Bearing Sleeve, 3-1/2" ID x 4-1/4" OD x 3-7/8" Lg.
22	134-792	1	Sprocket; 120-B-48 3 1/2" Splined Bore
23	171-607	1	Snap Ring; 3 1/2" External, Waldes 5100 Series
24	171-764	1	Roller Chain; 120-1-76 Pitch, W/Connector Link
25	171-935*	6'	Foam Seal
26	105-250	1	Rear Drive Enclosure Cover
27	170-950	1	Rubber Latch; Mtg Hrd: 171-137 Pin, 170-992 Cotter Pin
28	136-285	1	Washer; Nylon, 3" ID, 4 1/4" OD 1/8" Thick
29	140-426	1	Washer; Steel, 3 1/2" ID, 5-1/16" OD 1/4" Thick
30	136-286	1	Washer; Nylon, 3 1/2" ID, 5" OD 1/8" Thick
31	136-040	A/R	Washer; Steel, 3 1/2" ID, 4 1/4" OD 10GA Thick
32	172-873	1	Quadring Seal; 3" ID
33	172-874	1	Quadring Seal; 3 1/2" ID

GREASE LINES

34	170-865	1	Grease Zerk 1/8" NPT
35	172-024	1	Coupling
36	172-822	2	Compression Fitting
37	180-630*	5'	Grease Line Tubing(Total length required for all grease fittings)
		15"	Required for lower auger rear bearing
		42"	Required for upper auger rear bearing
38	172-823**	1	Adapter Fitting
39	170-244	1*	Flat Washer 3/8"

BEARING KIT

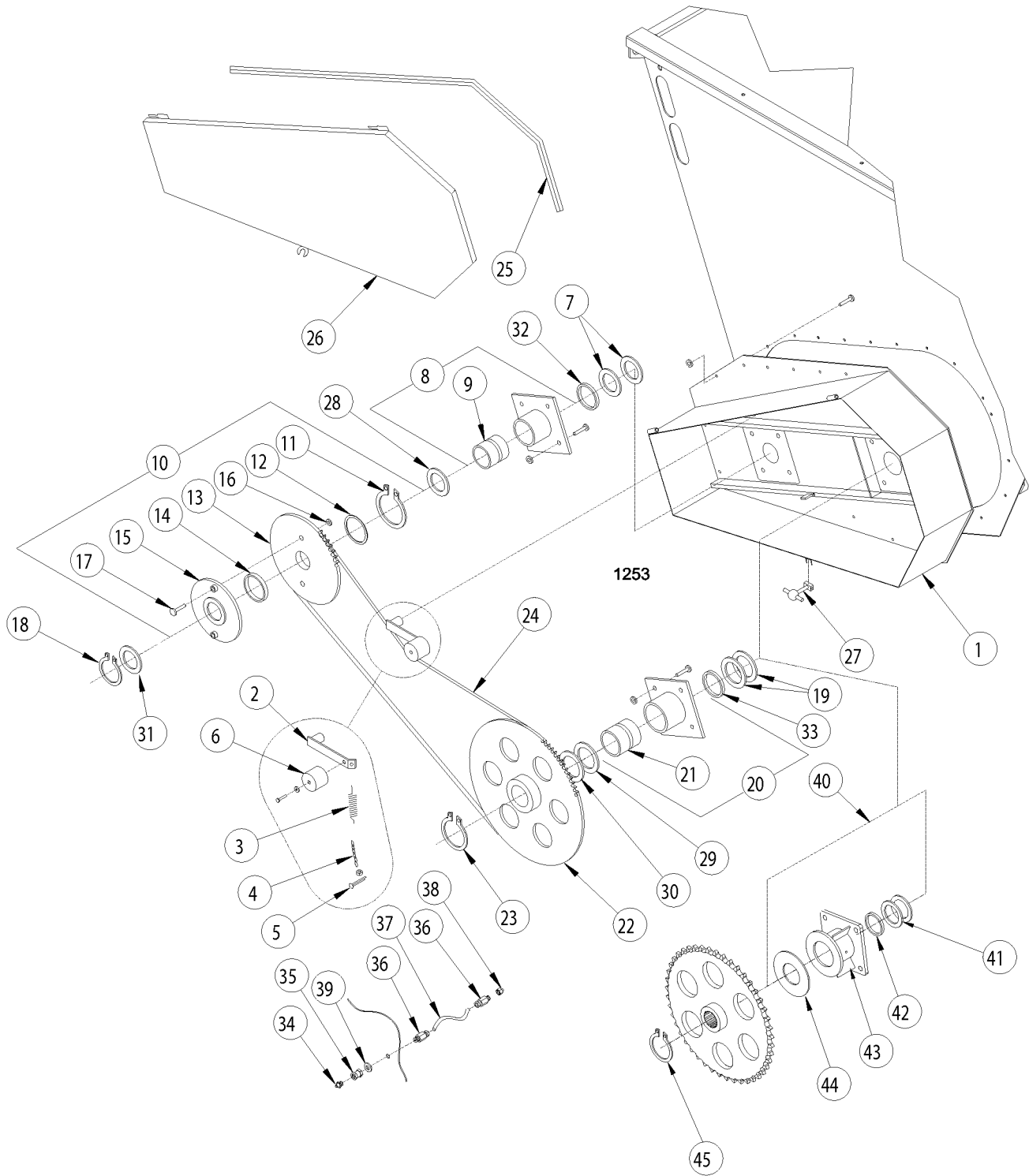
40	300-067***	1	Sealed Thrust Bearing Kit (Will fit all 8132's and 8140's)
41	135-598***	2	Plastic Washer
42	172-874***	1	Quad Seal
43	104-300***	1	Bearing
44	143-205***	1	Nylatron Washer
45	171-607***	1	Snap Ring

* Sold by the linear foot.

** Not required on all installations.

*** Used on serial number (B0270 and after on the 8132) and (A0206 and after on the 8140)

Rear Drive Parts (Model 8132 S/N Before F0001 and All 8140)



Rear Drive Parts (Model 8132 S/N Before F0001 and All 8140)

REF	PART NO	QTY	DESCRIPTION
1	103-601	1	Rear Drive Enclosure; Mtg Hrd: 3/8" x 1" Bolt, LW, & Nut (22 ea)
2	101-911	1	Chain Tightener Arm
3	172-751	1	Spring; 1 1/2" OD x 8 1/4"
4	170-845	1	Machine Chain; #4 x 17 Links, 7/16" FW
5	170-800	1	Clinch Pin; 1 1/2" Long
6	134-086	1	Tightener Block; 3" x 3", Mtg Hrd: 1/2" x 4" Bolt, FW, LW, & Nut
7	135-597	2	Washer; Plastic, 3" ID, 4 1/2" OD x 1/4" Thk.
8	102-214	1	Bearing Assembly; 3" ID; Mtg Hrd: 5/8" x 1 1/2" Bolt, LW, & Nut (4 ea)
9	135-612	1	Bearing Sleeve, 3" ID x 3-3/4" OD x 3-5/8" Lg.
10	103-618	1	Shear Sprocket Assembly, 120-B-27 - 3" Bore
11	171-989	1	Snap Ring, 4" External, Waldes 5100 Series
12	134-892	1	Retainer Plate
13	103-619	1	Shear Sprocket Weldment, 120-A-27
	141-694	2	Shear Sleeve
14	134-481	1	Bushing; Straight 4" ID x 4 1/2" OD
15	103-620	1	Shear Sprocket; Hub Weldment
	141-693	2	Shear Sleeve
16	170-031	2	Lock Nut; 5/8" grade 5 (4 Spare Nuts Inside Rear Drive Enclosure)
17	170-258	2	Shear Bolt; 5/8" x 3" grade 5 (4 Spare Bolts Inside Rear Drive Enclosure)
18	171-934	1	Snap Ring; 3" External, Waldes 5100 Series
19	135-598	2	Washer, Plastic, 3 1/2" ID, 5" OD
20	102-249	1	Bearing; Assembly, 3 1/2" ID; Mtg Hrd: 5/8" x 1 1/2" Bolt, LW, & Nut (4 ea)
21	135-662	1	Bearing Sleeve, 3-1/2" ID x 4-1/4" OD x 3-7/8" Lg.
22	134-792	1	Sprocket; 120-B-48 3 1/2" Splined Bore
23	171-607	1	Snap Ring; 3 1/2" External, Waldes 5100 Series
24	171-764	1	Roller Chain; 120-1-76 Pitch, W/Connector Link
25	171-935*	6'	Foam Seal
26	103-629	1	Rear Drive Enclosure Cover
27	170-950	1	Rubber Latch; Mtg Hrd: 171-137 Pin, 170-992 Cotter Pin
28	136-285	1	Washer; Nylon, 3" ID, 4 1/4" OD 1/8" Thick
29	140-426	1	Washer; Steel, 3 1/2" ID, 5-1/16" OD 1/4" Thick
30	136-286	1	Washer; Nylon, 3 1/2" ID, 5" OD 1/8" Thick
31	136-040	A/R	Washer; Steel, 3 1/2" ID, 4 1/4" OD 10GA Thick
32	172-873	1	Quadring Seal; 3" ID
33	172-874	1	Quadring Seal; 3 1/2" ID

GREASE LINES

34	170-865	1	Grease Zerk 1/8" NPT
35	172-024	1	Coupling
36	172-822	2	Compression Fitting
37	180-630*	5'	Grease Line Tubing(Total length required for all grease fittings)
		15"	Required for lower auger rear bearing
		42"	Required for upper auger rear bearing
38	172-823**	1	Adapter Fitting
39	170-244	1	Flat Washer 3/8"

BEARING KIT

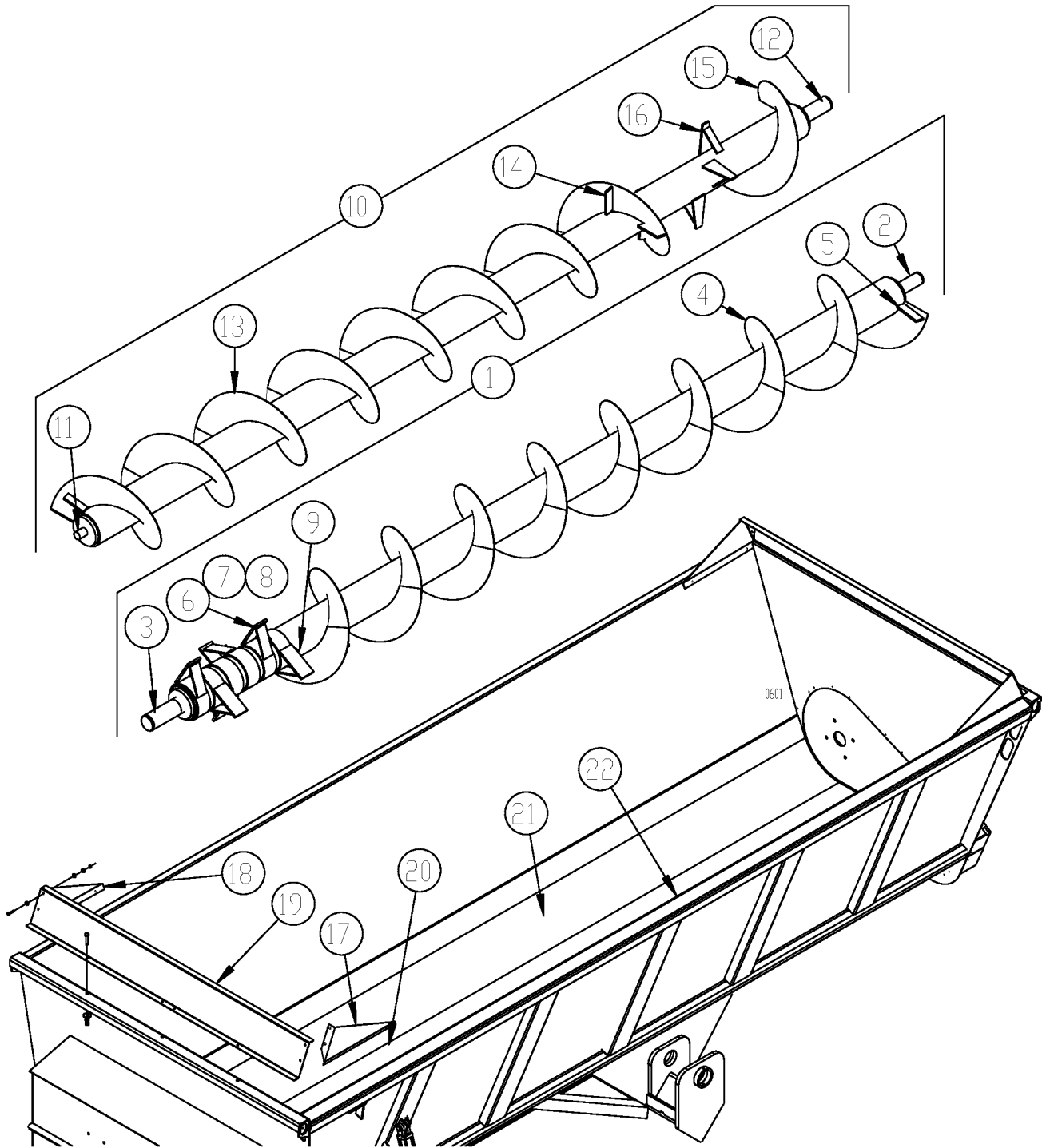
40	300-067***	1	Sealed Thrust Bearing Kit (Will fit all 8132's and 8140's)
41	135-598***	2	Plastic Washer
42	172-874***	1	Quad Seal
43	104-300***	1	Bearing
44	143-205***	1	Nylatron Washer
45	171-607***	1	Snap Ring

* Sold by the linear foot.

** Not required on all installations.

*** Used on serial number (B0270 and after on the 8132) and (A0206 and after on the 8140)

Auger and Splash Guard Parts (8140 shown)



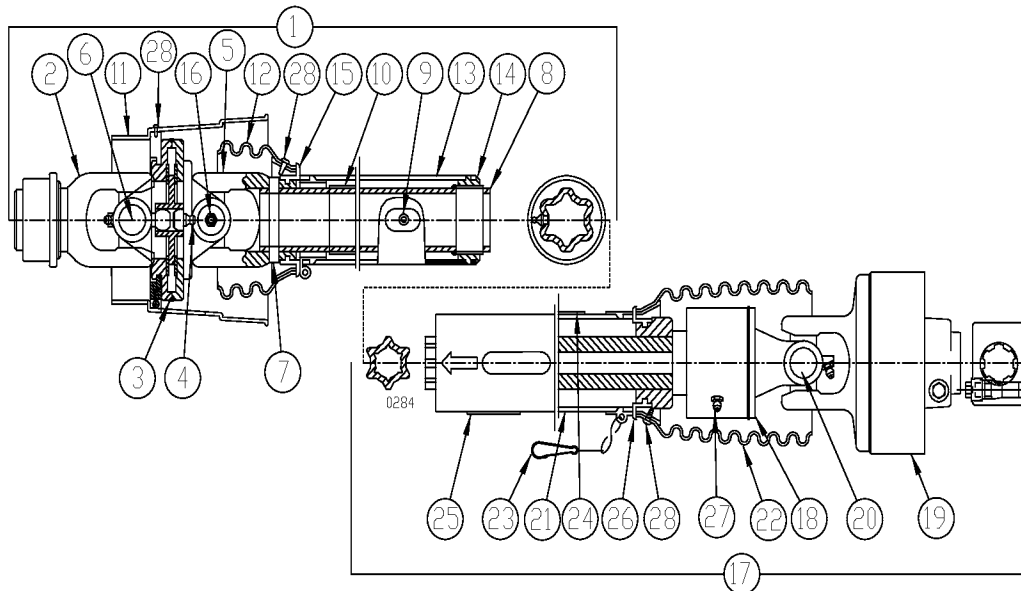
Auger and Splash Guard Parts

REF	PART NO	QTY	DESCRIPTION
1	103-638	1	Left Auger Assembly (8132)
	103-605	1	Left Auger Assembly (8140)
2	103-617	1	Rear Plug Assembly
3	103-616	1	Front Plug Assembly
4	140-417	7	Flighting; (8132) 3/8" x 24" x 8.65"ID x 24" L.H. (6.5 sections req'd)
	140-417	9	Flighting; (8140) 3/8" x 24" x 8.65"ID x 24" L.H. (8.5 sections req'd)
5	135-971	4	Flighting Brace, 1/2" x 2" x 7"
6	103-651	6	Paddle Assembly
7	171-802	6	Shear Bolt; 1/2" x 2" Grade 5
8	170-042	6	Shear Nut; 1/2" lock
9	140-420	6	Paddle Mount Lug
10	103-639	1	Right Auger Assembly (8132)
	103-604	1	Right Auger Assembly (8140)
11	103-614	1	Front Plug Assembly
12	103-615	1	Rear Plug Assembly
13	140-418	7	Flighting; (8132) 3/8" x 24" x 8.65"ID x 24" R.H. (6.5 sections req'd)
	140-418	8	Flighting; (8140) 3/8" x 24" x 8.65"ID x 24" R.H. (8.0 sections req'd)
14	135-971	6	Flighting Brace; 1/2" x 2" x 7"
15	140-417	1	Flighting; 3/8" x 24" x 8.65"ID x 24" L.H.
16	104-238	6	Paddle Assembly
17	136-717	1	Splash Guard; (LH FT & RH RR) Mtg Hrd: 174-874 Screw, 170-301 FW (2 ea)
18	136-716	1	Splash Guard; (RH FT & LH RR) Mtg Hrd: 174-874 Screw, 170-301 FW (2 ea)
19	134-861	1	Splash Guard; End (FT & RR) Mtg Hrd: 5/16" x 1" B, FW, LW, Nut (7 ea)
20	102-286	1	Shear Shelf (weld on)
21	136-714	A/R	Right hopper repair section 48" (weld on)
22	136-715	A/R	Left hopper repair section 48" (weld on)

PTO Driveline

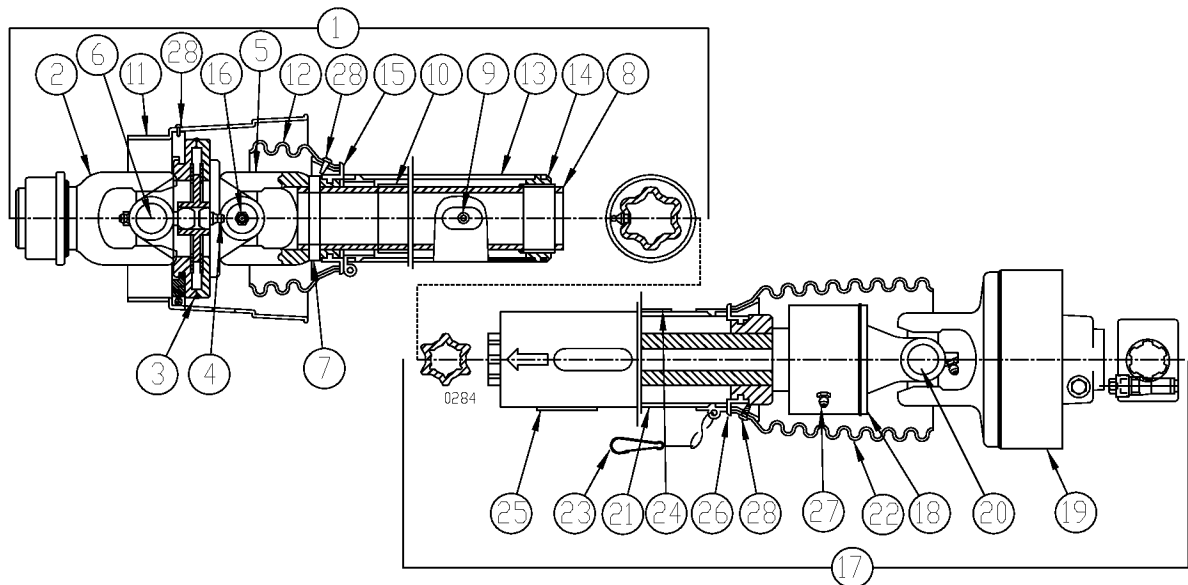
(internal spline shaft) & TORQUE DISCONNECT (1000 RPM - 21 SPLINE / 1-3/8" YOKE)

REF	PART NO	QTY	DESCRIPTION
	174-876	1	PTO Assy; W2480, 1000 RPM
1	174-971	1	Front Half Assy; Outer Profile, CV W/ Guard 1 3/8 - 21 Spline
2	172-203	1	Yoke 1 3/8 - 21 Spline
	172-028	1	Lock Collar Repair Kit
3	172-202	1	Double Yoke
4	172-208	1	Zerk
5	174-953	1	InBoard Yoke
6	172-204	1	Cross and Bearing Kit
7	171-983	1	Spring Pin, 10 x 80
8	174-954	1	Outer Profile & Sleeve
9	172-209	1	Zerk
10	171-799	1	Decal
11	172-205	1	CV Cone & Bearing Assy.
12	172-206	1	Shield Cone 3 Rib
13	174-958	1	Inner Shield
14	172-207	1	Support Bearing
15	171-979	1	Bearing Ring
16	174-960	1	Cross & Bearing Kit
17	174-970	1	Rear Half Assy, Cut-Out Clutch W/ Guard
18	174-955	1	Overrunning Clutch & Inner Profile Assy
	174-978	1	PTO Inner Profile
19	174-956	1	Cut-Out Clutch
	174-966	1	Lock Bolt; (Must be torqued to 75 Ft. Lbs.)
20	171-980	1	Cross & Bearing Kit
21	174-957	1	Outer Shield
22	174-959	1	Shield Cone 8 Rib
23	172-040	1	Safety Chain
24	171-550	1	Decal
25	172-227	1	Decal-Lubrication
26	171-979	1	Bearing Ring
27	172-208	1	Zerk
28	172-210	8	Screw (total quantity for complete assembly)



PTO Driveline**(internal spline shaft) & TORQUE DISCONNECT (1000 RPM - 20 SPLINE / 1-3/4" YOKE)**

REF	PART NO	QTY	DESCRIPTION
	174-875	1	PTO Assy; W/2480, 1000 RPM
1	174-969	1	Front Half Assy; Outer Profile, CV W/ Guard 1 3/4 - 20 Spline
2	172-224	1	Yoke 1 3/4 - 20 Spline
	174-967	1	Lock Collar Repair Kit
3	172-202	1	Double Yoke
4	172-208	1	Zerk
5	174-953	1	InBoard Yoke
6	172-204	1	Cross and Bearing Kit
7	171-983	1	Spring Pin, 10 x 80
8	174-954	1	Outer Profile & Sleeve
9	172-209	1	Zerk
10	171-799	1	Decal
11	172-205	1	CV Cone & Bearing Assy.
12	172-206	1	Shield Cone 3 Rib
13	174-958	1	Inner Shield
14	172-207	1	Support Bearing
15	171-979	1	Bearing Ring
16	174-960	1	Cross & Bearing Kit
17	174-970	1	Rear Half Assy, Cut-Out Clutch W/ Guard
18	174-955	1	Overrunning Clutch & Inner Profile Assy
	174-978	1	PTO Inner Profile
19	174-956	1	Cut-Out Clutch
	174-966	1	Lock Bolt, Must be torqued to 75 Ft. Lbs.
20	171-980	1	Cross & Bearing Kit
21	174-957	1	Outer Shield
22	174-959	1	Shield Cone 8 Rib
23	172-040	1	Safety Chain
24	171-550	1	Decal
25	172-227	1	Decal-Lubrication
26	171-979	1	Bearing Ring
27	172-208	1	Zerk
28	172-210	8	Screw (total quantity for complete assembly)

**Kuhn North America, Inc.**

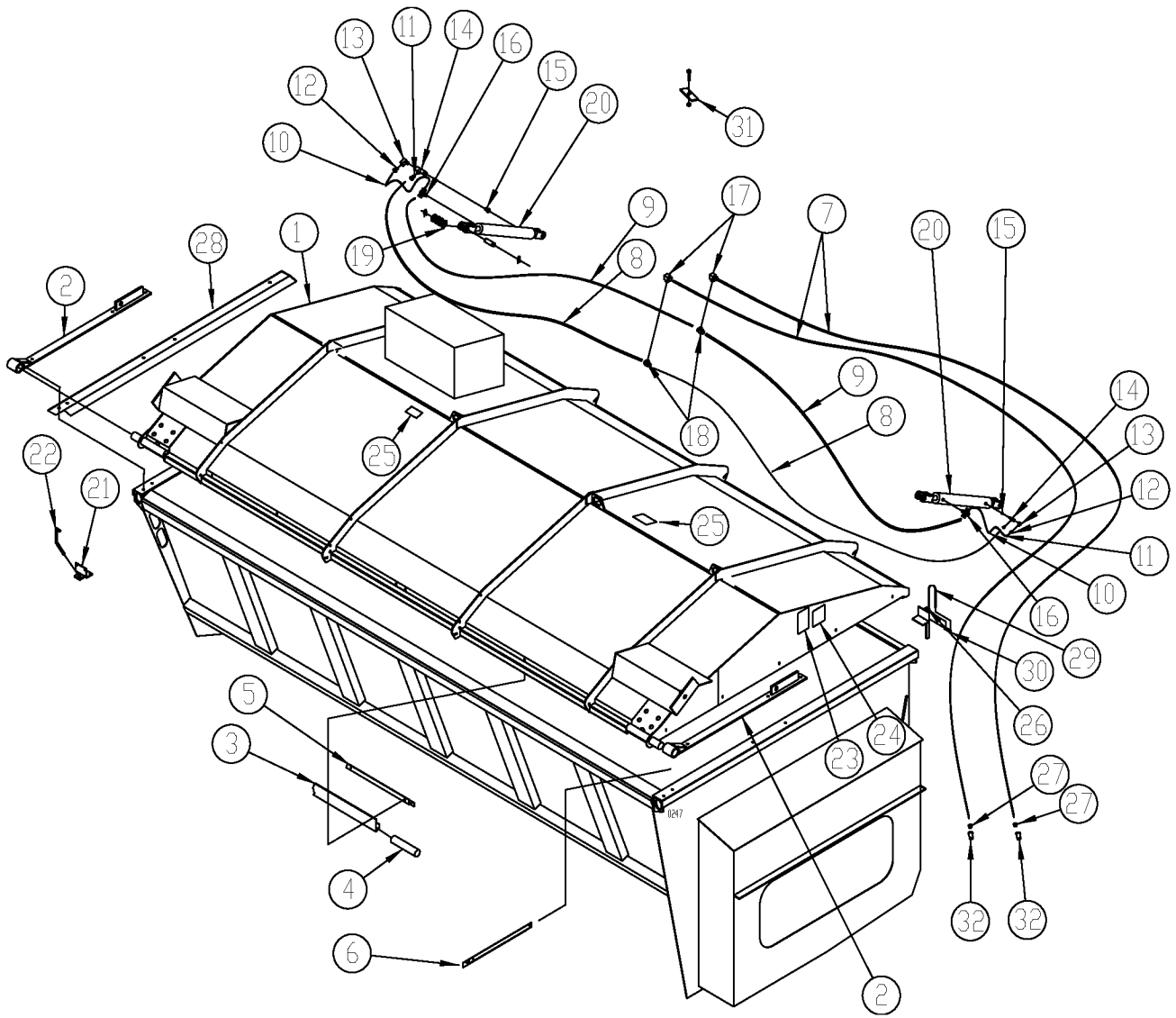
1501 West 7th Ave., Brodhead, WI 53520

Lid Parts - 8132 C Series Units

REF	PART NO	QTY	DESCRIPTION
1	105-242	1	Lid Assembly (8132TR)
2	103-762	2	Lid Hold Down Handle
3	103-768	2	Lid Hold Down Bracket
4	102-073	2	Hinge and Cylinder Mount Assy.
5	175-929	2	Hydraulic Hose; 1/4" x 20"
6	175-909	2	Hydraulic Hose; 1/4" x 118"
7	176-143	2	Hydraulic Hose; 1/4" x 294"
8	176-144	2	Hydraulic Hose; 1/4" x 138"
9	175-924	2	Hydraulic Cylinder; 2" x 18" Stroke
10	140-863	4	Side Seal Retainer, Mtg Hrd: 1/2" x 1 1/2 "B,FW (10 ea),LN (5ea)
11	140-872	2	End Seal Retainer, Mtg Hrd: 1/2" x 1 1/2 "B,FW (10 ea),LN (5ea)
12	140-873	1	End Seal Plate, Mtg Hrd: 1/2" x 1 1/2 "B,FW (10 ea),LN (5ea)
13	140-874	1	End Seal Plate, Mtg Hrd: 1/2" x 1 1/2 "B,FW (10 ea),LN (5ea)
14	140-878	2	Lid Hold Down Latch
15	140-849	2	Lid Hold Down Latch Pivot
16	175-932	2	Pilot Operated Check Valve
17	175-911	2	Adapter Straight; 06OM x 06JM
18	175-673	4	Adapter 90 Degree; 06JFS x 06JM
19	175-675	6	Adapter, Straight; 08OM x 06JM
20	175-922	2	Adapter Tee, 06JFS x 06JM x 06JM
21	175-687	2	Quick Coupler
22	174-848	49'	Polyester Seal (Not Shown)
23	174-849	49'	Foam Rubber Seal (Not Shown)
24	140-871	2	Lid Hold Down Latch
25	175-728	2	Adapter Tee; 06JM x 06JM x 06JM
26	140-468	2	Hose Attach Plate
27	143-460	2	Adapter Straight; 08OM x 08JM
28	104-483	1	Fill Hole; Mtg Hrd: 3/8" x 1 3/8" Fw (12ea)
29	143-834	1	Cover; Mtg Hrd: 3/8" x 1 3/8" Fw (12ea)

* Sold by Linear Foot

Lid Parts - 8132 Series A and B Units and All 8140 Units

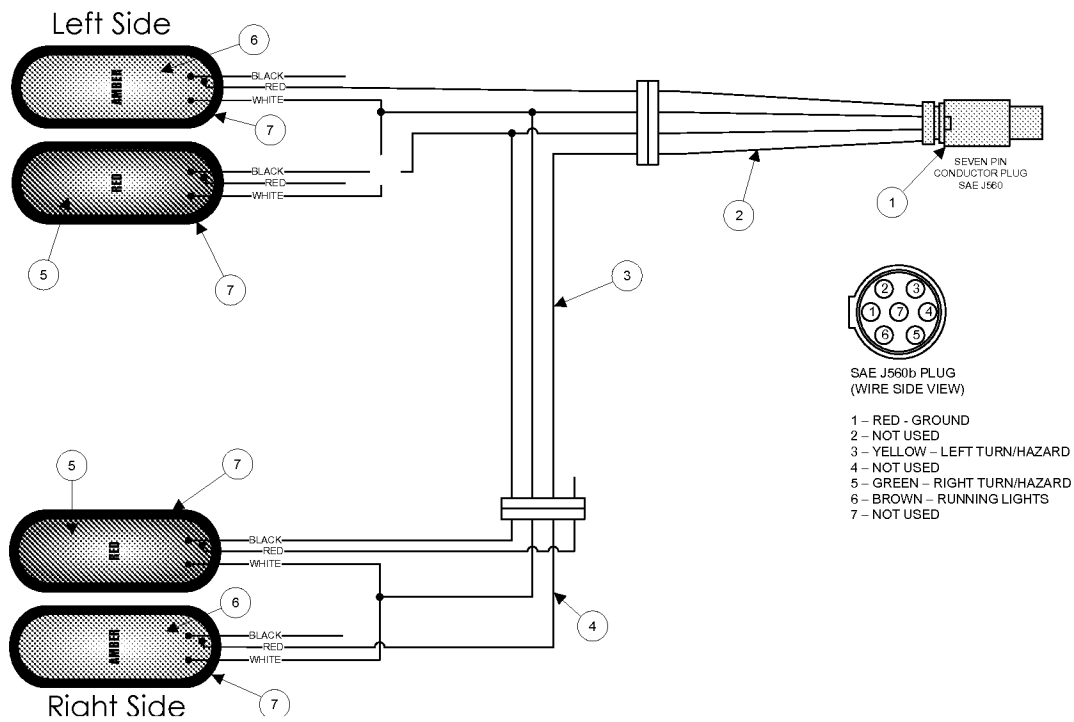


Lid Parts - 8132 Series A and B Units and All 8140 Units

REF	PART NO	QTY	DESCRIPTION
1	103-760	1	Lid Assembly (8132) (Includes Decals)
	103-761	1	Lid Assembly (8140) (Includes Decals)
2	102-073	2	Cylinder Mount - Pivot
3	174-848	49*	Polyester Fabric;(8132),Total for Unit
	174-848	57*	Polyester Fabric;(8140),Total for Unit
4	174-849	49*	Foam Rubber; 3/8" x 49' (8132)
	174-849	57*	Foam Rubber; 3/8" x 57' (8140)
5	140-863	4	Seal Retainer; RH&LH (8132) Mtg Hrd:5/16" x 1" Bolt, FW, FLN (5 ea)
	140-887	4	Seal Retainer; RH&LH (8140) Mtg Hrd:5/16" x 1" Bolt, FW, FLN (6 ea)
6	140-872	2	Seal Retainer; Front and rear, Mtg Hrd: 5/16" x 1" Bolt, FW, LN (5 ea)
7	171-460	2	Hydraulic Hose; 1/4" x 294" (8132)
	173-491	2	Hydraulic Hose; 1/4" x 304" (8140)
8	170-466	2	Hydraulic Hose; 1/4" x 138" (8132)
	170-468	2	Hydraulic Hose; 1/4" x 162" (8140)
9	173-269	2	Hydraulic Hose; 1/4" x 120" (8132)
	173-488	2	Hydraulic Hose; 1/4" x 153" (8140)
10	172-794	2	Hydraulic Hose; 1/4" x 20"
11	170-233	2	Swivel Adapter; 3/8" M x 3/8" F SW
12	171-251	2	Swivel Adapter; 1/4" To 3/8" Straight
13	172-809	2	Adapter; 90° Street Elbow, 1/4"
14	172-806	2	Pilot Operated Check Valve
15	172-808	2	Flow Restrictor; 3/8"
16	172-807	2	Swivel Tee Adapter, 3/8" F SW x 3/8"
17	171-030	2	Swivel Adapter; 3/8" M x 3/8" F SW x 90°
18	171-442	2	Tee Adapter; 3/8" (Welded to 8132 lid, clamped to 8140 lid)
19	170-122	12	Spacer Washers (Approximately 12 Req'd)
20	170-161	2	Hydraulic Cylinder; 2" x 18"; (Includes clevis pin & hairpin clip)
			(Seal Kit 170-075)
21	103-768	2	Hold Down Bracket; (8132) Mtg Hrd: 1/4" x 1" STS 174-874 (4 ea)
	103-768	3	Hold Down Bracket; (8140) Mtg Hrd: 1/4" x 1" STS 174-874 (4 ea)
22	140-871	2	Seal Rod;(8132) Mtg Hrd: 1/2" FW (2ea),LN,Cotter pin(170-045)(1ea)
		3	Seal Rod;(8140)
23	172-599	2	Decal; Danger Maintain Safe Clearance From Power Lines
24	172-787	2	Decal; Warning Crush Under Top
25	172-821	2	Decal; Caution Do Not Lift Implement Here
26	103-762	2	Hold Down Bracket (8132) Mtg Hrd: 1/4" x 1" STS 174-874 (4ea)
	103-762	3	Hold Down Bracket (8140) Mtg Hrd: 1/4" x 1" STS 174-874 (4ea)
27	170-235	2	Reducer Fitting; 1/2" To 3/8"
28	140-873	1	Seal Retainer (Front) Mtg Hrd: 1/2" x 1-3/4" Bolt,FW (10 ea), LN (5 ea)
	140-874	1	Seal Retainer (Rear) Mtg Hrd: 1/2" x 1-3/4" Bolt,FW (10 ea), LN (5 ea)
29	140-878	2	U- Bolt; (8132) Mtg Hrd: 5/16" FLN, (2 ea)
	140-878	3	U- Bolt; (8140) Mtg Hrd: 5/16" FLN, (2 ea)
30	140-879	2	Hold Down Pivot Bar (8132)
	140-879	3	Hold Down Pivot Bar (8140)
31	140-468	1	Hose Hold-Down Bracket;Mtg Hrd: 5/16"x1 3/4"B,FLN(1ea 8140 Only)
32	175-536	4	Pioneer Quick Coupler

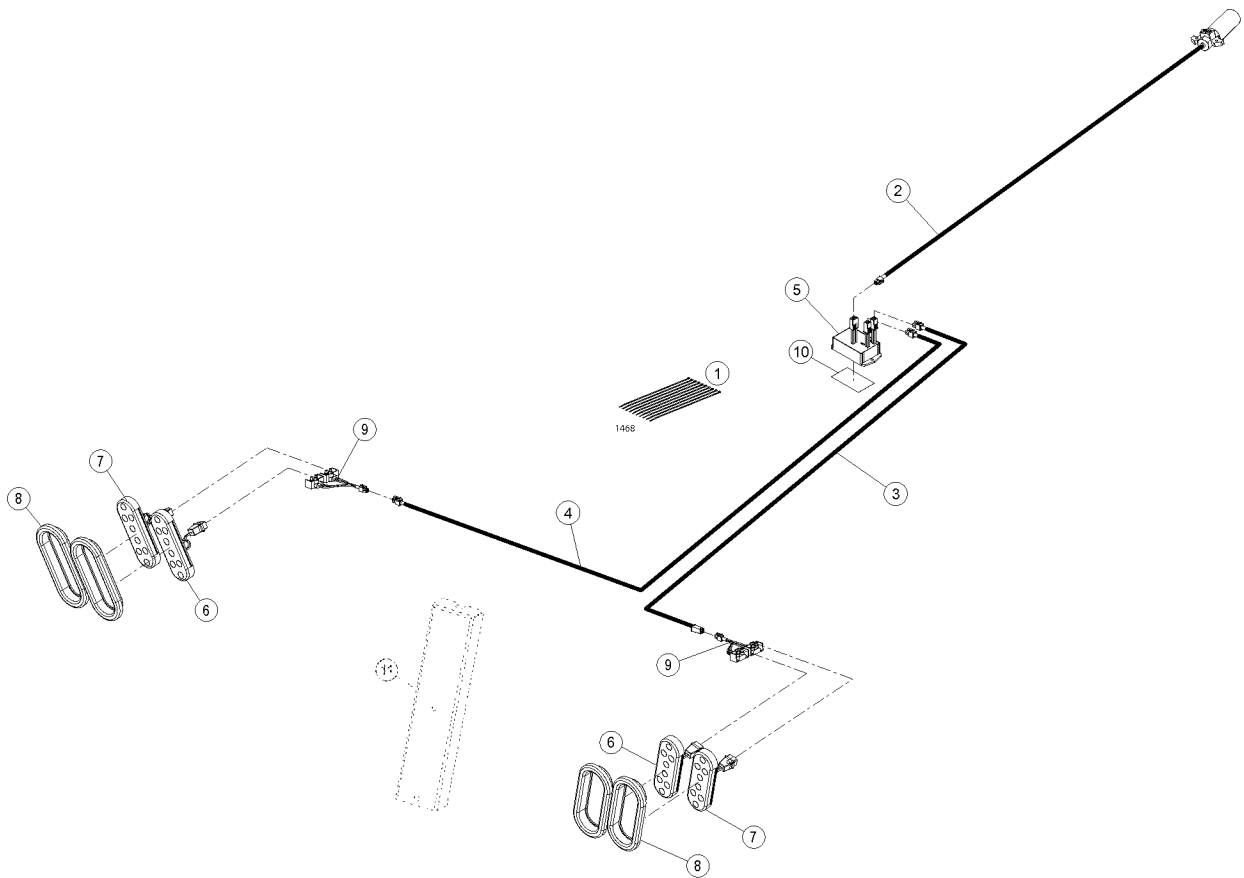
* Sold by Linear Foot

Light Kit, before series G0001



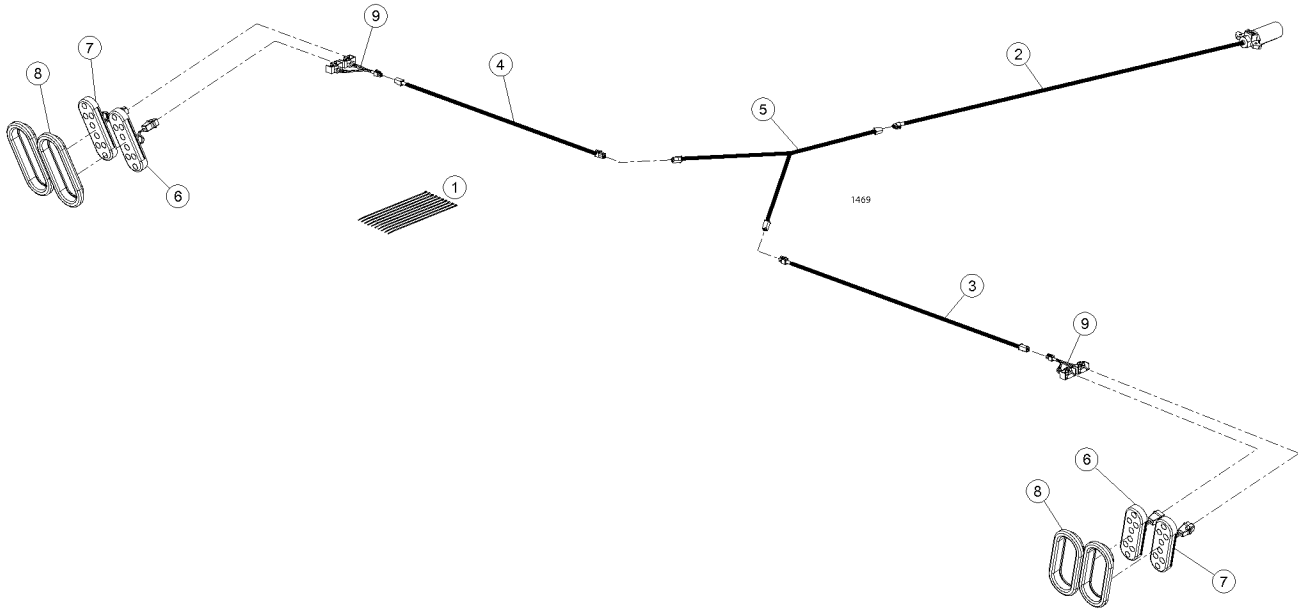
REF	PART NO	QTY	DESCRIPTION
	70174675	1	Light Kit
1	70172110	1	7 Pin Connector
2	70174775	1	Main Harness
3	70176848	1	Light, LH Harness
4	70177480	1	Light, RH Harness
5	70174674	2	Light, Red Oval
6	70174673	2	Light, Amber Oval
7	70174725	4	Light, Grommet

Enhanced lighting (SAE), series G0001



REF	PART NO	QTY	DESCRIPTION
1	70172278	10	Tie, wire, 5.75 std black
2	70178254	1	Front harness
3	70178256	1	Right harness
4	70178263	1	Left harness
5	70178104	1	Module
6	70178245	2	Amber light
7	70178246	2	Red light
8	70174725	4	Grommet
9	70178106	2	Pigtail harness
10	76034820	1	Tape, double-sided, adhesive
11	70144106	2	light cover

Enhanced lighting (ISO), series G0001



REF	PART NO	QTY	DESCRIPTION
1	70172278	10	Tie, wire, 5.75 std black
2	70178239	1	Front harness
3	70178256	1	Right harness
4	70178263	1	Left harness
5	70178172	1	Y-harness
6	70178245	2	Amber light
7	70178246	2	Red light
8	70174725	4	Grommet
9	70178106	2	Pigtail harness

Decal and Paint List

Use the operator's manual for safety decal location.

Unit Decals:

PART NO	QTY	DESCRIPTION
175-891	1	Complete Set of Decals (8132TR & 8132HF)
175-892	1	Complete Set of Decals (8140TR)
170-490	1	Engage PTO Slowly
170-849	2	Warning...Stay clear of Power Driven Parts
170-893	1	Slow Moving Vehicle Sign
171-304	1	Door Gauge
171-550	1	Danger... Keep Away
171-609	1	Caution...Do Not Exceed
171-712	1	Retighten Set Screws
171-799	1	Danger... Shield Missing
171-820	4	Danger... Rotating Auger
171-821	2	Danger...Material Discharges
171-913	1	Warning...Do Not Operate
171-915	2	Danger...Shield Missing
172-171	1	Caution...Read Operators Manual
172-759	1	U.S. Patent Decal
172-820	1	Caution...Lifting Instructions
172-883	1	Oil Level Plug
173-040	1	Caution...PTO Operation
177-357	2	"Kuhn Knight" Logo 15" high (Left)
177-358	2	"Kuhn Knight" Logo 15" high (Right)
177-418	2	"8132" (8132 and 8132HF Only)
177-419	2	"8140" (8140 Only)
174-686	2	Red Reflector
177-494	2	"Slinger" Decal
177-504	2	"ProTwin" Decal

Lid Decals:

PART NO	QTY	DESCRIPTION
172-821	2	Decal; Caution - Do Not Lift Here
172-599	1	Decal; Danger - Overhead Wires
172-787	2	Decal; Warning - Crushing Under Top..(Front & Rear)

Paint:

177-243	Kuhn Knight Gray, Aerosol Can
177-242	Kuhn Knight Gray, Quart Can
177-241	Kuhn Knight Gray, Gallon Can

Safety Chain For Towed Equipment

PART NO 173-077

This chain is designed to retain the connection between the towing and towed machines in the event of separation of the primary attaching system. It should be used whenever the unit is transported on the highway.

Hardware Part Number Listing

All fasteners are NC thread, Grade 5 unless otherwise specified.

HEX HEAD BOLTS

Size.....	Part No
1/4 x 1/2	173-279
1/4 x 3/4	170-803
1/4 x 7/8	171-094
1/4 x 1	170-310
1/4 x 1-1/2	170-068
1/4 x 2	172-986
1/4 x 2 (Grade 8)	175-073
1/4 x 2-3/4	171-203
1/4 x 3	171-403
1/4 x 3-1/2	173-640
1/4 x 4	173-505
5/16 x 5/8	170-532
5/16 x 3/4	170-262
5/16 x 3/4 (Stainless steel)	174-787
5/16 x 7/8	170-256
5/16 x 1	170-027
5/16 x 1-1/4 (Full thread)	170-188
5/16 x 1-1/2	170-372
5/16 x 1-3/4	170-263
5/16 x 2	172-987
5/16 x 2-1/2	170-369
5/16 x 3	170-295
5/16 x 3-1/4	171-639
5/16 x 3-1/2	173-748
5/16 x 4	170-293
5/16 x 4-1/2	170-294
5/16 x 5 (Grade 8)	172-983
5/16 x 5-1/2 (Grade 8)	172-952
3/8 x 3/4	170-439
3/8 x 3/4 (Stainless steel)	174-788
3/8 x 7/8	170-268
3/8 x 1	170-054
3/8 x 1-1/4	170-005
3/8 x 1-1/4 (Stainless steel)	174-917
3/8 x 1-1/2	170-368
3/8 x 1-3/4	172-383
3/8 x 2	170-245
3/8 x 2-1/4	170-320
3/8 x 2-1/2	170-257
3/8 x 2-1/2 (Full thread)	170-128
3/8 x 2-1/2 (Lag)	171-775
3/8 x 3	170-380
3/8 x 3-1/2	170-292
3/8 x 4	170-877
3/8 x 4-1/4 (Black oxide)	171-813
3/8 x 4-1/2	170-519
3/8 x 5	170-493
3/8 x 5-1/2	174-196
3/8 x 5-1/2 (Full thread)	170-593
3/8 x 6	174-304
3/8 x 6-1/2	171-291
3/8 x 7	172-587
7/16 x 3/4	170-265
7/16 x 1	170-032
7/16 x 1-1/4	170-354
7/16 x 1-1/4 (Grade 8)	174-216
7/16 x 1-1/2	170-059
7/16 x 2	170-356
7/16 x 2-1/2	170-379
7/16 x 3	170-270
7/16 x 5-1/2	170-377
7/16 x 6	170-378
1/2 x 3/4	171-252
1/2 x 1	170-149
1/2 x 1-1/4	170-373
1/2 x 1-1/2	170-002

1/2 x 1-1/2 (Grade 8)	172-951
1/2 x 1-3/4	171-774
1/2 x 2	171-802
1/2 x 2-1/4	172-387
1/2 x 2-1/2	170-885
1/2 x 2-1/2 (Full thread)	171-099
1/2 x 2-3/4	172-007
1/2 x 3	170-168
1/2 x 3-1/2	170-167
1/2 x 3-1/2 (Grade 8)	172-950
1/2 x 4	173-111
1/2 x 4 (Full thread)	171-509
1/2 x 4-1/2	175-920
1/2 x 4-1/2 (Grade 8)	171-573
1/2 x 5	171-412
1/2 x 6	173-506
1/2 x 6 (Grade 8)	174-944
1/2 x 6-1/2	173-711
1/2 x 7	174-328
1/2 x 7-1/2	175-107
1/2 x 8-1/2	170-504
1/2 x 11	170-506
9/16 x 1	173-699
9/16 x 1-1/4	173-700
9/16 x 1-1/2	173-701
9/16 x 2	172-219
5/8 x 1	171-087
5/8 x 1-1/4	171-366
5/8 x 1-1/2	170-153
5/8 x 1-3/4 (Full thread)	170-030
5/8 x 2	170-009
5/8 x 2 (Full thread)	171-772
5/8 x 2-1/4	173-009
5/8 x 2-1/2	172-381
5/8 x 2-1/2 (Full thread)	170-129
5/8 x 2-3/4	172-356
5/8 x 3	170-258
5/8 x 3-1/2	170-038
5/8 x 4	170-371
5/8 x 4-1/2	170-067
5/8 x 5	170-065
5/8 x 5-1/2	172-421
5/8 x 6	170-381
5/8 x 6-1/2	173-777
5/8 x 7-1/2	173-019
5/8 x 9-1/2	171-039
3/4 x 1-1/2	173-507
3/4 x 2	171-768
3/4 x 2 (Full thread)	170-058
3/4 x 2 (Grade 8)	171-877
3/4 x 2-1/4	171-275
3/4 x 2-1/2	170-374
3/4 x 2-1/2 (Grade 8)	175-055
3/4 x 3	170-014
3/4 x 3 UNF	173-776
3/4 x 3-1/2	170-195
3/4 x 3-1/2 (Grade 8)	171-899
3/4 x 4	170-419
3/4 x 4 (Grade 8) UNF	173-579
3/4 x 4-1/2	170-846
3/4 x 4-1/2 (Grade 8)	173-039
3/4 x 4-1/2 (Grade 8) UNF	173-588
3/4 x 5	173-508
3/4 x 5 UNF	173-510
3/4 x 5-1/2 (Grade 8) UNF	173-514
3/4 x 6	171-116
3/4 x 6 UNF	173-511
3/4 x 6 (Grade 8)	173-231

3/4 x 6 1/2	176-148
3/4 x 7	173-745
3/4 x 7 UNF	173-747
3/4 x 7-1/2	175-004
3/4 x 8	173-509
7/8 x 2-1/4	172-892
7/8 X 2-1/2	175-633
7/8 x 3	172-002
7/8 x 3-1/2	173-020
7/8 x 4	173-299
7/8 x 4-1/2	175-953
7/8 x 4 UNF	171-092
7/8 x 6-1/2	173-774
7/8 x 7	173-749
7/8 x 7 UNF	174-097
7/8 x 8	173-750
7/8 x 8 UNF	173-515
1 x 3-1/2	173-021
1 x 4	175-119
1 x 4 (Grade 8)	175-248
1 x 7 UNF	173-516
1 x 8	174-723
1 x 8 (grade 8) UNF	173-713
1-1/4 x 4-1/2 (grade 8)	175-003
M8 x 16MM (Grade 8.8)	174-610
M8 x 20MM (Grade 8.8)	175-193
M8 x 25MM (Grade 8.8)	174-900
M10 x 22MM (Grade 8.8)	175-016
M10 x 25MM (Grade 8.8)	173-344
M12 x 25MM (Grade 8.8)	171-566
M12 x 35MM (Grade 8.8)	175-020
M12 x 40MM (Grade 12.9)	175-190
M12 x 45MM (Grade 10.9)	174-911
M14 x 30MM (Grade 8.8)	173-518
M16 x 40MM (Grade 8.8)	175-631
M16 x 44MM (Grade 8.8)	175-634

SOCKET HEAD CAP SCREW

3/8 x 7/8	172-044
1/2 x 2-1/2	175-921

SELF TAPPING SCREW

1/4 x 3/4	174-874
-----------------	---------

CARRIAGE BOLTS

1/4 x 1-1/4 (Grade 2)	170-311
1/4 x 1-1/2 (Grade 2)	170-355
1/4 x 2 (Grade 2)	170-299
1/4 x 2-1/2 (Grade 2)	171-394
1/4 x 2-3/4 (Grade 2)	170-508
1/4 x 3	170-509
5/16 x 1 (Grade 2)	170-370
5/16 x 1-1/2 (Grade 2)	170-296
5/16 x 2-1/2 (Grade 2)	171-395
5/16 x 5-1/2 (Grade 2)	170-494
3/8 x 3-1/2 (Grade 2)	171-283
3/8 x 4-1/2 (Grade 2)	170-191
3/8 x 5 (Grade 2)	170-495
3/8 x 6-1/2 (Grade 2)	171-174
3/8 x 8 (Grade 2)	170-297
3/8 x 13 (Grade 2)	170-298
3/8 x 13-1/2 (Grade 2)	170-300
1/2 x 1-1/2 (Grade 5)	174-918
1/2 x 6-1/2 (Grade 2)	171-098
1/2 x 9 (Grade 2)	171-255
5/8 x 2	175-110
5/8 x 2-1/2 (Grade 5)	174-790

PLOW BOLTS

5/8 x 2	174-767
3/4 x 2-1/2	174-948

Kuhn North America, Inc.

1501 West 7th Ave., Brodhead, WI 53520

Hardware Part Number Listing

TRUSS HEAD BOLTS

#6-32 x 3/4.....	172-416
#6-32 x 1.....	173-079
#8-32 x 1-1/2.....	171-210
#10-32 x 3/4.....	171-604
#10-32 x 1.....	172-882
1/4 x 3/4.....	170-193
1/4 x 1.....	170-194
5/16 x 1.....	170-117

SET SCREWS (Socket Head)(Cup Point)

1/4 x 1/4.....	170-247
1/4 x 5/8.....	172-985
5/16 x 1/4.....	170-993
5/16 x 5/16.....	170-248
5/16 x 5/16 UNF.....	170-825
5/16 x 3/8 UNF.....	173-367
5/16 x 1/2.....	170-254
5/16 x 5/8 UNF.....	170-456
5/16 x 1 (Sq hd).....	173-610
5/16 x 1-1/2.....	172-917
3/8 x 1/4.....	170-856
3/8 x 3/8.....	170-151
3/8 x 1/2.....	170-857
3/8 x 1/2 UNF.....	171-469
3/8 x 3/4.....	174-190
3/8 x 3/4 (Sq hd).....	170-290
3/8 x 1.....	170-021
3/8 x 1 (Sq hd).....	173-609
3/8 x 1 (Sq hd) (Dog pt).....	171-551
7/16 x 7/16.....	170-288
7/16 x 1 (Sq hd).....	170-147
1/2 x 5/8.....	170-249
1/2 x 1.....	170-438
1/2 x 1-1/4 (half dog point).....	171-085
5/8 x 5/8.....	170-250
3/4 x 3/4 (Sq hd) (Dog pt).....	170-251

HEX NUTS

#6-32.....	172-418
#10-32.....	171-606
1/4.....	170-125
5/16.....	170-119
3/8.....	170-007
7/16.....	170-062
7/16 (Grade 8) UNF.....	174-217
1/2.....	170-004
9/16.....	173-702
5/8.....	170-011
3/4.....	170-017
3/4 UNF.....	170-159
3/4 (Grade 8) UNF.....	173-520
7/8.....	171-776
1.....	173-022
1 UNF.....	173-714
1 (Grade 8).....	175-247
1 (Grade 8) UNF.....	173-519
1-1/8 UNF.....	174-095
1-1/4 UNF.....	170-130
1-1/4 (Grade 8).....	175-006
M8 x 1.25MM.....	172-949
M30 x 1.5MM.....	174-902
M50 x 1.5MM.....	175-200

LOCK NUTS

#6-32.....	174-188
#10-32.....	174-073
1/4.....	170-069
5/16.....	170-137
3/8.....	170-047

7/16.....	170-239
1/2.....	170-042
1/2 UNF.....	170-566
1/2 (Grade 8).....	171-671
9/16.....	172-220
5/8.....	170-031
3/4.....	170-185
3/4 (Grade 8).....	171-900
3/4 (Grade 8) UNF.....	173-578
7/8.....	173-069
7/8 UNF.....	171-093
1.....	174-928
1 UNF.....	170-527
M45 x 1.5MM.....	175-199
M50 x 1.5MM.....	175-197

JAM NUTS

1/4UNF.....	171-386
5/16.....	173-521
3/8.....	170-022
7/16.....	170-046
1/2.....	170-036
1/2 Lock.....	174-063
5/8.....	170-037
3/4.....	170-035
1.....	174-927

FLAT WASHERS

#10.....	171-525
1/4.....	170-301
1/4 Heavy.....	171-083
1/4 Fender.....	173-672
5/16.....	170-127
5/16 Fender.....	173-811
3/8.....	170-244
3/8 Heavy.....	170-302
3/8 Aluminum.....	173-900
7/16.....	170-138
1/2.....	170-040
1/2 (Grade 8).....	172-984
9/16.....	173-693
5/8.....	170-066
5/8 (Grade 8).....	173-581
3/4.....	170-015
7/8.....	173-298
7/8 Heavy.....	170-131
1.....	170-122
1-1/4.....	170-928

LOCK WASHERS

#6.....	172-417
#10.....	171-605
1/4.....	170-124
5/16.....	170-118
3/8.....	170-006
7/16.....	170-061
1/2.....	170-003
9/16.....	173-692
5/8.....	170-010
3/4.....	170-016
3/4 External Tooth.....	174-793
7/8.....	172-003
1.....	171-021
1-1/4.....	175-005

ZERKS

1/8 NPT.....	170-865
1/8 NPT-45 Deg.....	170-864

1/8 NPT-65 Deg.....	170-215
1/8 NPT-90 Deg.....	170-866
3/16 drive in.....	174-124
1/4-28.....	170-023
1/4-28 - 45 Deg.....	170-148
1/4-28 - 90 Deg.....	170-049
1/4 NPT.....	170-277
1/4 NPT - 45 Deg.....	174-130

COTTER PINS

1/16 x 1/2.....	170-992
3/32 x 3/4.....	170-364
1/8 x 1.....	170-045
1/8 x 1-1/4.....	170-033
1/8 x 1-1/2.....	170-382
5/32 x 1.....	170-421
5/32 x 1-1/2.....	170-236
5/32 x 3.....	170-135
3/16 x 1-1/4.....	170-991
3/16 x 2.....	170-115
1/4 x 1-1/2.....	170-521
1/4 x 2.....	170-056
1/4 x 2-1/2.....	173-961

ROLLER CHAIN

CONNECTOR LINKS

#50.....	170-088
#50-2R.....	170-094
#60.....	170-089
#60-2R.....	170-095
#60H.....	171-102
#80.....	170-090
#80H.....	170-821
#80-2R.....	176-134
#100.....	170-091
#100H.....	171-969
#120.....	170-092
#140.....	170-093
#140H.....	173-552
#160.....	170-888

OFFSET LINKS

#50.....	170-096
#50-2R.....	170-102
#60.....	170-097
#60-2R.....	170-103
#60H.....	171-103
#80.....	170-098
#80H.....	170-820
#80-2R.....	176-135
#100.....	170-099
#100H.....	172-145
#120.....	170-100
#140.....	170-101
#140H.....	173-553
#160.....	170-887

ROLLER LINKS

#50.....	171-415
#60.....	171-416
#80.....	171-417
#80H.....	170-795
#100.....	171-418
#100H.....	172-146
#120.....	171-419
#140.....	171-420
#160.....	171-421

Part Number Index

Symbols ...15,16	104-050 ...7,9	134-919 ...13	144-090 ...27	171-252 ...13
101-761 ...13	104-179 ...7,9	135-598 ...29,31	144-091 ...27	171-304 ...43
101-911	104-238 ...33	135-612 ...29,31	144-092 ...27	171-387 ...11
...13,29,31	104-248 ...9	135-614 ...11	144-736 ...15	171-393 ...7,9
101-988	104-292 ...11	135-662 ...29,31	144-741 ...15	171-442 ...39
...15,17	104-300 ...29,31	135-692 ...11	144-900 ...15	171-460 ...39
102-046 ...19	104-483 ...37	135-697 ...11	145-477 ...7,9	171-464 ...17
102-047 ...7	104-813 ...21,23	135-971 ...33	145-483 ...25	171-550 ...34,35,43
102-048 ...19	104-967 ...25,27	136-040 ...29,31	146-190 ...21,25	171-586 ...15,17
102-049 ...19	105-082 ...19	136-175 ...11	170-002 ...15,17	171-607 ...29,31
102-065 ...19	105-083 ...19	136-176 ...11	170-004 ...15,17	171-609 ...43
102-066 ...19	105-084 ...19	136-177 ...11	170-008 ...11,15,16	171-671 ...21,23
102-069 ...13	105-085 ...19	136-178 ...15,16	170-028 ...7,9	171-712 ...43
102-073	105-201 ...21	136-285 ...29,31	170-031 ...15,16,29,31	171-764 ...29,31
...37,39	105-209 ...7,9	136-286 ...29,31	170-037 ...15,16	171-774 ...15,17
102-212 ...11	105-210 ...7,9	136-714 ...33	170-042 ...15,17,33	171-799 ...34,35,43
102-214	105-242 ...37	136-715 ...33	170-045 ...39	171-802 ...33
...29,31	105-250 ...29	136-716 ...33	170-052 ...11	171-820 ...43
102-249	105-372 ...29	136-717 ...33	170-056 ...19	171-821 ...43
...29,31	105-516 ...7,9	140-417 ...33	170-074 ...15,17	171-913 ...43
102-259 ...11	105-572 ...17	140-418 ...33	170-075 ...15,17,39	171-915 ...43
102-286 ...33	105-753 ...23	140-420 ...33	170-115 ...15,17	171-919 ...13
103-601 ...31	105-755 ...21	140-424 ...11	170-122 ...15,17,39	171-934 ...29,31
103-604 ...33	105-773 ...23	140-425 ...11	170-161 ...39	171-935 ...29,31
103-605 ...33	107-056 ...9	140-426 ...29,31	170-233 ...39	171-979 ...34,35
103-611 ...23	133-277 ...15,16	140-434 ...21,23	170-235 ...16,39	171-980 ...34,35
103-614 ...33	133-288 ...15,17	140-435 ...23	170-244 ...7,9,29,31	171-983 ...34,35
103-615 ...33	133-637 ...15,17	140-436 ...21,23	170-258 ...29,31	172-002 ...7,9
103-616 ...33	133-899 ...29,31	140-437 ...21,23	170-262 ...7,9,21,23	172-005 ...13
103-617 ...33	134-086 ...13,29,31	140-468 ...37,39	170-365 ...11	172-024 ...7,9,29,31
103-618	134-155 ...13	140-468 ...39	170-466 ...39	172-028 ...34
...29,31	134-481 ...29,31	140-848 ...7	170-468 ...39	172-040 ...34,35
103-619	134-649 ...15,17	140-849 ...37	170-471 ...17	172-171 ...43
...29,31	134-780 ...11	140-863 ...39	170-490 ...43	172-202 ...34,35
103-620	134-787 ...11	140-871 ...37,39	170-800 ...13,29,31	172-203 ...34
...29,31	134-788 ...11	140-872 ...37,39	170-803 ...25	172-204 ...34,35
103-622	134-789 ...11	140-873 ...37,39	170-835 ...11,15,17	172-205 ...34,35
...15,17	134-790 ...11	140-874 ...37,39	170-845 ...13,29,31	172-206 ...34,35
103-629 ...31	134-792 ...29,31	140-878 ...37,39	170-849 ...43	172-207 ...34,35
103-630	134-824 ...19	140-879 ...39	170-865 ...7,9,19,21,23,29,31	172-208 ...34,35
...21,23	134-831 ...15,16	140-887 ...39	170-885 ...15,17	172-209 ...34,35
103-638 ...33	134-834 ...11	141-121 ...21,23	170-893 ...43	172-210 ...34,35
103-639 ...33	134-842 ...11	141-693 ...29,31	170-920 ...19,21,23	172-224 ...35
103-651 ...33	134-843 ...19	141-694 ...29,31	170-921 ...19	172-227 ...34,35
103-760 ...39	134-846 ...15,17	142-003 ...15,17	170-922 ...19	172-283 ...13
103-761 ...39	134-861 ...33	142-076 ...7,9	170-926 ...19	172-288 ...11
103-762	134-874 ...15,17	142-082 ...15,17	170-927 ...19	172-355 ...11
...37,39	134-875 ...15,17	142-874 ...9	170-928 ...19	172-360 ...19
103-768	134-878 ...15,17	142-997 ...9	170-950 ...29,31	172-361 ...19
...37,39	134-883 ...11	143-094 ...11	170-992 ...29,31	172-362 ...19
103-899 ...15	134-892 ...29,31	143-096 ...11	171-021 ...7,9	172-381 ...17
104-041	134-899 ...15,17	143-205 ...29,31	171-030 ...17,39	172-396 ...19
	134-902 ...15,17	143-460 ...37	171-045 ...13	172-421 ...15,17
	134-906 ...11	143-834 ...37	171-068 ...17	172-422 ...15,17
	134-908 ...13	144-063 ...9	171-137 ...29,31	172-481 ...19
		144-064 ...9	171-251 ...39	172-482 ...19

Kufin North America, Inc.

172-485 ...13	174-849 ...37,39	176-082 ...27	70178245 ...41,42
172-489 ...13	174-875 ...35	176-083 ...27	70178246 ...41,42
172-599 ...39,43	174-876 ...34	176-084 ...27	70178254 ...41,42
172-751 ...13,29,31	174-944 ...21,23	176-085 ...27	70178256 ...41,42
172-759 ...43	174-953 ...34,35	176-091 ...27	70178263 ...41,42
172-772 ...15,17	174-954 ...34,35	176-092 ...27	76034820 ...41
172-787 ...39,43	174-955 ...34,35	176-093 ...27	
172-794 ...39	174-956 ...34,35	176-094 ...27	
172-806 ...39	174-957 ...34,35	176-103 ...27	
172-807 ...39	174-958 ...34,35	176-104 ...27	
172-808 ...39	174-959 ...34,35	176-105 ...27	
172-809 ...39	174-960 ...34,35	176-124 ...27	
172-820 ...43	174-966 ...34,35	176-125 ...27	
172-821 ...39,43	174-967 ...34,35	176-126 ...27	
172-822 ...7,9,29,31	174-969 ...35	176-127 ...27	
172-823 ...7,9,29,31	174-970 ...34,35	176-128 ...27	
172-866 ...15,16	174-971 ...34	176-129 ...27	
172-873 ...29,31	174-978 ...34,35	176-130 ...27	
172-874 ...29,31	175-035 ...15,16	176-131 ...27	
172-883 ...43	175-221 ...7,9	176-132 ...27	
172-913 ...11	175-247 ...7,9	176-143 ...37	
172-999 ...21	175-269 ...19	176-144 ...37	
173-001 ...21,23	175-299 ...15,17	176-339 ...25	
173-002 ...21,23	175-319 ...11	176-494 ...25	
173-003 ...21,23	175-320 ...11	176-507 ...25	
173-004 ...21,23	175-321 ...11	176-508 ...15	
173-005 ...21,23	175-536 ...15,17,39	176-586 ...7,9	
173-006 ...21,23	175-553 ...11,29,31	176-629 ...19	
173-007 ...21,23	175-557 ...27	176-678 ...19	
173-027 ...7,9	175-592 ...27	176-679 ...19	
173-031 ...21,23	175-594 ...27	176-865 ...7,9	
173-032 ...21,23	175-655 ...27	176-866 ...7,9	
173-040 ...43	175-656 ...27	176-935 ...7,9	
173-069 ...7,9	175-673 ...17,25,37	176-936 ...19	
173-077 ...43	175-675 ...15,16,17,37	176-947 ...27	
173-080 ...13	175-685 ...15,17	176-948 ...27	
173-158 ...21,23	175-687 ...17,37	176-949 ...27	
173-220 ...17	175-690 ...15,17	176-955 ...25	
173-269 ...39	175-691 ...15,17	177-003 ...19	
173-273 ...17	175-726 ...15,17	177-241 ...43	
173-274 ...15,17	175-728 ...37	177-242 ...43	
173-275 ...15,17	175-891 ...43	177-243 ...43	
173-488 ...39	175-892 ...43	177-357 ...43	
173-491 ...39	175-907 ...15,17	177-358 ...43	
173-493 ...17	175-909 ...37	177-418 ...43	
173-633 ...25	175-911 ...37	177-419 ...43	
174-012 ...25	175-922 ...37	177-448 ...25	
174-528 ...21,23	175-924 ...37	177-494 ...43	
174-577 ...19	175-927 ...15,17	177-504 ...43	
174-579 ...19	175-929 ...37	177-812 ...25,27	
174-677 ...21,23	175-930 ...25	180-630 ...7,9,29,31	
174-678 ...21,23	175-932 ...37	300-066 ...29,31	
174-686 ...43	176-027 ...25	300-067 ...11,29,31	
174-784 ...19,21,23	176-078 ...27	70172278 ...41,42	
174-838 ...7,9	176-079 ...27	70174725 ...41,42	
174-839 ...7,9	176-080 ...27	70178104 ...41,42	
174-848 ...37,39	176-081 ...27	70178106 ...41,42	

A

A7181002 ...25