

**Pièces de rechange**

7R135ATL A

**Spare parts list**

**Ersatzteilliste**

**Catalogo Pezzi di Ricambio**



**REPLACEMENT PARTS  
FOR  
SCALE SYSTEMS**





# Table of Contents

Introduction .....	3
Using This Service Parts Listing .....	3
<b>Digi-Star</b>	
Indicators .....	4
EZ 400 Series .....	4
EZ 2400 Series .....	4
EZ 2500 Series .....	4
EZ 2800 Series .....	4
EZ 3400 Series .....	5
EZ 3600 Series .....	5
EZ 4600 Series .....	6
NT 460 Series .....	6
Wireless Remote Cab Control Indicators .....	7
CC 400 .....	7
CC 2400 Series .....	7
CC 3400 Series .....	7
CC 3600 Series .....	7
Remote Displays .....	8
RD 2500V Series .....	8
RD 2400 Series .....	8
Mirror Mount .....	8
Transmitters and Receivers .....	9
Software and Data Transfer .....	9
<b>Weigh-Tronix</b>	
Indicators .....	10
640 Series .....	10
1040 Series .....	10
2040 Series .....	10
3060 Series .....	11
712 & 1012 Series .....	11
RD40 & RD60 Series .....	11
XLR-8 .....	11
Remote Displays .....	12
Mirror Mount Remote Displays .....	12
Wireless Remote Displays .....	12
Transmitters and Receivers .....	13
Data Transfer Kits .....	13
Mounting to Unit .....	14-15
Truck Mirror Mounting .....	15
<b>Replacement Cords and Parts</b>	
Cords .....	16-18
Power Cord and Indicator Connector and Chassis Parts .....	19
Junction Box, Indicator and Load Cell Chassis and Connector Parts .....	19
Printers and Printer Parts .....	20
Test Equipment .....	20
Alarms .....	20
Battery Power Parts .....	21
Basic Scale System Assembly Diagram .....	22
Part Number Index .....	23



This book is a supplement to the parts manual that came with your mixer and should remain with the other publications that came with your machine. All parts listed in the manual can be ordered through your Kuhn Knight dealer.

If you cannot find the part you need, be as descriptive as possible when placing an order.

Replacement Operator's Manuals for your particular scale application can be downloaded from the scale manufacturer's web site, the Kuhn Knight web site or ordered through the Kuhn Knight Parts Department.

## Using This Service Parts Listing

This listing uses a number indentation system to specify the parts of an assembly. Any number which is indented to the right, indicates that it is a component of the item to the upper left. Example:

<u>Part no</u>	<u>Qty</u>	<u>Description</u>
102-AAA	#	Assembly A
102-BBB	#	Sub-Assembly B
(Component of A)		
140-xxx	#	Sub-Component of B
140-xxx	#	Sub-Component of B
102-CCC	#	Sub-Assembly C
(Component of A)		
etc.		

Using this system, the subassemblies and their components are included if an **Assembly** is ordered. Similarly, the components of a subassembly are included if a subassembly is ordered.

The quantity (Qty) associated with an assembly, represents the number of times an assembly could be shown in the drawing. The subassembly quantity, however, is the number of times a subassembly is used to build one assembly. Similarly, the component quantity refers to the number of times a given component is found in one subassembly.



## Digi-Star - Indicators

*Refer to subframe or undercarriage mounting section of your parts manual for weigh bars or load cells for your specific application.*



### EZ 400 Series

PART #:	DESCRIPTION:
70176217	Digi-Star Model EZ-400V indicator, no remote port
70177290	Digi-Star Model EZ-400V indicator w/ radio kit



### EZ 2400 Series

PART #:	DESCRIPTION:
70172128	Digi-Star Model EZ-2400V Indicator, 1" High Display w/Remote
70177288	Digi-Star Model EZ-2400V Indicator, 1.2" High Display w/Remote, installed cab control
70177289	Digi-Star Model EZ-2400V Indicator, 1.7" High Display w/Remote, installed cab control
76074650	Digi-Star Model EZ-2400V REM/SER



### EZ 2500 Series

PART #:	DESCRIPTION:
76042010	Digi-Star Model EZ-2500V Indicator, 1.7" High Display w/Remote
76098210	Digi-Star Model EZ-2500V REM/SER



### EZ 2800 Series

PART #:	DESCRIPTION:
76098280	Digi-Star Model EZ-2810V REM/SER
76098610	Digi-Star Model EZ-2810V REM/SER/2.4W

## Digi-Star - Indicators



Refer to subframe or undercarriage mounting section of your parts manual for weigh bars or load cells for your specific application.



### EZ 3400 Series

PART #:	DESCRIPTION:
70172130	Digi-Star Model EZ-3400V Indicator w/remote port, 1.2" high display
70175209	Digi-Star Model EZ-3400V Indicator with rev-counter, remote and serial ports, 1.2" high display, (175-217 rev-counter sensor not included)
70172500	Digi-Star Model EZ-3400V Indicator w/remote port, 1.7" high display
70175210	Digi-Star Model EZ-3400V Indicator with rev-counter, remote and serial ports, 1.7" high display, (175-217 rev-counter sensor not included)
70176054	Digi-Star Model EZ-3400V Indicator with rev-counter, cab-control radio kit, remote and serial ports, 1.2" high display, (175-217 rev-counter sensor not included)
70176055	Digi-Star Model EZ-3400V Indicator with rev-counter, cab-control radio kit, remote and serial ports, 1.7" high display, (175-217 rev-counter sensor not included)
76072970	Digi-Star Model EZ-3400VL Remote Indicator
76072950	Digi-Star Model EZ-3400VL with 2.4 GHz
76102660	Digi-Star EZ-3410V REM/SER



### EZ 3600 Series

PART #:	DESCRIPTION:
70175212	Digi-Star Model EZ-3600V Indicator with rev-counter, USB Flash Drive, remote port and serial port, 1.7" high display (175-217 rev-counter sensor not included)
70176057	Digi-Star Model EZ-3600V Indicator with rev-counter, USB Flash Drive, 2.4 GHz Cab Control radio control kit, remote port and serial port, 1.7" high display (175-217 rev-counter sensor not included)
70177374	Digi-Star Model EZ-3600V Indicator with rev-counter, USB Flash Drive, 900 MHz Cab Control radio control kit, remote port and serial port, 1.7" high display (175-217 rev-counter sensor not included)
76102670	Digi-Star EZ-3610V REM/SER



## Digi-Star - Indicators

*Refer to subframe or undercarriage mounting section of your parts manual for weigh bars or load cells for your specific application.*



### EZ 4600 Series

PART #:	DESCRIPTION:
70176753	Digi-Star Model EZ-4600 Indicator with rev-counter, USB Flash Drive, remote port and serial port, 1.2" high display (70175217 rev-counter sensor not included)
70177292	Digi-Star Model EZ-4600 Indicator with rev-counter, USB Flash Drive, 2.4 GHz Cab Control radio control kit, remote port and serial port, 1" high display (70175217 rev-counter sensor not included)
70177375	Digi-Star Model EZ-4600 Indicator with rev-counter, USB Flash Drive, 900 MHz Cab Control radio control kit, remote port and serial port, 1.2" high display (70175 217 rev-counter sensor not included)



### NT 460 Series

PART #:	DESCRIPTION:
70177934	Digi-Star NT 460 Nutrient Tracker
70177935	Digi-Star NT 460 Nutrient Tracker w/ GPS

**Digi-Star - Wireless Remote Cab Control Indicators**

2.4 GHz CC Series Remote Wireless Indicators work in conjunction with a standard 2.4 GHz indicator that has the 175-987 radio kit installed. \*With the exception of EZ-400 which requires a 176-218 radio kit installed in the indicator. 900 MHz Radios are used only when a customer is North America based, chooses a 3600 or 4600 series indicator, TMR tracking software, and communicates using an RF data link base radio. (All CC Series indicators include a RAM Mount Kit.)

**CC 400 Series**

PART #:	DESCRIPTION:
70175988	Digi-Star Model CC-400 2.4 GHz Remote Indicator
70177467	Digi-Star Model CC-400 900 MHz Remote Indicator

**CC 2400 Series**

PART #:	DESCRIPTION:
70175989	Digi-Star Model CC-2400 Remote Indicator 2.4 GHz
70175990	Digi-Star Model CC-2400V Remote Indicator 2.4 GHz
70175468	Digi-Star Model CC-2400 Remote Indicator 900 MHz
70175469	Digi-Star Model CC-2400V Remote Indicator 900 MHz

**CC 3400 Series**

PART #:	DESCRIPTION:
70175991	Digi-Star Model CC-3400 Remote Indicator 2.4 GHz
70175992	Digi-Star Model CC-3400V Remote Indicator 2.4 GHz
70177470	Digi-Star Model CC-3400 Remote Indicator 900 MHz
70177471	Digi-Star Model CC-3400V Remote Indicator 900 MHz
76073140	Digi-Star Model CC-3400V Remote Indicator 2.4 GHz

**CC 3600 Series**

PART #:	DESCRIPTION:
70175993	Digi-Star Model CC-3600 Remote Indicator 2.4 GHz
70175994	Digi-Star Model CC-3600V Remote Indicator 2.4 GHz
70177472	Digi-Star Model CC-3600 Remote Indicator 900 MHz
70177473	Digi-Star Model CC-3600V Remote Indicator 900 MHz



## Digi-Star - Remote Displays



### RD 2500V Series

PART #:	DESCRIPTION:
76042020	Digi-Star RD 2500V Remote, 1.7" high display w/ 25' Cord
76042030	Digi-Star RD 2500V T/R Remote, 1.7" high display w/ Transmitter & 25' Cord



### RD 4000 Series

PART #:	DESCRIPTION:
70177352	Digi-Star RD 4000 Remote Bar Graph, 3.8" high display (Does not include D/S Cable 70177353, Visor 70177372, or OEM Install Radio Kit 70177559.)
70177354	Digi-Star RD 4000 Remote Bar Graph with 315MHz Radio Kit factory installed, 3.8" high display (Does not include D/S Cable 70177353 or Visor 70177372)
76073190	Digi-Star RD4000 Remote with T/R



### Mirror Mount

PART #:	DESCRIPTION:
70175051	Kit, RD-400 Mirror Mount Remote Display, Includes Ram Mount and 33' Cable

**Digi-Star**

## TRANSMITTERS AND RECEIVERS



PART #:	DESCRIPTION:
70172352	Digi-Star T/R Kit, Model 20R
70172143	Digi-Star D-22A Hand Held Transmitter (Installed Receiver is Required)
70174926	Digi-Star DXT-21 Hand Held Transmitter (Installed Receiver is Required)

## SOFTWARE AND DATA TRANSFER



PART #:	DESCRIPTION:
70175566	Data Downloader Kit for EZII Indicators Excluding EZ-3500 Series
70176219	Replacement DDL Module
70175568	TMR Tracker Pro Plus Software and Docking Station for EZ-3600 Series
70175567	TMR Tracker Pro Software and Docking Station for EZ-3600 Series
70176220	Diet Manager Software
70177477	TMR Tracker Vista Software and Docking Station for EZ-3600 Series (Formerly Diet Manager)
70176221	Replacement Data Key
70175986	Data Link Base Radio Kit 2.4 GHz
70177474	Data Link Base Radio Kit 900 MHz
70177475	High Gain Base Antenna Kit 2.4 GHz
70177476	High Gain Base Antenna Kit 900 MHz
70177970	Digi Star, Software, Docking Station, UBS
70177936	Digi Star, Scale, Software, TMR Tracker, Pro Plus
70177937	Digi Star, Scale, Software, TMR Tracker, Pro Plus, Datalink
76098290	Digi-Star Software - Beef Tractor Pro
76098300	Digi-Star Software - Beef Tractor Pro+



## Weigh-Tronix - Indicators

Refer to subframe or undercarriage mounting section of your parts manual for weigh bars or load cells for your specific application.

### 640 Series



640

**PART #:** 70176781 **DESCRIPTION:** Weigh-Tronix Model 640 Basic Indicator, 1.1" high display



640XL

70176772 Weigh-Tronix Model 640 Basic Indicator, 1.1" high display with factory installed radio kit - for use with wireless remote display

70176782 Weigh-Tronix Model 640XL Basic Indicator, 2" high display

70176773 Weigh-Tronix Model 640XL Basic Indicator with 2" high display with factory installed radio kit - for use with wireless remote display 2" high display



640M

70176774 Weigh-Tronix Model 640M Compact Indicator, 1.1" high display

70177287 Weigh-Tronix Model 640M Compact Indicator, 1.1" high display with factory installed radio kit - for use with wireless remote display 2" high display

### 1040 Series



1040

**PART #:** 70175574 **DESCRIPTION:** Weigh-Tronix Model 1040 Indicator, 1.1" high display (serial and remote ports)

70175577 Weigh-Tronix Model 1040 Indicator (speed sensor & dual serial ports) 1.1" high display



1040XL

70175575 Weigh-Tronix Model 1040XL Indicator, 2" high display (speed sensor, dual serial ports and remote port)

70175576 Weigh-Tronix Model 1040XL Indicator, (serial & remote ports) 2" high display

### 2040 Series



2040

**PART #:** 70176222 **DESCRIPTION:** Weigh-Tronix Model 2040 Indicator, 1.1" high display (serial and remote ports)

70176223 Weigh-Tronix Model 2040 Indicator, 1.1" high display (speed sensor, dual serial ports and remote port)



2040XL

70176224 Weigh-Tronix Model 2040XL Indicator, (serial & remote ports) 2" high display

70176225 Weigh-Tronix Model 2040XL Indicator (speed sensor & dual serial ports and remote port) 2" high display

## Weigh-Tronix - Indicators



Refer to subframe or undercarriage mounting section of your parts manual for weigh bars or load cells for your specific application.



### 3060 Series

PART #:	DESCRIPTION:
70177940	Weigh-Tronix Model 3060, Scale, Indicator

## Weigh-Tronix - Remote Displays



### 712 & 1012 Series

PART #:	DESCRIPTION:
70174505	Weigh-Tronix 712 Remote, 1.1" high display w/ 30' Cord for 615 and 715 Indicators
70174506	Weigh-Tronix 712XL Remote, 2" high display w/ 30' Cord for 615 and 715 indicators
70174507	Weigh-Tronix 1012 Remote, 1" high display w/30' Cord for 1015 Indicator
70175074	Weigh-Tronix 1012XL Remote, 2" high display w/30' Cord for 1015 Indicator



### RD40 & RD60 Series

PART #:	DESCRIPTION:
70176775	Weigh-Tronix RD-40 Remote, 1.1" high display w/ 30' Cord for 640 Indicators
70176776	Weigh-Tronix RD-40XL Remote, 2" high display w/ 30' Cord for 640 Indicators
70175578	Weigh-Tronix RD-64 Remote, 1.1" high display w/ 30' Cord for 1040 and 2040 Series Indicators
70175579	Weigh-Tronix RD-64XL Remote, 2" high display w/ 30' Cord for 1040 and 2040 Series Indicators



### XLR-8

PART #:	DESCRIPTION:
70177938	Weigh-Tronix XLR-8, Scale, Remote Display, LG



## Weigh-Tronix- Remote Displays

### Mirror Mount Remote Displays



PART #:	DESCRIPTION:
70175046	Weigh-Tronix RD-1012M Mirror Mount Remote, .6" high display with 15' Cord (used with models 615, 715, 1015 and 2015 Indicators)
70175582	Weigh-Tronix RD-64M Mirror Mount Remote, 1.1" high display with 15' Cord (used with 1040 and 2040 Indicators)

### Wireless Remote Displays



PART #:	DESCRIPTION:
70176777	Weigh-Tronix RD40RF Wireless Remote Display
70176778	Weigh-Tronix RM200 External Radio Kit for operation of wireless remote display RD40RF (1040/2040 series only)

**Transmitters and Receivers**

PART #:	DESCRIPTION:
70174512	Radio Control Kit for 615, 715, 1015 Indicators and 712, 1012 Remote Displays
70172350	XM710-L Hand Held Transmitter (Replacement Transmitter for 70174512 Kit)
70175581	Radio Controller Kit for 640 series indicators RD64/RD64XL/RD40/RD40XL Remote Displays. Includes 70176228 Transmitter.
70175580	RCV64 External Radio Controller Kit, Connects to Remote Port for 1040 and 2040 Series Indicators, includes 15' cable
70176228	XM64 Hand Held Transmitter (Replacement transmitter for 70175581 and 70175580 Kits)
76076580	Antenna, Magnetic Mount, 2.4 GHz

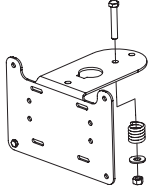
**Data Transfer Kits**

PART #:	DESCRIPTION:
70175573	TDM 40/TDS 1040 Data Downloader Kit for 1040/1040XL Indicators with interface cable, downloader module, memory converter, Recipe Entry/Management Software, and manual
70175570	TDM 40/TDS 40 Data Downloader Kit for 615, 715 and 1015 Indicators (Paperless Printer)
70176229	TDS 40 Data Downloader Kit for 1040, 1040XL, 2040 and 2040XL (Paperless Printers)
70176230	Feed Supervisor Transfer Data Kit for 2040 and 2040XL
70176231	Replacement Data Module for all of the above

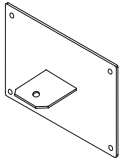


# MOUNTING BRACKETS

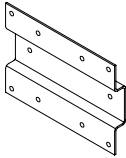
## Mounts to Unit



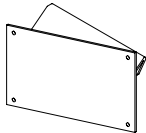
**PART #:** 70101835  
**DESCRIPTION:** Swivel Indicator Mount - Trailer Universal  
 Mounting Hardware: Spring (87170238) 3/8" x 2" Bolt, Flat washer & Lock nut



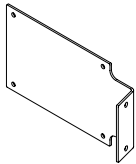
**PART #:** 70102993  
**DESCRIPTION:** Indicator Mount for Botec 4000 Series



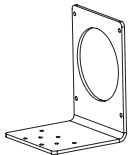
**PART #:** 70134409  
**DESCRIPTION:** Remote Indicator Mount  
 Mounting Hardware: 5/16" x 3/4" Bolt, Lock washer, Nut (2 ea)



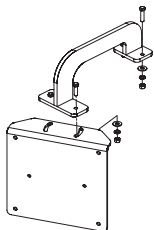
**PART #:** 70102772  
**DESCRIPTION:** Angled Remote Indicator Mount  
 Mounting Hardware: 5/16" x 3/4" Bolt, Lock washer, Nut (2 ea)



**PART #:** 70141402  
**DESCRIPTION:** Angled Remote Indicator Mount (BTC, RC, RA & Delivery Box)



**PART #:** 76090380  
**DESCRIPTION:** Bracket, Large Remote Display for both Digi-Star & Weigh-Tronix Indicators (RC's and BTC's Mixers)



**PART #:** 73011050  
**DESCRIPTION:** Bracket Assembly, Large Remote Display for both Digi-Star & Weigh-Tronix Indicators (VT's, VTC's Mixers)

**MOUNTING BRACKETS*****Mounts to Unit (continued)***

PART #:	DESCRIPTION:
76090390	Bracket Valley, Ag Large Remote Display Adapter (used with 76090380 or 73011050)

***Truck Mirror Mounting***

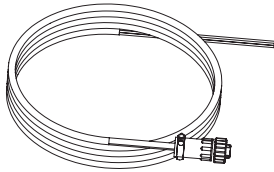
PART #:	DESCRIPTION:
70176233	Ram Mount for Digi-Star EZ 400 or CC Models (Includes Mounting Hardware)
70176240	Ram Mount for Digi-Star 2000, 2400, 3200, 3400, 3500, and 3600 EZ II and EZ III Model Indicators (Includes Mounting Hardware)
70175583	RAM Mount for Weigh-Tronix for RD1012M and RD64M
70178178	RAM Mount for 3060 Indicator



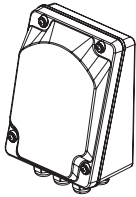
# REPLACEMENT CORDS AND PARTS

*Note: New 1040 and 2040 Indicators requiring Dual Remote Ports should be ordered special.*

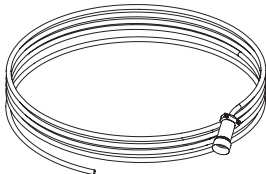
## Cords



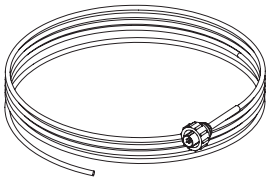
PART #:	DESCRIPTION:
70172183	Power Cord Assy, Stationary or Truck Application or Unit with Revolution Counter
70172354	Power Cord Assy, Trailer and Truck Application without rev. Counter <i>(old style metal 2-prong tractor end).</i>
70148360	Power Cord Assy, Scale Power Cord <i>(new style plastic 2-prong tractor end).</i>
70172136	Power Supply 120 VAC Input, 4-6 AMP 13.8 VDC



PART #:	DESCRIPTION:
70178201	Junction Box Digi-Star Mounting Screws: - Screw .25-20x.75 (87174874 - Qty: 2)



PART #:	DESCRIPTION:
70173156	15' Replacement Junction Box Cable
70175995	50' Replacement Junction Box Cable



PART #:	DESCRIPTION:
70172166	10' Junction Box Extension Cable
70172165	30' Junction Box Extension Cable



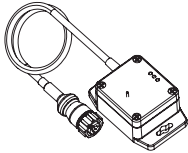
PART #:	DESCRIPTION:
70174719	Digi-Star Remote Display Cord (25' Standard Length)
70176234	Digi-Star Remote Indicator Cable (32.8' Standard Length)
70177353	Digi-Star Cable for RD4000 (33' Standard Length)
70174003	Digi-Star Dual Remote Cable

**REPLACEMENT CORDS AND PARTS**

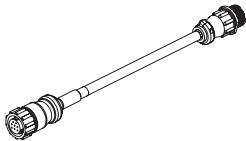
*Note: New 1040 and 2040 Indicators requiring Dual Remote Ports should be ordered special.*

**Cords (continued)**

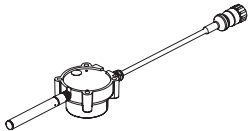
PART #:	DESCRIPTION:
70176235	Weigh-Tronix Dual Remote Cable for 615, 715 and 1015 Indicators
70176236	Weigh-Tronix Dual Remote Cable for field installation 1040 and 2040 Indicators
70178093	Weigh-Tronix AWT25-500477, Cable, XLR Remote, 30' Length



PART #:	DESCRIPTION:
76072980	Radio ERM 2.4 Cord

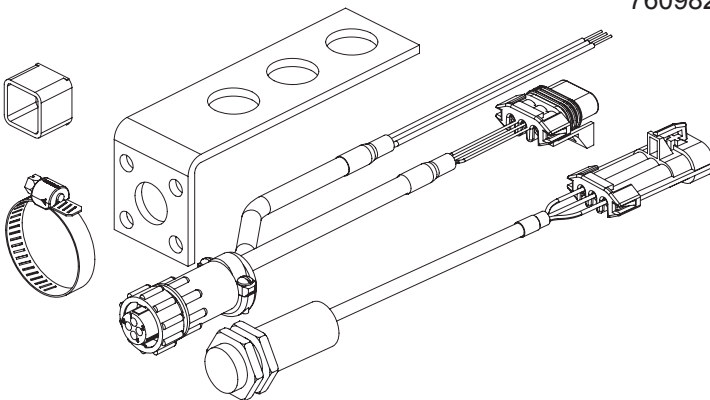


PART #:	DESCRIPTION:
76072960	Cable, ERM 4 ft Extension



PART #:	DESCRIPTION:
76098270	Cable, Radio ERM WiFi

PART #:	DESCRIPTION:
76100130	Sensor Rotation Counter Kit - includes: 76098220 - sensor 76098240 - target block 76098260 - cable RPM sensor and alarm 76098620 - bracket 76098230 - cable RPM sensor extension

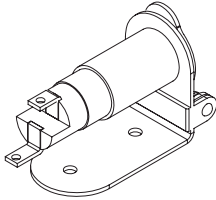




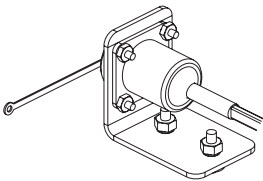
## REPLACEMENT CORDS AND PARTS

*Note: New 1040 and 2040 Indicators requiring Dual Remote Ports should be ordered special.*

### **Cords (continued)**



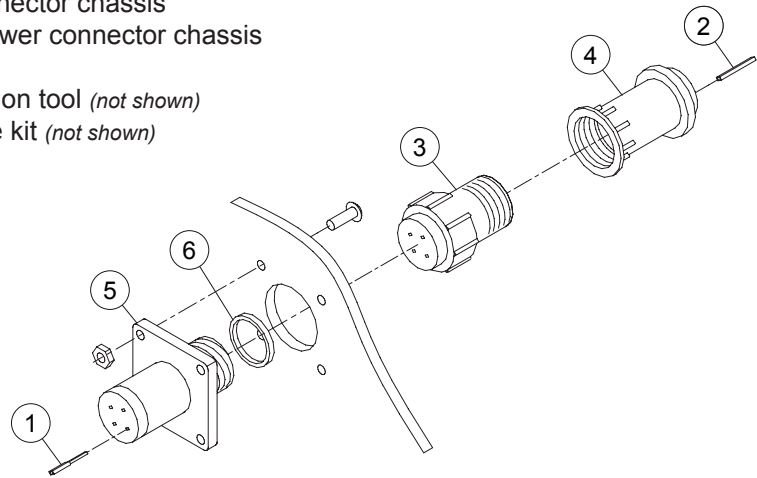
PART #:	DESCRIPTION:
70170415	Plug, Tractor Mount <i>(metal 2-prong for use with 70172354)</i>



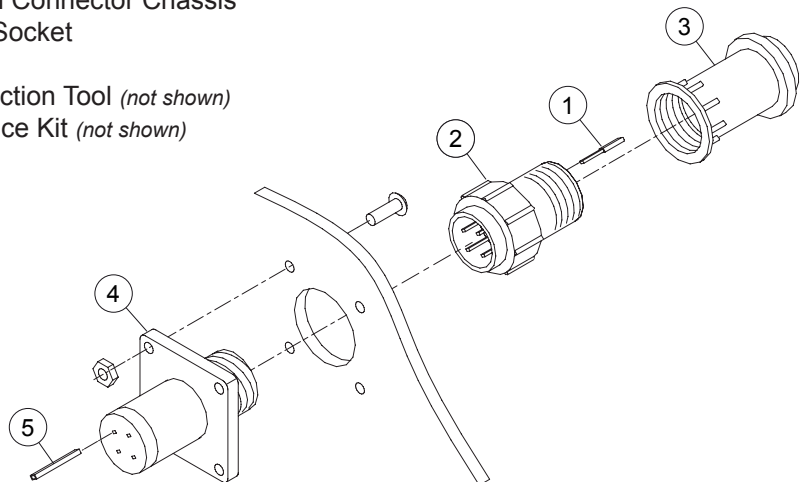
PART #:	DESCRIPTION:
79008761	Scale, Power Cord Mount

**REPLACEMENT CORDS & PARTS****Power Cord, Indicator Connector and Chassis Parts**

REF	PART NO	QTY	DESCRIPTION
1	70173211	4	Contact pin
2	70173212	4	Contact socket
3	70173213	1	Power cord connector
	70174923	1	Nut, connector
4	70173214	1	Strain relief
5	70173217	1	Power connector chassis
6	70173218	1	Seal for power connector chassis
	70173216		Pin extraction tool ( <i>not shown</i> )
	70171960		Cord splice kit ( <i>not shown</i> )

**Junction Box, Indicator, Load Cell Chassis and Connector Parts**

REF	PART NO	QTY	DESCRIPTION
1	70173211	4	Contact Pin
2	70173215	1	Junction Box Cord Connector
	70174923	1	Nut, Connector
3	70173214	1	Strain Relief
4	70173219	1	Load Cell Connector Chassis
5	70173212	4	Contact Socket
	70173216	1	Pin Extraction Tool ( <i>not shown</i> )
	70171960		Cord Splice Kit ( <i>not shown</i> )



# **PRINTERS & PRINTER PARTS**



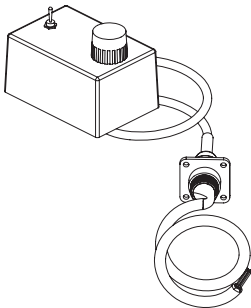
**Weigh-Tronix**



**Star DP-8340**

PART #:	DESCRIPTION:
70175626	Weigh-Tronix Printer
70175627	Weigh-Tronix Data Cord
70175629	Weigh-Tronix Data Cord
70175628	Weigh-Tronix Printer Paper 1 Roll
70102940	Printer Stand
70102941	Printer Stand Mount
70174000	Star Printer
70174002	Star Printer Power Cord
70174001	Star Printer Data Cord
70174004	Star Printer Paper 1 Roll
76072990	Printer Thermal Paper
76073000	Cable, Printer ICP300

## TEST EQUIPMENT



PART #:	DESCRIPTION:
70172386	Precision Calibrator for Scale Indicators

## ALARMS



PART #:	DESCRIPTION:
70101917	Digi-Star Alarm Horn Assembly <i>(includes hardware and cable)</i> Mounting Hardware: #6 x 3/4" Bolt, Lock washer, Nut (2 ea)
70101918	Weigh-Tronix Alarm Horn Assembly <i>(includes hardware and 2' cable)</i> External Audible Alarm for Models 1040/1040XL and 2040/2040XL Mounting Hardware: #6 x 3/4" Bolt, Lock washer, Nut (2 ea)

**BATTERY POWER PARTS**

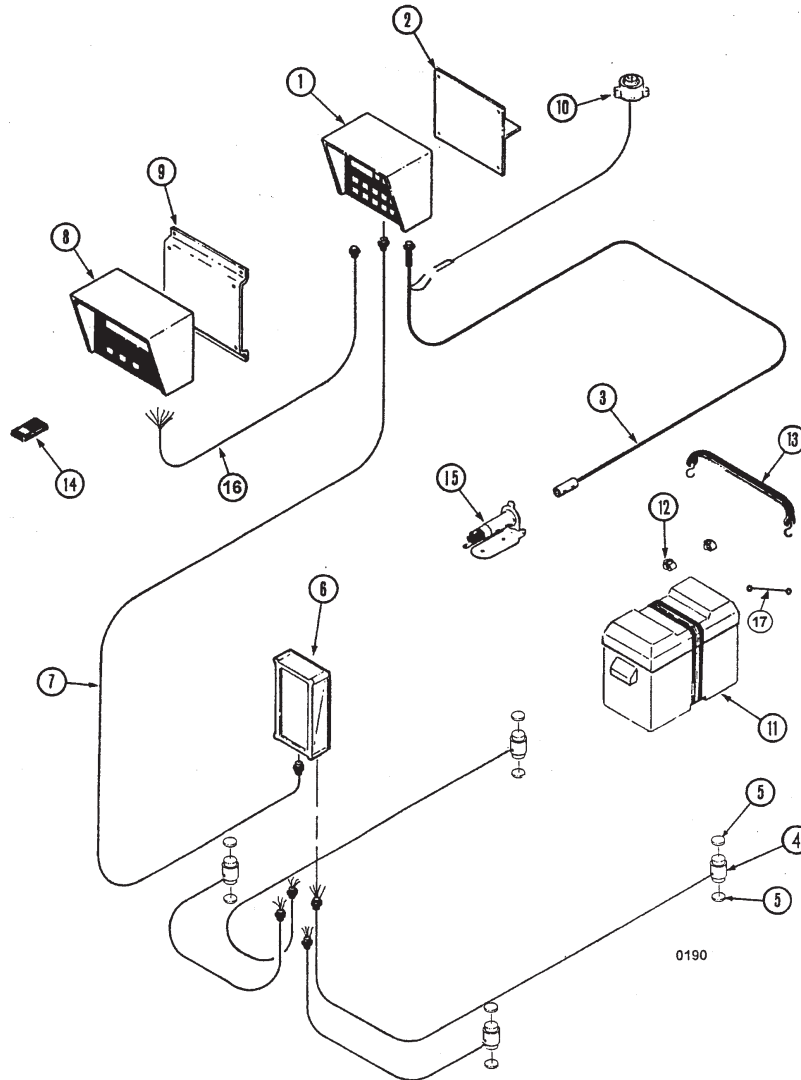
PART #:	DESCRIPTION:
70171158	Battery Box
70171380	Battery Terminals <i>(not shown)</i>



PART #:	DESCRIPTION:
70171936	Battery Hold-Down Strap
70132988	16 Ga. Ground Wire (coiled wire)



# **BASIC SCALE SYSTEM ASSEMBLY DIAGRAM**



- 1 Indicator
- 2 Indicator Mount
- 3 Power Cord Assy
- 4 Load Cell/Weigh Bar
- 5 Shock Pad (2 Required for each Load Cell) (Not Required with Weigh Bars)
- 6 Junction Box W/15' Cable; #10 x 1" SMS (2 ea)
- 7 Replacement Junction Box Cable
- 8 Remote, Display w/ 25' Cord
- 9 Remote Indicator Mount
- 10 Alarm Horn Assembly
- 11 Battery Box
- 12 Battery Terminals
- 13 Battery Strap
- 14 Hand Held Transmitter
- 15 Plug - Tractor Mount
- 16 Remote Indicator Cord
- 17 16 Ga. Ground Wire

**PARTS NUMBER INDEX**

Part No	Pg.	Part No	Pg.	Part No	Pg.	Part No	Pg.
70101835	....14	70174505	....11	70176054	....5	70177473	....7
70101917	....20	70174506	....11	70176055	....5	70177474	....9
70101918	....20	70174507	....11	70176057	....5	70177475	....9
70102772	....10	70174512	....13	70176217	....4	70177476	....9
70102940	....20	70174719	....16	70176219	....9	70177477	....9
70102941	....21	70174923	....19	70176220	....9	70177934	....6
70102993	....14	70174926	....9	70176221	....9	70177935	....6
70132988	....21	70175046	....12	70176222	....10	70177936	....9
70134409	....14	70175051	....8	70176223	....10	70177937	....9
70141402	....14	70175074	....11	70176224	....10	70177938	....11
70148360	....16	70175209	....5	70176225	....10	70177940	....11
70170415	....18	70175210	....5	70176228	....13	70177970	....9
70171158	....21	70175212	....4	70176229	....13	70178093	....17
70171380	....21	70175468	....7	70176230	....13	70178178	....15
70171936	....21	70175469	....7	70176231	....13	70178201	....16
70171960	....19	70175566	....9	70176233	....13	73011050	....14
70172128	....4	70175567	....9	70176234	....16	76042010	....4
70172130	....5	70175568	....6	70176235	....17	76042020	....4
70172136	....16	70175570	....13	70176236	....17	76042030	....4
70172143	....9	70175573	....13	70176240	....15	76072950	....5
70172165	....16	70175574	....10	70176753	....6	76072960	....17
70172166	....16	70175575	....10	70176772	....10	76072970	....5
70172183	....16	70175576	....10	70176774	....10	76072980	....17
70172350	....13	70175577	....10	70176775	....11	76072990	....20
70172352	....9	70175578	....11	70176776	....11	76073000	....20
70172354	....16	70175579	....11	70176777	....12	76073140	....7
70172386	....20	70175580	....13	70176778	....12	76073190	....8
70172500	....5	70175581	....13	70176781	....10	76074650	....4
70173156	....16	70175582	....12	70176782	....10	76076580	....13
70173211	....19	70175583	....15	70177287	....10	76090380	....14
70173212	....19	70175626	....13	70177288	....4	76090390	....15
70173213	....19	70175627	....13	70177289	....4	76098210	....4
70173214	....19	70175628	....13	70177290	....4	76098270	....17
70173215	....19	70175629	....13	70177292	....6	76098280	....4
70173216	....19	70175986	....9	70177352	....8	76098290	....9
70173217	....19	70175988	....7	70177353	....16	76098300	....9
70173218	....19	70175989	....7	70177354	....8	76098610	....4
70173219	....19	70175990	....7	70177374	....5	76100130	....17
70174000	....20	70175991	....7	70177375	....6	76102660	....5
70174001	....20	70175992	....7	70177467	....7	76102670	....5
70174002	....20	70175993	....7	70177470	....7	79008761	....18
70174003	....16	70175994	....7	70177471	....7		
70174004	....20	70175995	....16	70177472	....7		



**Pour votre sécurité et le bon fonctionnement de votre machine,  
utilisez uniquement des pièces d'origine KUHN**

---

**For your safety and to get the best from your machine,  
use only genuine KUHN parts**

---

**Zu ihrer Sicherheit und zur einwandfreien Funktion Ihrer  
Maschine sollten Sie nur Original-KUHN-Ersatzteile verwenden**

---

**Per la vostra sicurezza, e per il buon funzionamento della vostra macchina,  
usate esclusivamente i ricambi originali KUHN**

**KUHN PARTS Parc de la Faisanderie F - 67700 MONSWILLER (FRANCE)  
[www.kuhn.com](http://www.kuhn.com)**

Imprimé en France par KUHN  
Printed in France by KUHN