



**MORRIS**

# Parts Manual



## 6000 Series Air Seeder

Part Number N20315-2

# Parts Index

## 6000 Series AIRSEEDER

### Section 1: Hopper & Frame

6130 / 6180 Hopper Assembly .....	1.1 & 1.2
6240 / 6300 Hopper Assembly .....	1.3 & 1.4
6130 / 6180 Tow Behind Frame Assembly .....	1.5 & 1.6
6130 / 6180 Tow Between Frame Assembly .....	1.7 & 1.8
6240 / 6300 Frame Assembly .....	1.9 & 1.10
6240 / 6300 Castor Fork Assembly .....	1.11 & 1.12

### IMPORTANT:

ALL ITEMS ARE IDENTIFIED WITH A PART NUMBER. Some of the smaller parts such as bolts, nuts, washers, etc. are not all shown, however, the quantity used are listed in the text for that section which they fit into. That particular quantity is always the quantity required for one complete assembly.

Smaller parts which are welded together to construct a larger part, are not to be ordered as individual pieces, unless they have a part number to identify them.

### Section 2: Metering

Metering Drive Assembly .....	2.1 - 2.4
Metering Body Assembly .....	2.5
Optional Fertilizer Clutch Assembly .....	2.6
Opt.#1 Meter Shaft Coupling Kit - Rear Transmission ....	2.7
Opt.#2 Meter Shaft Coupling Kit - Front Transmission ....	2.8

### Section 3: Wheel & Hub

6130 / 6180 Front Castor .....	3.1
6130 / 6180 Drive Wheel .....	3.1
6130 / 6180 Non-Drive Wheel .....	3.1
6240 / 6300 Front Castor .....	3.1
6240 / 6300 Drive Wheel .....	3.2
6240 / 6300 Non-Drive Wheel .....	3.2

### Section 4: Distribution

#### SINGLE SHOOT

6130 / 6180 Tow Behind .....	4.1 & 4.2
6130 / 6180 Tow Between .....	4.3 & 4.4
6240 / 6300 Tow Behind .....	4.5 & 4.6

#### DOUBLE SHOOT

6130 Tow Behind (21 - 40 Runs) .....	4.7 & 4.8
6130 Tow Behind (41 - 60 Runs) .....	4.11 & 4.12
6180 Tow Behind (21 - 50 Runs) .....	4.7 & 4.8
6180 Tow Behind (51 - 80 Runs) .....	4.9 & 4.10
6240 / 6300 Tow Behind (21 - 50 Runs) .....	4.7 & 4.8
6240 / 6300 Tow Behind (51 - 80 Runs) .....	4.11 & 4.12
6130 Tow Between (21 - 40 Runs) .....	4.13 & 4.14
6130 Tow Between (41 - 60 Runs) .....	4.15 & 4.16
6180 Tow Between (21 - 50 Runs) .....	4.13 & 4.14
6180 Tow Between (51 - 80 Runs) .....	4.15 & 4.16

Contact your nearest dealer for genuine repair parts. Dealers carry ample stock and are backed by the manufacturer and regional associations.

# Parts Index

---

## 6000 Series AIRSEEDER

### Section 5: Fan & Auger Drives

Engine Fan Drive Assembly .....	5.1 - 5.4
Tow Behind Hydraulic Fan Drive Assembly .....	5.5 & 5.6
Tow Between Standard Hydraulics .....	5.7
Tow Between Hydraulic Fan Drive Assembly .....	5.8

### Section 6: Auger

Tow Behind Auger Hydraulics w/Hydraulic Fan Drive .....	6.1 & 6.2
Tow Between Auger Hydraulics w/Hydraulic Fan Drive ...	6.3 & 6.4
6130 / 6180 7" Auger Assembly .....	6.5 & 6.6
6240 / 6300 7" & 8" Auger Assembly .....	6.7 - 6.10
Auger Hydraulics w/Engine Fan Drive .....	6.11 & 6.12

### Section 7: Fans

Crary Belt Drive Fan .....	7.1
Crary Hydraulic Drive Fan .....	7.2

### Section 8: Packer Tow Hitch

Packer Tow Hitch Assembly .....	8.1
Hydraulic Extension Kit .....	8.2

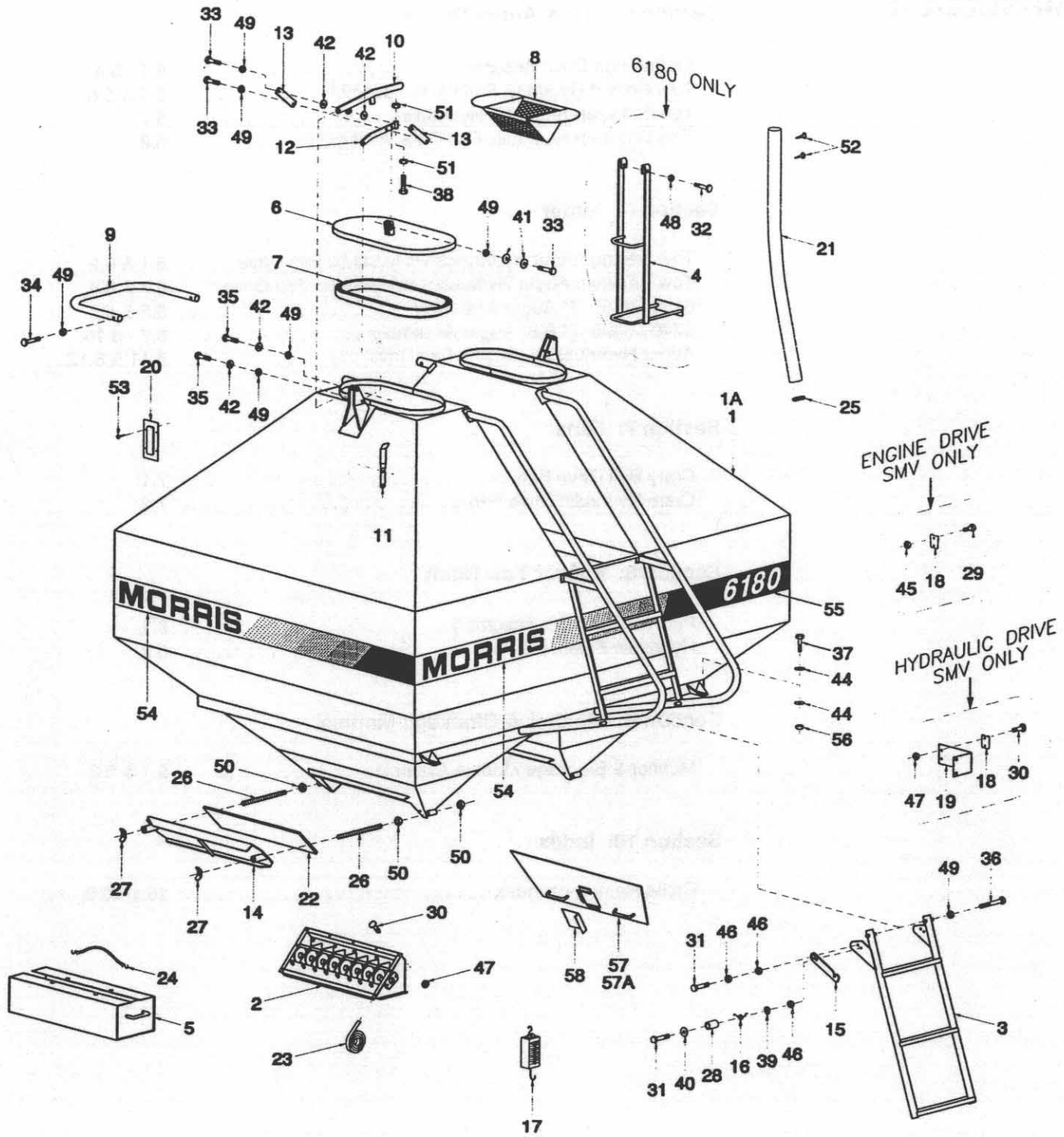
### Section 9: Monitor & Blockage Module

Monitor & Blockage Module Assembly .....	9.1 & 9.2
--	-----------

### Section 10: Index

Cross Reference Index .....	10.1-10.9
-----------------------------	-----------

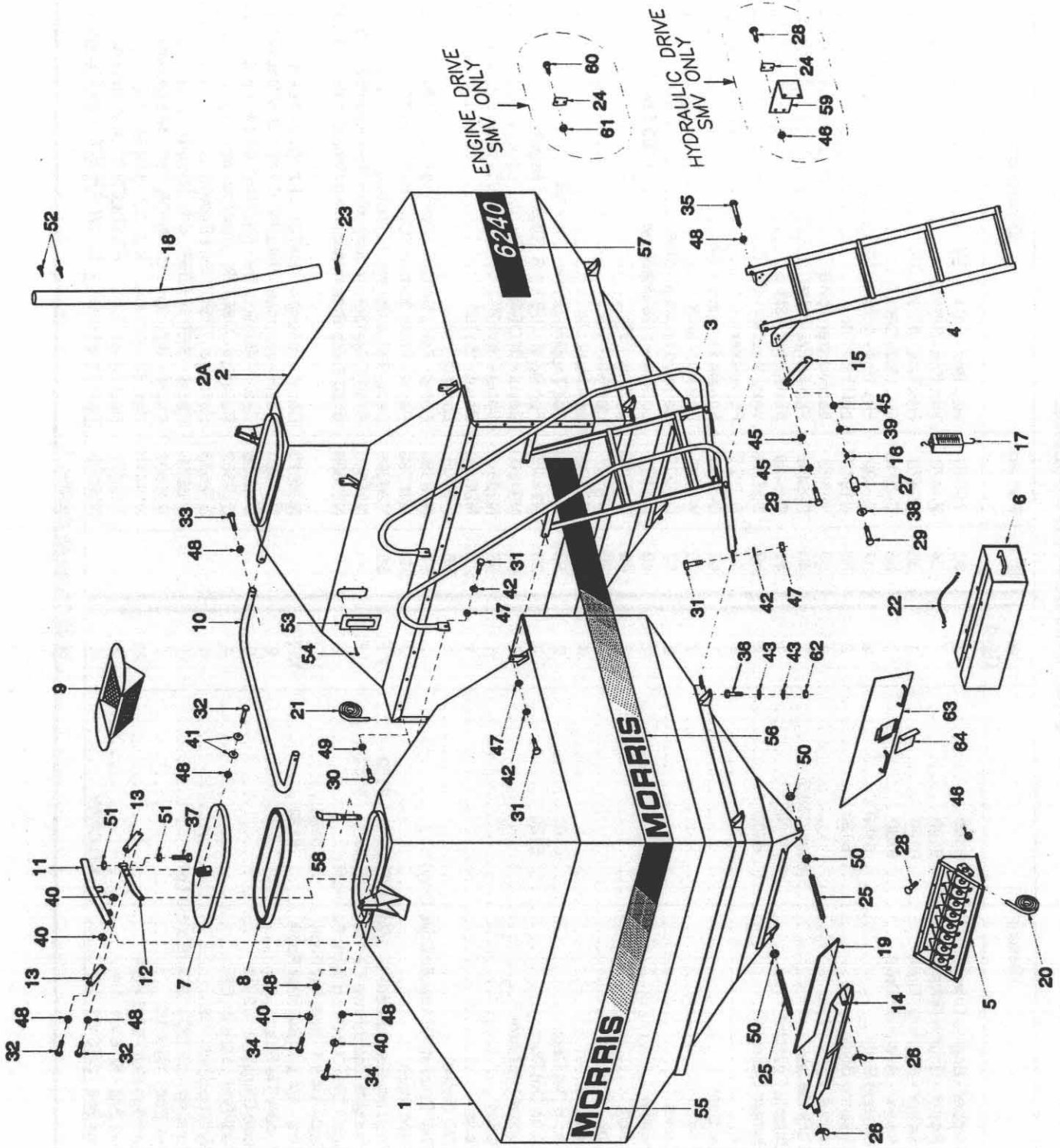
# 6130 / 6180 HOPPER ASSEMBLY



6130 / 6180 HOPPER ASSEMBLY

Item	Part No.	Description	No. Used	Item	Part No.	Description	No. Used
1	N19440	Hopper - Engine Drive	1	33	W-619	Hex Bolt - 3/8 x 1 3/4	6
	N19100	Hopper - Engine Drive	1	34	W-478	Hex Bolt - 3/8 x 2	2
1A	N21210	Hopper - Hydraulic Drive	1	35	W-479	Hex Bolt - 3/8 x 2 1/4	4
	N21200	Hopper - Hydraulic Drive	1	36	C-3918	Hex Bolt - 3/8 x 5	4
2	N19686	Metering Body	2	37	W-490	Hex Bolt - 1/2 x 2 1/2	2
	N19490	Metering Body	2	38	N19127	Lid Bolt - 1/2	2
3	N19140	Ladder	1	39	W-522	Lockwasher - 5/16	1
4	N25667	Tank Ladder	2	40	D-5488	Flatwasher - 5/16	1
5	N19757	Sample Collector	1	41	D-5489	Flatwasher - 3/8	4
	N19333	Sample Collector	2	42	N21266	Wear Washer - 3/8	8
6	N19105	Lid	2	44	S-1925	Flatwasher - 1/2	8
7	N19496	Lid Seal	1	45	D-5277	Serrated Locknut - 1/4	1
8	N19726	Screen	2	46	W-513	Hex Nut - 5/16	3
9	N19217	Guard	2	47	D-5278	Serrated Locknut - 5/16	20
10	N19113	Handle	2	48	D-5272	Locknut - 5/16 Unitorque	4
11	N25675	Latch	2	49	M-3388	Locknut - 3/8	14
12	N19108	Link	2	50	W-516	Hex Nut - 1/2	8
13	N19109	Link	4	51	S-1292	Jam Nut - 1/2	4
14	N19695	Clean Out Door	2	52	N16698	Self Tapping Screw - 1/4 x 3/4	4
	N19120	Clean Out Door	2	53	N21450	Pop Rivet - 1/8 x 1/2 (Closed Head)	4
15	N19211	Ladder Lock Arm	1	54	N24690	Decal - "MORRIS"	8
16	D-5098	Spring	1	55	N25547	Decal - "6180"	2
17	N15953	Scale	1	55A	N25546	Decal - "6130"	1
18	W-1558	SMV Socket	1	56	F-3405	Locknut - 1/2	1
19	N21475	SMV Bracket (Hydraulic Drive Only)	1	57	N28589	Panel - False Bottom (Optional) ... 6180	4
20	N19791	Sight Glass	2	57A	N28588	Panel - False Bottom (Optional) ... 6130	1
21	R480029	Pressure Equal.Hose - 2 1/2 Dia (Bulk/Ft)	7 Ft	58	N28305	Door - False Bottom (Optional)	1
	R480029	Pressure Equal.Hose - 2 1/2 Dia (Bulk/Ft)	6 Ft		N28309	6180 False Bottom Assembly (Includes #57 & 58)	1
22	N19437	Seal - 3/8 x 7 x 21 Lg (Bulk Per Foot)	2		N28308	6130 False Bottom Assembly (Includes #57A & 58)	1
23	N15716	Seal - 1/4 x 1 (Bulk Per Foot)	16 Ft				
	N15716	Seal - 1/4 x 1 (Bulk Per Foot)	13 Ft				
24	N19563	Rubber Tie Strap	2		N25676	Decal - Important "LATCH LID" (Not Shown)	2
25	N11905	Hose Clamp - 2 1/2 Dia	2		N19025	Decal - Important "FILLING TANK" (Not Shown)	2
26	N19121	Redi-Rod - 1/2 x 8 1/2	4		D13705	Decal - Warning "NO RIDERS" (Not Shown)	1
27	N11673	Wing Locknut - 1/2	4		C12602	Reflector - "AMBER" (Not Shown)	4
28	N19366	Bushing - 1/2 OD x .334 ID x 5/8 Lg	4		C12603	Reflector - "RED" (Not Shown)	2
29	K-3830	Hex Bolt - 1/4 x 1/2	1		D-5271	Decal - "FERTILIZER" (Not Shown)	1
30	D-5259	Carriage Bolt - 5/16 x 3/4	20		N21604	Decal - Important "CORROSION" (Not Shown)	2
31	W-472	Hex Bolt - 5/16 x 1 1/4	2		N19478	Rate Chart Decal - "SEEDS" (Not Shown)	1
32	W-473	Hex Bolt - 5/16 x 1 1/2	4		N19477	Rate Chart Decal - "FERTILIZER" (Not Shown)	1
					N19299	Rate Chart Decal - "SLOW SPEED" (Not Shown)	1

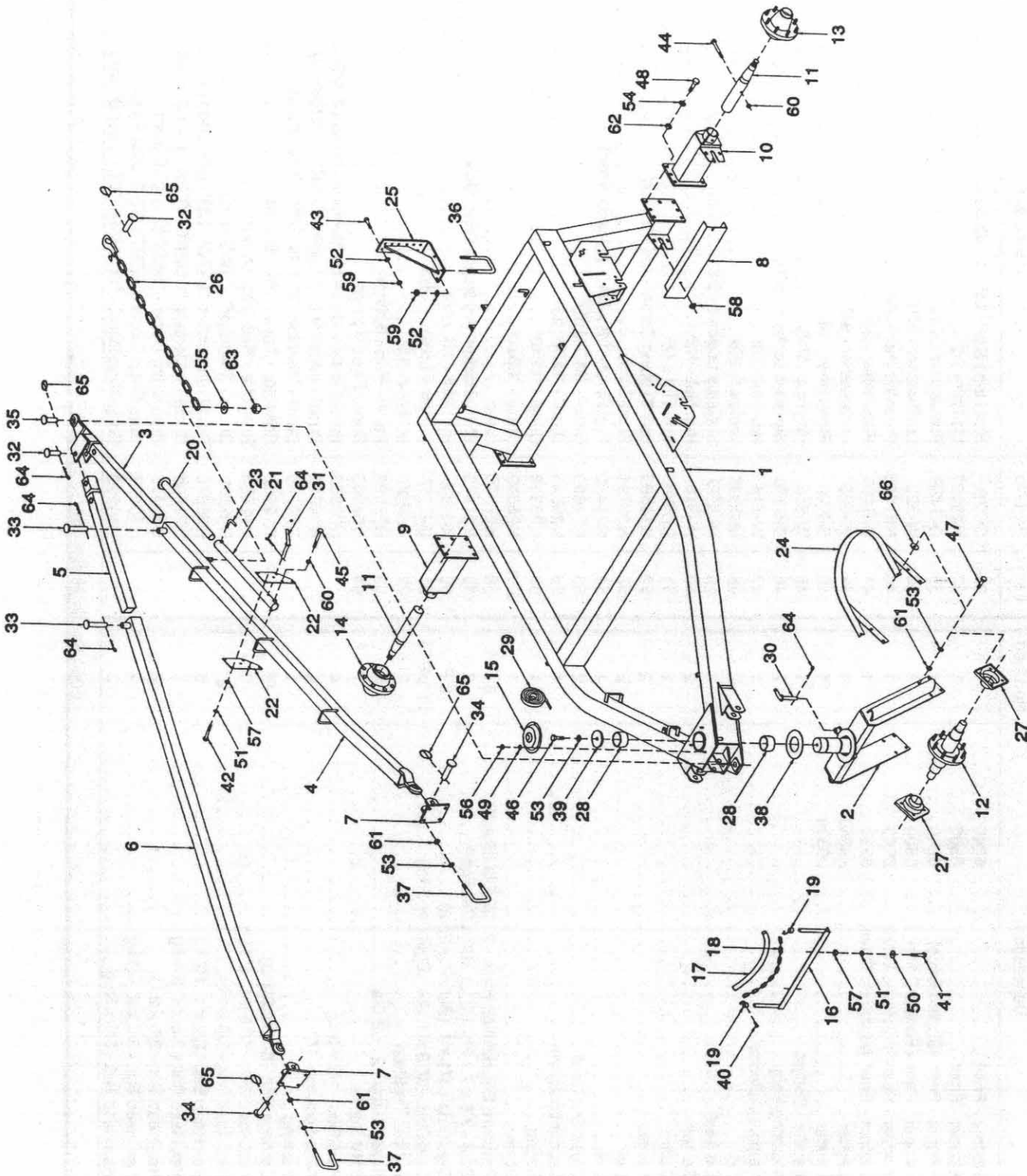
6240 / 6300 HOPPER ASSEMBLY



6240 / 6300 HOPPER ASSEMBLY

Item	Part No.	Description	No.Used	Item	Part No.	Description	No.Used
1	N24750	Hopper - Front	1	36	S-776	Hex Head Bolt - 1/2 x 1 1/2 Lg	8
	N25710	Hopper - Front	1	37	N19127	Lid Bolt - 1/2	2
2	N24752	Hopper - Rear (Engine Drive)	1	38	D-5488	Flatwasher - 5/16	1
	N25712	Hopper - Rear (Engine Drive)	1	39	W-522	Lockwasher - 5/16	1
2A	N24751	Hopper - Rear (Hydraulic Drive)	1	40	N21266	Wear Washer - 3/8	8
	N25711	Hopper - Rear (Hydraulic Drive)	1	41	D-5489	Flatwasher - 3/8	4
3	N21240	Ladder	1	42	W-523	Lockwasher - 3/8	6
	N25726	Ladder	1	43	S-751	Flatwasher - 1/2	16
4	N24792	Ladder - Bottom	1	44	W-513	Hex Nut - 5/16	3
5	N19686	Metering Body	2	45	D-5278	Serrated Locknut - 5/16	20
6	N19757	Sample Collector	1	46	W-514	Hex Nut - 3/8	6
7	N19105	Lid	2	47	M-3388	Locknut - 3/8	14
8	N19496	Lid Seal	2	48	D-5279	Serrated Locknut - 3/8	21
9	N19726	Screen	2	49	W-516	Hex Nut - 1/2	8
10	N24711	Guard	1	50	S-1292	Jam Nut - 1/2	4
11	N19113	Handle	2	51	N16698	Self Tapping Screw - 1/4 x 3/4 Lg	4
12	N19108	Link	2	52	N19791	Sight Glass	2
13	N19109	Link	4	53	N21450	Pop Rivet - 1/8 x 5/16 (Closed Head)	8
14	N19695	Clean Out Door	2	54	N24690	Decal - "MORRIS"	2
15	N19211	Ladder Lock Arm	1	55	N25545	Decal - "MORRIS"	1
16	D-5098	Spring	1	56	N25548	Decal - "6240"	1
17	N15953	Scale	1	57	N25549	Decal - "6300"	1
18	R480029	Pressure Equalization Hose - 2 1/2 Dia (Bulk/Ft)	8 Ft	57A	N25675	Latch	1
19	N19437	Seal - 3/8 x 7 x 26 1/2 Lg (Bulk Per Foot)	2	58	N21475	SMV Bracket (Hydraulic Drive Only)	1
20	N15716	Seal Strip - 1/4 x 1 (Bulk Per Foot)	8 Ft	59	K-3820	Hex Bolt - 1/4 x 1/2	1
21	N13900	Seal Strip - 3/16 x 1 3/4 (Bulk Per Foot)	11 1/8 Ft	60	D-5277	Serrated Locknut - 1/4	1
22	N19536	Rubber Tie Strap	2	61	F-3405	Locknut - 1/2	8
23	N11905	Hose Clamp - 2 1/2 Dia	2	62	N28589	Panel - False Bottom	1
24	W-1558	SMV Socket	1	63	N28503	Door - False Bottom	1
25	N19121	Redi-Rod - 1/2 x 8 Lg	4	64	N28309	False Bottom Assembly (Includes Items 63 & 64)	1
26	N11673	Wing Locknut - 1/2	4		N19025	Decal - Important "FILLING TANK" (Not Shown)	2
27	N19366	Bushing	1		D13705	Decal - Warning "NO RIDERS" (Not Shown)	1
28	D-5259	Carriage Bolt - 5/16 x 3/4 Lg	20		C12602	Reflector - Amber (Not Shown)	4
29	W-472	Hex Head Bolt - 5/16 x 1 1/4 Lg	2		C12603	Reflector - Red (Not Shown)	2
30	W-475	Hex Head Bolt - 3/8 x 1 Lg	21		D-5271	Decal - "Fertilizer" (Not Shown)	1
31	W-477	Hex Head Bolt - 3/8 x 1 1/2 Lg	6		N25676	Decal - Important "LATCH LID" (Not Shown)	2
32	W-619	Hex Head Bolt - 3/8 x 1 3/4 Lg	6		N21604	Decal - Important "CORROSION" (Not Shown)	2
33	W-478	Hex Head Bolt - 3/8 x 2 Lg	2		N19478	Rate Chart Decal - "SEEDS" (Not Shown)	1
34	W-479	Hex Head Bolt - 3/8 x 2 1/4 Lg	4		N19477	Rate Chart Decal - "FERTILIZER" (Not Shown)	1
35	C-3918	Hex Head Bolt - 3/8 x 5 Lg	2		N19299	Rate Chart Decal - "SLOW SPEED" (Not Shown)	1

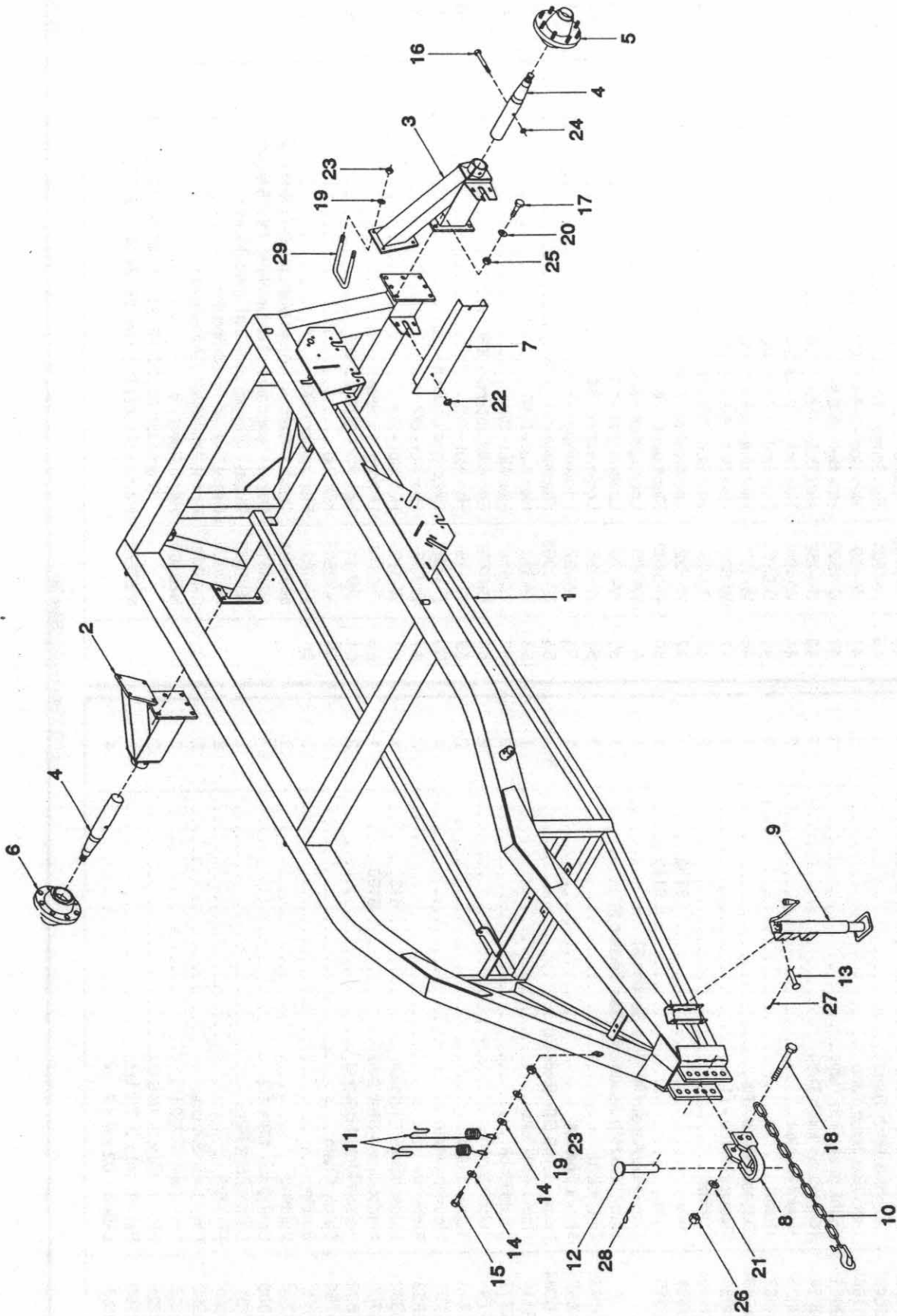
6130 / 6180 TOW BEHIND FRAME ASSEMBLY



6130 / 6180 TOW BEHIND FRAME ASSEMBLY

Item	Part No.	Description	No. Used	Item	Part No.	Description	No. Used
1	N19150	Main Frame	1	37	C-219	U-Bolt - 5/8 x 4 x 5 9/16	4
2	N19160	Castor Fork	1	38	N19423	Wear Washer	1
3	N19352	Castor Fork	1	39	N19796	Washer	1
4	N19049	Left Inner Hitch Tube	1	40	C-4651	Set Screw - 1/4 x 1	2
5	N19196	Left Outer Hitch Tube	1	41	W-480	Hex Bolt - 3/8 x 2 1/2	2
6	N19051	Right Inner Hitch Tube	1	42	C-1550	Hex Bolt - 3/8 x 4	6
7	N19054	Right Outer Hitch Tube	1	43	S-1189	Hex Bolt - 1/2 x 1 3/4	8
8	N19203	Mount Bracket	2	44	W-494	Hex Bolt - 1/2 x 3 3/4	2
9	N24667	Guard	1	45	S-951	Hex Bolt - 1/2 x 4 1/2	2
10	N24685	Extension Axle - Rt	1	46	W-497	Hex Bolt - 5/8 x 1 1/2	1
11	N24686	Extension Axle - Lt	1	47	W-500	Hex Bolt - 5/8 x 2 1/4	8
12	N19584	Spindle	2	48	C-695	Hex Bolt - 3/4 x 2	14
13	N19315	Axle	1	49	W-522	Lockwasher - 5/16	3
14		Axle	1	50	D-5489	Flatwasher - 3/8	2
15	N19795	Drive Hub Assembly (See Section 3)	1	51	W-523	Lockwasher - 3/8	8
16	N21687	Non-Drive Hub Assembly (See Section 3)	1	52	W-525	Lockwasher - 1/2	16
17	R480034	Dirt Shield	1	53	W-526	Lockwasher - 5/8	17
18	N19448	Mount Bracket	1	54	W-527	Lockwasher - 3/4	14
19	N19717	Hose - 1.169 OD (Bulk/Ft)	1.5 Ft	55	N19065	Flatwasher - 1 1/16	1
20	N22794	Chain - 80 Links	2	56	W-513	Hex Nut - 5/16	3
21	N22797	Chain Hook	2	57	W-514	Hex Nut - 3/8	8
22	N22793	Tube - Inner	2	58	D-5279	Serrated Locknut - 3/8	2
23	D10553	Tube - Outer	2	59	W-516	Hex Nut - 1/2	16
24	N19382	Mounting Plate	4	60	F-3405	Unitorque Locknut - 1/2	4
25	N19766	Tightener	2	61	W-517	Hex Nut - 5/8	16
26	N21592	Mudscraper - Optional	1	62	W-518	Hex Nut - 3/4	14
27	C18760	Mudscraper - Standard	1	63	D-5274	Unitorque Locknut - 1	1
28	S-1115	Harrow Mount Bracket	2	64	BW-11	Hair Pin - 3/16 x 3 3/4	6
29	N21008	Safety Chain	1	65	N19307	Klik Pin	4
30	D-5131	Bearing	2	66	W-629	Flatwasher - 5/8	6
31	D-5140	Bushing	2		N24301	Decal - "Caution - Read Manual" (Not Shown)	1
32	W-1628	Seal Strip - 1/8 x 1/2	2 Ft		N24412	Decal - "Important - Torque Nuts" (Not Shown)	1
33	N19055	Castor Lock Pin	1		N19028	Decal - "Hairpin Location" (Not Shown)	1
34	N16226	Pin - 1 x 3 3/4 U.L.	2		N19029	Decal "Arrow" - (Not Shown)	1
35	N19368	Pin - 1 x 5 13/32 U.L.	2		C-3902	Decal "MORRIS" (Not Shown)	1
36	C-3932	Pin - 1 1/8 x 3 1/16 U.L.	2		N22800	Hitch Stand Kit	1
		Pin - 1 1/4 x 3 7/8 U.L.	2			(Items 20, 21, 22, 23, 31, 42, 45, 51, 57, 60, 64)	
		U-Bolt - 1/2 x 4 x 7 1/4	4		N20772	Harrow Mount Kit (Items 25, 36, 43, 52, 59)	

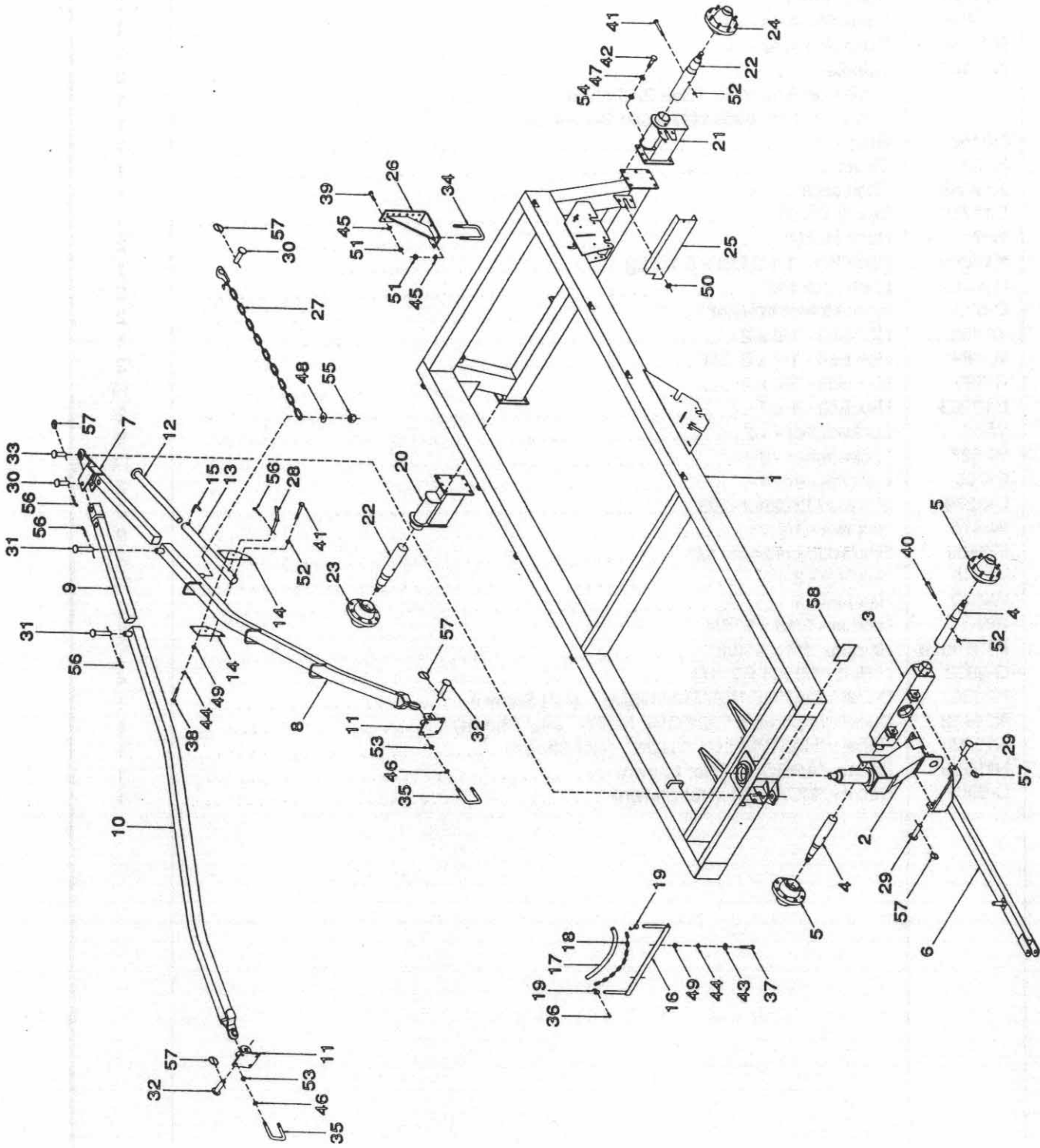
6130 / 6180 TOW BETWEEN FRAME ASSEMBLY



**6130 / 6180 TOW BETWEEN FRAME ASSEMBLY**

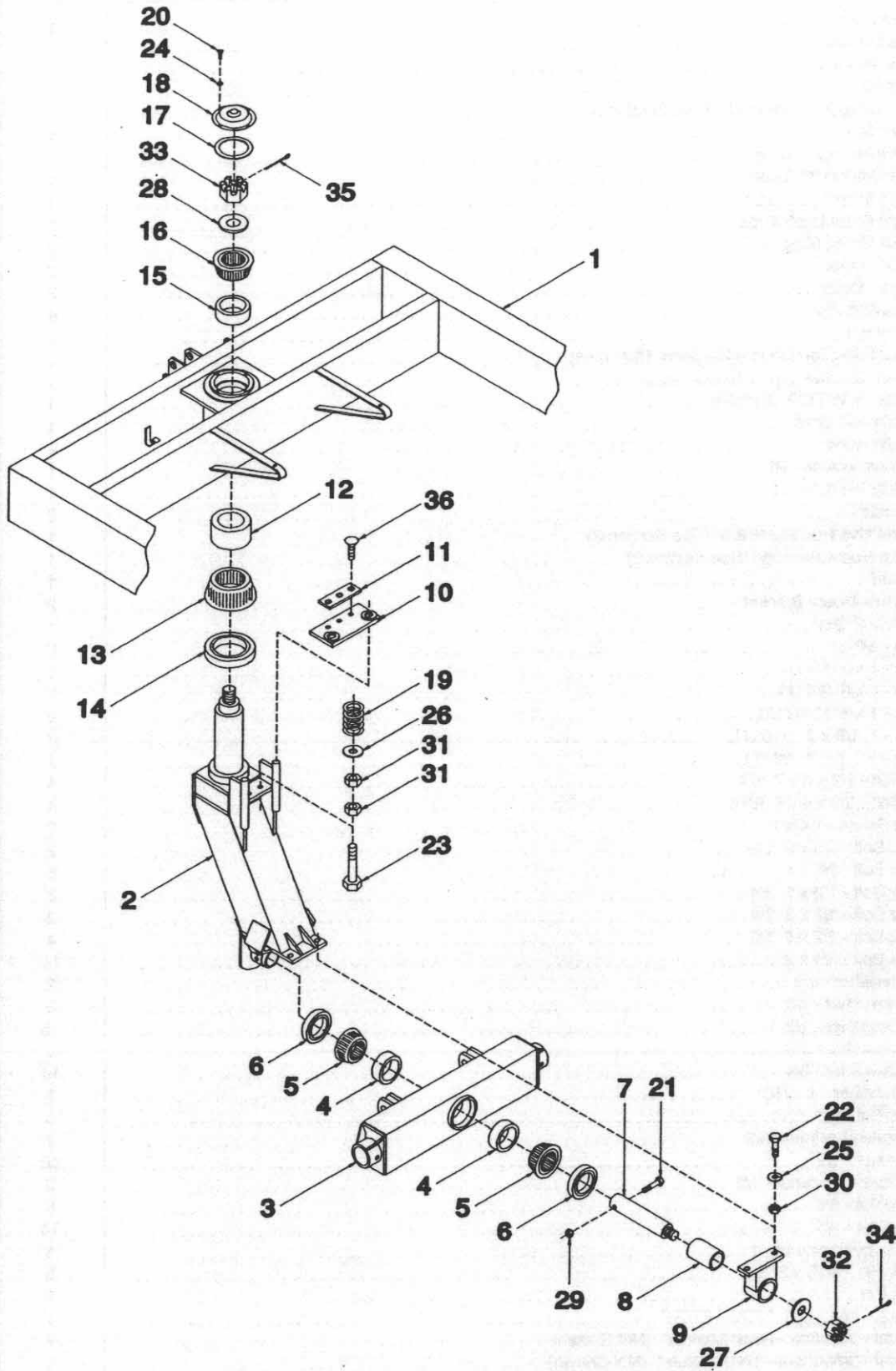
Item	Part No.	Description	No.Used
1	N24687	Main Frame .....	1
2	N25745	Extension Axle - Rt .....	1
3	N25744	Extension Axle - Lt .....	1
4	N19166	Spindle .....	2
5		Drive Hub Assembly (See Section 3) .....	1
6		Non Drive Hub Assembly (See Section 3) .....	1
7	N24667	Guard .....	1
8	N13926	Clevis .....	1
9	N19866	Hitch Jack .....	1
10	C18760	Safety Chain .....	1
11	W-7	Hose Holder .....	2
12	N15049	Hitch Pin - 1 1/2 Dia x 6 1/2 Lg .....	1
13	H10462	Hitch Jack Pin .....	2
14	C-333	Hose Holder Washer .....	2
15	W-488	Hex Bolt - 1/2 x 2 .....	1
16	W-494	Hex Bolt - 1/2 x 3 3/4 .....	2
17	C-695	Hex Bolt - 3/4 x 2 .....	14
18	D12903	Hex Bolt - 1 x 7 .....	2
19	W-525	Lockwasher - 1/2 .....	9
20	W-527	Lockwasher - 3/4 .....	14
21	C-705	Lockwasher - 1 .....	2
22	D-5279	Serrated Locknut - 3/8 .....	2
23	W-516	Hex Nut - 1/2 .....	9
24	F-3405	Unitorque Locknut - 1/2 .....	2
25	W-518	Hex Nut - 3/4 .....	14
26	W-520	Hex Nut - 1 .....	2
27	BW-11	Hairpin - 3/16 x 3 3/4 .....	2
28	P1318510	Hairpin - 1/4 x 4 3/8 .....	1
29	C-3932	U-Bolt - 1/2 x 4 x 7 1/4 .....	4
	N24301	Decal - Caution "READ MANUAL" (Not Shown) .....	1
	N24412	Decal - Important "TORQUE NUTS" (Not Shown) .....	1
	N19028	Decal - "HAIRPIN LOCATION" (Not Shown) .....	1
	N19029	Decal - "ARROW" (Not Shown) .....	1
	C-3902	Decal - "MORRIS" (Not Shown) .....	1

6240 / 6300 FRAME ASSEMBLY



**6240 / 6300 FRAME ASSEMBLY**

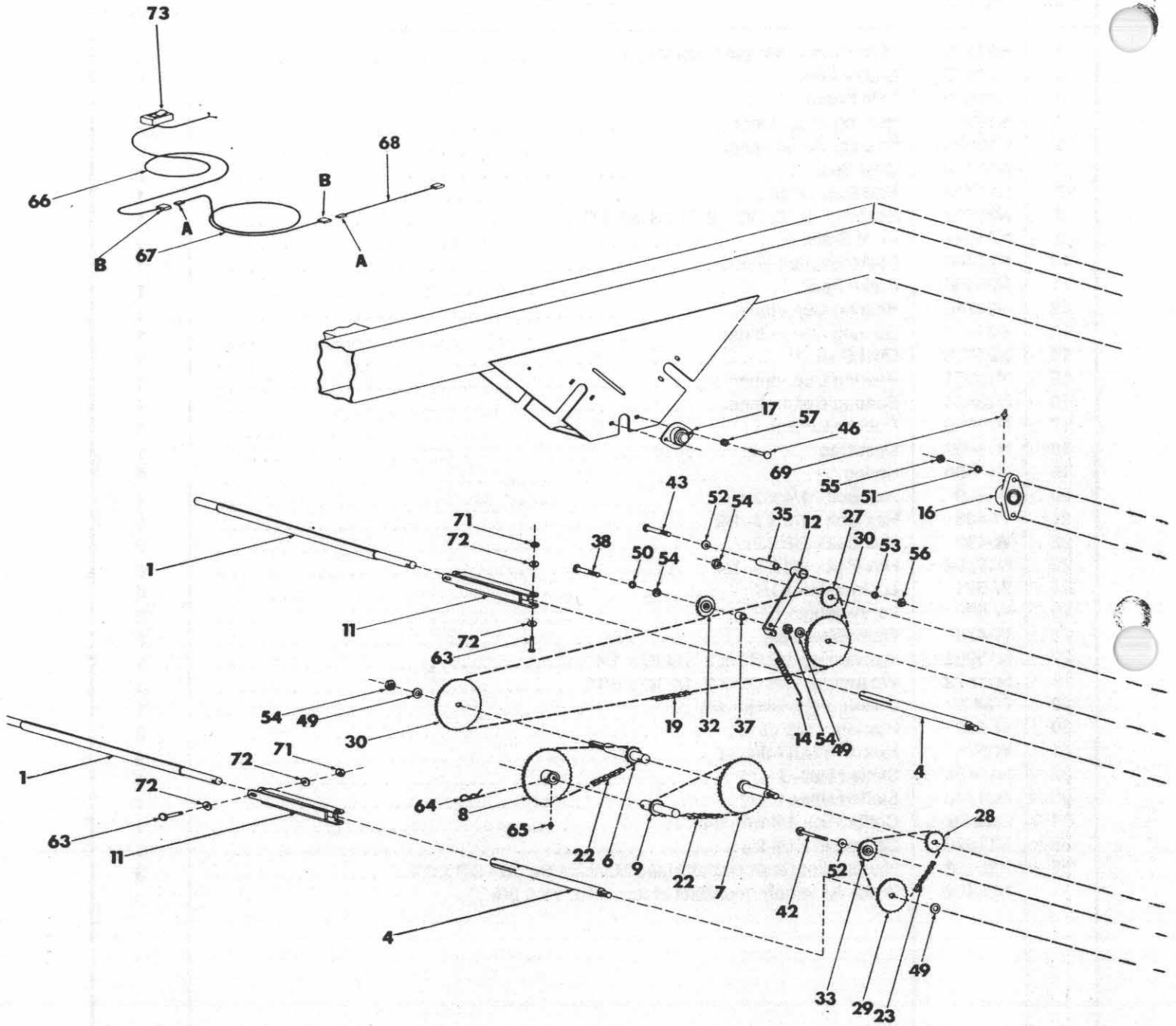
Item	Part No.	Description	No.Used
1	N24770	Main Frame .....	1
2	N21710	Castor Fork .....	1
3	N21300	Axle Beam .....	1
4	N19166	Spindle .....	2
5		Non-Drive Hub Assembly (See Section 3) .....	2
6	N25475	Tow Hitch .....	1
7	N19049	Left Inner Hitch Tube .....	1
8	N25671	Left Outer Hitch Tube .....	1
9	N19051	Right Inner Hitch Tube .....	1
10	N25670	Right Outer Hitch Tube .....	1
11	N19203	Hitch Mount Bracket .....	2
12	N22494	Tube - Inner .....	2
13	N22793	Tube - Outer .....	2
14	N22797	Mounting Plate .....	4
15	D10553	Tightener .....	2
16	N21687	Mount Bracket (up to 8 Single/10 Dual runs) .....	1
16A	N21767	Mount Bracket (up to 16 Dual runs) .....	1
17	R480034	Hose - 1.169 OD (Bulk/Ft) .....	1
18	N19448	Chain - 80 Links .....	1
19	N19717	Chain Hook .....	2
20	N24785	Extension Axle - Rt .....	1
21	N24786	Extension Axle - Lt .....	1
22	N24775	Spindle - .....	2
23		Non-Drive Hub Assembly (See Section 3) .....	1
24		Drive Hub Assembly (See Section 3) .....	1
25	N24781	Guard .....	1
26	N21592	Harrow Mount Bracket .....	2
27	C18760	Safety Chain .....	1
28	D-5140	Pin - 5/8 .....	2
29	W-558	Pin - 1 x 2 1/4 U.L. ....	2
30	W-1628	Pin - 1 x 3 3/4 U.L. ....	2
31	N19055	Pin - 1 x 5 13/32 U.L. ....	2
32	N16226	Pin - 1 1/8 x 3 1/16 U.L. ....	2
33	N19368	Pin - 1 1/4 x 3 7/8 U.L. ....	1
34	C-3932	U-Bolt - 1/2 x 4 x 7 1/4 .....	4
35	C-219	U-Bolt - 5/8 x 4 x 5 9/16 .....	4
36	C-4651	Set Screw - 1/4 x 1 .....	2
37	W-480	Hex Bolt - 3/8 x 2 1/2 .....	2
38	C-1550	Hex Bolt - 3/8 x 4 .....	6
39	S-1189	Hex Bolt - 1/2 x 1 3/4 .....	8
40	W-494	Hex Bolt - 1/2 x 3 3/4 .....	2
41	S-951	Hex Bolt - 1/2 x 4 1/2 .....	4
42	C-695	Hex Bolt - 3/4 x 2 .....	14
43	D-5489	Flatwasher - 3/8 .....	2
44	W-523	Lockwasher - 3/8 .....	8
45	W-525	Lockwasher - 1/2 .....	16
46	W-526	Lockwasher - 5/8 .....	8
47	W-518	Lockwasher - 3/4 .....	14
48	N19065	Flatwasher - 1 1/16 .....	1
49	W-514	Hex Nut - 3/8 .....	8
50	D-5279	Serrated Locknut - 3/8 .....	2
51	W-516	Hex Nut - 1/2 .....	16
52	F-3405	Unitorque Locknut - 1/2 .....	6
53	W-517	Hex Nut - 5/8 .....	8
54	W-527	Hex Nut - 3/4 .....	14
55	D-5274	Unitorque Locknut - 1 .....	1
56	BW-11	Hair Pin - 3/16 x 3 3/4 .....	5
57	N19307	Klik Pin .....	6
58	N25674	Decal - Important "TOW HITCH" .....	1
	N24301	Decal - "Caution - Read Manual" (Not Shown) .....	1
	N24412	Decal - "Important - Torque Nuts" (Not Shown) .....	1
	N19028	Decal - "Hairpin Location" (Not Shown) .....	1
	N19029	Decal "Arrow" - (Not Shown) .....	1
	N22800	Hitch Stand Kit (Items 12, 13, 14, 15, 28, 38, 41, 44, 48, 51, 54)	
	N20772	Harrow Mount Kit (Items 26, 34, 39, 45, 50)	



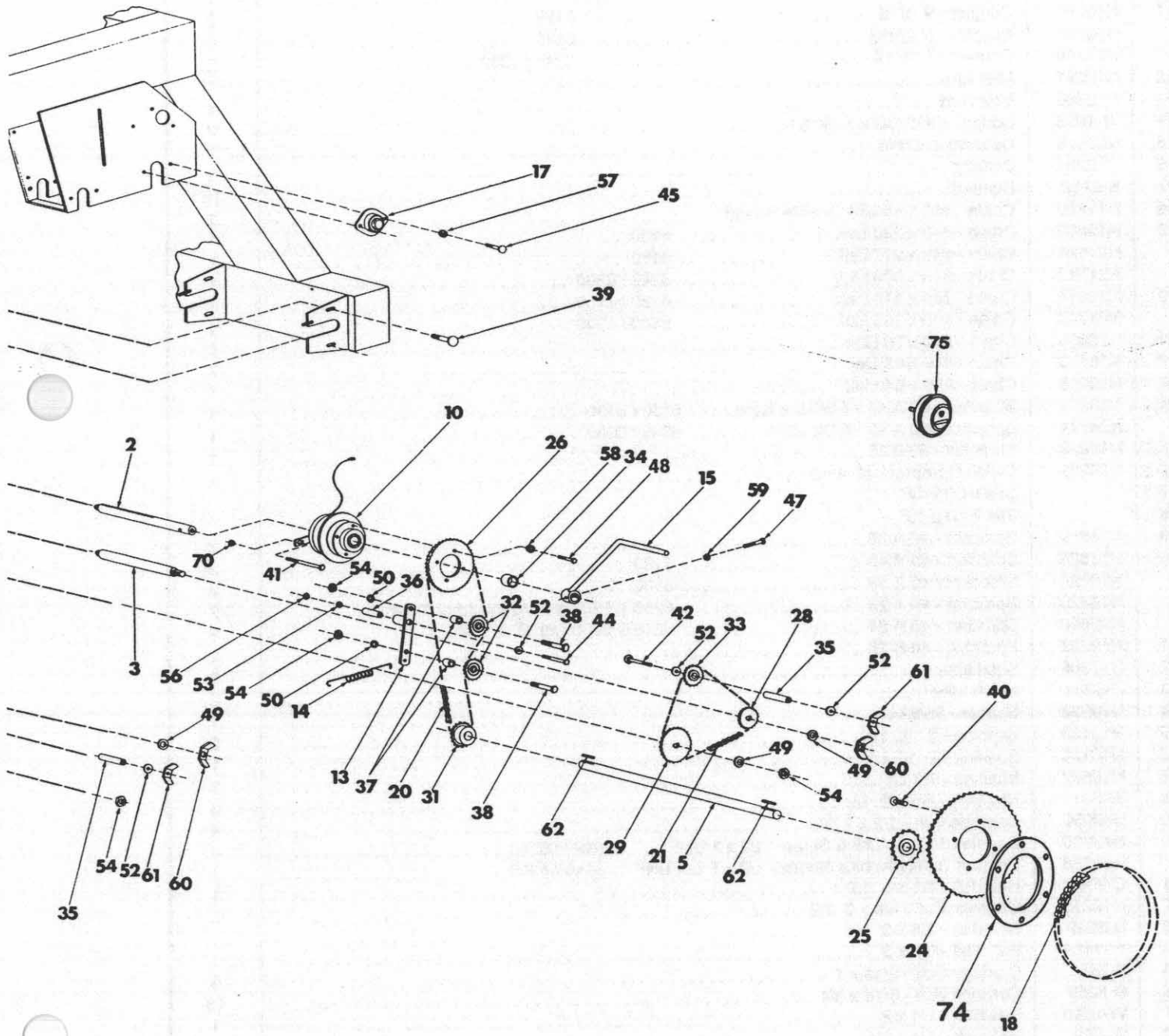
**6240 / 6300 CASTOR FORK**

Item	Part No.	Description	No.Used
1	N24770	Main Frame (Partial Front View) .....	1
2	N21710	Castor Fork .....	1
3	N21300	Axle Beam .....	1
4	N16028	Bearing Cup - Inner .....	2
5	N16030	Bearing Cone - Inner .....	2
6	N16032	Dust Seal .....	2
7	N21712	Equalizer Shaft .....	1
8	N21709	Bushing - 2 1/2 OD x 2 ID x 3 3/8 LG .....	1
9	N21711	Pivot Bracket .....	1
10	N25460	Brake Support Guide .....	1
11	N25465	Brake Pad .....	1
12	N21716	Bearing Cup - Inner .....	1
13	N21717	Bearing Cone - Inner .....	1
14	N21718	Dust Seal .....	1
15	N13951	Bearing Cup - Inner .....	1
16	N13954	Bearing Cone - Inner .....	1
17	N13959	Rubber Gasket .....	1
18	N13957	Dust Cap .....	1
19	N19596	Spring .....	2
20	W-469	Hex Bolt - 1/4 x 3/4 .....	4
21	W-493	Hex Bolt - 1/2 x 3 1/2 .....	1
22	W-499	Hex Bolt - 5/8 x 2 .....	2
23	N19482	Hex Bolt - 3/4 x 3 1/4 .....	2
24	W-521	Lockwasher - 1/4 .....	4
25	W-526	Lockwasher - 5/8 .....	2
26	W-476	Flatwasher - 3/4 .....	2
27	N13962	Washer - 2 1/2 OD x 2 1/4 ID x 1/4 .....	1
28	N11572	Washer - 2 3/4 OD x 2 1/2 ID x 3/16 .....	1
29	F-3405	Unitorque Locknut - 1/2 .....	1
30	W-518	Hex Nut - 5/8 .....	2
31	W-575	Hex Jam Nut - 3/4 .....	4
32	N19484	Slotted Nut - 1 1/4 .....	1
33	N21728	Slotted Nut - 1 1/2 .....	1
34	D-5239	Cotter Pin - 1/4 x 2 1/4 .....	1
35	N11575	Cotter Pin - 1/4 x 3 .....	1
36	N25463	Hex Socket Countersunk Head Machine Screw - 3/8 x 3/4 .....	3
	N25462	Brake Assembly (consists of Items 10, 11 & 36)	

# METERING DRIVE ASSEMBLY



# METERING DRIVE ASSEMBLY



### METERING DRIVE ASSEMBLY

Item	Part No.	Description	No.Used
1	N19024	Metering Shaft ..... 6130 .....	2
	N19687	Metering Shaft ..... 6180 / 6240 / 6300 .....	2
2	N19233	Clutch Shaft .....	1
3	N19241	Rate Change Shaft - 10 3/8 Lg .....	1
4	N19270	Meter End Shaft .....	2
5	N19239	Jack Shaft (Used on Tanks without Extension Axles) ..... 6130 / 6180 .....	2
	N24668	Jack Shaft - 26 3/8 Lg (Used on Tanks with Extension Axles) .. 6130 / 6180 .....	2
	N24782	Jack Shaft - 23 3/4 Lg .....	2
6	N19310	Slow Speed Shaft .....	1
7	N19309	Rate Change Shaft (Note: Replaceable Oillite Bushing N16853 Is Available) .....	1
8	N19244	Rate Change Shaft (Note: Replaceable Oillite Bushing N16853 Is Available) .....	1
9	N19256	Slow Speed Shaft .....	1
10	N16862	Electric Clutch .....	1
11	N19263	Coupler - 9 1/16 ..... 6130 .....	2
	N19760	Coupler - 5 15/16 ..... 6180 .....	2
	N21288	Coupler - 7 15/16 ..... 6240 / 6300 .....	2
12	N19261	Idler Arm .....	1
13	N19288	Idler Arm .....	1
14	W-1663	Spring- 23/32 OD x 7 9/16 Lg .....	2
15	N19278	Calibration Crank .....	1
16	N19224	Bearing .....	2
17	S-5762	Bearing .....	12
18	N19220	Chain - #60 x 48 Link Double Strand .....	1
19	N19259	Chain - #40 x 220 Link ..... 6130 .....	1
	N21024	Chain - #40 x 217 Link ..... 6180 .....	1
	N21742	Chain - #40 x 306 Link ..... 6240 / 6300 .....	1
20	N19014	Chain - #40 x 118 Link ..... 6130 / 6180 .....	1
	N21743	Chain - #40 x 103 Link ..... 6240 / 6300 .....	1
21	N16903	Chain - #40 x 70 Link .....	1
22	N16113	Chain - #40 x 69 Link .....	2
23	N19258	Chain - #40 x 64 Link .....	1
24	N19219	Sprocket - 60 A 48 - 4 3/8 Dia Bore .... 6130 / 6180 .....	1
	N24774	Sprocket - 60 A 48 - 6 Dia Bore ..... 6240 / 6300 .....	1
25	N19223	Sprocket - 60 B 15 .....	1
26	N19225	Clutch Sprocket - 40 A 36 .....	1
27		See NOTE "A" .....	
28		See NOTE "B" .....	
29	N16819	Sprocket - 40 A 25 .....	2
30	N16828	Sprocket - 40 A 40 ..... 6130 .....	2
	N16826	Sprocket - 40 A 35 ..... 6180 .....	2
	N16820	Sprocket - 40 A 26 ..... 6240 & 6300 with All Weather Tires .....	2
	N16818	Sprocket - 40 A 24 ..... 6240 & 6300 with Rice Tires .....	2
31	N19237	Sprocket - 40 B 18 .....	1
32	D17808	Steel Idler .....	3
33	D-5234	Nylon Idler .....	2
34	N19232	Spacer - 35/32 Lg .....	1
35	N19460	Bushing - 2 1/2 Lg .....	3
36	N16156	Bushing - 2 1/8 Lg .....	1
37	N19577	Bushing - 7/8 Lg .....	3
38	W-501	Hex Bolt - 5/8 x 2 1/2 .....	3
39	H-4584	Carriage Bolt - 1/2 x 1 1/2 .....	4
40	N19230	Counter Sunk Machine Screw - 1/2 x 1 UNF ..... 6130 / 6180 .....	4
	N24780	Counter Sunk Machine Screw - 1/2 x 1 3/4 UNF .. 6240 / 6300 .....	4
41	C-3664	Hex Bolt - 3/8 x 5 1/2 .....	1
42	N19283	Carriage Bolt - 3/8 x 3 1/2 .....	2
43	D-5249	Hex Bolt - 3/8 x 3 1/4 .....	1
44	W-1854	Hex Bolt - 3/8 x 3 .....	1
45	S-745	Carriage Bolt - 5/16 x 1 .....	6
46	D-5259	Carriage Bolt - 5/16 x 3/4 .....	18
47	W-1540	Hex Bolt - 1/4 x 2 .....	1
48	W-469	Hex Bolt - 1/4 x 3/4 .....	4
49	W-793	Flatwasher - 5/8 .....	6

**METERING DRIVE ASSEMBLY (continued ...)**

Item	Part No.	Description	No.Used
50	W-526	Lockwasher - 5/8 .....	3
51	W-525	Lockwasher - 1/2 .....	4
52	N19706	Flatwasher - 3/8 .....	6
53	W-523	Lockwasher - 3/8 .....	2
54	W-517	Hex Nut - 5/8 .....	8
55	W-516	Hex Nut - 1/2 .....	4
56	W-514	Hex Nut - 3/8 .....	2
57	D-5278	Serrated Locknut - 5/16 .....	24
58	D-5277	Serrated Locknut - 1/4 .....	4
59	N15757	Locknut - 1/4 .....	1
60	N19590	Wing Locknut - 5/8 .....	2
61	N19591	Wing Locknut - 3/8 .....	2
62	S10730	Key - 1/4 x 1/4 x 1 1/4 Lg .....	2
63	N22777	Hex Bolt - 1/4 x 2 1/4 GR 8 .....	4
64	P1318510	Hair Pin - #19 x 4 3/8 Lg .....	1
65	S-752	Grease Zerk - 1/4 STR .....	2
66	N16890	Clutch Switch Harness (Includes Item #73) .....	1
67	N16893	Tow Behind Extension Wire .....	1
68	N19373	Clutch Wire ..... 6130 / 6180 .....	1
	N21726	Clutch Wire ..... 6240 / 6300 .....	1
69	F-3056	Grease Zerk - 1/4 x 90 .....	2
70	M-3388	Locknut - 3/8 .....	1
71	N22778	Locknut - 1/4 .....	4
72	S-1198	Flatwasher - 1/4 .....	8
73	N16891	Clutch Switch .....	1
74	N24779	Spacer Ring - Drive Sprocket ..... 6240 / 6300 ONLY .....	1
75	D-5016	Acre Meter #750-0240 ..... (Optional) .....	1
A	N21538	Brylite End - 4 Pin Male .....	
B	N21539	Brylite End - 4 Pin Female .....	

**NOTE "A":**

Cultivator Trip Spacing Sprockets

-7" Spacing .....	Use N24362 .....	40 A 09
-8" Spacing .....	Use N19227 .....	40 A 10
-9" Spacing .....	Use N16808 .....	40 A 11
-12" Spacing .....	Use N16811 .....	40 A 15

**NOTE "B":**

Metering Rate Change Sprockets

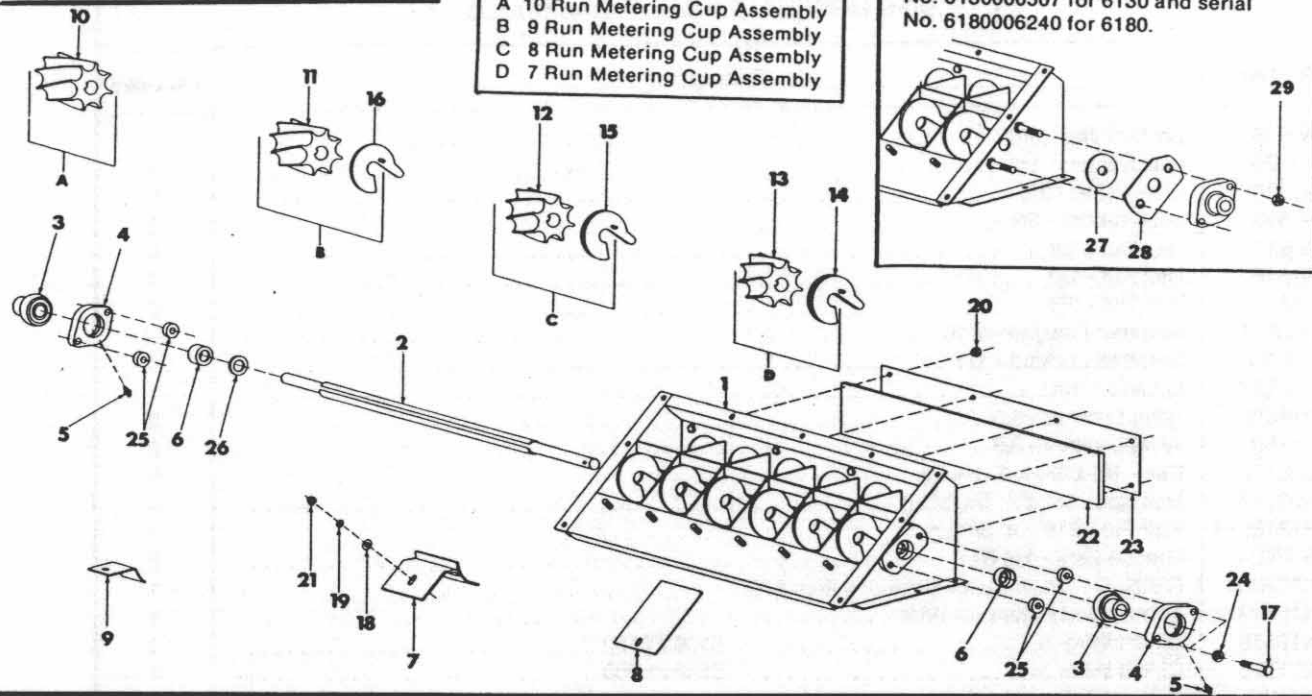
-N16808 .....	40 A 11	-N16818 .....	40 A 24
-N16809 .....	40 A 12	-N16819 .....	40 A 25
-N16810 .....	40 A 13	-N16820 .....	40 A 26
-N19003 .....	40 A 14	-N16821 .....	40 A 27
-N16811 .....	40 A 15	-N16822 .....	40 A 28
-N16812 .....	40 A 16	-N16823 .....	40 A 29
-N19004 .....	40 A 17	-N16824 .....	40 A 31
-N16813 .....	40 A 18	-N16825 .....	40 A 32
-N16814 .....	40 A 19	-N16826 .....	40 A 35
-N16815 .....	40 A 20	-N16827 .....	40 A 38
-N16816 .....	40 A 21	-N16828 .....	40 A 40
-N19005 .....	40 A 22	-N16829 .....	40 A 44
-N16817 .....	40 A 23	-N16830 .....	40 A 45

**NOTE "C":**

Optional Rate Change Sprockets Offered Through Part Department ONLY

-N19779 .....	40 A 30	-N19507 .....	40 A 37
-N19780 .....	40 A 33	-N19799 .....	40 A 39
-N19750 .....	40 A 34	-N19513 .....	40 A 41
-N19583 .....	40 A 36	-N19797 .....	40 A 42
		-N19798 .....	40 A 43

# METERING BODY ASSEMBLY

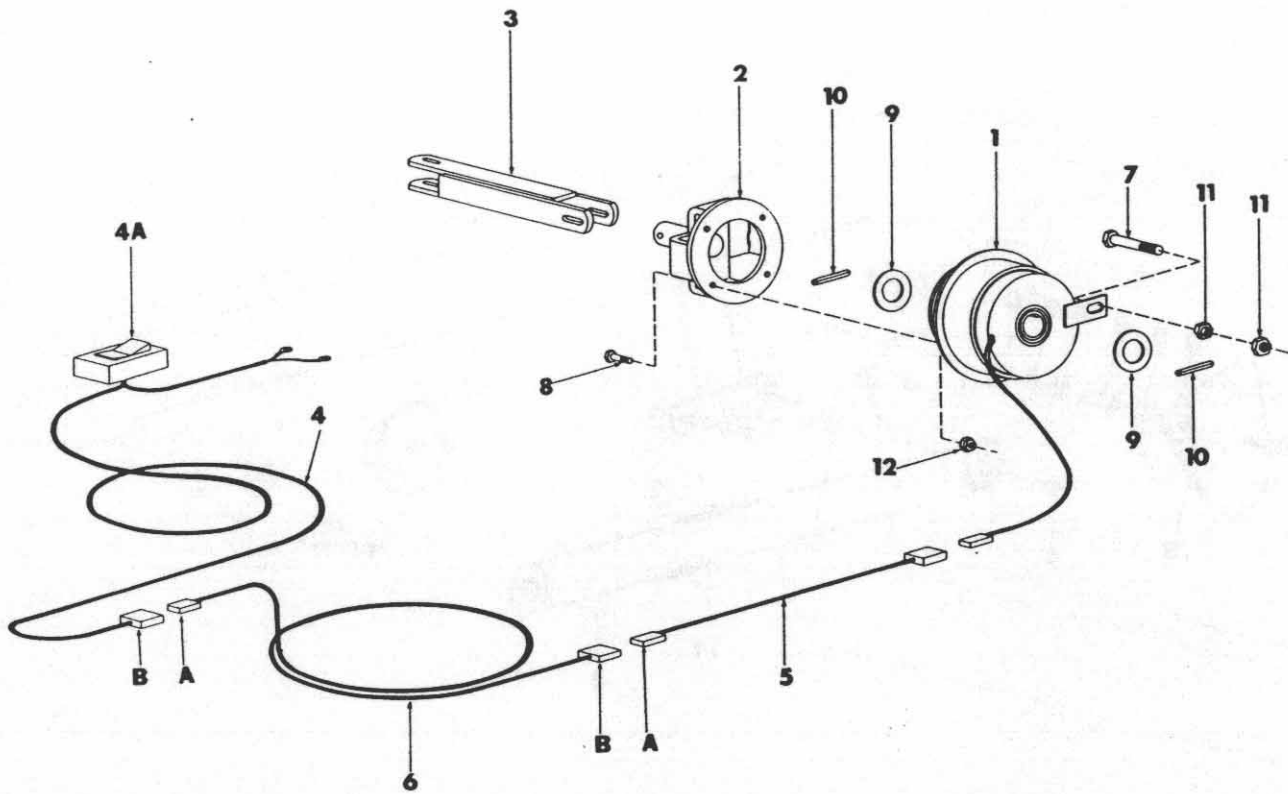


A 10 Run Metering Cup Assembly  
 B 9 Run Metering Cup Assembly  
 C 8 Run Metering Cup Assembly  
 D 7 Run Metering Cup Assembly

Bearing Assembly used prior to serial  
 No. 6130000507 for 6130 and serial  
 No. 6180006240 for 6180.

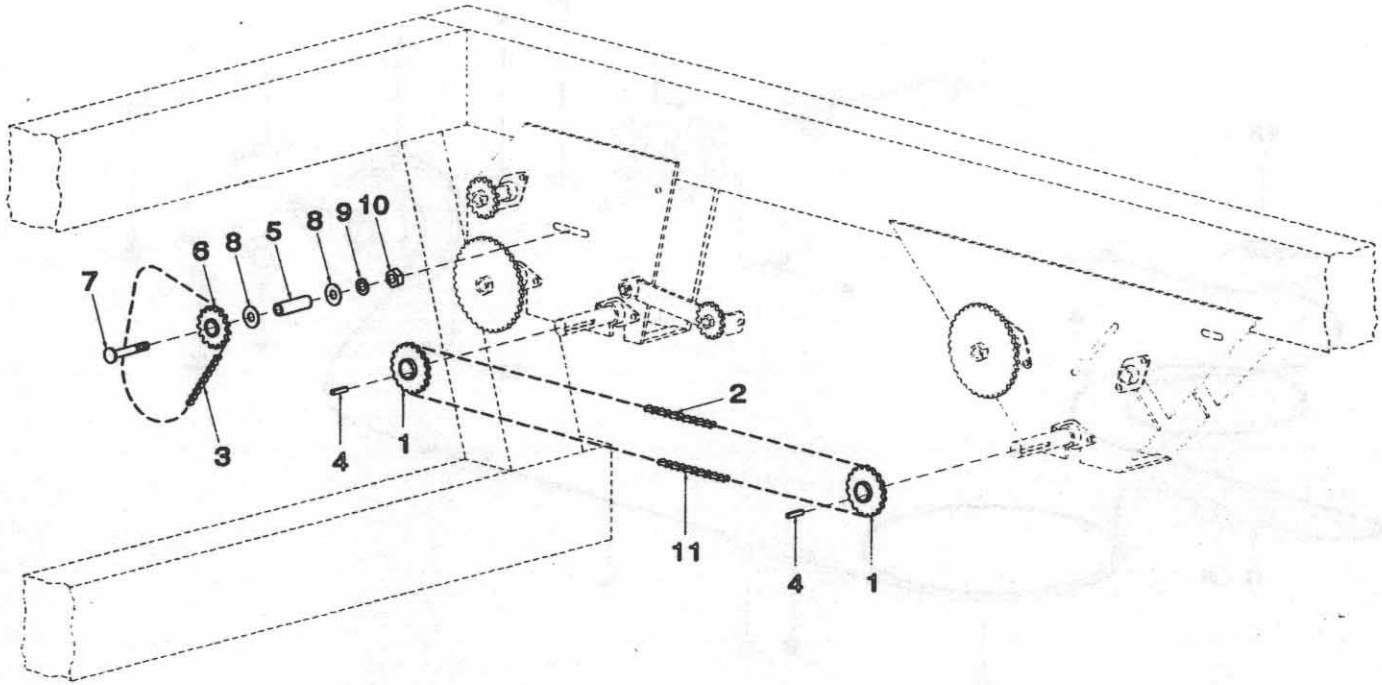
Item	Part No.	Description	No.Used	
			6130	6180 / 6240 / 6300
1	N19490	Metering Body	1	-
	N19686	Metering Body	-	1
2	N19024	Metering Shaft	1	-
	N19687	Metering Shaft	-	1
3	N22818	Bearing (Includes Locking Collar) - Greasable	2	2
	N19269	Bearing Assembly (Includes Items 3, 4 & 5)		
4	N22817	Housing	2	2
5	S-752	Grease Nipple - 1/4 Straight	2	2
6	N21659	Seal	2	2
7	N19070	Slider	As Req'd	As Req'd
8	N19407	Blank Off	As Req'd	As Req'd
9	N19040	Meter Wheel Feeler Gauge	1	1
10	N22760	#10 Meter Wheel	Used only on 6130	
11	N22761	#9 Meter Wheel	up to Serial Number	
12	N22763	#8 Meter Wheel	6130000450	As Req'd
13	N22763	#7 Meter Wheel	Black in Color	As Req'd
10	N19526	#10 Meter Wheel		
11	N19527	#9 Meter Wheel		
12	N19528	#8 Meter Wheel	White in Color	As Req'd
13	N19529	#7 Meter Wheel		
14	N19077	#7 Wheel Spacer	As Req'd	As Req'd
15	N19076	#8 Wheel Spacer	As Req'd	As Req'd
16	N19075	#9 Wheel Spacer	As Req'd	As Req'd
17	W-477	Hex Bolt - 3/8 x 1 1/2	4	4
18	D-5488	Flatwasher - 5/16	6	8
19	W-522	Lockwasher - 5/16	6	8
20	D-5278	Serrated Locknut - 5/16	8	10
21	N15114	Hex Nut - 5/16 Stainless Steel	8	8
22	N21198	Seal Strip - 3/8 x 3 1/2 (Bulk Per Foot)	1.54 Ft	2.06 Ft
23	N21197	Cover Plate	1	-
	N21199	Cover Plate	-	1
24	W-523	Lockwasher - 3/8	4	4
25	N21602	Spacer	4	4
26	N21612	Backing Washer	1	1
27	N19268	Seal	Used up to Serial No. 6130000507	
28	N19266	Left Bearing Mount	on 6130 and Serial No. 61800006240	
28A	N19267	Right Bearing Mount	on 6180	
29	M-3388	Locknut - 3/8 Unitorque	4	4

## OPTIONAL FERTILIZER CLUTCH ASSEMBLY



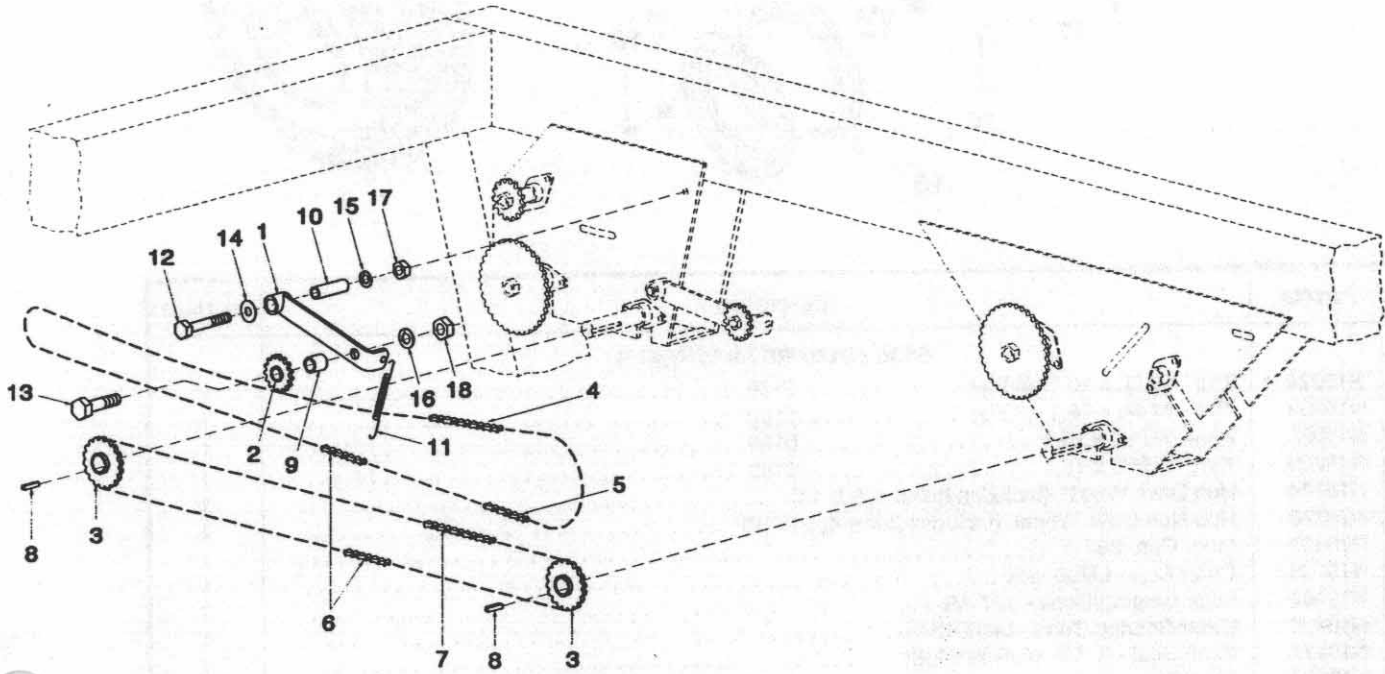
Item	Part No.	Description	No.Used
1	N16862	Electric Clutch .....	1
2	N19470	Coupler - Fertilizer Clutch .....	1
3	N19472	Coupler -Metering - 6 3/4 ..... 6130 .....	1
	N19762	Coupler -Metering - 3 5/8 ..... 6180 .....	1
	N21287	Coupler -Metering - 5 5/8 ..... 6240 / 6300 .....	1
4	N16890	Clutch Switch Harness (Includes 4A) .....	1
4A	N16891	Clutch Switch .....	1
5	N21726	Clutch Wire .....	1
5A	N24583	Clutch Wire (Bulk/Ft)	
6	N16893	Tow Behind Clutch Extension Wire .....	1
7	C-1550	Hex Bolt - 3/8 x 4 .....	1
8	W-469	Hex Bolt - 1/4 x 3/4 .....	4
9	H18268	Flatwasher - 1 .....	2
10	S-4781	Spiral Pin - 1/4 x 1 1/2 .....	2
11	W-514	Hex Nut - 3/8 .....	2
12	D-5277	Serrated Locknut - 1/4 .....	4
A	N21538	Brylite End - 4 Pin Male	
B	N21539	Brylite End - 4 Pin Female	
	N20387	Tow Behind Fertilizer Clutch Assembly Kit (Includes All Above Items)	
	N20388	Tow Between Fertilizer Clutch Assembly Kit (Includes All Above Items Except #6)	

**OPTION #1 METER SHAFT COUPLING KIT**  
**Using the Rear Transmission**



Item	Part No.	Description	No.Used
1	N19237	Sprocket - 40 B 18 .....	2
2	N19473	Chain - #40 x 178 Links .....	1
3	N19064	Chain - #40 x 58 Links .....	1
4	S10730	Key - 1/4 x 1/4 x 1 1/4 Lg .....	2
5	N19460	Bushing - 2 1/2 Lg .....	1
6	D-5234	Nylon Idler .....	1
7	N19283	Carriage Bolt - 3/8 x 3 1/2 .....	1
8	N19706	Flatwasher - 3/8 .....	2
9	W-523	Lockwasher - 3/8 .....	1
10	W-514	Hex Nut - 3/8 .....	1
11	S-5775	Chain - #40 x 86 Links ..... 6240 / 6300 ONLY .....	1
	N19085	Meter Shaft Coupling Kit (Includes Items for Options 1 & 2)	

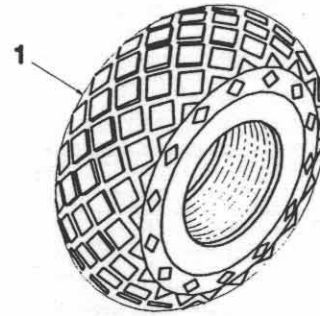
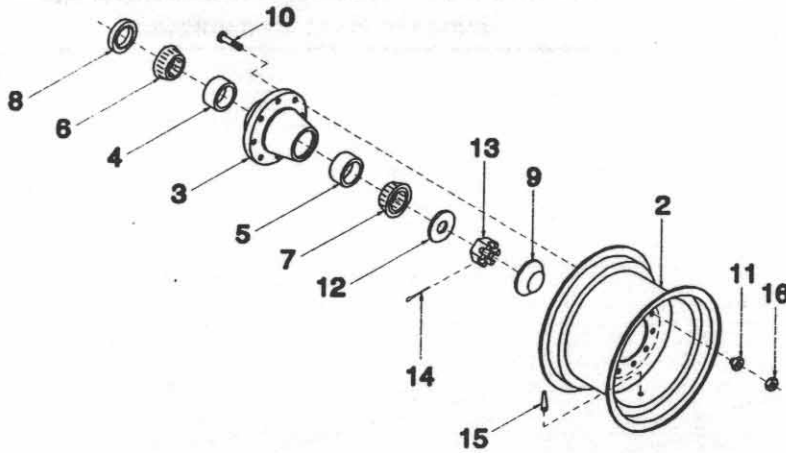
**OPTION # 2 METER SHAFT COUPLING KIT**  
Using the Front Transmission



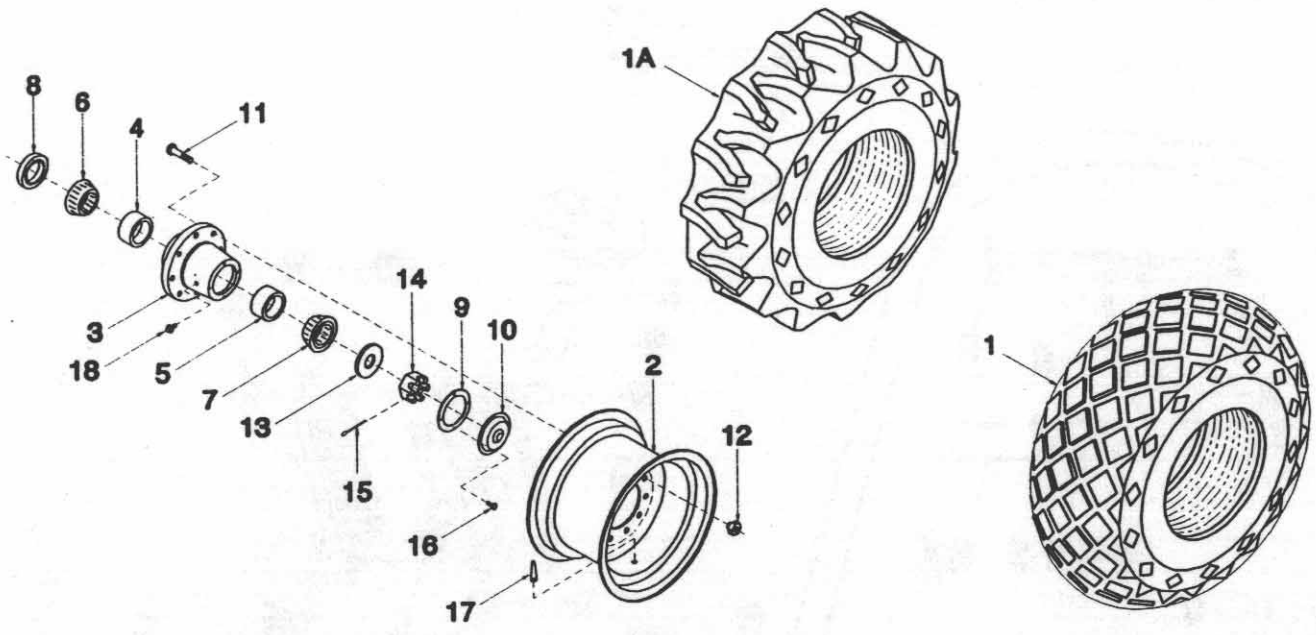
Item	Part No.	Description	No.Used
1	N19261	Idler Arm .....	1
2	D17808	Sprocket - 40 A 17 .....	1
3	N19237	Sprocket - 40 B 18 .....	2
4	N21081	Chain - #40 x 147 Links .....	1
5	N19064	Chain - #40 x 58 Links .....	1
6	S-5775	Chain - #40 x 86 Links ..... 6240 / 6300 ONLY	2
7	N19473	Chain - #40 x 178 Links .....	1
8	S10730	Key - 1/4 x 1/4 x 1 1/4 Lg .....	2
9	N19577	Bushing - 7/8 Lg .....	1
10	N19460	Bushing - 2 1/2 Lg .....	1
11	W-1663	Spring - 23/32 OD x 7 9/16 Lg .....	1
12	D-5249	Hex Bolt - 3/8 x 3 1/4 .....	1
13	W-501	Hex Bolt - 5/8 x 2 1/2 .....	1
14	N19706	Flatwasher - 3/8 .....	1
15	W-523	Lockwasher - 3/8 .....	1
16	W-526	Lockwasher - 5/8 .....	1
17	W-514	Hex Nut - 3/8 .....	1
18	W-517	Hex Nut - 5/8 .....	1
	N19085	Meter Shaft Coupling Kit (Includes Items for Options 1 & 2)	

# WHEEL & HUB ASSEMBLY

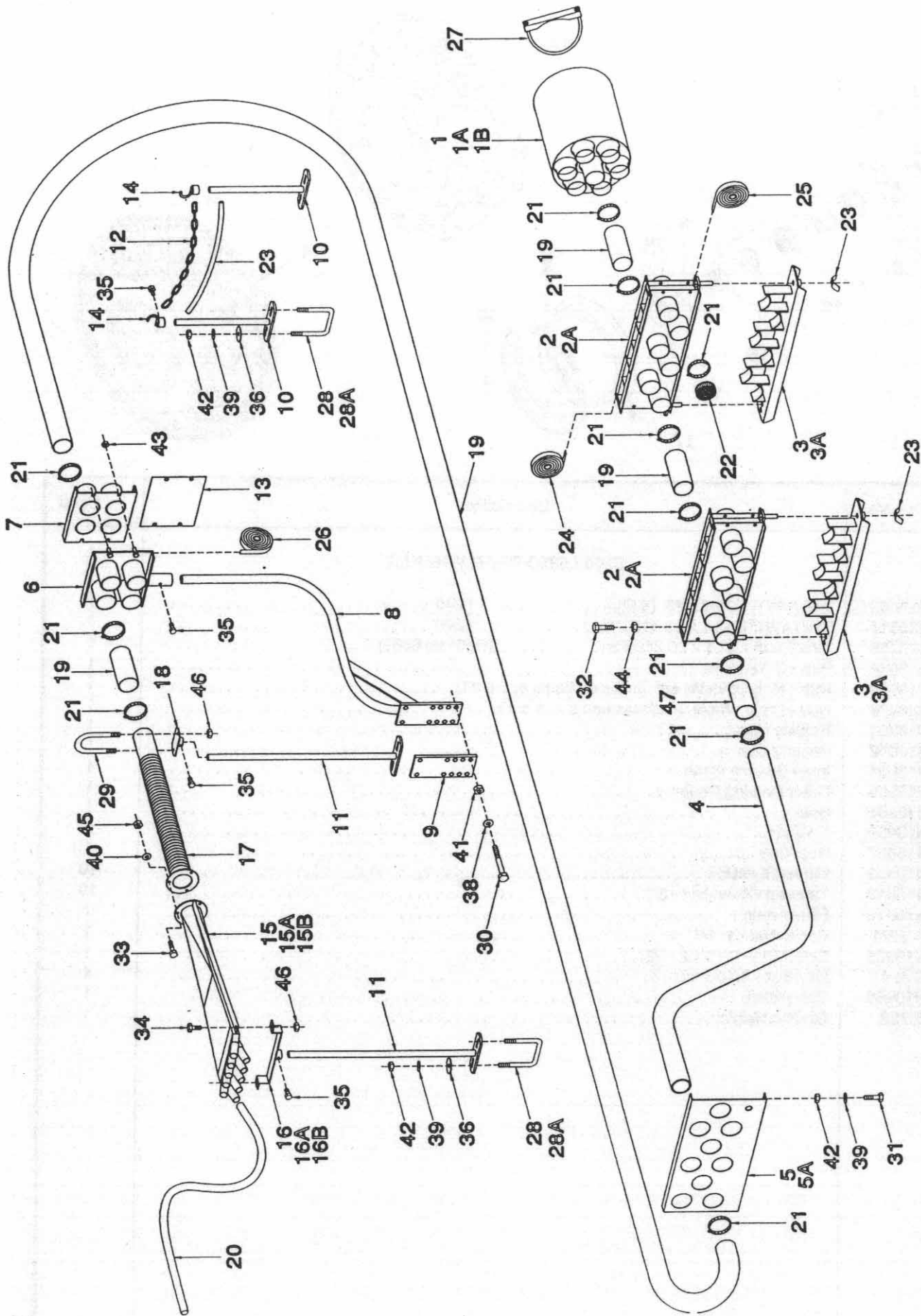
6130 / 6180 REAR WHEELS  
 6130 / 6180 FRONT CASTOR FORK  
 6240 / 6300 FRONT CASTOR FORK



Item	Part No.	Description	No.Used
<b>6130 / 6180 REAR WHEELS</b>			
1	N16024	Tire - 16.5L x 16.1 (6 Ply) ..... 6130	1
1A	N19708	Tire - 21.5L x 16.1 (6 Ply) ..... 6180	1
2	N16025	Rim - W14C x 16.1 ..... 6130	1
2A	N19709	Rim - W18C x 16.1 ..... 6180	1
3	N19174	Hub Drive Wheel (Includes Items 4, 5 & 10) .....	1
3A	N19173	Hub Non-Drive Wheel (Includes Items 4, 5 & 10) .....	1
4	N19167	Inner Cup -382 A .....	1
5	N19168	Outer Cup - LM501310 .....	1
6	N19169	Inner Bearing Cone - 387 AS .....	1
7	N19170	Outer Bearing Cone - LM501349 .....	1
8	N19172	Shaft Seal - 2 1/2 (C/R #25108) .....	1
9	N19171	Dust Cap .....	1
10	N19727	Press-In Bolt - 5/8-18 UNF x 2 1/2 .....	8
11	N19586	Tapered Wheel Nut - 5/8-18 UNF .....	8
12	D-5499	Flatwasher - 1 5/16 ID x 2 3/4 OD .....	1
13	N19484	Slotted Hex Nut - 1 1/4-12 UNF .....	1
14	D-5239	Cotter Pin - 1/4 x 2 1/4 .....	1
15	W-3328	Valve Stem Assembly .....	1
<b>6130 / 6180 FRONT CASTOR FORK</b>			
1	N16024	Tire - 16.5L x 16.1 (6 Ply) ..... 6130	1
1A	N19708	Tire - 21.5L x 16.1 (6 Ply) ..... 6180	1
2	N16025	Rim - W14C x 16.1 ..... 6130	1
2A	N19709	Rim - W16C x 16.1 ..... 6180	1
11	N19586	Tapered Wheel Nut - 5/8-18 UNF .....	8
15	W-3328	Valve Stem Assembly .....	1
16	C-708	Hex Nut - 5/8-18 UNF .....	8
<b>6240 / 6300 FRONT CASTOR FORK</b>			
1	N19708	Tire - 21.5L x 16.1 (6 Ply) ..... 6240	1
1A	N25616	Tire - 21.5L x 16.1 (10 Ply) ..... 6300	1
2	N19709	Rim - W18C x 16.1 .....	1
3A	N19173	Hub Non-Drive Wheel (Includes Items 4, 5 & 10) .....	1
4	N19167	Inner Cup -382 A .....	1
5	N19168	Outer Cup - LM501310 .....	1
6	N19169	Inner Bearing Cone - 387 AS .....	1
7	N19170	Outer Bearing Cone - LM501349 .....	1
8	N19172	Shaft Seal - 2 1/2 (C/R #25108) .....	1
9	N19171	Dust Cap .....	1
10	N19727	Press-In Bolt - 5/8-18 UNF x 2 1/2 .....	8
11	N19586	Tapered Wheel Nut - 5/8-18 UNF .....	8
12	D-5499	Flatwasher - 1 5/16 ID x 2 3/4 OD .....	1
13	N19484	Slotted Hex Nut - 1 1/4-12 UNF .....	1
14	D-5239	Cotter Pin - 1/4 x 2 1/4 .....	1
15	W-3328	Valve Stem Assembly .....	1

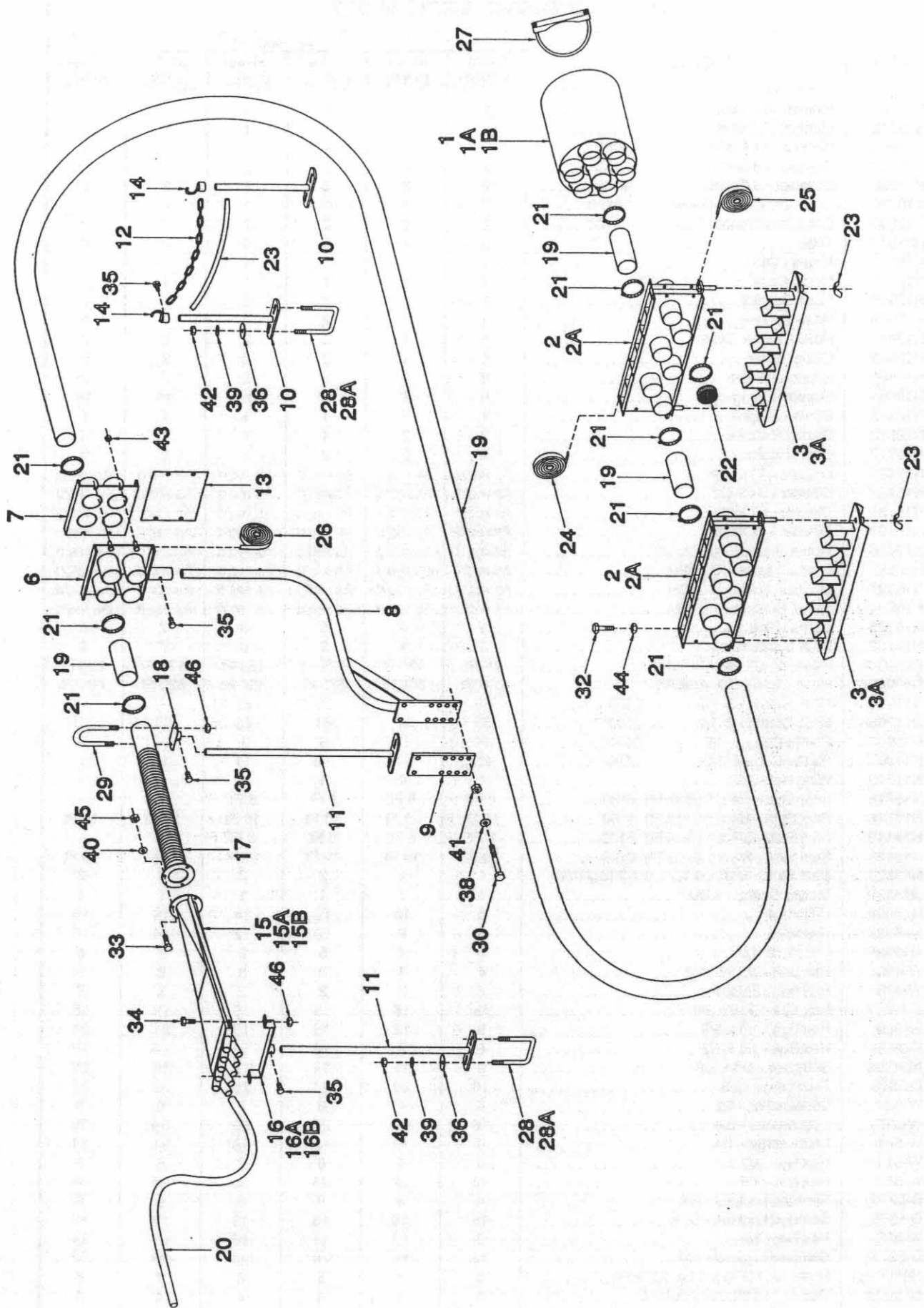


Item	Part No.	Description	No.Used
<b>6240 / 6300 REAR WHEELS</b>			
1	N13963	Tire (AWT) - 23.1 x 26 (8 Ply) ..... 6240 .....	1
	N25617	Tire (AWT) - 23.1 x 26 (12 Ply) ..... 6300 .....	1
1A	N25755	Tire (Rice) - 23.1 x 26 (10 Ply) ..... (Optional 6300) .....	1
2	N13964	Rim - DW20 x 26 .....	1
3	N13950	Hub - Non-Drive Wheel (Includes Items 4, 5 & 11) .....	1
3A	N25479	Hub - Drive Wheel (Includes Items 4, 5 & 11) .....	1
4	N13951	Bearing Cup .....	1
5	N13952	Bearing Cup .....	1
6	N13954	Inner Bearing Cone .....	1
7	N13955	Outer Bearing Cone .....	1
8	N13956	Seal .....	1
9	N13959	Gasket .....	1
10	N13957	Dust Cap .....	1
11	N13953	Wheel Stud Bolt .....	10
12	N13958	Tapered Wheel Nut - 3/4 .....	10
13	N13962	Flatwasher .....	1
14	D-5271	Castle Nut - 1 1/4 .....	1
15	N13965	Cotter Pin - 3/16 x 2 1/2 .....	1
16	D-5247	Hex Bolt - 5/16 x 1/2 .....	4
17	N13968	Valve Stem .....	1
18	S-752	Grease Nipple .....	1



**6130 / 6180 TOW BEHIND - SINGLE SHOOT**

Item	Part No.	Description	No.Used					
			21-30 RUNS	31-40 RUNS	41-50 RUNS	51-60 RUNS	61-70 RUNS	71-80 RUNS
1	N19039	Plenum - 7 Outlet .....	1	1	1	-	-	-
1A	N19042	Plenum - 9 Outlet .....	-	-	-	1	1	-
1B	N19700	Plenum - 11 Outlet ..... 6180 .....	-	-	-	-	-	1
2	N19080	Collector - 6 Outlet ..... 6130 .....	2	2	2	2	-	-
2A	N19690	Collector - 8 Outlet ..... 6180 .....	2	2	2	2	2	2
3	N19289	Collector Cleanout Door .... 6130 .....	2	2	2	2	-	-
3A	N19693	Collector Cleanout Door .... 6180 .....	2	2	2	2	2	2
4	N21679	Tube .....	3	4	5	6	7	8
5	N19521	Mount Plate .....	1	1	1	1	-	-
5A	N19522	Mount Plate ..... 6180 .....	1	1	1	1	1	1
6	N19395	Hose Coupler .....	1	1	2	2	2	2
7	N19398	Hose Coupler .....	1	1	2	2	2	2
8	N19410	Hose Coupler Base .....	1	1	2	2	2	2
9	N19409	Clamp Strap .....	1	1	2	2	2	2
10	N15105	Support - Short .....	2	2	2	2	2	2
11	N19531	Support - Long .....	6	8	10	12	14	16
12	N19448	Chain - 80 Link .....	1	1	1	1	1	1
13	N19573	Blank Off Cover .....	2	2	4	4	4	4
14	N19717	Chain Hook .....	2	2	2	2	2	2
15	N19405	Diffuser - 10 Outlet .....	As req'd	As req'd	As req'd	As req'd	As req'd	As req'd
15A	N15136	Diffuser - 9 Outlet .....	As req'd	As req'd	As req'd	As req'd	As req'd	As req'd
15B	N15137	Diffuser - 8 Outlet .....	As req'd	As req'd	As req'd	As req'd	As req'd	As req'd
15C	N15123	Diffuser - 7 Outlet .....	As req'd	As req'd	As req'd	As req'd	As req'd	As req'd
16	N19406	Mount Bracket - 10 Outlet .....	As req'd	As req'd	As req'd	As req'd	As req'd	As req'd
16A	N15595	Mount Bracket - 9 Outlet .....	As req'd	As req'd	As req'd	As req'd	As req'd	As req'd
16B	N15107	Mount Bracket - 8 Outlet .....	As req'd	As req'd	As req'd	As req'd	As req'd	As req'd
16C	N15594	Mount Bracket - 7 Outlet .....	As req'd	As req'd	As req'd	As req'd	As req'd	As req'd
17	N15135	Divider Pipe .....	3	4	5	6	7	8
18	N15102	Rear Support .....	3	4	5	6	7	8
19	R480029	Hose - 2 1/2 Dia (Bulk/Ft) .....	75 Ft	100 Ft	125 Ft	150 Ft	175 Ft	200 Ft
20	R480034	Hose - 1.169 OD (Bulk/Ft) .....	225 Ft	300 Ft	375 Ft	450 Ft	525 Ft	600 Ft
21	N11905	Hose Clamp - 2 1/2 ..... 6130 .....	46	51	56	61	-	-
	N11905	Hose Clamp - 2 1/2 ..... 6180 .....	53	57	61	65	69	73
22	N11907	Plastic Cap - 2 1/2 ..... 6130 .....	16	11	6	1	-	-
	N11907	Plastic Cap - 2 1/2 ..... 6180 .....	26	21	16	11	6	1
23	N11673	Wing Nut - 1/2 .....	4	4	4	4	4	4
24	N15716	Seal Strip - 1/4 x 1 (Bulk/Ft) 6130 .....	8 Ft	8 Ft	8 Ft	8 Ft	-	-
	N15716	Seal Strip - 1/4 x 1 (Bulk/Ft) 6180 .....	10 Ft	10 Ft	10 Ft	10 Ft	10 Ft	10 Ft
25	N19449	Seal Strip - 3/8 x 1 (Bulk/Ft) 6130 .....	8 Ft	8 Ft	8 Ft	8 Ft	-	-
	N19449	Seal Strip - 3/8 x 1 (Bulk/Ft) 6180 .....	10 Ft	10 Ft	10 Ft	10 Ft	10 Ft	10 Ft
26	N19030	Seal Strip - 1/16 x 6 1/2 x 6 1/2 (Bulk/Ft)	1	1	2	2	2	2
27	N15930	Muffler Clamp - 6 Dia .....	1	1	1	1	1	1
28	N15098	U-Bolt - 4 .....	8	10	12	14	16	18
28A	N15097	U-Bolt - 2 .....	6	8	10	12	14	16
29	N15096	U-Bolt - 2 1/2 .....	3	4	5	6	7	8
30	W-496	Hex Bolt - 1/2 x 5 1/2 .....	4	4	8	8	8	8
31	W-475	Hex Bolt - 3/8 x 1 .....	2	2	2	2	2	2
32	F-1767	Hex Bolt - 5/16 x 3/4 .....	16	16	16	16	16	16
33	W-469	Hex Bolt - 1/4 x 3/4 .....	9	12	15	18	21	24
34	K-3830	Hex Bolt - 1/4 x 1/2 .....	6	8	10	12	14	16
35	N24396	Setscrew - 1/4 x 3/8 .....	9	11	14	16	18	20
36	D-5579	Flatwasher - 3/8 .....	16	20	24	28	32	36
38	W-525	Lockwasher - 1/2 .....	4	4	8	8	8	8
39	W-523	Lockwasher - 3/8 .....	18	22	26	30	34	38
40	W-521	Lockwasher - 1/4 .....	9	12	15	18	21	24
41	W-516	Hex Nut - 1/2 .....	4	4	8	8	8	8
42	W-514	Hex Nut - 3/8 .....	18	22	26	30	34	38
43	D-5279	Serrated Locknut - 3/8 .....	4	4	8	8	8	8
44	D-5278	Serrated Locknut - 5/16 .....	16	16	16	16	16	16
45	W-512	Hex Nut - 1/4 .....	9	12	15	18	21	24
46	D-5277	Serrated Locknut - 1/4 .....	12	16	20	24	28	32
47	N6200259	Hose - 2 1/2 ID x 4 Lg (Bulk/Ft) .....	3	4	5	6	7	8
	N19000	Decal - "AIRFLOW ARROW" .....	4	4	4	4	4	4



**6130 / 6180 TOW BETWEEN - SINGLE SHOOT**

Item	Part No.	Description	No.Used					
			21-30 RUNS	31-40 RUNS	41-50 RUNS	51-60 RUNS	61-70 RUNS	71-80 RUNS
1	N19039	Plenum - 7 Outlet .....	1	1	1	-	-	-
1A	N19042	Plenum - 9 Outlet .....	-	-	-	1	1	-
1B	N19700	Plenum - 11 Outlet ..... 6180 ...	-	-	-	-	-	1
2	N19080	Collector - 6 Outlet ..... 6130 ...	2	2	2	2	-	-
2A	N19690	Collector - 8 Outlet ..... 6180 ...	2	2	2	2	2	2
3	N19289	Collector Cleanout Door .. 6130 ..	2	2	2	2	-	-
3A	N19693	Collector Cleanout Door .. 6180 ..	2	2	2	2	2	2
6	N19395	Hose Coupler .....	1	1	2	2	2	2
7	N19398	Hose Coupler .....	1	1	2	2	2	2
8	N19410	Hose Coupler Base .....	1	1	2	2	2	2
9	N19409	Clamp Strap .....	1	1	2	2	2	2
10	N15105	Support - Short .....	2	2	2	2	2	2
11	N19531	Support - Long .....	6	8	10	12	14	16
12	N19448	Chain - 80 Link .....	1	1	1	1	1	1
13	N19573	Blank Off Cover .....	2	2	4	4	4	4
14	N19717	Chain Hook .....	2	2	2	2	2	2
15	N19405	Diffuser - 10 Outlet .....	As req'd	As req'd	As req'd	As req'd	As req'd	As req'd
15A	N15136	Diffuser - 9 Outlet .....	As req'd	As req'd	As req'd	As req'd	As req'd	As req'd
15B	N15137	Diffuser - 8 Outlet .....	As req'd	As req'd	As req'd	As req'd	As req'd	As req'd
15C	N15123	Diffuser - 7 Outlet .....	As req'd	As req'd	As req'd	As req'd	As req'd	As req'd
16	N19406	Mount Bracket - 10 Outlet .....	As req'd	As req'd	As req'd	As req'd	As req'd	As req'd
16A	N15595	Mount Bracket - 9 Outlet .....	As req'd	As req'd	As req'd	As req'd	As req'd	As req'd
16B	N15107	Mount Bracket - 8 Outlet .....	As req'd	As req'd	As req'd	As req'd	As req'd	As req'd
16C	N15594	Mount Bracket - 7 Outlet .....	As req'd	As req'd	As req'd	As req'd	As req'd	As req'd
17	N15135	Divider Pipe .....	3	4	5	6	7	8
18	N15102	Rear Support .....	3	4	5	6	7	8
19	R480029	Hose - 2 1/2 Dia (Bulk/Ft) .....	75 Ft	100 Ft	125 Ft	150 Ft	175 Ft	200 Ft
20	R480034	Hose - 1.169 OD (Bulk/Ft) .....	225 Ft	300 Ft	375 Ft	450 Ft	525 Ft	600 Ft
21	N11905	Hose Clamp - 2 1/2 ..... 6130 ..	40	43	46	49	-	-
	N11905	Hose Clamp - 2 1/2 ..... 6180 ..	47	49	51	53	55	57
22	N11907	Plastic Cap - 2 1/2 ..... 6130 ..	16	11	6	-	-	-
	N11907	Plastic Cap - 2 1/2 ..... 6180 ..	26	21	16	11	6	1
23	N11673	Wing Nut - 1/2 .....	4	4	4	4	4	4
24	N15716	Seal Strip - 1/4 x 1 (Bulk/Ft) 6130 ..	8 Ft	8 Ft	8 Ft	8 Ft	-	-
	N15716	Seal Strip - 1/4 x 1 (Bulk/Ft) 6180 ..	10 Ft	10 Ft	10 Ft	10 Ft	10 Ft	10 Ft
25	N19449	Seal Strip - 3/8 x 1 (Bulk/Ft) 6130 ..	8 Ft	8 Ft	8 Ft	8 Ft	-	-
	N19449	Seal Strip - 3/8 x 1 (Bulk/Ft) 6180 ..	10 Ft	10 Ft	10 Ft	10 Ft	10 Ft	10 Ft
26	N19030	Seal Strip - 1/16 x 6 1/2 x 6 1/2 (Bulk/Ft) .....	1	1	2	2	2	2
27	N15930	Muffler Clamp - 6 Dia .....	1	1	1	1	1	1
28	N15098	U-Bolt - 4 .....	8	10	12	14	16	18
28A	N15097	U-Bolt - 2 .....	6	8	10	12	14	16
29	N15096	U-Bolt - 2 1/2 .....	3	4	5	6	7	8
30	W-496	Hex Bolt - 1/2 x 5 1/2 .....	4	4	8	8	8	8
32	F-1767	Hex Bolt - 5/16 x 3/4 .....	16	16	16	16	16	16
33	W-469	Hex Bolt - 1/4 x 3/4 .....	9	12	15	18	21	24
34	K-3830	Hex Bolt - 1/4 x 1/2 .....	6	8	10	12	14	16
35	N24396	Setscrew - 1/4 x 3/8 .....	9	11	14	16	18	20
36	D-5579	Flatwasher - 3/8 .....	16	20	24	28	32	36
38	W-525	Lockwasher - 1/2 .....	4	4	8	8	8	8
39	W-523	Lockwasher - 3/8 .....	16	20	24	28	32	36
40	W-521	Lockwasher - 1/4 .....	9	12	15	18	21	24
41	W-516	Hex Nut - 1/2 .....	4	4	8	8	8	8
42	W-514	Hex Nut - 3/8 .....	16	20	24	28	32	36
43	D-5279	Serrated Locknut - 3/8 .....	4	4	8	8	8	8
44	D-5278	Serrated Locknut - 5/16 .....	16	16	16	16	16	16
45	W-512	Hex Nut - 1/4 .....	9	12	15	18	21	24
46	D-5277	Serrated Locknut - 1/4 .....	12	16	20	24	28	32
	N19000	Decal-"AIRFLOW ARROW" .....	4	4	4	4	4	4



6240 / 6300 TOW BEHIND - SINGLE SHOOT

Item	Part No.	Description	No.Used					
			21-30 RUNS	31-40 RUNS	41-50 RUNS	51-60 RUNS	61-70 RUNS	71-80 RUNS
1	N19039	Plenum - 7 Outlet .....	1	1	1	-	-	-
1A	N19042	Plenum - 9 Outlet .....	-	-	-	1	1	1
1B	N19700	Plenum - 11 Outlet .....	-	-	-	-	-	1
2	N19690	Collector - 8 Outlet .....	2	2	2	2	2	2
3	N19693	Collector Cleanout Door .....	2	2	2	2	2	2
4	N21235	Tube .....	3	4	5	6	7	8
5	N19522	Mount Plate - 11 Primary .....	1	1	1	1	1	1
6	N19395	Hose Coupler .....	1	1	2	2	2	2
7	N19398	Hose Coupler .....	1	1	2	2	2	2
8	N19410	Hose Coupler Base .....	1	1	2	2	2	2
9	N19409	Clamp Strap .....	1	1	2	2	2	2
10	N15105	Support - Short .....	2	2	2	2	2	2
11	N19531	Support - Long .....	6	8	10	12	14	16
12	N19448	Chain - 80 Link .....	1	1	1	1	1	1
13	N19573	Blank Off Cover .....	2	2	4	4	4	4
14	N19717	Chain Hook .....	2	2	2	2	2	2
15	N19405	Diffuser - 10 Outlet .....	As req'd	As req'd	As req'd	As req'd	As req'd	As req'd
15A	N15136	Diffuser - 9 Outlet .....	As req'd	As req'd	As req'd	As req'd	As req'd	As req'd
15B	N15137	Diffuser - 8 Outlet .....	As req'd	As req'd	As req'd	As req'd	As req'd	As req'd
15C	N15123	Diffuser - 7 Outlet .....	As req'd	As req'd	As req'd	As req'd	As req'd	As req'd
16	N19406	Mount Bracket - 10 Outlet .....	As req'd	As req'd	As req'd	As req'd	As req'd	As req'd
16A	N15595	Mount Bracket - 9 Outlet .....	As req'd	As req'd	As req'd	As req'd	As req'd	As req'd
16B	N15107	Mount Bracket - 8 Outlet .....	As req'd	As req'd	As req'd	As req'd	As req'd	As req'd
16C	N15594	Mount Bracket - 7 Outlet .....	As req'd	As req'd	As req'd	As req'd	As req'd	As req'd
17	N15135	Divider Pipe .....	3	4	5	6	7	8
18	N15102	Rear Support .....	3	4	5	6	7	8
19	R480029	Hose - 2 1/2 Dia (Bulk/Ft) .....	75 Ft	100 Ft	125 Ft	150 Ft	175 Ft	200 Ft
20	R480034	Hose - 1.169 OD (Bulk/Ft) .....	225 Ft	300 Ft	375 Ft	450 Ft	525 Ft	600 Ft
21	N11905	Hose Clamp - 2 1/2 .....	65	73	81	89	97	105
22	N11907	Plastic Cap - 2 1/2 .....	16	11	6	1	-	-
23	N11673	Wing Nut - 1/2 .....	4	4	4	4	4	4
24	N15716	Seal Strip - 1/4 x 1 (Bulk/Ft) 6130 ..	8 Ft	8 Ft	8 Ft	8 Ft	-	-
	N15716	Seal Strip - 1/4 x 1 (Bulk/Ft) 6180 ..	10 Ft	10 Ft	10 Ft	10 Ft	10 Ft	10 Ft
25	N19449	Seal Strip - 3/8 x 1 (Bulk/Ft) 6130 ..	8 Ft	8 Ft	8 Ft	8 Ft	-	-
	N19449	Seal Strip - 3/8 x 1 (Bulk/Ft) 6180 ..	10 Ft	10 Ft	10 Ft	10 Ft	10 Ft	10 Ft
26	N19030	Seal Strip - 1/16 x 6 1/2 x 6 1/2 (Bulk/Ft) .....	1	1	2	2	2	2
27	N15930	Muffler Clamp - 6 Dia .....	1	1	1	1	1	1
28	N15098	U-Bolt - 4 .....	8	10	12	14	16	18
28A	N15097	U-Bolt - 2 .....	6	8	10	12	14	16
29	N15096	U-Bolt - 2 1/2 .....	3	4	5	6	7	8
30	W-496	Hex Bolt - 1/2 x 5 1/2 .....	4	4	8	8	8	8
31	W-475	Hex Bolt - 3/8 x 1 .....	2	2	2	2	2	2
32	F-1767	Hex Bolt - 5/16 x 3/4 .....	16	16	16	16	16	16
33	W-469	Hex Bolt - 1/4 x 3/4 .....	9	12	15	18	21	24
34	K-3830	Hex Bolt - 1/4 x 1/2 .....	6	8	10	12	14	16
35	N24396	Setscrew - 1/4 x 3/8 .....	9	11	14	16	18	20
36	D-5579	Flatwasher - 3/8 .....	16	20	24	28	32	36
38	W-525	Lockwasher - 1/2 .....	4	4	8	8	8	8
39	W-523	Lockwasher - 3/8 .....	18	22	26	30	34	38
40	W-521	Lockwasher - 1/4 .....	9	12	15	18	21	24
41	W-516	Hex Nut - 1/2 .....	4	4	8	8	8	8
42	W-514	Hex Nut - 3/8 .....	18	22	26	30	34	38
43	D-5279	Serrated Locknut - 3/8 .....	4	4	8	8	8	8
44	D-5278	Serrated Locknut - 5/16 .....	16	16	16	16	16	16
45	W-512	Hex Nut - 1/4 .....	9	12	15	18	21	24
46	D-5277	Serrated Locknut - 1/4 .....	12	16	20	24	28	32
47	N6200259	Hose - 2 1/2 ID x 4 Lg (Bulk/Ft) ..	9	12	15	18	21	24
48	N21754	Steel Tube .....	3	4	5	6	7	8
	N19000	Decal-"AIRFLOW ARROW" .....	4	4	4	4	4	4

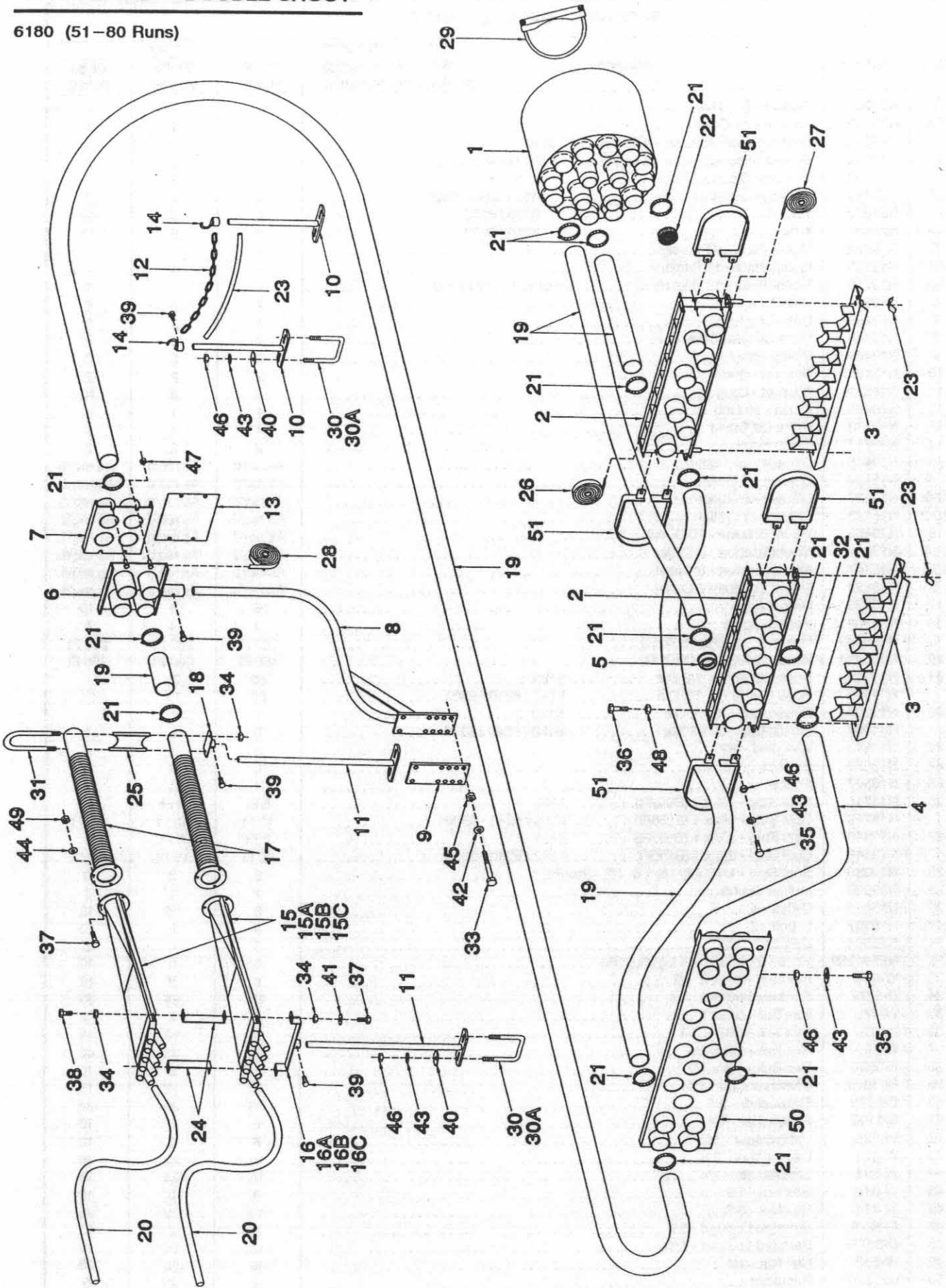


**TOW BEHIND - DOUBLE SHOOT**

Item	Part No.	Description	No.Used		
			21-30 RUNS	31-40 RUNS	41-50 RUNS
		6130 (21-40 Runs) 6180 (21-50 Runs) 6240 / 6300 (21-50 Runs)			
1	N19042	Plenum - 9 Outlet .....	1	-	-
1A	N19700	Plenum - 11 Outlet .....	-	1	1
2	N19510	Double Shoot Collector - 4 Outlet ..... 6130 .....	2	2	-
2A	N19712	Double Shoot Collector - 5 Outlet ..... 6180 / 6240 / 6300 .....	2	2	2
3	N19390	Collector Cleanout Door ..... 6130 .....	2	2	-
3A	N19789	Collector Cleanout Door ..... 6180 / 6240 / 6300 .....	2	2	2
4	N21679	Tube ..... 6130 / 6180 .....	6	8	10
4A	N21235	Tube ..... 6240 / 6300 .....	6	8	10
5	N19521	Mount Plate - 9 Primary .....	1	-	-
5A	N19522	Mount Plate - 11 Primary .....	-	1	-
5B	N19715	Mount Plate - 13 Primary ..... 6180 / 6240 / 6300 .....	-	-	1
6	N19395	Hose Coupler .....	2	2	3
7	N19398	Hose Coupler .....	2	2	3
8	N19410	Hose Coupler Base .....	2	2	3
9	N19409	Clamp Strap .....	2	2	3
10	N15105	Support - Short .....	2	2	2
11	N19531	Support - Long .....	6	8	10
12	N19448	Chain - 80 Link .....	1	1	1
13	N19573	Blank Off Cover .....	4	4	6
14	N19717	Chain Hook .....	2	2	2
15	N19405	Diffuser - 10 Outlet .....	As req'd	As req'd	As req'd
15A	N15136	Diffuser - 9 Outlet .....	As req'd	As req'd	As req'd
15B	N15137	Diffuser - 8 Outlet .....	As req'd	As req'd	As req'd
15C	N15123	Diffuser - 7 Outlet .....	As req'd	As req'd	As req'd
16	N19406	Mount Bracket - 10 Outlet .....	As req'd	As req'd	As req'd
16A	N15595	Mount Bracket - 9 Outlet .....	As req'd	As req'd	As req'd
16B	N15107	Mount Bracket - 8 Outlet .....	As req'd	As req'd	As req'd
16C	N15594	Mount Bracket - 7 Outlet .....	As req'd	As req'd	As req'd
17	N15135	Divider Pipe .....	6	8	10
18	N15102	Rear Support .....	3	4	5
19	R480029	Hose - 2 1/2 Dia (Bulk/Ft) .....	150 Ft	200 Ft	250 Ft
20	R480034	Hose - 1.169 OD (Bulk/Ft) .....	450 Ft	600 Ft	750 Ft
21	N11905	Hose Clamp - 2 1/2 Dia ..... 6130 .....	59	73	-
	N11905	Hose Clamp - 2 1/2 Dia ..... 6180 / 6240 / 6300 .....	63	77	91
22	N11907	Plastic Cap - 2 1/2 Dia ..... 6130 .....	5	1	-
	N11907	Plastic Cap - 2 1/2 Dia ..... 6180 / 6240 / 6300 .....	9	5	1
23	N11673	Wing Nut - 1/2 .....	4	4	4
24	N16689	Bracket .....	6	8	10
25	N16507	Spacer .....	3	4	5
26	N15716	Seal Strip - 1/4 x 1 (Bulk/Ft) ..... 6130 .....	8 Ft	8 Ft	-
	N15716	Seal Strip - 1/4 x 1 (Bulk/Ft) ..... 6180 / 6240 / 6300 .....	10 Ft	10 Ft	10 Ft
27	N19449	Seal Strip - 3/8 x 1 (Bulk/Ft) ..... 6130 .....	8 Ft	8 Ft	-
	N19449	Seal Strip - 3/8 x 1 (Bulk/Ft) ..... 6180 / 6240 / 6300 .....	10 Ft	10 Ft	10 Ft
28	N19030	Seal Strip - 1/16 x 6 1/2 x 6 1/2 (Bulk/Ft) .....	2	2	3
29	N15930	Muffler Clamp .....	1	1	1
30	N15098	U-Bolt - 4 .....	8	10	12
30A	N15097	U-Bolt - 2 .....	6	8	10
31	N16504	U-Bolt - 2 1/2 .....	3	4	5
32	N6200259	Hose - 2 1/2 Dia x 4 Lg (Bulk/Ft) .....	6	8	10
33	W-496	Hex Bolt - 1/2 x 5 1/2 .....	8	8	12
34	D-5277	Serrated Locknut - 1/4 .....	18	24	30
35	W-475	Hex Bolt - 3/8 x 1 .....	2	2	2
36	F-1767	Hex Bolt - 5/16 x 3/4 .....	16	16	16
37	W-469	Hex Bolt - 1/4 x 3/4 .....	24	32	40
38	K-3830	Hex Bolt - 1/4 x 1/2 .....	6	8	10
39	N24396	Setscrew - 1/4 x 3/8 .....	10	12	15
40	D-5579	Flatwasher - 3/8 .....	16	20	24
41	S-1198	Flatwasher - 1/4 .....	6	8	10
42	W-525	Lockwasher - 1/2 .....	8	8	12
43	W-523	Lockwasher - 3/8 .....	18	22	36
44	W-521	Lockwasher - 1/4 .....	18	24	30
45	W-516	Hex Nut - 1/2 .....	8	8	12
46	W-414	Hex Nut - 3/8 .....	18	22	36
47	D-5279	Serrated Locknut - 3/8 .....	8	8	12
48	D-5278	Serrated Locknut - 5/16 .....	16	16	16
49	W-512	Hex Nut - 1/4 .....	18	24	30
50	N25590	Restrictor .....	3	4	5
	N19000	Decal - "AIRFLOW ARROW" (Not Shown) .....	4	4	4

TOW BEHIND - DOUBLE SHOOT

6180 (51-80 Runs)



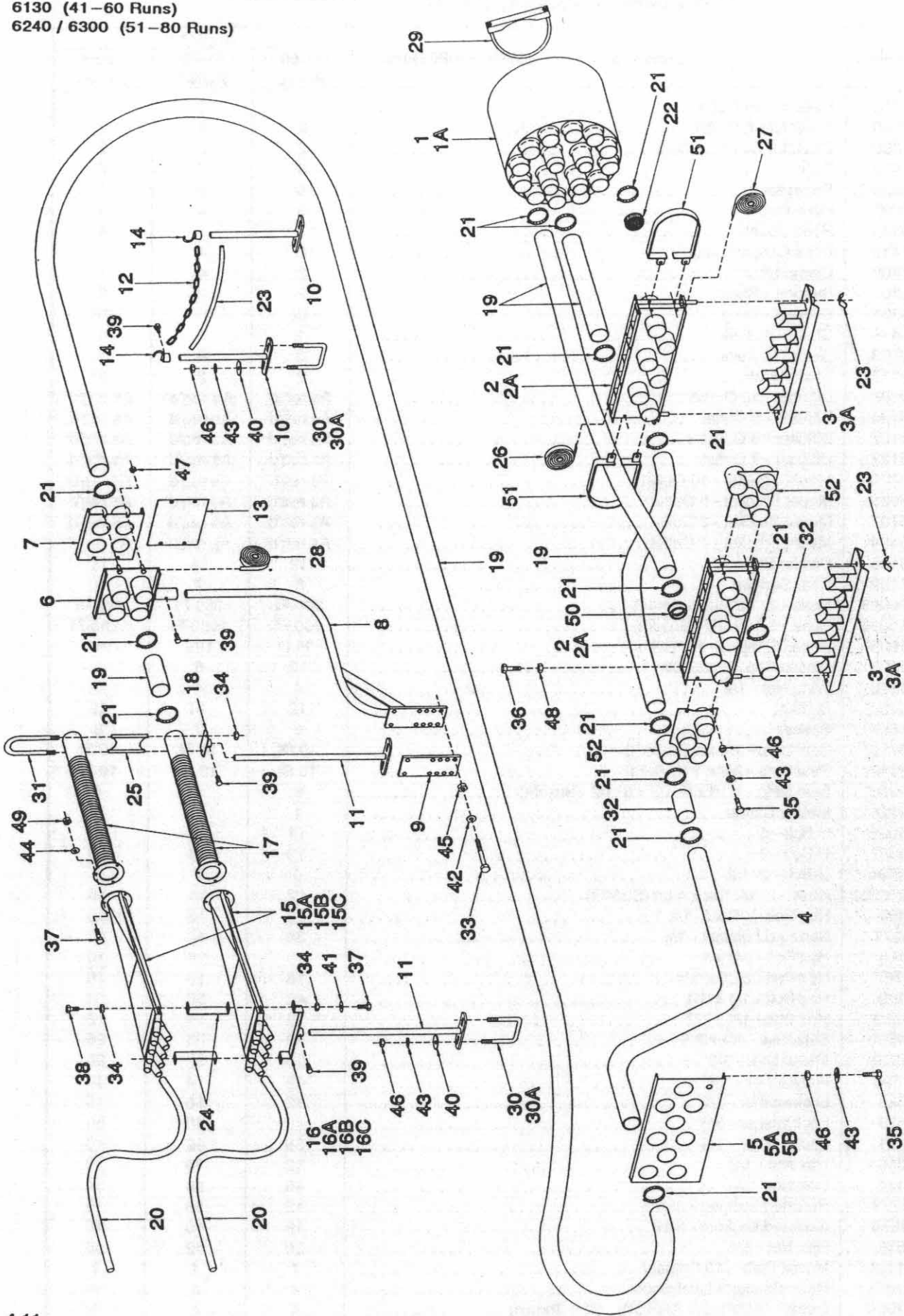
**TOW BEHIND - DOUBLE SHOOT**

Item	Part No.	Description	6180 (51-80 Runs)	No. Used		
				51-60 RUNS	61-70 RUNS	71-80 RUNS
1	N21763	Plenum - 16 Outlet .....		1	1	1
2	N19690	Collector - 8 Outlet .....		2	2	2
3	N19693	Collector Cleanout Door .....		2	2	2
4	N21679	Tube .....		6	7	8
5	N25590	Restrictor .....		6	7	8
6	N19395	Hose Coupler .....		3	4	4
7	N19398	Hose Coupler .....		3	4	4
8	N19410	Hose Coupler Base .....		3	4	4
9	N19409	Clamp Strap .....		3	4	4
10	N15105	Support - Short .....		2	2	2
11	N19531	Support - Long .....		12	14	16
12	N19448	Chain - 80 Link .....		1	1	1
13	N19573	Blank Off Cover .....		6	8	8
14	N19717	Chain Hook .....		2	2	2
15	N19405	Diffuser - 10 Outlet .....		As req'd	As req'd	As req'd
15A	N15136	Diffuser - 9 Outlet .....		As req'd	As req'd	As req'd
15B	N15137	Diffuser - 8 Outlet .....		As req'd	As req'd	As req'd
15C	N15123	Diffuser - 7 Outlet .....		As req'd	As req'd	As req'd
16	N19406	Mount Bracket - 10 Outlet .....		As req'd	As req'd	As req'd
16A	N15595	Mount Bracket - 9 Outlet .....		As req'd	As req'd	As req'd
16B	N15107	Mount Bracket - 8 Outlet .....		As req'd	As req'd	As req'd
16C	N15594	Mount Bracket - 7 Outlet .....		As req'd	As req'd	As req'd
17	N15135	Divider Pipe .....		12	14	16
18	N15102	Rear Support .....		6	7	8
19	R480029	Hose - 2 1/2 Dia (Bulk/Ft) .....		300 Ft	350 Ft	400 Ft
20	R480034	Hose - 1.169 OD (Bulk/Ft) .....		900 Ft	1050 Ft	1200 Ft
21	N11905	Hose Clamp - 2 1/2 Dia .....		111	128	145
22	N11907	Plastic Cap - 2 1/2 Dia .....		12	6	-
23	N11673	Wing Nut - 1/2 .....		4	4	4
24	N16689	Bracket .....		12	14	16
25	N16507	Spacer .....		6	7	8
26	N15716	Seal Strip - 1/4 x 1 (Bulk/Ft) .....		10 Ft	10 Ft	10 Ft
27	N19449	Seal Strip - 3/8 x 1 (Bulk/Ft) .....		10 Ft	10 Ft	10 Ft
28	N19030	Seal Strip - 1/16 x 6 1/2 x 6 1/2 (Bulk/Ft) .....		3	4	4
29	N15930	Muffler Clamp .....		1	1	1
30	N15098	U-Bolt - 4 .....		14	16	18
30A	N15097	U-Bolt - 2 .....		12	14	16
31	N16504	U-Bolt - 2 1/2 .....		6	7	8
32	N6200259	Hose - 2 1/2 Dia x 4 Lg (Bulk/Ft) .....		12	14	16
33	W-496	Hex Bolt - 1/2 x 5 1/2 .....		12	16	16
34	D-5277	Serrated Locknut - 1/4 .....		36	42	48
35	W-475	Hex Bolt - 3/8 x 1 .....		10	10	10
36	F-1767	Hex Bolt - 5/16 x 3/4 .....		16	16	16
37	W-469	Hex Bolt - 1/4 x 3/4 .....		48	56	64
38	K-3830	Hex Bolt - 1/4 x 1/2 .....		12	14	16
39	N24396	Setscrew - 1/4 x 3/8 .....		20	23	26
40	D-5579	Flatwasher - 3/8 .....		28	32	36
41	S-1198	Flatwasher - 1/4 .....		12	14	16
42	W-525	Lockwasher - 1/2 .....		12	16	16
43	W-523	Lockwasher - 3/8 .....		46	50	54
44	W-521	Lockwasher - 1/4 .....		36	42	48
45	W-516	Hex Nut - 1/2 .....		12	16	16
46	W-414	Hex Nut - 3/8 .....		46	50	54
47	D-5279	Serrated Locknut - 3/8 .....		12	16	16
48	D-5278	Serrated Locknut - 5/16 .....		16	16	16
49	W-512	Hex Nut - 1/4 .....		36	42	48
50	N21164	Mount Plate - 19 Primary .....		1	1	1
51	N21764	Hose Bracket - Dual Shoot .....		4	4	4
	N19000	Decal - "AIRFLOW ARROW" (Not Shown) .....		4	4	4

**TOW BEHIND - DOUBLE SHOOT**

6130 (41-60 Runs)

6240 / 6300 (51-80 Runs)



**TOW BEHIND - DOUBLE SHOOT**

Item	Part No.	Description	No.Used			
			41-50 RUNS	51-60 RUNS	61-70 RUNS	71-80 RUNS
1	N21763	Plenum - 16 Outlet	-	1	1	1
1A	N19700	Plenum - 11 Outlet	1	-	-	-
2	N19080	Collector - 6 Outlet	2	2	2	2
2A	N19690	Collector - 8 Outlet	-	2	2	2
3	N19289	Collector Cleanout Door	2	2	-	-
3A	N19693	Collector Cleanout Door	-	2	2	2
4	N21679	Tube	10	12	-	-
4A	N21235	Tube	-	12	14	16
5	N19521	Mount Plate - 9 Primary	1	-	-	-
5A	N19522	Mount Plate - 11 Primary	-	1	-	-
5B	N19715	Mount Plate - 13 Primary	-	-	1	1
6	N19395	Hose Coupler	3	3	4	4
7	N19398	Hose Coupler	3	3	4	4
8	N19410	Hose Coupler Base	3	3	4	4
9	N19409	Clamp Strap	3	3	4	4
10	N15105	Support - Short	2	2	2	2
11	N19531	Support - Long	10	12	14	16
12	N19448	Chain - 80 Link	1	1	1	1
13	N19573	Blank Off Cover	6	6	8	8
14	N19717	Chain Hook	2	2	2	2
15	N19405	Diffuser - 10 Outlet	As req'd	As req'd	As req'd	As req'd
15A	N15136	Diffuser - 9 Outlet	As req'd	As req'd	As req'd	As req'd
15B	N15137	Diffuser - 8 Outlet	As req'd	As req'd	As req'd	As req'd
15C	N15123	Diffuser - 7 Outlet	As req'd	As req'd	As req'd	As req'd
16	N19406	Mount Bracket - 10 Outlet	As req'd	As req'd	As req'd	As req'd
16A	N15595	Mount Bracket - 9 Outlet	As req'd	As req'd	As req'd	As req'd
16B	N15107	Mount Bracket - 8 Outlet	As req'd	As req'd	As req'd	As req'd
16C	N15594	Mount Bracket - 7 Outlet	As req'd	As req'd	As req'd	As req'd
17	N15135	Divider Pipe	10	12	14	16
18	N15102	Rear Support	5	6	7	8
19	R480029	Hose - 2 1/2 Dia (Bulk/Ft)	250 Ft	300 Ft	350 Ft	400 Ft
20	R480034	Hose - 1.169 OD (Bulk/Ft)	750 Ft	900 Ft	1050 Ft	1200 Ft
21	N11905	Hose Clamp - 2 1/2 Dia	95	112	-	-
	N11905	Hose Clamp - 2 1/2 Dia	-	120	132	144
22	N11907	Plastic Cap - 2 1/2 Dia	5	4	-	-
	N11907	Plastic Cap - 2 1/2 Dia	-	12	6	-
23	N11673	Wing Nut - 1/2	4	4	4	4
24	N16689	Bracket	10	12	14	16
25	N16507	Spacer	5	6	7	8
26	N15716	Seal Strip - 1/4 x 1 (Bulk/Ft)	8 Ft	8 Ft	-	-
	N15716	Seal Strip - 1/4 x 1 (Bulk/Ft)	-	10 Ft	10 Ft	10 Ft
27	N19449	Seal Strip - 3/8 x 1 (Bulk/Ft)	8 Ft	8 Ft	-	-
	N19449	Seal Strip - 3/8 x 1 (Bulk/Ft)	-	10 Ft	10 Ft	10 Ft
28	N19030	Seal Strip - 1/16 x 6 1/2 x 6 1/2 (Bulk/Ft)	3	3	4	4
29	N15930	Muffler Clamp	1	1	1	1
30	N15098	U-Bolt - 4	12	14	16	18
30A	N15097	U-Bolt - 2	10	12	14	16
31	N16504	U-Bolt - 2 1/2	5	6	7	8
32	N6200259	Hose - 2 1/2 Dia x 4 Lg (Bulk/Ft)	10	12	14	16
33	W-496	Hex Bolt - 1/2 x 5 1/2	12	12	16	16
34	D-5277	Serrated Locknut - 1/4	30	36	42	48
35	W-475	Hex Bolt - 3/8 x 1	10	10	10	10
36	F-1767	Hex Bolt - 5/16 x 3/4	16	16	16	16
37	W-469	Hex Bolt - 1/4 x 3/4	40	48	56	64
38	K-3830	Hex Bolt - 1/4 x 1/2	10	12	14	16
39	N24396	Setscrew - 1/4 x 3/8	15	17	20	22
40	D-5579	Flatwasher - 3/8	24	28	32	36
41	S-1198	Flatwasher - 1/4	10	12	14	16
42	W-525	Lockwasher - 1/2	12	12	16	16
43	W-523	Lockwasher - 3/8	44	48	52	56
44	W-521	Lockwasher - 1/4	30	36	42	48
45	W-516	Hex Nut - 1/2	12	12	16	16
46	W-414	Hex Nut - 3/8	44	48	52	56
47	D-5279	Serrated Locknut - 3/8	12	12	16	16
48	D-5278	Serrated Locknut - 5/16	16	16	16	16
49	W-512	Hex Nut - 1/4	30	36	42	48
50	N25590	Restrictor	5	6	7	8
51	N21764	Hose Bracket - Dual Shoot	2	2	2	2
52	N21765	Tube Bracket - Dual Shoot	2	2	2	2
	N19000	Decal - "AIRFLOW ARROW" (Not Shown)	4	4	4	4

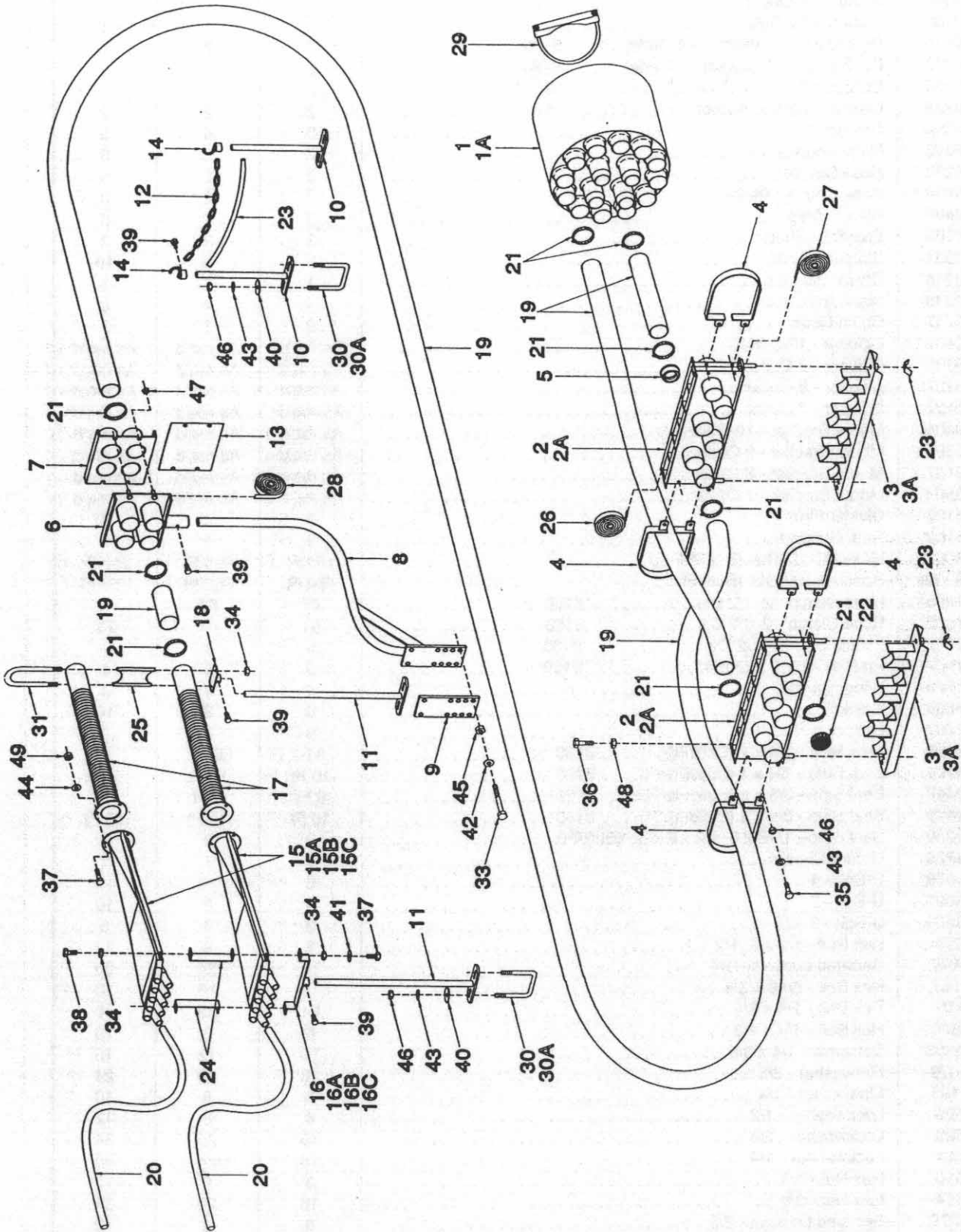


**TOW BETWEEN - DOUBLE SHOOT**

Item	Part No.	Description	No.Used			
			6130 (21-40 Runs) 6180 (21-50 Runs)	21-30 RUNS	31-40 RUNS	41-50 RUNS
1	N19042	Plenum - 9 Outlet		1	-	-
1A	N19700	Plenum - 11 Outlet		-	1	1
2	N19510	Double Shoot Collector - 4 Outlet	6130	2	2	-
2A	N19712	Double Shoot Collector - 5 Outlet	6180	2	2	2
3	N19390	Collector Cleanout Door	6130	2	2	-
3A	N19789	Collector Cleanout Door	6180	2	2	2
5	N25590	Restrictor		3	4	5
6	N19395	Hose Coupler		2	2	3
7	N19398	Hose Coupler		2	2	3
8	N19410	Hose Coupler Base		2	2	3
9	N19409	Clamp Strap		2	2	3
10	N15105	Support - Short		2	2	2
11	N19531	Support - Long		6	8	10
12	N19448	Chain - 80 Link		1	1	1
13	N19573	Blank Off Cover		4	4	6
14	N19717	Chain Hook		2	2	2
15	N19405	Diffuser - 10 Outlet		As req'd	As req'd	As req'd
15A	N15136	Diffuser - 9 Outlet		As req'd	As req'd	As req'd
15B	N15137	Diffuser - 8 Outlet		As req'd	As req'd	As req'd
15C	N15123	Diffuser - 7 Outlet		As req'd	As req'd	As req'd
16	N19406	Mount Bracket - 10 Outlet		As req'd	As req'd	As req'd
16A	N15595	Mount Bracket - 9 Outlet		As req'd	As req'd	As req'd
16B	N15107	Mount Bracket - 8 Outlet		As req'd	As req'd	As req'd
16C	N15594	Mount Bracket - 7 Outlet		As req'd	As req'd	As req'd
17	N15135	Divider Pipe		6	8	10
18	N15102	Rear Support		3	4	5
19	R480029	Hose - 2 1/2 Dia (Bulk/Ft)		150 Ft	200 Ft	250 Ft
20	R480034	Hose - 1.169 OD (Bulk/Ft)		450 Ft	600 Ft	750 Ft
21	N11905	Hose Clamp - 2 1/2 Dia	6130	47	57	-
	N11905	Hose Clamp - 2 1/2 Dia	6180	51	61	71
22	N11907	Plastic Cap - 2 1/2 Dia	6130	5	1	-
	N11907	Plastic Cap - 2 1/2 Dia	6180	9	5	1
23	N11673	Wing Nut - 1/2		4	4	4
24	N16689	Bracket		6	8	10
25	N16507	Spacer		3	4	5
26	N15716	Seal Strip - 1/4 x 1 (Bulk/Ft)	6130	8 Ft	8 Ft	-
	N15716	Seal Strip - 1/4 x 1 (Bulk/Ft)	6180	10 Ft	10 Ft	10 Ft
27	N19449	Seal Strip - 3/8 x 1 (Bulk/Ft)	6130	8 Ft	8 Ft	-
	N19449	Seal Strip - 3/8 x 1 (Bulk/Ft)	6180	10 Ft	10 Ft	10 Ft
28	N19030	Seal Strip - 1/16 x 6 1/2 x 6 1/2 (Bulk/Ft)		2	2	3
29	N15930	Muffler Clamp		1	1	1
30	N15098	U-Bolt - 4		8	10	12
30A	N15097	U-Bolt - 2		6	8	10
31	N16504	U-Bolt - 2 1/2		3	4	5
33	W-496	Hex Bolt - 1/2 x 5 1/2		8	8	12
34	D-5277	Serrated Locknut - 1/4		18	24	30
36	F-1767	Hex Bolt - 5/16 x 3/4		16	16	16
37	W-469	Hex Bolt - 1/4 x 3/4		24	32	40
38	K-3830	Hex Bolt - 1/4 x 1/2		6	8	10
39	N24396	Setscrew - 1/4 x 3/8		10	12	15
40	D-5579	Flatwasher - 3/8		16	20	24
41	S-1198	Flatwasher - 1/4		6	8	10
42	W-525	Lockwasher - 1/2		8	8	12
43	W-523	Lockwasher - 3/8		16	20	34
44	W-521	Lockwasher - 1/4		18	24	30
45	W-516	Hex Nut - 1/2		8	8	12
46	W-414	Hex Nut - 3/8		16	20	34
47	D-5279	Serrated Locknut - 3/8		8	8	12
48	D-5278	Serrated Locknut - 5/16		16	16	16
49	W-512	Hex Nut - 1/4		18	24	30
	N19000	Decal - "AIRFLOW ARROW" (Not Shown)		4	4	4

**TOW BETWEEN - DOUBLE SHOOT**

6130 (21-40 Runs)  
6180 (21-50 Runs)

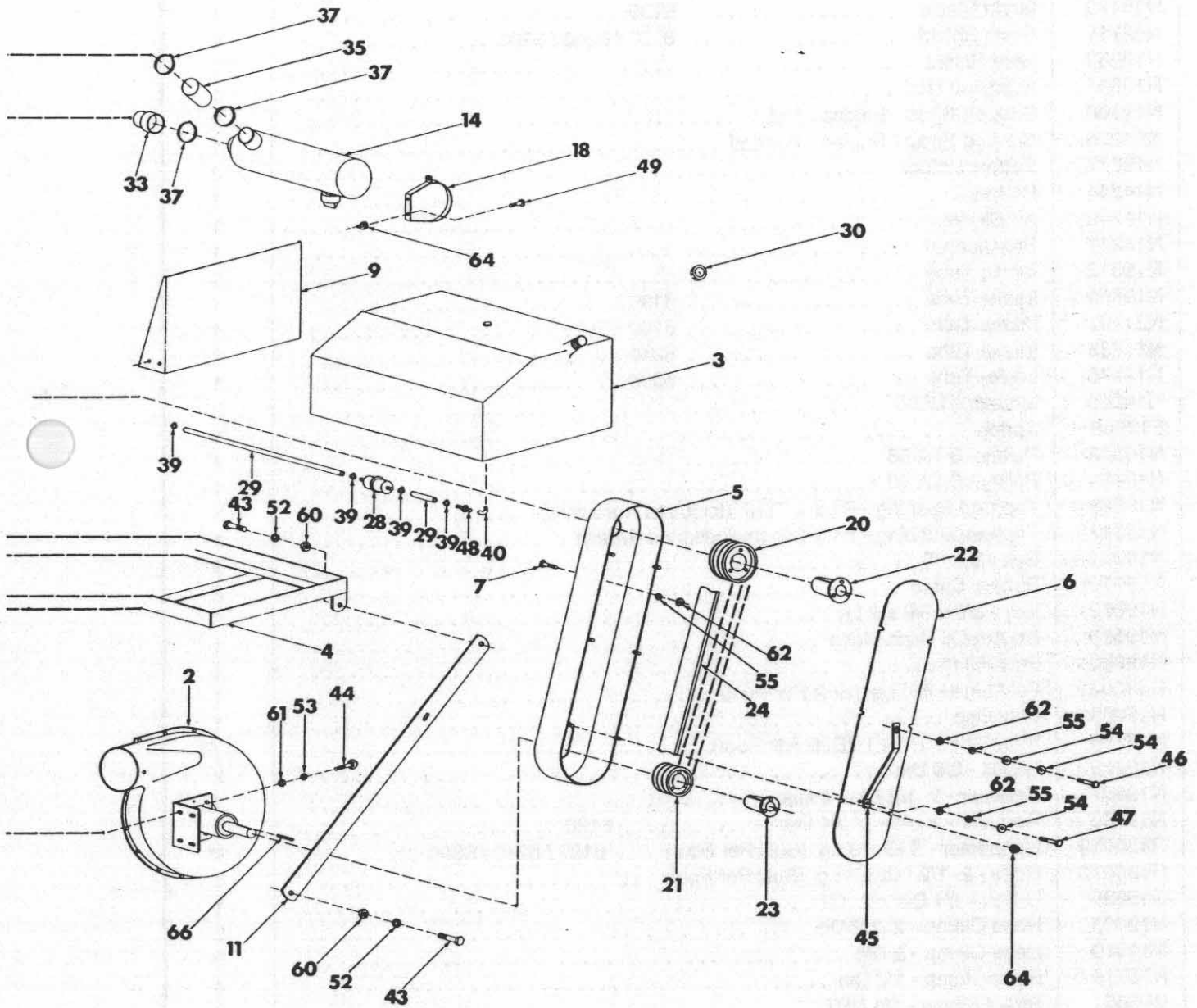


**TOW BETWEEN - DOUBLE SHOOT**

Item	Part No.	Description	6130 (41-60 Runs) 6180 (51-80 Runs)	No.Used			
				41-50 RUNS	51-60 RUNS	61-70 RUNS	71-80 RUNS
1	N21763	Plenum - 16 Outlet		-	1	1	1
1A	N19700	Plenum - 11 Outlet		1	-	-	-
2	N19080	Collector - 6 Outlet	6130	2	2	-	-
2A	N19690	Collector - 8 Outlet	6130	-	2	2	2
3	N19289	Collector Cleanout Door	6130	2	2	-	-
3A	N19693	Collector Cleanout Door	6180	-	2	2	2
4	N21764	Hose Bracket - Dual Shoot		4	4	4	4
5	N25590	Restrictor		5	6	7	8
6	N19395	Hose Coupler		3	3	4	4
7	N19398	Hose Coupler		3	3	4	4
8	N19410	Hose Coupler Base		3	3	4	4
9	N19409	Clamp Strap		3	3	4	4
10	N15105	Support - Short		2	2	2	2
11	N19531	Support - Long		10	12	14	16
12	N19448	Chain - 80 Link		1	1	1	1
13	N19573	Blank Off Cover		6	6	8	8
14	N19717	Chain Hook		2	2	2	2
15	N19405	Diffuser - 10 Outlet		As req'd	As req'd	As req'd	As req'd
15A	N15136	Diffuser - 9 Outlet		As req'd	As req'd	As req'd	As req'd
15B	N15137	Diffuser - 8 Outlet		As req'd	As req'd	As req'd	As req'd
15C	N15123	Diffuser - 7 Outlet		As req'd	As req'd	As req'd	As req'd
16	N19406	Mount Bracket - 10 Outlet		As req'd	As req'd	As req'd	As req'd
16A	N15595	Mount Bracket - 9 Outlet		As req'd	As req'd	As req'd	As req'd
16B	N15107	Mount Bracket - 8 Outlet		As req'd	As req'd	As req'd	As req'd
16C	N15594	Mount Bracket - 7 Outlet		As req'd	As req'd	As req'd	As req'd
17	N15135	Divider Pipe		10	12	14	16
18	N15102	Rear Support		5	6	7	8
19	R480029	Hose - 2 1/2 Dia (Bulk/Ft)		250 Ft	300 Ft	350 Ft	400 Ft
20	R480034	Hose - 1.169 OD (Bulk/Ft)		750 Ft	900 Ft	1050 Ft	1200 Ft
21	N11905	Hose Clamp - 2 1/2 Dia	6130	71	76	-	-
	N11905	Hose Clamp - 2 1/2 Dia	6180	-	84	90	96
22	N11907	Plastic Cap - 2 1/2 Dia	6130	5	4	-	-
	N11907	Plastic Cap - 2 1/2 Dia	6180	-	12	6	-
23	N11673	Wing Nut - 1/2		4	4	4	4
24	N16689	Bracket		10	12	14	16
25	N16507	Spacer		5	6	7	8
26	N15716	Seal Strip - 1/4 x 1 (Bulk/Ft)	6130	8 Ft	8 Ft	-	-
	N15716	Seal Strip - 1/4 x 1 (Bulk/Ft)	6180	-	10 Ft	10 Ft	10 Ft
27	N19449	Seal Strip - 3/8 x 1 (Bulk/Ft)	6130	8 Ft	8 Ft	-	-
	N19449	Seal Strip - 3/8 x 1 (Bulk/Ft)	6180	-	10 Ft	10 Ft	10 Ft
28	N19030	Seal Strip - 1/16 x 6 1/2 x 6 1/2 (Bulk/Ft)		3	3	4	4
29	N15930	Muffler Clamp		1	1	1	1
30	N15098	U-Bolt - 4		12	14	16	18
30A	N15097	U-Bolt - 2		10	12	14	16
31	N16504	U-Bolt - 2 1/2		5	6	7	8
33	W-496	Hex Bolt - 1/2 x 5 1/2		12	12	16	16
34	D-5277	Serrated Locknut - 1/4		30	36	42	48
36	F-1767	Hex Bolt - 5/16 x 3/4		16	16	16	16
37	W-469	Hex Bolt - 1/4 x 3/4		40	48	56	64
38	K-3830	Hex Bolt - 1/4 x 1/2		10	12	14	16
39	N24396	Setscrew - 1/4 x 3/8		17	20	23	26
40	D-5579	Flatwasher - 3/8		24	28	32	36
41	S-1198	Flatwasher - 1/4		10	12	14	16
42	W-525	Lockwasher - 1/2		12	12	16	16
43	W-523	Lockwasher - 3/8		34	38	42	46
44	W-521	Lockwasher - 1/4		30	36	42	48
45	W-516	Hex Nut - 1/2		12	12	16	16
46	W-414	Hex Nut - 3/8		34	38	42	46
47	D-5279	Serrated Locknut - 3/8		12	12	16	16
48	D-5278	Serrated Locknut - 5/16		16	16	16	16
49	W-512	Hex Nut - 1/4		30	36	42	48
	N19000	Decal - "AIRFLOW ARROW" (Not Shown)		4	4	4	4



# ENGINE FAN DRIVE ASSEMBLY



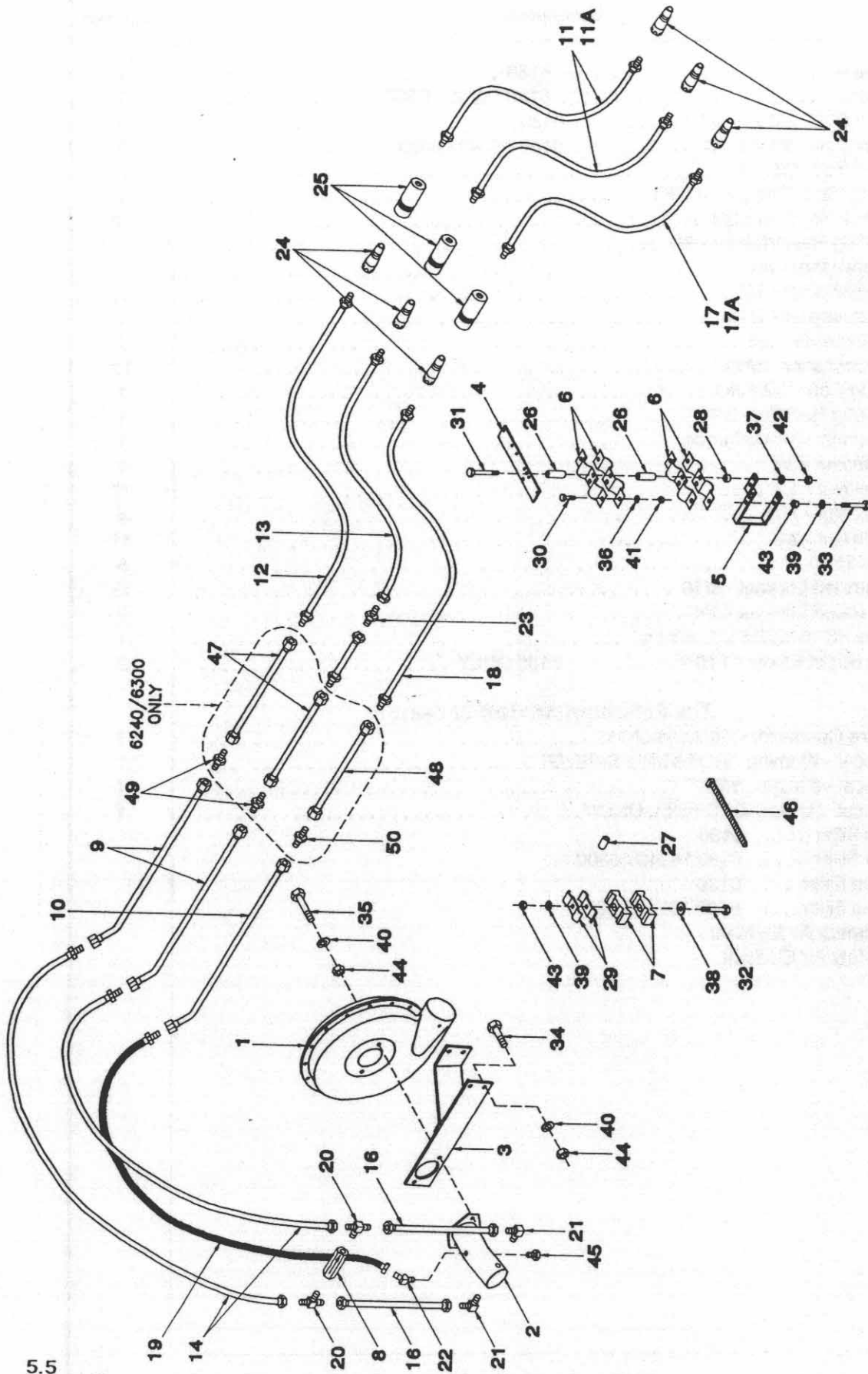
## ENGINE FAN DRIVE ASSEMBLY

Item	Part No.	Description	No.Used
1	N19350	Engine - Kohler - 20 HP M20 Magnum Series . . . . 6130 . . . . .	1
	N21336	Engine - Onan 24 HP P-224 Performer Series . . . . 6180 / 6240 / 6300 . . . .	1
2	N19369	Fan (See pg. 7.1) . . . . .	1
3	N15410	Fuel Tank c/w Fuel Cap . . . . .	1
4	N19295	Engine Mount . . . . .	1
5	N19375	Belt Guard . . . . . 6130 . . . . .	1
	N21396	Belt Guard . . . . . 6180 / 6240 / 6300 . . . . .	1
6	N19380	Belt Guard Cover . . . . .	1
7	N19327	Fan Mount . . . . .	1
8	N19479	Grain Shield . . . . . 6130 . . . . .	1
	N22711	Grain Shield . . . . . 6180 / 6240 / 6300 . . . . .	1
9	N19388	Heat Shield . . . . .	1
10	N19334	Adjusting Rod . . . . .	1
11	N19308	Support Strap - Engine - Flat . . . . .	2
11A	N24958	Support Strap - Engine - Formed . . . . .	1
12	N19677	Battery Holder . . . . .	2
13	N14244	Battery . . . . .	1
14	N14249	Air Cleaner . . . . .	1
15	N14247	Pre Cleaner . . . . .	1
16	N19312	Intake Tube . . . . .	1
17	N19659	Intake Tube . . . . . 6130 . . . . .	1
	N21407	Intake Tube . . . . . 6180 . . . . .	1
	N21753	Intake Tube . . . . . 6240 . . . . .	1
	N19476	Intake Tube . . . . . 6300 . . . . .	1
18	N14248	Mounting Band . . . . .	2
19	F12968	Spring . . . . .	1
20	N19316	Pulley - 3 TA 56 . . . . .	1
21	N16634	Pulley - 3 TA 40 . . . . .	1
22	N19318	Tapered Bushing - P1 x 1 7/16 (Includes Hardware) . . . . .	1
23	N19317	Tapered Bushing - P1 x 7/8 (Includes Hardware) . . . . .	1
24	N19314	Belt - 3 A 68 . . . . .	1
25	N15010	Battery Cable . . . . .	2
26	N19072	Key - 3/8 x 3/8 x 2 Lg . . . . .	1
27	N19520	Engine Oil Drain Hose . . . . .	1
28	N19660	Fuel Filter . . . . .	1
29	R480031	Fuel Line - 46" Lg (Bulk Per Foot) . . . . .	1
30	N15053	Fuel Cap . . . . .	1
31	N15716	Seal Strip - 1/4 x 1 (Bulk Per Foot) . . . . .	4 Ft
32	N19723	U-Bolt - 3/8 Dia . . . . .	2
33	N19007	Reducer - 2 1/2 Dia - 2 Dia . . . . .	1
34	N19008	Reducer - 2 Dia - 1 3/4 Dia . . . . . 6130 . . . . .	1
	R480069	Connector - 2 ID x 3 Lg (Bulk Per Foot) . . . . 6180 / 6240 / 6300 . . . . .	3"
35	R480070	Hose - 2 1/2 Dia x 3 Lg (Bulk Per Foot) . . . . .	1
36	N15096	U-Bolt - 1/4 Dia x 2 1/2 . . . . .	1
37	N19009	Hose Clamp - 2 1/2 Dia . . . . .	3
38	N19010	Hose Clamp - 2 Dia . . . . .	3
39	N15715	Hose Clamp - 1/2 Dia . . . . .	4
40	W-565	Street Elbow - 1/4 NPT . . . . .	1
41	D-5064	Bushing- 3/4 OD x 5/8 Lg . . . . .	2
42	W-488	Hex Bolt - 1/2 x 2 . . . . .	2
43	S-776	Hex Bolt - 1/2 x 1 1/2 . . . . .	8
44	D13320	Carriage Bolt - 7/16 x 1 1/4 . . . . .	4

### ENGINE FAN DRIVE ASSEMBLY (continued ...)

Item	Part No.	Description	No.Used
45	N19379	Brace ..... 6130 .....	1
	N21403	Brace ..... 6180 / 6240 / 6300 .....	1
46	W-187	Hex Bolt - 3/8 x 1 1/4 ..... 6130 .....	5
	W-477	Hex Bolt - 3/8 x 1 1/2 ..... 6180 / 6240 / 6300 .....	5
47	W-475	Hex Bolt - 3/8 x 1 .....	3
48	N15018	Male Barb Fitting - 1/4 NPT .....	1
49	F-1767	Hex Bolt - 5/16 x 3/4 .....	12
50	C12375	Spring Rest Washer - 3/4 .....	1
51	W-541	Flatwasher - 3/4 .....	1
52	W-525	Lockwasher - 1/2 .....	10
53	W-524	Lockwasher - 7/16 .....	4
54	D-5489	Flatwasher - 3/8 .....	7
55	W-523	Lockwasher - 3/8 .....	12
56	D10820	Plug Cap - 1/2 FJIC .....	1
57	C12376	Spring Rod Nut - 3/4 .....	1
58	D-5275	Locknut - 3/4 Unitorque .....	1
59	W-575	Jam Nut - 3/4 .....	1
60	W-516	Hex Nut - 1/2 .....	10
61	W-515	Hex Nut - 7/16 .....	4
62	W-514	Hex Nut - 3/8 .....	11
63	D-4838	Tie Strap .....	5
64	D-5278	Serrated Locknut - 5/16 .....	18
65	D-5277	Serrated Locknut - 1/4 .....	2
66	N19084	Key - 3/16 x 3/16 x 1 1/4 Lg .....	1
67	N21633	90 Street Elbow - 1 NPT ..... 6130 ONLY .....	2
<b>The Following Are Not Shown:</b>			
	N19002	Wire Connector - Package of 3 .....	1
	N19019	Decal - Warning "ROTATING SHIELD" .....	1
	N19023	Decal - Danger "HOT" .....	1
	N21170	Decal - "UNLEADED FUEL ONLY" .....	1
	N19280	Oil Filter ..... 6130	
	N21408	Oil Filter ..... 6180 / 6240 / 6300	
	N19282	Gas Filter ..... 6130	
	N21409	Gas Filter ..... 6180 / 6240 / 6300	
	N15956	Primary Air Element	
	N15957	Safety Air Element	

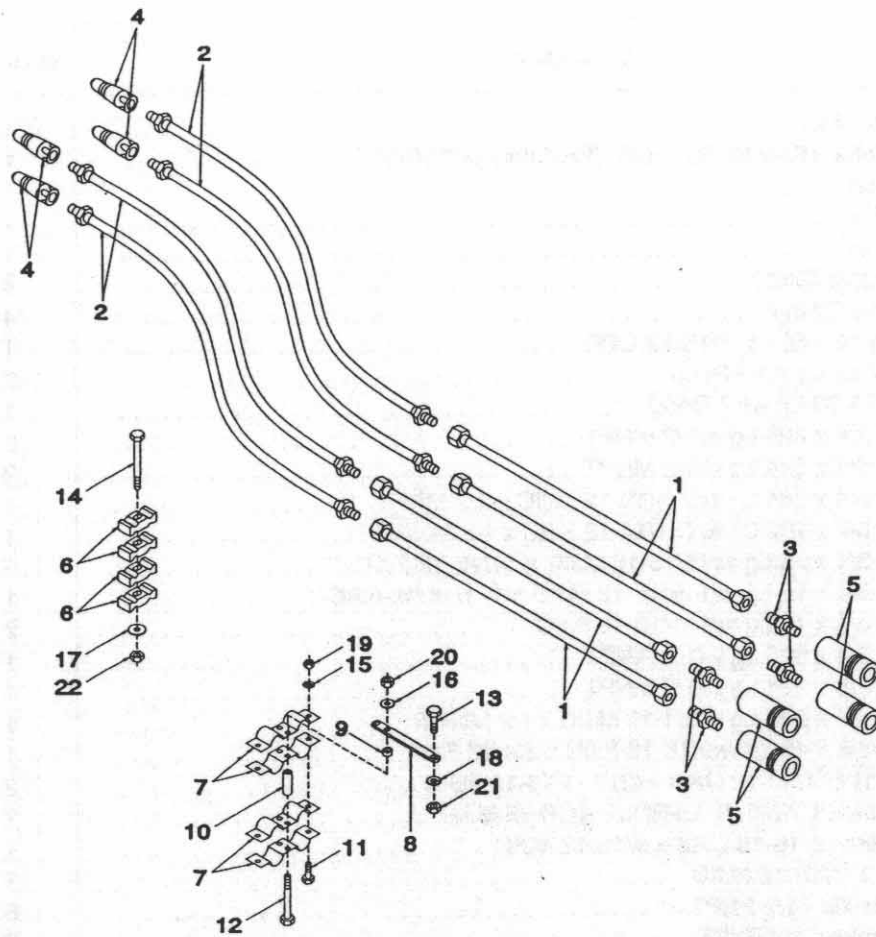
# TOW BEHIND HYDRAULIC FAN DRIVE ASSEMBLY



## TOW BEHIND HYDRAULIC FAN DRIVE ASSEMBLY

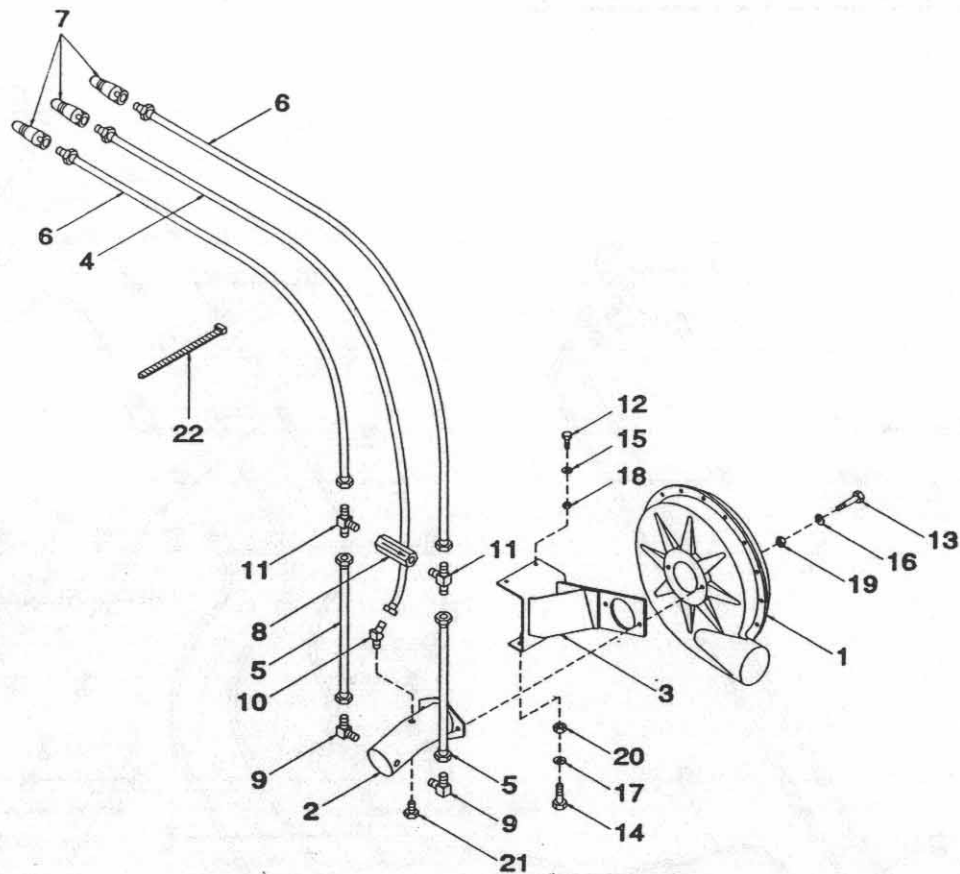
Item	Part No.	Description	No.Used
1	N16263	Fan (See Pg. 7.2)	1
2	N16265	Hydraulic Motor (Seal Kit N25508) (Seal only N25507)	1
3	N19357	Mount Bracket	1
4	N21690	Mount Bracket	1
5	N21691	Mount Bracket	1
6	N16608	Pioneer Coupler Clamp	4
7	C-4698	Nylon Oil Line Clamp	4
8	N16399	Check Valve - 3 PSI - 1 1/16-12 ORB	1
9	N19335	Oil Line - 1 x 92 Lg w/45 Bend	2
10	N19523	Oil Line - 1/2 x 96 Lg w/45 Bend	1
11	N19442	Hyd. Hose - 3/4 x 396 Lg w/1/2 MNPT	2
11A	N19452	Hyd. Hose - 3/4 x 324 Lg w/1/2 MNPT	2
12	N19344	Hyd. Hose - 3/4 x 204 Lg w/1 5/16-12 MJIC x 1/2 MNPT	1
13	N19343	Hyd. Hose - 3/4 x 192 Lg w/1 1/16-12 FJIC x 1/2 MNPT	1
14	N19434	Hyd. Hose - 3/4 x 35 Lg w/15/16-12 MJIC x 11/16-12 FJIC	2
15	N19342	Hyd. Hose - 3/4 x 12 Lg w/1 5/16-12 MJIC x 1 1/16-12 FJIC	1
16	N15991	Hyd. Hose - 3/4 x 12 Lg w/1 1/16-12 FJIC	2
17	N19443	Hyd. Hose - 3/8 x 396 Lg w/1/2 MNPT	1
17A	N19451	Hyd. Hose - 3/8 x 324 Lg w/1/2 MNPT	1
18	N19346	Hyd. Hose - 3/8 x 204 Lg w/3/4-16 MJIC x 1/2 MNPT	1
19	N19475	Hyd. Hose - 3/8 x 48 Lg w/9/16-18 FJIC x 3/4-16 FJIC	1
20	N16388	Male Tee - (1) 1 1/16-12 ORB x (2) 1 1/16-12 MJIC	2
21	N16359	90 Male Elbow - 1 1/16-12 ORB x 1 1/16-12 MJIC	2
22	N19578	45 Male Elbow - 9/16-18 ORB x 9/16-18 MJIC	1
23	N19348	Connector - 1 1/16-12 MJIC	1
24	C-817	Male Pioneer Tip - 1/2 FNPT	6
25	C-818	Pioneer Coupler - 1/2 FNPT	3
26	N19458	Spacer	4
27	N21632	Oil Line Spacer	1
28	N13901	Bushing - 5/8 OD x 3/8 ID x 3/8 Lg	2
29	D-4808	Oil Line Clamp	4
30	W-469	Hex Bolt - 1/4 x 3/4	4
31	S13337	Hex Bolt - 5/16 x 6	2
32	D-5249	Hex Bolt - 3/8 x 3 1/4	2
33	C-3918	Hex Bolt - 3/8 x 5	1
34	S-776	Hex Bolt - 1/2 x 1 1/2	4
35	W-489	Hex Bolt - 1/2 x 2 1/4	2
36	W-521	Lockwasher - 1/4	4
37	W-522	Lockwasher - 5/16	2
38	W-538	Flatwasher - 3/8	2
39	W-523	Lockwasher - 3/8	3
40	W-525	Lockwasher - 1/2	6
41	W-512	Hex Nut - 1/4	4
42	W-513	Hex Nut - 5/16	2
43	W-514	Hex Nut - 3/8	3
44	W-516	Hex Nut - 1/2	6
45	N16621	Plug - 9/16-18 ORB	1
46	D-4838	Tie Strap	10
47	N21720	Oil Line - 1 x 62 Lg 6240 / 6300 ONLY	2
48	N21719	Oil Line - 1/2 x 62 Lg 6240 / 6300 ONLY	1
49	N16346	Connector - 1 5/16-12 MJIC 6240 / 6300 ONLY	2
50	N25754	Connector - 3/4-16 MJIC 6240 / 6300 ONLY	1
	N19023	Decal - Danger "HOT" (Not Shown)	1

# TOW BETWEEN STANDARD HYDRAULICS



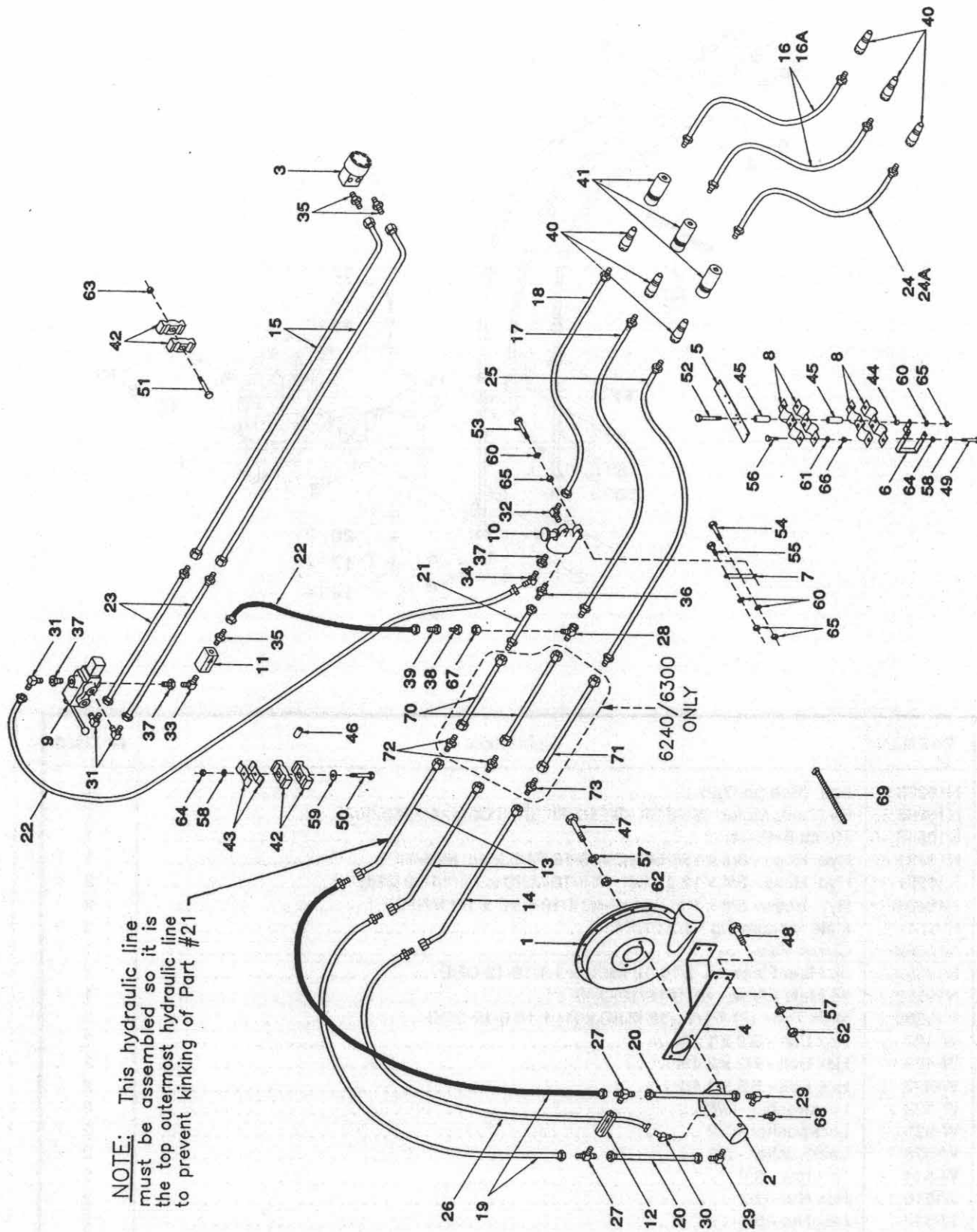
Item	Part No.	Description	No.Used
1	C-4368	Oil Line - 5/8 x 88 Lg .....	4
2	N19548	Hyd. Hose - 1/2 x 132 Lg w/7/8-14 MJIC x 1/2 MNPT .....	4
3	C-4399	Male Adapter w/7/8-14 MJIC x 1/2 MNPT .....	4
4	C-817	Male Pioneer Tip - 1/2 FNPT .....	4
5	C-818	Pioneer Coupler - 1/2 FNPT .....	4
6	C-4698	Nylon Oil Line Clamp .....	4
7	N16608	Pioneer Coupler Clamp .....	4
8	N19560	Bar Strap .....	1
9	N13901	Bushing - 5/8 OD x 3/8 ID x 3/8 Lg .....	2
10	N19458	Spacer - 2" .....	2
11	W-469	Hex Bolt - 1/4 x 3/4 .....	4
12	N28332	Hex Bolt - 5/16 x 3 1/2 .....	2
13	W-475	Hex Bolt - 3/8 x 1 .....	1
14	C-1550	Hex Bolt - 3/8 x 4 .....	1
15	W-521	Lockwasher - 1/4 .....	4
16	W-522	Lockwasher - 5/16 .....	2
17	W-538	Flatwasher - 3/8 .....	1
18	W-523	Lockwasher - 3/8 .....	1
19	W-512	Hex Nut - 1/4 .....	4
20	W-513	Hex Nut - 5/16 .....	2
21	W-514	Hex Nut - 3/8 .....	1
22	M-3388	Locknut - 3/8 Unitorque .....	1

## TOW BETWEEN HYDRAULIC FAN DRIVE ASSEMBLY



Item	Part No.	Description	No.Used
1	N16263	Fan (See pg. 7.2)	1
2	N16265	Hydraulic Motor (Seal Kit - N25508) (Seal Only - N25507)	1
3	N19546	Mount Bracket	1
4	N16181	Hyd. Hose - 3/8 x 156 LG w/9/16-18 FJIC x 1/2 MNPT	1
5	N15991	Hyd. Hose - 3/4 x 12 Lg w/1 1/16-12 MJIC x 1 1/16-12 ORB	2
6	N16454	Hyd. Hose - 3/4 x 130 Lg w/1 1/16-12 FJIC x 1/2 MNPT	2
7	C-817	Male Pioneer Tip - 1/2 FNPT	3
8	N16399	Check Valve	1
9	N16359	90 Male Elbow - 1 1/16-12 MJIC x 1 1/16-12 ORB	2
10	N19578	45 Male Elbow - (2) 9/16-18 ORB	1
11	N16388	Male Tee - (2) 1 1/16-12 MJIC x (1) 1 1/16-12 ORB	2
12	W-187	Hex Bolt - 3/8 x 1 1/4	2
13	W-489	Hex Bolt - 1/2 x 2 1/4	2
14	W-497	Hex Bolt - 5/8 x 1 1/2	2
15	W-523	Lockwasher - 3/8	2
16	W-525	Lockwasher - 1/2	2
17	W-526	Lockwasher - 5/8	2
18	W-514	Hex Nut - 3/8	2
19	W-516	Hex Nut - 1/2	2
20	W-517	Hex Nut - 5/8	2
21	N16621	Plug - 9/16-18 ORB	1
22	D-4838	Nylon Tie Strap (black) - 14 1/2 Lg	4
	N19023	Decal - Danger "HOT" (Not Shown)	1

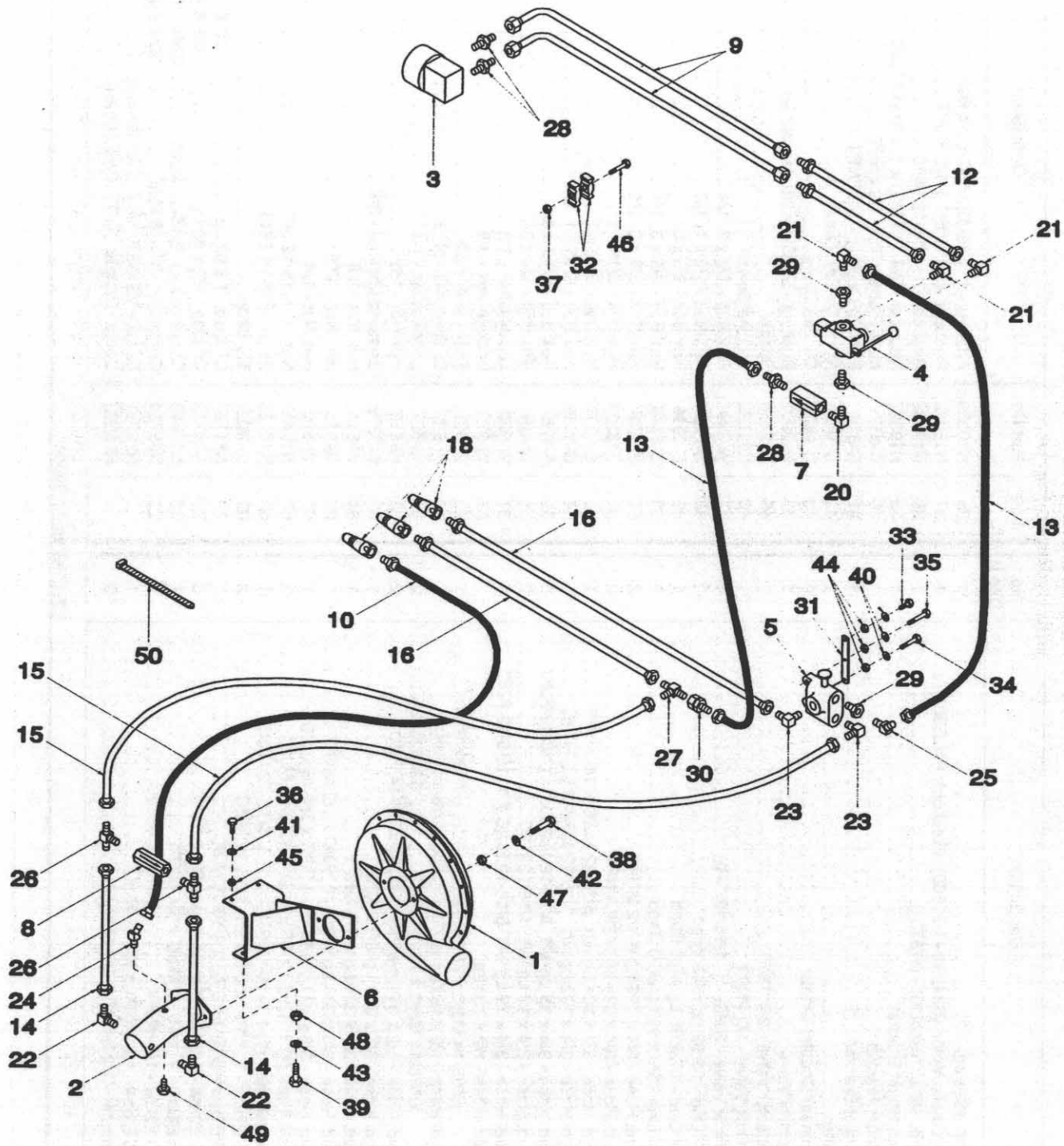
**TOW BEHIND AUGER HYDRAULICS**  
with Hydraulic Fan Drive



**TOW BEHIND AUGER HYDRAULICS**  
with Hydraulic Fan Drive

Item	Part No.	Description	No. Used	Item	Part No.	Description	No. Used
1	N16263	Fan (See pg. 7.2)	1	36	N19339	Adapter - 1 1/16-12 MJIC x 3/4 MNPT	1
2	N16265	Hydraulic Motor (Seal Kit - N25508) (Seal only - N25507)	1	37	N15032	Reducer - 3/4 MNPT x 1/2 FNPT	3
3	N15982	Orbit Motor (Seal Kit - N16731)	1	38	N19338	Reducer - 1 1/16-12 MJIC	1
4	N19357	Fan Mount Bracket	1	39	N19337	Reducer - 7/8-14 MJIC x 1 1/16-12 FJIC	1
5	N21690	Mount Bracket	1	40	C-817	Male Pioneer Tip - 1/2 FNPT	6
6	N21691	Mount Bracket	1	41	C-818	Pioneer Coupler - 1/2 FNPT	3
7	N19713	Strap	1	42	C-4698	Nylon Oil Line Clamp	8
8	N16608	Pioneer Coupler Clamp	4	43	D-4808	Oil Line Clamp	4
9	N15024	Control Valve	1	44	N13901	Bushing - 5/8 OD x 3/8 ID x 3/8 Lg	2
10	N19340	Selector Valve - 3/4 FNPT	1	45	N19458	Spacer	4
11	N15023	Check Valve - 1/2 FNPT	1	46	N21632	Oil Line Spacer	1
12	N16399	Check Valve - 3 PSI - 1 1/16-12 ORB	1	47	W-489	Hex Bolt - 1/2 x 2 1/4	2
13	N19335	Oil Line - 1 x 92 Lg w/45 Bend	2	48	S-776	Hex Bolt - 1/2 x 1 1/2	4
14	N19523	Oil Line - 1/2 x 96 Lg w/45 Bend	1	49	C-3918	Hex Bolt - 3/8 x 5	1
15	F-4560	Oil Line - 5/8 x 99 Lg w/90 Bend	2	50	D-5249	Hex Bolt - 3/8 x 3 1/4	2
16	N19442	Hyd. Hose - 3/4 x 396 Lg w/1/2 MNPT	2	51	W-479	Hex Bolt - 3/8 x 2 1/4	2
16A	N19452	Hyd. Hose - 3/4 x 324 Lg w/1/2 MNPT	2	52	S13337	Hex Bolt - 5/16 x 6	2
17	N19344	Hyd. Hose - 3/4 x 204 Lg w/1 5/16-12 MJIC x 1/2 MNPT	1	53	S-1303	Hex Bolt - 5/16 x 2	1
18	N19343	Hyd. Hose - 3/4 x 192 Lg w/1 1/16-12 MJIC x 1/2 MNPT	1	54	C-3035	Hex Bolt - 5/16 x 1 3/4	1
19	N19434	Hyd. Hose - 3/4 x 35 Lg w/1 5/16-12 MJIC x 1 1/16-12 FJIC	2	55	F-1767	Hex Bolt - 5/16 x 3/4	1
20	N15991	Hyd. Hose - 3/4 x 12 Lg w/1 1/16-12 FJIC	2	56	W-469	Hex Bolt - 1/4 x 3/4	4
21	N19342	Hyd. Hose - 3/4 x 12 Lg w/1 5/16-12 MJIC x 1 1/16-12 FJIC	1	57	W-525	Lockwasher - 1/2	6
22	N19345	Hyd. Hose - 1/2 x 132 Lg	1	58	W-523	Lockwasher - 3/8	3
		w/7/8-14 MJIC x 7/8-14 FJIC	1	59	W-538	Flatwasher - 3/8	4
		Hyd. Hose - 1/2 x 180 Lg w/7/8-14 MJIC x 7/8-14 FJIC	1	60	W-522	Lockwasher - 5/16	5
		w/7/8-14 MJIC x 7/8-14 FJIC	2	61	W-521	Lockwasher - 1/4	4
23	C-4387	Hyd. Hose - 1/2 x 36 Lg w/7/8-14 MJIC x 7/8-14 FJIC	2	62	W-516	Hex Nut - 1/2	6
24	N19443	Hyd. Hose - 3/8 x 396 Lg w/1/2 MNPT	1	63	D-5279	Serrated Locknut - 3/8	2
24A	N19451	Hyd. Hose - 3/8 x 324 Lg w/1/2 MNPT	1	64	W-514	Hex Nut - 3/8	3
25	N19346	Hyd. Hose - 3/8 x 204 Lg w/3/4-16 MJIC x 1/2 MNPT	1	65	W-513	Hex Nut - 5/16	5
26	N19475	Hyd. Hose - 3/8 x 48 Lg w/9/16-18 FJIC x 3/4-16 MJIC	1	66	W-512	Hex Nut - 1/4	4
27	N16388	Male Tee - (1) 1 1/16-12 ORB x (2) 1 1/16-12 MJIC	2	67	N19432	Nut - 1 5/16-12 JIC	1
28	N19336	Swivel Tee - (1) 1 5/16-12 FJIC x (2) 1 5/16-12 MJIC	1	68	N16621	Plug - 9/16-18 ORB	1
29	N16359	90 Elbow - 1 1/16-12 ORB x 1 1/16-12 MJIC	2	69	D-4838	The Strap	15
30	N19578	45 Elbow - 9/16-18 ORB x 9/16-18 MJIC	1	70	N21720	Oil Line - 1 x 62 Lg	2
31	C-4400	90 Elbow - 1/2 MNPT x 7/8-14 MJIC	3	71	N21719	Oil Line - 1/2 x 62 Lg	1
32	N19341	90 Elbow - 1 1/16-12 MJIC x 3/4 MNPT	1	72	N16346	Connector - 1 5/16-12 MJIC	2
33	N15033	90 Elbow - 1/2 MNPT	1	73	N25754	Connector - 3/4-16 MJIC	1
34	C-4402	45 Elbow - 1/2 MNPT x 7/8-14 MJIC	1		N19031	Decal - "AUGER FAN" (Not Shown)	1
35	C-4399	Adapter - 1/2 MNPT x 7/8-14 MJIC	3		N19023	Decal - Danger "HOT" (Not Shown)	1

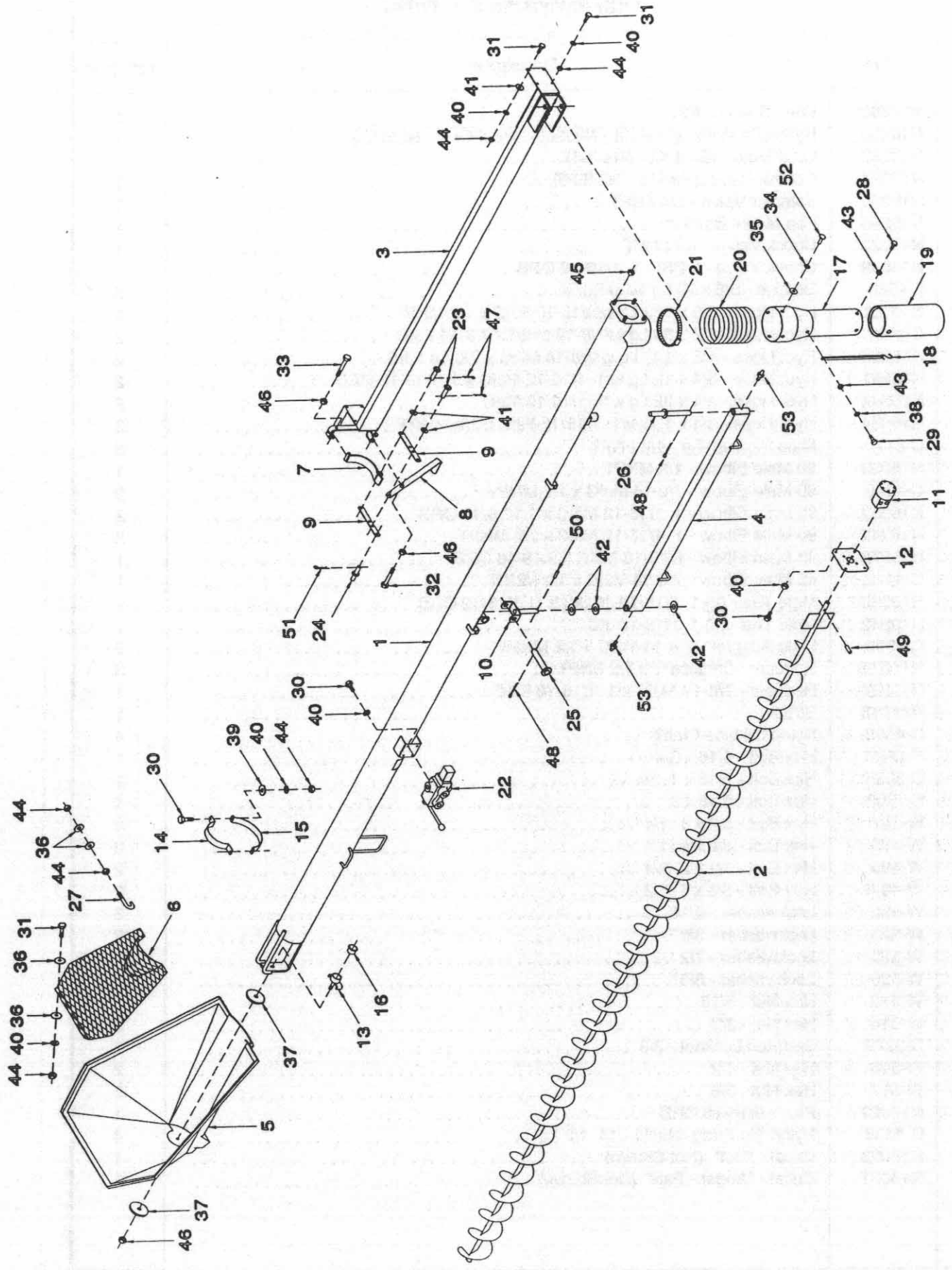
**TOW BETWEEN AUGER HYDRAULICS  
with Hydraulic Fan Drive**



**TOW BETWEEN AUGER HYDRAULICS  
with Hydraulic Fan Drive**

Item	Part No.	Description	No.Used
1	N16263	Fan (See pg. 7.2) .....	1
2	N16265	Hydraulic Motor (Seal Kit - N25508) (Seal Only - N25507) .....	1
3	N15982	Orbit Motor (Seal Kit - N16731) .....	1
4	N15024	Control Valve (Handle - N24595).....	1
5	N19340	Selector Valve - 3/4 FNPT .....	1
6	N19546	Fan Mount Bracket .....	1
7	N15023	Check Valve - 1/2 FNPT .....	1
8	N16399	Check Valve - 0 PSI - 1 1/16-12 ORB .....	1
9	F-4560	Oil Line - 5/8 x 99 Lg w/90 Bend .....	2
10	N16181	Hyd. Hose - 3/8 x 156 Lg w/9/16-18 FJIC x 1/2 MNPT .....	1
12	C-4387	Hyd. Hose - 1/2 x 36 Lg w/7/8-14 MJIC x 7/8-14 FJIC .....	2
13	N19365	Hyd. Hose - 1/2 x 140 Lg w/7/8-14 MJIC x 7/8-14 FJIC .....	2
14	N15991	Hyd. Hose - 3/4 x 12 Lg w/1 1/16-12 MJIC x 1 1/16-12 ORB .....	2
15	N25644	Hyd. Hose - 3/4 x 35 Lg w/1 1/16-12 FJIC .....	2
16	N16454	Hyd. Hose - 3/4 x 130 w/1 1/16-12 FJIC x 1/2 MNPT .....	2
18	C-817	Male Pioneer Tip - 1/2 FNPT .....	3
20	N15033	90 Male Elbow - 1/2 MNPT .....	1
21	C-4400	90 Male Elbow - 7/8-14 MJIC x 1/2 MNPT .....	3
22	N16359	90 Male Elbow - 1 1/16-12 MJIC x 1 1/16-12 ORB .....	2
23	N19341	90 Male Elbow - 1 1/16-12 MJIC x 3/4 MNPT .....	2
24	N19578	45 Male Elbow - 9/16-18 MJIC x 9/16-18 ORB .....	1
25	C-4402	45 Male Elbow - 7/8-14 MJIC x 1/2 MNPT .....	1
26	N16388	Male Tee - (2) 1 1/16-12 JIC x (1) 1 1/16-12 ORB .....	2
27	N19549	Male Tee - (3) 1 1/16-12 JIC .....	1
28	C-4399	Male Adapter - 7/8-14 MJIC x 1/2 MNPT .....	3
29	N15032	Reducer - 3/4 MNPT x 1/2 FNPT .....	3
30	N19337	Reducer - 7/8-14 MJIC x 1 1/16-12 FJIC .....	1
31	N19713	Strap .....	1
32	C-4698	Nylon Oil Line Clamp .....	4
33	F-1767	Hex Bolt - 5/16 x 3/4 .....	1
34	C-3035	Hex Bolt - 5/16 x 1 3/4 .....	1
35	S-1303	Hex Bolt - 5/16 x 2 .....	1
36	W-187	Hex Bolt - 3/8 x 1 1/4 .....	2
37	W-479	Hex Bolt - 3/8 x 2 1/4 .....	2
38	W-489	Hex Bolt - 1/2 x 2 1/4 .....	2
39	W-497	Hex Bolt - 5/8 x 1 1/2 .....	2
40	W-522	Lockwasher - 5/16 .....	3
41	W-523	Lockwasher - 3/8 .....	2
42	W-525	Lockwasher - 1/2 .....	2
43	W-526	Lockwasher - 5/8 .....	2
44	W-513	Hex Nut - 5/16 .....	3
45	W-514	Hex Nut - 3/8 .....	2
46	D-5279	Serrated Locknut - 3/8 .....	2
47	W-516	Hex Nut - 1/2 .....	2
48	W-517	Hex Nut - 5/8 .....	2
49	N16621	Plug - 9/16-18 ORB .....	1
50	D-4838	Nylon Tie Strap (black) - 14 1/2 Lg .....	4
	N19023	Decal - "Hot" (Not Shown) .....	1
	N19031	Decal - "Auger - Fan" (Not Shown) .....	1

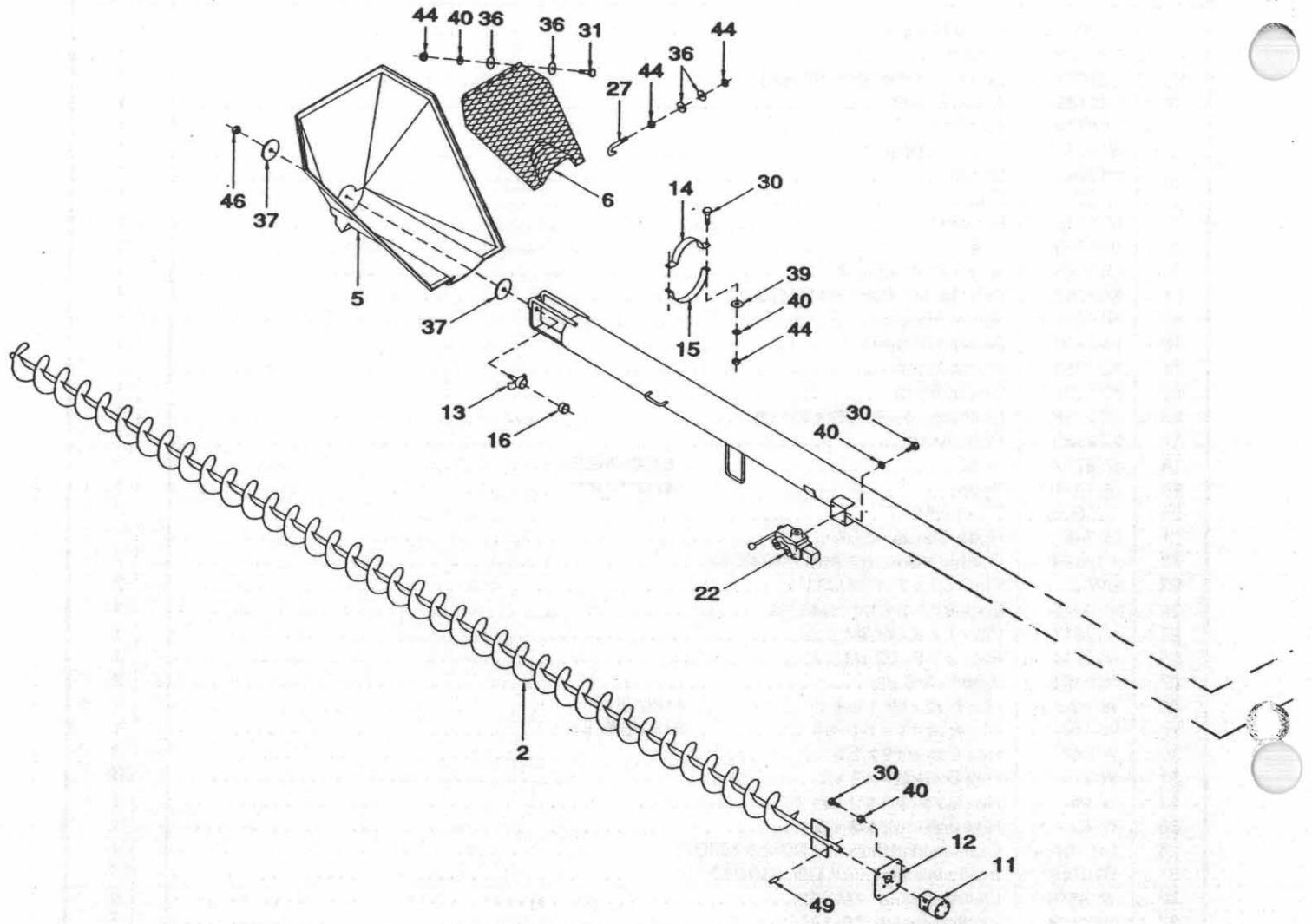
6130 / 6180 7" AUGER ASSEMBLY



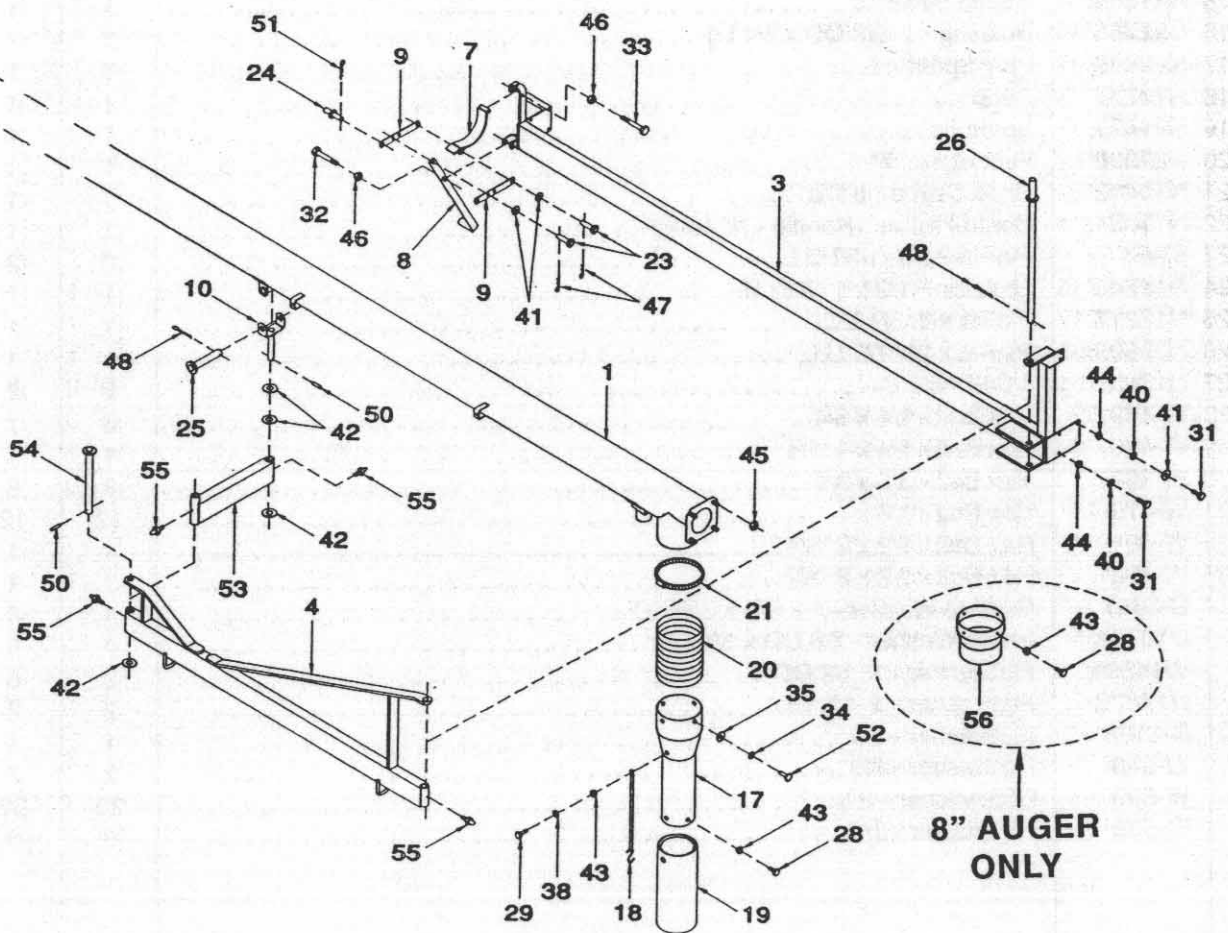
**6130 / 6180 7" AUGER ASSEMBLY**

Item	Part No.	Description	No.Used
1	N19063	Auger Housing	1
2	N19083	Flyteing	1
2A	N21077	Brush Flyteing (Not Shown)	1
3	N19742	Auger Mount	1
4	N19190	Auger Arm	1
5	N19784	Auger Hopper	1
6	N19788	Screen	1
7	N19741	Cradle	1
8	N19737	Handle	1
9	N19736	Link	2
10	N19195	Auger Pivot Saddle	1
11	N15982	Orbit Motor (Seal Kit N16731)	1
12	N19480	Mount Plate	1
13	N22809	Bearing Support	1
14	N21293	Clamp Strap	1
15	N21294	Clamp Strap	1
16	C22785	Bushing - 1 5/8 OD x 3/4 Lg	1
17	N22799	Poly Spout	1
18	N19777	Strap 6180 ONLY	1
19	N24421	Spout 6180 ONLY	1
20	N22802	Flex Hose - 7"	1
21	N15462	Hose Clamp - 8 Dia	1
22	N15024	Control Valve (Handle - N24595)	1
23	BW-8	Pin - 1/2 x 1 1/32 U.L.	2
24	N19745	Lock Pin - 1/2 x 1 1/32 U.L.	1
25	N17217	Pin - 1 x 4 3/4 U.L.	1
26	N19744	Pin - 1 x 5 1/8 U.L.	1
27	N15161	J-Bolt - 3/8	2
28	W-469	Hex Bolt - 1/4 x 3/4 6180 ONLY	3
29	W-470	Hex Bolt - 1/4 x 1 1/4 6180 ONLY	1
30	W-867	Hex Bolt - 3/8 x 3/4	8
31	W-475	Hex Bolt - 3/8 x 1	12
32	W-491	Hex Bolt - 1/2 x 2 3/4	1
33	W-493	Hex Bolt - 1/2 x 3 1/2	1
34	D-5487	Outside Washer - 1/2 OD x 3/16 ID	4
35	D10788	Inside Washer - 7/8 OD x 3/16 ID	4
36	W14504	Flatwasher - 1 1/2 OD	8
37	N17232	Flatwasher - 4 1/8 OD	2
38	S-1198	Flatwasher - 1/4 6180 ONLY	1
39	W-538	Flatwasher - 3/8	2
40	W-523	Lockwasher - 3/8	20
41	W-539	Flatwasher - 1/2	6
42	D10803	Flatwasher - 1	3
43	N22778	Locknut - 1/4 6180 ONLY	4
44	W-514	Hex Nut - 3/8	16
45	D-5279	Serrated Locknut - 3/8	4
46	F-3405	Locknut - 1/2 Unitorque	3
47	W-907	Cotter Pin - 5/32 x 3/4 Lg	2
48	W-535	Cotter Pin - 1/4 x 1 1/2 Lg	2
49	N15983	Spiral Pin - 5/16 x 1 1/2 Lg	1
50	W-1002	Spiral Pin - 5/16 x 2 Lg	1
51	W-131	Hair Pin #9 - .148 x 3 5/16 Lg	1
52	D-4945	Pop Rivet - 3/16 x 3/8 GRIP	4
53	S-752	Grease Nipple - 1/4 Strait	2
	N19481	Spout Assembly (Includes Items #17, 20, 34, 35 & 52)	
	N19778	Extendable Spout Assembly 6180 ONLY (Includes Items #17, 18, 19, 20, 28, 29, 34, 35, 38, 43 & 52)	
	C12602	Reflector - AMBER (Not Shown)	2
	N19032	Decal - Information (Not Shown)	1
	N19033	Decal - Danger (Not Shown)	1
	N19034	Decal - Danger (Not Shown)	1
	N19020	Decal - Caution "LOCK PIN" (Not Shown)	1
	C25810	Decal - "GREASE 100 HRS" (Not Shown)	2

6240 / 6300 7" & 8" AUGER ASSEMBLY



6240 / 6300 7" & 8" AUGER ASSEMBLY



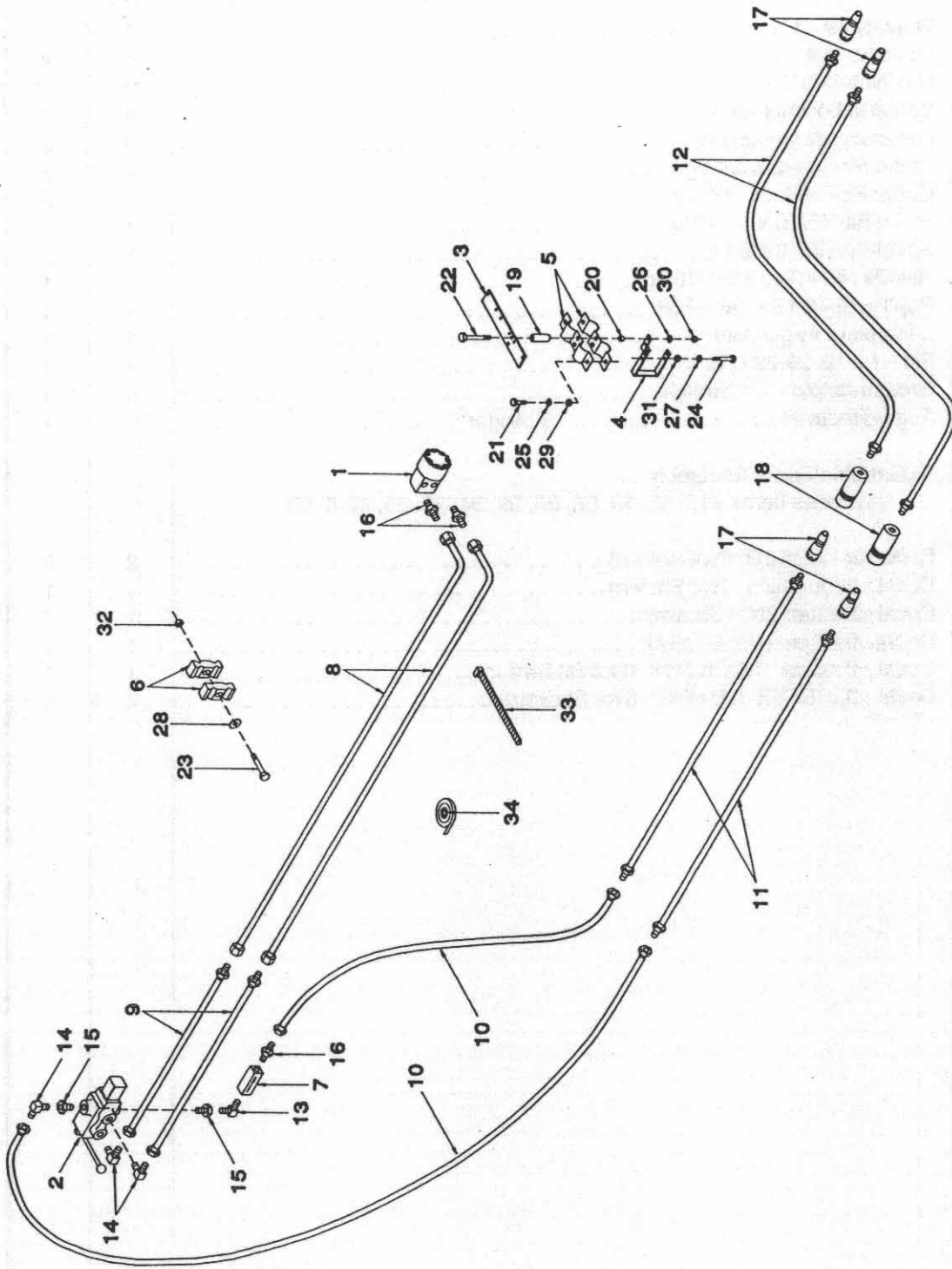
**6240 / 6300 7" & 8" AUGER ASSEMBLY**

Item	Part No.	Description	No.Used	
			7"	8"
1	N25539	Auger Housing ..... 7" Auger .....	1	-
	N25682	Auger Housing ..... 8" Auger .....	-	1
2	N25544	Flyteing ..... 7" Auger .....	1	-
	N25686	Flyteing ..... 8" Auger .....	-	1
2A	N21079	Brush Flyteing ..... 7" Auger .....	1	-
	N21078	Brush Flyteing ..... 8" Auger .....	-	1
3	N21736	Auger Mount .....	1	1
4	N21735	Auger Arm .....	1	1
5	N19784	Auger Hopper .....	1	1
6	N19788	Screen .....	1	1
7	N19741	Cradle ..... 7" Auger .....	1	-
	N25689	Cradle ..... 8" Auger .....	-	1
8	N19737	Handle .....	1	1
9	N19736	Link .....	2	2
10	N19195	Auger Pivot Saddle .....	1	1
11	N15982	Orbit Motor (Seal Kit N16731) ..... 7" Auger .....	1	-
	N25741	Orbit Motor ..... 8" Auger .....	-	1
12	N19480	Mount Plate ..... 7" Auger .....	1	-
	N25753	Mount Plate ..... 8" Auger .....	-	1
13	N22809	Bearing Support .....	1	1
14	N21293	Clamp Strap ..... 7" Auger .....	1	-
	N25668	Clamp Strap ..... 8" Auger .....	-	1
15	N21294	Clamp Strap .....	1	1
16	C22785	Bushing - 1 5/8 OD x 3/4 Lg .....	1	1
17	N22799	Poly Spout .....	1	1
18	N19777	Strap .....	1	1
19	N24421	Spout .....	1	1
20	N22802	Flex Hose - 7" .....	1	1
21	N15462	Hose Clamp - 8 Dia .....	1	1
22	N15024	Control Valve (Handle - N24595) .....	1	1
23	BW-8	Pin - 1/2 x 1 1/32 U.L. ....	2	2
24	N19745	Lock Pin - 1/2 x 1 1/32 U.L. ....	1	1
25	N17217	Pin - 1 x 4 3/4 U.L. ....	1	1
26	N25605	Pin - 1 x 22 7/8 U.L. ....	1	1
27	N15161	J-Bolt - 3/8 .....	2	2
28	W-469	Hex Bolt - 1/4 x 3/4 .....	3	7
29	W-470	Hex Bolt - 1/4 x 1 1/4 .....	1	1
30	W-867	Hex Bolt - 3/8 x 3/4 .....	8	8
31	W-475	Hex Bolt - 3/8 x 1 .....	12	12
32	W-491	Hex Bolt - 1/2 x 2 3/4 .....	1	1
33	W-493	Hex Bolt - 1/2 x 3 1/2 .....	1	1
34	D-5487	Outside Washer - 1/2 OD x 3/16 ID .....	4	4
35	D10788	Inside Washer - 7/8 OD x 3/16 ID .....	4	4
36	W14504	Flatwasher - 1 1/2 OD .....	8	8
37	N17232	Flatwasher - 4 1/8 OD .....	2	2
38	S-1198	Flatwasher - 1/4 .....	1	1
39	W-538	Flatwasher - 3/8 .....	2	2
40	W-523	Lockwasher - 3/8 .....	20	20
41	W-539	Flatwasher - 1/2 .....	6	6

**6240 / 6300 7" & 8" AUGER ASSEMBLY**

Item	Part No.	Description	No.Used	
			7"	8"
42	D10803	Flatwasher - 1 .....	4	4
43	N22778	Locknut - 1/4 .....	4	8
44	W-514	Hex Nut - 3/8 .....	16	16
45	D-5279	Serrated Locknut - 3/8 .....	4	4
46	F-3405	Locknut - 1/2 Unitorque .....	3	3
47	W-907	Cotter Pin - 5/32 x 3/4 Lg .....	2	2
48	W-535	Cotter Pin - 1/4 x 1 1/2 Lg .....	2	2
49	N15983	Spiral Pin - 5/16 x 1 1/2 Lg .....	1	1
50	W-1002	Spiral Pin - 5/16 x 2 Lg .....	2	2
51	W-131	Hair Pin #9 - .148 x 3 5/16 Lg .....	1	1
52	D-4945	Pop Rivet - 3/16 x 3/8 GRIP .....	4	4
53	N25600	Secondary Auger Arm .....	1	1
54	N25595	Pin - 1 x 10 29/32 U.L. ....	1	1
55	S-752	Grease Nipple - 1/4 Straight .....	4	4
56	N21076	Auger Reducer ..... 8" Auger .....	-	1
	N19778	Extendable Spout Assembly (Includes Items #17, 18, 19, 20, 28, 29, 34, 35, 38, 43 & 52)		
	C12602	Reflector - AMBER (Not Shown) .....	2	2
	N19032	Decal - Information (Not Shown) .....	1	1
	N19033	Decal - Danger (Not Shown) .....	1	1
	N19034	Decal - Danger (Not Shown) .....	1	1
	N19020	Decal - Caution "LOCK PIN" (Not Shown) .....	1	1
	C25810	Decal - "GREASE 100 HRS" (Not Shown) .....	4	4

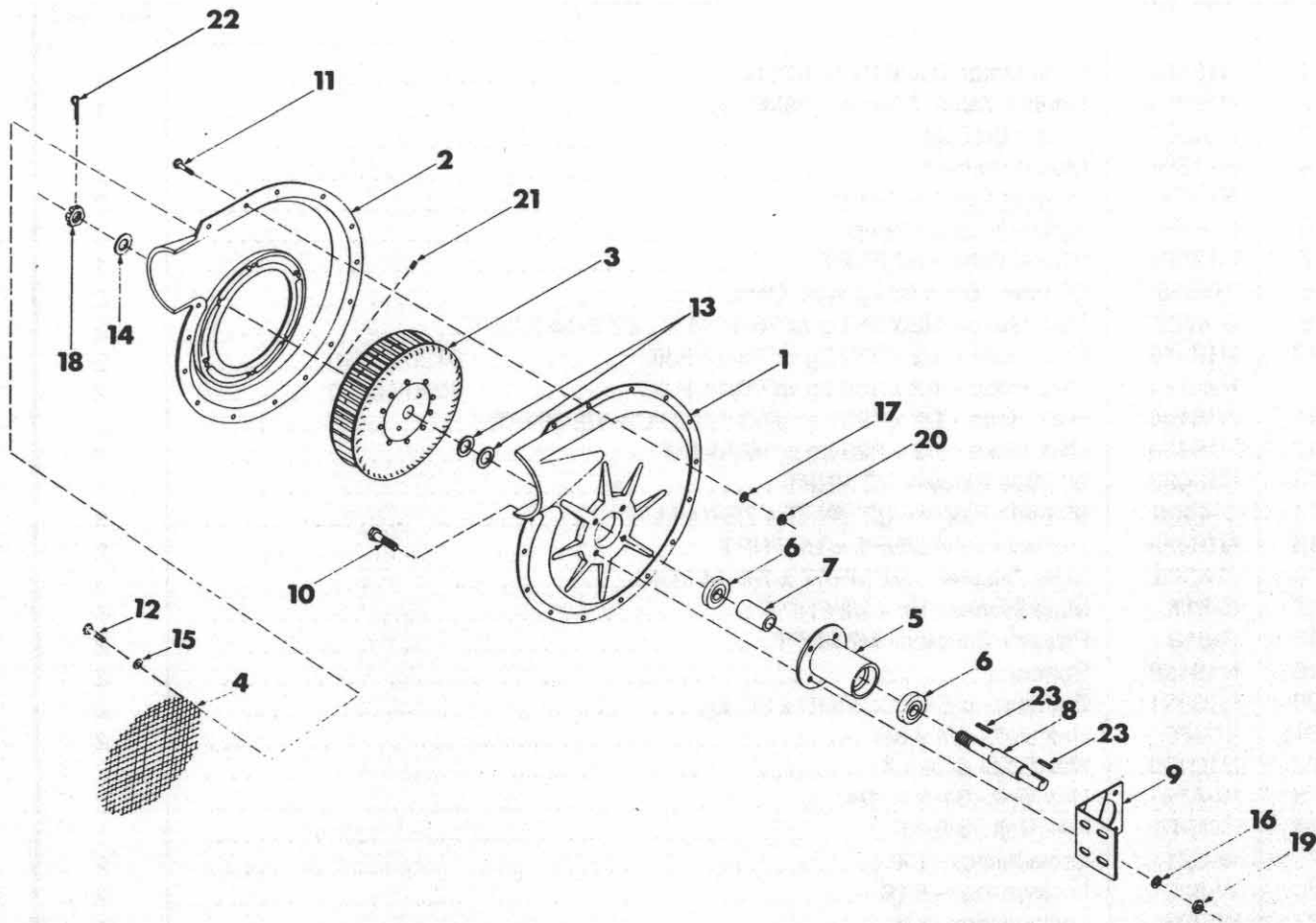
# AUGER HYDRAULICS WITH ENGINE FAN DRIVE



## AUGER HYDRAULICS WITH ENGINE FAN DRIVE

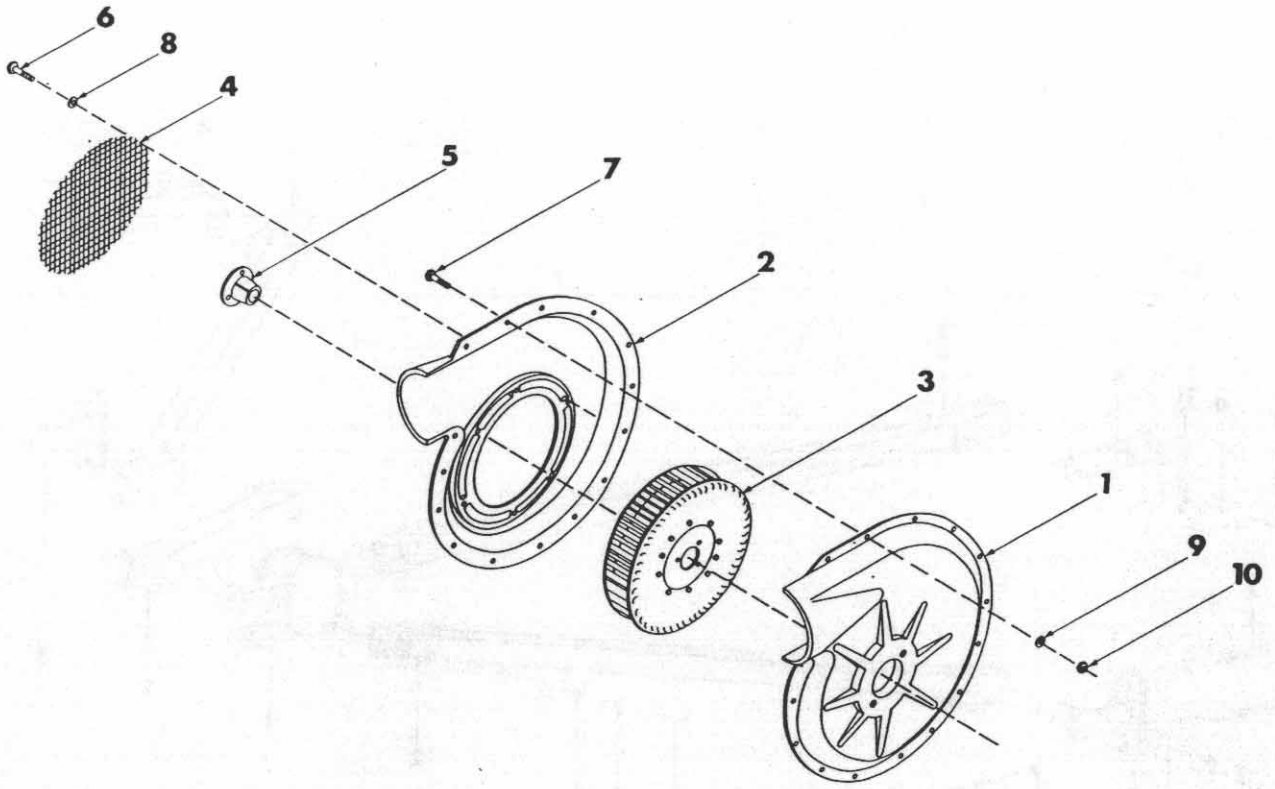
Item	Part No.	Description	No.Used
1	N15982	Orbit Motor (Seal Kit N16731) .....	1
2	N15024	Control Valve (Handle - N24595) .....	1
3	N21690	Mount Bracket .....	1
4	N21691	Mount Bracket .....	1
5	N16608	Pioneer Coupler Clamp .....	2
6	C-4698	Nylon Oil Line Clamp .....	4
7	N15023	Check Valve- 1/2 FNPT .....	1
8	F-4560	Oil Line - 5/8 x 99 Lg w/90 Bend .....	2
9	C-4387	Hyd. Hose - 1/2 x 36 Lg w/7/8-14 MJIC x 7/8-14 FJIC .....	2
10	N19345	Hyd. Hose - 1/2 x 132 Lg w/7/8-14 FJIC ..... 6130 / 6180 .....	2
	N21721	Hyd. Hose - 1/2 x 180 Lg w/7/8-14 FJIC ..... 6240 / 6300 .....	2
11	N16146	Hyd. Hose - 1/2 x 192 Lg w/7/8-14 MJIC x 1/2 MNPT .....	2
12	N19454	Hyd. Hose - 1/2 x 396 Lg w/1/2 MNPT .....	2
13	N15033	90 Male Elbow - 1/2 MNPT .....	1
14	C-4400	90 Male Elbow - 1/2 MNPT x 7/8-14 MJIC .....	3
15	N15032	Reducer - 3/4 MNPT x 1/2 FNPT .....	2
16	C-4399	Male Adapter - 1/2 MNPT x 7/8-14 MJIC .....	3
17	C-817	Male Pioneer Tip - 1/2 FNPT .....	4
18	C-818	Pioneer Coupler - 1/2 FNPT .....	2
19	N19458	Spacer .....	2
20	N13901	Bushing - 5/8 OD x 3/8 ID x 3/8 Lg .....	2
21	W-469	Hex Bolt - 1/4 x 3/4 .....	2
22	N15196	Hex Bolt - 5/16 x 4 .....	2
23	W-479	Hex Bolt - 3/8 x 2 1/4 .....	2
24	C-3918	Hex Bolt - 3/8 x 5 .....	1
25	W-521	Lockwasher - 1/4 .....	2
26	W-522	Lockwasher - 5/16 .....	2
27	W-523	Lockwasher - 3/8 .....	1
28	W-538	Flatwasher - 3/8 .....	2
29	W-512	Hex Nut - 1/4 .....	2
30	W-513	Hex Nut - 5/16 .....	2
31	W-514	Hex Nut - 3/8 .....	1
32	D-5279	Serrated Locknut - 3/8 .....	2
33	D-4838	Tie Strap .....	10
34	W-3022	Teflon Tape .....	1

# CRARY BELT DRIVE FAN



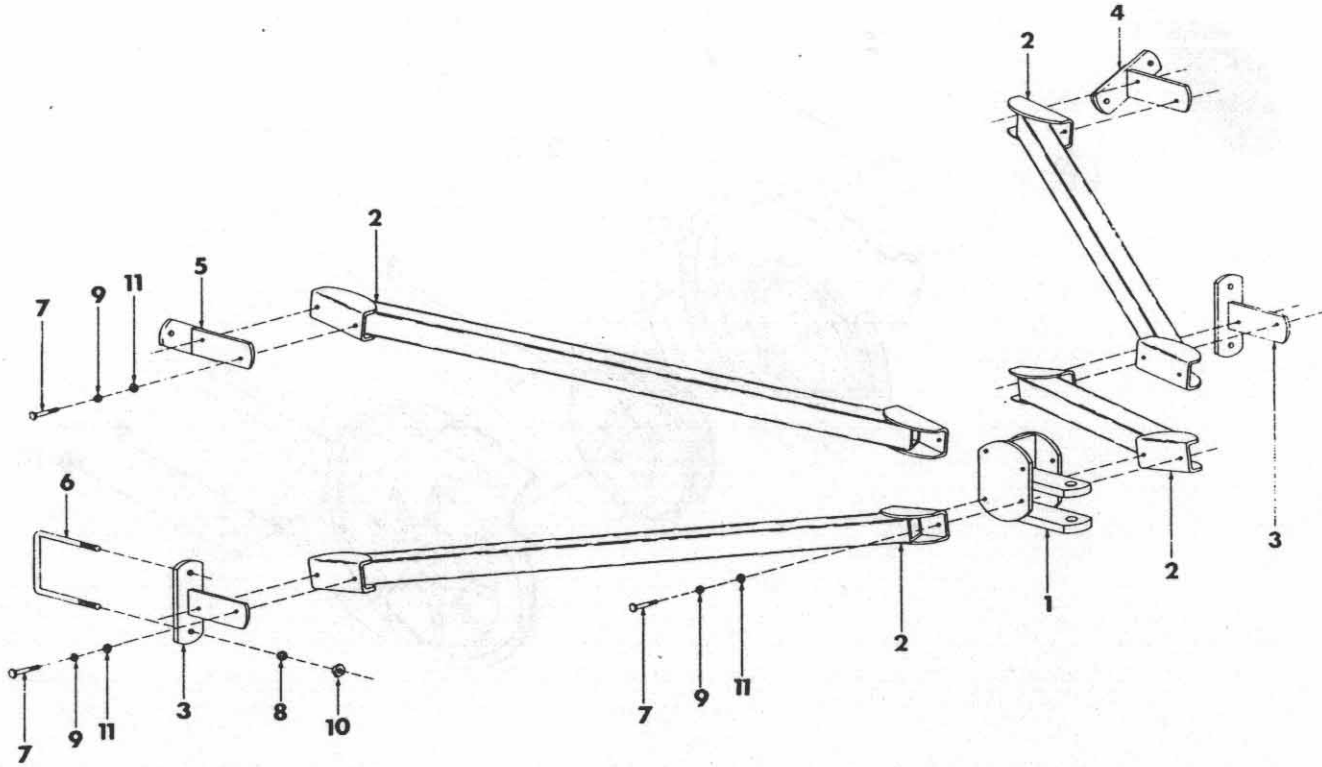
Item	Part No.	Description	No.Used
1	N19499	Drive Side Casting .....	1
2	N16709	Inlet Side Casting .....	1
3	N19498	Rotor .....	1
4	N16711	Screen .....	1
5	N19500	Bearing Housing .....	1
6	N19502	Bearing .....	2
7	N19565	Spacer .....	1
8	N19501	Shaft .....	1
9	N19463	Mount Bracket .....	1
10	W-486	Hex Bolt - 1/2 x 1 1/2 .....	4
11	W-1552	Hex Bolt - 1/4 x 1 .....	15
12	W-469	Hex Bolt - 1/4 x 3/4 .....	6
13	W-544	Flatwasher - 7/8 .....	2
14	W-476	Flatwasher - 3/4 .....	1
15	S-747	Flatwasher - 1/4 .....	6
16	W-525	Lockwasher - 1/2 .....	4
17	W-521	Lockwasher- 1/4 .....	15
18	N19505	Castle Nut - 3/4 .....	1
19	W-516	Hex Nut - 1/2 .....	4
20	W-512	Hex Nut - 1/4 .....	15
21	N19564	Setscrew - 5/16 x 5/8 .....	1
22	D-5237	Cotter Pin - 5/32 x 1 1/2 .....	1
23	N19084	Key - 3/16 x 3/16 x 1 1/4 Lg .....	2
	N19369	Fan (Includes All Above Items)	

**CRARY HYDRAULIC DRIVE FAN**



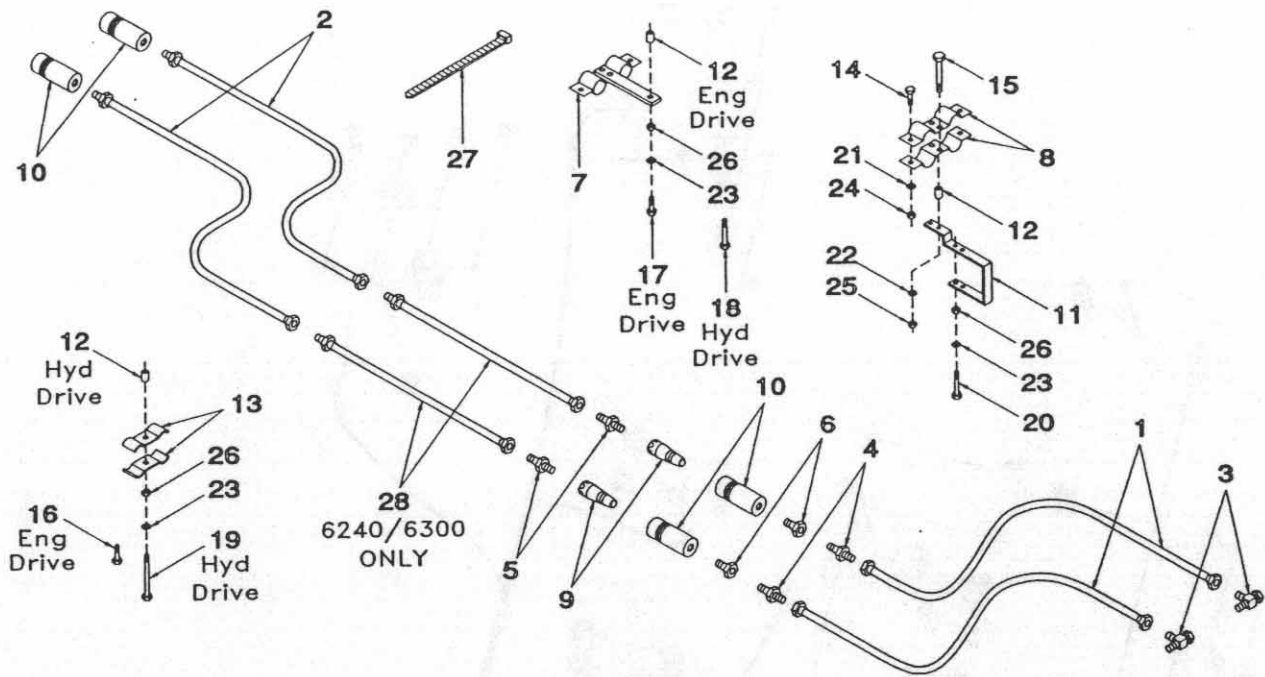
Item	Part No.	Description	No.Used
1	N16708	Bearing Plate Casting .....	1
2	N16709	Inlet Casting .....	1
3	N16710	Rotor .....	1
4	N16711	Screen .....	1
5	N16712	Tapered Bushing (Includes Hardware) .....	1
6	W-469	Hex Bolt - 1/4 x 3/4 .....	6
7	W-1552	Hex Bolt - 1/4 x 1 .....	15
8	S-747	Flatwasher - 1/4 .....	6
9	W-521	Lockwasher - 1/4 .....	15
10	W-512	Hex Nut - 1/4 .....	15
	N16263	Fan (Includes All Above Items)	

# PACKER TOW HITCH ASSEMBLY



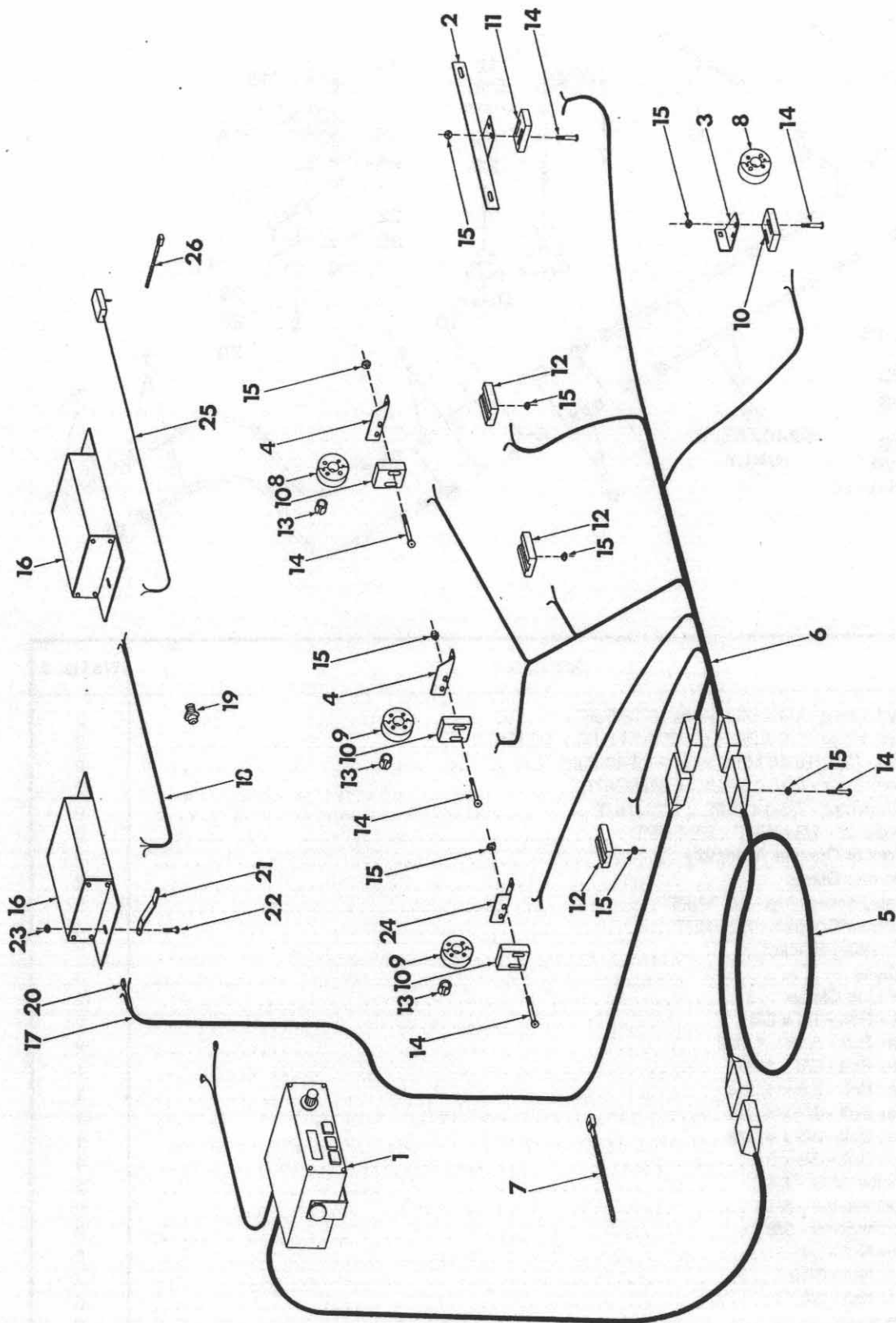
Item	Part No.	Description	No.Used
1	H21323	Hitch .....	1
2	H21320	Hitch Tube .....	4
3	H21317	Lower Hitch Bracket .....	2
4	H21319	Upper Right Hitch Bracket .....	1
5	H21318	Upper Left Hitch Bracket .....	1
6	F-4642	U-Bolt - 5/8 .....	4
7	W-486	Hex Bolt - 1/2 x 1 1/2 .....	16
8	W-526	Lockwasher - 5/8 .....	8
9	W-525	Lockwasher - 1/2 .....	16
10	W-517	Hex Nut - 5/8 .....	8
11	W-516	Hex Nut - 1/2 .....	16

# HYDRAULIC EXTENSION KIT



Item	Part No.	Description	No.Used
1	H18267	Hyd. Hose - 1/4 x 96 Lg w/9/16-18 FJIC .....	2
2	N15041	Hyd. Hose - 1/2 x 293 Lg w/7/8-14 FJIC x 1/2 MNPT .....	2
3	C-4403	Tee - (2) 9/16-18 MJIC x (1) 9/16-18 FJIC .....	2
4	C-4405	Connector - 9/16-18 MJIC x 3/8 MNPT .....	2
5	C-4399	Connector - 7/8-14 MJIC x 1/2 MNPT .....	2
6	C-719	Reducer - 1/2 MNPT x 3/8 FNPT .....	2
7	S-1379	Pioneer Coupler Assembly .....	1
8	N16608	Pioneer Clamp .....	2
9	C-817	Male Pioneer Tip - 1/2 FNPT .....	2
10	C-818	Pioneer Coupler - 1/2 FNPT .....	4
11	N21691	Mounting Bracket .....	1
12	N16257	Spacer .....	3
13	D-4808	Oil Line Clamp .....	2
14	W-469	Hex Bolt - 1/4 x 3/4 .....	2
15	W-473	Hex Bolt - 5/16 x 1 1/2 .....	2
16	W-187	Hex Bolt - 3/8 x 1 1/4 .....	1
17	W-619	Hex Bolt - 3/8 x 1 3/4 .....	1
18	D-5249	Hex Bolt - 3/8 x 3 1/4 .....	1
19	S-1299	Hex Bolt - 3/8 x 4 1/2 .....	1
20	C-3918	Hex Bolt - 3/8 x 5 .....	1
21	W-521	Lockwasher - 1/4 .....	2
22	W-522	Lockwasher - 5/16 .....	2
23	W-523	Lockwasher - 3/8 .....	3
24	W-512	Hex Nut - 1/4 .....	2
25	W-513	Hex Nut - 5/16 .....	2
26	W-514	Hex Nut - 3/8 .....	3
27	D-4838	Tie Strap .....	6
28	C15310	Hyd. Hose - 1/2 x 72 Lg w/7/8-14 MJIC x 7/8-14 FJIC ..... (6240 / 6300 ONLY) .....	2

# MONITOR & BLOCKAGE MODULE ASSEMBLY



## MONITOR & BLOCKAGE MODULE ASSEMBLY

Item	Part No.	Description	No.Used
<b>Monitor Assembly</b>			
1	N21062	Monitor- Vansco #PRO 2005 .....	1
2	N16565	Sensor Mount - Fan .....	1
3	N16555	Sensor Mount - Ground .....	1
4	N19450	Sensor Mount - Metershaft - Main .....	2
5	N21184	Wire - Monitor Extension ..... Tow Behind .....	1
6	N19372	Monitor Wiring Harness ..... 6130 / 6180 Tow Behind .....	1
	N24688	Monitor Wiring Harness ..... 6130 / 6180 Tow Between .....	1
	N24749	Monitor Wiring Harness ..... 6240 / 6300 .....	1
7	D-4838	Nylon Tie Strap - Black - 14 1/2 Lg .....	12
8	N16473	Reed Switch Actuator - 2 Magnets .....	2
9	N16471	Reed Switch Actuator - 4 Magnets .....	2
10	N16470	Reed Switch Pickup .....	4
11	N16469	Magnetic Pickup .....	1
12	N19015	Bin Level Sensor c/w Gasket .....	3
13	N19599	Bushing - Spacer .....	3
14	N16563	Machine Screw - #8-32 UNC x 1 .....	14
15	N16564	Hex Nut - #8-32 UNC .....	20
24	N21671	Sensor Mount - Metershaft - Granular .....	1
	N24391	Fuse Holder & Cap (Installed in Item 1)	
	N24392	Fast Blow Fuse - 3 AMP (Installed in Item 1)	
	N24302	Magnet only (Installed in Items 8 & 9)	
	N24583	Monitor Cable Wire (Bulk/Ft)	
	N24582	Monitor Mounting Bracket	
A	N21540	Brylite End - Male - 12 Pin Plug	
B	N21541	Brylite End - Female - 12 Pin Plug	
C	N25986	Monitor Bracket Knob	
<b>Blockage Module Assembly</b>			
16	N21121	Blockage Module #150001 .....	As req'd
17	N15951	Wire - Blockage Module - Primary (Required for 1st Module ONLY) .....	1
18	N16474	Wire - Connector - Blockage Module (Required for subsequent Modules) .....	As req'd
19	N21653	Module Wire Retainer w/Nut (Qty per Blockage Module) .....	2
20	N21654	Female Connector - 18 Ga Fast-On (Qty per Blockage Module) .....	6
21	N21520	Bracket - Mount (Qty per Blockage Module) .....	2
22	W-469	Hex Bolt - 1/4 x 3/4 (Qty per Blockage Module) .....	2
23	D-5277	Serrated Locknut - 1/4 (Qty per Blockage Module) .....	2
25	N21122	Pin Sensor - #141000-04 .....	As req'd
26	D-4951	Nylon Tie Strap - 7 3/8 Lg (Qty per Pin Sensor) .....	1
	N21655	Blockage Module Kit (Includes Items #16, 19, 20, 21, 22 & 23)	
	N21656	Pin Sensor Kit (Includes Items #25 & 26)	

## Cross Reference Index

Part No.	Page	Item	Part No.	Page	Item	Part No.	Page	Item	Part No.	Page	Item
BW-11	1.10	56	C-4402	6.2	34	D-4945	6.10	52	D-5278	4.2	44
BW-11	1.6	64	C-4402	6.4	25	D-4945	6.6	52	D-5278	4.4	44
BW-11	1.8	27	C-4403	8.2	3	D-4951	9.2	26	D-5278	4.6	44
BW-8	6.6	23	C-4405	8.2	4	D-5064	5.3	41	D-5278	4.8	48
BW-8	6.9	23	C-4651	1.6	40	D-5098	1.2	16	D-5278	5.4	64
C12375	5.4	50	C-4698	5.6	7	D-5098	1.4	16	D-5279	1.10	50
C12376	5.4	57	C-4698	5.7	6	D-5131	1.6	30	D-5279	1.4	49
C12602	1.2		C-4698	6.12	6	D-5140	1.10	28	D-5279	1.6	58
C12602	1.4		C-4698	6.2	42	D-5140	1.6	31	D-5279	1.8	22
C12602	6.10		C-4698	6.4	32	D-5234	2.3	33	D-5279	4.10	47
C12603	1.2		C-695	1.10	42	D-5234	2.7	6	D-5279	4.12	47
C12603	1.4		C-695	1.6	48	D-5237	7.1	22	D-5279	4.14	47
C15310	8.2	28	C-695	1.8	17	D-5239	1.12	34	D-5279	4.16	47
C-1550	1.10	38	C-705	1.8	21	D-5239	3.1	14	D-5279	4.2	43
C-1550	1.6	42	C-708	3.1	16	D-5239	3.1	14	D-5279	4.4	43
C-1550	2.6	7	C-719	8.2	6	D-5247	3.2	16	D-5279	4.6	43
C-1550	5.7	14	C-817	5.6	24	D-5249	2.3	43	D-5279	4.8	47
C18760	1.10	27	C-817	5.7	4	D-5249	2.8	12	D-5279	6.10	45
C18760	1.6	26	C-817	5.8	7	D-5249	5.6	32	D-5279	6.12	32
C18760	1.8	10	C-817	6.12	17	D-5249	6.2	50	D-5279	6.2	63
C-219	1.10	35	C-817	6.2	40	D-5249	8.2	18	D-5279	6.4	46
C-219	1.6	37	C-817	6.4	18	D-5259	1.2	30	D-5279	6.6	45
C22785	6.6	16	C-817	8.2	9	D-5259	1.4	28	D-5487	6.6	34
C22785	6.9	16	C-818	5.6	25	D-5259	2.3	46	D-5487	6.9	34
C25810	6.10		C-818	5.7	5	D-5271	1.2		D-5488	1.2	40
C-3035	6.2	54	C-818	6.12	18	D-5271	1.4		D-5488	1.4	38
C-3035	6.4	34	C-818	6.2	41	D-5271	3.2	14	D-5488	2.5	18
C-333	1.8	14	C-818	6.4	19	D-5272	1.2	48	D-5489	1.10	43
C-4651	1.10	36	C-818	8.2	10	D-5274	1.10	55	D-5489	1.2	41
C-3664	2.3	41	D10553	1.10	15	D-5274	1.6	63	D-5489	1.4	41
C-3902	1.6		D10553	1.6	23	D-5275	5.4	58	D-5489	1.6	50
C-3902	1.8		D10788	6.6	35	D-5277	1.2	45	D-5489	5.4	54
C-3918	1.2	36	D10788	6.9	35	D-5277	1.4	61	D-5499	3.1	12
C-3918	1.4	35	D10803	6.10	42	D-5277	2.4	58	D-5499	3.1	12
C-3918	5.6	33	D10803	6.6	42	D-5277	2.6	12	D-5579	4.10	40
C-3918	6.12	24	D10820	5.4	56	D-5277	4.10	34	D-5579	4.12	40
C-3918	6.2	49	D12903	1.8	18	D-5277	4.12	34	D-5579	4.14	40
C-3918	8.2	20	D13320	5.3	44	D-5277	4.14	34	D-5579	4.16	40
C-3932	1.10	34	D13705	1.2		D-5277	4.16	34	D-5579	4.2	36
C-3932	1.6	36	D13705	1.4		D-5277	4.2	46	D-5579	4.4	36
C-3932	1.8	29	D17808	2.3	32	D-5277	4.4	46	D-5579	4.6	36
C-4368	5.7	1	D17808	2.8	2	D-5277	4.6	46	D-5579	4.8	40
C-4387	6.12	9	D-4808	5.6	29	D-5277	4.8	34	F12968	5.3	19
C-4387	6.2	23	D-4808	6.2	43	D-5277	5.4	65	F-1767	4.10	36
C-4387	6.4	12	D-4808	8.2	13	D-5277	9.2	23	F-1767	4.12	36
C-4399	5.7	3	D-4838	5.4	63	D-5278	1.2	47	F-1767	4.14	36
C-4399	6.12	16	D-4838	5.6	46	D-5278	1.4	46	F-1767	4.16	36
C-4399	6.2	35	D-4838	5.8	22	D-5278	2.4	57	F-1767	4.2	32
C-4399	6.4	28	D-4838	6.12	33	D-5278	2.5	20	F-1767	4.4	32
C-4399	8.2	5	D-4838	6.2	69	D-5278	4.10	48	F-1767	4.6	32
C-4400	6.12	14	D-4838	6.4	50	D-5278	4.12	48	F-1767	4.8	36
C-4400	6.2	31	D-4838	8.2	27	D-5278	4.14	48	F-1767	5.4	49
C-4400	6.4	21	D-4838	9.2	7	D-5278	4.16	48	F-1767	6.2	55

## Cross Reference Index

Part No.	Page	Item	Part No.	Page	Item	Part No.	Page	Item	Part No.	Page	Item
F-1767	6.4	33	N11905	4.12		N14244	5.3	13	N15105	4.14	10
F-3056	2.4	69	N11905	4.12	21	N14247	5.3	15	N15105	4.16	10
F-3405	1.10	52	N11905	4.14		N14248	5.3	18	N15105	4.2	10
F-3405	1.12	29	N11905	4.14	21	N14249	5.3	14	N15105	4.4	10
F-3405	1.2	56	N11905	4.16		N15010	5.3	25	N15105	4.6	10
F-3405	1.4	62	N11905	4.16	21	N15018	5.4	48	N15105	4.8	10
F-3405	1.6	60	N11905	4.2		N15023	6.12	7	N15107	4.10	16B
F-3405	1.8	24	N11905	4.2	21	N15023	6.2	11	N15107	4.12	16B
F-3405	6.10	46	N11905	4.4		N15023	6.4	7	N15107	4.14	16B
F-3405	6.6	46	N11905	4.4	21	N15024	6.12	2	N15107	4.16	16B
F-4560	6.12	8	N11905	4.6	21	N15024	6.2	9	N15107	4.2	16B
F-4560	6.2	15	N11905	4.8		N15024	6.4	4	N15107	4.4	16B
F-4560	6.4	9	N11905	4.8	21	N15024	6.6	22	N15107	4.6	16B
F-4642	8.1	6	N11907	4.10	22	N15024	6.9	22	N15107	4.8	16B
H10462	1.8	13	N11907	4.12		N15032	6.12	15	N15114	2.5	21
H18267	8.2	1	N11907	4.12	22	N15032	6.2	37	N15123	4.10	15C
H18268	2.6	9	N11907	4.14		N15032	6.4	29	N15123	4.12	15C
H21317	8.1	3	N11907	4.14	22	N15033	6.12	13	N15123	4.14	15C
H21318	8.1	5	N11907	4.16		N15033	6.2	33	N15123	4.16	15C
H21319	8.1	4	N11907	4.16	22	N15033	6.4	20	N15123	4.2	15C
H21320	8.1	2	N11907	4.2		N15041	8.2	2	N15123	4.4	15C
H21323	8.1	1	N11907	4.2	22	N15049	1.8	12	N15123	4.6	15C
H-4584	2.3	39	N11907	4.4		N15053	5.3	30	N15123	4.8	15C
K-3820	1.4	60	N11907	4.4	22	N15096	4.2	29	N15135	4.10	17
K-3830	1.2	29	N11907	4.6	22	N15096	4.4	29	N15135	4.12	17
K-3830	4.10	38	N11907	4.8		N15096	4.6	29	N15135	4.14	17
K-3830	4.12	38	N11907	4.8	22	N15096	5.3	36	N15135	4.16	17
K-3830	4.14	38	N13900	1.4	21	N15097	4.10	30A	N15135	4.2	17
K-3830	4.16	38	N13901	5.6	28	N15097	4.12	30A	N15135	4.4	17
K-3830	4.2	34	N13901	5.7	9	N15097	4.14	30A	N15135	4.6	17
K-3830	4.4	34	N13901	6.12	20	N15097	4.16	30A	N15135	4.8	17
K-3830	4.6	34	N13901	6.2	44	N15097	4.2	28A	N15136	4.10	15A
K-3830	4.8	38	N13926	1.8	8	N15097	4.4	28A	N15136	4.12	15A
M-3388	1.2	49	N13950	3.2	3	N15097	4.6	28A	N15136	4.14	15A
M-3388	1.4	48	N13951	1.12	15	N15097	4.8	30A	N15136	4.16	15A
M-3388	2.4	70	N13951	3.2	4	N15098	4.10	30	N15136	4.2	15A
M-3388	2.5	29	N13952	3.2	5	N15098	4.12	30	N15136	4.4	15A
M-3388	5.7	22	N13953	3.2	11	N15098	4.14	30	N15136	4.6	15A
N11572	1.12	28	N13954	1.12	16	N15098	4.16	30	N15136	4.8	15A
N11575	1.12	35	N13954	3.2	6	N15098	4.2	28	N15137	4.10	15B
N11673	1.2	27	N13955	3.2	7	N15098	4.4	28	N15137	4.12	15B
N11673	1.4	26	N13956	3.2	8	N15098	4.6	28	N15137	4.14	15B
N11673	4.10	23	N13957	1.12	18	N15098	4.8	30	N15137	4.16	15B
N11673	4.12	23	N13957	3.2	10	N15102	4.10	18	N15137	4.2	15B
N11673	4.14	23	N13958	3.2	12	N15102	4.12	18	N15137	4.4	15B
N11673	4.16	23	N13959	1.12	17	N15102	4.14	18	N15137	4.6	15B
N11673	4.2	23	N13959	3.2	9	N15102	4.16	18	N15137	4.8	15B
N11673	4.4	23	N13962	1.12	27	N15102	4.2	18	N15161	6.6	27
N11673	4.6	23	N13962	3.2	13	N15102	4.4	18	N15161	6.9	27
N11673	4.8	23	N13963	3.2	1	N15102	4.6	18	N15196	6.12	22
N11905	1.2	25	N13964	3.2	2	N15102	4.8	18	N15410	5.3	3
N11905	1.4	23	N13965	3.2	15	N15105	4.10	10	N15462	6.6	21
N11905	4.10	21	N13968	3.2	17	N15105	4.12	10	N15462	6.9	21

## Cross Reference Index

Part No.	Page	Item	Part No.	Page	Item	Part No.	Page	Item	Part No.	Page	Item
N15594	4.10	16C	N15982	6.6	11	N16504	4.10	31	N17217	6.9	25
N15594	4.12	16C	N15982	6.9	11	N16504	4.12	31	N17232	6.6	37
N15594	4.14	16C	N15983	6.10	49	N16504	4.14	31	N17232	6.9	37
N15594	4.16	16C	N15983	6.6	49	N16504	4.16	31	N19000	4.10	
N15594	4.2	16C	N15991	5.6	16	N16504	4.8	31	N19000	4.12	
N15594	4.4	16C	N15991	5.8	5	N16507	4.10	25	N19000	4.14	
N15594	4.6	16C	N15991	6.2	20	N16507	4.12	25	N19000	4.16	
N15594	4.8	16C	N15991	6.4	14	N16507	4.14	25	N19000	4.2	
N15595	4.10	16A	N16024	3.1	1	N16507	4.16	25	N19000	4.4	
N15595	4.12	16A	N16024	3.1	1	N16507	4.8	25	N19000	4.6	
N15595	4.14	16A	N16025	3.1	2	N16555	9.2	3	N19000	4.8	
N15595	4.16	16A	N16025	3.1	2	N16563	9.2	14	N19002	5.4	
N15595	4.2	16A	N16028	1.12	4	N16564	9.2	15	N19007	5.3	33
N15595	4.4	16A	N16030	1.12	5	N16565	9.2	2	N19008	5.3	34
N15595	4.6	16A	N16032	1.12	6	N16608	5.6	6	N19009	5.3	37
N15595	4.8	16A	N16113	2.3	22	N16608	5.7	7	N19010	5.3	38
N15715	5.3	39	N16146	6.12	11	N16608	6.12	5	N19014	2.3	20
N15716	1.2		N16156	2.3	36	N16608	6.2	8	N19015	9.2	12
N15716	1.2	23	N16181	5.8	4	N16608	8.2	8	N19019	5.4	
N15716	1.4	20	N16181	6.4	10	N16621	5.6	45	N19020	6.10	
N15716	4.10	26	N16226	1.10	32	N16621	5.8	21	N19023	5.4	
N15716	4.12		N16226	1.6	34	N16621	6.2	68	N19023	5.6	
N15716	4.12	26	N16257	8.2	12	N16621	6.4	49	N19023	5.8	
N15716	4.14		N16263	5.6	1	N16634	5.3	21	N19023	6.2	
N15716	4.14	26	N16263	5.8	1	N16689	4.10	24	N19023	6.4	
N15716	4.16		N16263	6.2	1	N16689	4.12	24	N19024	2.3	1
N15716	4.16	26	N16263	6.4	1	N16689	4.14	24	N19024	2.5	2
N15716	4.2		N16263	7.2		N16689	4.16	24	N19025	1.2	
N15716	4.2	24	N16265	5.6	2	N16689	4.8	24	N19025	1.4	
N15716	4.4		N16265	5.8	2	N16698	1.2	52	N19028	1.10	
N15716	4.4	24	N16265	6.2	2	N16698	1.4	52	N19028	1.6	
N15716	4.6		N16265	6.4	2	N16708	7.2	1	N19028	1.8	
N15716	4.6	24	N16346	5.6	49	N16709	7.1	2	N19029	1.10	
N15716	4.8		N16346	6.2	72	N16709	7.2	2	N19029	1.6	
N15716	4.8	26	N16359	5.6	21	N16710	7.2	3	N19029	1.8	
N15716	5.3	31	N16359	5.8	9	N16711	7.1	4	N19030	4.10	28
N15757	2.4	59	N16359	6.2	29	N16711	7.2	4	N19030	4.12	28
N15930	4.10	29	N16359	6.4	22	N16712	7.2	5	N19030	4.14	28
N15930	4.12	29	N16388	5.6	20	N16818	2.3		N19030	4.16	28
N15930	4.14	29	N16388	5.8	11	N16819	2.3	29	N19030	4.2	26
N15930	4.16	29	N16388	6.2	27	N16820	2.3		N19030	4.4	26
N15930	4.2	27	N16388	6.4	26	N16826	2.3		N19030	4.6	26
N15930	4.4	27	N16399	5.6	8	N16828	2.3	30	N19030	4.8	28
N15930	4.6	27	N16399	5.8	8	N16862	2.3	10	N19031	6.2	
N15930	4.8	29	N16399	6.2	12	N16862	2.6	1	N19031	6.4	
N15951	9.2	17	N16399	6.4	8	N16890	2.4	66	N19032	6.10	
N15953	1.2	17	N16454	5.8	6	N16890	2.6	4	N19033	6.10	
N15953	1.4	17	N16454	6.4	16	N16891	2.4	73	N19034	6.10	
N15956	5.4		N16469	9.2	11	N16891	2.6	4A	N19039	4.2	1
N15957	5.4		N16470	9.2	10	N16893	2.4	67	N19039	4.4	1
N15982	6.12	1	N16471	9.2	9	N16893	2.6	6	N19039	4.6	1
N15982	6.2	3	N16473	9.2	8	N16903	2.3	21	N19040	2.5	9
N15982	6.4	3	N16474	9.2	18	N17217	6.6	25	N19042	4.14	1

## Cross Reference Index

Part No.	Page	Item	Part No.	Page	Item	Part No.	Page	Item	Part No.	Page	Item
N19042	4.2	1A	N19169	3.1	6	N19289	4.2	3	N19373	2.4	68
N19042	4.4	1A	N19169	3.1	6	N19289	4.4	3	N19375	5.3	5
N19042	4.6	1A	N19170	3.1	7	N19295	5.3	4	N19379	5.4	45
N19042	4.8	1	N19170	3.1	7	N19299	1.2		N19380	5.3	6
N19049	1.10	7	N19171	3.1	9	N19299	1.4		N19382	1.6	24
N19049	1.6	3	N19171	3.1	9	N19307	1.10	57	N19388	5.3	9
N19051	1.10	9	N19172	3.1	8	N19307	1.6	65	N19390	4.14	3
N19051	1.6	5	N19172	3.1	8	N19308	5.3	11	N19390	4.8	3
N19054	1.6	6	N19173	3.1	3A	N19309	2.3	7	N19395	4.10	6
N19055	1.10	31	N19173	3.1	3A	N19310	2.3	6	N19395	4.12	6
N19055	1.6	33	N19174	3.1	3	N19312	5.3	16	N19395	4.14	6
N19063	6.6	1	N19190	6.6	4	N19314	5.3	24	N19395	4.16	6
N19064	2.7	3	N19195	6.6	10	N19315	1.6		N19395	4.2	6
N19064	2.8	5	N19195	6.9	10	N19316	5.3	20	N19395	4.4	6
N19065	1.10	48	N19196	1.6	4	N19317	5.3	23	N19395	4.6	6
N19065	1.6	55	N19203	1.10	11	N19318	5.3	22	N19395	4.8	6
N19070	2.5	7	N19203	1.6	7	N19327	5.3	7	N19398	4.10	7
N19072	5.3	26	N19211	1.2	15	N19333	1.2		N19398	4.12	7
N19075	2.5	16	N19211	1.4	15	N19334	5.3	10	N19398	4.14	7
N19076	2.5	15	N19217	1.2	9	N19335	5.6	9	N19398	4.16	7
N19077	2.5	14	N19219	2.3	24	N19335	6.2	13	N19398	4.2	7
N19080	4.12	2	N19220	2.3	18	N19336	6.2	28	N19398	4.4	7
N19080	4.16	2	N19223	2.3	25	N19337	6.2	39	N19398	4.6	7
N19080	4.2	2	N19224	2.3	16	N19337	6.4	30	N19398	4.8	7
N19080	4.4	2	N19225	2.3	26	N19338	6.2	38	N19405	4.10	15
N19083	6.6	2	N19230	2.3	40	N19339	6.2	36	N19405	4.12	15
N19084	5.4	66	N19232	2.3	34	N19340	6.2	10	N19405	4.14	15
N19084	7.1	23	N19233	2.3	2	N19340	6.4	5	N19405	4.16	15
N19085	2.7		N19237	2.3	31	N19341	6.2	32	N19405	4.2	15
N19100	1.2		N19237	2.7	1	N19341	6.4	23	N19405	4.4	15
N19105	1.2	6	N19237	2.8	3	N19342	5.6	15	N19405	4.6	15
N19105	1.4	7	N19239	2.3	5	N19342	6.2	21	N19405	4.8	15
N19108	1.2	12	N19241	2.3	3	N19343	5.6	13	N19406	4.10	16
N19108	1.4	12	N19244	2.3	8	N19343	6.2	18	N19406	4.12	16
N19109	1.2	13	N19256	2.3	9	N19344	5.6	12	N19406	4.14	16
N19109	1.4	13	N19258	2.3	23	N19344	6.2	17	N19406	4.16	16
N19113	1.2	10	N19259	2.3	19	N19345	6.12	10	N19406	4.2	16
N19113	1.4	11	N19261	2.3	12	N19345	6.2	22	N19406	4.4	16
N19120	1.2		N19261	2.8	1	N19346	5.6	18	N19406	4.6	16
N19121	1.2	26	N19263	2.3	11	N19346	6.2	25	N19406	4.8	16
N19121	1.4	25	N19266	2.5	28	N19348	5.6	23	N19407	2.5	8
N19127	1.2	38	N19267	2.5	28A	N19350	5.3	1	N19409	4.10	9
N19127	1.4	37	N19268	2.5	27	N19352	1.6		N19409	4.12	9
N19140	1.2	3	N19269	2.5		N19357	5.6	3	N19409	4.14	9
N19150	1.6	1	N19270	2.3	4	N19357	6.2	4	N19409	4.16	9
N19160	1.6	2	N19278	2.3	15	N19365	6.4	13	N19409	4.2	9
N19166	1.10	4	N19280	5.4		N19366	1.2	28	N19409	4.4	9
N19166	1.6	11	N19282	5.4		N19366	1.4	27	N19409	4.6	9
N19166	1.8	4	N19283	2.3	42	N19368	1.10	33	N19409	4.8	9
N19167	3.1	4	N19283	2.7	7	N19368	1.6	35	N19410	4.10	8
N19167	3.1	4	N19288	2.3	13	N19369	5.3	2	N19410	4.12	8
N19168	3.1	5	N19289	4.12	3	N19369	7.1		N19410	4.14	8
N19168	3.1	5	N19289	4.16	3	N19372	9.2	6	N19410	4.16	8

## Cross Reference Index

Part No.	Page	Item	Part No.	Page	Item	Part No.	Page	Item	Part No.	Page	Item
N19410	4.2	8	N19460	2.7	5	N19531	4.4	11	N19693	4.6	3
N19410	4.4	8	N19460	2.8	10	N19531	4.6	11	N19695	1.2	14
N19410	4.6	8	N19463	7.1	9	N19531	4.8	11	N19695	1.4	14
N19410	4.8	8	N19470	2.6	2	N19536	1.4	22	N19700	4.12	1A
N19423	1.6	38	N19472	2.6	3	N19546	5.8	3	N19700	4.14	1A
N19432	6.2	67	N19473	2.7	2	N19546	6.4	6	N19700	4.16	1A
N19434	5.6	14	N19473	2.8	7	N19548	5.7	2	N19700	4.2	1B
N19434	6.2	19	N19475	5.6	19	N19549	6.4	27	N19700	4.4	1B
N19437	1.2	22	N19475	6.2	26	N19560	5.7	8	N19700	4.6	1B
N19437	1.4	19	N19476	5.3		N19563	1.2	24	N19700	4.8	1A
N19440	1.2	1	N19477	1.2		N19564	7.1	21	N19703	6.4	11
N19442	5.6	11	N19477	1.4		N19565	7.1	7	N19705	6.4	17
N19442	6.2	16	N19478	1.2		N19573	4.10	13	N19706	2.4	52
N19443	5.6	17	N19478	1.4		N19573	4.12	13	N19706	2.7	8
N19443	6.2	24	N19479	5.3	8	N19573	4.14	13	N19706	2.8	14
N19448	1.10	18	N19480	6.6	12	N19573	4.16	13	N19708	3.1	1
N19448	1.6	18	N19480	6.9	12	N19573	4.2	13	N19708	3.1	1A
N19448	4.10	12	N19481	6.6		N19573	4.4	13	N19708	3.1	1A
N19448	4.12	12	N19482	1.12	23	N19573	4.6	13	N19709	3.1	2
N19448	4.14	12	N19484	1.12	32	N19573	4.8	13	N19709	3.1	2A
N19448	4.16	12	N19484	3.1	13	N19577	2.3	37	N19709	3.1	2A
N19448	4.2	12	N19484	3.1	13	N19577	2.8	9	N19712	4.14	2A
N19448	4.4	12	N19490	1.2		N19578	5.6	22	N19712	4.8	2A
N19448	4.6	12	N19490	2.5	1	N19578	5.8	10	N19713	6.2	7
N19448	4.8	12	N19496	1.2	7	N19578	6.2	30	N19713	6.4	31
N19449	4.10	27	N19496	1.4	8	N19578	6.4	24	N19715	4.12	5B
N19449	4.12		N19498	7.1	3	N19584	1.6	12	N19715	4.8	5B
N19449	4.12	27	N19499	7.1	1	N19586	3.1	11	N19717	1.10	19
N19449	4.14		N19500	7.1	5	N19586	3.1	11	N19717	1.6	19
N19449	4.14	27	N19501	7.1	8	N19586	3.1	11	N19717	4.10	14
N19449	4.16		N19502	7.1	6	N19590	2.4	60	N19717	4.12	14
N19449	4.16	27	N19505	7.1	18	N19591	2.4	61	N19717	4.14	14
N19449	4.2		N19510	4.14	2	N19596	1.12	19	N19717	4.16	14
N19449	4.2	25	N19510	4.8	2	N19599	9.2	13	N19717	4.2	14
N19449	4.4		N19520	5.3	27	N19659	5.3	17	N19717	4.4	14
N19449	4.4	25	N19521	4.12	5	N19660	5.3	28	N19717	4.6	14
N19449	4.6		N19521	4.2	5	N19677	5.3	12	N19717	4.8	14
N19449	4.6	25	N19521	4.8	5	N19686	1.2	2	N19723	5.3	32
N19449	4.8		N19522	4.12	5A	N19686	1.4	5	N19726	1.2	8
N19449	4.8	27	N19522	4.2	5A	N19686	2.5		N19726	1.4	9
N19450	9.2	4	N19522	4.6	5	N19687	2.3		N19727	3.1	10
N19451	5.6	17A	N19522	4.8	5A	N19687	2.5		N19727	3.1	10
N19451	6.2	24A	N19523	5.6	10	N19690	4.10	2	N19736	6.6	9
N19451	6.4	11A	N19523	6.2	14	N19690	4.12	2A	N19736	6.9	9
N19452	5.6	11A	N19526	2.5	10	N19690	4.16	2A	N19737	6.6	8
N19452	6.2	16A	N19527	2.5	11	N19690	4.2	2A	N19737	6.9	8
N19452	6.4	17A	N19528	2.5	12	N19690	4.4	2A	N19741	6.6	7
N19454	6.12	12	N19529	2.5	13	N19690	4.6	2	N19741	6.9	7
N19458	5.6	26	N19531	4.10	11	N19693	4.10	3	N19742	6.6	3
N19458	5.7	10	N19531	4.12	11	N19693	4.12	3A	N19744	6.6	26
N19458	6.12	19	N19531	4.14	11	N19693	4.16	3A	N19745	6.6	24
N19458	6.2	45	N19531	4.16	11	N19693	4.2	3A	N19745	6.9	24
N19460	2.3	35	N19531	4.2	11	N19693	4.4	3A	N19757	1.2	5

## Cross Reference Index

Part No.	Page	Item	Part No.	Page	Item	Part No.	Page	Item	Part No.	Page	Item
N19757	1.4	6	N21300	1.10	3	N21717	1.12	13	N24302	9.2	
N19760	2.3		N21300	1.12	3	N21718	1.12	14	N24391	9.2	
N19762	2.6		N21336	5.3		N21719	5.6	48	N24392	9.2	
N19766	1.6		N21396	5.3		N21719	6.2	71	N24396	4.10	39
N19777	6.6	18	N21403	5.4		N21720	5.6	47	N24396	4.12	39
N19777	6.9	18	N21407	5.3		N21720	6.2	70	N24396	4.14	39
N19778	6.10		N21408	5.4		N21721	6.12		N24396	4.16	39
N19778	6.6		N21409	5.4		N21721	6.2		N24396	4.2	35
N19784	6.6	5	N21450	1.2	53	N21726	2.4		N24396	4.4	35
N19784	6.9	5	N21450	1.4	54	N21726	2.6	5	N24396	4.6	35
N19788	6.6	6	N21475	1.2	19	N21728	1.12	33	N24396	4.8	39
N19788	6.9	6	N21475	1.4	59	N21735	6.9	4	N24412	1.10	
N19789	4.14	3A	N21520	9.2	21	N21736	6.9	3	N24412	1.6	
N19789	4.8	3A	N21538	2.4	A	N21742	2.3		N24412	1.8	
N19791	1.2	20	N21538	2.6	A	N21743	2.3		N24421	6.6	19
N19791	1.4	53	N21539	2.4	B	N21753	5.3		N24421	6.9	19
N19794	1.6	28	N21539	2.6	B	N21754	4.6	48	N24582	9.2	
N19795	1.6	15	N21540	9.2	A	N21763	4.10	1	N24583	2.6	5A
N19796	1.6	39	N21541	9.2	B	N21763	4.12	1	N24583	9.2	
N19866	1.8	9	N21592	1.10	26	N21763	4.16	1	N24667	1.6	8
N20387	2.6		N21592	1.6	25	N21764	4.10	51	N24667	1.8	7
N20388	2.6		N21602	2.5	25	N21764	4.12	51	N24668	2.3	
N20772	1.10		N21604	1.2		N21764	4.16	4	N24685	1.6	9
N21008	1.6	29	N21604	1.4		N21765	4.12	52	N24686	1.6	10
N21024	2.3		N21612	2.5	26	N21767	1.10	16A	N24687	1.8	1
N21062	9.2	1	N21632	5.6	27	N22494	1.10	12	N24688	9.2	
N21076	6.10	56	N21632	6.2	46	N22711	5.3		N24690	1.2	54
N21077	6.6	2A	N21633	5.4	67	N22760	2.5	10	N24690	1.4	55
N21078	6.9		N21653	9.2	19	N22761	2.5	11	N24711	1.4	10
N21079	6.9	2A	N21654	9.2	20	N22763	2.5	12	N24749	9.2	
N21081	2.8	4	N21655	9.2		N22763	2.5	13	N24750	1.4	1
N21121	9.2	16	N21656	9.2		N22777	2.4	63	N24751	1.4	2A
N21122	9.2	25	N21659	2.5	6	N22778	2.4	71	N24752	1.4	2
N21164	4.10	50	N21671	9.2	24	N22778	6.10	43	N24770	1.10	1
N21170	5.4		N21679	4.10	4	N22778	6.6	43	N24770	1.12	1
N21184	9.2	5	N21679	4.12	4	N22793	1.10	13	N24774	2.3	
N21197	2.5	23	N21679	4.2	4	N22793	1.6	21	N24775	1.10	22
N21198	2.5	22	N21679	4.8	4	N22794	1.6	20	N24779	2.4	74
N21199	2.5		N21687	1.10	16	N22797	1.10	14	N24780	2.3	
N21200	1.2		N21687	1.6	16	N22797	1.6	22	N24781	1.10	25
N21210	1.2	1A	N21690	5.6	4	N22799	6.6	17	N24782	2.3	
N21235	4.12	4A	N21690	6.12	3	N22799	6.9	17	N24785	1.10	20
N21235	4.6	4	N21690	6.2	5	N22800	1.10		N24786	1.10	21
N21235	4.8	4A	N21691	5.6	5	N22800	1.6		N24792	1.4	4
N21240	1.4	3	N21691	6.12	4	N22802	6.6	20	N24958	5.3	11A
N21266	1.2	42	N21691	6.2	6	N22802	6.9	20	N25460	1.12	10
N21266	1.4	40	N21691	8.2	11	N22809	6.6	13	N25462	1.12	
N21287	2.6		N21709	1.12	8	N22809	6.9	13	N25463	1.12	36
N21288	2.3		N21710	1.10	2	N22817	2.5	4	N25465	1.12	11
N21293	6.6	14	N21710	1.12	2	N22818	2.5	3	N25475	1.10	6
N21293	6.9	14	N21711	1.12	9	N24301	1.10		N25479	3.2	3A
N21294	6.6	15	N21712	1.12	7	N24301	1.6		N25539	6.9	1
N21294	6.9	15	N21716	1.12	12	N24301	1.8		N25544	6.9	2

## Cross Reference Index

Part No.	Page	Item	Part No.	Page	Item	Part No.	Page	Item	Part No.	Page	Item
N25545	1.4	56	R480029	4.16	19	S-752	6.6	53	W-469	7.1	12
N25546	1.2	55A	R480029	4.2	19	S-776	1.4	36	W-469	7.2	6
N25547	1.2	55	R480029	4.4	19	S-776	5.3	43	W-469	8.2	14
N25548	1.4	57	R480029	4.6	19	S-776	5.6	34	W-469	9.2	22
N25549	1.4	57A	R480029	4.8	19	S-776	6.2	48	W-470	6.6	29
N25590	4.10	5	R480031	5.3	29	S-951	1.10	41	W-470	6.9	29
N25590	4.12	50	R480034	1.10	17	S-951	1.6	45	W-472	1.2	31
N25590	4.14	5	R480034	1.6	17	W-1002	6.10	50	W-472	1.4	29
N25590	4.16	5	R480034	4.10	20	W-1002	6.6	50	W-473	1.2	32
N25590	4.8	50	R480034	4.12	20	W-131	6.10	51	W-473	8.2	15
N25595	6.10	54	R480034	4.14	20	W-131	6.6	51	W-475	1.4	30
N25600	6.10	53	R480034	4.16	20	W14504	6.6	36	W-475	4.10	35
N25605	6.9	26	R480034	4.2	20	W14504	6.9	36	W-475	4.12	35
N25616	3.1	1A	R480034	4.4	20	W-1540	2.3	47	W-475	4.2	31
N25644	6.4	15	R480034	4.6	20	W-1552	7.1	11	W-475	4.6	31
N25667	1.2	4	R480034	4.8	20	W-1552	7.2	7	W-475	4.8	35
N25668	6.9		R480069	5.3		W-1558	1.2	18	W-475	5.4	47
N25670	1.10	10	R480070	5.3	35	W-1558	1.4	24	W-475	5.7	13
N25671	1.10	8	S10730	2.4	62	W-1628	1.10	30	W-475	6.6	31
N25674	1.10	58	S10730	2.7	4	W-1628	1.6	32	W-475	6.9	31
N25675	1.2	11	S10730	2.8	8	W-1663	2.3	14	W-476	1.12	26
N25675	1.4	58	S-1115	1.6	27	W-1663	2.8	11	W-476	7.1	14
N25676	1.2		S-1189	1.10	39	W-1854	2.3	44	W-477	1.4	31
N25676	1.4		S-1189	1.6	43	W-187	5.4	46	W-477	2.5	17
N25682	6.9		S-1198	2.4	72	W-187	5.8	12	W-477	5.4	
N25686	6.9		S-1198	4.10	41	W-187	6.4	36	W-478	1.2	34
N25689	6.9		S-1198	4.12	41	W-187	8.2	16	W-478	1.4	33
N25710	1.4		S-1198	4.14	41	W-3022	6.12	34	W-479	1.2	35
N25711	1.4		S-1198	4.16	41	W-3328	3.1	15	W-479	1.4	34
N25712	1.4		S-1198	4.8	41	W-3328	3.1	15	W-479	6.12	23
N25726	1.4		S-1198	6.6	38	W-3328	3.1	15	W-479	6.2	51
N25741	6.9		S-1198	6.9	38	W-414	4.10	46	W-479	6.4	37
N25744	1.8	3	S-1292	1.2	51	W-414	4.12	46	W-480	1.10	37
N25745	1.8	2	S-1292	1.4	51	W-414	4.14	46	W-480	1.6	41
N25753	6.9		S-1299	8.2	19	W-414	4.16	46	W-486	7.1	10
N25754	5.6	50	S-1303	6.2	53	W-414	4.8	46	W-486	8.1	7
N25754	6.2	73	S-1303	6.4	35	W-469	1.12	20	W-488	1.8	15
N25755	3.2	1A	S13337	5.6	31	W-469	2.3	48	W-488	5.3	42
N25986	9.2	C	S13337	6.2	52	W-469	2.6	8	W-489	5.6	35
N28332	5.7	12	S-1379	8.2	7	W-469	4.10	37	W-489	5.8	13
N620025	4.10	32	S-1925	1.2	44	W-469	4.12	37	W-489	6.2	47
N620025	4.12	32	S-4781	2.6	10	W-469	4.14	37	W-489	6.4	38
N620025	4.2	47	S-5762	2.3	17	W-469	4.16	37	W-490	1.2	37
N620025	4.6	47	S-5775	2.7	11	W-469	4.2	33	W-491	6.6	32
N620025	4.8	32	S-5775	2.8	6	W-469	4.4	33	W-491	6.9	32
P131851C	1.8	28	S-745	2.3	45	W-469	4.6	33	W-493	1.12	21
P131851C	2.4	64	S-747	7.1	15	W-469	4.8	37	W-493	6.6	33
R480029	1.2		S-747	7.2	8	W-469	5.6	30	W-493	6.9	33
R480029	1.2	21	S-751	1.4	43	W-469	5.7	11	W-494	1.10	40
R480029	1.4	18	S-752	2.4	65	W-469	6.12	21	W-494	1.6	44
R480029	4.10	19	S-752	2.5	5	W-469	6.2	56	W-494	1.8	16
R480029	4.12	19	S-752	3.2	18	W-469	6.6	28	W-496	4.10	33
R480029	4.14	19	S-752	6.10	55	W-469	6.9	28	W-496	4.12	33

## Cross Reference Index

Part No.	Page	Item	Part No.	Page	Item	Part No.	Page	Item	Part No.	Page	Item
W-496	4.14	33	W-514	6.2	64	W-521	8.2	21	W-525	6.4	42
W-496	4.16	33	W-514	6.4	45	W-522	1.2	39	W-525	7.1	16
W-496	4.2	30	W-514	6.6	44	W-522	1.4	39	W-525	8.1	9
W-496	4.4	30	W-514	8.2	26	W-522	1.6	49	W-526	1.10	46
W-496	4.6	30	W-515	5.4	61	W-522	2.5	19	W-526	1.12	25
W-496	4.8	33	W-516	1.10	51	W-522	5.6	37	W-526	1.6	53
W-497	1.6	46	W-516	1.2	50	W-522	5.7	16	W-526	2.4	50
W-497	5.8	14	W-516	1.4	50	W-522	6.12	26	W-526	2.8	16
W-497	6.4	39	W-516	1.6	59	W-522	6.2	60	W-526	5.8	17
W-499	1.12	22	W-516	1.8	23	W-522	6.4	40	W-526	6.4	43
W-500	1.6	47	W-516	2.4	55	W-522	8.2	22	W-526	8.1	8
W-501	2.3	38	W-516	4.10	45	W-523	1.10	44	W-527	1.10	54
W-501	2.8	13	W-516	4.12	45	W-523	1.4	42	W-527	1.6	54
W-512	4.10	49	W-516	4.14	45	W-523	1.6	51	W-527	1.8	20
W-512	4.12	49	W-516	4.16	45	W-523	2.4	53	W-535	6.10	48
W-512	4.14	49	W-516	4.2	41	W-523	2.5	24	W-535	6.6	48
W-512	4.16	49	W-516	4.4	41	W-523	2.7	9	W-538	5.6	38
W-512	4.2	45	W-516	4.6	41	W-523	2.8	15	W-538	5.7	17
W-512	4.4	45	W-516	4.8	45	W-523	4.10	43	W-538	6.12	28
W-512	4.6	45	W-516	5.4	60	W-523	4.12	43	W-538	6.2	59
W-512	4.8	49	W-516	5.6	44	W-523	4.14	43	W-538	6.6	39
W-512	5.6	41	W-516	5.8	19	W-523	4.16	43	W-538	6.9	39
W-512	5.7	19	W-516	6.2	62	W-523	4.2	39	W-539	6.6	41
W-512	6.12	29	W-516	6.4	47	W-523	4.4	39	W-539	6.9	41
W-512	6.2	66	W-516	7.1	19	W-523	4.6	39	W-541	5.4	51
W-512	7.1	20	W-516	8.1	11	W-523	4.8	43	W-544	7.1	13
W-512	7.2	10	W-517	1.10	53	W-523	5.4	55	W-558	1.10	29
W-512	8.2	24	W-517	1.6	61	W-523	5.6	39	W-565	5.3	40
W-513	1.2	46	W-517	2.4	54	W-523	5.7	18	W-575	1.12	31
W-513	1.4	45	W-517	2.8	18	W-523	5.8	15	W-575	5.4	59
W-513	1.6	56	W-517	5.8	20	W-523	6.12	27	W-619	1.2	33
W-513	5.6	42	W-517	6.4	48	W-523	6.2	58	W-619	1.4	32
W-513	5.7	20	W-517	8.1	10	W-523	6.4	41	W-619	8.2	17
W-513	6.12	30	W-518	1.10	47	W-523	6.6	40	W-629	1.6	66
W-513	6.2	65	W-518	1.12	30	W-523	6.9	40	W-7	1.8	11
W-513	6.4	44	W-518	1.6	62	W-523	8.2	23	W-793	2.3	49
W-513	8.2	25	W-518	1.8	25	W-524	5.4	53	W-867	6.6	30
W-514	1.10	49	W-520	1.8	26	W-525	1.10	45	W-867	6.9	30
W-514	1.4	47	W-521	1.12	24	W-525	1.6	52	W-907	6.10	47
W-514	1.6	57	W-521	4.10	44	W-525	1.8	19	W-907	6.6	47
W-514	2.4	56	W-521	4.12	44	W-525	2.4	51			
W-514	2.6	11	W-521	4.14	44	W-525	4.10	42			
W-514	2.7	10	W-521	4.16	44	W-525	4.12	42			
W-514	2.8	17	W-521	4.2	40	W-525	4.14	42			
W-514	4.2	42	W-521	4.4	40	W-525	4.16	42			
W-514	4.4	42	W-521	4.6	40	W-525	4.2	38			
W-514	4.6	42	W-521	4.8	44	W-525	4.4	38			
W-514	5.4	62	W-521	5.6	36	W-525	4.6	38			
W-514	5.6	43	W-521	5.7	15	W-525	4.8	42			
W-514	5.7	21	W-521	6.12	25	W-525	5.4	52			
W-514	5.8	18	W-521	6.2	61	W-525	5.6	40			
W-514	6.10	44	W-521	7.1	17	W-525	5.8	16			
W-514	6.12	31	W-521	7.2	9	W-525	6.2	57			



# MORRIS

Industries Ltd.

**Corporate Head Office:** 2131 Air Port Drive  
Saskatoon, Saskatchewan  
S7L 7E1 Canada  
Phone: (306) 933-8585  
Fax: (306) 933-8626

**Yorkton Main Office:** P.O. Box 5008, 85 York Road  
Yorkton, Saskatchewan  
S3N 3P2 Canada  
Phone: (306) 783-8585  
Fax: (306) 782-5250

**USA Head Office:** 4400 Burdick Expressway East  
Minot, North Dakota  
58701 USA.  
Phone: (701) 852-4171  
Fax: (701) 838-9444

It is the policy of Morris Industries Ltd. to improve its products whenever it is possible to do so. Morris reserves the right to make changes or add improvements at any time without incurring any obligation to make such changes on machines sold previously.

February, 1995

Printed in Canada