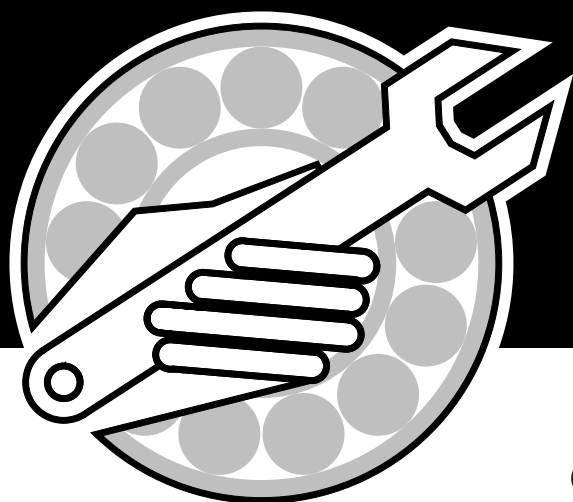




# Parts Manual



## 881 Hay Hiker

---

## **IMPORTANT:**

ALL ITEMS ARE IDENTIFIED WITH A PART NUMBER. Some of the smaller parts such as bolts, nuts, washers, etc. are not all shown, however, the quantity used are listed in the text for that section which they fit into. That particular quantity is always the quantity required for one complete assembly.

Smaller parts, which are welded together to construct a larger part, are not to be ordered as individual pieces, unless they have a part number to identify them.

Contact your nearest dealer for genuine repair parts. Dealers carry ample stock and are backed by the manufacturer and regional associations.

## **MORRIS PAINT**

### **Spray Cans:**

<b>Part Number</b>	<b>Description</b>
W-4647 .....	Red MORRIS Spray Can
W-4648 .....	Blue MORRIS Spray Can
N31087 .....	Sky White MORRIS Spray Can

### **Litre Cans:**

<b>Part Number</b>	<b>Description</b>
Z-10 .....	Red MORRIS Paint/Litre
Z-11 .....	Blue MORRIS Paint/Litre

---

# Table of Contents

---

<b>Section 1:</b>	
<b>Frame &amp; Hitch</b> .....	<b>1-1</b>
Frame & Hitch .....	1-2
Hitch Jack - From 2010 .....	1-4
Hitch Jack (1989 - 2009) .....	1-5
Hitch Jack (Prior to 1989) .....	1-6
<b>Section 2:</b>	
<b>Push Bar, Fork &amp; Drive</b> .....	<b>2-1</b>
Push Bar - Drive .....	2-2
Fork (4 ft Bale Mod) .....	2-4
Fork (1994 - Present) .....	2-6
Fork (Prior to 1994) .....	2-8
<b>Section 3:</b>	
<b>Axle &amp; Wheels</b> .....	<b>3-1</b>
Axles .....	3-2
Wheels .....	3-3
<b>Section 4:</b>	
<b>Hydraulics</b> .....	<b>4-1</b>
Hydraulics .....	4-2
(1994 - Present) .....	4-2
(1982 - 1993) .....	4-4
(Prior to 1982) .....	4-6
Cylinders .....	4-8
Check Valve (C-4066) .....	4-10
<b>Section 5:</b>	
<b>Lighting and Safety Signs</b> .....	<b>5-1</b>
Marking Lights .....	5-2
Safety Signs .....	5-4
<b>Section 6:</b>	
<b>Options</b> .....	<b>6-1</b>
Side Rail Kit .....	6-2
<b>Index</b> .....	<b>Index-i</b>

# Table of Contents

---

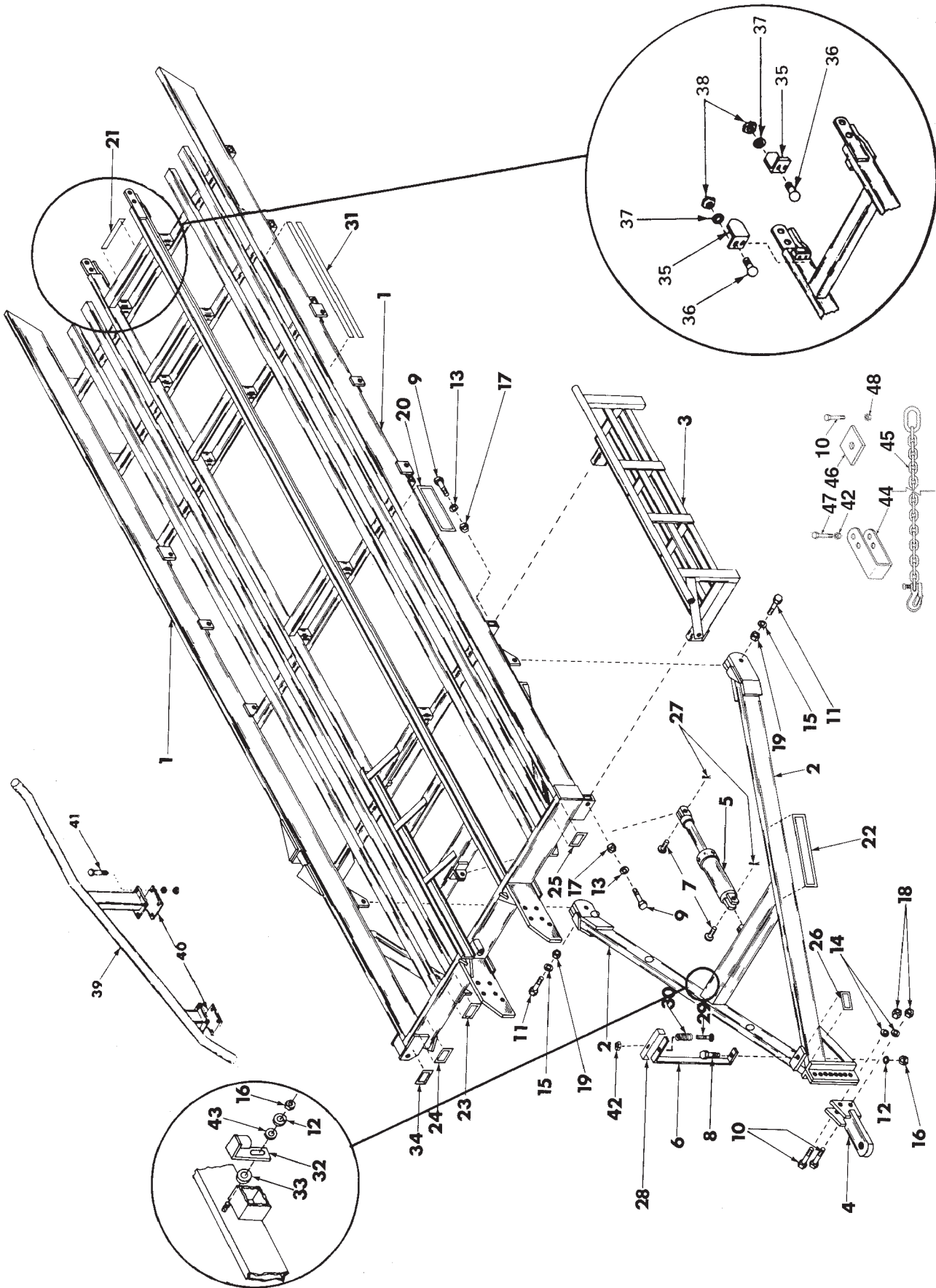
**Notes**

# Section 1: Frame & Hitch

## Section Contents

Frame & Hitch .....	1-2
Hitch Jack - From 2010 .....	1-4
Hitch Jack (1989 - 2009) .....	1-5
Hitch Jack (Prior to 1989) .....	1-6

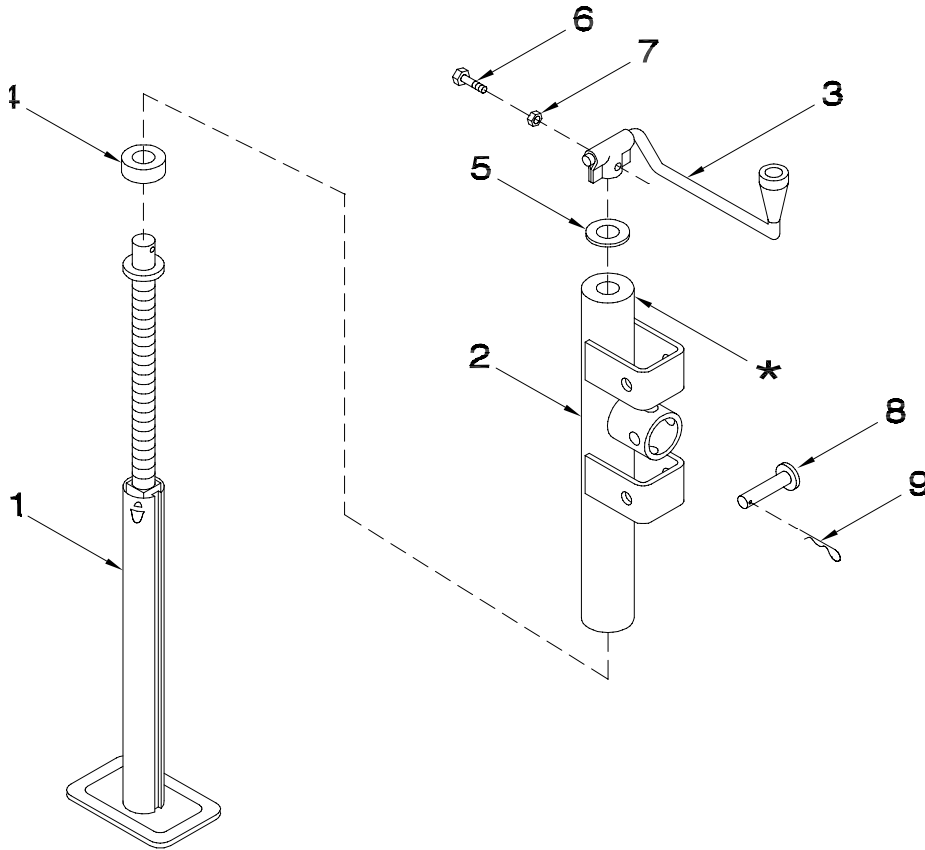
# Frame & Hitch



## Frame & Hitch

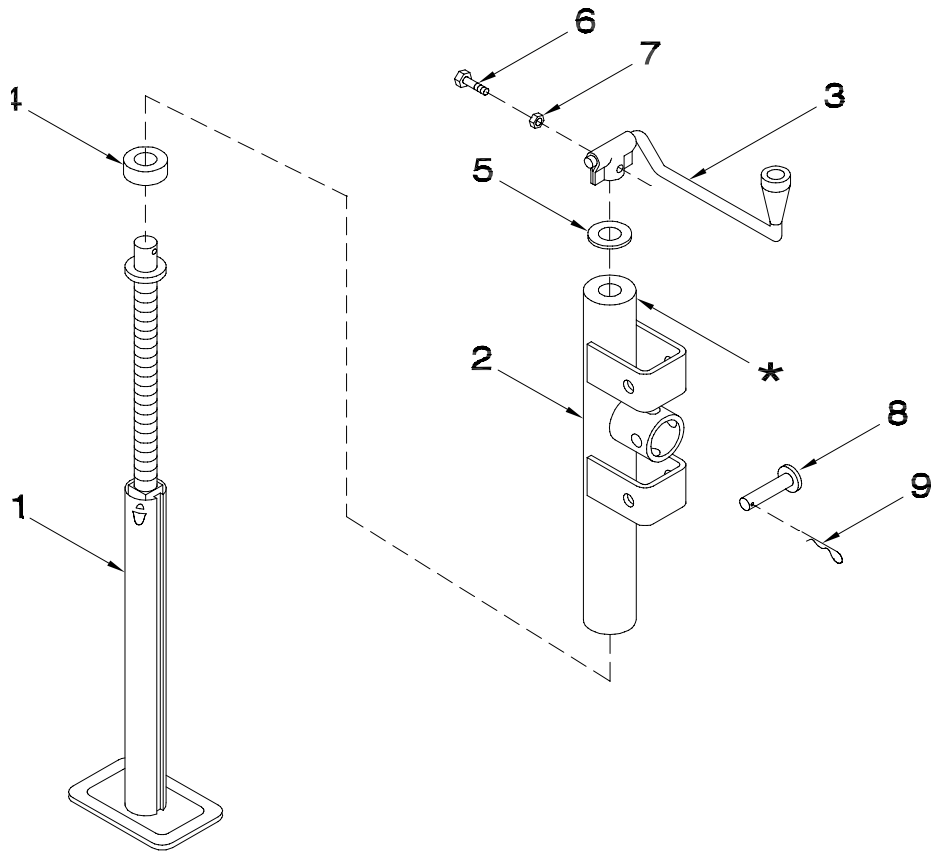
Item	Part No.	Description	Qty
1	K-5690	Main Frame (Prior to 2007) .....	1
	K40350	Main Frame - Extended (North America 2007 to Present) (International 2005 to Present) .....	1
2	K-3801	Main Hitch .....	1
3	K-5338	Bale Stop (Prior to 1997) .....	1
	K29170	Bale Stop (1997 to Present) .....	1
4	W-1039	Clevis (Bar Type) .....	1
	W-419	Clevis (Optional "U" Type) (Not Shown) .....	1
5	C-2040	Hydraulic Cylinder - 3 x 12 Lg .....	1
6	K-5345	Hose Holder .....	1
7	W-558	Pin - 1 Dia x 2 1/4 Lg .....	2
8	W-485	Hex Bolt - 1/2 x 1 1/4 Lg .....	1
9	W-480	Hex Bolt - 3/8 x 2 1/2 Lg .....	2
10	W-509	Hex Bolt - 3/4 x 2 1/2 Lg .....	3
11	K-5478	Hex Bolt - 1 x 3 1/2 Lg .....	2
12	W-525	Lockwasher - 1/2 .....	2
13	W-523	Lockwasher - 3/8 .....	2
14	W-527	Lockwasher - 3/4 .....	2
15	C-705	Lockwasher - 1 .....	2
16	W-516	Hex Nut - 1/2 .....	2
17	W-514	Hex Nut - 3/8 .....	2
18	W-518	Hex Nut - 3/4 .....	2
19	W-520	Hex Nut - 1 .....	2
20	K-5695	Decal - "Hay-Hiker 881" .....	2
21	H-1813	Decal - "MORRIS" - 1 x 9 Lg .....	1
22	C-3902	Decal - "MORRIS" - 3 x 27 Lg .....	2
23	N24301	Decal - "CAUTION - Read Operator's Manual" .....	1
24	C31201	Decal - "WARNING" .....	1
25	S-4785	Decal - "Caution Stand Clear" .....	1
26	C-4262	Decal - "Caution Never Remove" .....	1
27	W-4181	Cotter Pin - 1/4 x 2 Lg .....	2
28	K-5347	Hose Clamp .....	1
29	W-495	Hex Bolt - 1/2 x 4 Lg .....	1
30	K-5367	Hose Hanger Spring .....	1
31	K-5827	Decal - 3 1/2" Strip .....	8
32	K-5718	Relief Valve Cap (used on relief valve K-5686) .....	1
33	W-546	Washer - 1 1/8 x 14 Ga .....	1
34	K24212	Decal - "DANGER" .....	1
35	K11163	Hay Stripper .....	2
36	D-5259	Carriage Bolt - 5/16 x 3/4 Lg .....	4
37	W-522	Lockwasher - 5/16 .....	4
38	W-513	Hex Nut - 5/16 .....	4
39	K11166	Bale Divider (Optional) - Used on K-5690 Main Frame .....	1
	K40362	Bale Divider (Optional) - Used on K40350 Main Frame .....	
40	K11167	Clamp Plates (Optional) .....	2
41	W-493	Hex Bolt - 1/2 x 3 1/2 Lg (Optional) .....	8
42	F-3405	Locknut - 1/2 .....	2
43	W-539	Flatwasher - 1/2 .....	1
44	C18758	Centre Support .....	1
45	C18760	20,000 lb Safety Chain .....	1
46	C18757	Retainer Washer (Used on 20,000 lb Chain) .....	1
47	D-5519	Hex Bolt - 1/2 x 3 3/4 Lg .....	1
48	D-5275	Locknut - 3/4 .....	1
49	N34476	Reflector - Red (Not Shown) .....	2
50	N34477	Reflector - Amber (Not Shown) .....	6
51	N34478	Reflector - Orange (Not Shown) .....	2
	K11165	Bale Divider Kit (Optional - Includes Items 39, 40 & 41) Note: KITS MUST BE ORDERED THROUGH WHOLEGOODS	

## Frame & Hitch Hitch Jack - From 2010



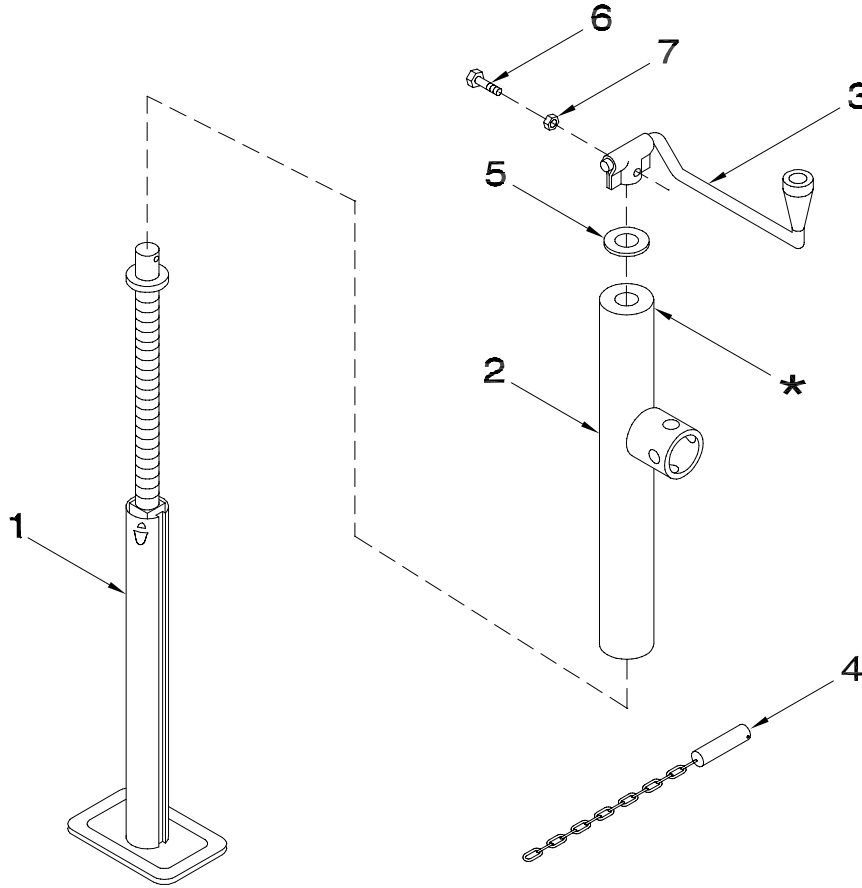
Item	Part No.	Description	Qty
1	H29011	Inner Tube Screw Assembly .....	1
2	N19966	Outer Tube .....	1
3	N19967	Handle Assembly .....	1
4	N19968	Thrust Bearing .....	1
5	N19969	Flatwasher .....	1
6	W-473	Hex Bolt - 5/16 x 1 1/2 Lg .....	1
7	D-5272	Locknut - 5/16 Unitorque .....	1
8	H10462	Button Head Pin .....	2
9	W-131	Hair Pin - 148 Dia (#9) .....	2
	H27963	Hitch Jack Assembly - 34 LG (Includes All Above Items)	

## Frame & Hitch Hitch Jack (1989 - 2009)



Item	Part No.	Description	Qty
1	N19965	Inner Tube Screw Assembly .....	1
2	N19966	Outer Tube .....	1
3	N19967	Handle Assembly .....	1
4	N19968	Thrust Bearing .....	1
5	N19969	Flatwasher .....	1
6	W-473	Hex Bolt - 5/16 x 1 1/2 .....	1
7	D-5272	Locknut - 5/16 .....	1
8	H10462	Button Head Pin .....	2
9	W-131	Hair Pin - #9 x 3 5/16 Lg .....	2
	N19866	Jack Assembly (Includes All Above Items)	
		NOTE: Jack can be identified by a Stamp (7000) near the Top	

## Frame & Hitch Hitch Jack (Prior to 1989)



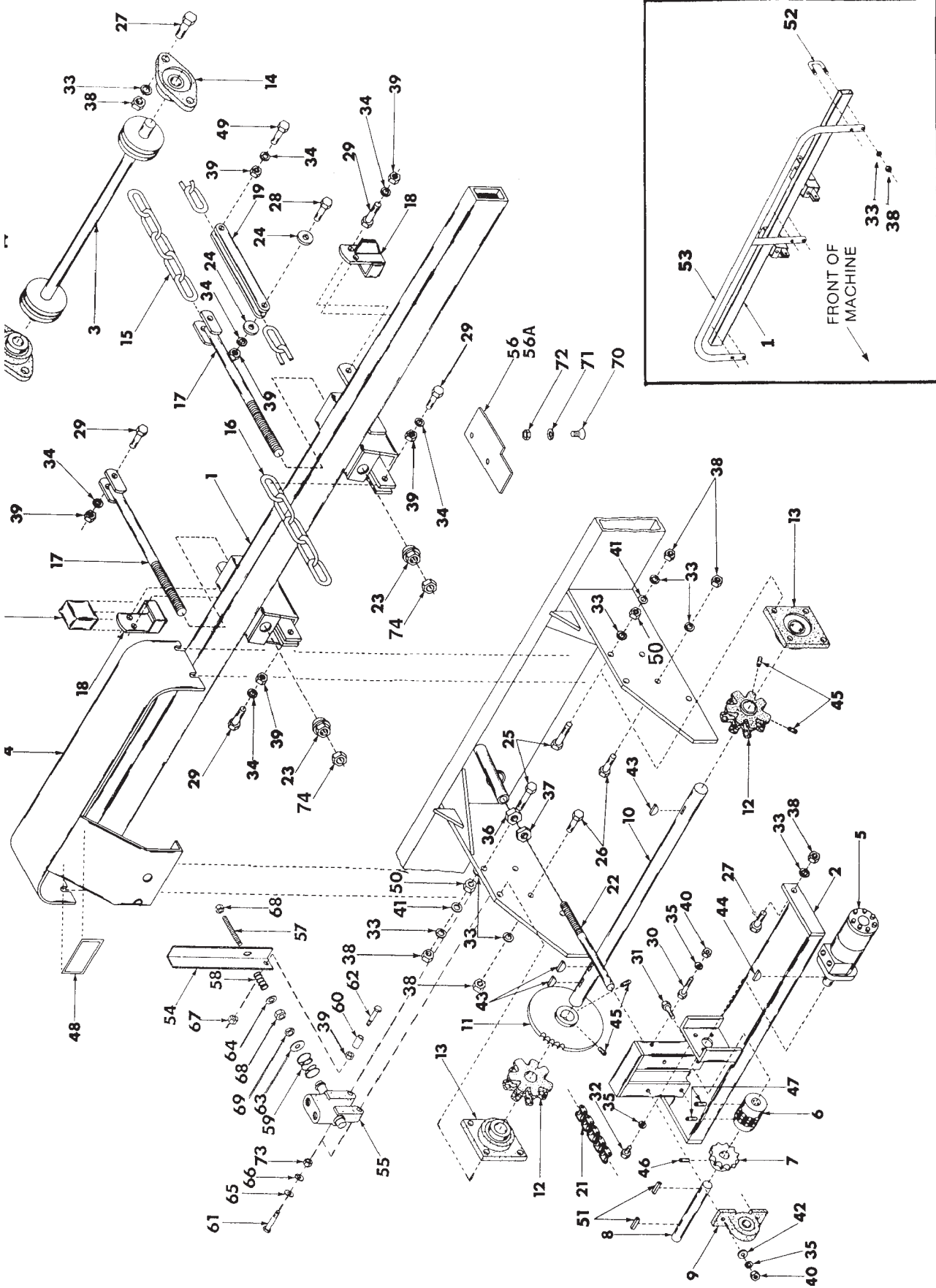
Item	Part No.	Description	Qty
1	C-5836	Outer Tube Assembly .....	1
2	C-5833	Inner Tube Assembly .....	1
3	C-5832	Handle Assembly .....	1
4	C-5834	Pin and Chain Assembly .....	1
5	N19969	Flatwasher .....	1
6	W-473	Hex Bolt - 5/16 x 1 1/2 Lg .....	1
7	D-5272	Locknut - 5/16 .....	1
	C-5831	Hitch Jack Assembly (Includes All Above Items)	
		NOTE: Jack can be identified by a Stamp (2000) near the Top	

# Section 2: Push Bar, Fork & Drive

## Section Contents

Push Bar - Drive .....	2-2
Fork (4 ft Bale Mod) .....	2-4
Fork (1994 - Present) .....	2-6
Fork (Prior to 1994) .....	2-8

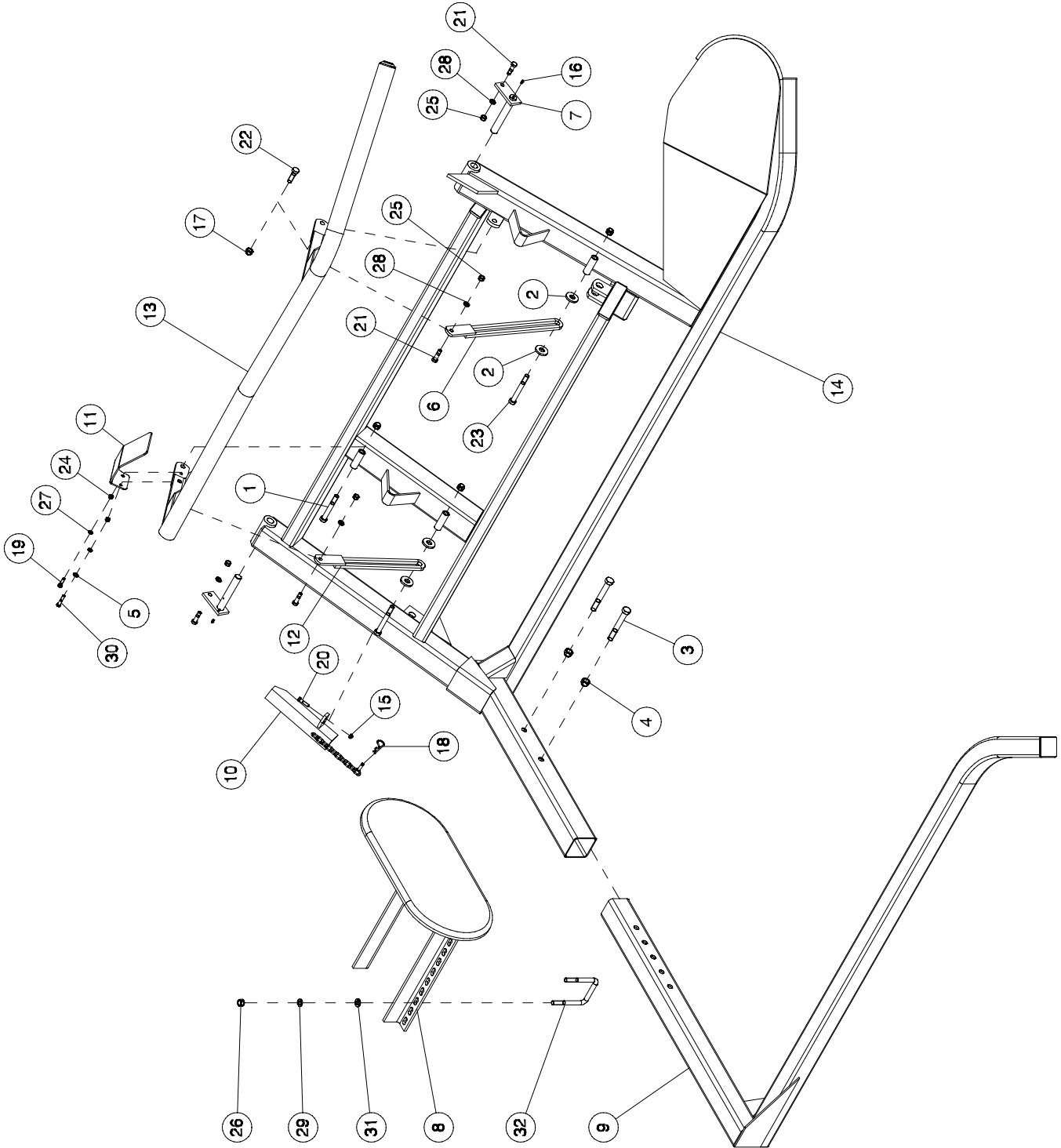
# Push Bar, Fork & Drive Push Bar - Drive



**Push Bar, Fork & Drive - Drive**

Item	Part No.	Description	Qty	Item	Part No.	Description	Qty
1	K-5333	Bale Push Bar	1	36	W-520	Hex Nut - 1	1
2	K-5697	Motor Bracket	1	37	S-711	Jam Nut - 1	1
3	K-5335	Chain Roller	1	38	W-517	Hex Nut - 5/8	20
4	K-5350	Chain Guard	1	39	W-516	Hex Nut - 1/2	13
5	K-3813	Orbit Motor (See Hydraulics for additional parts)	1	40	W-514	Hex Nut - 3/8	5
6	K-3821	Coupler Assembly	1	41	W-540	Flatwasher - 5/8	4
7	K-4568	13 Tooth Drive Sprocket	1	42	W-538	Flatwasher - 3/8	8
8	K-5351	Jackshaft - Short - (1" Dia)	1	43	W-1902	Woodruff Key - 3/8 x 1 3/8 Lg	3
9	S-91	Pillow Block Bearing Assembly	2	44	S-239	Woodruff Key - 1/4 x 7/8 Lg	1
10	K-5348	Jackshaft (1 3/4 Dia)	1	45	W-861	Setscrew - 3/8 x 5/8 Lg	6
11	K-5358	40 Tooth Sprocket	1	46	S-1203	Setscrew - 5/16 x 1/2 Lg	1
12	K-5352	Cast Drive Pulley	2	47	W-554	Setscrew - 5/16 x 5/16 Lg	2
13	S-1115	Flange Bearing Assembly	2	48	K-5486	Decal - "Caution Help Prevent Accidents"	1
14	K-5366	Flange Bearing Assembly	2	49	W-487	Hex Bolt - 1/2 x 1 3/4 Lg	2
15	K-5362	Chain, Top - 277" Lg (Calibrated)	2	50	C-1472	Jam Nut - 5/8	4
		- Used on K-5690 Main Frame		51	S10730	Keystock - 1/4 x 1/4 x 1 1/4 (1989 to Present)	2
		Chain, Top - 287" Lg (Calibrated)	2	51A	S-239	Woodruff Key - 1/4 x 7/8 Lg (Prior to 1989)	2
		- Used on extended K40350 Main Frame		52	C-219	U-Bolt	3
16	K-5363	Chain, Bottom - 287" Lg (Calibrated)	2	53	K12536	Extension - Push Bar	1
		- Used on K-5690 Main Frame		54	K25658	Activator Arm (1994 to Present)	1
		Chain, Bottom - 299" Lg (Calibrated)	2	55	S-4730	Selector Valve - 2 way (1994 to Present)	1
		- Used on extended K40350 Main Frame		56	K25838	Plate - Left Wear - Push Bar (1994 to Present)	1
17	K-5342	Chain Tightener	2	56A	K25837	Plate - Right Wear - Push Bar (1994 to Present)	1
18	K-5343	Bushing Holder	2	57	K25657	Rod - Threaded	1
19	K-5336	Clamp Strap	4	58	W-342	Spring - Slip Clutch (9/16 ID x 1 OD x 1 13/16 Lg)	1
20	K-5359	Nylon Wear Block (Prior to Serial #8810002359)	2	59	K25655	Spring - 1 11/32 ID x 2 Lg	1
		Nylon Wear Block (After Serial #8810002359)	2	60	K25656	Spacer	1
21	K-5365	Roller Chain No 60 (48 Links with Connectors)	1	61	J12217	Hex Bolt - 5/16 x 2 1/4 Lg	2
		Chain Link - #60 Connector	1	62	W-492	Hex Bolt - 1/2 x 3 Lg	1
		Chain Link - #60 Offset	1	63	W14504	Washer - 13/32 ID x 1 1/2 OD x 1/8	1
22	K-5337	Adjusting Rod	1	64	D-5579	Washer - 13/32 ID x 1 OD x 16 Ga	1
23	K-5476	Chain Tightener Nut	2	65	D-5488	Washer - 11/32 ID x 11/16 OD x 16 Ga	2
24	K-5477	Washer	4	66	W-522	Lockwasher - 5/16	2
25	W-502	Hex Bolt - 5/8 x 2 3/4 Lg	4	67	F-3405	Locknut - 1/2 Unitorque	1
26	W-499	Hex Bolt - 5/8 x 2 Lg	4	68	M-3388	Locknut - 3/8 Unitorque	2
27	W-498	Hex Bolt - 5/8 x 1 3/4 Lg	6	69	S-748	Jam Nut - 3/8	1
28	W-490	Hex Bolt - 1/2 x 2 1/2 Lg	2	70	N25463	Countersunk Machine Screw - 3/8 x 3/4 Lg	4
29	W-488	Hex Bolt - 1/2 x 2 Lg	8	71	W-523	Lockwasher - 3/8	4
30	W-479	Hex Bolt - 3/8 x 2 1/4 Lg	1	72	K-5567	Hex Nut - 3/8 UNF	4
31	W-477	Hex Bolt - 3/8 x 1 1/2 Lg	4	73	W-513	Hex Nut - 5/16	2
32	W-475	Hex Bolt - 3/8 x 1 Lg	4	74	W-575	Jam Nut - 3/4	2
33	W-526	Lockwasher - 5/8	24				
34	W-525	Lockwasher - 1/2	12				
35	W-523	Lockwasher - 3/8	9				

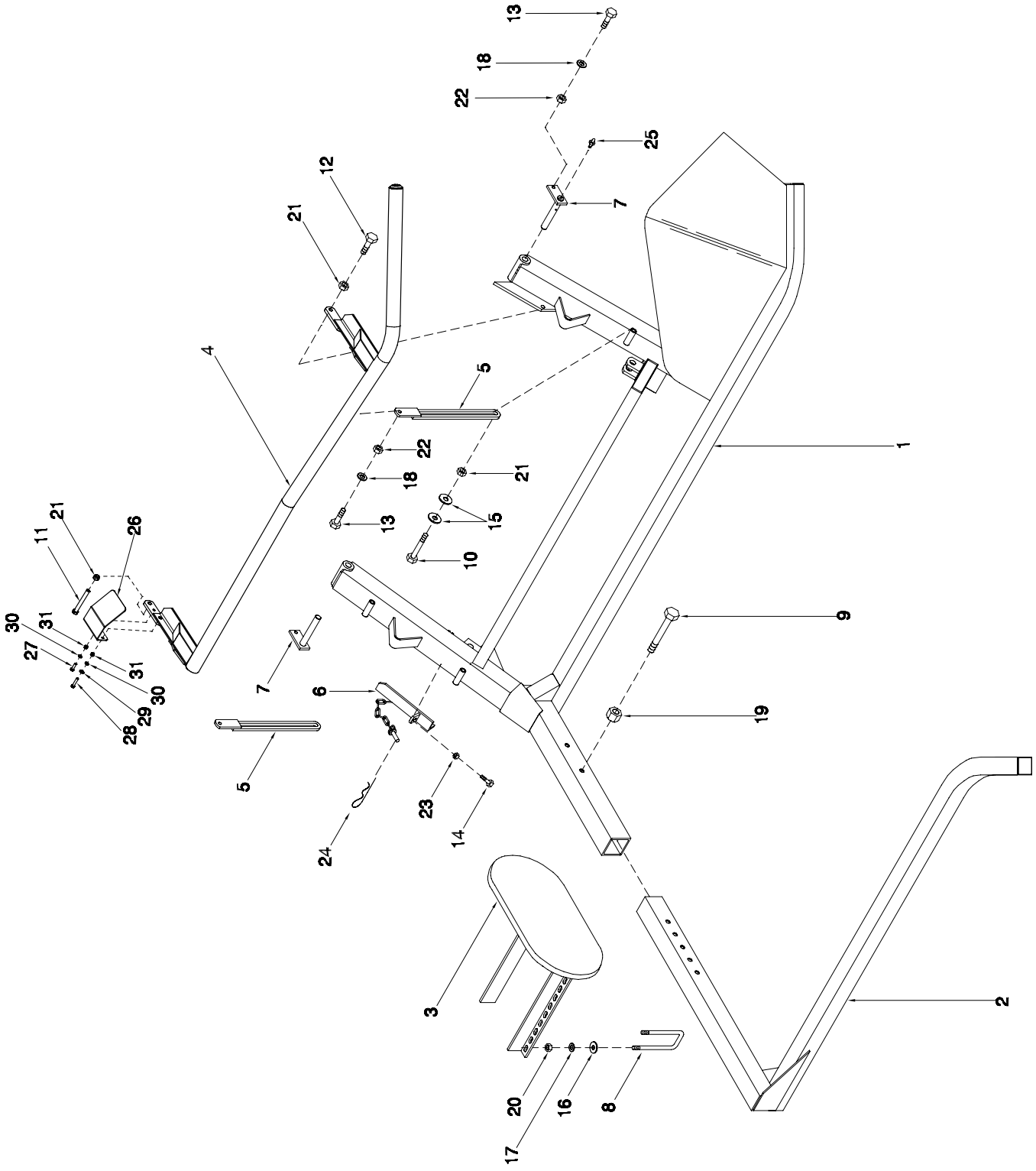
# Push Bar, Fork & Drive Fork (4 ft Bale Mod)



**Push Bar, Fork & Drive - Fork (4 ft Bale Mod)**

<b>Item</b>	<b>Part No.</b>	<b>Description</b>	<b>Qty</b>
1	C-852	Hex Bolt - 5/8 x 4 1/2 Lg .....	1
2	C-1526	Spacer Washer .....	4
3	C-3919	Hex Bolt - 3/4 x 5 1/2 Lg .....	2
4	D-5275	Locknut - 3/4 Unitorque .....	2
5	D-5489	Washer - 13/32 ID x 13/16 OD x 16 Ga .....	1
6	K-5340	Deflector Bar Adjustment Loop .....	1
7	K-5341	Hinge Pin - .....	2
8	K21447	Bale Stop .....	1
9	K21986	Outer Fork .....	1
10	K25654	Transport Lock .....	1
11	K34960	Guard .....	1
12	K40353	Adjustment Loop Rear - 4 Ft Bale Mod .....	1
13	K40355	Bale Deflector - 4 Ft Bale Mod .....	1
14	K40360	Inner Fork W/Bale Turner - 4 Ft Bale Mod .....	1
15	M-3388	Locknut - 3/8 Unitorque .....	1
16	S-752	Grease Fitting - 1/4 Straight .....	2
17	S-1197	Locknut - 5/8 Unitorque .....	4
18	W-131	Hairpin - 5/32 .....	1
19	W-187	Hex Bolt - 3/8 x 1 1/4 Lg .....	1
20	W-477	Hex Bolt - 3/8 x 1 1/2 Lg .....	1
21	W-487	Hex Bolt - 1/2 x 1 3/4 x 3/4 Lg Thread .....	4
22	W-499	Hex Bolt - 5/8 x 2 Lg .....	1
23	W-506	Hex Bolt - 5/8 x 5 Lg .....	2
24	W-514	Hex Nut - 3/8 .....	2
25	W-516	Hex Nut - 1/2 .....	4
26	W-517	Hex Nut - 5/8 .....	4
27	W-523	Lockwasher - 3/8 .....	2
28	W-525	Lockwasher - 1/2 .....	4
29	W-526	Lockwasher - 5/8 .....	4
30	W-619	Hex Bolt - 3/8 x 1 3/4 Lg .....	1
31	W-793	Washer - 3/16 .....	4
32	W14503	U-Bolt - 5/8 x 4 x 5 1/4 .....	2

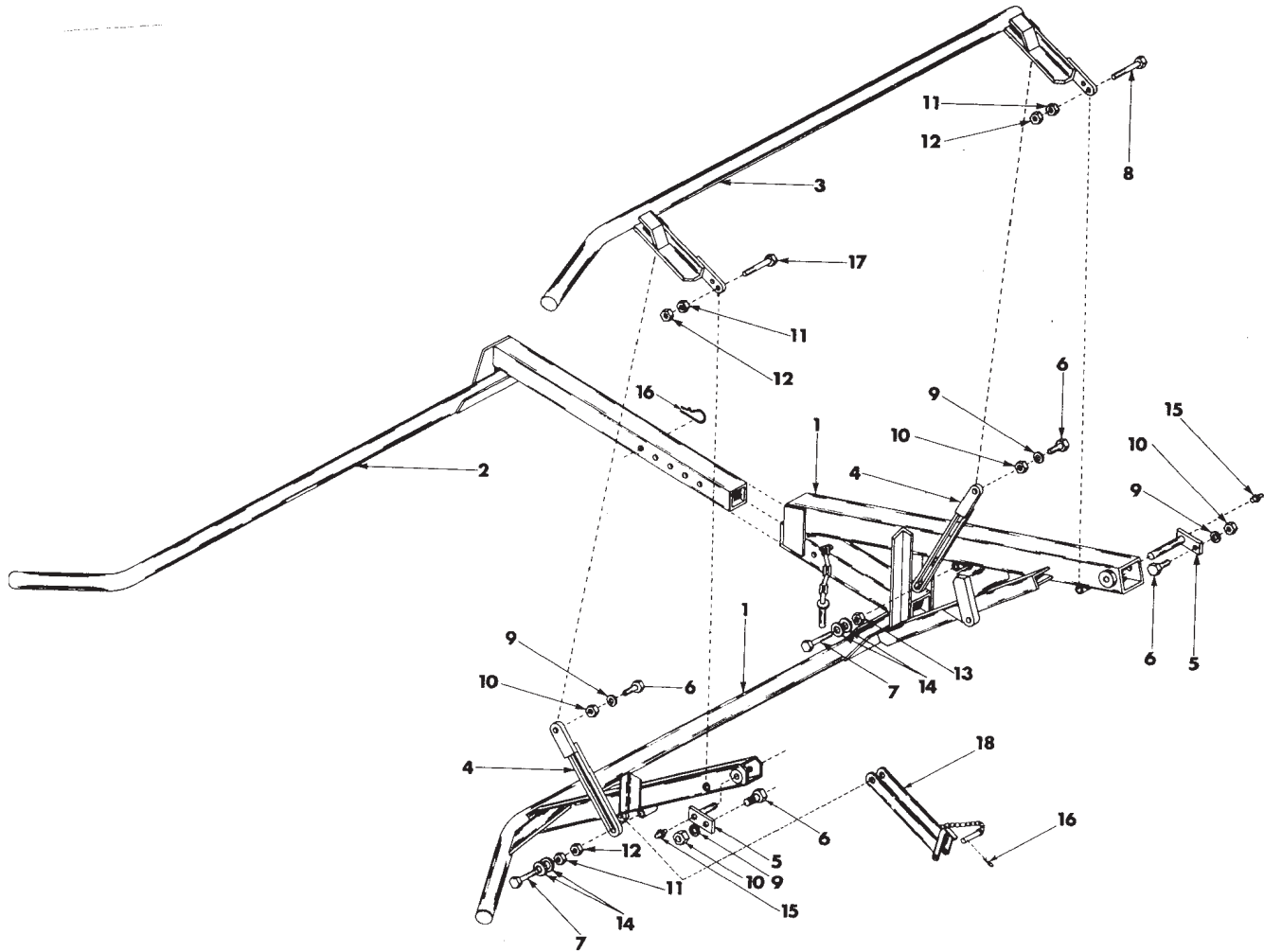
# Push Bar, Fork & Drive Fork (1994 - Present)



**Push Bar, Fork & Drive - Fork (1994 - Present)**

<b>Item</b>	<b>Part No.</b>	<b>Description</b>	<b>Qty</b>
1	K25638	Inner Fork .....	1
2	K21986	Outer Fork .....	1
3	K21447	Bale Stop .....	1
4	K34954	Bale Deflector .....	1
5	K-5340	Adjustment Loop .....	2
6	K25654	Transport Lock .....	1
7	K-5341	Hinge Pin .....	2
8	W14503	U-Bolt .....	2
9	C-3919	Hex Bolt - 3/4 x 5 1/2 Lg .....	1
10	W-506	Hex Bolt - 5/8 x 5 Lg .....	2
11	C-852	Hex Bolt - 5/8 x 4 1/2 Lg .....	1
12	W-499	Hex Bolt - 5/8 x 2 Lg .....	1
13	W-487	Hex Bolt - 1/2 x 1 3/4 Lg .....	4
14	W-477	Hex Bolt - 3/8 x 1 1/2 Lg .....	1
15	C-1526	Washer - Wear .....	4
16	W-793	Flatwasher - 5/8 .....	4
17	W-526	Lockwasher - 5/8 .....	4
18	W-525	Lockwasher - 1/2 .....	4
19	D-5275	Locknut - 3/4 .....	1
20	W-517	Hex Nut - 5/8 .....	4
21	S-1197	Locknut - 5/8 .....	4
22	W-516	Hex Nut - 1/2 .....	4
23	M-3388	Locknut - 3/8 .....	1
24	W-131	Hair Pin .....	1
25	S-752	Grease Zerk - 1/4 Straight .....	2
26	K34960	Guard .....	1
27	W-187	Hex Bolt - 3/8 x 1 1/4 Lg .....	1
28	W-619	Hex Bolt - 3/8 x 1 3/4 Lg .....	1
29	D-5489	Flatwasher - 3/8 .....	1
30	W-523	Lockwasher - 3/8 .....	2
31	W-514	Hex Nut - 3/8 .....	2

## Push Bar, Fork & Drive Fork (Prior to 1994)



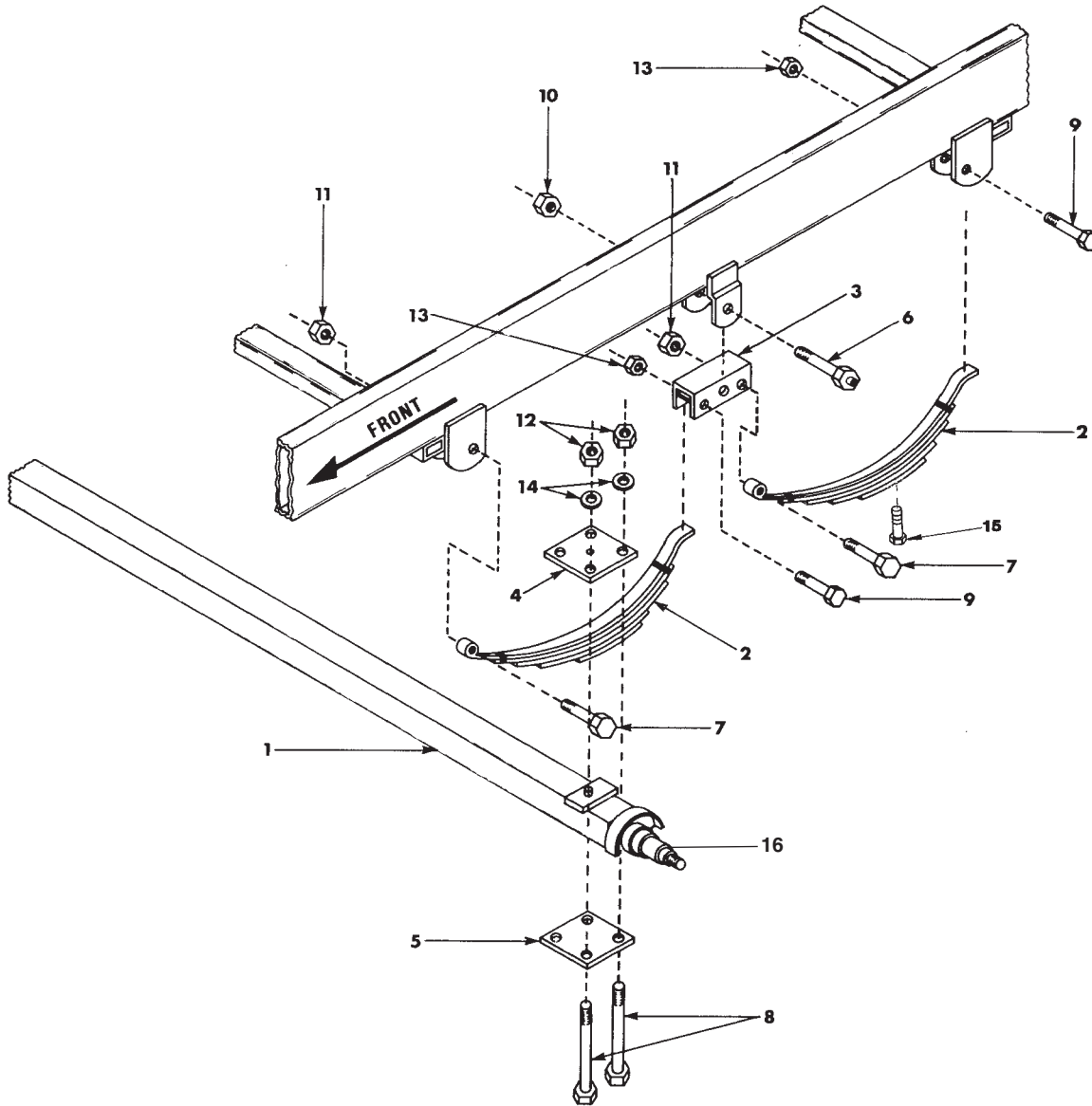
Item	Part No.	Description	Qty
1	K-5691	Inner Fork .....	1
2	K-5339	Outer Fork .....	1
3	K-5344	Bale Deflector .....	1
4	K-5340	Adjustment Loop .....	2
5	K-5341	Hinge Pin .....	2
6	W-487	Hex Bolt - 1/2 x 1 3/4 Lg .....	4
7	W-506	Hex Bolt - 5/8 x 5 Lg .....	2
8	C-852	Hex Bolt - 5/8 x 4 1/2 Lg .....	1
9	W-525	Lockwasher - 1/2 .....	4
10	W-516	Hex Nut - 1/2 .....	4
11	W-517	Hex Nut - 5/8 .....	3
12	C-1472	Jam Nut - 5/8 .....	3
13	S-1197	Locknut - 5/8 .....	1
14	C-1526	Washer - Wear .....	2
15	S-752	Grease Zerk - 1/4 Straight .....	2
16	BW-11	Hair Pin - 3/16 .....	2
17	C-507	Hex Bolt - 5/8 x 6 .....	1
18	K10505	Cylinder Transport Lock (Not Used Prior to 1982) .....	1

# Section 3: Axle & Wheels

## Section Contents

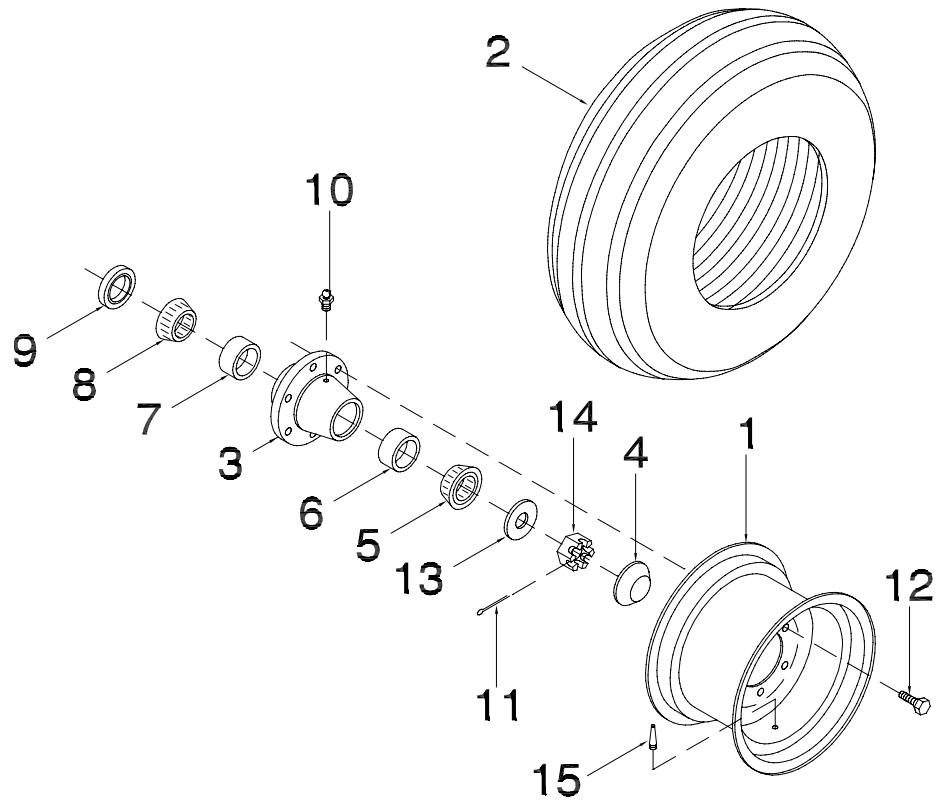
Axles .....	3-2
Wheels .....	3-3

## Axles & Wheels Axles



Item	Part No.	Description	Qty
1	K-5331	Axle .....	2
2	K-5692	Leaf Spring (Slipper Type) .....	4
	K21129	Shackle Bushing (Not Shown) .....	4
3	K-5700	Equalizer Arm .....	2
4	K-5346	Spring Mounting Plate .....	4
5	K-5349	Bottom Spring Mounting Plate .....	4
6	K-5693	Greaseable Bolt - 3/4 x 4 1/2 Lg .....	2
7	K-5702	Hex Bolt - 5/8 x 3 5/8 Lg .....	4
8	W-3687	Hex Bolt - 1/2 x 8 Lg .....	16
9	W-481	Hex Bolt - 3/8 x 3 1/2 Lg .....	4
10	K29464	Locknut - 3/4 (Jam Clevlok) .....	2
11	K-5703	Locknut - 5/8 .....	4
12	W-516	Hex Nut - 1/2 .....	16
13	M-3388	Locknut - 3/8 .....	4
14	W-525	Lockwasher - 1/2 .....	16
15	K-4788	Hex Bolt - Leaf Spring - 3/8 x 3 Lg .....	4
16	AF-116	Spindle - Weld-in	

## Axles & Wheels Wheels



Item	Part No.	Description	Qty
1	C-1473	Rim - 15 x 8 - 6 Bolt .....	1
2	K-5688	Tire - 11L x 15 FI Load Range D (8 Ply Rating) .....	1
3	C-1463	Hub (Includes Items 6, 7 & 10) .....	1
4	C-1522	Dust Cap .....	1
5	W-1474	Outer Wheel Bearing - LM48548 .....	1
6	W-1537	Outer Bearing Cup .....	1
7	W-1538	Inner Bearing Cup .....	1
8	W-1475	Inner Wheel Bearing - LM603049 .....	1
9	C-1521	Seal .....	1
10	S-752	Grease Nipple - 1/4 NPT Strait .....	1
11	W-1416	Cotter Pin - 3/16 x 1 1/2 .....	1
12	W-1383	Wheel Stud Bolt - 9/16 x 1 11/16 .....	6
13	C-3258	Washer - 2 OD x 1 1/16 ID x 3/16 .....	1
14	S-1311	Slotted Nut - 1" SAE .....	1
15	C17348	Valve Stem .....	1

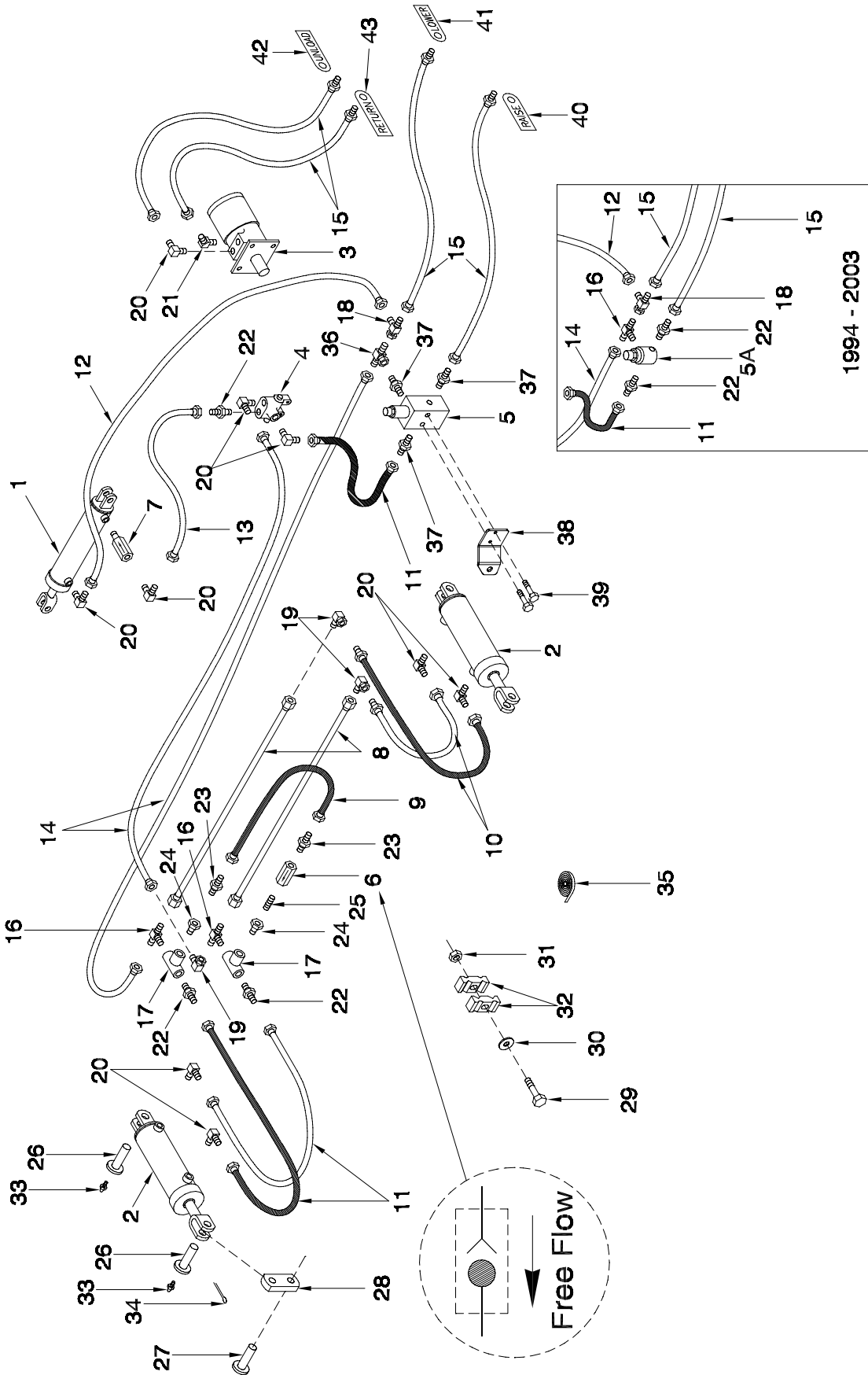
## Notes

# Section 4: Hydraulics

## Section Contents

Hydraulics .....	4-2
(1994 - Present) .....	4-2
(1982 - 1993) .....	4-4
(Prior to 1982) .....	4-6
Cylinders .....	4-8
Check Valve (C-4066) .....	4-10

# Hydraulics (1994 - Present)

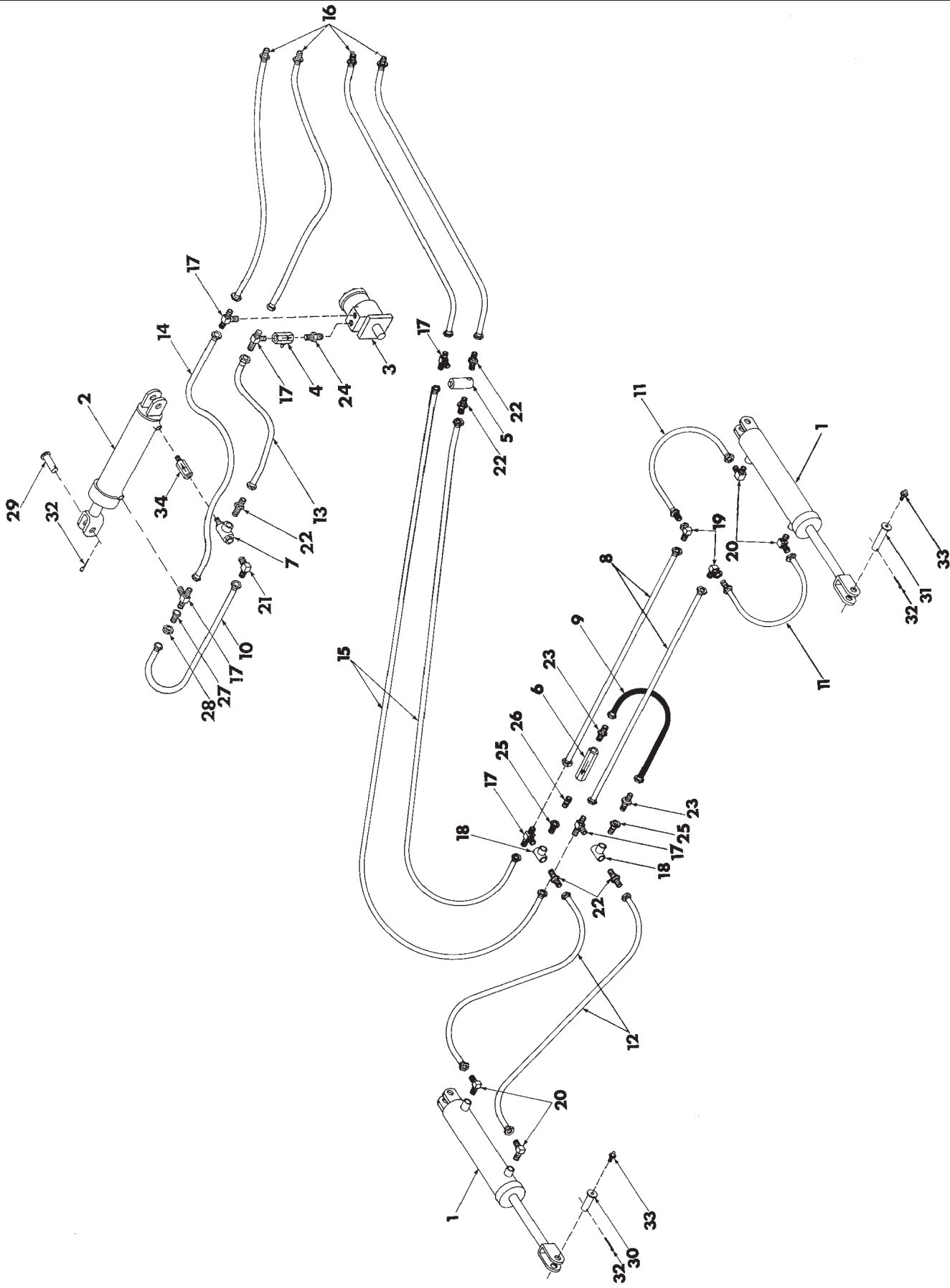


1994 - 2003

## Hydraulics - (1994 - Present)

Item	Part No.	Description	Qty
1	C-2040	Hydraulic Cylinder - 3 x 12 BBP .....	1
2	C-2246	Hydraulic Cylinder - 3 1/2 x 8 .....	2
3	K-3813	Orbit Motor .....	1
	K12962	Seal Kit for K-3818 Orbit Motor .....	
	K15492	Mounting Flange for K-3818 Orbit Motor - 4 Bolt .....	
	K18593	Screw - 5/16 - 24 UNF x 7/8 - 12PT - for Mounting Flange .....	
	S-239	Woodruff Key - 1/4 x 7/8 .....	
4	S-4730	Selector Valve .....	1
	N31601	Seal Kit .....	1
5	K37578	Relief Valve .....	1
5A	K-5686	Relief Valve (Prior to 2004) .....	1
6	K47702	Check Valve - 500 PSI .....	1
7	H25615	Flow Restrictor (FR-50-093) .....	1
8	C-4363	Oil Line - 5/8 x 38 Lg .....	2
9	C-4467	Hyd Hose - 1/4 x 16 Lg w/ 9/16-18 FJIC .....	1
10	C-4387	Hyd Hose - 1/2 x 36 Lg w/ 7/8-14 FJIC Ends .....	2
11	C-4404	Hyd Hose - 1/2 x 36 Lg w/ 7/8-14FJIC Ends .....	3
12	K-5685	Hyd Hose - 1/2 x 48 Lg w/ 7/8-14 FJIC Ends .....	1
13	F-4565	Hyd Hose - 1/2 x 60 Lg w/ 7/8-14 FJIC Ends .....	1
14	H-4410	Hyd Hose - 1/2 x 96 Lg w/ 7/8-14 FJIC Ends .....	2
15	H-4479	Hyd Hose - 1/2 x 96 Lg w/ 7/8-14 FJIC x 1/2 MNPT Ends .....	4
16	C-4396	Male Tee - (2) 7/8-14 JIC x (1) 1/2 MNPT .....	3
17	W-4056	Female Tee - (3) 1/2 NPT .....	2
18	H18746	Swivel Tee - (2) 7/8-14 MJIC x (1) 7/8-14 FJIC .....	1
19	K-5806	90 deg Elbow - 7/8-14 MJIC x 7/8-14 FJIC .....	3
20	C-4400	90 deg Male Elbow 7/8-14 MJIC x 1/2 MNPT .....	9
21	C-4402	45 deg Male Elbow 7/8-14 JIC x 1/2 NPT .....	1
22	C-4399	Male Connector - 7/8-14 JIC x 1/2 NPT .....	5
23	C-4405	Male Connector - 9/16-18 JIC x 3/8 NPT .....	2
24	C-719	Adaptor - 1/2 MNPT x 3/8 FNPT .....	2
25	C-724	Nipple - 3/8 NPT .....	1
26	K-5694	Pin, Greaseable - 1 x 2 1/4 UL .....	4
27	W-558	Pin - 1 x 2 1/4 UL .....	2
28	K18500	Link .....	2
29	W-480	Bolt - 3/8 x 2 1/2 Lg Hex UNC .....	2
30	D-5498	Flat Washer - 3/8 .....	2
31	W-538	Lock Nut - 3/8 UNC .....	2
32	C-4698	Nylon Oil Line Clamp .....	4
33	S-752	Grease Zerk - 1/4 x 28 UNF STR .....	4
34	W-4181	Cotter Pin - 1/4 x 2 Lg .....	6
35	W-3022	Teflon .....	1 Roll
36	F24559	Tee - (1) 7/8-14 FJIC x (2) 7/8-14 MJIC .....	1
37	C14840	Connector - 7/8-14 MJIC x 3/4-16 MORB .....	3
38	K37577	Bracket .....	1
39	K-3830	Hex Bolt - 1/4 x 1/2 Lg Bolt .....	2
40	K29976	Tag - Hose ID - Fork/Bed - RAISE .....	1
41	K29977	Tag - Hose ID - Fork/Bed - LOWER .....	1
42	K29978	Tag - Hose ID - Push Bar - Unload .....	1
43	K29979	Tag - Hose ID - Push Bar - Return .....	1

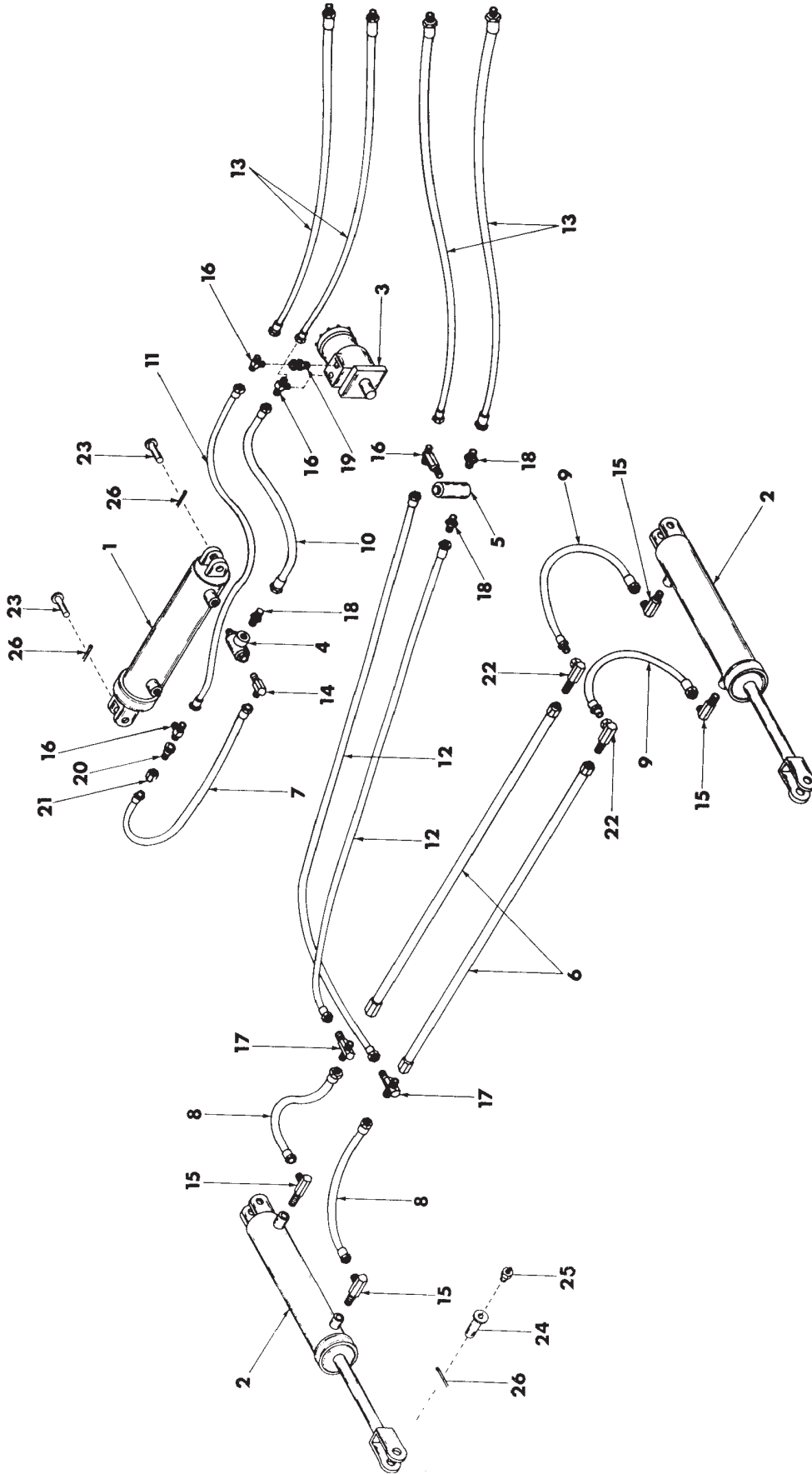
# Hydraulics (1982 - 1993)



## Hydraulics - (1982 - 1993)

Item	Part No.	Description	Qty
1	C-2246	Cylinder - 3 1/2 x 8 Lg.....	2
2	C-2040	Cylinder - 3 x 12 BBP .....	1
3	K-3813	Orbit Motor .....	1
	K12962	Seal Kit for K-3818 Orbit Motor .....	
	K15492	Mounting Flange for K-3818 Orbit Motor - 4 Bolt .....	
	K18593	Screw - 5/16 - 24 UNF x 7/8 - 12PT - for Mounting Flange .....	
	S-239	Woodruff Key - 1/4 x 7/8 .....	
4	K21211	Flow Valve (1990 to 1993) .....	1
5	K-5686	Relief Valve .....	1
6	K47702	Check Valve - 500 PSI .....	1
7	C-4066	Pilot Operated Check Valve .....	1
8	C-4363	Oil Line - 5/8 x 38 Lg .....	2
9	C-4467	Hyd Hose - 1/4 x 16 Lg w/9/16-18 FJIC .....	1
10	C-4552	Hyd Hose - 1/4 x 24 Lg w/9/16-18 FJIC .....	1
11	C-4387	Hyd Hose - 1/2 x 36 Lg w/7/8-14 FJIC x 7/8-14 MJIC .....	2
12	C-4404	Hyd Hose - 1/2 x 36 Lg w/7/8-14 FJIC .....	2
13	K-5685	Hyd Hose - 1/2 x 48 Lg w/7/8-14 FJIC .....	1
14	F-4565	Hyd Hose - 1/2 x 60 Lg w/7/8-14 FJIC .....	1
15	H-4410	Hyd Hose - 1/2 x 96 Lg w/7/8-14 FJIC .....	2
16	H-4479	Hyd Hose - 1/2 x 96 Lg w/7/8-14 FJIC x 1/2 MNPT .....	4
17	C-4396	Male Tee - (2) 7/8-14 MJIC x (1) 1/2 MNPT .....	6
18	W-4056	Female Tee - (3) 1/2 FNPT .....	2
19	K-5806	90 Elbow - 7/8-14 MJIC x 7/8-14 FJIC .....	2
20	C-4400	90 Male Elbow - 7/8-14 MJIC x 1/2 MNPT .....	4
21	F-3864	90 Male Elbow - 9/16-18 MJIC x 1/4 MNPT .....	1
22	C-4399	Male Connector - 7/8-14 MJIC x 1/2 MNPT .....	5
23	C-4405	Male Connector- 9/16-18 MJIC x 3/8 MNPT .....	2
24	K21212	Male Connector - 1/2 MNPT (1990 to 1993) .....	1
24A	C-3269	Swivel Connector - 1/2 MNPT x 1/2 FNPT (Prior to 1990) .....	1
25	C-719	Adaptor - 1/2 MNPT x 3/8 FNPT .....	2
26	C-724	Nipple - 3/8 NPT .....	1
27	C-4392	Reducer - 7/8-14 MJIC x 9/16-18 FJIC .....	1
28	C-4391	Nut - 7/8-14 JIC .....	1
29	W-558	Pin - 1 x 2 1/4 UL .....	2
30	K-5694	Greaseable Pin - 1 x 2 1/4 UL .....	3
31	K10511	Greaseable Pin - 1 x 3 3/8 UL .....	1
32	W-4181	Cotter Pin - 1/4 x 2 Lg .....	6
33	S-752	Grease Zerk - 1/4 x 28 UNF Straight.....	4
34	H25615	Flow Restrictor .....	1

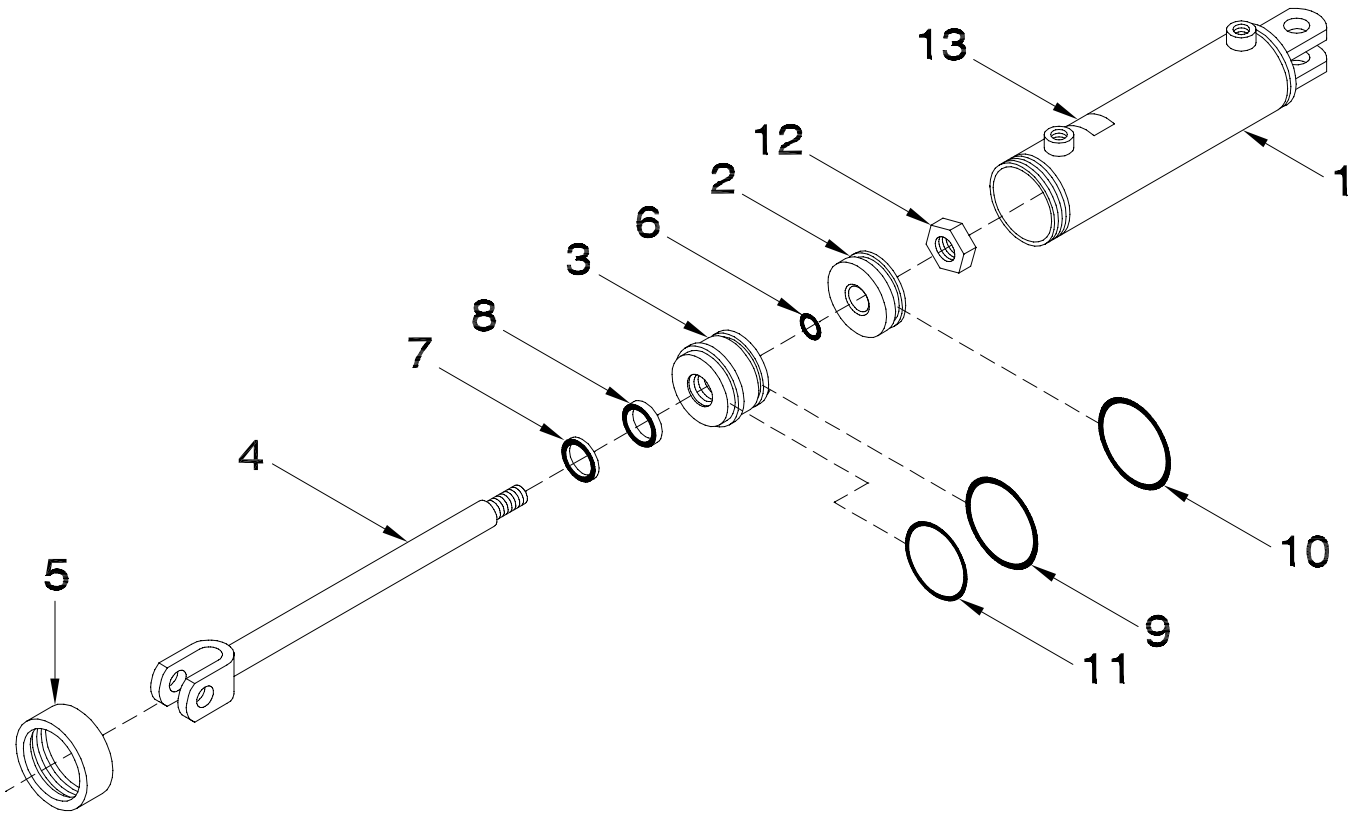
# Hydraulics (Prior to 1982)



## Hydraulics - (Prior to 1982)

Item	Part No.	Description	Qty
1	C-2040	Cylinder - 3 x 12 Lg.....	1
2	C-2246	Cylinder - 3 1/2 x 8 Lg.....	2
3	K-3813	Orbit Motor .....	1
	K12962	Seal Kit for K-3818 Orbit Motor .....	
	K15492	Mounting Flange for K-3818 Orbit Motor - 4 Bolt .....	
	K18593	Screw - 5/16 - 24 UNF x 7/8 - 12PT - for Mounting Flange .....	
	S-239	Woodruff Key - 1/4 x 7/8 .....	
4	C-4066	Pilot Operated Check Valve .....	1
5	K-5686	Relief Balve .....	1
6	C-4363	Oil Line - 5/8 x 38 Lg .....	2
7	C-4552	Hyd Hose - 1/4 x 24 Lg w/9/16-18 FJIC .....	1
8	C-4404	Hyd Hose - 1/2 x 36 Lg w/7/8-14 FJIC .....	2
9	C-4387	Hyd Hose - 1/2 x 36 Lg w/7/8-14 FJIC x 7/8-14 MJIC .....	2
10	K-5685	Hyd Hose - 1/2 x 48 Lg w/7/8-14 FJIC .....	1
11	F-4565	Hyd Hose - 1/2 x 60 Lg w/7/8-14 FJIC .....	1
12	H-4410	Hyd Hose - 1/2 x 96 Lg w/7/8-14 FJIC .....	2
13	H-4479	Hyd Hose - 1/2 x 96 Lg w/7/8-14 FJIC x 1/2 MNPT .....	4
14	F-3864	90 Male Elbow - 9/16-18 MJIC x 1/4 MNPT .....	1
15	C-4400	90 Male Elbow - 7/8-14 MJIC x 1/2 MNPT .....	4
16	C-4396	Male Tee - (2) 7/8-14 MJIC x (1) 1/2 MNPT .....	4
17	C-4394	Male Tee - (3) 7/8-14 MJIC .....	2
18	C-4399	Male Connector - 7/8-14 MJIC x 1/2 MNPT .....	3
19	C-3269	Swivel Connector - 1/2 MNPT x 1/2 FNPT (Prior to 1990) .....	1
20	C-4392	Reducer - 7/8-14 MJIC x 9/16-18 FJIC .....	1
21	C-4391	Nut - 7/8-14 JIC .....	1
22	K-5806	90 Elbow - 7/8-14 MJIC x 7/8-14 FJIC .....	2
23	W-558	Pin - 1 x 2 1/4 UL .....	2
24	K-5694	Greaseable Pin - 1 x 2 1/4 UL .....	4
25	S-752	Grease Zerk - 1/4 x 28 UNF Straight.....	4
26	W-4181	Cotter Pin - 1/4 x 2 Lg.....	6
27	C-4698	Nylon Oil Line Clamp .....	4
28	W-480	Hex Bolt - 3/8 x 2 1/2 Lg .....	2
29	W-514	Hex Nut - 3/8 .....	2
30	W-523	Lockwasher - 3/8 .....	2

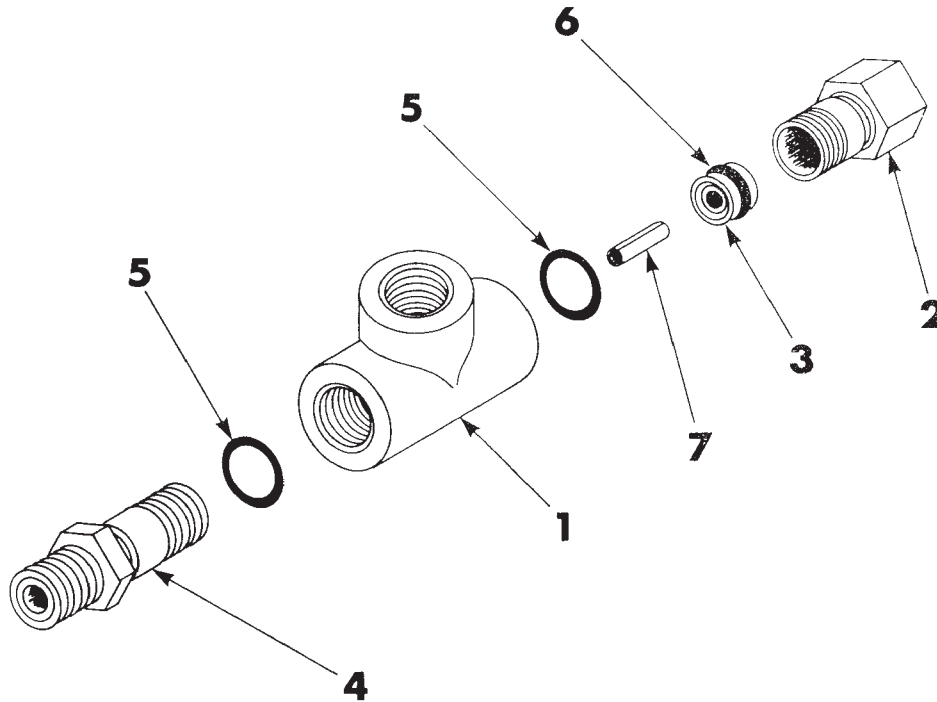
# Hydraulics Cylinders



## Hydraulics - Cylinders

Item	Part No.	Description	Qty
<b>C-2246 - 3 1/2 x 8 - AG CYLINDER</b>			
1	C-2189	Barrel .....	1
2	C-2039	Piston .....	1
3	C-2037	Gland .....	1
4	C-2239	Shaft - 1 1/4 Dia .....	1
5	C-2028	Collar .....	1
6	C-2016	Shaft Static Seal .....	1
7	C-2007	Shaft Wiper .....	1
8	C-2008	Shaft Seal .....	1
9	C-2029	Gland Static Seal .....	1
10	C-2022	Piston Seal .....	1
11	C-2214	O-Ring .....	1
12	C-2017	Shaft Nut - 7/8 .....	1
13	C-2247	Part No Plate .....	1
	C-2246	Cylinder Assembly (Includes All Above Items)	
	C-2036	Seal Kit (Includes Items 6, 7, 8, 9, 10 & 11)	
<b>C-2040 - 3 x 12 - GLAND-BY-PASS CYLINDER</b>			
1	C-2047	Barrel .....	1
2	C-2014	Piston .....	1
3	C-2010	Gland .....	1
4	C-2027	Shaft .....	1
5	C-2009	Collar .....	1
6	C-2016	Shaft Static Seal .....	1
7	C-2007	Shaft Wiper .....	1
8	C-2008	Shaft Seal .....	1
9	C-2012	Gland Static Seal .....	1
10	C-2015	Piston Seal .....	1
11	C-2214	O-Ring .....	1
12	C-2017	Shaft Nut .....	1
13	C-2048	Part No Plate .....	1
	C-2040	Cylinder Assembly (Includes All Above Items)	
	C-2002	Seal Kit (Includes Items 6, 7, 8, 9, 10 & 11)	

## Hydraulics Check Valve (C-4066)



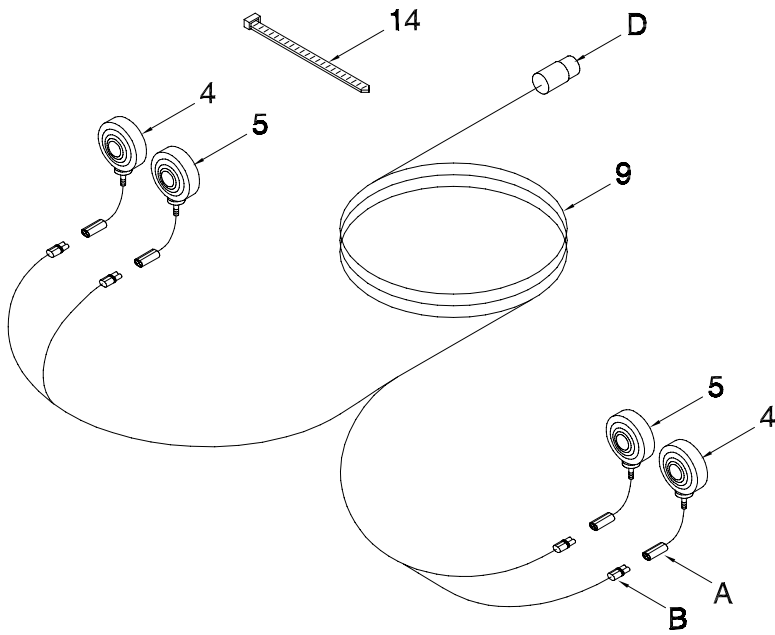
Item	Part No.	Description	Qty
1	C21511	Ductile Tee .....	1
2	C12512	Piston Housing .....	1
3	C12513	Piston .....	1
4	C12514	Ball Seat Housing .....	1
5	C12518	"O" Ring .....	1
6	C12519	"O" Ring .....	1
7	C12520	Roll Pin - 3/16 x 3/4 .....	1
	C-4066	Check Valve Assembly (Includes All Above Items)	

# Section 5: Lighting and Safety Signs

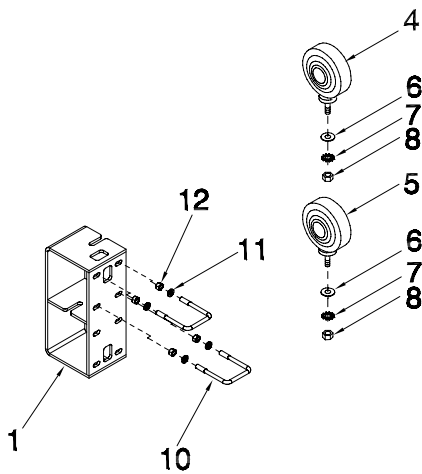
## Section Contents

Marking Lights .....	5-2
Safety Signs .....	5-4

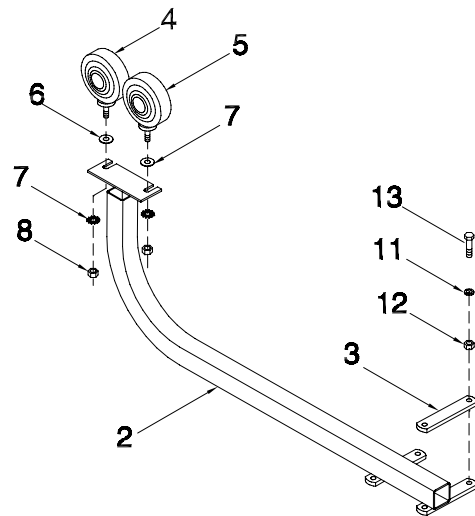
# Lighting Marking Lights



**881 HAY HIKER with SIDE RAILS**

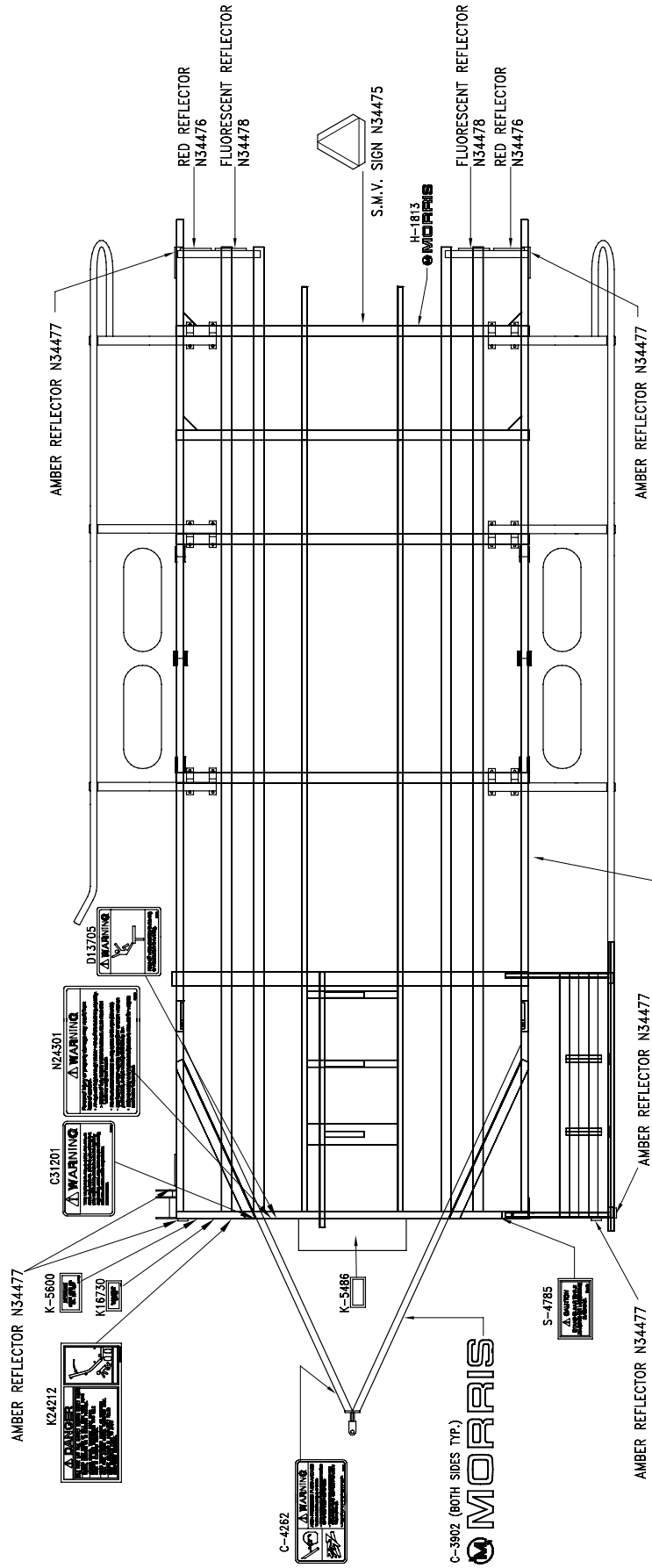


**881 HAY HIKER without SIDE RAILS**



## Lighting - Marking Lights

Item	Part No.	Description	Qty
1	K37581	Bracket - Mounting .....	2
2	K31994	Bracket - Mounting .....	2
3	N19109	Strap - Mounting .....	4
4	C32765	Light - Amber .....	2
5	C32766	Light - Red .....	2
6	W-539	Flat Washer - 1/2 .....	1
7	D-5280	Star Washer - 1/2 .....	2
8	W-516	Hex Nut - 1/2 .....	1
9	C31437	Wiring Harness - Main .....	1
10	N34950	U - Bolt - 3/8x 2 1/2 x 3 1/2 UL .....	2
11	W-523	Lockwasher - 3/8 .....	8
12	W-514	Hex Nut - 3/8 .....	8
13	W-481	Hex Bolt - 3/8 x 3 1/2 lg .....	8
14	D-4951	Nylon Tie Strap - 7 3/8 lg .....	5
14A	D-4838	Nylon Tie Strap - 14 1/2 lg .....	20
	C32761	Red Acrylic Lens	
	C32762	Amber Acrylic Lens	
	C32515	Bulb - #1156	
A	C32681	Receptacle Connector Assembly - GRAY - 2 Pin	
B	C32682	Plug Connector Assembly - GRAY - 2 Pin	
D	C32690	Connector Assembly - 7 Pin Plug (Complete with Cable Protector Spring)	
	C32688	Interior - Plug - 7 Pin Connector	
	C32689	Cable Protector Spring - Plug - 7 Pin Connector	
		ORDER KITS THROUGH PARTS ONLY	
	K30753	881 Hay Hiker with Side Rails Light Kit-Includes items 1, 4-9, 10, 11-16A	
	K31995	881 Hay Hiker without Side Rails Light Kit-Includes items 2, 3, 4-9, 11-13, 14 and 14A	



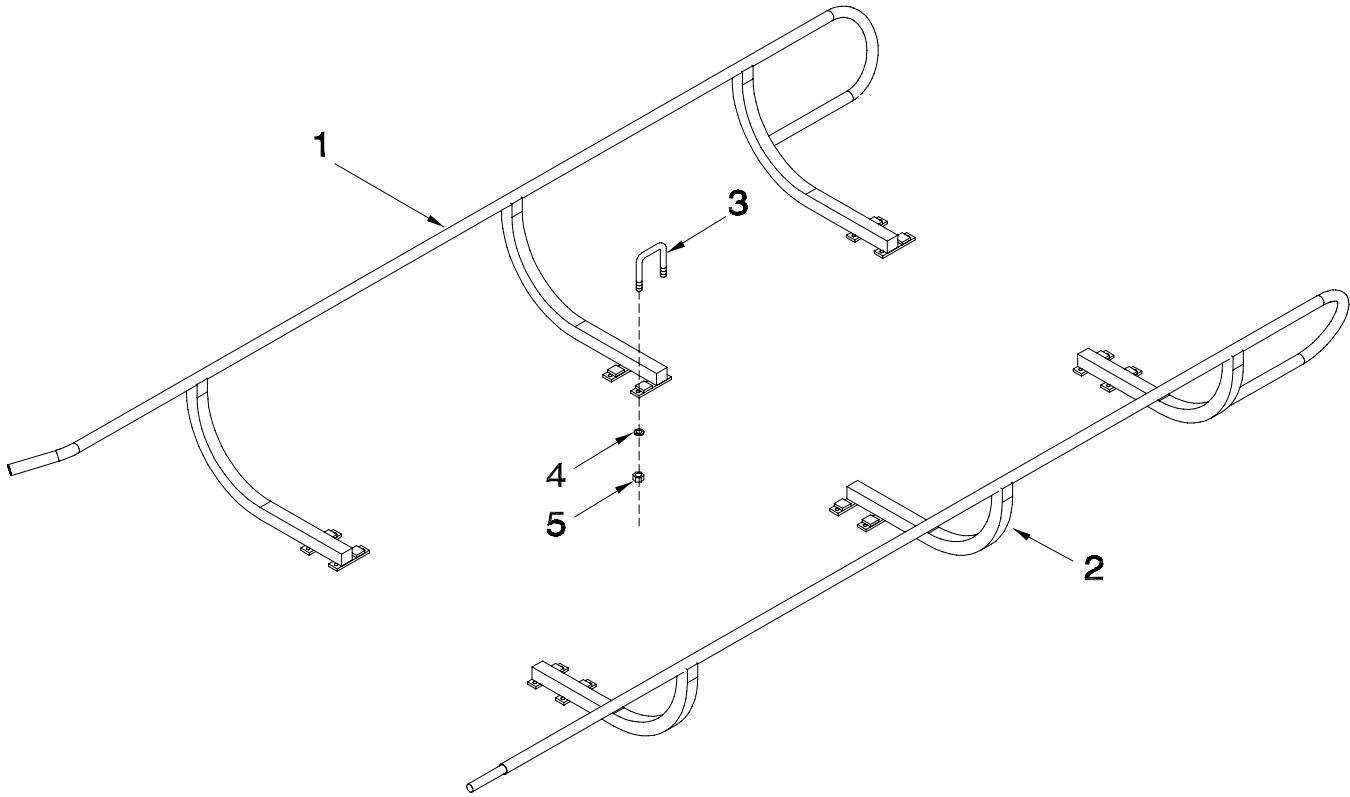
**HAY-HIKER 881**  
K-5695 (BOTH SIDES TYP.)

# Section 6: Options

## Section Contents

Side Rail Kit .....	6-2
---------------------	-----

## Options Side Rail Kit



Item	Part No.	Description	Qty
1	K29160	Right Side Rail .....	1
2	K29165	Left Side Rail .....	1
3	K29164	U-Bolt - 5/8 .....	6
4	W-526	Lockwasher - 5/8 .....	12
5	W-517	Hex Nut - 5/8 .....	12
	K29177	Side Rail Kit (Includes All Above Items)	
		Kits must be ordered through Wholegoods	

# Index

## A

AF-116 3-3

## B

BW-11 2-8

## C

C-1463 3-3  
 C-1472 2-3, 2-8  
 C-1473 3-3  
 C-1521 3-3  
 C-1522 3-3  
 C-1526 2-5, 2-7, 2-8  
 C-2002 4-9  
 C-2007 4-9  
 C-2008 4-9  
 C-2009 4-9  
 C-2010 4-9  
 C-2012 4-9  
 C-2014 4-9  
 C-2015 4-9  
 C-2016 4-9  
 C-2017 4-9  
 C-2022 4-9  
 C-2027 4-9  
 C-2028 4-9  
 C-2029 4-9  
 C-2036 4-9  
 C-2037 4-9  
 C-2039 4-9  
 C-2040 1-3, 4-3, 4-5, 4-7, 4-9  
 C-2047 4-9  
 C-2048 4-9  
 C-2189 4-9  
 C-219 2-3  
 C-2214 4-9  
 C-2239 4-9  
 C-2246 4-3, 4-5, 4-7, 4-9  
 C-2247 4-9  
 C-3258 3-3  
 C-3269 4-5, 4-7  
 C-3902 1-3  
 C-3919 2-5, 2-7  
 C-4066 4-5, 4-7, 4-10  
 C-4262 1-3  
 C-4363 4-3, 4-5, 4-7  
 C-4387 4-3, 4-5, 4-7  
 C-4391 4-5, 4-7  
 C-4392 4-5, 4-7  
 C-4394 4-7  
 C-4396 4-3, 4-5, 4-7  
 C-4399 4-3, 4-5, 4-7  
 C-4400 4-3, 4-5, 4-7  
 C-4402 4-3

C-4404 4-3, 4-5, 4-7  
 C-4405 4-3, 4-5  
 C-4467 4-3, 4-5  
 C-4552 4-5, 4-7  
 C-4698 4-3, 4-7  
 C-507 2-8  
 C-5831 1-6  
 C-5832 1-6  
 C-5833 1-6  
 C-5834 1-6  
 C-5836 1-6  
 C-705 1-3  
 C-719 4-3, 4-5  
 C-724 4-3, 4-5  
 C-852 2-5, 2-7, 2-8  
 C12512 4-10  
 C12513 4-10  
 C12514 4-10  
 C12518 4-10  
 C12519 4-10  
 C12520 4-10  
 C14840 4-3  
 C17348 3-3  
 C18757 1-3  
 C18758 1-3  
 C18760 1-3  
 C21511 4-10  
 C31201 1-3  
 C31437 5-3  
 C32515 5-3  
 C32681 5-3  
 C32682 5-3  
 C32688 5-3  
 C32689 5-3  
 C32690 5-3  
 C32761 5-3  
 C32762 5-3  
 C32765 5-3  
 C32766 5-3

## D

D-4838 5-3  
 D-4951 5-3  
 D-5259 1-3  
 D-5272 1-4, 1-6  
 D-5275 1-3, 2-5, 2-7  
 D-5280 5-3  
 D-5488 2-3  
 D-5489 2-5, 2-7  
 D-5498 4-3  
 D-5519 1-3  
 D-5579 2-3

## F

F-3405 1-3, 2-3

F-3864 4-5, 4-7  
 F-4565 4-3, 4-5, 4-7  
 F24559 4-3

## H

H-1813 1-3  
 H-4410 4-3, 4-5, 4-7  
 H-4479 4-3, 4-5, 4-7  
 H10462 1-4  
 H18746 4-3  
 H25615 4-3, 4-5  
 H27963 1-4  
 H29011 1-4

## J

J12217 2-3

## K

K-3801 1-3  
 K-3813 2-3, 4-3, 4-5, 4-7  
 K-3821 2-3  
 K-3830 4-3  
 K-4568 2-3  
 K-4788 3-3  
 K-5331 3-3  
 K-5333 2-3  
 K-5335 2-3  
 K-5336 2-3  
 K-5337 2-3  
 K-5338 1-3  
 K-5339 2-8  
 K-5340 2-5, 2-7, 2-8  
 K-5341 2-5, 2-7, 2-8  
 K-5342 2-3  
 K-5343 2-3  
 K-5344 2-8  
 K-5345 1-3  
 K-5346 3-3  
 K-5347 1-3  
 K-5348 2-3  
 K-5349 3-3  
 K-5350 2-3  
 K-5351 2-3  
 K-5352 2-3  
 K-5358 2-3  
 K-5359 2-3  
 K-5362 2-3  
 K-5363 2-3  
 K-5365 2-3  
 K-5366 2-3  
 K-5367 1-3  
 K-5476 2-3  
 K-5477 2-3  
 K-5478 1-3  
 K-5486 2-3

K-5567 2-3  
 K-5685 4-3, 4-5, 4-7  
 K-5686 4-3, 4-5, 4-7  
 K-5688 3-3  
 K-5690 1-3  
 K-5691 2-8  
 K-5692 3-3  
 K-5693 3-3  
 K-5694 4-3, 4-5, 4-7  
 K-5695 1-3  
 K-5697 2-3  
 K-5700 3-3  
 K-5702 3-3  
 K-5703 3-3  
 K-5718 1-3  
 K-5806 4-3, 4-5, 4-7  
 K-5827 1-3  
 K10505 2-8  
 K10511 4-5  
 K11163 1-3  
 K11165 1-3  
 K11166 1-3  
 K11167 1-3  
 K12536 2-3  
 K12962 4-3, 4-5, 4-7  
 K15492 4-3, 4-5, 4-7  
 K18500 4-3  
 K18593 4-3, 4-5, 4-7  
 K21129 3-3  
 K21211 4-5  
 K21212 4-5  
 K21447 2-5, 2-7  
 K21986 2-5, 2-7  
 K24212 1-3  
 K24350 2-3  
 K25638 2-7  
 K25654 2-5, 2-7  
 K25655 2-3  
 K25656 2-3  
 K25657 2-3  
 K25658 2-3  
 K25837 2-3  
 K25838 2-3  
 K29160 6-2  
 K29164 6-2  
 K29165 6-2  
 K29170 1-3  
 K29177 6-2  
 K29464 3-3  
 K29976 4-3  
 K29977 4-3  
 K29978 4-3  
 K29979 4-3  
 K30753 5-3  
 K31994 5-3  
 K31995 5-3

K34954 2-7  
K34960 2-5, 2-7  
K37577 4-3  
K37578 4-3  
K37581 5-3  
K40350 1-3  
K40353 2-5  
K40355 2-5  
K40360 2-5  
K40362 1-3  
K40365 2-3  
K47702 4-3, 4-5

**M**

M-3388 2-3, 2-5, 2-7, 3-3

**N**

N19109 5-3  
N19866 1-4  
N19965 1-4  
N19966 1-4  
N19967 1-4  
N19968 1-4  
N19969 1-4, 1-6  
N24301 1-3  
N25463 2-3  
N31601 4-3  
N34476 1-3  
N34477 1-3  
N34478 1-3  
N34950 5-3

**S**

S-1115 2-3  
S-1197 2-5, 2-7, 2-8  
S-1203 2-3  
S-1311 3-3  
S-239 2-3, 4-3, 4-5, 4-7  
S-4730 2-3, 4-3  
S-4785 1-3  
S-711 2-3  
S-748 2-3  
S-752 2-5, 2-7, 2-8, 3-3, 4-3, 4-5, 4-7  
S-91 2-3  
S10730 2-3

**W**

W-1039 1-3  
W-131 1-4, 2-5, 2-7  
W-1383 3-3  
W-1416 3-3  
W-1474 3-3  
W-1475 3-3  
W-1537 3-3  
W-1538 3-3  
W-187 2-5, 2-7

W-1902 2-3  
W-3022 4-3  
W-342 2-3  
W-3687 3-3  
W-4056 4-3, 4-5  
W-4181 1-3, 4-3, 4-5, 4-7  
W-419 1-3  
W-473 1-4, 1-6  
W-475 2-3  
W-477 2-3, 2-5, 2-7  
W-479 2-3  
W-480 1-3, 4-3, 4-7  
W-481 3-3, 5-3  
W-485 1-3  
W-487 2-3, 2-5, 2-7, 2-8  
W-488 2-3  
W-490 2-3  
W-492 2-3  
W-493 1-3  
W-495 1-3  
W-498 2-3  
W-499 2-3, 2-5, 2-7  
W-502 2-3  
W-506 2-5, 2-7, 2-8  
W-509 1-3  
W-513 1-3, 2-3  
W-514 1-3, 2-3, 2-5, 2-7, 4-7, 5-3  
W-516 1-3, 2-3, 2-5, 2-7, 2-8, 3-3, 5-3  
W-517 2-3, 2-5, 2-7, 2-8, 6-2  
W-518 1-3  
W-520 1-3, 2-3  
W-522 1-3, 2-3  
W-523 1-3, 2-3, 2-5, 2-7, 4-7, 5-3  
W-525 1-3, 2-3, 2-5, 2-7, 2-8, 3-3  
W-526 2-3, 2-5, 2-7, 6-2  
W-527 1-3  
W-538 2-3, 4-3  
W-539 1-3, 5-3  
W-540 2-3  
W-546 1-3  
W-554 2-3  
W-558 1-3, 4-3, 4-5, 4-7  
W-575 2-3  
W-619 2-5, 2-7  
W-793 2-5, 2-7  
W-807 2-3  
W-808 2-3  
W-861 2-3  
W14503 2-5, 2-7  
W14504 2-3





**CORPORATE OFFICE AND TRAINING CENTRE**

2131 Airport Drive  
Saskatoon, SK, Canada S7L 7E1  
Tel: (306) 933-8585 Fax: (306) 933-8626  
[www.morris-industries.com](http://www.morris-industries.com)

**MANUFACTURING AND  
RESEARCH & DEVELOPMENT**

85 York Road Yorkton, SK, Canada S3N 3Z4  
Tel: (306) 783-8585 Fax: (306) 782-5250

**MANUFACTURING**

284 - 6th Ave. N.W.  
Minnedosa, MB, Canada R0J 1E0  
Tel: (204) 867-2713 Fax: (204) 867-2678

**UNITED STATES OFFICE**

P.O. Box 1117  
Minot, ND, USA 58702-1117  
Tel: 1-866-663-8515  
Fax: 1-866-663-8535

The policy of Morris Industries Ltd. is one of continuing improvement, therefore, the company reserves the right to change any specification without notice.

February 2010

Printed in Canada