



Parts Manual



QUANTUM

IMPORTANT:

ALL ITEMS ARE IDENTIFIED WITH A PART NUMBER. Some of the smaller parts such as bolts, nuts, washers, etc. are not all shown, however, the quantity used are listed in the text for that section which they fit into. That particular quantity is always the quantity required for one complete assembly.

Smaller parts, which are welded together to construct a larger part, are not to be ordered as individual pieces, unless they have a part number to identify them.

Contact your nearest dealer for genuine repair parts. Dealers carry ample stock and are backed by the manufacturer and regional associations.

MORRIS PAINT

Spray Cans:

Part Number	Description
N53713	1K Red MORRIS Touch-Up Pen 12 ml
N53715	1K Red MORRIS Aerosol Can 400 ml
N55450	2K Red Base MORRIS Aerosol Can 250 ml
N55452	2K Clear Coat MORRIS Aerosol Can 250 ml
N55453	2K Grey Primer MORRIS Aerosol Can 250 ml
N31087	Sky White MORRIS Aerosol Can 360 ml

Manuals

Part Number	Description
S66250	Operator's Manual
S66248	Metric Assembly Manual
S66249	Imperial Assembly Manual
S67901	Distribution Assembly Metric
S67900	Distribution Assembly Imperial

Table of Contents

Section 1:	
Frames	1-1
Hitch.....	1-2
Frame - Main.....	1-4
Frame - Wing.....	1-12
Wing Lift - 40 ft and 50 ft - 12m and 15m.....	1-26
Wing Lift - 60 ft and 70 ft - 18m and 21m.....	1-28
Lighting and Marking.....	1-30
Section 2:	
Wheels	2-1
Tire and Axle Assembly - Version 1.....	2-2
Tire and Axle Assembly - Version 2.....	2-3
Section 3:	
Opener	3-1
Opener Assembly.....	3-2
Body Assembly.....	3-4
Packer Arm Assembly.....	3-6
Pack Control Arm Assembly.....	3-7
Packer Wheel Assemblies.....	3-8
Injected Polymer Pair Row Kit.....	3-9
Injected Polymer Left Sideband Kit.....	3-10
Injected Polymer Right Side Band Kit.....	3-11
Single Shoot.....	3-12
Single Shoot 3” Spreader.....	3-13
Double Shoot - Paired Row.....	3-14
Double Shoot - High Pressure NH3 Kit.....	3-15
Double Shoot - Side Band - Left.....	3-16
Double Shoot - Side Band Boot - Right.....	3-17
Section 4:	
Hydraulics	4-1
Wing Lift Hydraulics - 40 ft - 12m.....	4-3
Wing Lift Hydraulics - 50 ft - 15m.....	4-5
Wing Lift Hydraulics - 60 ft and 70 ft - 18m and 21m.....	4-7
Hydraulic Extension Kit - Tow Behind Cart.....	4-8
Opener Hydraulics - 10 inch Spacing - 40 ft to 70 ft.....	4-11
Opener Hydraulics - 250 mm Spacing - 12 m to 21 m.....	4-13
Opener Hydraulics - 12 inch Spacing - 40 ft to 70 ft.....	4-15
Opener Hydraulics - 300 mm Spacing - 12 m to 21 m.....	4-17
Opener Hydraulics - 15 inch (380 mm) Spacing - 40 ft to 70 ft.....	4-19
JEM - Pressure Control System.....	4-20
Apollo - Lift and Pressure Control Kit.....	4-22
Seal Kits.....	4-24
Wing Lift Valve Block.....	4-25
Opener Valve Block.....	4-26
Section 5:	
Distribution	5-1
Quick Coupler.....	5-2
Divider Head Assembly.....	5-4
Divider Head Mounting Stands.....	5-6
Single Shoot - Tow Behind.....	5-8
Single Shoot - Tow Between.....	5-20
Dual Shoot - Tow Behind.....	5-32
Dual Shoot - Tow Between.....	5-44

Table of Contents

Section 6:

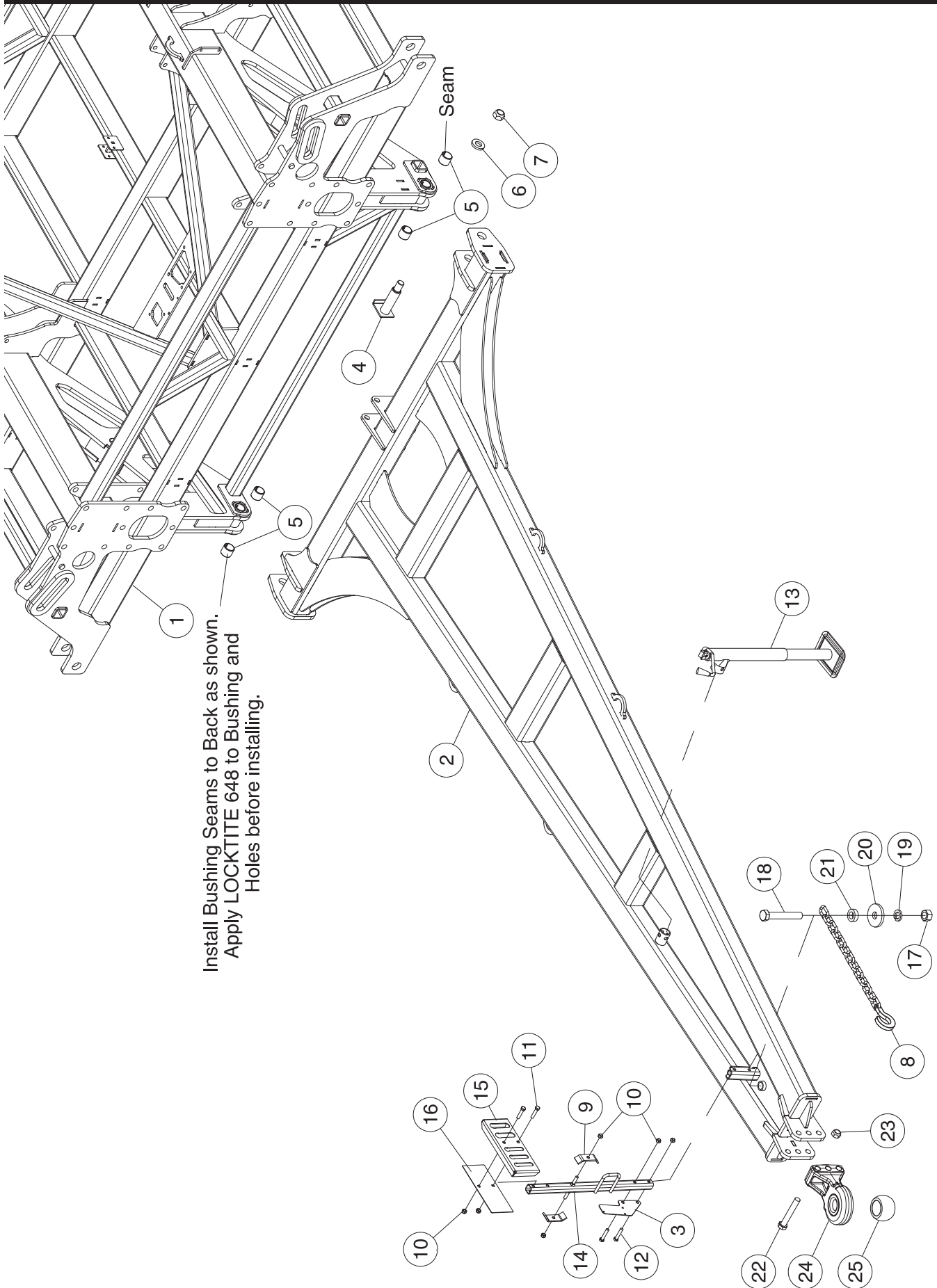
Options	6-1
Rear Tow Hitch	6-2
Remote Clutch Switch.....	6-3
4th Row Kit.....	6-4
Weight Kit.....	6-12
Index	i

Section 1: Frames

Section Contents

Hitch	1-2
Frame - Main.....	1-4
Carriage - Main	1-4
40 ft and 50 ft - 12m and 15m	1-6
60 ft - 18m	1-8
70 ft - 21m	1-10
Frame - Wing	1-12
40 ft - 12m	1-12
50 ft - 15m	1-14
50 ft - 15m - Flip Wing	1-16
60 ft - 18m - Inner Wing.....	1-18
60 ft - 18m - Outer Wing	1-20
70 ft - 21m - Inner Wing.....	1-22
70 ft - 21m - Outer Wing.....	1-24
Wing Lift - 40 ft and 50 ft - 12m and 15m	1-26
Wing Lift - 60 ft and 70 ft - 18m and 21m.....	1-28
Lighting and Marking	1-30

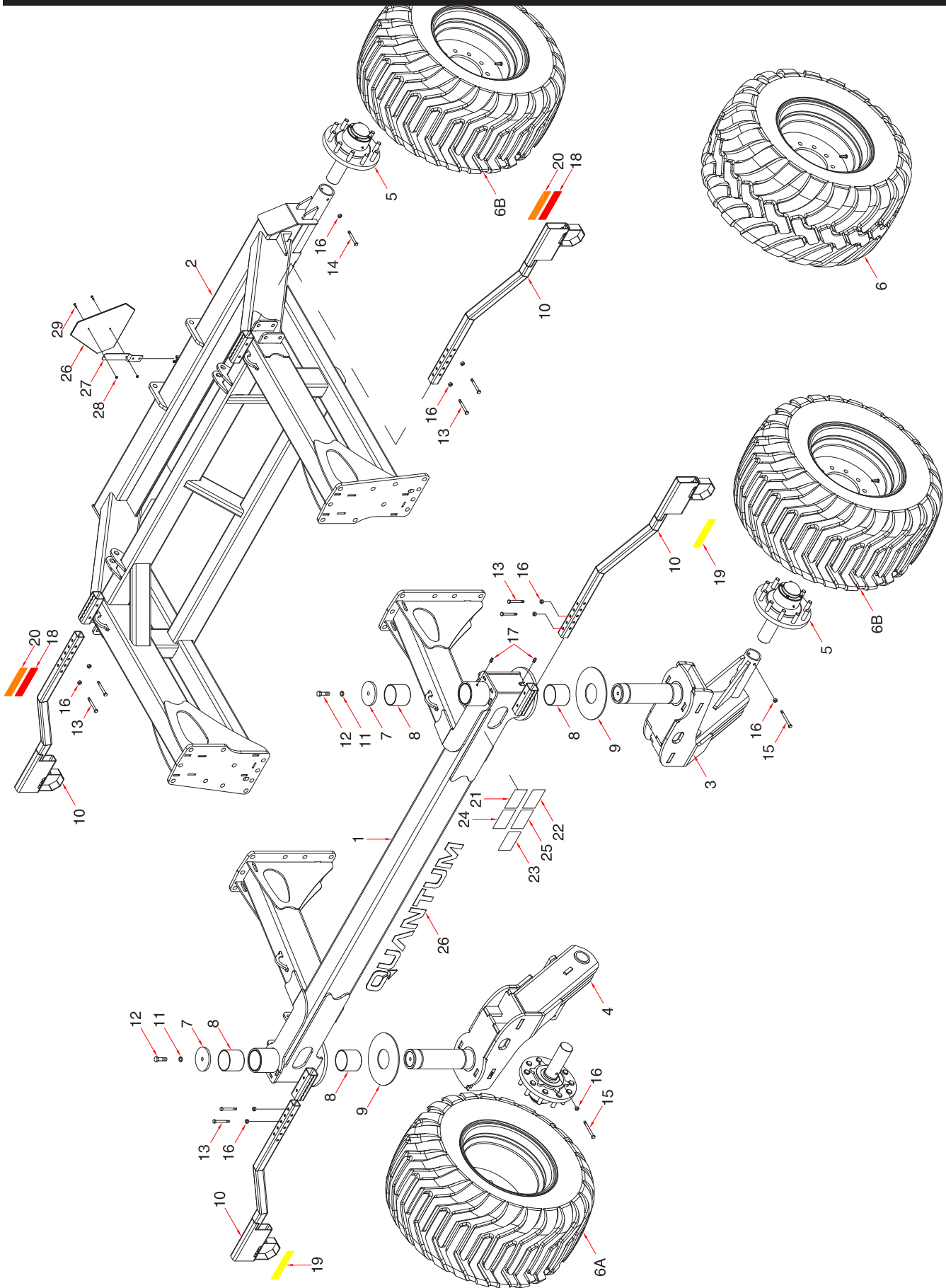
Hitch



Install Bushing Seams to Back as shown.
Apply LOCKTITE 648 to Bushing and
Holes before installing.

Hitch			
Item	Part No.	Description	Qty
1	S64240	Main Frame (Includes Item 5)	1
2	S64273	Hitch.....	1
3	N58671	Plate - Case Drain Header Mount (Tow Behind Air Cart only).....	1
4	S64360	Pin - 1 3/4 x 6 1/2 Lg.....	2
5	S64325	Spring Bushing - 1.75 ID x 2.00 OD x 1.75 Lg.....	4
6	S26462	Washer - 1 1/4 ID x 2 1/2 OD x 3/8 Thick.....	2
7	S39780	Lock Nut - 1 1/4 Unitorque	2
8	N44710	Safety Chain - 80,000 Lb	1
9	C26321	Hose Holder Clamp.....	2
10	F-3405	Locknut - 1/2 Unitorque.....	6
11	W-489	Hex Bolt - 1/2 x 2 1/4 Lg.....	2
12	W-490	Hex Bolt - 1/2 x 2 1/2 Lg.....	2
13	S39391	Top Wind Jack - 2000 Lb.	1
14	S39665	Hose Holder Stand.....	1
15	S62722	Hydraulic Hose Holder Plate - 5 Slot - Dual Fan	1
16	S62723	Back Plate - 5 Slot - Dual Fan	1
17	P61D20	Hex Nut - 1 1/4.....	1
18	S44715	Hex Bolt - 1 1/4 x 8 Lg.....	1
19	C39432	Lockwasher - 1 1/4.....	1
20	S44716	Retaining Washer - 1 5/16 ID x 4 1/4 OD x 1/2 Thick.....	1
21	S44717	Chain Link Spacer - 1 5/16 ID x 2 1/4 OD x 3/4 Thick - Required for 80,000 lb Chain.....	1
22	S42952	Hex Bolt - 1 x 6 5/8 Lg.....	3
23	D-5274	Lock Nut - 1 Unitorque	3
24	S64300	Clevis - CAT 5 (2 Diameter Draw Pin) (Includes item 25).....	1
24A	S64310	Clevis - CAT 5 (2 3/4 Diameter Draw Pin) (Includes item 25A)	
24B	S66236	Clevis - CAT 4 (1 1/2 Pin Diameter Draw Pin) (Includes item 25B) Tow Between Cart	
24C	K62145	Clevis - CAT 4 (2 Pin Diameter Draw Pin) (Includes item 25C) Tow Between Cart	
25	S65738	Clevis Insert - CAT 5 - (2 Diameter Draw Pin)	
25A	S65742	Clevis Insert - CAT 5 - (2 3/4 Diameter Draw Pin)	
25B	S65740	Clevis Insert - CAT 4 - (1 1/2 Diameter Draw Pin)	
25C	S67388	Clevis Insert - CAT 4 - (2 Diameter Draw Pin)	
	S66442	Decal - MORRIS (Not Shown)	2
		Used to attach to a Tow Between Cart as follows:	
		S66236 Clevis CAT 4 - 1 1/2 Pin Diameter Draw Pin	
		- 9365, 9450 Tow Between Carts	
		- 9445, 9550 and 9650 Tow Between Carts - Prior to 2016	
		- 9240s, 9252s and 9300s Tow Between Carts	
		K62145 Clevis CAT 4 - 2 Diameter Draw Pin	
		- 9445, 9550 and 9650 Tow Between Carts - 2016 to Present	
		- 9800 and 91000 Tow Between Carts	

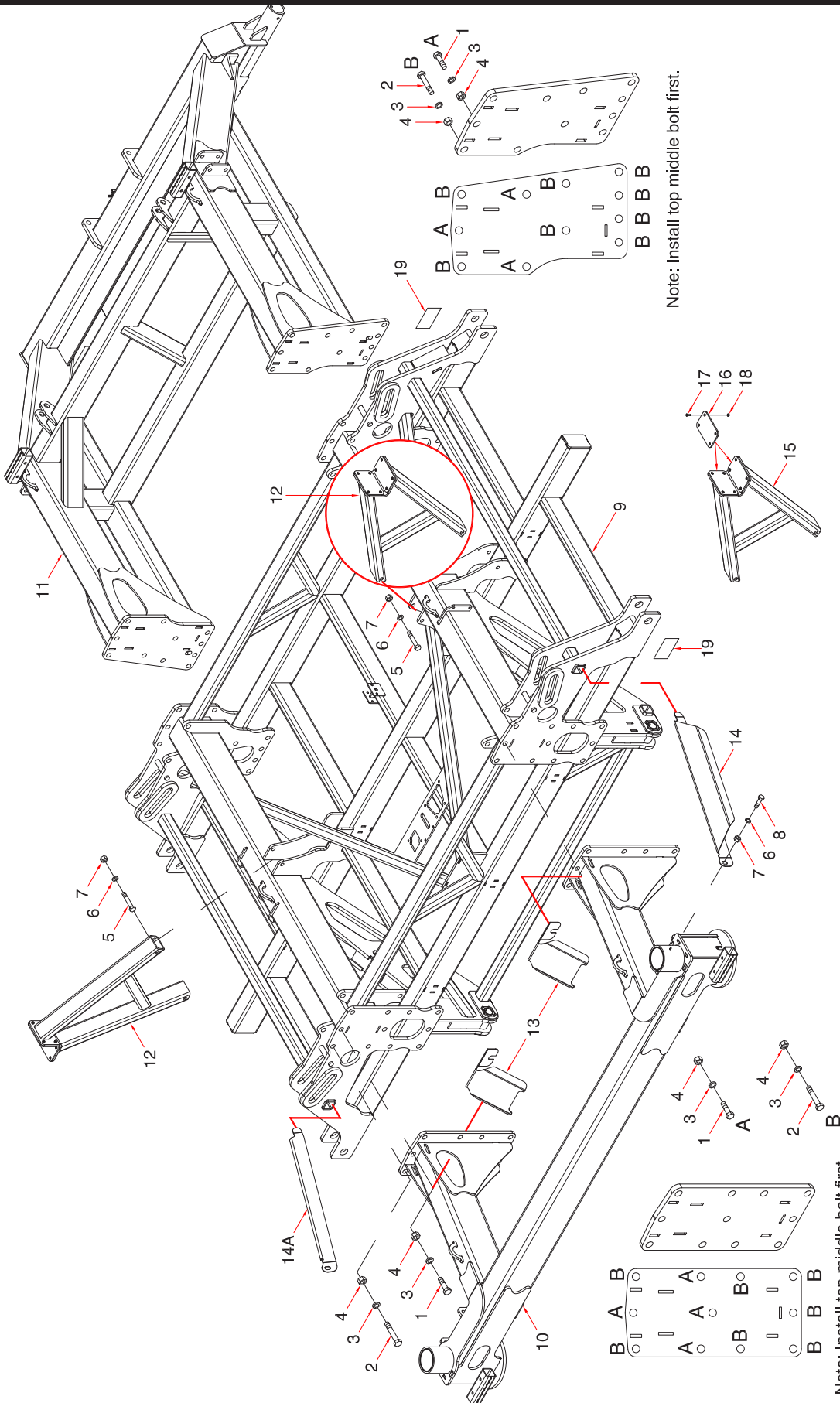
Frame - Main Carriage - Main



Frame - Main - Carriage Main

Item	Part No.	Description	Qty
1	S64200	Front Carriage (Includes items 8 and 17)	1
2	S64225	Rear Carriage.....	1
3	S66294	Castor - Main - Left	1
4	S66296	Castor - Main - Right.....	1
5	S64970	Axle and Spindle Assembly.....	4
6	S64960	Tire and Rim Assembly - By-Directional	4
6A	K65090	Tire and Rim Assembly - Left (Shown above) . . . use on right side of machine.....	2
6B	K65091	Tire and Rim Assembly - Right (Not Shown) . . . use on left side of machine	2
7	S64955	Cap - Castor Main - 6 Diameter	2
8	S64948	Bushing - 4 1/2 ID x 4 3/4 OD x 4 Lg	4
9	S64950	Wear Disc - 4 9/16 ID x 12 OD x 1/4 Thick.....	2
10	S64900	Tube - Mounting - Lighting.....	4
11	W-527	Lockwasher - 3/4.....	2
12	C-695	Bolt - 3/4 x 2 Lg.....	2
13	D-5519	Hex Bolt - 1/2 x 3 1/4.....	8
14	S-951	Bolt - 1/2 x 4 1/2 Lg.....	2
15	W-496	Bolt - 1/2 x 5 1/2 Lg.....	2
16	F-3405	Locknut - 1/2 Unitorque.....	12
17	S-752	Grease Nipple	4
18	N34476	Reflector - Red	2
19	N34477	Reflector - Amber	2
20	N34478	Reflector - Orange.....	2
21	S65150	Decal - Caution: Avoid injury	1
22	S65151	Decal - Warning: Before Servicing	1
23	S65152	Decal - Warning: HIGH-PRESSURE FLUID HAZARD	1
24	S65154	Decal - Warning: No Riders.....	1
25	S65155	Decal - Warning: Crushing Hazard.....	1
26	S66246	Decal - QUANTUM.....	1
26	N34475	SMV Sign.....	1
27	N34643	Spade Mount Bracket.....	1
28	N22778	Locknut - 1/4 Nylon Insert.....	2
29	K-3830	Hex Bolt - 1/4 x 1/2 Lg.....	2
	C25809	Decal - Grease 50 Hours (Not Shown)	2
	S55498	Decal - Patent (Not Shown).....	1
	S67899	Decat - Patent (Not Shown)	1
	11547	Decal - Patent Pending (Not Shown).....	1

Frame - Main 40 ft and 50 ft - 12m and 15m



Frame - Main - 40 ft and 50 ft - 12m and 15m

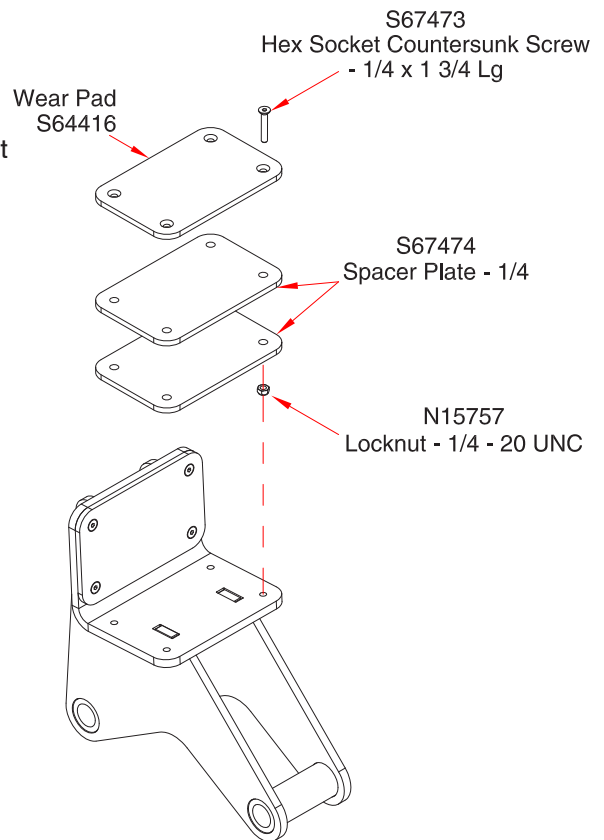
Item	Part No.	Description	Qty
1	J12344	Hex Bolt - 1 x 3 Lg (Hole A).....	14
2	C18597	Hex Bolt - 1 x 8 Lg (Hole B)	30
3	C-705	Lockwasher - 1.....	44
4	W-520	Hex Nut - 1.....	44
5	D-5558	Hex Bolt - 3/4 x 6 Lg.....	4
6	W-527	Lockwasher - 3/4.....	6
7	W-518	Hex Nut - 3/4.....	6
8	BW-10	Hex Bolt - 3/4 x 1 3/4 Lg.....	2
9	S64240	Main Frame	1
10	S64200	Front Carriage	1
11	S64225	Rear Carriage.....	1
12	S65375	Wing Rest Assembly	2
13	S67250	Primary Hose Deflector	2
14	S66430	Primary Hose Hose Suport - Main - Left side (shown)	1
14A	S66435	Primary Hose Hose Suport - Main - Right side	1
Quantities given per Wing Rest Assembly			
15	S65330	Wing Rest.....	1
16	S64416	Wear Pad	2
17	C32741	Hex Socket Countersunk Screw - 1/4 x 1 Lg.....	8
18	N15757	Locknut - 1/4 - 20 UNC	8
19	S65153	Decal - Danger: Crushing Hazard.....	4

Wing Rest Spacer Plate Kit

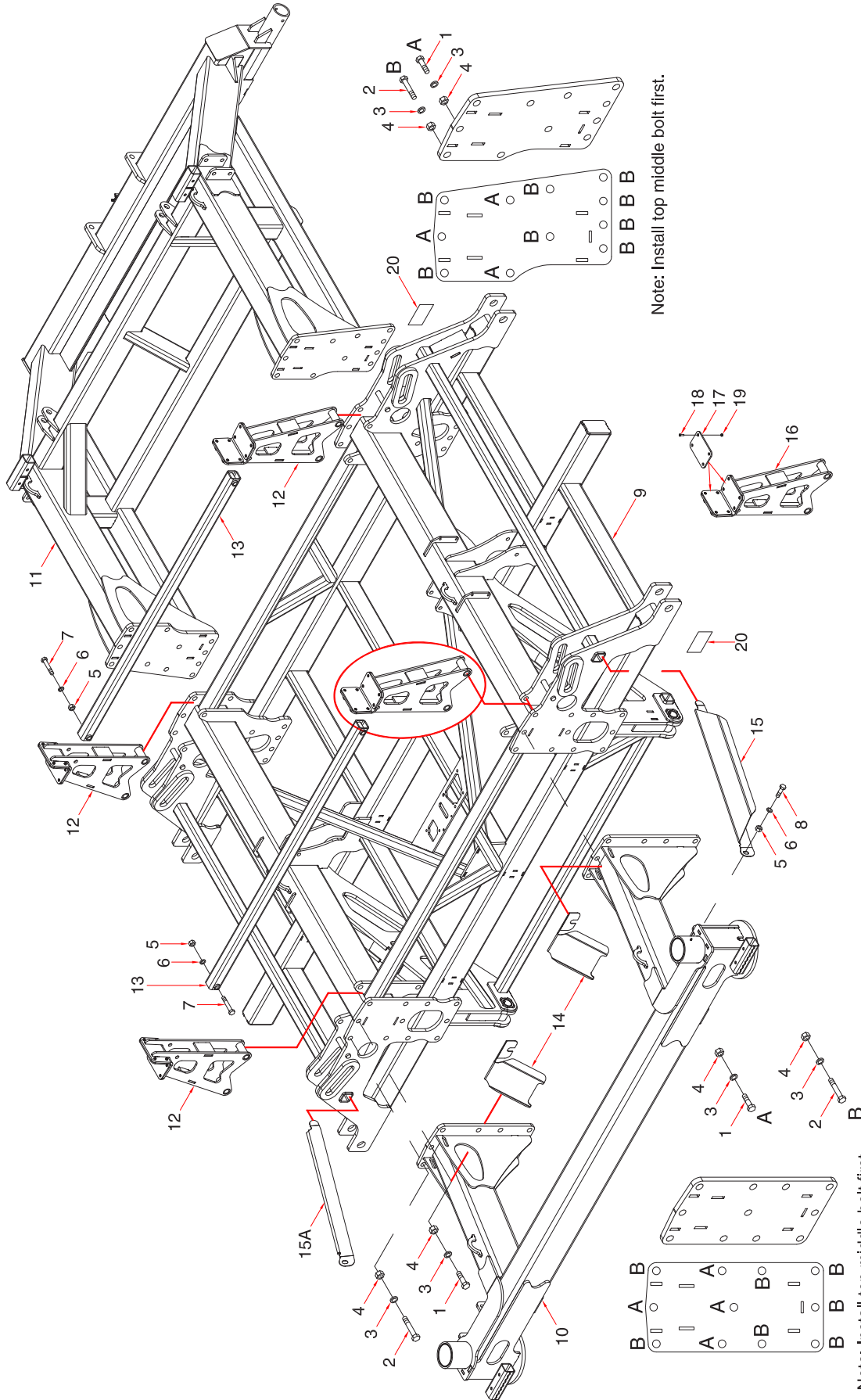
Two S67475 Spacer Plate Kits are provided to adjust wear pad height to ensure outer wings rests on pad.

Kit S67475 includes:

- 4 of N15757 Locknut - 1/4 - 20 UNC
- 4 of S67473 Countersunk Screw - 1/4 x 1 3/4 Lg
- 2 of S67474 Spacer Plate - 1/4



Frame - Main 60 ft - 18m



Frame - Main - 60 ft - 18m

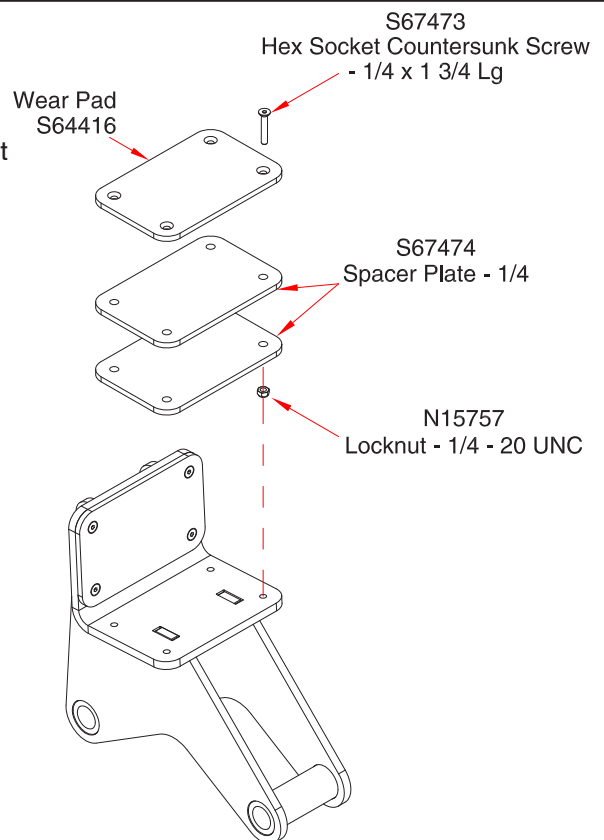
Item	Part No.	Description	Qty
1	J12344	Hex Bolt - 1 x 3 Lg (Hole A).....	14
2	C18597	Hex Bolt - 1 x 8 Lg (Hole B)	30
3	C-705	Lockwasher - 1.....	44
4	W-520	Hex Nut - 1.....	44
5	W-518	Hex Nut - 3/4.....	6
6	W-527	Lockwasher - 3/4.....	6
7	S-1191	Hex Bolt - 3/4 x 5 Lg.....	4
8	BW-10	Hex Bolt - 3/4 x 1 3/4 Lg.....	2
9	S64240	Main Frame	1
10	S64200	Front Carriage	1
11	S64225	Rear Carriage.....	1
12	S65360	Wing Rest Assembly (Includes items 16 - 19).....	4
13	S64994	Wing Rest - Tie Bar	2
14	S67250	Primary Hose Deflector	2
15	S66430	Primary Hose Hose Suport - Main - Left side (shown).....	1
15A	S66435	Primary Hose Hose Suport - Main - Right side	1
Quantities given per Wing Rest Assembly			
16	S64995	Wing Rest.....	1
17	S64416	Wear Pad	2
18	C32741	Hex Socket Countersunk Screw - 1/4 x 1 Lg.....	8
19	N15757	Locknut - 1/4 - 20 UNC	8
20	S65153	Decal - Danger: Crushing Hazard.....	4

Wing Rest Spacer Plate Kit

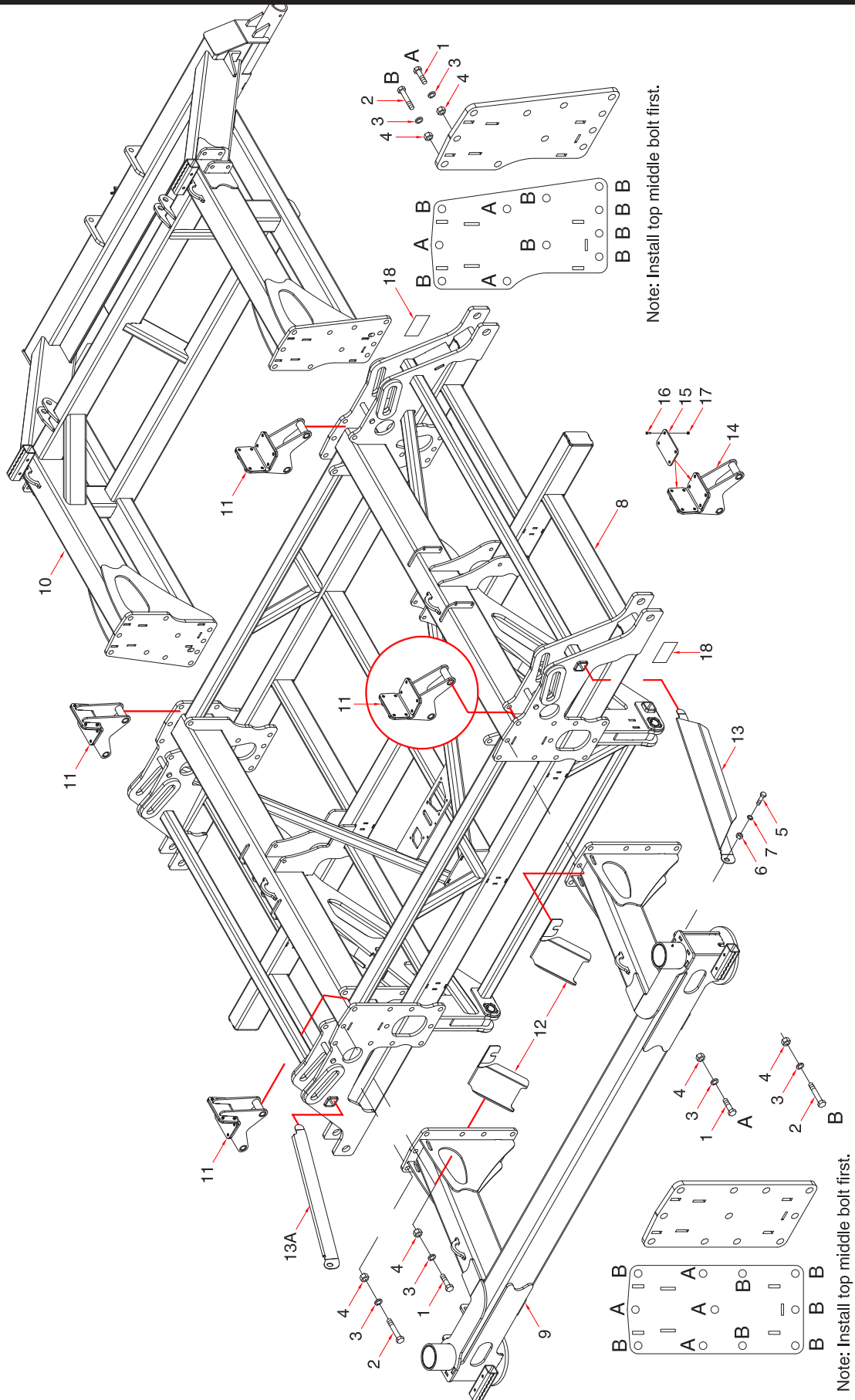
Two S67475 Spacer Plate Kits are provided to adjust wear pad height to ensure outer wings rests on pad.

Kit S67475 includes:

- 4 of N15757 Locknut - 1/4 - 20 UNC
- 4 of S67473 Countersunk Screw - 1/4 x 1 3/4 Lg
- 2 of S67474 Spacer Plate - 1/4



Frame - Main 70 ft - 21m



Frame - Main - 70 ft - 21m

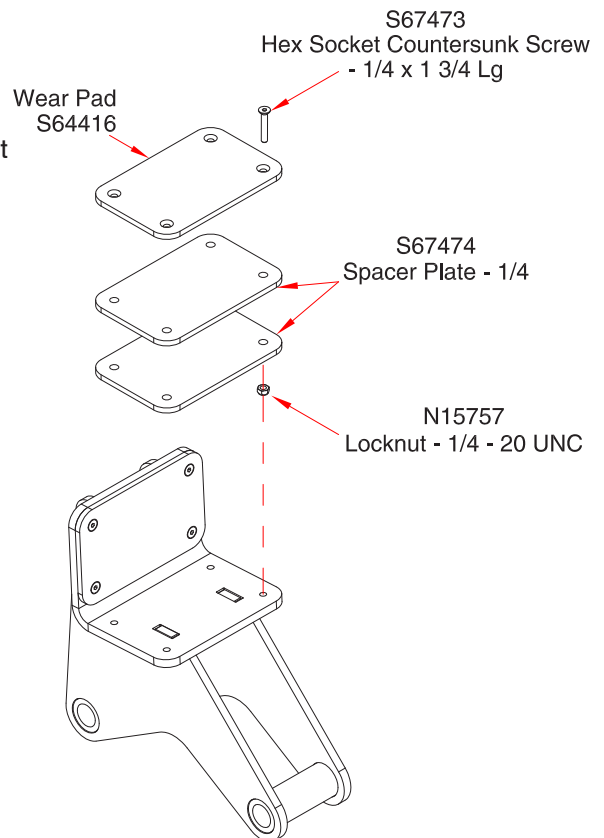
Item	Part No.	Description	Qty
1	J12344	Hex Bolt - 1 x 3 Lg (Hole A).....	14
2	C18597	Hex Bolt - 1 x 8 Lg (Hole B)	30
3	C-705	Lockwasher - 1.....	44
4	W-520	Hex Nut - 1.....	44
5	BW-10	Hex Bolt - 3/4 x 1 3/4 Lg.....	2
6	W-527	Lockwasher - 3/4.....	2
7	W-518	Hex Nut - 3/4.....	2
8	S64240	Main Frame	1
9	S64200	Front Carriage	1
10	S64225	Rear Carriage.....	1
11	S65370	Wing Rest Assembly (Includes items 14 - 17)	4
12	S67250	Primary Hose Deflector	2
13	S66430	Primary Hose Support - Main - Left side (shown)	1
13A	S66435	Primary Hose Support - Main - Right side	1
Quantities given per Wing Rest Assembly			
14	S64390	Wing Rest.....	1
15	S64416	Wear Pad	2
16	C32741	Hex Socket Countersunk Screw - 1/4 x 1 Lg.....	8
17	N15757	Locknut - 1/4 - 20 UNC	8
18	S65153	Decal - Danger: Crushing Hazard.....	4

Wing Rest Spacer Plate Kit

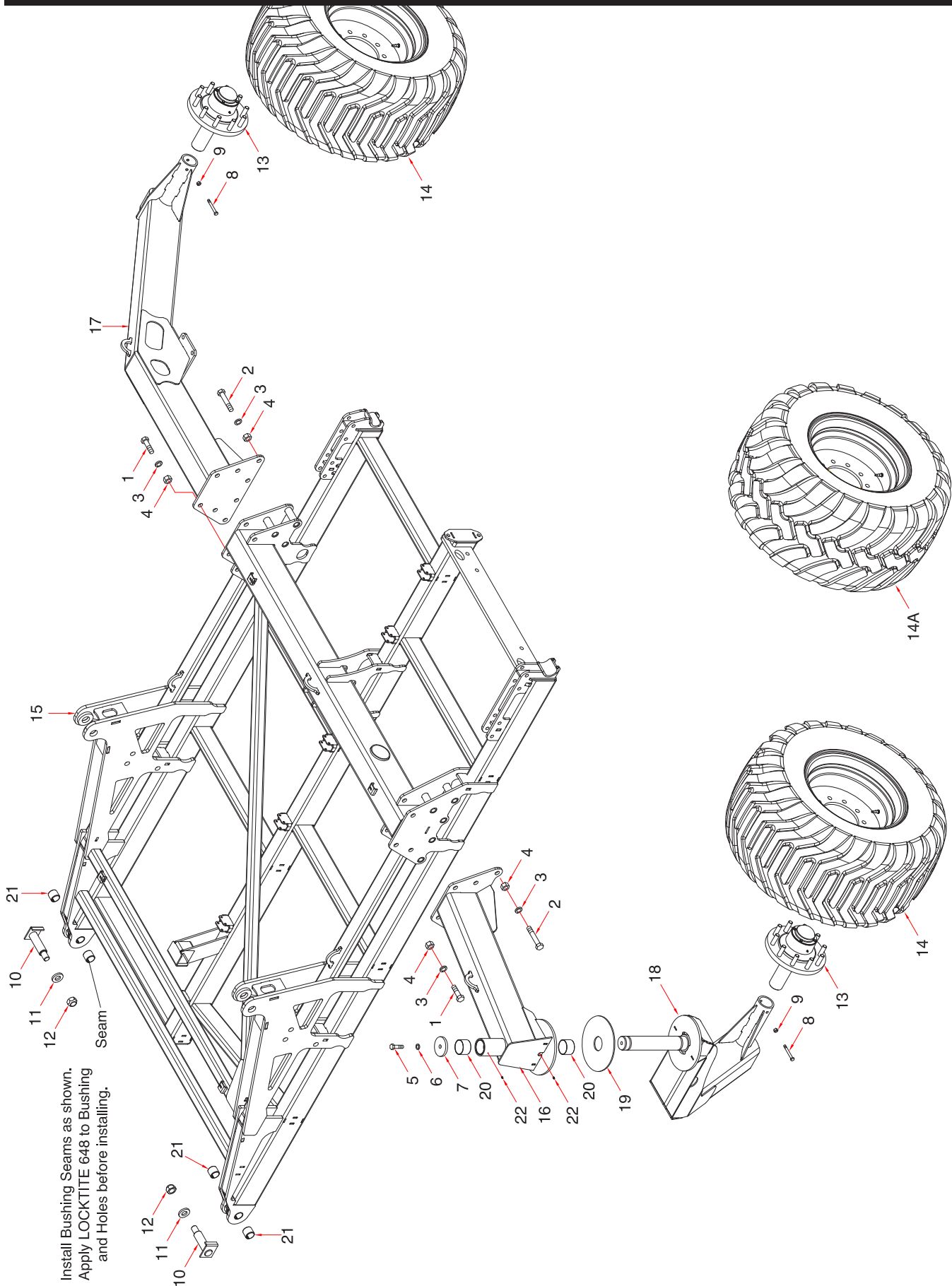
Two S67475 Spacer Plate Kits are provided to adjust wear pad height to ensure outer wings rests on pad.

Kit S67475 includes:

- 4 of N15757 Locknut - 1/4 - 20 UNC
- 4 of S67473 Countersunk Screw - 1/4 x 1 3/4 Lg
- 2 of S67474 Spacer Plate - 1/4



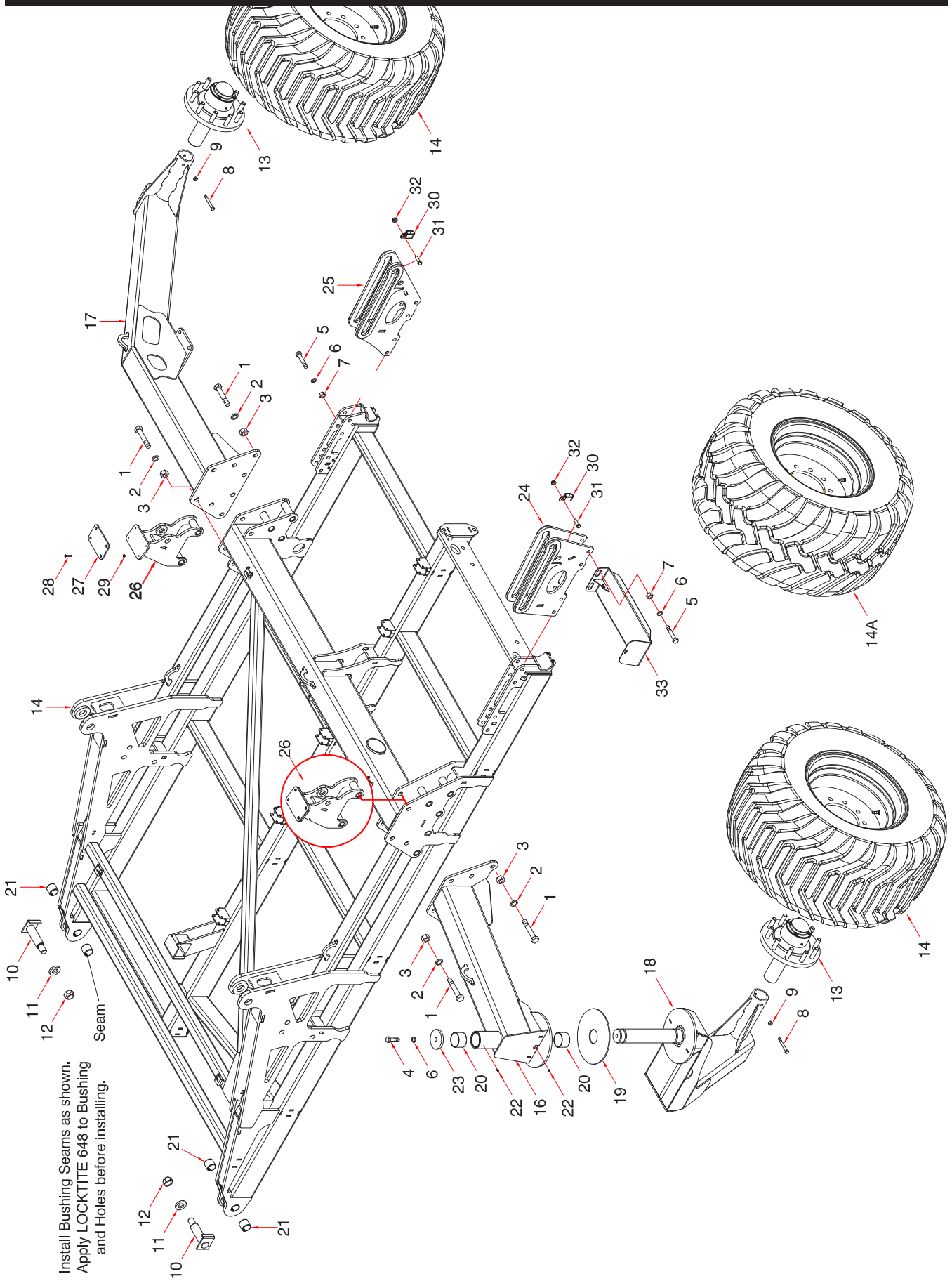
Frame - Wing 40 ft - 12m



Frame - Wing - 40 ft - 12m

Item	Part No.	Description	Qty
		Quantities given per Wing	
1	J12344	Hex Bolt - 1 x 3 Lg.....	4
2	D12903	Hex Bolt - 1 x 7 Lg.....	12
3	C-705	Lockwasher - 1.....	16
4	W-520	Hex Nut - 1.....	16
5	C-695	Hex Bolt - 3/4 x 2 Lg.....	1
6	W-527	Lockwasher - 3/4.....	1
7	S64303	Cap - Castor Wing - 4 1/4 Dia.....	1
8	S-951	Bolt - 1/2 x 4 1/2 Lg.....	2
9	F-3405	Lock Nut - 1/2 Unitorque.....	2
10	S64305	Pin - 1 3/4 x 5 1/2 Lg.....	2
11	S26462	Washer - 1 1/4 ID x 2 1/2 OD x 3/8 Thick.....	2
12	S39780	Lock Nut - 1 1/4 Unitorque.....	2
13	S64970	Axle and Spindle Assembly.....	2
14	K65091	Tire and Rim Assembly - Right (Shown) . . . use on left side of machine.....	2
	K65090	Tire and Rim Assembly - Left (Not Shown) . . . use on right side of machine	
14A	S64960	Tire and Rim Assembly - By-Directional	2
15	S65305	Wing - Left.....	1
	S65310	Wing - Right (Not Shown).....	1
16	S64335	Front Depth Beam (Includes items 20 and 22).....	1
17	S66474	Rear Depth Beam - Left.....	1
	S66476	Rear Depth Beam - Right (Not Shown).....	1
18	S66295	Castor - Wing - Left.....	1
	S66297	Castor - Wing - Right (Not Shown).....	1
19	S64210	Wear Disc - 3 1/16 ID x 12 OD x 1/4 Thick.....	1
20	S64944	Bushing - 3.00 ID x 3.188 OD x 2 Lg.....	2
21	S64325	Bushing - Spring - 1.75 x 2.00 x 1.75 Lg Nominal Size.....	2
22	S-752	Grease Nipple.....	2
	C25809	Decal - Grease 50 Hours (Not Shown).....	1

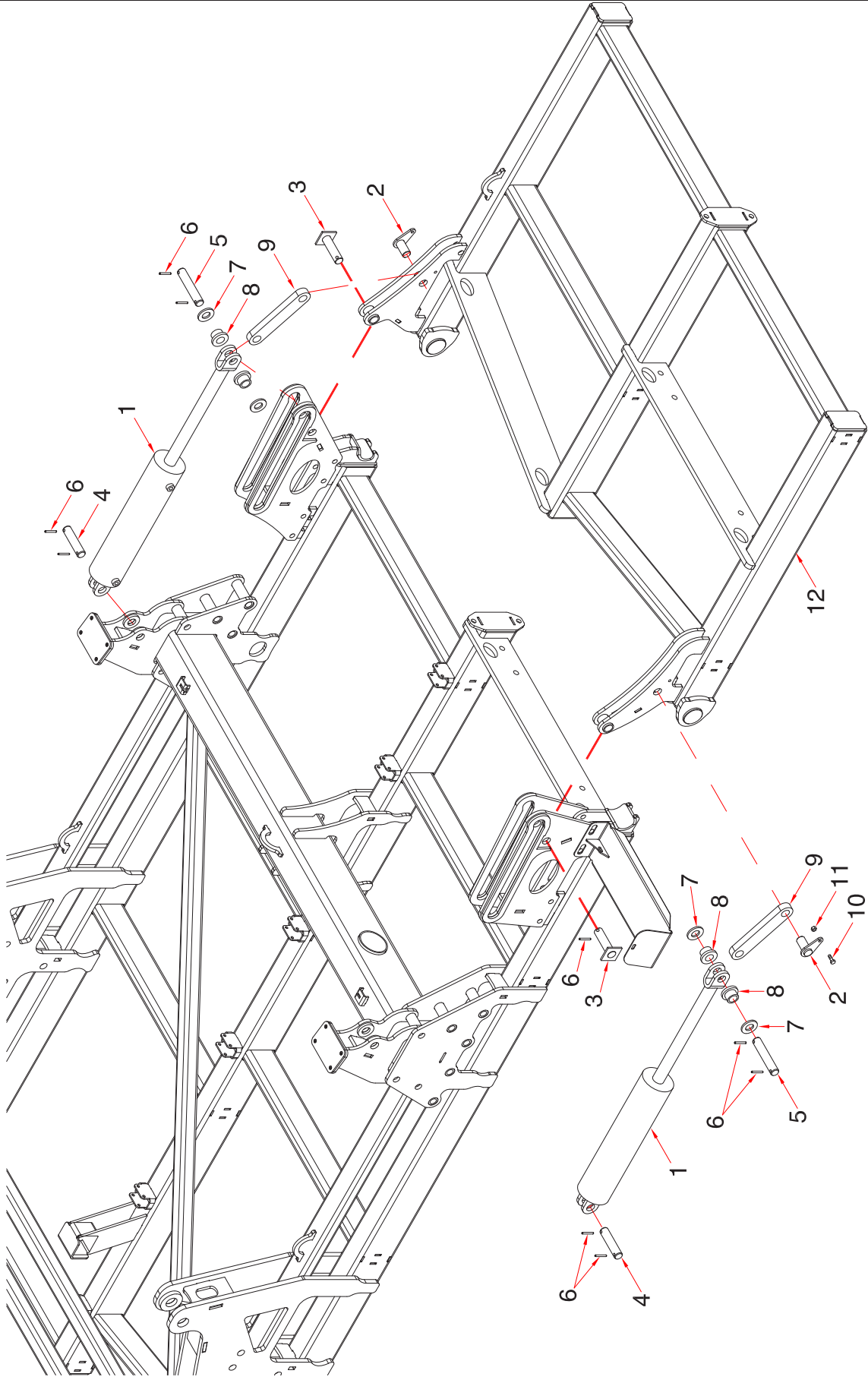
Frame - Wing 50 ft - 15m



Frame - Wing - 50 ft - 15m

Item	Part No.	Description	Qty
		Quantities given per Wing	
1	D12903	Hex Bolt - 1 x 7 Lg.....	16
2	C-705	Lockwasher - 1.....	16
3	W-520	Hex Nut - 1.....	16
4	C-695	Hex Bolt - 3/4 x 2 Lg.....	1
5	S-1191	Hex Bolt - 3/4 x 5 Lg.....	8
6	W-527	Lockwasher - 3/4.....	9
7	W-518	Hex Nut - 3/4.....	8
8	S-951	Bolt - 1/2 x 4 1/2 Lg.....	2
9	F-3405	Lock Nut - 1/2 Unitorque.....	2
10	S64305	Pin - 1 3/4 x 5 1/2 Lg.....	2
11	S26462	Washer - 1 1/4 ID x 2 1/2 OD x 3/8 Thick.....	2
12	S39780	Lock Nut - 1 1/4 Unitorque.....	2
13	S64970	Axle and Spindle Assembly.....	2
14	K65091	Tire and Rim Assembly - Right (Shown) . . . use on left side of machine.....	2
	K65090	Tire and Rim Assembly - Left (Not Shown) . . . use on right side of machine.....	
14A	S64960	Tire and Rim Assembly - By-Directional	2
15	S65305	Wing - Left.....	1
	S65310	Wing - Right (Not Shown).....	1
16	S64335	Front Depth Beam (Includes items 20 and 22).....	1
17	S66474	Rear Depth Beam - Left.....	1
	S66476	Rear Depth Beam - Right (Not Shown).....	1
18	S66295	Castor - Wing - Left.....	1
	S66297	Castor - Wing - Right (Not Shown).....	1
19	S64210	Wear Disc - 3 1/16 ID x 12 OD x 1/4 Thick.....	1
20	S64944	Bushing - 3.00 ID x 3.188 OD x 2 Lg.....	2
21	S64325	Bushing - Spring - 1.75 x 2.00 x 1.75 Lg Nominal Size.....	2
22	S-752	Grease Nipple.....	2
	C25809	Decal - Grease 50 Hours (Not Shown).....	1
23	S64303	Cap - Castor Wing - 4 1/4 Dia.....	1
24	S65340	Front Flip Hinge.....	1
25	S65345	Rear Flip Hinge.....	1
26	S65365	Wing Rest.....	2
27	S64416	Wear Pad.....	2
28	C32741	Hex Socket Countersunk Screw - 1/4 x 1 Lg.....	8
29	N15757	Locknut - 1/4 - 20 UNC.....	8
30	S66255	Hose Holder.....	2
31	W-475	Hex Bolt - 3/8 x 1 Lg.....	2
32	D-5279	Locknut - 3/8 Serrated.....	2
33	N67295	Primary Hose Guide Plate - Wing.....	1

Frame - Wing
50 ft - 15m - Flip Wing



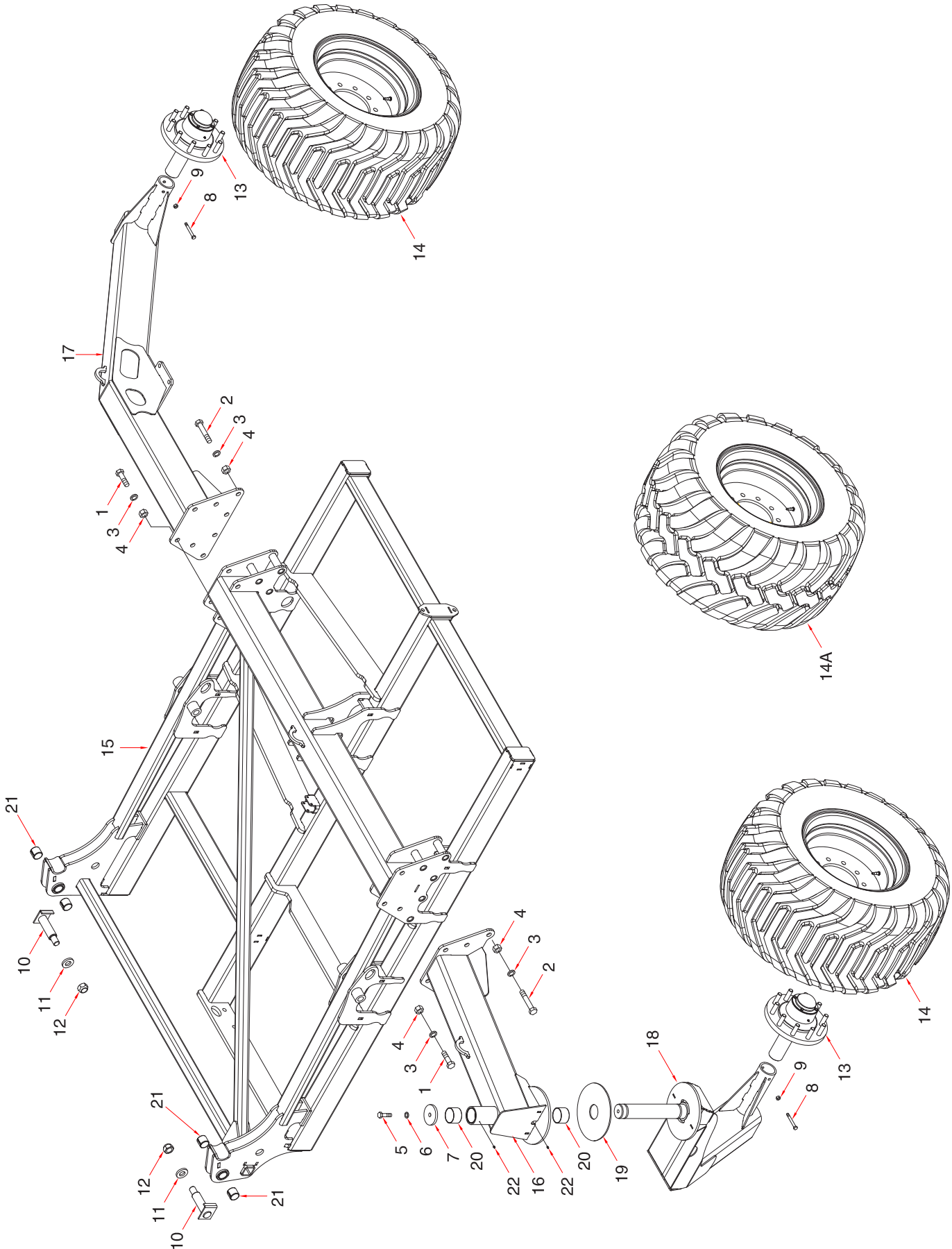
Frame - Wing - 50 ft - 15m - Flip Wing

Item	Part No.	Description	Qty
Quantities given per Wing			
1	C65366	Cylinder - 4 1/2 x 18	2
2	S65374	Pin - 1 1/4 x 2 3/8 UL	2
3	S45796	Pin - 1 1/4 x 4 1/16 UL	2
4	S65372	Pin - 1 1/4 x 4 1/4 UL	2
5	S65368	Pin - 1 1/4 x 5 5/8 UL	2
6	T-5245	Spiral Pin - 3/8 x 2 1/2 Lg.....	10
7	N13962	Flat Washer - 1 9/32 ID x 2 1/2 OD x 1/4 Thick.....	4
8	S65367	Wing Lift Roller - 1.281 ID x 1.75 OD x 2 1/2 OD x 1 13/32 Lg	4
9	S65369	Wing Lift Link - 1 x 2 3/8 x 11 5/8 Lg - 1.281 Dia holes - 9 1/4 Hole Centers.....	2
10	W-187	Hex Bolt - 3/8 x 1 1/4.....	2
11	M-3388	Hex Lock Nut - 3/8	2
12	S65350	Wing - Left	1
	S65355	Wing - Right (Not Shown)	1
13	S65153	Decal - Danger: Crushing Hazard.....	2

Frame - Wing - 60 ft - 18m - Inner Wing

Item	Part No.	Description	Qty
		Quantities given per Wing	
1	J12344	Hex Bolt - 1 x 3 Lg.....	4
2	D12903	Hex Bolt - 1 x 7 Lg.....	12
3	C-705	Lockwasher - 1.....	16
4	W-520	Hex Nut - 1.....	16
5	C-695	Hex Bolt - 3/4 x 2 Lg.....	1
6	W-527	Lockwasher - 3/4.....	1
7	S64303	Cap - Castor Wing - 4 1/4 Dia	1
8	S-951	Bolt - 1/2 x 4 1/2 Lg.....	2
9	F-3405	Lock Nut - 1/2 Unitorque	2
10	S64305	Pin - 1 3/4 x 5 1/2 Lg.....	2
11	S26462	Washer - 1 1/4 ID x 2 1/2 OD x 3/8 Thick.....	2
12	S39780	Lock Nut - 1 1/4 Unitorque	2
13	S64970	Axle and Spindle Assembly.....	2
14	K65091	Tire and Rim Assembly - Right (Shown) . . . use on left side of machine.....	2
	K65090	Tire and Rim Assembly - Left (Not Shown) . . . use on right side of machine	
14A	S64960	Tire and Rim Assembly - By-Directional	2
15	S64961	Wing Inner - Left.....	1
	S64963	Wing Inner - Right (Not Shown)	1
16	S64335	Front Depth Beam (Includes items 20 and 22).....	1
17	S66474	Rear Depth Beam - Left.....	1
	S66476	Rear Depth Beam - Right (Not Shown).....	1
18	S66295	Castor - Wing - Left	1
	S66297	Castor - Wing - Right (Not Shown).....	1
19	S64210	Wear Disc - 3 1/16 ID x 12 OD x 1/4 Thick.....	1
20	S64944	Bushing - 3.00 ID x 3.188 OD x 2 Lg	2
21	S64325	Bushing - Spring - 1.75 x 2.00 x 1.75 Lg Nominal Size.....	2
22	S-752	Grease Nipple	2
	C25809	Decal - Grease 50 Hours (Not Shown)	1
23	S64416	Wear Pad	2
24	C32741	Hex Socket Countersunk Screw - 1/4 x 1 Lg.....	8
25	N15757	Locknut - 1/4 - 20 UNC	8
26	S66255	Hose Holder	2
27	W-475	Hex Bolt - 3/8 x 1 Lg.....	2
28	D-5279	Locknut - 3/8 Serrated.....	2
29	S65153	Decal - Danger: Crushing Hazard.....	2

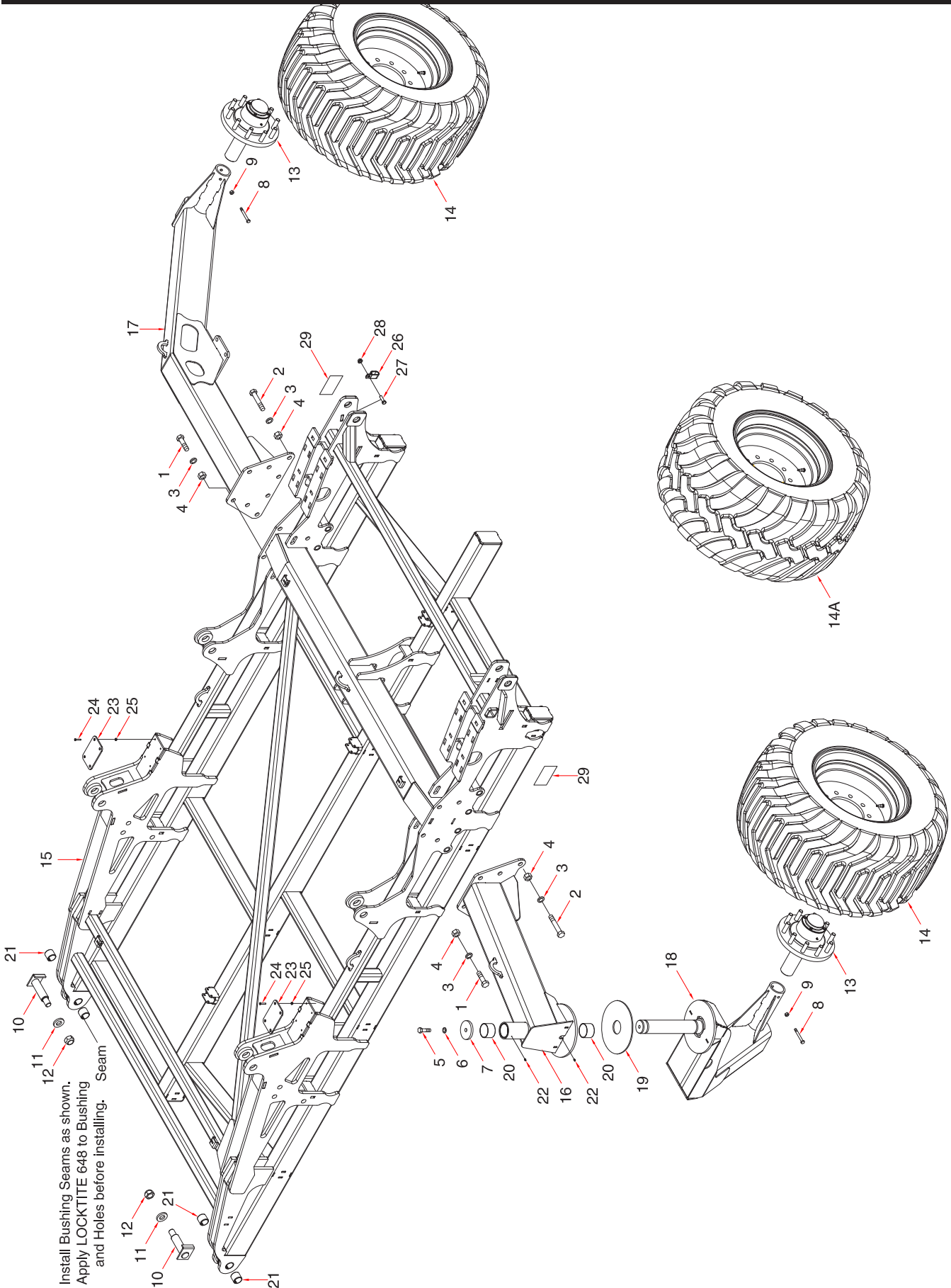
Frame - Wing 60 ft - 18m - Outer Wing



Frame - Wing - 60 ft - 18m - Outer Wing

Item	Part No.	Description	Qty
		Quantities given per Wing	
1	J12344	Hex Bolt - 1 x 3 Lg.....	4
2	D12903	Hex Bolt - 1 x 7 Lg.....	12
3	C-705	Lockwasher - 1.....	16
4	W-520	Hex Nut - 1.....	16
5	C-695	Hex Bolt - 3/4 x 2 Lg.....	1
6	W-527	Lockwasher - 3/4.....	1
7	S64303	Cap - Castor Wing - 4 1/4 Dia.....	1
8	S-951	Bolt - 1/2 x 4 1/2 Lg.....	2
9	F-3405	Lock Nut - 1/2 Unitorque.....	2
10	S64305	Pin - 1 3/4 x 5 1/2 Lg.....	2
11	S26462	Washer - 1 1/4 ID x 2 1/2 OD x 3/8 Thick.....	2
12	S39780	Lock Nut - 1 1/4 Unitorque.....	2
13	S64970	Axle and Spindle Assembly.....	2
14	K65091	Tire and Rim Assembly - Right (Shown) . . . use on left side of machine.....	2
	K65090	Tire and Rim Assembly - Left (Not Shown) . . . use on right side of machine	
14A	S64960	Tire and Rim Assembly - By-Directional	2
15	S64967	Wing Outer - Left.....	1
	S64969	Wing Outer - Right (Not Shown).....	1
16	S64335	Front Depth Beam (Includes items 20 and 22).....	1
17	S66474	Rear Depth Beam - Left.....	1
	S66476	Rear Depth Beam - Right (Not Shown).....	1
18	S66295	Castor - Wing - Left.....	1
	S66297	Castor - Wing - Right (Not Shown).....	1
19	S64210	Wear Disc - 3 1/16 ID x 12 OD x 1/4 Thick.....	1
20	S64944	Bushing - 3.00 ID x 3.188 OD x 2 Lg.....	2
21	S64325	Bushing - Spring - 1.75 x 2.00 x 1.75 Lg Nominal Size.....	2
22	S-752	Grease Nipple.....	2
	C25809	Decal - Grease 50 Hours (Not Shown).....	1

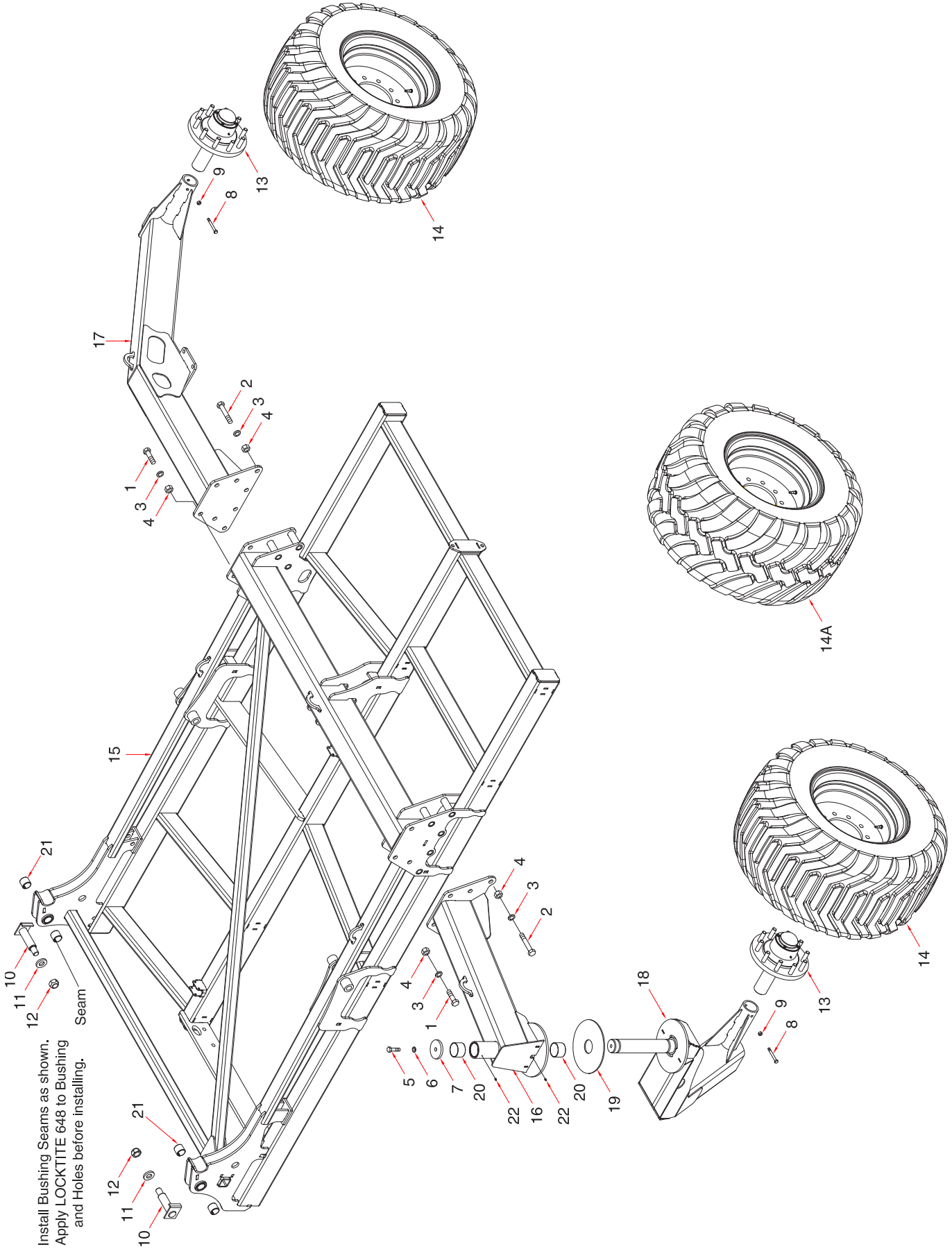
Frame - Wing 70 ft - 21m - Inner Wing



Frame - Wing - 70 ft - 21m - Inner Wing

Item	Part No.	Description	Qty
		Quantities given per Wing	
1	J12344	Hex Bolt - 1 x 3 Lg.....	4
2	D12903	Hex Bolt - 1 x 7 Lg.....	12
3	C-705	Lockwasher - 1.....	16
4	W-520	Hex Nut - 1.....	16
5	C-695	Hex Bolt - 3/4 x 2 Lg.....	1
6	W-527	Lockwasher - 3/4.....	1
7	S64303	Cap - Castor Wing - 4 1/4 Dia.....	1
8	S-951	Bolt - 1/2 x 4 1/2 Lg.....	2
9	F-3405	Lock Nut - 1/2 Unitorque.....	2
10	S64305	Pin - 1 3/4 x 5 1/2 Lg.....	2
11	S26462	Washer - 1 1/4 ID x 2 1/2 OD x 3/8 Thick.....	2
12	S39780	Lock Nut - 1 1/4 Unitorque.....	2
13	S64970	Axle and Spindle Assembly.....	2
14	K65091	Tire and Rim Assembly - Right (Shown) . . . use on left side of machine.....	2
	K65090	Tire and Rim Assembly - Left (Not Shown) . . . use on right side of machine.....	
14A	S64960	Tire and Rim Assembly - By-Directional	2
15	S64290	Wing Inner - Left.....	1
	S64250	Wing Inner - Right (Not Shown).....	1
16	S64335	Front Depth Beam (Includes items 20 and 22).....	1
17	S66474	Rear Depth Beam - Left.....	1
	S66476	Rear Depth Beam - Right (Not Shown).....	1
18	S66295	Castor - Wing - Left.....	1
	S66297	Castor - Wing - Right (Not Shown).....	1
19	S64210	Wear Disc - 3 1/16 ID x 12 OD x 1/4 Thick.....	1
20	S64944	Bushing - 3.00 ID x 3.188 OD x 2 Lg.....	2
21	S64325	Bushing - Spring - 1.75 x 2.00 x 1.75 Lg Nominal Size.....	2
22	S-752	Grease Nipple.....	2
	C25809	Decal - Grease 50 Hours (Not Shown).....	1
23	S64416	Wear Pad.....	2
24	C32741	Hex Socket Countersunk Screw - 1/4 x 1 Lg.....	8
25	N15757	Locknut - 1/4 - 20 UNC.....	8
26	S66255	Hose Holder.....	2
27	W-475	Hex Bolt - 3/8 x 1 Lg.....	2
28	D-5279	Locknut - 3/8 Serrated.....	2
29	S65153	Decal - Danger: Crushing Hazard.....	2

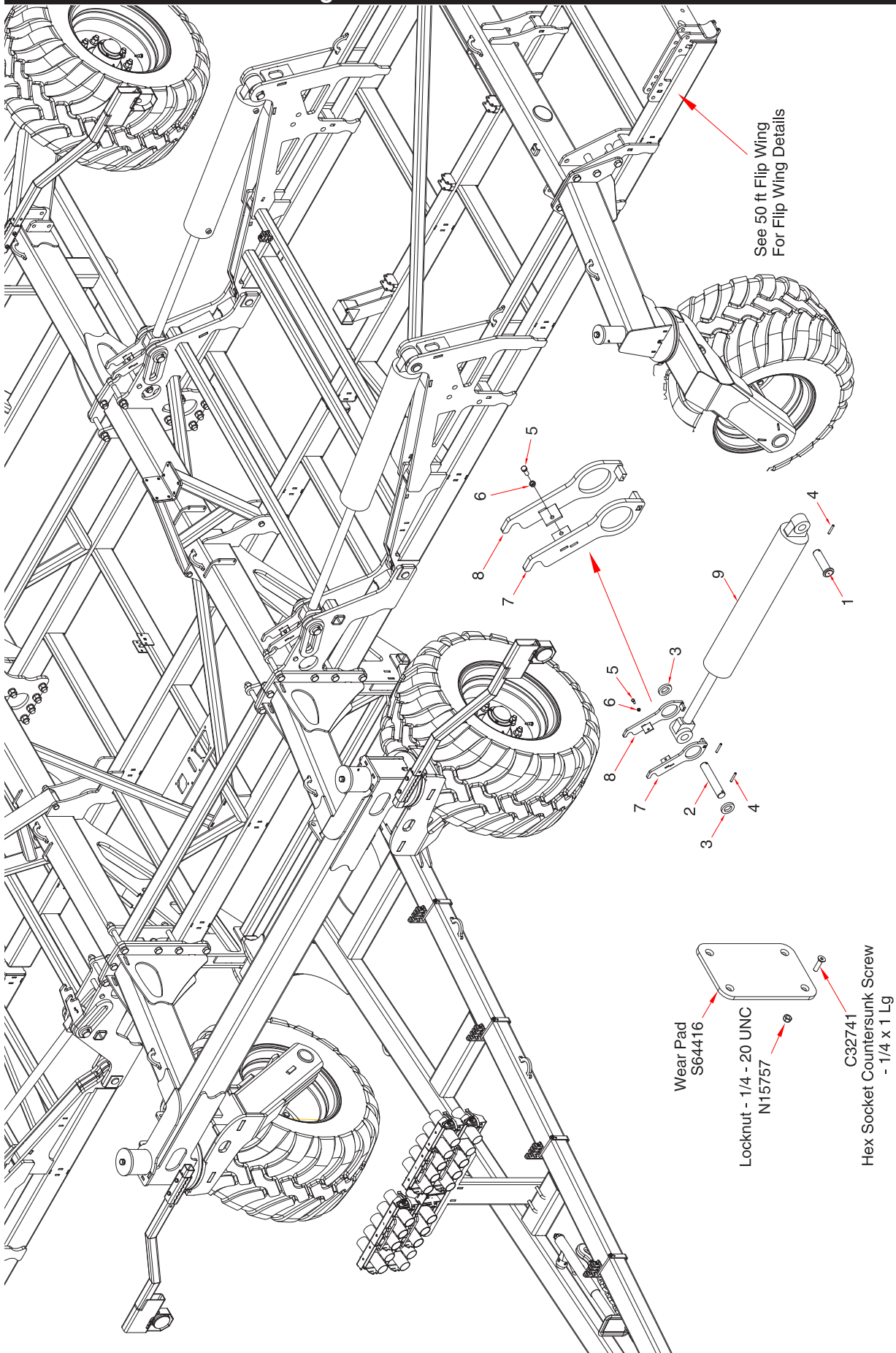
Frame - Wing 70 ft - 21m - Outer Wing



Frame - Wing - 70 ft - 21m - Outer Wing

Item	Part No.	Description	Qty
		Quantities given per Wing	
1	J12344	Hex Bolt - 1 x 3 Lg.....	4
2	D12903	Hex Bolt - 1 x 7 Lg.....	12
3	C-705	Lockwasher - 1.....	16
4	W-520	Hex Nut - 1.....	16
5	C-695	Hex Bolt - 3/4 x 2 Lg.....	1
6	W-527	Lockwasher - 3/4.....	1
7	S64303	Cap - Castor Wing - 4 1/4 Dia.....	1
8	S-951	Bolt - 1/2 x 4 1/2 Lg.....	2
9	F-3405	Lock Nut - 1/2 Unitorque.....	2
10	S64305	Pin - 1 3/4 x 5 1/2 Lg.....	2
11	S26462	Washer - 1 1/4 ID x 2 1/2 OD x 3/8 Thick.....	2
12	S39780	Lock Nut - 1 1/4 Unitorque.....	2
13	S64970	Axle and Spindle Assembly.....	2
14	K65091	Tire and Rim Assembly - Right (Shown) . . . use on left side of machine.....	2
	K65090	Tire and Rim Assembly - Left (Not Shown) . . . use on right side of machine	
14A	S64960	Tire and Rim Assembly - By-Directional	2
15	S64270	Wing Outer - Left.....	1
	S64260	Wing Outer - Right (Not Shown).....	1
16	S64335	Front Depth Beam (Includes items 20 and 22).....	1
17	S66474	Rear Depth Beam - Left.....	1
	S66476	Rear Depth Beam - Right (Not Shown).....	1
18	S66295	Castor - Wing - Left.....	1
	S66297	Castor - Wing - Right (Not Shown).....	1
19	S64210	Wear Disc - 3 1/16 ID x 12 OD x 1/4 Thick.....	1
20	S64944	Bushing - 3.00 ID x 3.188 OD x 2 Lg.....	2
21	S64325	Bushing - Spring - 1.75 x 2.00 x 1.75 Lg Nominal Size.....	2
22	S-752	Grease Nipple.....	2
	C25809	Decal - Grease 50 Hours (Not Shown).....	1

Wing Lift - 40 ft and 50 ft - 12m and 15m



Wing Lift - 40 ft and 50 ft - 12m and 15m

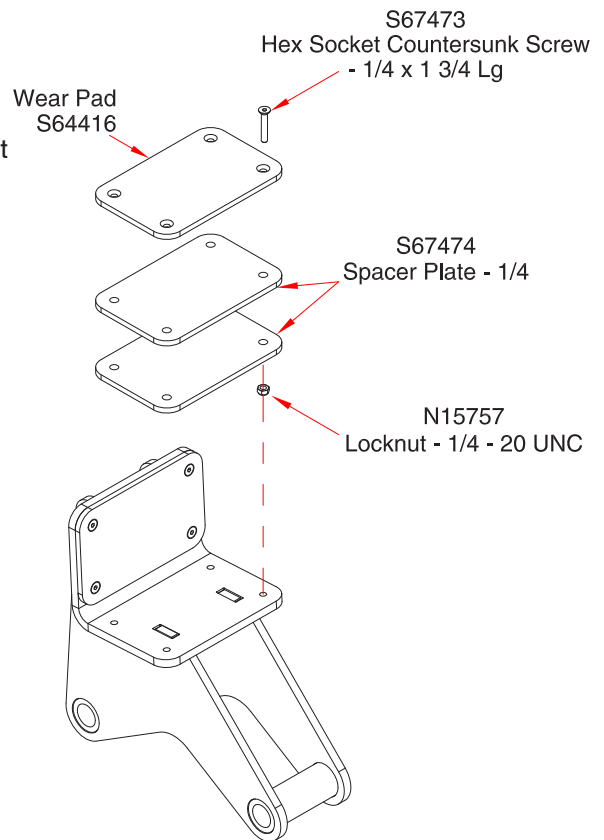
Item	Part No.	Description	Qty
Quantities given per Wing			
1	S64912	Pin - 1 3/4 x 5 5/8 UL	2
2	S64316	Pin - 1 3/4 x 8 5/8 Hole Centers	2
3	S64327	Washer - 1.781 ID x 3 OD x 1/2 Thick	4
4	T-5245	Spiral Pin - 3/8 x 2 1/2 Lg.....	6
5	W-475	Hex Bolt - 3/8 x 1 Lg.....	2
6	M-3388	Locknut - 3/8 Unitorque.....	2
7	S64905	Wing Cylinder Lock - Left.....	2
8	S64910	Wing Cylinder Lock - Right.....	2
9	C64920	Cylinder - 6 x 36.....	2

Wing Rest Spacer Plate Kit

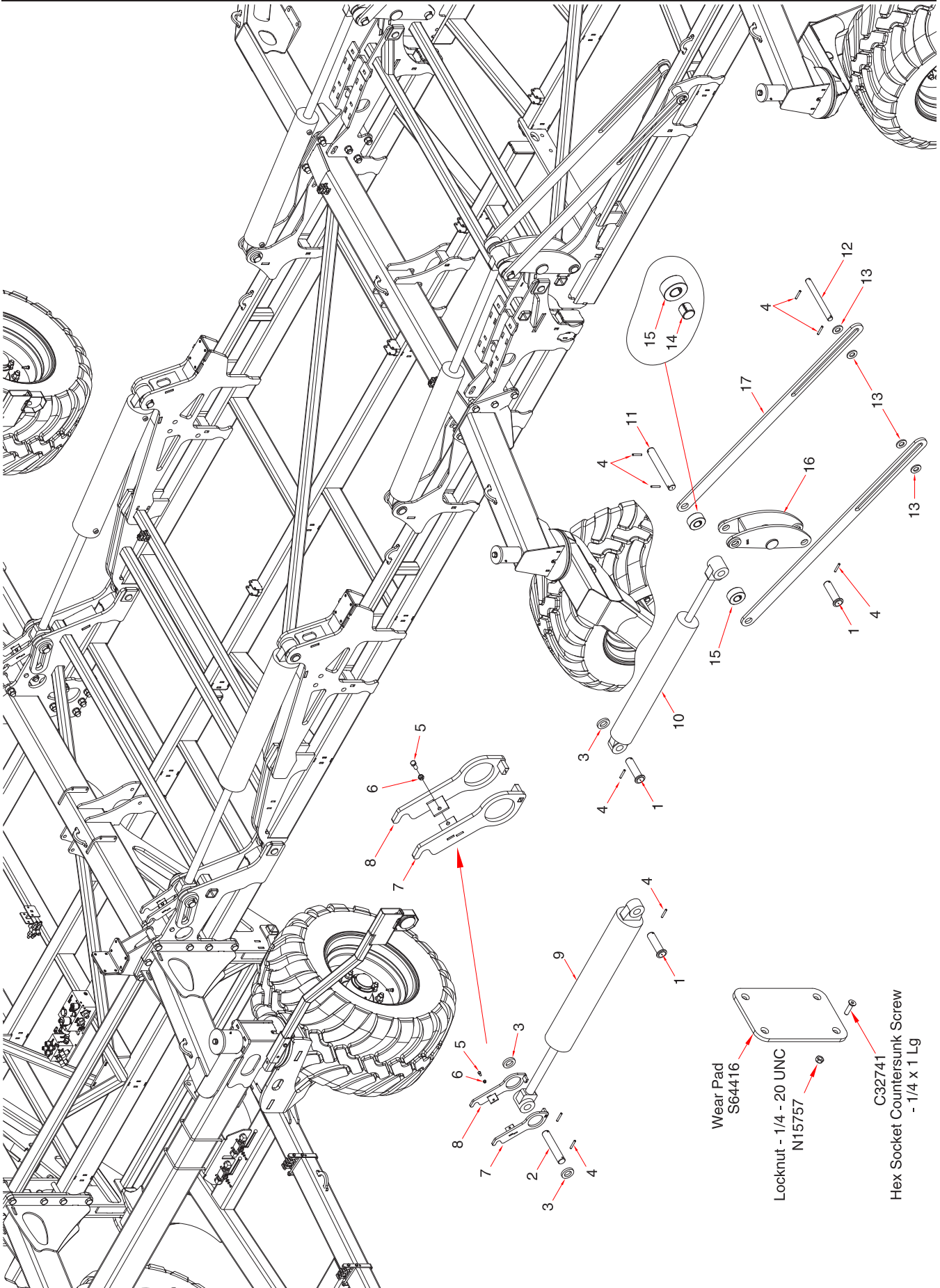
Two S67475 Spacer Plate Kits are provided to adjust wear pad height to ensure outer wings rests on pad.

Kit S67475 includes:

- 4 of N15757 Locknut - 1/4 - 20 UNC
- 4 of S67473 Countersunk Screw - 1/4 x 1 3/4 Lg
- 2 of S67474 Spacer Plate - 1/4



Wing Lift - 60 ft and 70 ft - 18m and 21m



Wing Lift - 60 ft and 70 ft - 18m and 21m

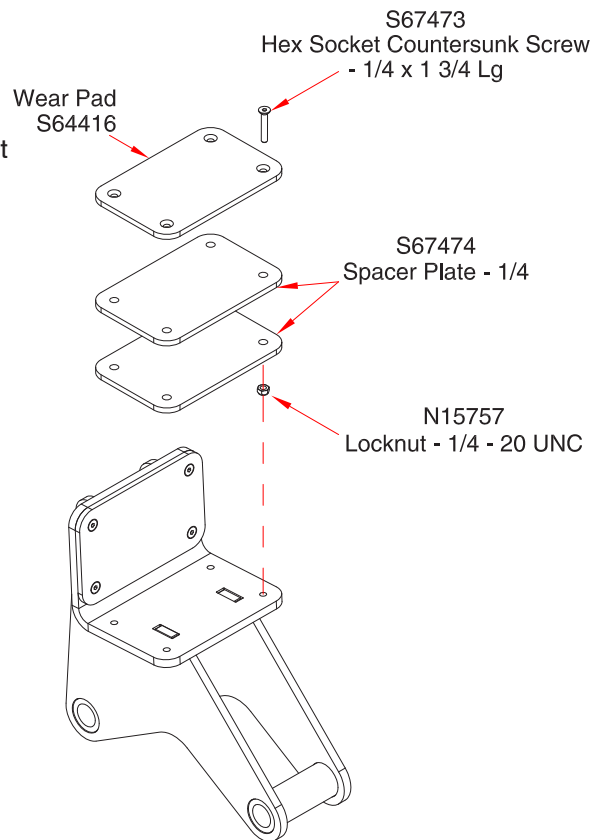
Item	Part No.	Description	Qty
Quantities given per Wing			
1	S64912	Pin - 1 3/4 x 5 5/8 UL	4
2	S64316	Pin - 1 3/4 x 8 5/8 Hole Centers	2
3	S64327	Washer - 1.781 ID x 3 OD x 1/2 Thick	6
4	T-5245	Spiral Pin - 3/8 x 2 1/2 Lg.....	24
5	W-475	Hex Bolt - 3/8 x 1 Lg.....	2
6	M-3388	Locknut - 3/8 Unitorque.....	2
7	S64905	Wing Cylinder Lock - Left.....	2
8	S64910	Wing Cylinder Lock - Right.....	2
9	C64920	Cylinder - 6 x 36.....	2
10	C64930	Cylinder - 5 x 36.....	2
11	S64918	Pin - 1 3/4 x 11 5/8 Hole Centers	2
12	S64314	Pin - 1 1/4 x 12 1/4 Hole Centers	2
13	N13962	Washer - 1 9/32 ID x 2 1/2 OD x 1/4 Thick.....	8
14	S64325	Bushing - Spring - 1.75 x 2.00 x 1.75 Lg Nominal Size.....	8
15	S64909	Roller - 1.746 ID x 4 OD x 1 3/4 Wide (Includes Item 14)	4
16	S64914	Link - Outer Wing	2
17	S64959	Strap - Lift - 55 Lg - 60 ft	4
	S64911	Strap - Lift - 65 Lg - 70 ft	4
	S67475	Kit - Wing Rest Spacer Plate (Includes 2 of S67474, and 4 of S67473 and N15757)	

Wing Rest Spacer Plate Kit

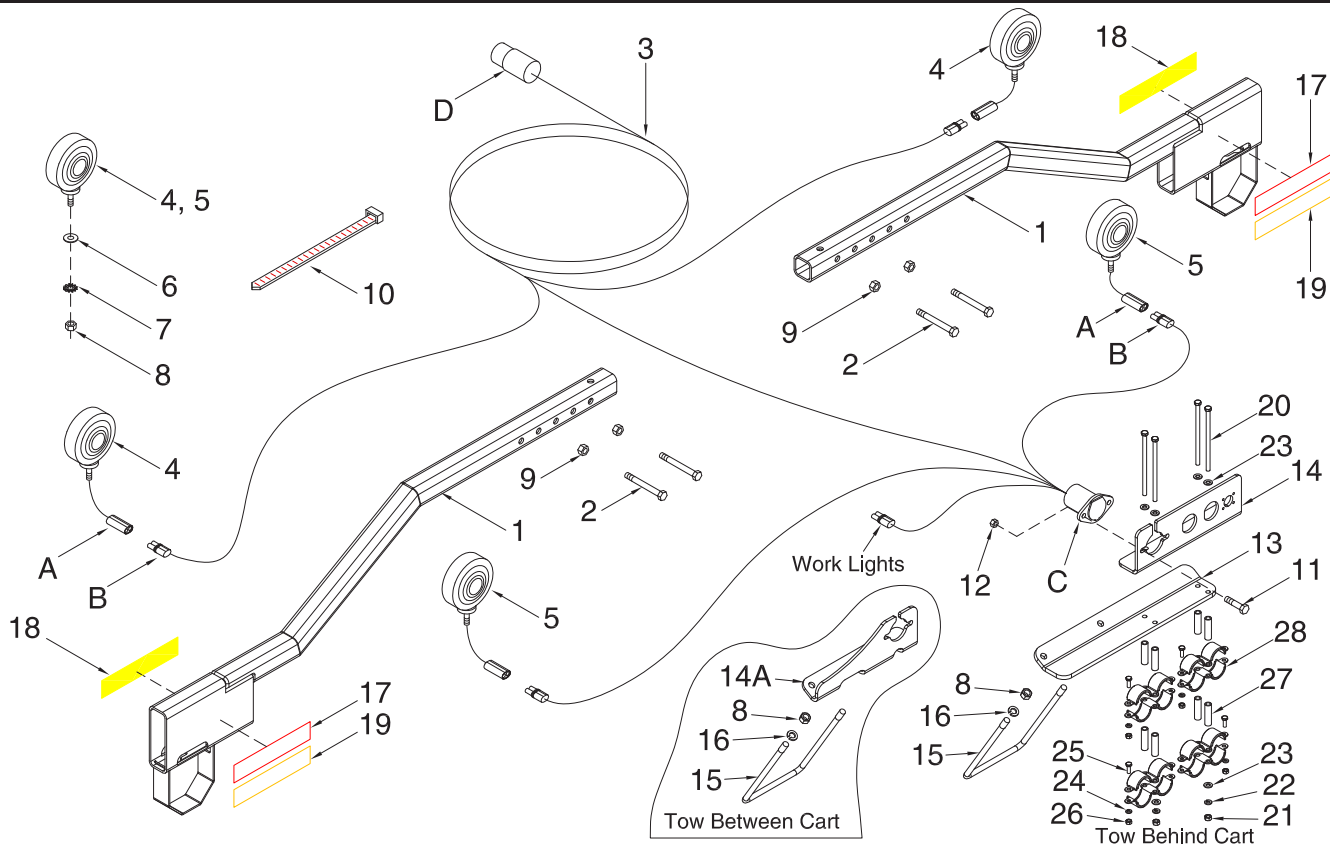
Two S67475 Spacer Plate Kits are provided to adjust wear pad height to ensure outer wings rests on pad.

Kit S67475 includes:

- 4 of N15757 Locknut - 1/4 - 20 UNC
- 4 of S67473 Countersunk Screw - 1/4 x 1 3/4 Lg
- 2 of S67474 Spacer Plate - 1/4



Lighting and Marking



Item	Part No.	Description	Qty
1	S64900	Tube - Mounting - Main - Lighting.....	4
2	D-5519	Hex Bolt - 1/2 x 3 1/4.....	8
3	S65799	Wiring Harness - Safety Lights	1
4	N50365	Light LED - Amber.....	2
5	N50366	Light LED - Red	2
6	W-539	Flatwasher - 1/2	4
7	D-5280	Starwasher - 1/2.....	4
8	W-516	Hex Nut - 1/2.....	4
9	F-3405	Locknut - 1/2 Unitorque.....	8
10	D-4951	Nylon Tie Strap - 7 3/8 lg.....	20
	S13336	Nylon Tie Strap - 28 1/4 lg.....	10
11	N29048	Hex Head Bolt - 5/16 x 1 lg	2
12	D-5278	Serrated Nut - 5/16.....	2
13	S65673	Bracket - Mounting - Tow Behind.....	2
14	N64747	Bracket - Electrical Connector - Tow Behind.....	1
14A	N67500	Bracket - Electrical Connector - Tow Between.....	1
15	H25628	U-Bolt - 1/2 x 6 1/16 x 9 3/8 UL.....	7
16	W-525	Lockwasher - 1/2.....	2
17	N34476	Reflector - Red	2
18	N34477	Reflector - Amber	2
19	N34478	Reflector - Orange.....	2
20	S13337	Hex Bolt - 5/16 x 6 Lg - Tow Behind.....	4
21	W-513	Hex Nut - 5/16 - Tow Behind.....	4
22	W-522	Lockwasher - 5/16 - Tow Behind.....	4
23	D-5488	Washer - 11/32 ID x 11/16 OD x 16 GA - Tow Behind.....	8
24	W-521	Lockwasher - 1/4 - Tow Behind.....	8
25	W-469	Hex Bolt - 1/4 X 3/4 Lg - Tow Behind.....	8
26	W-512	Hex Nut - 1/4 - Tow Behind.....	8
27	N19458	Spacer - 0.364 ID x 0.540 OD x 2 Lg - Tow Behind.....	8
28	N16608	Pioneer End Clamp - Tow Behind.....	8

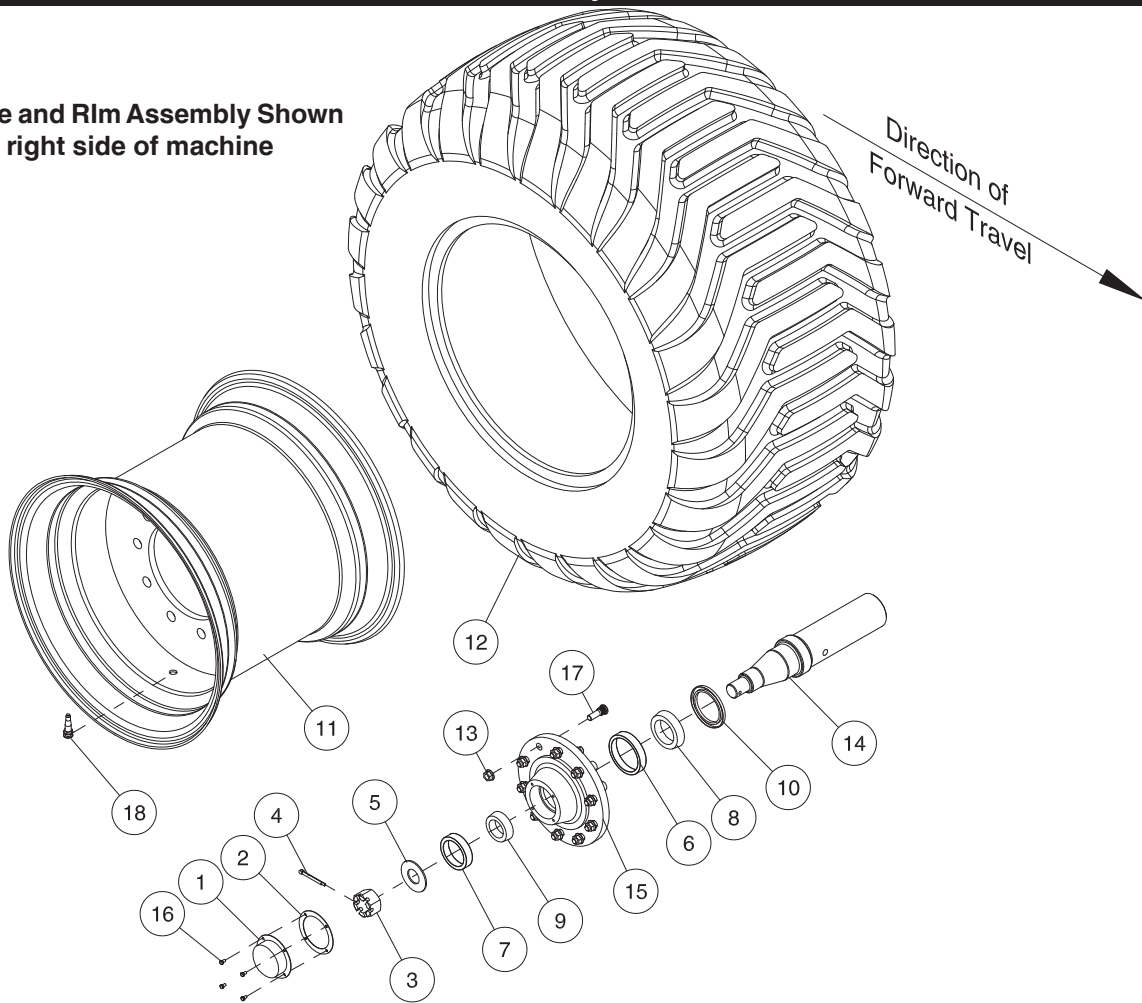
Section 2: Wheels

Section Contents

Tire and Axle Assembly - Version 1.....	2-2
Tire and Axle Assembly - Version 2.....	2-3

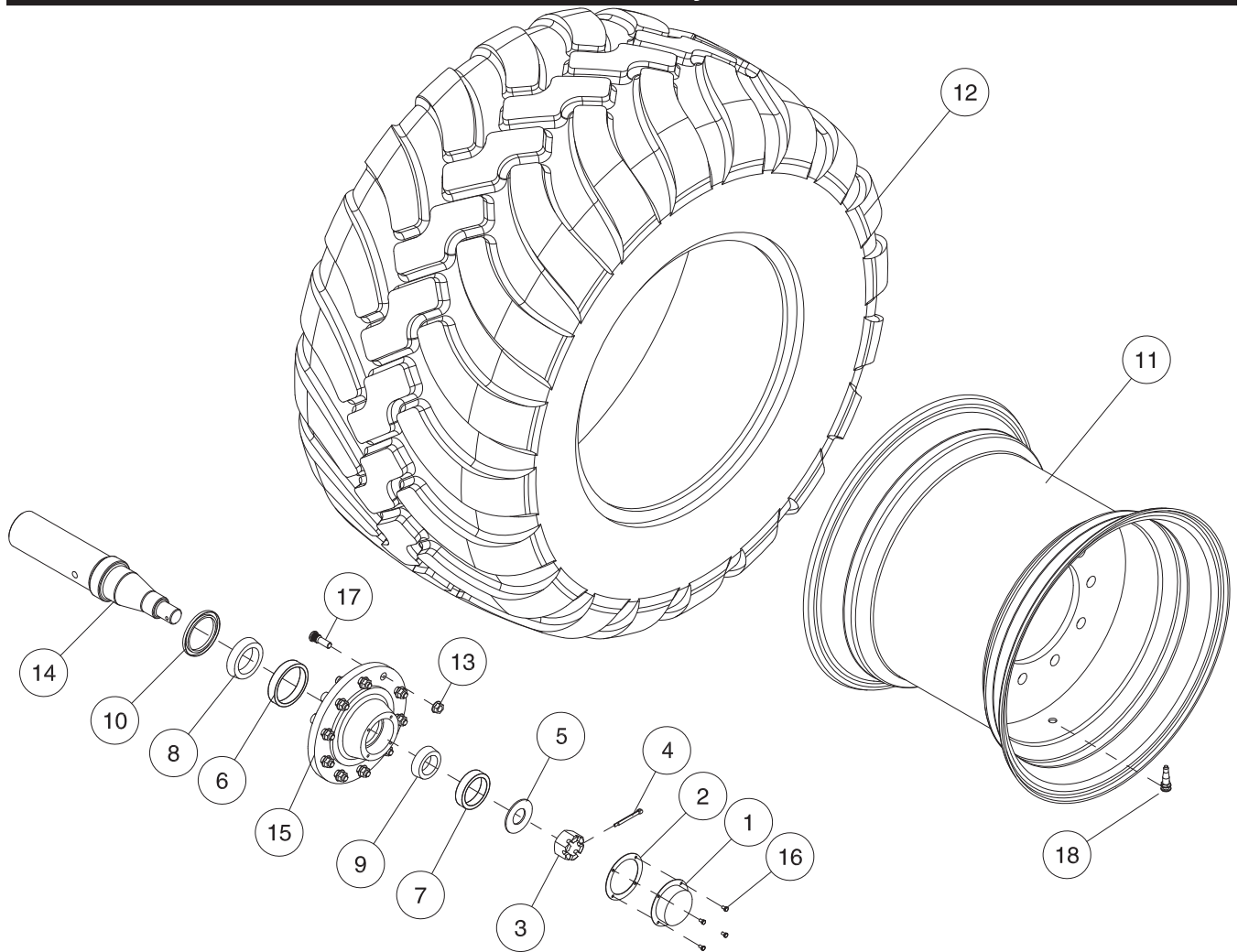
Tire and Axle Assembly - Version 1

**Note: Left Tire and Rim Assembly Shown
use on right side of machine**



Item	Part No.	Description	Qty
1	S65333	Dust Cap - DC-27Z	1
2	N13959	Gasket.....	1
3	N19484	Hex Slotted Nut - 1 1/4 - 12 UNF	1
4	W-4181	Cotter Pin - 1/4 x 2 Lg	1
5	N13962	Flatwasher - 1.281 ID x 2 1/2 OD x 1/4 Thick.....	1
6	S65334	Bearing Cup - Inner - TRB13523.....	1
7	S65336	Bearing Cup - Outer - TRB10053	1
8	S65337	Bearing Cone - Inner - TRB16687.....	1
9	S65339	Bearing Cone - Outer - TRB03812.....	1
10	S65332	Dust Seal - SE-67	1
11	S64947	Rim - 20 x 22.5 - 10 Bolt	1
12	K56777	Tire - 600/50 - 22.5 - Bias Ply (TVS EUROGRIP)	1
13	N55218	Flange Wheel Nut - M22 x 1.5 - Grade 10.9	10
14	S64998	Spindle - 3 Dia	1
15	S64999	Hub - 10 Bolt - 15,000 lb (Includes Items 6, 7 and 17)	1
	S-752	Grease Nipple (Not Shown)	1
16	D-5247	Hex Bolt - 5/16 x 1/2 Lg.....	4
17	S65335	Press-In Wheel Stud - M22 x 1.5 x 92mm - Grade 10.9	10
18	N13968	Valve Stem - TR618A	1
	S64970	Hub and Spindle Assembly	
	K65090	Tire and Rim Assembly - Left (Shown above) . . . use on right side of machine	
	K65091	Tire and Rim Assembly - Right (Not Shown) . . . use on left side of machine	

Tire and Axle Assembly - Version 2



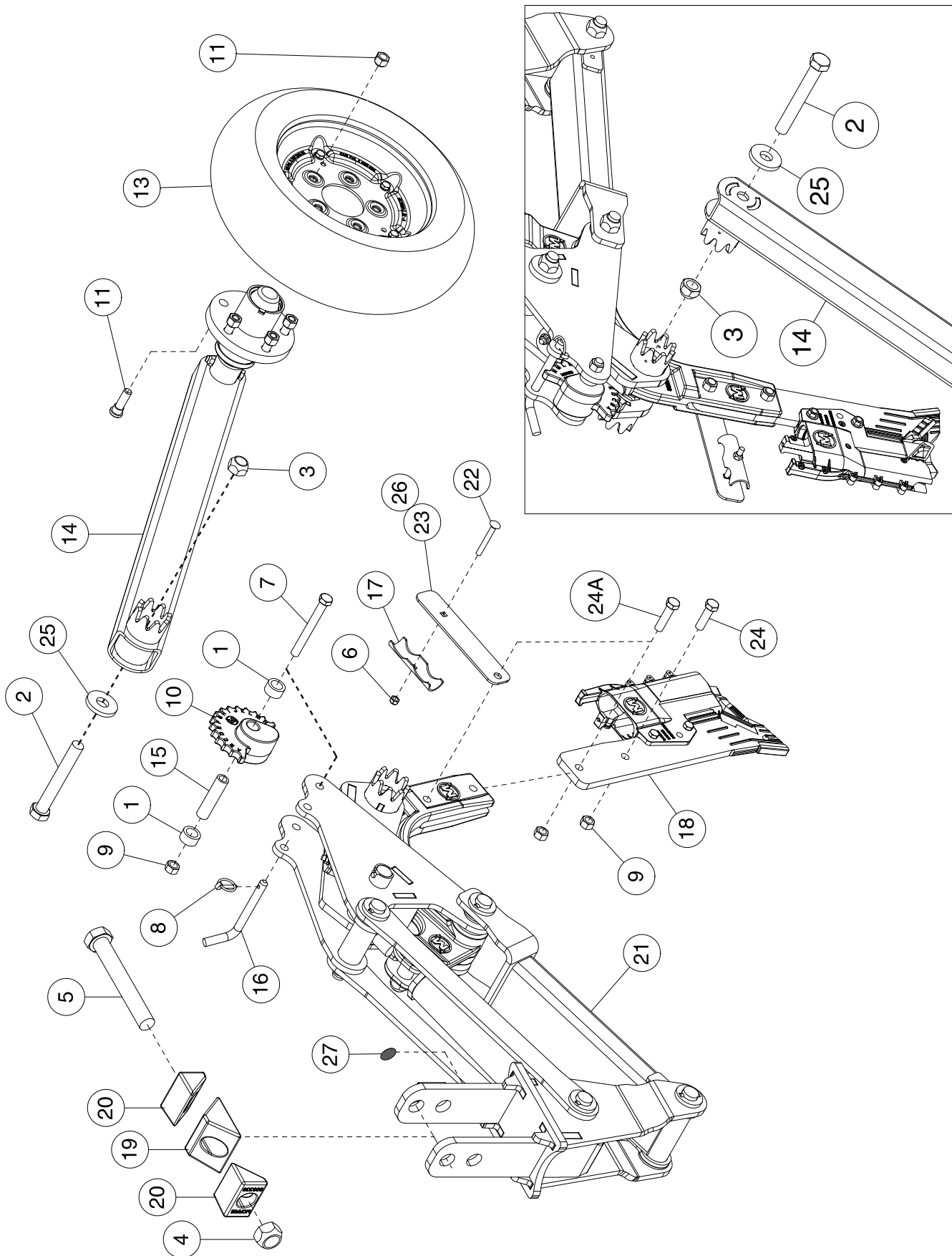
Item	Part No.	Description	Qty
1	S65333	Dust Cap - DC-27Z	1
2	N13959	Gasket.....	1
3	N19484	Hex Slotted Nut - 1 1/4 - 12 UNF	1
4	W-4181	Cotter Pin - 1/4 x 2 Lg	1
5	N13962	Flatwasher - 1.281 ID x 2 1/2 OD x 1/4 Thick.....	1
6	S65334	Bearing Cup - Inner - TRB13523.....	1
7	S65336	Bearing Cup - Outer - TRB10053	1
8	S65337	Bearing Cone - Inner - TRB16687.....	1
9	S65339	Bearing Cone - Outer - TRB03812	1
10	S65332	Dust Seal - SE-67	1
11	S64947	Rim - 20 x 22.5 - 10 Bolt	1
12	S64949	Tire - 600/50R - 22.5 - By-Directional (ALLIANCE 380 TIRE)	1
13	N55218	Flange Wheel Nut - M22 x 1.5 - Grade 10.9	10
14	S64998	Spindle - 3 Dia	1
15	S64999	Hub - 10 Bolt - 15,000 lb (Includes Items 6, 7 and 17)	1
	S-752	Grease Nipple (Not Shown)	1
16	D-5247	Hex Bolt - 5/16 x 1/2 Lg.....	4
17	S65335	Press-In Wheel Stud - M22 x 1.5 x 92mm - Grade 10.9	10
18	N13968	Valve Stem - TR618A	1
	S64970	Hub and Spindle Assembly	
	S64960	Tire and Rim Assembly - By-Directional	

Section 3: Opener

Section Contents

Opener Assembly	3-2
Body Assembly.....	3-4
Packer Arm Assembly	3-6
Pack Control Arm Assembly	3-7
Packer Wheel Assemblies	3-8
Injected Polymer Pair Row Kit	3-9
Injected Polymer Left Sideband Kit	3-10
Injected Polymer Right Side Band Kit	3-11
Single Shoot.....	3-12
Single Shoot 3" Spreader	3-13
Double Shoot - Paired Row	3-14
Double Shoot - High Pressure NH3 Kit	3-15
Double Shoot - Side Band - Left	3-16
Double Shoot - Side Band Boot - Right	3-17

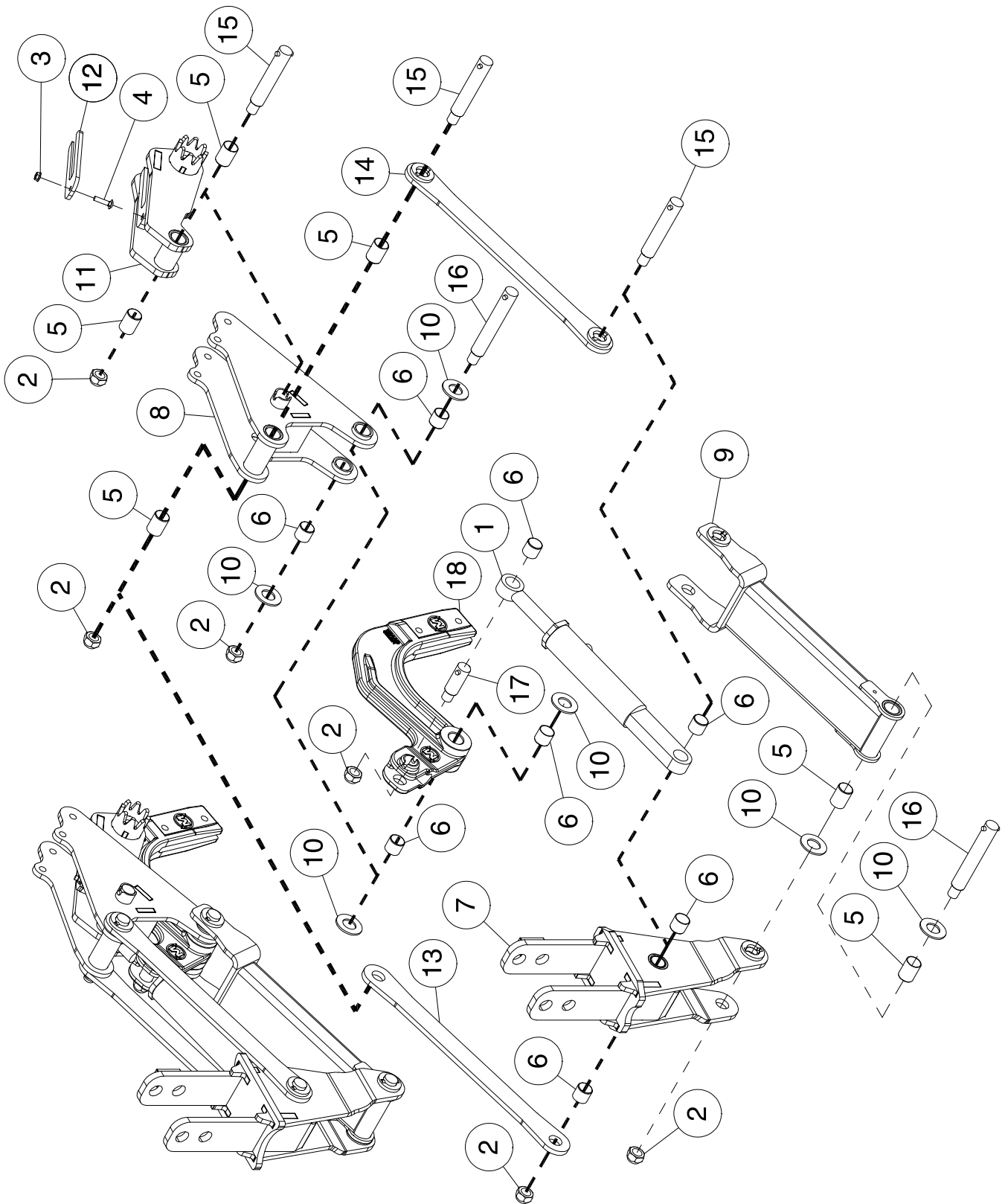
Opener Opener Assembly



Opener - Opener Assembly

Item	Part No.	Description	Qty
1	S65000	Cam Brace Bushing - 0.765 ID x 1-1/8 OD x 0.58 Lg.....	2
2	D-5558	Hex Bolt - 3/4 x 6 Lg.....	1
3	D-5273	Lock Nut - 3/4 Unitorque	7
4	D-5274	Lock Nut - 1 Unitorque	1
5	D12903	Hex Bolt - 1 x 7 Lg.....	1
6	D-5272	Lock Nut - 5/16 Unitorque	1
7	S66403	Hex Bolt - 1/2 x 4 1/2 Lg - GR.8.....	1
8	S42294	Lynch Pin - 3/16 Dia x 1-3/8 Lg	1
9	S47110	Hex Nut - 1/2 Center Lock.....	3
10	S49260	Depth Cam - Cast	1
11	S50246	Tapered Wheel Nut - 1/2-20UNF	5
12	S50247	Press-In Wheel Stud - 1/2 - 20UNF.....	5
13	S64194	Otico Tire - 4 1/2.....	1
	S64195	Otico Tire - 5 1/2.....	
14	S64673	Packer Arm.....	1
15	S64698	Bushing - 0.510 ID x 0.750 OD x 3.094 Lg	1
16	S65061	Depth Pin - 1/2 Dia.....	1
17	S65070	Hose Holder	1
18	S65121	Right Sideband Boot Kit - SHIELD CORE	1
	S65122	Left Sideband Boot Kit - SHIELD CORE	
	S65123	Paired Row Boot Kit - SHIELD CORE	
	*****	Single Shoot Boot Kit - SHIELD CORE	
19	S66337	Cast Center Wedge - 3 wide	1
20	S66338	Cast Outer Wedge - 2 3/4 wide	2
21	S65650	Row Unit - Right (Includes items 1,2,3,7,8,9,10,11,12,14,15,16 and 25)	1
	S65651	Row Unit - Left (Includes items 1,2,3,7,8,9,10,11,12,14,15,16 and 25)	
22	S51466	Carriage Bolt - 5/16 x 2 Lg	1
23	S65851	Hose Holder Bracket.....	1
24	W-487	Hex Bolt - 1/2 x 1 3/4 Lg.....	2
24A	S51464	Hex Bolt - 1/2 x 2 Lg - GR 8 (Hose Holder Replacement Bolt)	1
25	S65821	Washer - 2 1/4 OD x 25/32 ID	1
26	S65852	Hose Holder Kit - Contains Items 6, 9, 17, 22, 23 & 24A.....	1
27	S66171	Openers Number Decal - 1 per machine (1) (4) (7) (10) (13) (16) (19) (22) (25) (28) (31) (34) (37) (40) (43) (46) (49) (52) (55) (58) (61) (64) (67) (70) (73) (76) (79) (82) (85) (88) (2) (5) (8) (11) (14) (17) (20) (23) (26) (29) (32) (35) (38) (41) (44) (47) (50) (53) (56) (59) (62) (65) (68) (71) (74) (77) (80) (83) (86) (89) (3) (6) (9) (12) (15) (18) (21) (24) (27) (30) (33) (36) (39) (42) (45) (48) (51) (54) (57) (60) (63) (66) (69) (72) (75) (78) (81) (84) (87) (90)	

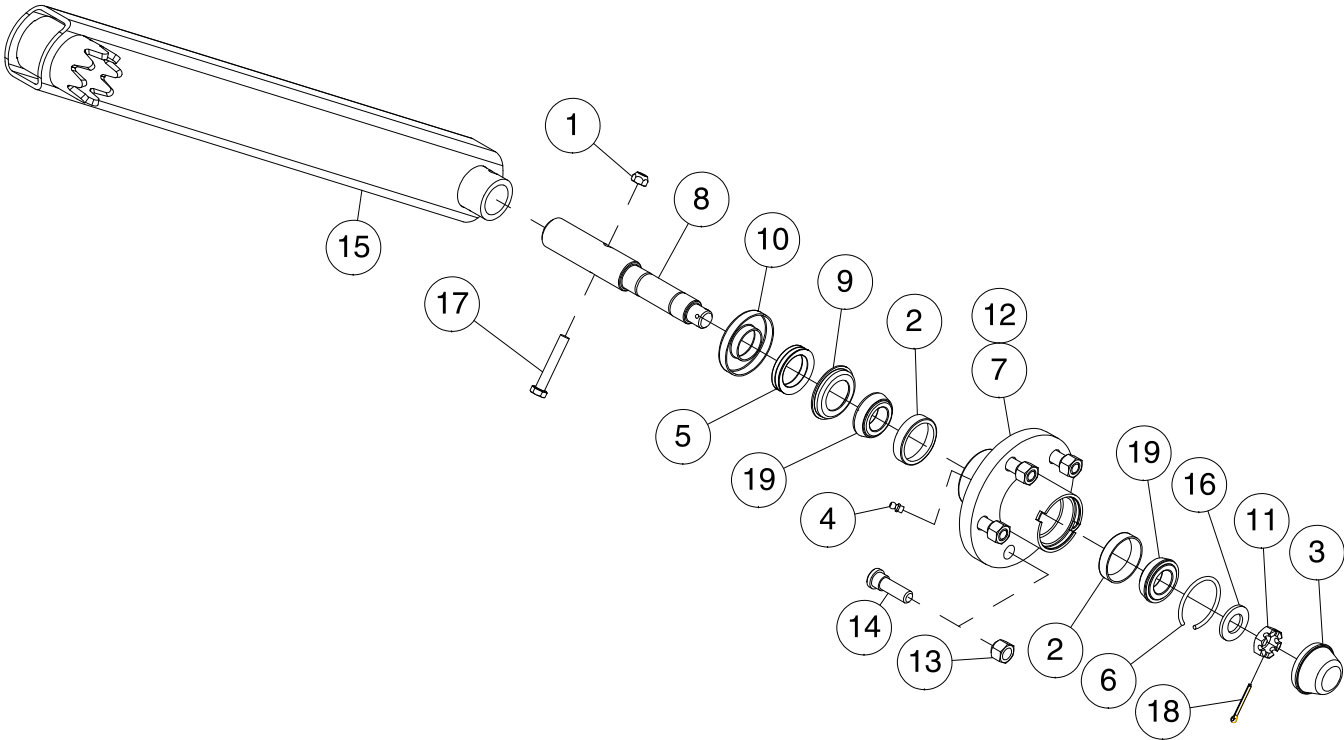
Opener Body Assembly



Opener - Body Assembly

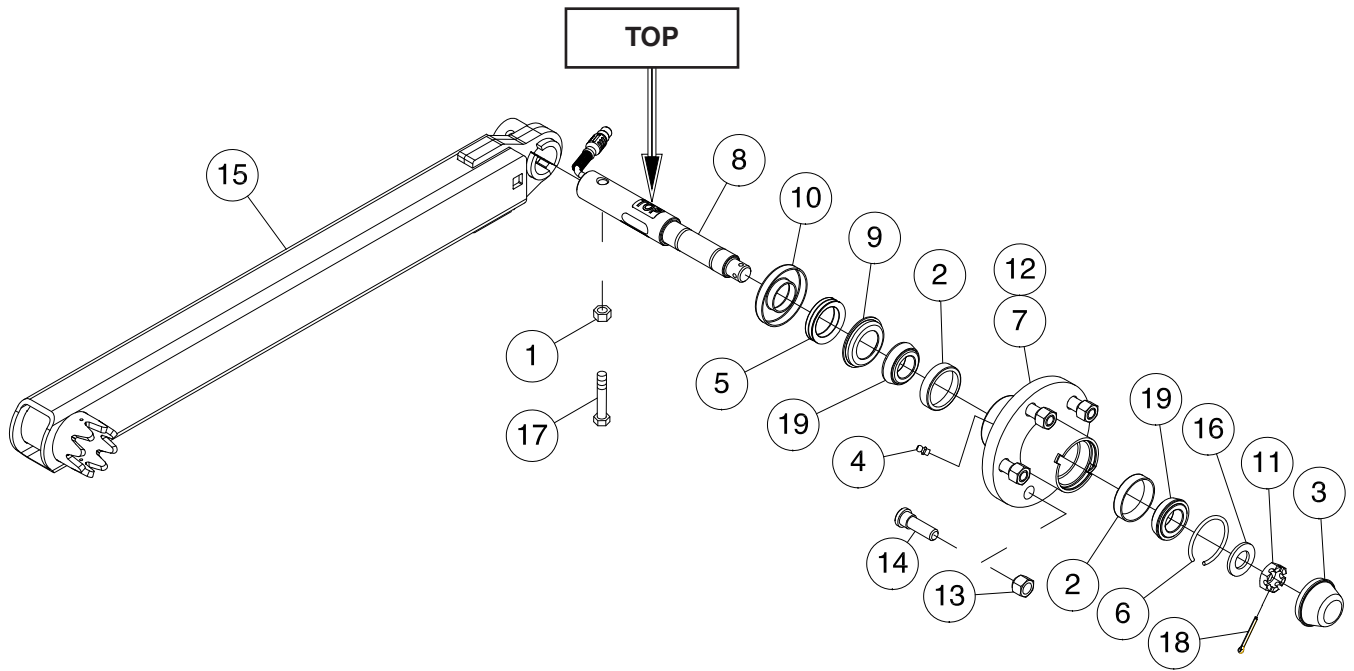
Item	Part No.	Description	Qty
1	C64546	Cylinder - 1 3/4 Bore x 4 Stroke	1
2	D-5273	Lock Nut - 3/4 Unitorque	6
3	D-5278	Lock Nut - 5/16 Flanged.....	1
4	N31012	Carriage Bolt - 5/16 x 1 1/4 Lg	1
5	S62986	Q2 Bushing - 1 ID x 1 1/8 OD x 1 1/2 Lg Nominal size.....	6
6	S62987	Q2 Bushing - 1 ID x 1 1/8 OD x 1 Lg Nominal size.....	8
7	S62998	Mounting Bracket - (Includes Item 5 Qty of 2).....	1
8	S64119	Opener Body - (Includes Item 5 Qty of 2 and Item 6 Qty 2).....	1
9	S64172	Bottom Link	1
10	S64580	Washer - 1 1/32 ID x 2 OD x 1/8	6
11	S64672	Packer Arm.....	1
12	S66251	Shim - Depth Adjustment - 1/4 Thick.....	1
13	S64759	Strap - Top Link.....	1
14	S65009	Top Link.....	1
15	S65037	Pin - 1 Dia x 4 21/32 UL (Includes W21776 Roll Pin).....	3
16	S65038	Pin - 1 Dia x 5 9/16 UL (Includes W21776 Roll Pin).....	2
17	S65039	Pin - 1 Dia x 1 29/32 UL (Includes W21776 Roll Pin).....	1
18	S65048	Cast Shankholder - (Includes Item 6 Qty of 2).....	1

Opener Packer Arm Assembly



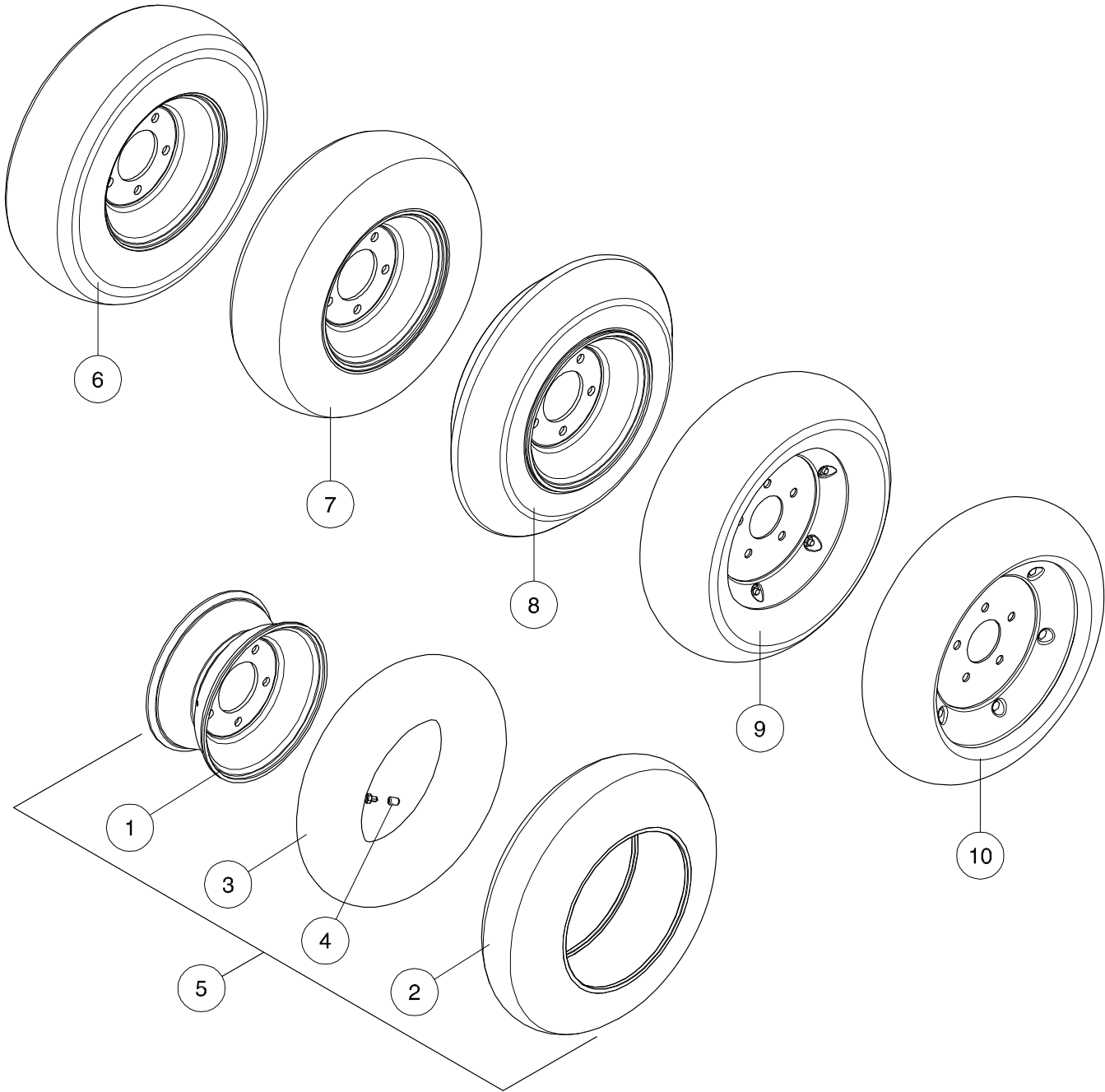
Item	Part No.	Description	Qty
1	M-3388	Lock Nut - 3/8 Unitorque	1
2	N14009	Bearing Cup	2
3	N14011	Dust Cap	1
4	S-752	Grease Zerk - 1/4	1
5	S48842	V-Seal - 1 1/4 Shaft	1
6	S48843	Dust Cap Retaining Wire	1
7	S48844	Hub Casting - 1000 Lb - 5 Bolt	1
8	S48846	Spindle - 1-1/4 Dia	1
9	S48847	Seal Counterface	1
10	S48848	Seal Retainer	1
11	S48849	Slotted Jam Nut - 3/4	1
12	S48850	Packer Hub Assembly (Includes Items# 2, 3, 4, 5, 6, 7, 8, 9, 10, 11, 13, 14, 16, 18 & 19) ..	1
13	S50246	Tapered Wheel Nut - 1/2	5
14	S50247	Press-In Wheel Stud - 1/2	5
15	S64673	Packer Arm	1
16	W-476	Washer - 3/4	1
17	W-479	Hex Bolt - 3/8 x 2 1/4 Lg	1
18	W-529	Cotter Pin - 1/8 x 1 Lg	1
19	W-4187	Bearing Cone	2

Opener Pack Control Arm Assembly



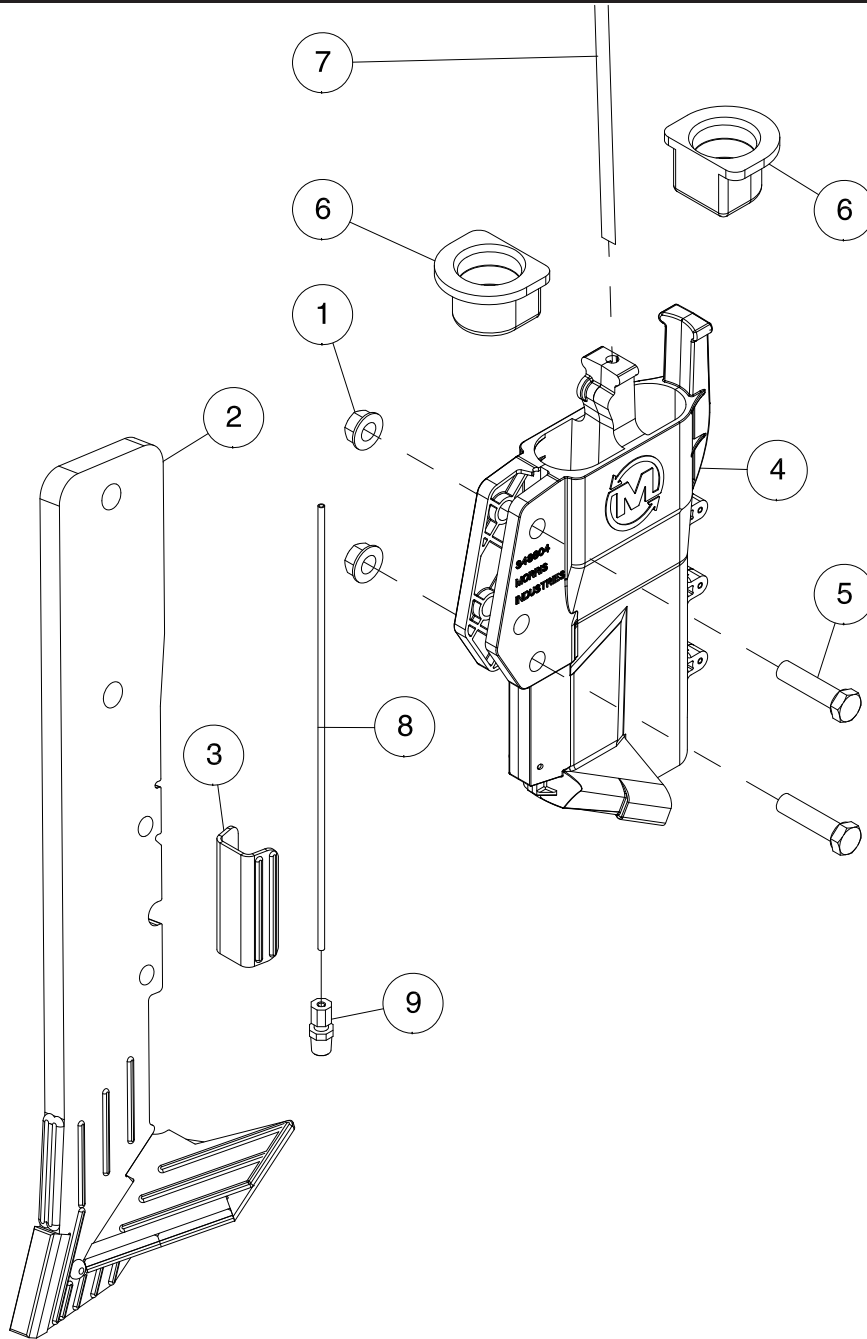
Item	Part No.	Description	Qty
1	M-3388	Lock Nut - 3/8 Unitorque	1
2	N14009	Bearing Cup	2
3	N14011	Dust Cap	1
4	S-752	Grease Zerk - 1/4	1
5	S48842	V-Seal - 1 1/4 Shaft	1
6	S48843	Dust Cap Retaining Wire	1
7	S48844	Hub Casting - 1000 Lb - 5 Bolt	1
8	S66278	Spindle - Digi-Star	1
9	S48847	Seal Counterface	1
10	S48848	Seal Retainer	1
11	S48849	Slotted Jam Nut - 3/4	1
12	S67715	Axle Assembly - Digi-Star (Includes Items# 2, 3, 4, 5, 6, 7, 8, 9, 10, 11, 13, 14, 16, 18 & 19)....	1
13	S50246	Tapered Wheel Nut - 1/2.....	5
14	S50247	Press-In Wheel Stud - 1/2	5
15	S66267	Packer Arm - Digi-Star	1
16	W-476	Washer - 3/4.....	1
17	W-479	Hex Bolt - 3/8 x 2 1/4 Lg.....	1
18	W-529	Cotter Pin - 1/8 x 1 Lg	1
19	W-4187	Bearing Cone	2
	S67716	Pack Control Arm complete with DIGI-STAR. (Includes ALL above Items)	

Opener Packer Wheel Assemblies



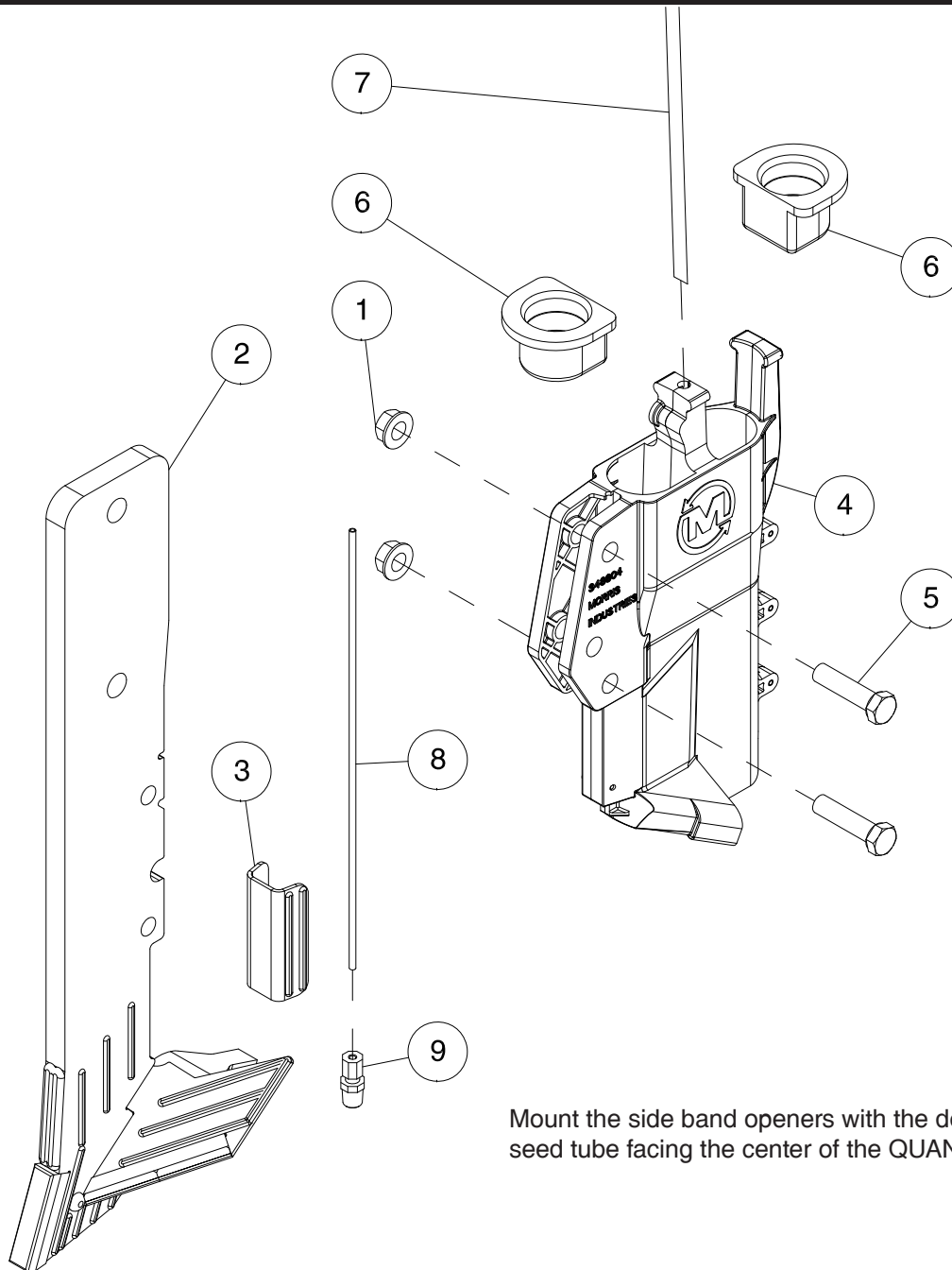
Item	Part No.	Description	Qty
1	S44301	Rim - 8 x 3.75 - 5 Bolt - Valve Stem - Pneumatic Tire - May be dropped	1
2	S44404	Pneumatic Tire - 480 x 8 Smooth - May be dropped	1
3	S44406	Tire Tube with Valve Cap	1
4	S44407	Valve Cap Metal	1
5	S44405	Pneumatic Tire - 480 (Includes items 1, 2, 3 & 4) - May be dropped	1
6	S44300	Semi Pneumatic Tire - 480 x 8	1
7	S44900	Semi Pneumatic Tire - 550 x 8	1
8	S47093	"V" Crown Packer Tire - 400 x 8	1
9	S64195	5.5" Otico Tire	1
10	S64194	4.5" Otico Tire	1

Seed Boot Injected Polymer Pair Row Kit



Item	Part No.	Description	Qty
1	S27987	Lock Nut - 3/8 Flange W/Center Lock	2
2	S62365	Paired Row Shank - SHIELD CORE	1
3	S65074	Wear Guard - SHIELD CORE	1
4	S56485	IP (Injected Polymer) Paired Row Seed Boot.....	1
5	W-477	Hex Bolt - 3/8 x 1 1/2 Lg.....	2
6	S47076	Secondary Hose Grommet	2
7	*****	Liquid Tube - 1/4 OD - See Liquid Kit Supplier for Tube.....	1
8	*****	Injector Tube - 1/8 OD - See NH3 Kit Supplier for Tube	1
9	S48814	Compression Fitting - 1/8 x 1/8	1
	S65123	IP Paired Row Boot Kit - SHIELD CORE(Contains Items 1, 2, 3, 4 & 5).....	1

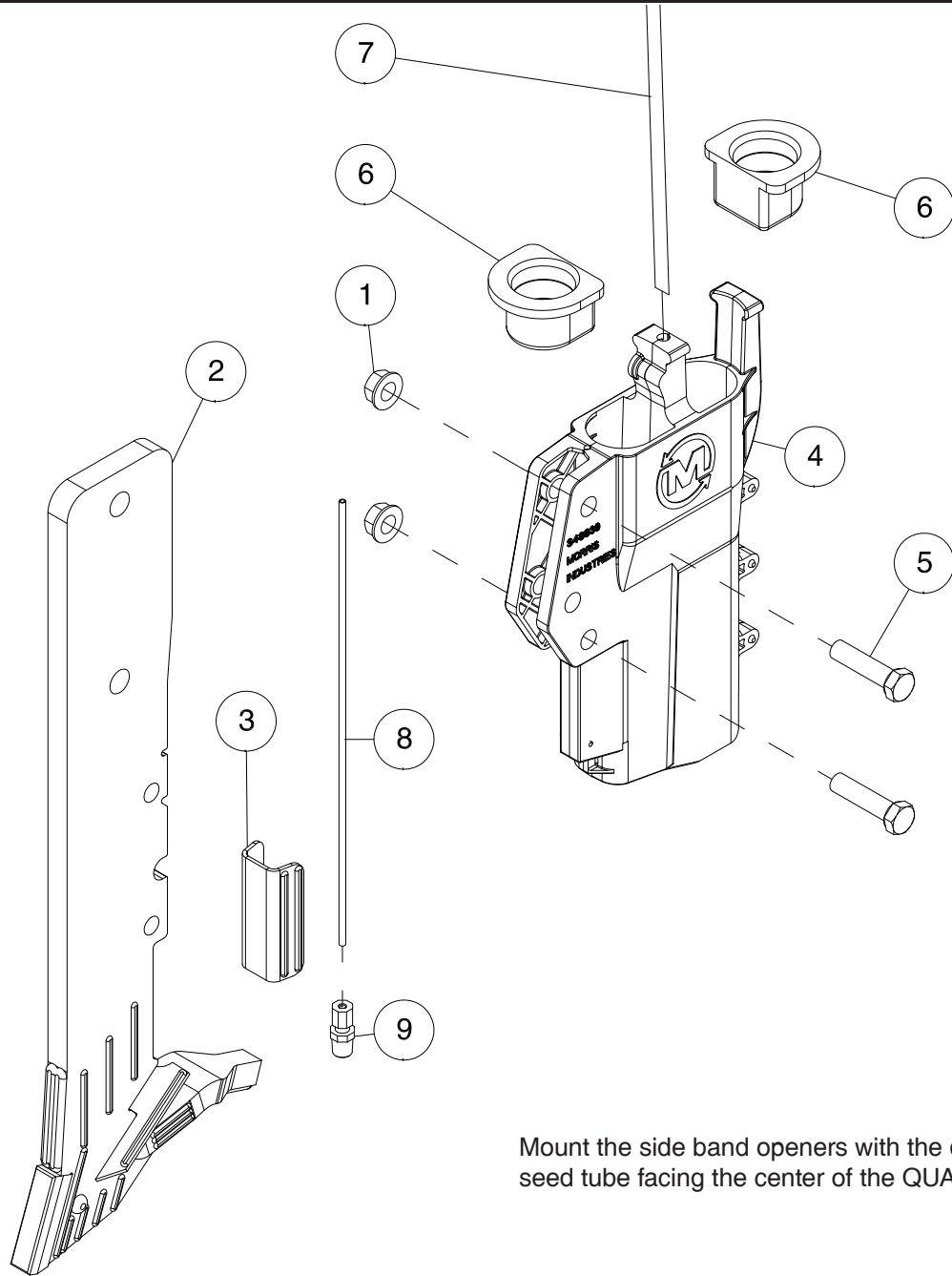
Seed Boot Injected Polymer Left Sideband Kit



Mount the side band openers with the deflector and seed tube facing the center of the QUANTUM Air Drill.

Item	Part No.	Description	Qty
1	S27987	Lock Nut - 3/8 Flange W/Center Lock	2
2	S65111	Sideband Shank - Left - SHIELD CORE	1
3	S65074	Wear Guard - SHIELD CORE	1
4	S56482	IP (Injected Polymer) Left Sideband Seed Boot	1
5	W-477	Hex Bolt - 3/8 x 1 1/2 Lg.....	2
6	S47076	Secondary Hose Grommet	2
7	*****	Liquid Tube - 1/4 OD - See Liquid Kit Supplier for Tube	1
8	*****	Injector Tube - 1/8 OD - See NH3 Kit Supplier for Tube	1
9	S48814	Compression Fitting - 1/8 x 1/8	1
	S65122	IP Left Sideband Boot Kit - SHIELD CORE(Contains Items 1, 2, 3, 4 & 5).....	1

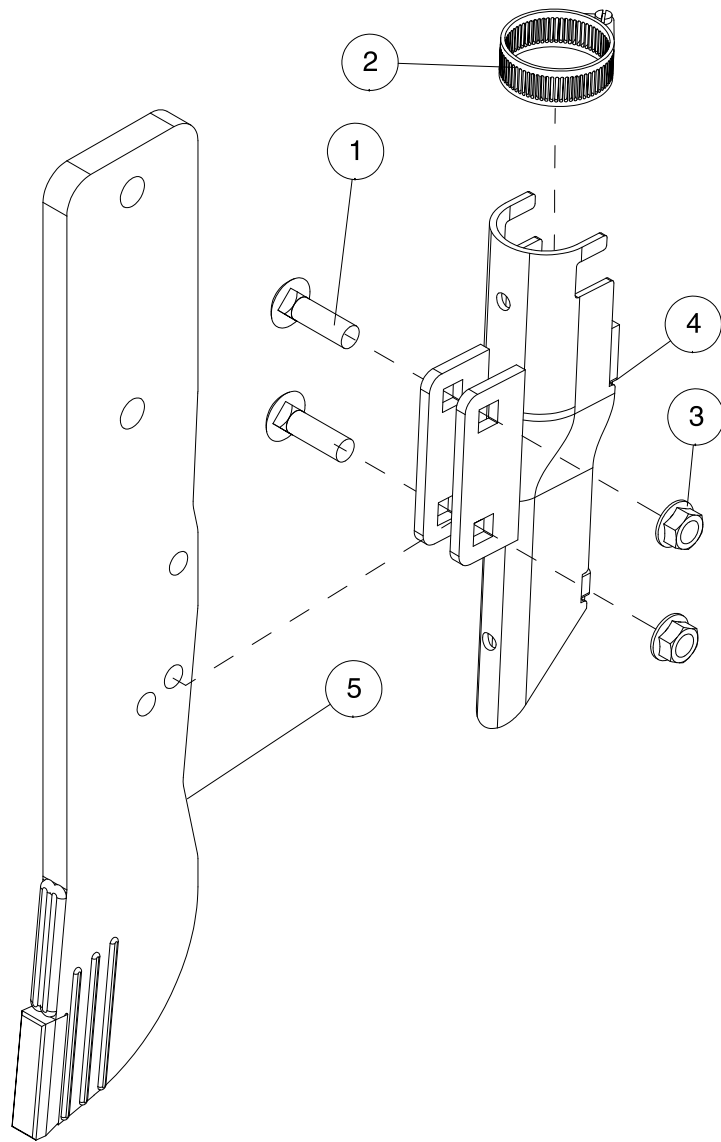
Seed Boot Injected Polymer Right Side Band Kit



Mount the side band openers with the deflector and seed tube facing the center of the QUANTUM Air Drill.

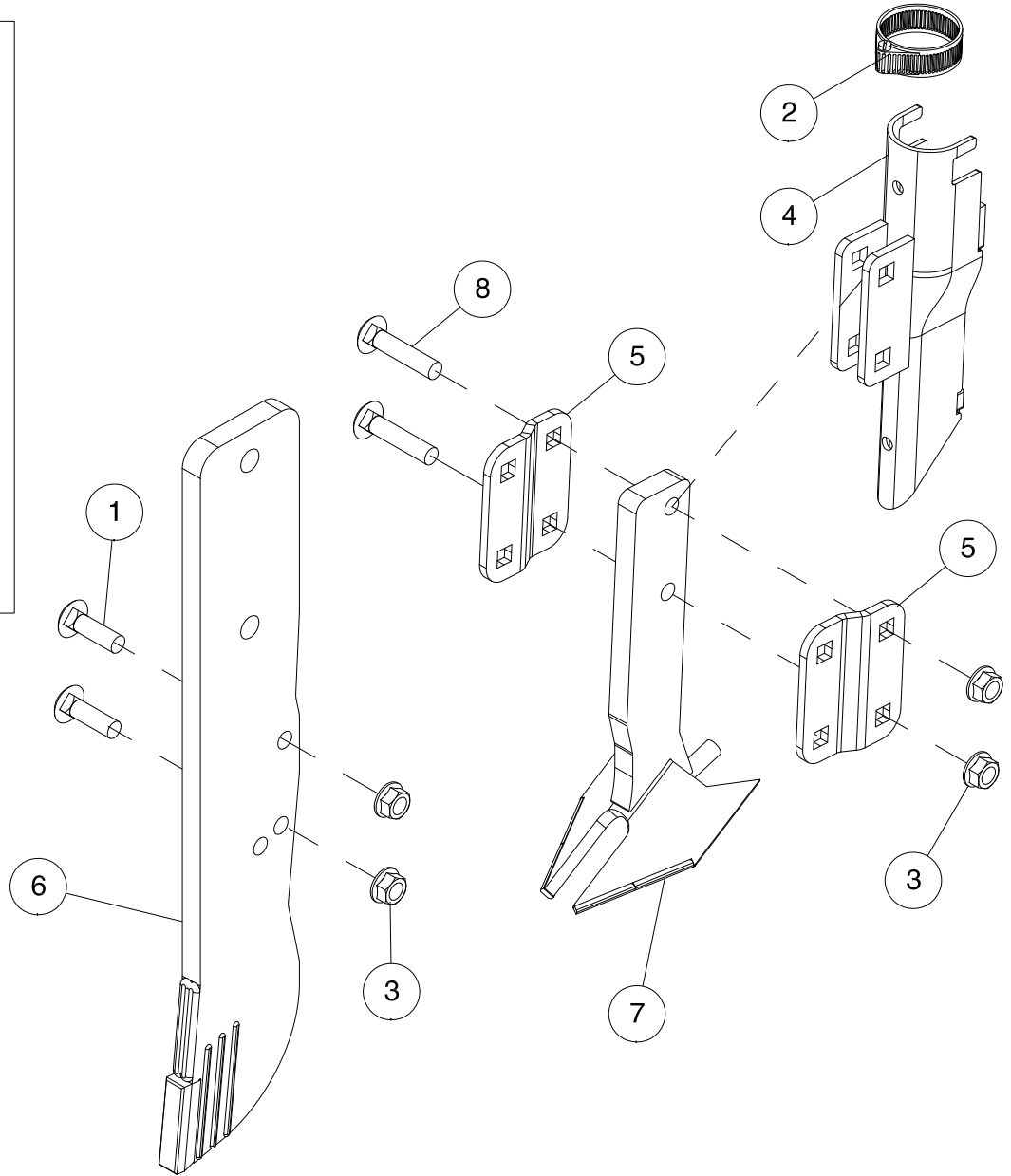
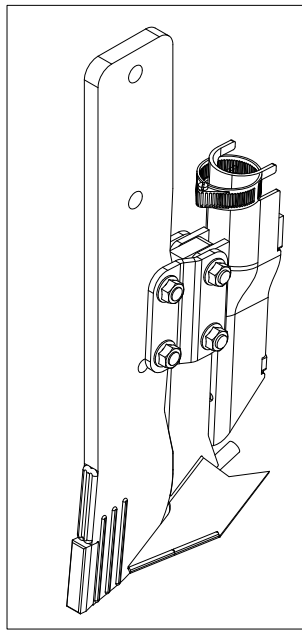
Item	Part No.	Description	Qty
1	S27987	Lock Nut - 3/8 Flange W/Center Lock	2
2	S65112	Sideband Shank - Right - SHIELD CORE	1
3	S65074	Wear Guard - SHIELD CORE	1
4	S56483	IP (Injected Polymer) Right Sideband Seed Boot	1
5	W-477	Hex Bolt - 3/8 x 1 1/2 Lg.....	2
6	S47076	Secondary Hose Grommet	2
7	*****	Liquid Tube - 1/4 OD - See Liquid Kit Supplier for Tube.....	1
8	*****	Injector Tube - 1/8 OD - See NH3 Kit Supplier for Tube	1
9	S48814	Compression Fitting - 1/8 x 1/8	1
	S65121	IP Right Sideband Boot Kit - SHIELD CORE(Contains Items 1, 2, 3, 4 & 5)	1

Seed Boot Single Shoot



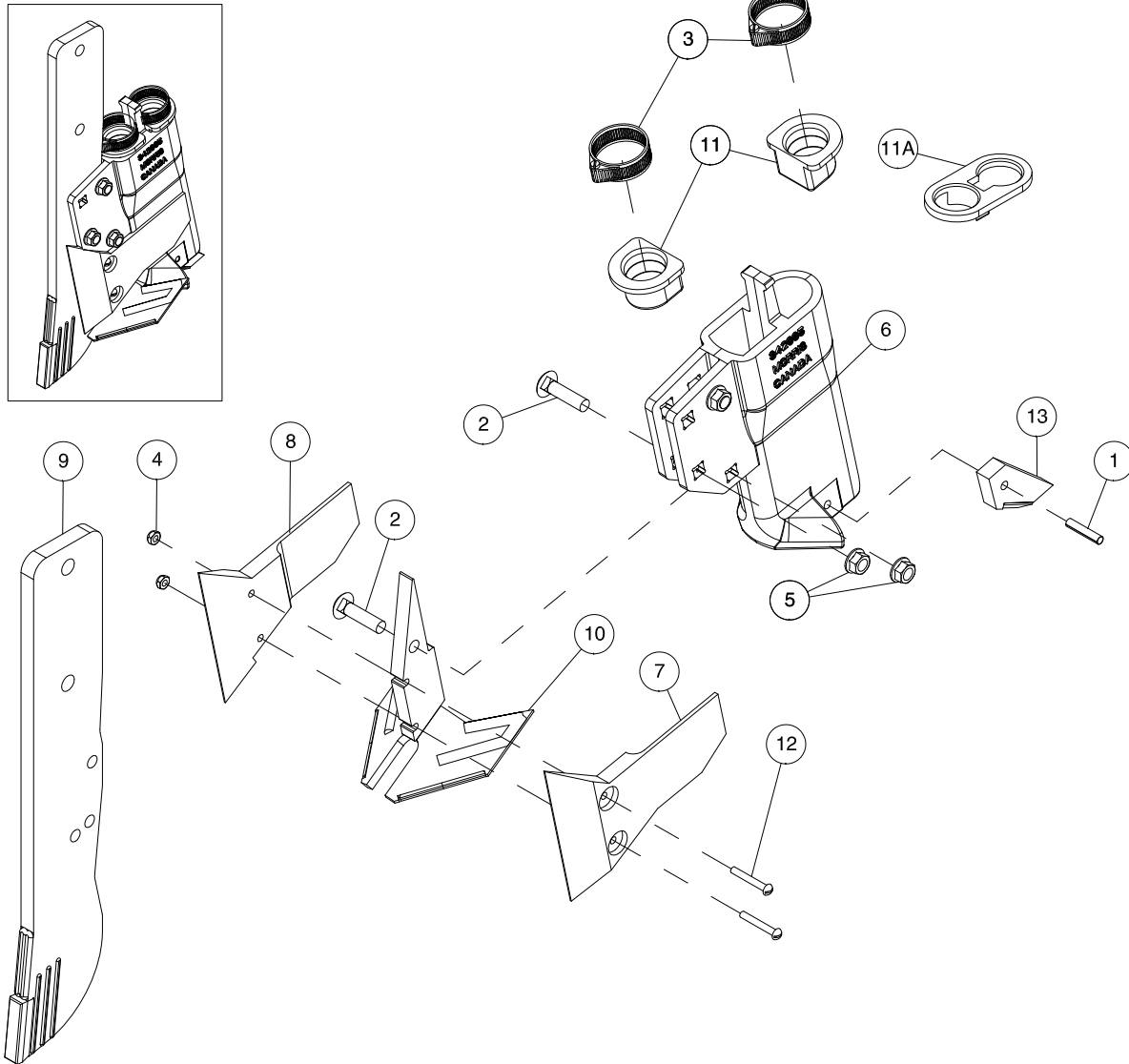
Item	Part No.	Description	Qty
1	D-5260	Carriage Bolt - 3/8 x 1-1/2 Lg	2
2	N11470	Hose Clamp	1
3	S27987	Center Lock Flange Lock Nut - 3/8	2
4	S42865	Single Shoot Boot	1
5	S65405	Wear Shank W/Carbide - SHIELD CORE	1

Seed Boot Single Shoot 3" Spreader



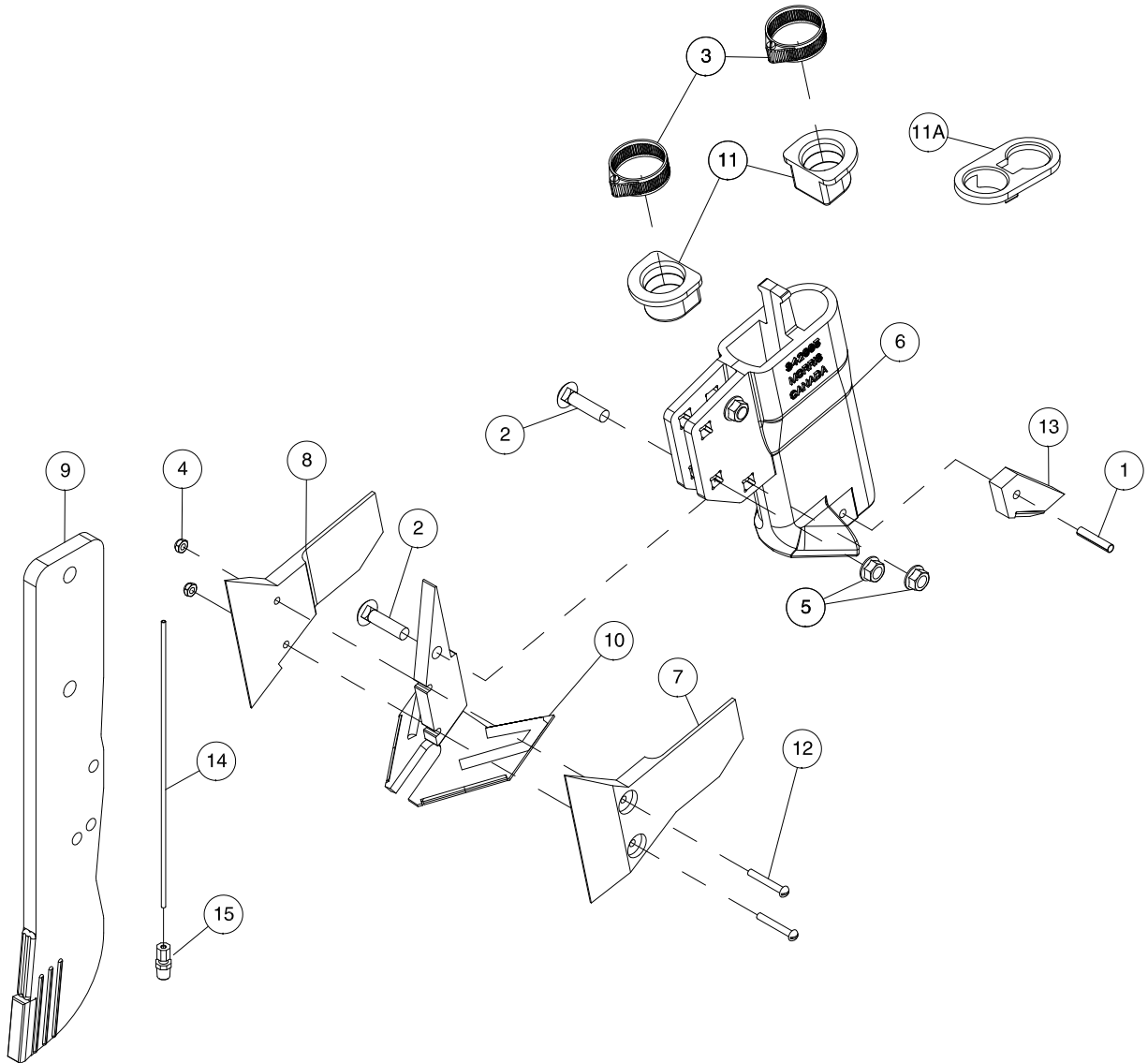
Item	Part No.	Description	Qty
1	D-5260	Carriage Bolt - 3/8 x 1-1/2 Lg	2
2	N11470	Hose Clamp	1
3	S27987	Center Lock Flange Lock Nut - 3/8	4
4	S42865	Single Shoot Boot	1
5	S45269	Mounting Plate	2
6	S65405	Wear Shank W/Carbide - SHIELD CORE	1
7	S47337	3" Wear Shovel	1
8	S31980	Carriage Bolt - 3/8 x 1-3/4 Lg	2

Seed Boot Double Shoot - Paired Row



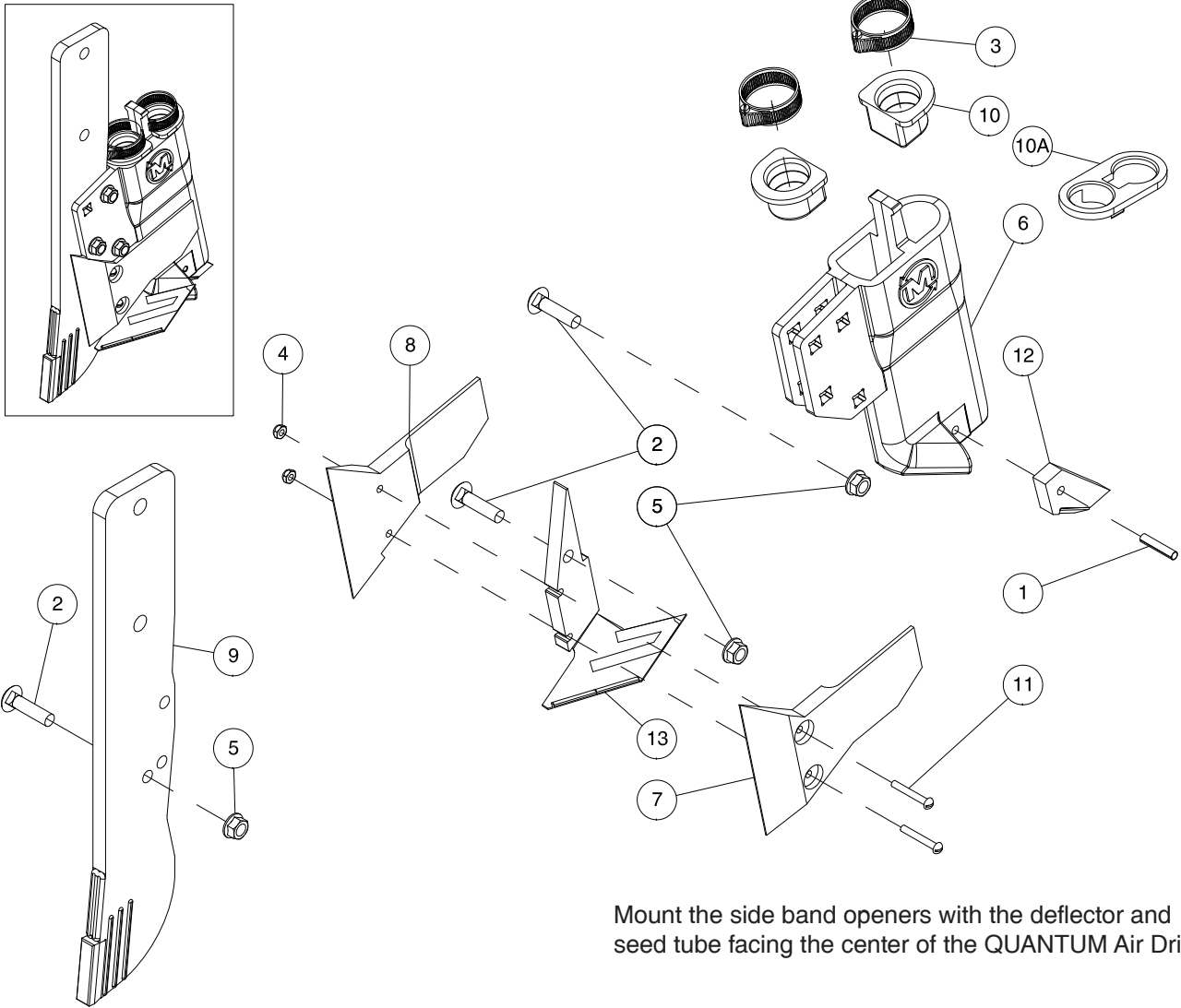
Item	Part No.	Description	Qty
1	D-5243	Roll Pin.....	1
2	D-5261	Carriage Bolt - 3/8 x 1-1/2 Lg	3
3	N11470	Hose Clamp	2
4	N37787	Nylon Insert Locknut - #10-24	2
5	S27987	Center Lock Flange Lock Nut - 3/8	3
6	S42965	Cast Double Shoot Boot	1
7	S45312	Mud Guard Option Left.....	1
8	S45313	Mud Guard Option Right	1
9	S65405	Shank - SHIELD CORE	1
10	S45470	Paired Row Shovel.....	1
11	S47076	Secondary Hose Grommet Option - 15/16 ID Hose.....	2
11A	S50245	Secondary Hose Grommet Option - 1.125 ID Hose	
12	S47128	Machine Screw - #10-24 x 1 3/8.....	2
13	S47980	Carbide Wear Tail.....	1
	S46181	Kit - Mud Guards (Includes Items 4, 7, 8, and 12)	

Seed Boot Double Shoot - High Pressure NH3 Kit



Item	Part No.	Description	Qty
1	D-5243	Roll Pin.....	1
2	D-5261	Carriage Bolt - 3/8 x 1-1/2 Lg	3
3	N11470	Hose Clamp	2
4	N37787	Nylon Insert Locknut - #10-24	2
5	S27987	Center Lock Flange Lock Nut - 3/8	3
6	S42965	Cast Double Shoot Boot	1
7	S45312	Mud Guard Option Left.....	1
8	S45313	Mud Guard Option Right.....	1
9	S65405	Shank - SHIELD CORE	1
10	S45470	Paired Row Shovel.....	1
11	S47076	Secondary Hose Grommet Option - 15/16 ID Hose.....	2
11A	S50245	Secondary Hose Grommet Option - 1.125 ID Hose	2
12	S47128	Machine Screw - #10-24 x 1 3/8.....	2
13	S47980	Carbide Wear Tail.....	1
14	S48813	NH3 Injector Tube - 1/8 OD x 10 Lg T304 Stainless Tube	1
15	S48814	Compression Fitting - 1/8 Tube x 1/8 Male Pipe	1
	S46384	Kit - High Pressure Anhydrous (Includes Items 15 and 16)	

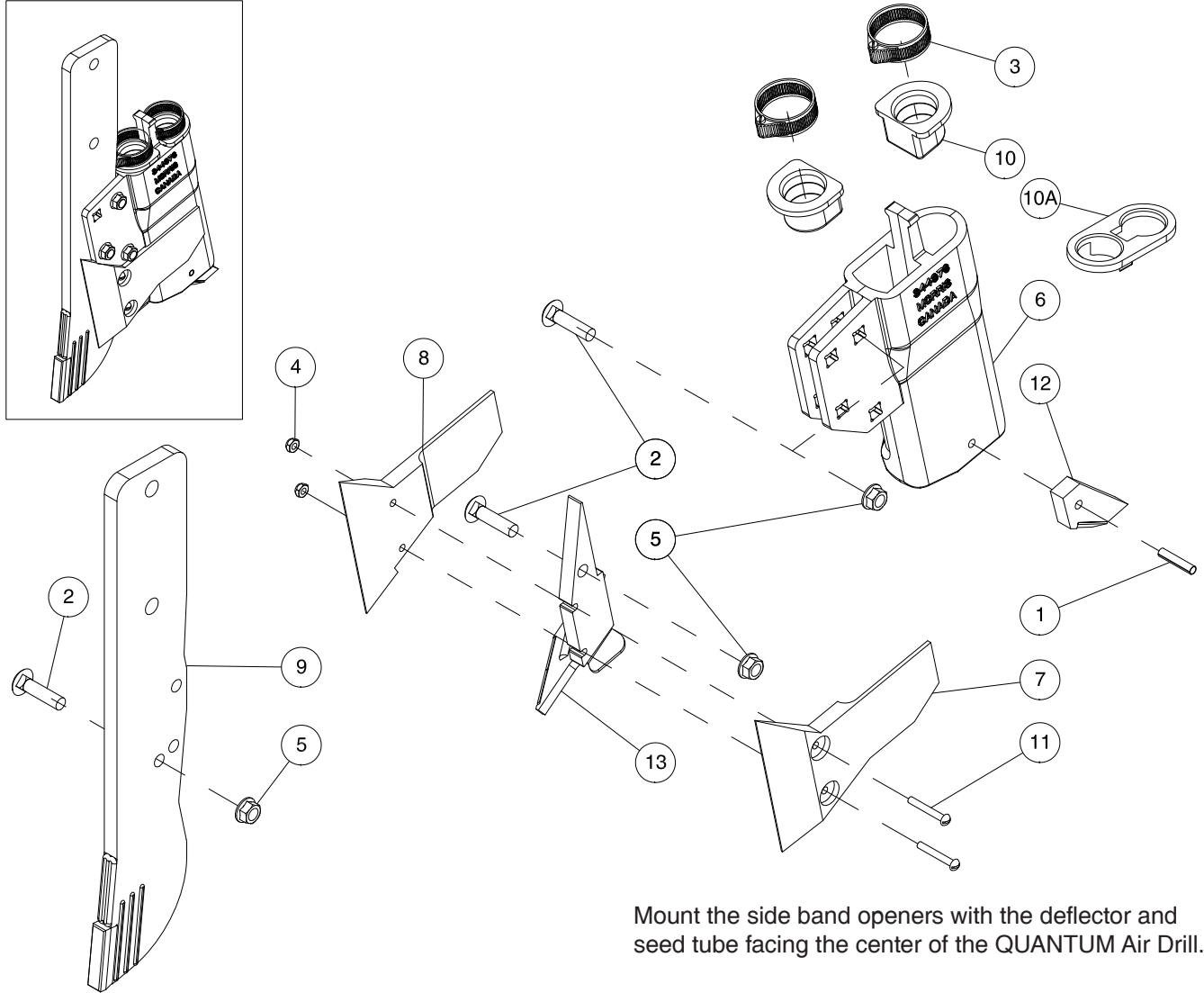
Seed Boot Double Shoot - Side Band - Left



Mount the side band openers with the deflector and seed tube facing the center of the QUANTUM Air Drill.

Item	Part No.	Description	Qty
1	D-5243	Roll Pin.....	1
2	D-5261	Carriage Bolt - 3/8 x 1-1/2 Lg	3
3	N11470	Hose Clamp	2
4	N37787	Nylon Insert Locknut - #10-24	2
5	S27987	Center Lock Flange Lock Nut - 3/8	3
6	S44977	Cast Double Shoot Boot - Side Band - Left.....	1
6A	S51469	Cast Double Shoot Boot - Side Band - Left - Carbide	
7	S45312	Mud Guard Option Left.....	1
8	S45313	Mud Guard Option Right	1
9	S65405	Shank - SHIELD CORE	1
10	S47076	Secondary Hose Grommet Option - 15/16 ID Hose	2
10A	S50245	Secondary Hose Grommet Option - 1.125 ID Hose	
11	S47128	Machine Screw - #10-24 x 1-3/8.....	2
12	S47980	Carbide Wear Tail.....	1
13	S49536	Side Band Shovel.....	1
	S46181	Kit - Mud Guards (Includes Items 4, 7, 8, and 11)	

Seed Boot Double Shoot - Side Band Boot - Right



Mount the side band openers with the deflector and seed tube facing the center of the QUANTUM Air Drill.

Item	Part No.	Description	Qty
1	D-5243	Roll Pin - 1/4 x 1 1/4 Lg.....	1
2	D-5261	Carriage Bolt - 3/8 x 1-1/2 Lg	3
3	N11470	Hose Clamp	2
4	N37787	Nylon Insert Locknut - #10-24	2
5	S27987	Center Lock Flange Lock Nut - 3/8	3
6	S44976	Cast Double Shoot Boot - Side Band - Right	1
6A	S51470	Cast Double Shoot Boot - Side Band - Right - Carbide	
7	S45312	Mud Guard Option Left.....	1
8	S45313	Mud Guard Option Right	1
9	S65405	Shank - SHIELD CORE	1
10	S47076	Secondary Hose Grommet Option - 15/16 ID Hose	2
10A	S50245	Secondary Hose Grommet Option- 1.125 ID Hose	
11	S47128	Machine Screw - #10-24 x 1-3/8.....	2
12	S47980	Carbide Wear Tail.....	1
13	S49537	Side Band Shovel - Right.....	1
	S46181	Kit - Mud Guards (Includes Items 4, 7, 8, and 11)	

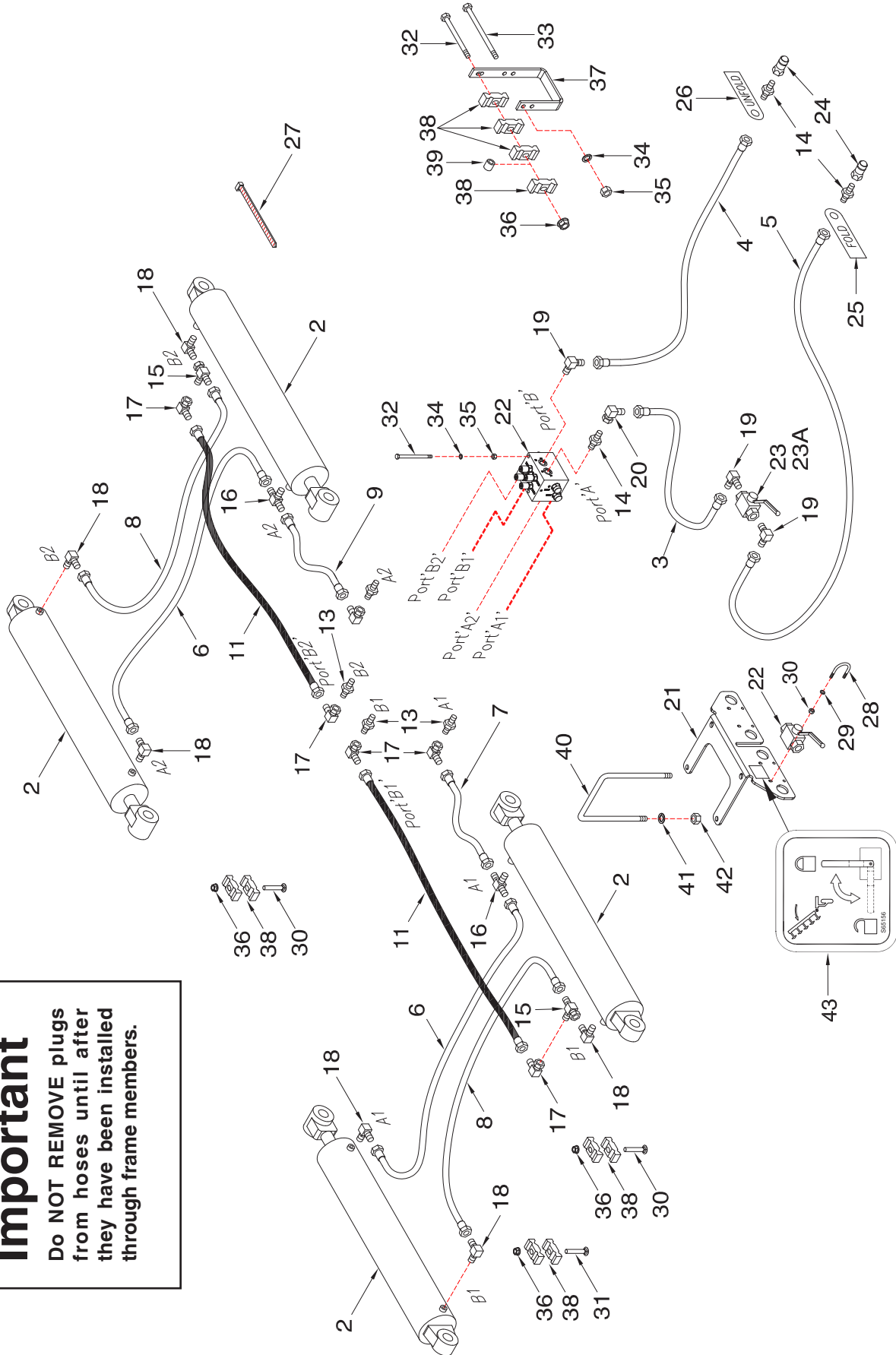
Section 4: Hydraulics

Section Contents

Wing Lift Hydraulics - 40 ft - 12m.....	4-3
Wing Lift Hydraulics - 50 ft - 15m.....	4-5
Wing Lift Hydraulics - 60 ft and 70 ft - 18m and 21m.....	4-7
Hydraulic Extension Kit - Tow Behind Cart.....	4-8
Opener Hydraulics - 10 inch Spacing - 40 ft to 70 ft	4-11
Opener Hydraulics - 250 mm Spacing - 12 m to 21 m	4-13
Opener Hydraulics - 12 inch Spacing - 40 ft to 70 ft.....	4-15
Opener Hydraulics - 300 mm Spacing - 12 m to 21 m	4-17
Opener Hydraulics - 15 inch (380 mm) Spacing - 40 ft to 70 ft.....	4-19
JEM - Pressure Control System	4-20
Apollo - Lift and Pressure Control Kit	4-22
Seal Kits.....	4-24
Wing Lift Valve Block	4-25
Opener Valve Block	4-26

Wing Lift Hydraulics 40 ft - 12m

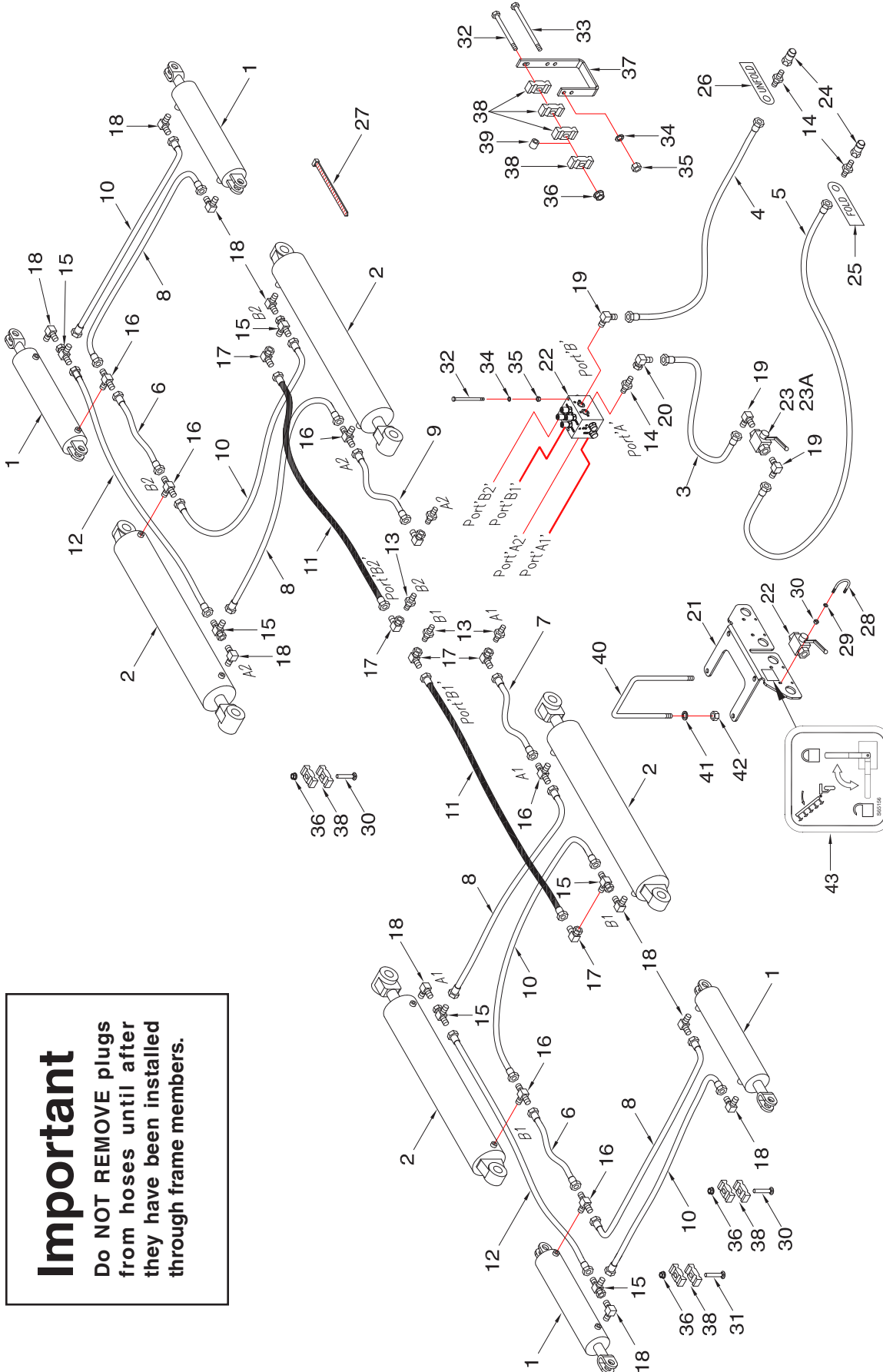
Important
Do NOT REMOVE plugs from hoses until after they have been installed through frame members.



Wing Lift Hydraulics - 40 ft - 12m

Item	Part No.	Description	Qty
1	*****		
2	C64930	Cylinder - 5 x 36.....	4
	C64920	Cylinder - 6 x 36 - Prior to November 2018	
3	N53211	Hyd Hose - 1/2 x 120 Lg - 7/8-14 FJIC Ends.....	1
4	S39539	Hyd Hose - 1/2 x 330 Lg - 7/8-14 FJIC Ends.....	1
5	C29565	Hyd Hose - 1/2 x 360 Lg - 7/8-14 FJIC Ends.....	1
6	S65408	Hyd Hose - 3/8 x 96 Lg - #6 9/16-18 FJIC Ends.....	2
7	S65409	Hyd Hose - 3/8 x 108 Lg - 9/16-18 FJIC Ends.....	1
8	S65421	Hyd Hose - 3/8 x 132 Lg - #6 9/16-18 FJIC Ends.....	2
9	S65419	Hyd Hose - 3/8 x 120 Lg - #6 9/16-18 FJIC Ends.....	1
10	*****		
11	S65398	Hyd Hose - 3/8 x 150 Lg - #6 9/16-18 FJIC Ends.....	2
12	*****		
13	C15348	Connector - 3/4-16 MORB x 9/16-18 MJIC.....	4
14	C14840	Connector - 3/4-16 MORB x 7/8-14 MJIC.....	3
15	C-4403	Swivel Tee - (2) 9/16-18 MJIC x (1) 9/16-18 FJIC (MMF).....	2
16	N31908	Swivel Tee - (2) 9/16-18 MJIC x (1) 9/16-18 MORB.....	2
17	S29967	90 Elbow - Swivel - 9/16-18 (#06) FJIC x 9/16-18 (#06) MJIC.....	6
18	N16143	90 Elbow - 9/16-18 (#06) MJIC x 9/16-18 (#06) MORB.....	6
19	C24585	90 Elbow - 7/8-14 MJIC x 3/4-16 MORB.....	3
20	K-5806	90 Elbow - 7/8-14 FJIC x 7/8-14 MJIC.....	1
21	S65129	Multi-Valve Mounting Plate.....	1
22	C53849	Manifold - Pressure Compensated Flow Control.....	1
23	N42880	Valve - 2 Way Ball.....	1
23A	N42881	Handle - Valve.....	1
24	N34443	Male Pioneer Tip - 3/4-16 ORB.....	2
25	S29960	Tag - Hose ID - Wing Lift - FOLD.....	1
26	S29961	Tag - Hose ID - Wing Lift - UNFOLD.....	1
27	D-4951	Nylon Tie Strap - 1/2 x 7 3/8.....	80
28	N34319	U-Bolt - 1/4 x 1 1/2 x 1 3/4 Lg.....	2
29	W-521	Lockwasher - 1/4.....	4
30	W-512	Hex Nut - 1/4.....	4
31	W14501	Carriage Bolt - 3/8 x 2 1/4 Lg.....	4
32	C-3918	Hex Bolt - 3/8 x 5 Lg.....	6
33	N19678	Hex Bolt - 3/8 x 7 Lg.....	4
34	W-523	Lockwasher - 3/8.....	6
35	W-514	Hex Nut - 3/8.....	6
36	S27987	Locknut - 3/8 Flanged Centre Lock.....	8
37	S65128	Oil Line Bracket.....	4
38	C-4698	Oil Line Clamp.....	24
39	N16257	Bushing - Spacer.....	4
40	H25628	U-Bolt - 1/2 x 6 x 9 3/8 Lg.....	2
41	W-525	Lockwasher - 1/2.....	4
42	W-516	Hex Nut - 1/2.....	4
43	S65156	Decal ISO - Wings Lock.....	1

Wing Lift Hydraulics 50 ft - 15m

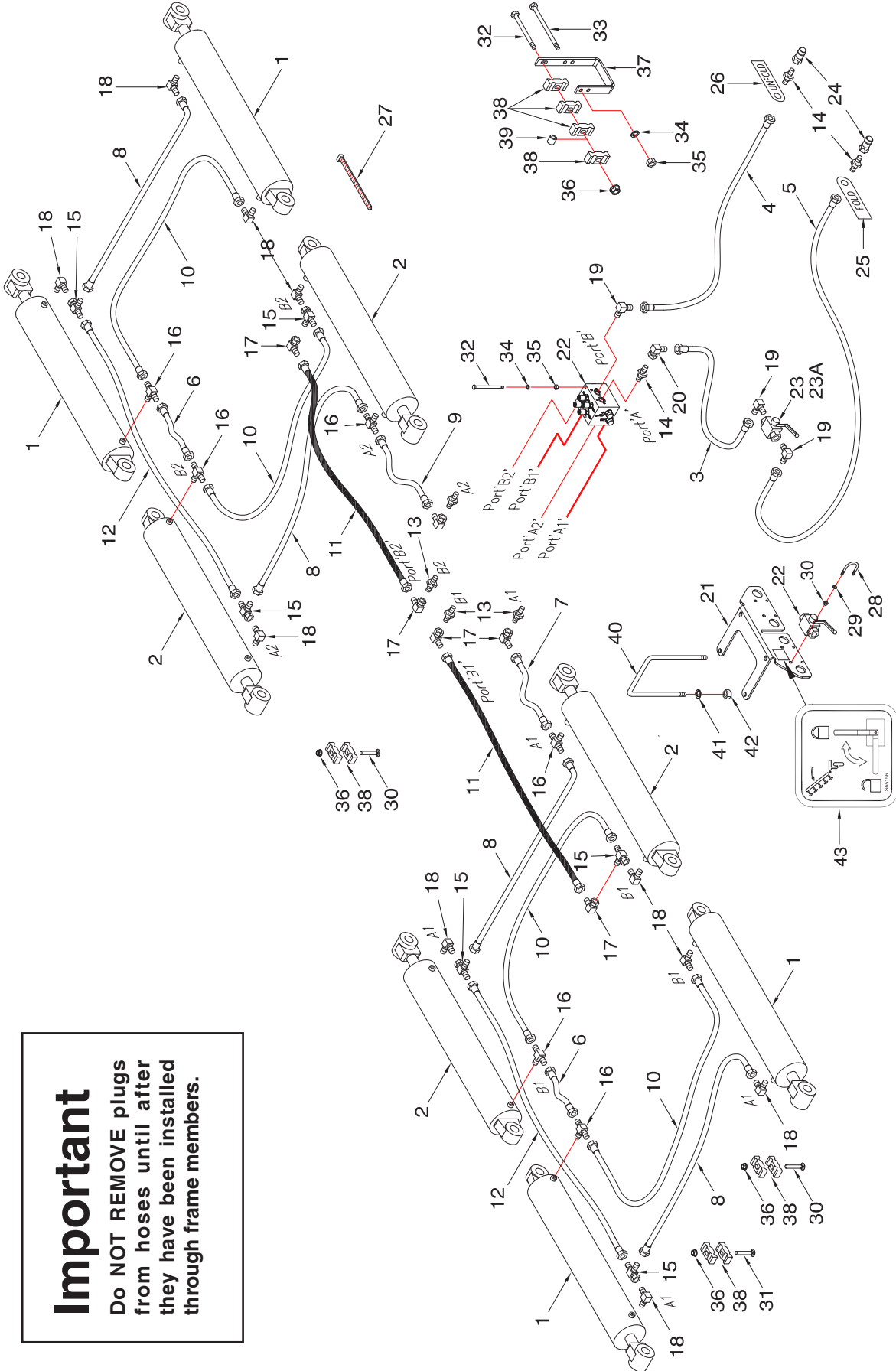


Important
Do NOT REMOVE plugs from hoses until after they have been installed through frame members.

Wing Lift Hydraulics - 50 ft - 15m

Item	Part No.	Description	Qty
1	C65366	Cylinder - 4 1/2 x 18 (50 ft).....	4
2	C64930	Cylinder - 5 x 36.....	4
	C64920	Cylinder - 6 x 36 - Prior to November 2018	
3	N53211	Hyd Hose - 1/2 x 120 Lg - /7/8-14 FJIC Ends.....	1
4	S39539	Hyd Hose - 1/2 x 330 Lg - 7/8-14 FJIC Ends.....	1
5	C29565	Hyd Hose - 1/2 x 360 Lg - 7/8-14 FJIC Ends.....	1
6	S65397	Hyd Hose - 3/8 x 80 Lg - 9/16-18 FJIC Ends (50 ft).....	2
7	S65409	Hyd Hose - 3/8 x 108 Lg - 9/16-18 FJIC Ends.....	1
8	S65408	Hyd Hose - 3/8 x 96 Lg - #6 9/16-18 FJIC Ends.....	4
9	S65419	Hyd Hose - 3/8 x 120 Lg - #6 9/16-18 FJIC Ends.....	1
10	S65421	Hyd Hose - 3/8 x 132 Lg - #6 9/16-18 FJIC Ends.....	4
11	S65398	Hyd Hose - 3/8 x 150 Lg - #6 9/16-18 FJIC Ends.....	2
12	S65411	Hyd Hose - 3/8 x 168 Lg - #6 9/16-18 FJIC Ends (50 ft).....	2
13	C15348	Connector - 3/4-16 MORB x 9/16-18 MJIC.....	4
14	C14840	Connector - 3/4-16 MORB x 7/8-14 MJIC.....	3
15	C-4403	Swivel Tee - (2) 9/16-18 MJIC x (1) 9/16-18 FJIC (MMF).....	6
16	N31908	Swivel Tee - (2) 9/16-18 MJIC x (1) 9/16-18 MORB.....	6
17	S29967	90 Elbow - Swivel - 9/16-18 (#06) FJIC x 9/16-18 (#06) MJIC.....	6
18	N16143	90 Elbow - 9/16-18 (#06) MJIC x 9/16-18 (#06) MORB.....	10
19	C24585	90 Elbow - 7/8-14 MJIC x 3/4-16 MORB.....	3
20	K-5806	90 Elbow - 7/8-14 FJIC x 7/8-14 MJIC.....	1
21	S65129	Multi-Valve Mounting Plate.....	1
22	C53849	Manifold - Pressure Compensated Flow Control.....	1
23	N42880	Valve - 2 Way Ball.....	1
23A	N42881	Handle - Valve.....	1
24	N34443	Male Pioneer Tip - 3/4-16 ORB.....	2
25	S29960	Tag - Hose ID - Wing Lift - FOLD.....	1
26	S29961	Tag - Hose ID - Wing Lift - UNFOLD.....	1
27	D-4951	Nylon Tie Strap - 1/2 x 7 3/8.....	80
28	N34319	U-Bolt - 1/4 x 1 1/2 x 1 3/4 Lg.....	2
29	W-521	Lockwasher - 1/4.....	4
30	W-512	Hex Nut - 1/4.....	4
31	W14501	Carriage Bolt - 3/8 x 2 1/4 Lg.....	8
32	C-3918	Hex Bolt - 3/8 x 5 Lg.....	6
33	N19678	Hex Bolt - 3/8 x 7 Lg.....	4
34	W-523	Lockwasher - 3/8.....	6
35	W-514	Hex Nut - 3/8.....	6
36	S27987	Locknut - 3/8 Flanged Centre Lock.....	12
37	S65128	Oil Line Bracket.....	4
38	C-4698	Oil Line Clamp.....	32
39	N16257	Bushing - Spacer.....	4
40	H25628	U-Bolt - 1/2 x 6 x 9 3/8 Lg.....	2
41	W-525	Lockwasher - 1/2.....	4
42	W-516	Hex Nut - 1/2.....	4
43	S65156	Decal ISO - Wings Lock.....	1

Wing Lift Hydraulics 60 ft and 70 ft - 18m and 21m



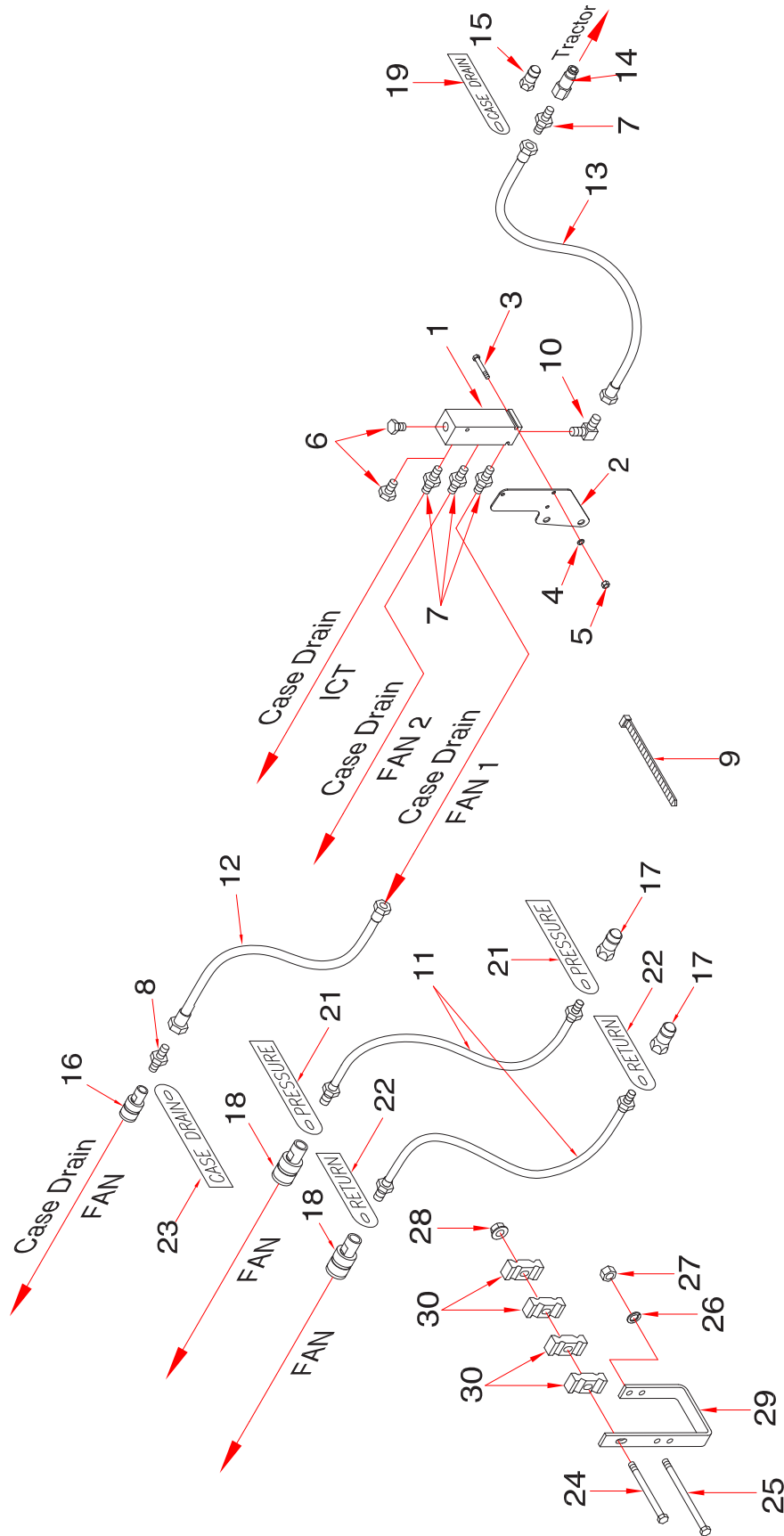
Important
Do NOT REMOVE plugs from hoses until after they have been installed through frame members.

Wing Lift Hydraulics - 60 ft and 70 ft - 18m and 21m

Item	Part No.	Description	Qty
1	C64930	Cylinder - 5 x 36 (60 ft & 70 ft)	4
2	C64920	Cylinder - 6 x 36	4
3	N53211	Hyd Hose - 1/2 x 120 Lg - 7/8-14 FJIC Ends	1
4	S39539	Hyd Hose - 1/2 x 330 Lg - 7/8-14 FJIC Ends	1
5	C29565	Hyd Hose - 1/2 x 360 Lg - 7/8-14 FJIC Ends	1
6	S44353	Hyd Hose - 3/8 x 48 Lg - #6 9/16-18 FJIC Ends (60 ft)	2
	S65407	Hyd Hose - 3/8 x 72 Lg - 9/16-18 FJIC Ends (70 ft)	2
7	S65409	Hyd Hose - 3/8 x 108 Lg - 9/16-18 FJIC Ends	1
8	S65408	Hyd Hose - 3/8 x 96 Lg - #6 9/16-18 FJIC Ends	4
9	S65419	Hyd Hose - 3/8 x 120 Lg - #6 9/16-18 FJIC Ends	1
10	S65421	Hyd Hose - 3/8 x 132 Lg - #6 9/16-18 FJIC Ends	4
11	S65398	Hyd Hose - 3/8 x 150 Lg - #6 9/16-18 FJIC Ends	2
12	S65420	Hyd Hose - 3/8 x 126 Lg - #6 9/16-18 FJIC Ends (60 ft)	2
	S65398	Hyd Hose - 3/8 x 150 Lg - #6 9/16-18 FJIC Ends (70 ft)	2
13	C15348	Connector - 3/4-16 MORB x 9/16-18 MJIC	4
14	C14840	Connector - 3/4-16 MORB x 7/8-14 MJIC	3
15	C-4403	Swivel Tee - (2) 9/16-18 MJIC x (1) 9/16-18 FJIC (MMF)	6
16	N31908	Swivel Tee - (2) 9/16-18 MJIC x (1) 9/16-18 MORB	6
17	S29967	90 Elbow - Swivel - 9/16-18 (#06) FJIC x 9/16-18 (#06) MJIC	6
18	N16143	90 Elbow - 9/16-18 (#06) MJIC x 9/16-18 (#06) MORB	10
19	C24585	90 Elbow - 7/8-14 MJIC x 3/4-16 MORB	3
20	K-5806	90 Elbow - 7/8-14 FJIC x 7/8-14 MJIC	1
21	S65129	Multi-Valve Mounting Plate	1
22	C53849	Manifold - Pressure Compensated Flow Control	1
23	N42880	Valve - 2 Way Ball	1
23A	N42881	Handle - Valve	1
24	N34443	Male Pioneer Tip - 3/4-16 ORB	2
25	S29960	Tag - Hose ID - Wing Lift - FOLD	1
26	S29961	Tag - Hose ID - Wing Lift - UNFOLD	1
27	D-4951	Nylon Tie Strap - 1/2 x 7 3/8	80
28	N34319	U-Bolt - 1/4 x 1 1/2 x 1 3/4 Lg	2
29	W-521	Lockwasher - 1/4	4
30	W-512	Hex Nut - 1/4	4
31	W14501	Carriage Bolt - 3/8 x 2 1/4 Lg	8
32	C-3918	Hex Bolt - 3/8 x 5 Lg	6
33	N19678	Hex Bolt - 3/8 x 7 Lg	4
34	W-523	Lockwasher - 3/8	6
35	W-514	Hex Nut - 3/8	6
36	S27987	Locknut - 3/8 Flanged Centre Lock	12
37	S65128	Oil Line Bracket	4
38	C-4698	Oil Line Clamp	32
39	N16257	Bushing - Spacer	4
40	H25628	U-Bolt - 1/2 x 6 x 9 3/8 Lg	2
41	W-525	Lockwasher - 1/2	4
42	W-516	Hex Nut - 1/2	4
43	S65156	Decal ISO - Wings Lock	1

Hydraulics

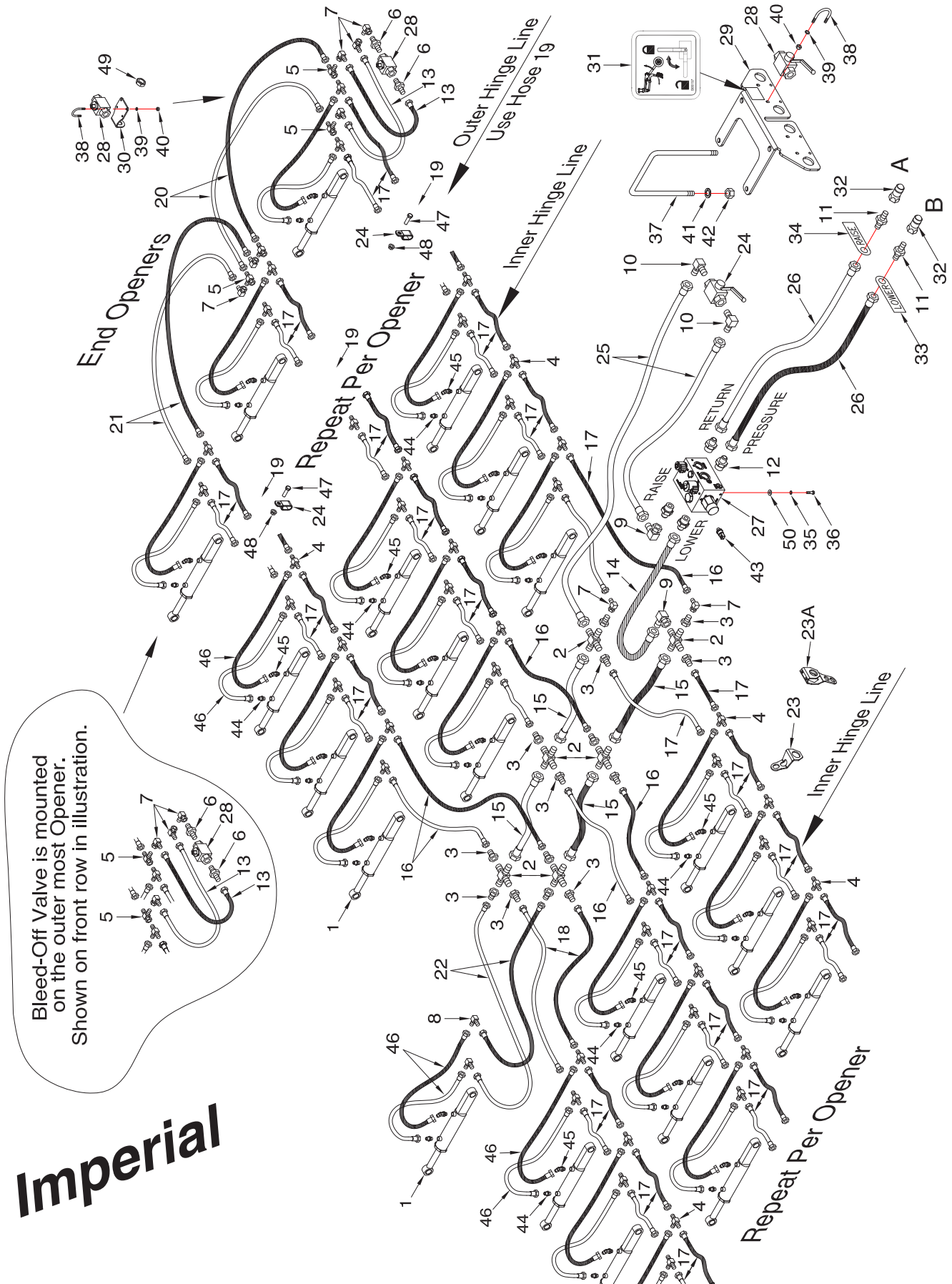
Hydraulic Extension Kit - Tow Behind Cart



Hydraulics - Hydraulic Extension Kit - Tow Behind Cart

Item	Part No.	Description	Qty
1	N58670	Case Drain Header	1
2	N58671	Plate - Case Drain Header Mount	1
3	C15319	Hex Bolt - 1/4 x 2 1/2 Lg.....	3
4	W-521	Lockwasher - 1/4.....	3
5	W-512	Hex Nut - 1/4.....	3
6	C28505	Plug - 3/4-16 MORB - Used on Ports not in use on Case Drain Header.....	3
7	C14840	Connector - 3/4-16 MORB x 7/8-14 MJIC	4
8	N34505	Connector - Swivel - 7/8-14 MORB x 7/8-14 MJIC.....	1
9	D-4951	Nylon Tie Strap - 7 3/8 Lg	12
10	N34646	90 Elbow - 7/8-14 MJIC x 1 1/16-12 MORB	1
11	N37036	Hyd Hose - 3/4 x 396 Lg w/1 1/16-12 MORB (3-Frame Contour Air Drill)	2
	N37035	Hyd Hose - 3/4 x 348 Lg w/1 1/16-12 MORB	2
	N44955	Hyd Hose - 3/4 x 456 Lg w/1 1/16-12 MORB (5-Frame Contour Air Drill)	2
12	N50099	Hyd Hose - 3/8 x 348 Lg w/7/8-14 FJIC x 7/8-14 FJIC Swivel End	1
	N55806	Hyd Hose - 3/8 x 300 Lg w/7/8-14 FJIC Ends.....	1
	N50088	Hyd Hose - 3/8 x 396 Lg w/7/8-14 FJIC Ends (5-Frame Contour Air Drill).....	1
13	F-4565	Hyd Hose - 1/2 x 60 Lg w/7/8-14 FJIC.....	1
14	K50834	3/8 Flat Face Tip - 3/4-16 FORB	1
15	N34443	1/2 Male Pioneer Tip - 3/4-16 FORB	1
16	N34488	1/2 Pioneer Coupler - 7/8-14 FORB.....	1
17	N37914	3/4 Male Tip - 1 1/16-12 FORB.....	2
18	N37915	3/4 Female Coupler - 1 1/16-12 FORB.....	2
19	S44468	Tag - Hose ID - Reducing Valve - CASE DRAIN.....	1
20	N58343	Tag - Hose ID - ICT - CASE DRAIN	1
21	N34576	Tag - Hose ID - Air Tank - Fan/Auger - PRESSURE	2
21A	N58340	Tag - Hose ID - Air Tank - Fan 2 - PRESSURE	2
22	N34577	Tag - Hose ID - Air Tank - Fan/Auger - RETURN	2
22A	N58341	Tag - Hose ID - Air Tank - Fan 2 - RETURN	2
23	N34578	Tag - Hose ID - Air Tank - Fan/Auger - CASE DRAIN	2
23A	N58342	Tag - Hose ID - Air Tank - Fan 2 - CASE DRAIN	2
24	C-3918	Hex Bolt - 3/8 x 5 Lg.....	6
25	N19678	Hex Bolt - 3/8 x 7 Lg.....	6
26	W-523	Lockwasher - 3/8.....	6
27	W-514	Hex Nut - 3/8.....	6
28	S27987	Locknut - 3/8 Flanged Centre Lock.....	6
29	S65128	Oil Line Bracket.....	6
30	C-4698	Oil Line Clamp	24

Opener Hydraulics 10 inch Spacing - 40 ft to 70 ft



Bleed-Off Valve is mounted on the outer most Opener. Shown on front row in illustration.

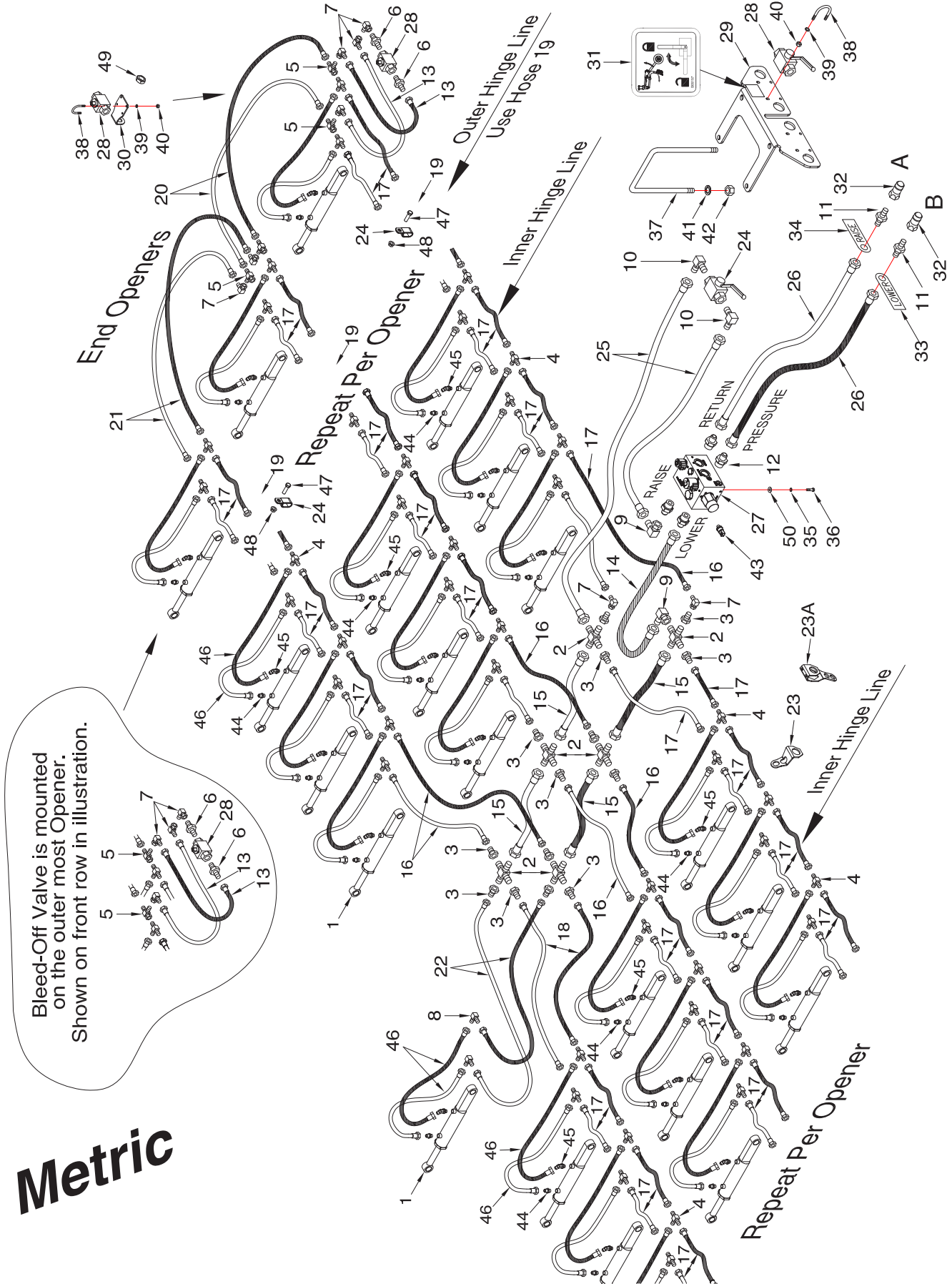
Imperial

Opener Hydraulics - 10 inch Spacing - 40 ft to 70 ft

Item	Part No.	Description	Qty
1	C64546	Cylinder	AsReq
2	C-4401	Cross - (4) 7/8-14 MJIC.....	6
3	F10384	Reducer - 7/8-14 MJIC x 9/16-18 MJIC.....	14
4	C-4393	Tee - 9/16-18 MJIC	AsReq
5	C-4403	Tee - (2) 9/16-18 MJIC x (1) 9/16-18 FJIC (MMF).....	8
6	C15348	Connector - 9/16-18 MJIC x 3/4-16 MORB	4
7	S29967	90 Elbow - 9/16-18 FJIC x 9/16-18 MJIC	10
8	F-3867	90 Elbow - 9/16-18 (#06) MJIC	2
9	K-5806	90 Elbow - 7/8-14 FJIC x 7/8-14 MJIC.....	2
10	C24585	90 Elbow - 7/8-14 MJIC x 3/4-16 MORB.....	2
11	C14840	Connector - 7/8-14 MJIC x 3/4-16 MORB	2
12	N47903	Connector - 7/8-14 (#10) MJIC x 1 1/16-12 (#12) MORB.....	4
13	S66243	Hyd Hose - 1/4 x 22 Lg w/9/16-18 FJIC.....	4
14	S66755	Hyd Hose - 1/2 x 30 Lg - #10 7/8-14 FJIC Swivel Ends.....	1
15	S66758	Hyd Hose - 1/2 x 34 Lg - #10 7/8-14 FJIC Swivel Ends.....	4
16	S47973	Hyd Hose - 3/8 x 20 Lg - #6 9/16-18 FJIC	6
17	S42967	Hyd Hose - 3/8 x 30Lg - #6 9/16-18 FJIC	AsReq
18	S65670	Hyd Hose - 3/8 x 42 Lg - #6 9/16-18 FJIC	2
19	S65670	Hyd Hose - 3/8 x 42 Lg - #6 9/16-18 FJIC - Outer Hinge Line.....	12
20	S53696	Hyd Hose - 3/8 x 66 Lg - #6 9/16-18 FJIC Ends - 40 ft	4
	S47799	Hyd Hose - 3/8 x 60 Lg - #6 9/16-18 FJIC Ends - 50 ft	4
	S47799	Hyd Hose - 3/8 x 60 Lg - #6 9/16-18 FJIC Ends - 60 ft	4
	S47799	Hyd Hose - 3/8 x 60 Lg - #6 9/16-18 FJIC Ends - 70 ft	4
21	S53696	Hyd Hose - 3/8 x 66 Lg - #6 9/16-18 FJIC Ends - 40 ft	4
	S65397	Hyd Hose - 3/8 x 80 Lg - #6 9/16-18 FJIC Ends - 50 ft	4
	S65397	Hyd Hose - 3/8 x 80 Lg - #6 9/16-18 FJIC Ends - 60 ft	4
	S65397	Hyd Hose - 3/8 x 80 Lg - #6 9/16-18 FJIC Ends - 70 ft	4
22	S65420	Hyd Hose - 3/8 x 126 Lg - #6 9/16-18 FJIC Ends	2
23	S66245	Hose Holder - Opener.....	AsReq
23A	S67170	Hose Holder - Opener - Low Profile	4
24	S66255	Hose Holder Loop - Outer Hinge Line.....	4
25	S65668	Hyd Hose - 3/4 x 120 Lg - #10 7/8-14 FJIC Ends	2
26	S58157	Hyd Hose - 3/4 x 330 Lg - #10 7/8-14 FJIC Ends	2
27	S64940	Manifold - Opener Control.....	1
28	N42880	Lock Valve - 2 Way Ball	3
28A	N42881	Handle - Valve	1
29	S65129	Valve Mounting Plate.....	1
30	S66754	Mount Plate - Ball Valve	2
31	S65157	Decal ISO - Openers Lock.....	1
32	N34443	Male Tip - 3/4-16 MORB.....	2
33	S29959	Tag - Hose ID - Depth Control - LOWER.....	1
34	S29958	Tag - Hose ID - Depth Control - RAISE	1
35	W-523	Lockwasher - 3/8 ... (Valve Block).....	4
36	W-475	Hex Bolt - 3/8 x 1 Lg(Valve Block).....	4
37	H25628	U-Bolt - 1/2 x 6 x 9 3/8 Lg.....	2
38	N34319	U-Bolt - 1/4 x 1 1/2 x 2	4
39	W-521	Lockwasher - 1/4.....	8
40	W-512	Hex Nut - 1/4.....	8
41	W-525	Lockwasher - 1/2.....	4
42	W-516	Hex Nut - 1/2.....	4
43	K62977	Pressure Transducer.....	1
44	N29358	Connector - 9/16-18 (#06) MJIC x 9/16-18 (#06) MORB (1 per Opener).....	AsReq
45	N19578	45 Elbow - 9/16-18 (#06) MJIC x 9/16-18 (#06) MORB (1 per Opener).....	AsReq
46	S66243	Hyd Hose - 1/4 x 22 Lg - #6 9/16-18 FJIC Ends (High Flex) (2 per Opener).....	AsReq
47	W-475	Hex Bolt - 3/8 x 1 Lg - Outer Hinge Line	4
48	D-5279	Locknut - 3/8 Serrated - Outer Hinge Line	4
49	S-771	Hex Jam Nut - 1	2
50	W-538	Flatwasher - 7/16 ID x 1 OD x 14 GA ... (Valve Block)	4

Imperial

Opener Hydraulics 250 mm Spacing - 12 m to 21 m

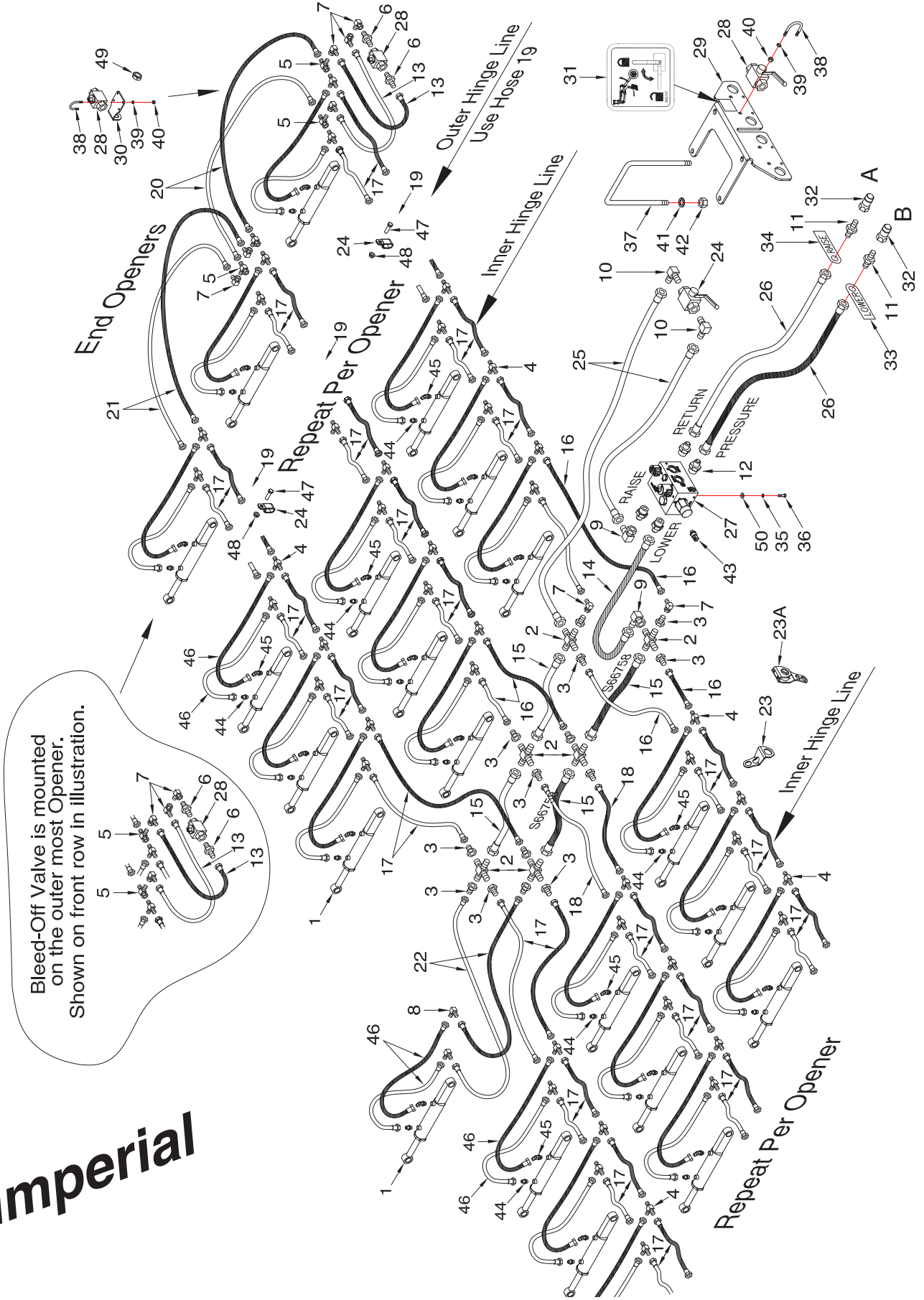


Opener Hydraulics - 250 mm Spacing - 12 m to 21 m

Item	Part No.	Description	Qty
1	C64546	Cylinder	AsReq
2	C-4401	Cross - (4) 7/8-14 MJIC.....	6
3	F10384	Reducer - 7/8-14 MJIC x 9/16-18 MJIC.....	14
4	C-4393	Tee - 9/16-18 MJIC	AsReq
5	C-4403	Tee - (2) 9/16-18 MJIC x (1) 9/16-18 FJIC (MMF).....	8
6	C15348	Connector - 9/16-18 MJIC x 3/4-16 MORB	4
7	S29967	90 Elbow - 9/16-18 FJIC x 9/16-18 MJIC	10
8	F-3867	90 Elbow - 9/16-18 (#06) MJIC	2
9	K-5806	90 Elbow - 7/8-14 FJIC x 7/8-14 MJIC.....	2
10	C24585	90 Elbow - 7/8-14 MJIC x 3/4-16 MORB.....	2
11	C14840	Connector - 7/8-14 MJIC x 3/4-16 MORB	2
12	N47903	Connector - 7/8-14 (#10) MJIC x 1 1/16-12 (#12) MORB.....	4
13	S66243	Hyd Hose - 1/4 x 22 Lg w/9/16-18 FJIC - Bleed-Off Valve	4
14	S66755	Hyd Hose - 1/2 x 30 Lg - #10 7/8-14 FJIC Swivel Ends.....	1
15	S66758	Hyd Hose - 1/2 x 34 Lg - #10 7/8-14 FJIC Swivel Ends.....	4
16	S47973	Hyd Hose - 3/8 x 20 Lg - #6 9/16-18 FJIC	6
17	S42967	Hyd Hose - 3/8 x 30Lg - #6 9/16-18 FJIC	AsReq
18	S65670	Hyd Hose - 3/8 x 42 Lg - #6 9/16-18 FJIC	2
19	S65670	Hyd Hose - 3/8 x 42 Lg - #6 9/16-18 FJIC - Outer Hinge Line.....	12
20	S53696	Hyd Hose - 3/8 x 66 Lg - #6 9/16-18 FJIC Ends - 12m	4
	S65407	Hyd Hose - 3/8 x 72 Lg - #6 9/16-18 FJIC Ends - 15m	4
	S65407	Hyd Hose - 3/8 x 72 Lg - #6 9/16-18 FJIC Ends - 18m	4
	S65407	Hyd Hose - 3/8 x 72 Lg - #6 9/16-18 FJIC Ends - 21m	4
21	S53696	Hyd Hose - 3/8 x 66 Lg - #6 9/16-18 FJIC Ends - 12m	4
	S66438	Hyd Hose - 3/8 x 92 Lg - #6 9/16-18 FJIC Ends - 15m	4
	S66438	Hyd Hose - 3/8 x 92 Lg - #6 9/16-18 FJIC Ends - 18m	4
	S66438	Hyd Hose - 3/8 x 92 Lg - #6 9/16-18 FJIC Ends - 21m	4
22	S65420	Hyd Hose - 3/8 x 126 Lg - #6 9/16-18 FJIC Ends	2
23	S66245	Hose Holder - Opener.....	AsReq
23A	S67170	Hose Holder - Opener - Low Profile	4
24	S66255	Hose Holder Loop - Outer Hinge Line.....	4
25	S65668	Hyd Hose - 3/4 x 120 Lg - #10 7/8-14 FJIC Ends	2
26	S58157	Hyd Hose - 3/4 x 330 Lg - #10 7/8-14 FJIC Ends	2
27	S64940	Manifold - Opener Control.....	1
28	N42880	Lock Valve - 2 Way Ball	3
28A	N42881	Handle - Valve	1
29	S65129	Valve Mounting Plate.....	1
30	S66754	Mount Plate - Ball Valve	2
31	S65157	Decal ISO - Openers Lock.....	1
32	N34443	Male Tip - 3/4-16 MORB.....	2
33	S29959	Tag - Hose ID - Depth Control - LOWER.....	1
34	S29958	Tag - Hose ID - Depth Control - RAISE	1
35	W-523	Lockwasher - 3/8 ... (Valve Block)	4
36	W-475	Hex Bolt - 3/8 x 1 Lg(Valve Block).....	4
37	H25628	U-Bolt - 1/2 x 6 x 9 3/8 Lg	2
38	N34319	U-Bolt - 1/4 x 1 1/2 x 2	4
39	W-521	Lockwasher - 1/4.....	8
40	W-512	Hex Nut - 1/4	8
41	W-525	Lockwasher - 1/2.....	4
42	W-516	Hex Nut - 1/2	4
43	K62977	Pressure Transducer	1
44	N29358	Connector - 9/16-18 (#06) MJIC x 9/16-18 (#06) MORB (1 per Opener)	AsReq
45	N19578	45 Elbow - 9/16-18 (#06) MJIC x 9/16-18 (#06) MORB (1 per Opener).....	AsReq
46	S66243	Hyd Hose - 1/4 x 22 Lg - #6 9/16-18 FJIC Ends (High Flex) (2 per Opener)	AsReq
47	W-475	Hex Bolt - 3/8 x 1 Lg - Outer Hinge Line	4
48	D-5279	Locknut - 3/8 Serrated - Outer Hinge Line	4
49	S-771	Hex Jam Nut - 1	2
50	W-538	Flatwasher - 7/16 ID x 1 OD x 14 GA ... (Valve Block)	4

Metric

Opener Hydraulics 12 inch Spacing - 40 ft to 70 ft



Bleed-Off Valve is mounted on the outer most Opener. Shown on front row in illustration.

Imperial

Opener Hydraulics - 12 inch Spacing - 40 ft to 70 ft

Item	Part No.	Description	Qty
1	C64546	Cylinder	AsReq
2	C-4401	Cross - (4) 7/8-14 MJIC.....	6
3	F10384	Reducer - 7/8-14 MJIC x 9/16-18 MJIC.....	14
4	C-4393	Tee - 9/16-18 MJIC	AsReq
5	C-4403	Tee - (2) 9/16-18 MJIC x (1) 9/16-18 FJIC (MMF).....	8
6	C15348	Connector - 9/16-18 MJIC x 3/4-16 MORB	4
7	S29967	90 Elbow - 9/16-18 FJIC x 9/16-18 MJIC	10
8	F-3867	90 Elbow - 9/16-18 (#06) MJIC	2
9	K-5806	90 Elbow - 7/8-14 FJIC x 7/8-14 MJIC.....	2
10	C24585	90 Elbow - 7/8-14 MJIC x 3/4-16 MORB.....	2
11	C14840	Connector - 7/8-14 MJIC x 3/4-16 MORB	2
12	N47903	Connector - 7/8-14 (#10) MJIC x 1 1/16-12 (#12) MORB.....	4
13	S66243	Hyd Hose - 1/4 x 22 Lg w/9/16-18 FJIC - Bleed-Off Valve	4
14	S66755	Hyd Hose - 1/2 x 30 Lg - #10 7/8-14 FJIC Swivel Ends.....	1
15	S66758	Hyd Hose - 1/2 x 34 Lg - #10 7/8-14 FJIC Swivel Ends.....	4
16	S47973	Hyd Hose - 3/8 x 20 Lg - #6 9/16-18 FJIC	6
17	S42969	Hyd Hose - 3/8 x 36 Lg - #6 9/16-18 FJIC	AsReq
18	S65670	Hyd Hose - 3/8 x 42 Lg - #6 9/16-18 FJIC	2
19	S44353	Hyd Hose - 3/8 x 48 Lg - #6 9/16-18 FJIC - Outer Hinge Line.....	12
20	S53696	Hyd Hose - 3/8 x 66 Lg - #6 9/16-18 FJIC Ends - 40 ft	4
	N48126	Hyd Hose - 3/8 x 70 Lg - #6 9/16-18 FJIC Ends - 50 ft	4
	S66436	Hyd Hose - 3/8 x 86 Lg - #6 9/16-18 FJIC Ends - 60 ft	4
	S53696	Hyd Hose - 3/8 x 66 Lg - #6 9/16-18 FJIC Ends - 70 ft	4
21	S53696	Hyd Hose - 3/8 x 66 Lg - #6 9/16-18 FJIC Ends - 40 ft	4
	S53696	Hyd Hose - 3/8 x 66 Lg - #6 9/16-18 FJIC Ends - 50 ft	4
	N48126	Hyd Hose - 3/8 x 76 Lg - #6 9/16-18 FJIC Ends - 60 ft	4
	S66436	Hyd Hose - 3/8 x 86 Lg - #6 9/16-18 FJIC Ends - 70 ft	4
22	S65420	Hyd Hose - 3/8 x 126 Lg - #6 9/16-18 FJIC Ends	2
23	S66245	Hose Holder - Opener.....	AsReq
23A	S67170	Hose Holder - Opener - Low Profile	4
24	S66255	Hose Holder Loop - Outer Hinge Line.....	4
25	S65668	Hyd Hose - 3/4 x 120 Lg - #10 7/8-14 FJIC Ends	2
26	S58157	Hyd Hose - 3/4 x 330 Lg - #10 7/8-14 FJIC Ends	2
27	S64940	Manifold - Opener Control.....	1
28	N42880	Lock Valve - 2 Way Ball	3
28A	N42881	Handle - Valve	1
29	S65129	Valve Mounting Plate.....	1
30	S66754	Mount Plate - Ball Valve	2
31	S65157	Decal ISO - Openers Lock.....	1
32	N34443	Male Tip - 3/4-16 MORB.....	2
33	S29959	Tag - Hose ID - Depth Control - LOWER.....	1
34	S29958	Tag - Hose ID - Depth Control - RAISE	1
35	W-523	Lockwasher - 3/8 ... (Valve Block)	4
36	W-475	Hex Bolt - 3/8 x 1 Lg(Valve Block).....	4
37	H25628	U-Bolt - 1/2 x 6 x 9 3/8 Lg.....	2
38	N34319	U-Bolt - 1/4 x 1 1/2 x 2	4
39	W-521	Lockwasher - 1/4.....	8
40	W-512	Hex Nut - 1/4.....	8
41	W-525	Lockwasher - 1/2.....	4
42	W-516	Hex Nut - 1/2.....	4
43	K62977	Pressure Transducer.....	1
44	N29358	Connector - 9/16-18 (#06) MJIC x 9/16-18 (#06) MORB (1 per Opener)	AsReq
45	N19578	45 Elbow - 9/16-18 (#06) MJIC x 9/16-18 (#06) MORB (1 per Opener).....	AsReq
46	S66243	Hyd Hose - 1/4 x 22 Lg - #6 9/16-18 FJIC Ends (High Flex) (2 per Opener)	AsReq
47	W-475	Hex Bolt - 3/8 x 1 Lg - Outer Hinge Line	4
48	D-5279	Locknut - 3/8 Serrated - Outer Hinge Line	4
49	S-771	Hex Jam Nut - 1	2
50	W-538	Flatwasher - 7/16 ID x 1 OD x 14 GA ... (Valve Block)	4

Imperial

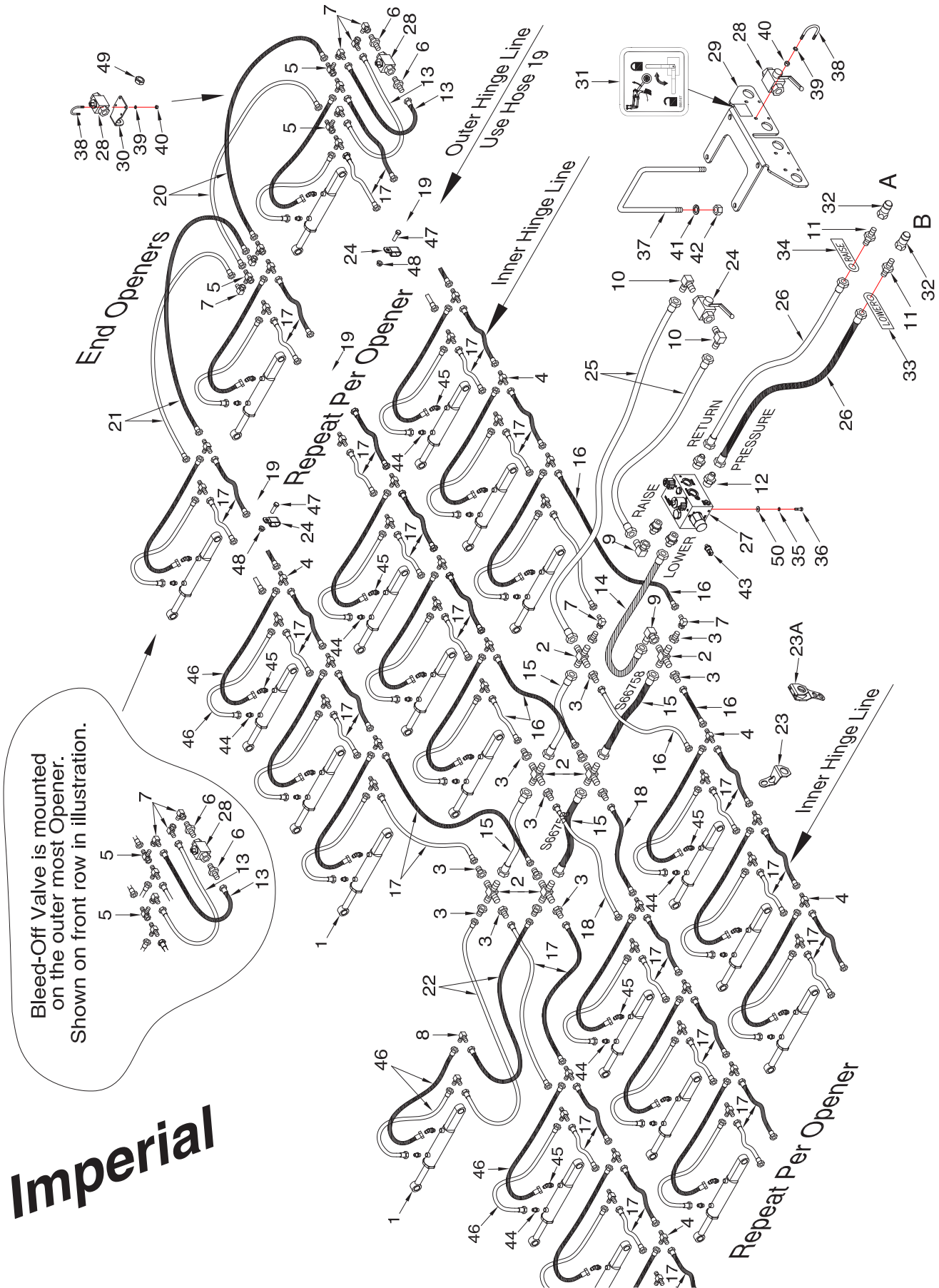
Opener Hydraulics - 300 mm Spacing - 12 m to 21 m

Item	Part No.	Description	Qty
1	C64546	Cylinder	AsReq
2	C-4401	Cross - (4) 7/8-14 MJIC.....	6
3	F10384	Reducer - 7/8-14 MJIC x 9/16-18 MJIC.....	14
4	C-4393	Tee - 9/16-18 MJIC	AsReq
5	C-4403	Tee - (2) 9/16-18 MJIC x (1) 9/16-18 FJIC (MMF).....	8
6	C15348	Connector - 9/16-18 MJIC x 3/4-16 MORB	4
7	S29967	90 Elbow - 9/16-18 FJIC x 9/16-18 MJIC	10
8	F-3867	90 Elbow - 9/16-18 (#06) MJIC	2
9	K-5806	90 Elbow - 7/8-14 FJIC x 7/8-14 MJIC.....	2
10	C24585	90 Elbow - 7/8-14 MJIC x 3/4-16 MORB.....	2
11	C14840	Connector - 7/8-14 MJIC x 3/4-16 MORB	2
12	N47903	Connector - 7/8-14 (#10) MJIC x 1 1/16-12 (#12) MORB.....	4
13	S66243	Hyd Hose - 1/4 x 22 Lg w/9/16-18 FJIC - Bleed-Off Valve	4
14	S66755	Hyd Hose - 1/2 x 30 Lg - #10 7/8-14 FJIC Swivel Ends.....	1
15	S66758	Hyd Hose - 1/2 x 34 Lg - #10 7/8-14 FJIC Swivel Ends.....	4
16	S47973	Hyd Hose - 3/8 x 20 Lg - #6 9/16-18 FJIC	6
17	S42969	Hyd Hose - 3/8 x 36 Lg - #6 9/16-18 FJIC	AsReq
18	S65670	Hyd Hose - 3/8 x 42 Lg - #6 9/16-18 FJIC	4
19	S44353	Hyd Hose - 3/8 x 48 Lg - #6 9/16-18 FJIC - Outer Hinge Line.....	12
20	S65407	Hyd Hose - 3/8 x 72 Lg - #6 9/16-18 FJIC Ends - 12m	4
	S66436	Hyd Hose - 3/8 x 86 Lg - #6 9/16-18 FJIC Ends - 15m	4
	S66437	Hyd Hose - 3/8 x 100 Lg - #6 9/16-18 FJIC Ends - 18m	4
	N48126	Hyd Hose - 3/8 x 76 Lg - #6 9/16-18 FJIC Ends - 21m	4
21	N48126	Hyd Hose - 3/8 x 76 Lg - #6 9/16-18 FJIC Ends - 12m	4
	N48126	Hyd Hose - 3/8 x 76 Lg - #6 9/16-18 FJIC Ends - 15m	4
	S66436	Hyd Hose - 3/8 x 86 Lg - #6 9/16-18 FJIC Ends - 18m	4
	S66437	Hyd Hose - 3/8 x 100 Lg - #6 9/16-18 FJIC Ends - 21m	4
22	S65420	Hyd Hose - 3/8 x 126 Lg - #6 9/16-18 FJIC Ends	2
23	S66245	Hose Holder - Opener.....	AsReq
23A	S67170	Hose Holder - Opener - Low Profile	4
24	S66255	Hose Holder Loop - Outer Hinge Line.....	4
25	S65668	Hyd Hose - 3/4 x 120 Lg - #10 7/8-14 FJIC Ends	2
26	S58157	Hyd Hose - 3/4 x 330 Lg - #10 7/8-14 FJIC Ends	2
27	S64940	Manifold - Opener Control.....	1
28	N42880	Lock Valve - 2 Way Ball	3
28A	N42881	Handle - Valve	1
29	S65129	Valve Mounting Plate.....	1
30	S66754	Mount Plate - Ball Valve	2
31	S65157	Decal ISO - Openers Lock.....	1
32	N34443	Male Tip - 3/4-16 MORB.....	2
33	S29959	Tag - Hose ID - Depth Control - LOWER.....	1
34	S29958	Tag - Hose ID - Depth Control - RAISE	1
35	W-523	Lockwasher - 3/8 ... (Valve Block)	4
36	W-475	Hex Bolt - 3/8 x 1 Lg(Valve Block).....	4
37	H25628	U-Bolt - 1/2 x 6 x 9 3/8 Lg.....	2
38	N34319	U-Bolt - 1/4 x 1 1/2 x 2	4
39	W-521	Lockwasher - 1/4.....	8
40	W-512	Hex Nut - 1/4.....	8
41	W-525	Lockwasher - 1/2.....	4
42	W-516	Hex Nut - 1/2.....	4
43	K62977	Pressure Transducer.....	1
44	N29358	Connector - 9/16-18 (#06) MJIC x 9/16-18 (#06) MORB (1 per Opener)	AsReq
45	N19578	45 Elbow - 9/16-18 (#06) MJIC x 9/16-18 (#06) MORB (1 per Opener).....	AsReq
46	S66243	Hyd Hose - 1/4 x 22 Lg - #6 9/16-18 FJIC Ends (High Flex) (2 per Opener)	AsReq
47	W-475	Hex Bolt - 3/8 x 1 Lg - Outer Hinge Line	4
48	D-5279	Locknut - 3/8 Serrated - Outer Hinge Line	4
49	S-771	Hex Jam Nut - 1	2
50	W-538	Flatwasher - 7/16 ID x 1 OD x 14 GA ... (Valve Block)	4

Metric

Opener Hydraulics

15 inch (380 mm) Spacing - 40 ft to 70 ft



Bleed-Off Valve is mounted on the outer most Opener. Shown on front row in illustration.

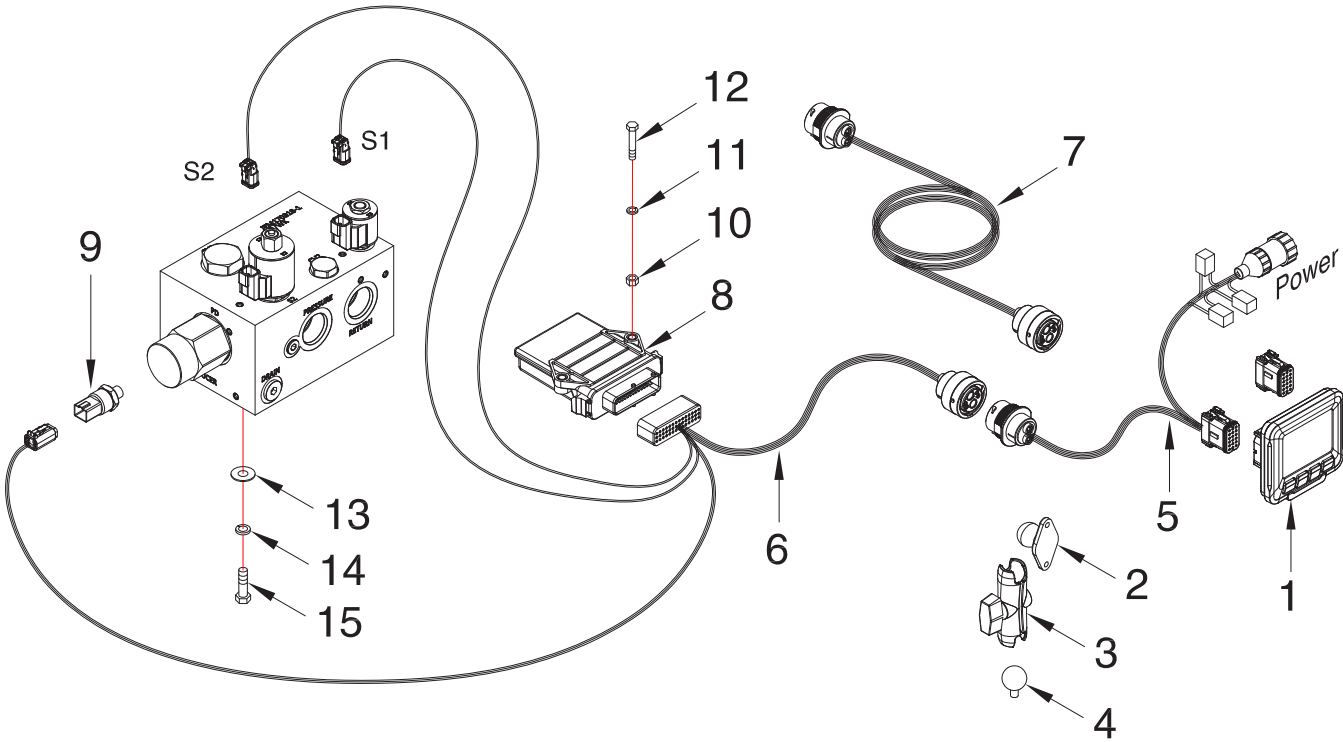
Imperial

Opener Hydraulics - 15 inch (380 mm) Spacing - 40 ft to 70 ft

Item	Part No.	Description	Qty
1	C64546	Cylinder	AsReq
2	C-4401	Cross - (4) 7/8-14 MJIC.....	6
3	F10384	Reducer - 7/8-14 MJIC x 9/16-18 MJIC.....	14
4	C-4393	Tee - 9/16-18 MJIC	AsReq
5	C-4403	Tee - (2) 9/16-18 MJIC x (1) 9/16-18 FJIC (MMF).....	8
6	C15348	Connector - 9/16-18 MJIC x 3/4-16 MORB	4
7	S29967	90 Elbow - 9/16-18 FJIC x 9/16-18 MJIC	10
8	F-3867	90 Elbow - 9/16-18 (#06) MJIC	2
9	K-5806	90 Elbow - 7/8-14 FJIC x 7/8-14 MJIC.....	2
10	C24585	90 Elbow - 7/8-14 MJIC x 3/4-16 MORB.....	2
11	C14840	Connector - 7/8-14 MJIC x 3/4-16 MORB	2
12	N47903	Connector - 7/8-14 (#10) MJIC x 1 1/16-12 (#12) MORB.....	4
13	S66243	Hyd Hose - 1/4 x 22 Lg w/9/16-18 FJIC - Bleed-Off Valve	4
14	S66755	Hyd Hose - 1/2 x 30 Lg - #10 7/8-14 FJIC Swivel Ends.....	1
15	S66758	Hyd Hose - 1/2 x 34 Lg - #10 7/8-14 FJIC Swivel Ends.....	4
16	S65670	Hyd Hose - 3/8 x 42 Lg - #6 9/16-18 FJIC	4
17	S65380	Hyd Hose - 3/8 x 45 Lg - #6 9/16-18 FJIC Ends.....	AsReq
18	S65437	Hyd Hose - 3/8 x 54 Lg - #6 9/16-18 FJIC Ends.....	2
19	S47799	Hyd Hose - 3/8 x 60 Lg - #6 9/16-18 FJIC - Outer Hinge Line.....	12
20	S65407	Hyd Hose - 3/8 x 72 Lg - #6 9/16-18 FJIC Ends - 40 ft	4
	S66436	Hyd Hose - 3/8 x 86 Lg - #6 9/16-18 FJIC Ends - 50 ft	4
	S66436	Hyd Hose - 3/8 x 86 Lg - #6 9/16-18 FJIC Ends - 60 ft	4
	S65407	Hyd Hose - 3/8 x 72 Lg - #6 9/16-18 FJIC Ends - 70 ft	4
21	S65397	Hyd Hose - 3/8 x 80 Lg - #6 9/16-18 FJIC Ends - 40 ft	4
	S66437	Hyd Hose - 3/8 x 100 Lg - #6 9/16-18 FJIC Ends - 50 ft	4
	S65407	Hyd Hose - 3/8 x 72 Lg - #6 9/16-18 FJIC Ends - 60 ft	4
	S66437	Hyd Hose - 3/8 x 100 Lg - #6 9/16-18 FJIC Ends - 70 ft	4
22	S65420	Hyd Hose - 3/8 x 126 Lg - #6 9/16-18 FJIC Ends	2
23	S66245	Hose Holder - Opener.....	AsReq
23A	S67170	Hose Holder - Opener - Low Profile	4
24	S66255	Hose Holder Loop - Outer Hinge Line.....	4
25	S65668	Hyd Hose - 3/4 x 120 Lg - #10 7/8-14 FJIC Ends	2
26	S58157	Hyd Hose - 3/4 x 330 Lg - #10 7/8-14 FJIC Ends	2
27	S64940	Manifold - Opener Control.....	1
28	N42880	Lock Valve - 2 Way Ball	3
28A	N42881	Handle - Valve	1
29	S65129	Valve Mounting Plate.....	1
30	S66754	Mount Plate - Ball Valve	2
31	S65157	Decal ISO - Openers Lock.....	1
32	N34443	Male Tip - 3/4-16 MORB.....	2
33	S29959	Tag - Hose ID - Depth Control - LOWER.....	1
34	S29958	Tag - Hose ID - Depth Control - RAISE	1
35	W-523	Lockwasher - 3/8 ... (Valve Block)	4
36	W-475	Hex Bolt - 3/8 x 1 Lg(Valve Block).....	4
37	H25628	U-Bolt - 1/2 x 6 x 9 3/8 Lg.....	2
38	N34319	U-Bolt - 1/4 x 1 1/2 x 2	4
39	W-521	Lockwasher - 1/4.....	8
40	W-512	Hex Nut - 1/4.....	8
41	W-525	Lockwasher - 1/2.....	4
42	W-516	Hex Nut - 1/2.....	4
43	K62977	Pressure Transducer.....	1
44	N29358	Connector - 9/16-18 (#06) MJIC x 9/16-18 (#06) MORB (1 per Opener)	AsReq
45	N19578	45 Elbow - 9/16-18 (#06) MJIC x 9/16-18 (#06) MORB (1 per Opener).....	AsReq
46	S66243	Hyd Hose - 1/4 x 22 Lg - #6 9/16-18 FJIC Ends (High Flex) (2 per Opener)	AsReq
47	W-475	Hex Bolt - 3/8 x 1 Lg - Outer Hinge Line	4
48	D-5279	Locknut - 3/8 Serrated - Outer Hinge Line	4
49	S-771	Hex Jam Nut - 1	2
50	S47973	Hyd Hose - 3/8 x 20 Lg - #6 9/16-18 FJIC	2
51	S42967	Hyd Hose - 3/8 x 30 Lg w/ #6 9/16-18 FJIC.....	4
52	W-538	Flatwasher - 7/16 ID x 1 OD x 14 GA ... (Valve Block)	4

Imperial

Pressure Control JEM - Pressure Control System

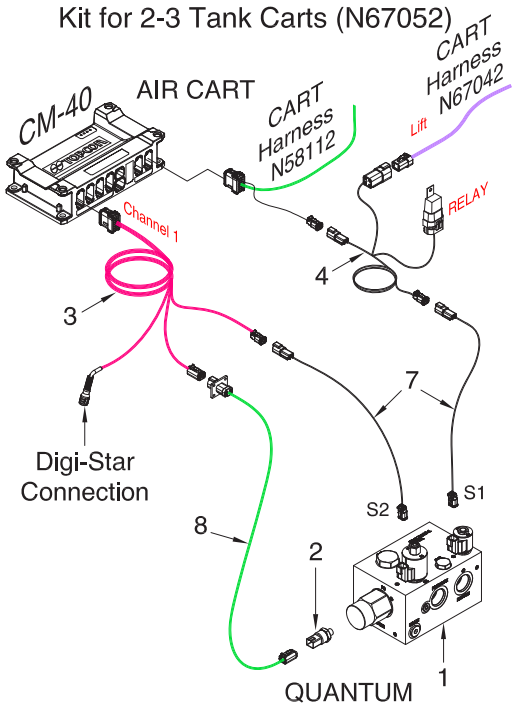


JEM - Pressure Control System

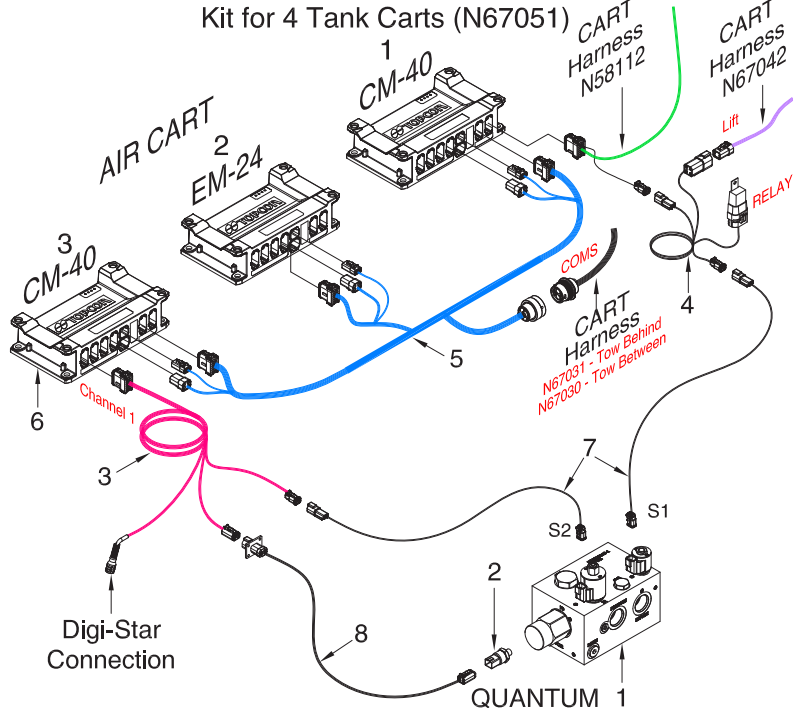
Item	Part No.	Description	Qty
1	N65145	CC Pilot Display - 3 1/2 Full Color.....	1
2	N65146	Ram Mount - 1 7/16 x 1 5/16.....	1
3	N65147	Ram Short Arm	1
4	N65148	Ram Ball - 1 Diameter.....	1
5	N65141	Harness - Tractor (1000545)	1
6	N65142	Harness - Implement (1000546)	1
7	N65149	Harness - Extension (Tow Between Carts) (1000626)	1
8	N65143	ESX-10Xp ECU.....	1
9	K62977	Pressure Transducer	1
10	W-512	Hex Nut - 1/4.....	2
11	W-521	Lockwasher - 1/4.....	2
12	C-1471	Hex Bolt - 1/4 x 1 3/4 Lg.....	2
13	W-538	Flatwasher - 7/16 ID x 1 OD x 14 GA.....	4
14	W-523	Lockwasher - 3/8.....	4
15	W-475	Hex Bolt - 3/8 x 1 Lg.....	4
	N65140	CC Pilot Display Kit - (Includes Items 1 to 4)	

Pressure Control Apollo - Lift and Pressure Control Kit

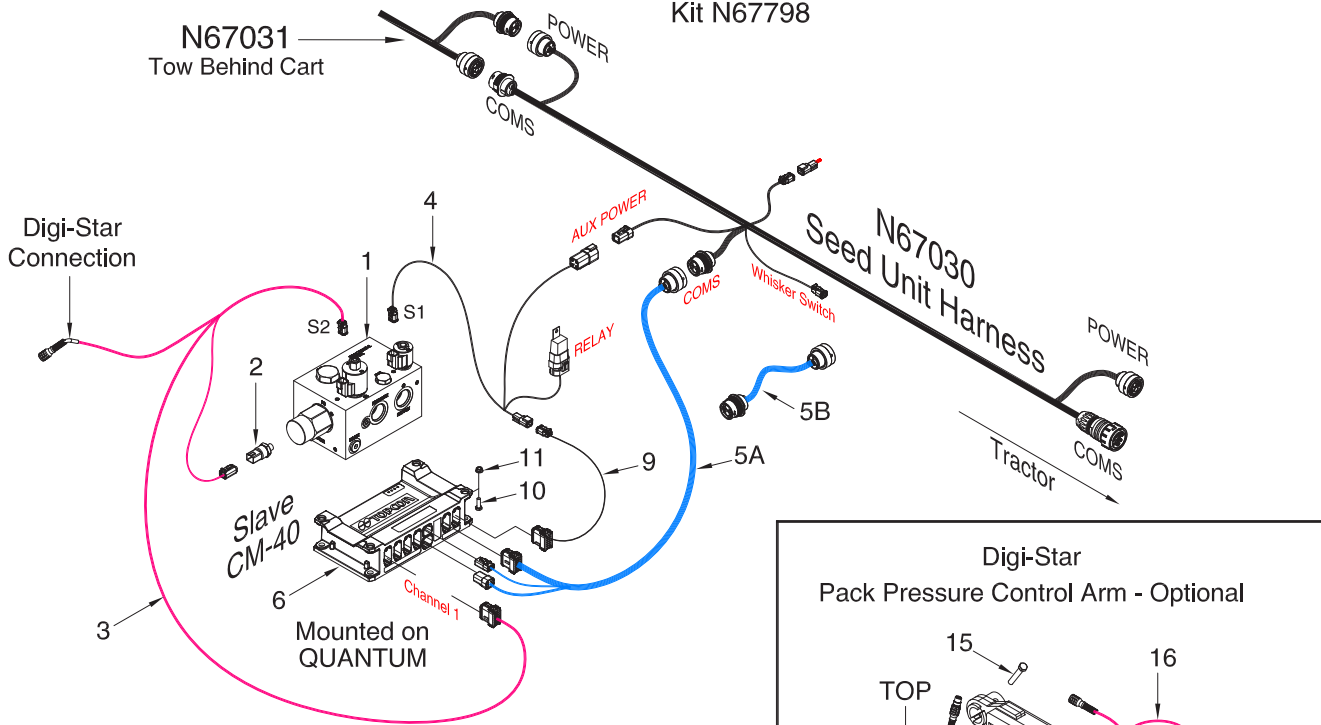
Kit for 2-3 Tank Carts (N67052)



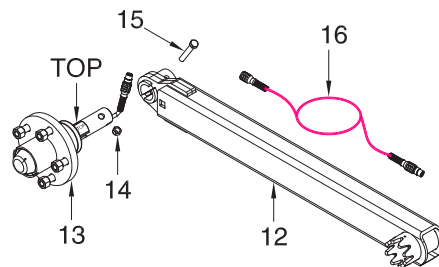
Kit for 4 Tank Carts (N67051)



Kit N67798



Digi-Star
Pack Pressure Control Arm - Optional



Apollo - Lift and Pressure Control Kit

Item	Part No.	Description	Qty
1	S64940	Manifold - Opener Control.....	1
2	K62977	Pressure Transducer	1
3	N67045	Harness - Pack Control (1026291-01)	1
4	N67046	Harness - Lift Control (1006258-01)	1
5	N67037	Harness - Triplex ECU Adapter (1005038-01).....	1
5A	N67038	Harness - Single ECU (1005036-01).....	1
5B	N68000	Harness Extension - 2m - (1028492-01) - Optional	
6	N55950	Apollo Master Module ECU - CM-40 - (AGA5339).....	1
7	N59010	Harness Extension - Work Switch - 5m - (AGA4468).....	2
8	N64671	Pressure Transducer Extension Harness - 7m - (1024230-01)	1
9	N68001	AUX Lift Lower Signal Adapter	1
10	W-187	Hex Bolt - 3/8 x 1 1/4 Lg - Bolts ECU to plate under manifold	4
11	D-5279	Locknut - 3/8 Serrated Flange.....	4
	N67052	Lift and Pressure Control Kit for 2-3 Tank Carts (Includes Items 3, 4, 7 and 8)	
	N67051	Lift and Pressure Control Kit for 4 Tank Carts (Includes Items 3, 4, 5, 6, 7 and 8)	
	N67798	Lift and Pressure Control Kit for 4 Tank Carts Tow Behind ONLY (Includes Items 3, 4, 5A, 6, 9, 10 and 11)	
		Pack Pressure Control Arm - Optional	
12	S66267	Packer Arm - Digi-Star	1
13	S67715	Axle Assembly - Digi-Star (Includes S66278 Spindle - Digi-Star)	1
14	M-3388	Lock Nut - 3/8 Unitorque	1
15	W-479	Hex Bolt - 3/8 x 2 1/4 Lg.....	1
16	N68002	Extension Cable - Optional	
	S67716	Pack Pressure Control Arm Assembly (Includes Items 12, 13, 14 and 15)	

Seal Kits

Cylinders are supplied by multiple suppliers

- It is necessary to have the identifying stamp found by the port on the butt end of the cylinder.

Wing Lift Cylinders

C66871 Seal Kit - Cylinder C65366 - with stamp **S**

C66872 Seal Kit - Cylinder C64930 - with stamp **S**

C66873 Seal Kit - Cylinder C64920 - with stamp **S**

C66874 Seal Kit - Cylinder C65366 - with stamp **T**

C66875 Seal Kit - Cylinder C64930 - with stamp **T**

C66876 Seal Kit - Cylinder C64920 - with stamp **T**

C60599 Seal Kit - Cylinder C65366 - with stamp **R**

C65379 Seal Kit - Cylinder C64930 - with stamp **R**

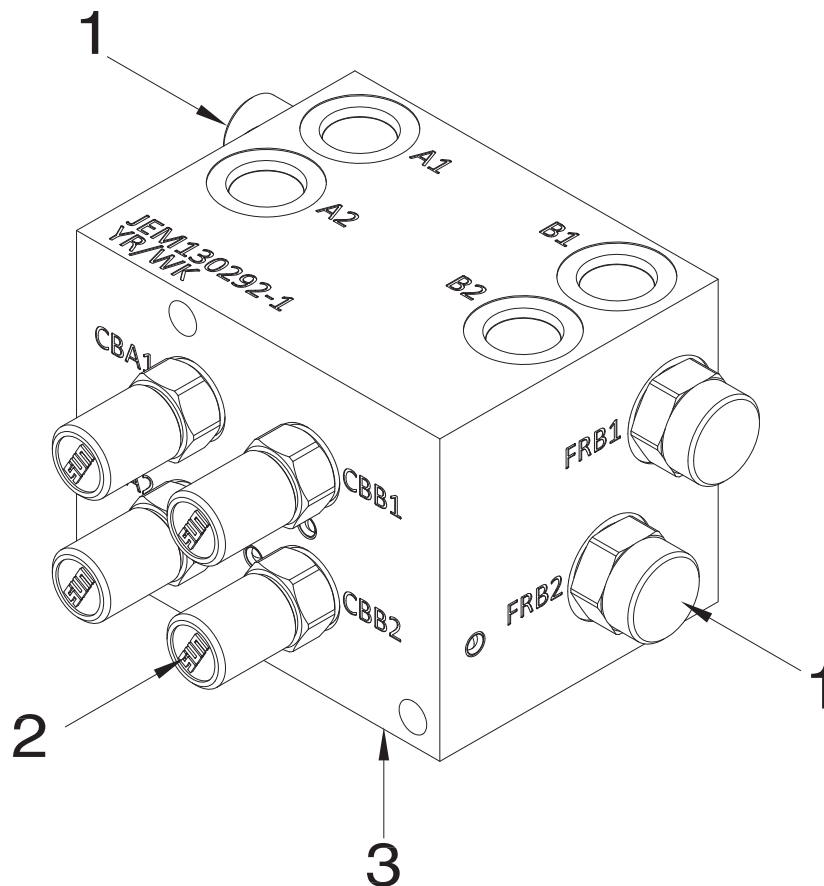
C65377 Seal Kit - Cylinder C64920 - with stamp **R**

Opener Cylinder

C51152 Seal Kit - Cylinder C64546 - with stamp **M**

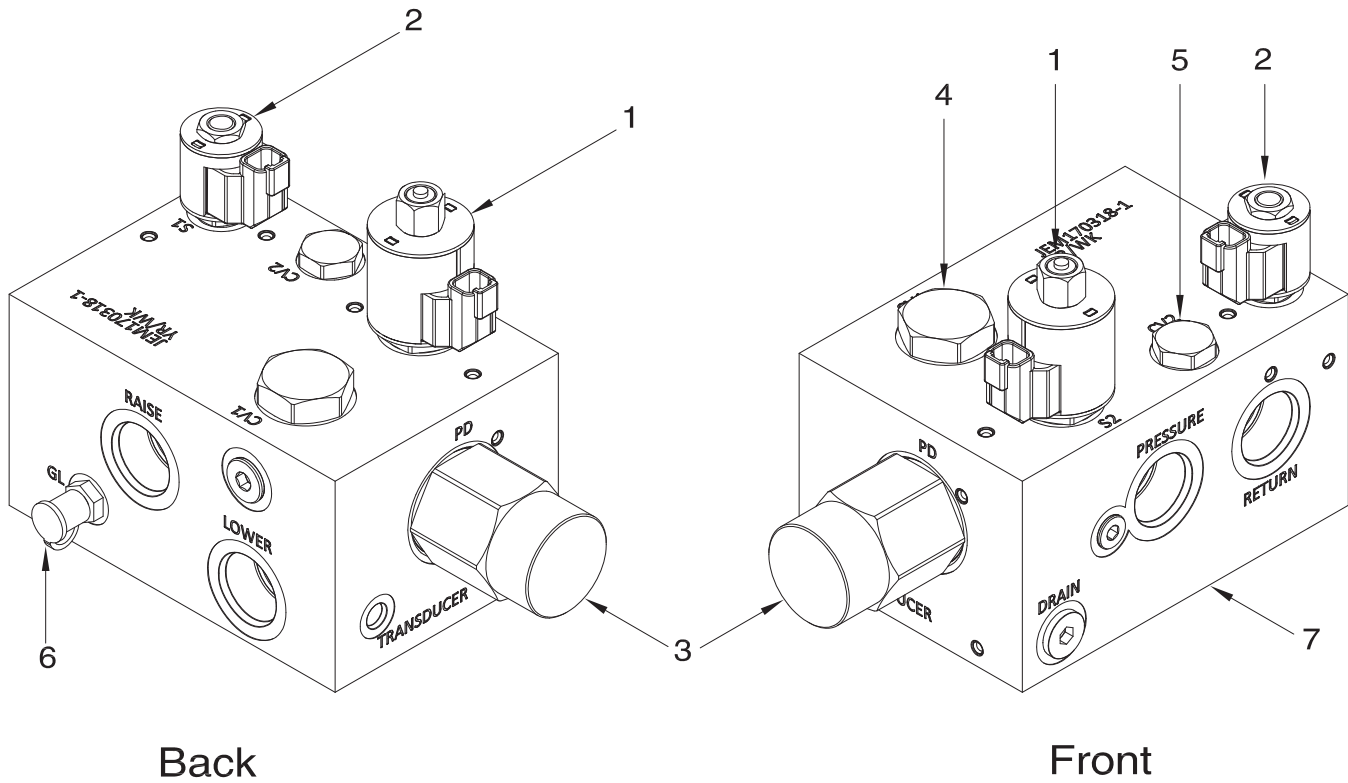
C44461 Seal Kit - Cylinder C64546 - with stamp **R**

Hydraulic Cylinders Wing Lift Valve Block



Item	Part No.	Description	Qty
1	C53847	Pressure Compensated Flow Control Cartridge - 5 gpm.....	4
2	C53848	Counterbalance Cartridge - 2700 psi	4
3	C53849	Counterbalance Winglift Manifold (Includes All Above Items)	

Hydraulic Cylinders Opener Valve Block



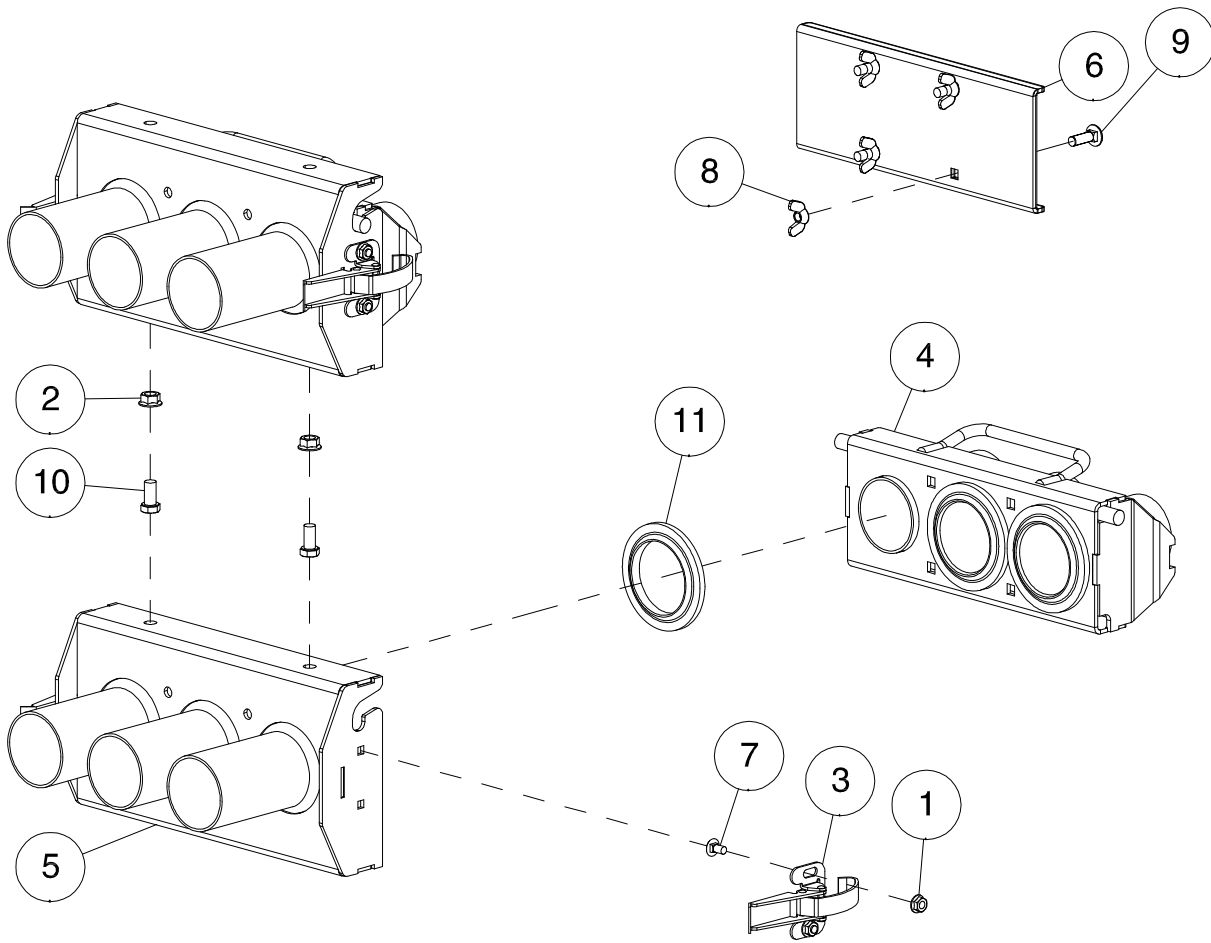
Item	Part No.	Description	Qty
1	S67316	Pressure Reducing/Relieving Proportional Valve.....	1
2	S67317	Solenoid Valve.....	1
3	S67318	Pilot 4-Way. Valve.....	1
4	S67319	Check Valve - 5 psi.....	1
5	S67320	Check Valve - 2 psi.....	1
6	N64583	Coupler - Test Port - 7/16-20 (#4) MORB.....	1
7	S64940	Manifold - Opener Control (Includes above Items).....	1

Section 5: Distribution

Section Contents

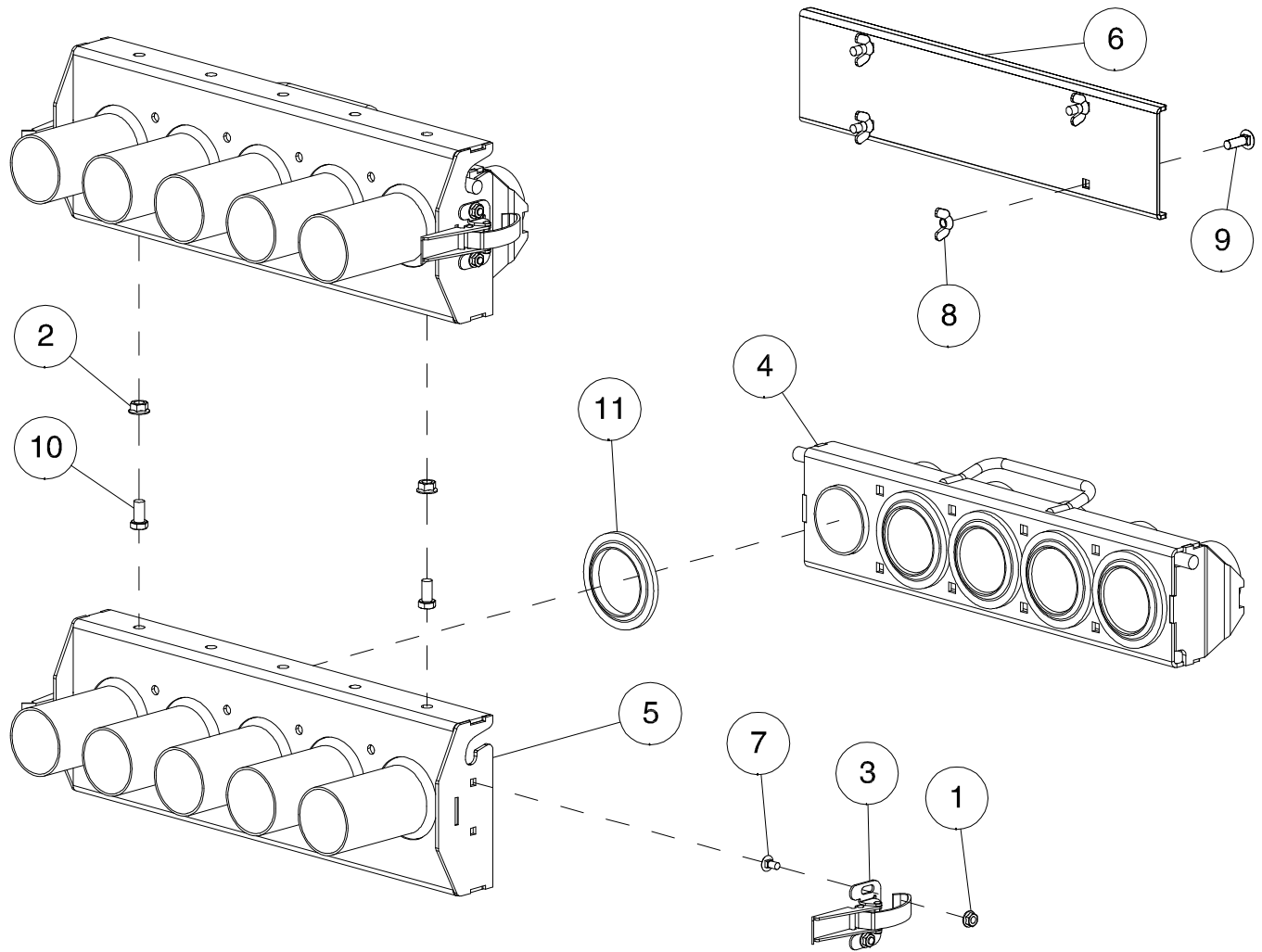
Quick Coupler	5-2
3 Outlet	5-2
5 Outlet	5-3
Divider Head Assembly	5-4
Divider Head Mounting Stands	5-6
Single Shoot - Tow Behind.....	5-8
40 ft - 12m - 5 primaries - 12 and 15 inch (300 - 380mm) Spacing	5-8
40 ft - 12m - 6 primaries - 10 inch (250mm) Spacing	5-10
50 ft - 15m - 6 primaries - 15 inch (380mm) Spacing	5-12
50 ft - 15m - 7 primaries - 10 and 12 inch (250 - 300mm) Spacing	5-14
60 ft - 18m - 8 primaries - 10, 12 and 15 inch (250 - 300 - 380mm) Spacing	5-16
70 ft - 21m - 9 primaries - 10, 12 and 15 inch (250 - 300 - 380mm) Spacing	5-18
Single Shoot - Tow Between.....	5-20
40 ft - 12m - 5 primaries - 12 and 15 inch (300 - 380mm) Spacing	5-20
40 ft - 12m - 6 primaries - 10 inch (250mm) Spacing	5-22
50 ft - 15m - 6 primaries - 15 inch (380mm) Spacing	5-24
50 ft - 15m - 7 primaries - 10 and 12 inch (250 - 300mm) Spacing	5-26
60 ft - 18m - 8 primaries - 10, 12 and 15 inch (250 - 300 - 380mm) Spacing	5-28
70 ft - 21m - 9 primaries - 10, 12 and 15 inch (250 - 300 - 380mm) Spacing	5-30
Dual Shoot - Tow Behind	5-32
40 ft - 12m - 5 primaries - 12 and 15 inch (300 - 380mm) Spacing	5-32
40 ft - 12m - 6 primaries - 10 inch (250mm) Spacing	5-34
50 ft - 15m - 6 primaries - 15 inch (380mm) Spacing	5-36
50 ft - 15m - 7 primaries - 10 and 12 inch (250 - 300mm) Spacing	5-38
60 ft - 18m - 8 primaries - 10, 12 and 15 inch (250 - 300 - 380mm) Spacing	5-40
70 ft - 21m - 9 primaries - 10, 12 and 15 inch (250 - 300 - 380mm) Spacing	5-42
Dual Shoot - Tow Between	5-44
40 ft - 12m - 5 primaries - 12 and 15 inch (300 - 380mm) Spacing	5-44
40 ft - 12m - 6 primaries - 10 inch (250mm) Spacing	5-46
50 ft - 15m - 6 primaries - 15 inch (380mm) Spacing	5-48
50 ft - 15m - 7 primaries - 10 and 12 inch (250 - 300mm) Spacing	5-50
60 ft - 18m - 8 primaries - 10, 12 and 15 inch (250 - 300 - 380mm) Spacing	5-52
70 ft - 21m - 9 primaries - 10, 12 and 15 inch (250 - 300 - 380mm) Spacing	5-54

Quick Coupler 3 Outlet



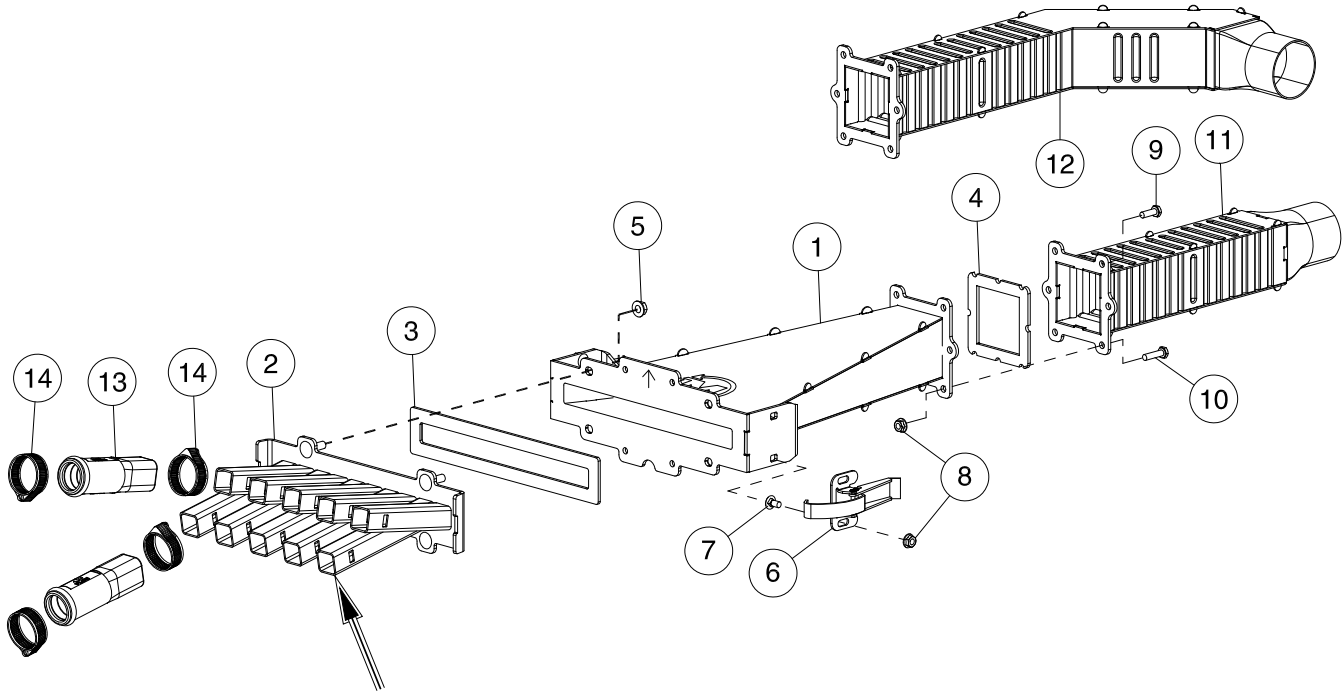
Item	Part No.	Description	Qty
1	D-5277	Flange Lock Nut - 1/4 Serrated	8
2	D-5279	Flange Lock Nut - 3/8 Serrated	2
3	N42213	Latch	4
4	N51983	Quick Coupler - 3 Run - Cart - Contains Item 11	2
5	N53200	Quick Coupler - 3 Run - Drill	2
6	N53207	Cover Plate - 3 Run.....	2
7	N53215	Carriage Bolt - 1/4 x 1/2 Lg	8
8	S-747	Wing Nut - 5/16	8
9	S33420	Carriage Bolt - 5/16 x 1 Lg	8
10	W-867	Hex Bolt - 3/8 x 3/4 Lg.....	2
11	N40735	Washer Seal.....	6
	N16170	Clear Silicon 305ml - used to assemble 11 to 4	AsReq

Quick Coupler 5 Outlet



Item	Part No.	Description	Qty
1	D-5277	Flange Lock Nut - 1/4 Serrated	8
2	D-5279	Flange Lock Nut - 3/8 Serrated	2
3	N42213	Latch	4
4	N51955	Quick Coupler - 5 Run - Cart - Contains Item 11	2
5	N51960	Quick Coupler - 5 Run - Drill	2
6	N53209	Cover Plate - 5 Run.....	2
7	N53215	Carriage Bolt - 1/4 x 1/2 Lg.....	8
8	S-747	Wing Nut - 5/16	8
9	S33420	Carriage Bolt - 5/16 x 1 Lg	8
10	W-867	Hex Bolt - 3/8 x 3/4 Lg.....	2
11	N40735	Washer Seal.....	6
	N16170	Clear Silicon 305ml - used to assemble 11 to 4	AsReq

Divider Head Assembly

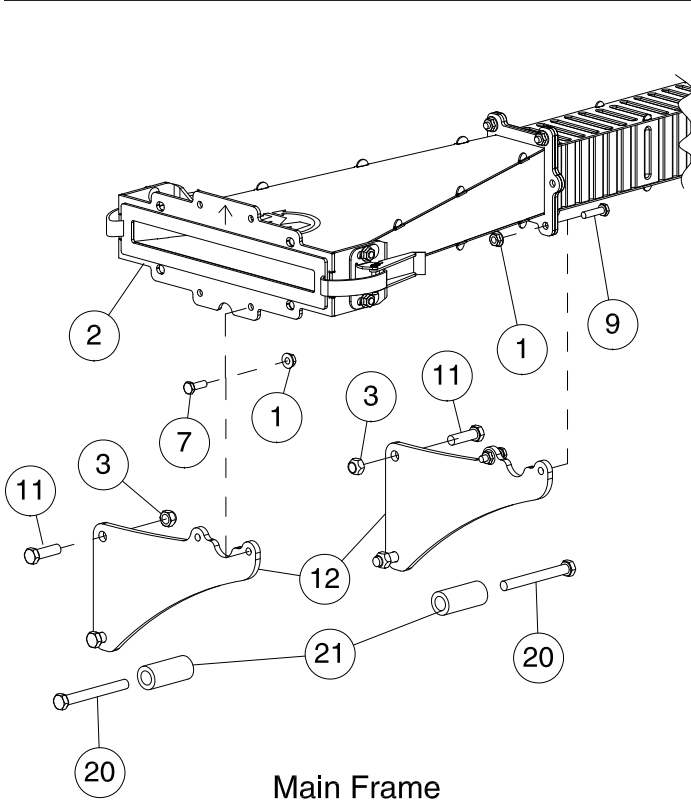


Item	Part No.	Description	Qty
SIX OUTLET DIVIDER HEAD			
1	N66556	6 Outlet Divider Head - Main Body	1
2	N66516	6 Outlet Flange	1
3	N66176	Seal - 6 Outlet	1
4	N66175	Diffuser Seal	1
5	D-5278	Flange Lock Nut - 5/16	4
6	N42213	Over-Center Catch	2
7	N53215	Carriage Bolt - 1/4 x 1/2 Lg	4
8	D-5277	Flange Lock Nut - 1/4 Serrated	4
	N66506	6 Outlet Divider Head Assembly (Includes All Above Items)	
13	N65131	Secondary Hose Finger Adapter	6
14	N11470	Hose Clamp	12
SEVEN OUTLET DIVIDER HEAD			
1	N66557	7 Outlet Divider Head - Main Body	1
2	N66517	7 Outlet Flange	1
3	N66177	Seal - 7 Outlet	1
4	N66175	Diffuser Seal	1
5	D-5278	Flange Lock Nut - 5/16	4
3	N42213	Over-Center Catch	2
4	N53215	Carriage Bolt - 1/4 x 1/2 Lg	4
6	D-5277	Flange Lock Nut - 1/4 Serrated	4
	N66507	Divider Head Assembly - 7 Outlet (Includes All Above Items)	
13	N65131	Secondary Hose Finger Adapter	7
14	N11470	Hose Clamp	14

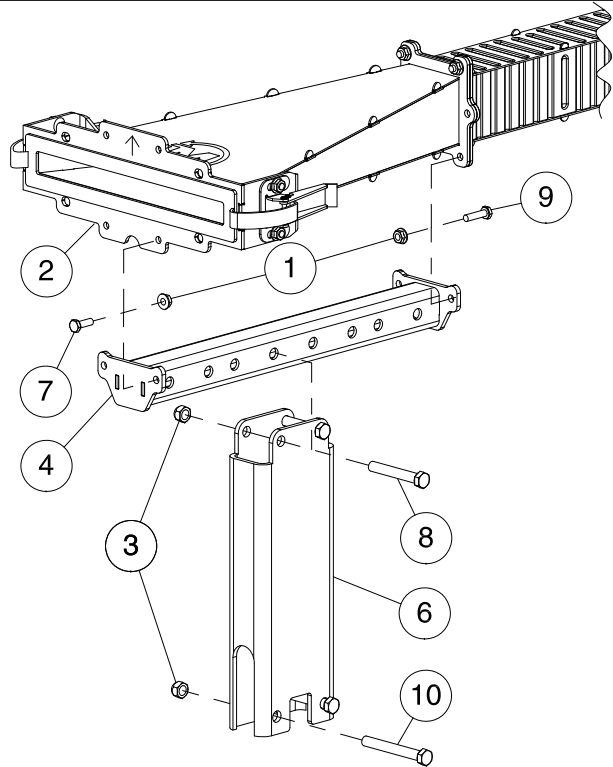
Distribution - Quantum

Item	Part No.	Description	Qty
EIGHT OUTLET DIVIDER HEAD			
1	N66558	8 Outlet Divider Head - Main Body	1
2	N66518	8 Outlet Flange	1
3	N66178	Seal - 8 Outlet	1
4	N66175	Diffuser Seal	1
5	D-5278	Flange Lock Nut - 5/16.....	4
6	N42213	Over-Center Catch	2
7	N53215	Carriage Bolt - 1/4 x 1/2 Lg	4
8	D-5277	Flange Lock Nut - 1/4 Serrated	4
	N66508	Divider Head Assembly - 8 Outlet (Includes All Above Items)	
13	N65131	Secondary Hose Finger Adapter	8
14	N11470	Hose Clamp	16
NINE OUTLET DIVIDER HEAD			
1	N66559	9 Outlet Divider Head - Main Body	1
2	N66519	9 Outlet Flange	1
3	N66179	Seal - 9 Outlet	1
4	N66175	Diffuser Seal	1
5	D-5278	Flange Lock Nut - 5/16.....	4
6	N42213	Over-Center Catch	2
7	N53215	Carriage Bolt - 1/4 x 1/2 Lg	4
8	D-5277	Flange Lock Nut - 1/4 Serrated	4
	N66509	Divider Head Assembly - 9 Outlet (Includes All Above Items)	
13	N65131	Secondary Hose Finger Adapter	9
14	N11470	Hose Clamp	18
TEN OUTLET DIVIDER HEAD			
1	N66560	10 Outlet Divider Head - Main Body.....	1
2	N66520	10 Outlet Flange.....	1
3	N66180	Seal - 10 Outlet (Not Shown)	1
4	N66175	Diffuser Seal	1
5	D-5278	Flange Lock Nut - 5/16.....	4
6	N42213	Over-Center Catch	2
7	N53215	Carriage Bolt - 1/4 x 1/2 Lg	4
8	D-5277	Flange Lock Nut - 1/4 Serrated	4
	N66510	Divider Head Assembly - 10 Outlet (Includes All Above Items)	
13	N65131	Secondary Hose Finger Adapter	10
14	N11470	Hose Clamp	20
DIFFUSER PIPE			
8	D-5277	Flange Lock Nut - 1/4 Serrated	4
9	W-469	Hex Head - 1/4 x 3/4 Lg	2
10	W-1552	Hex Bolt - 1/4 x 1 Lg.....	2
11	N66662	Diffuser - Straight	1
12	N66672	Diffuser - 90 Deg Elbow	1
15	R480034	Secondary Hose - .929 ID x 1.169 OD/ft (75 ft roll) Not Shown	

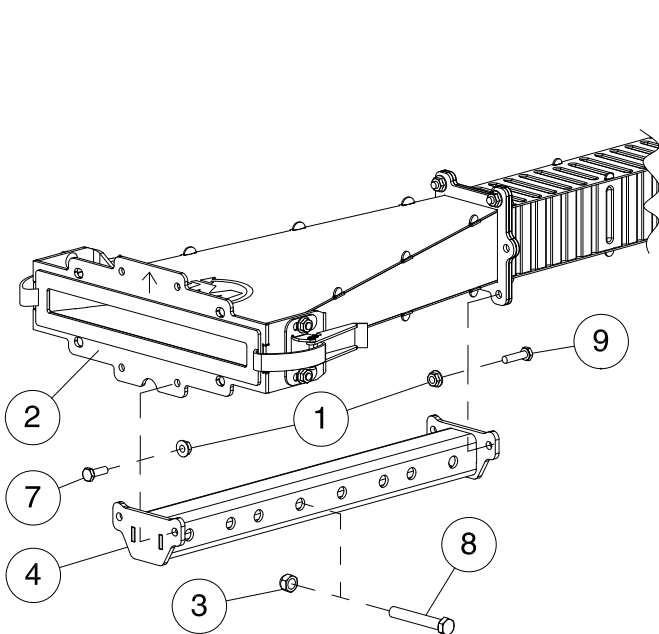
Divider Head Mounting Stands



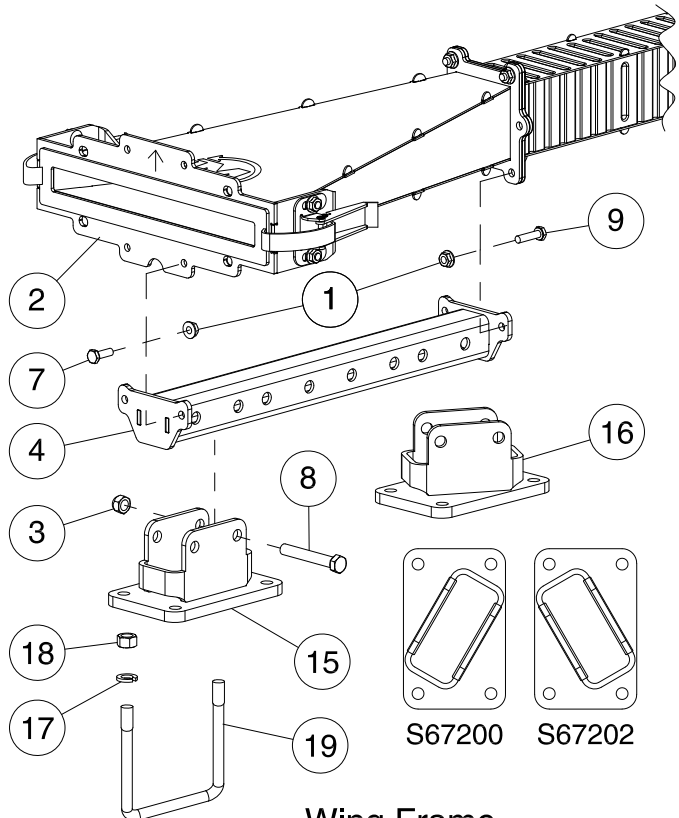
**Main Frame
MOUNTING OPTION 1**



**Main Frame
MOUNTING OPTION 2**

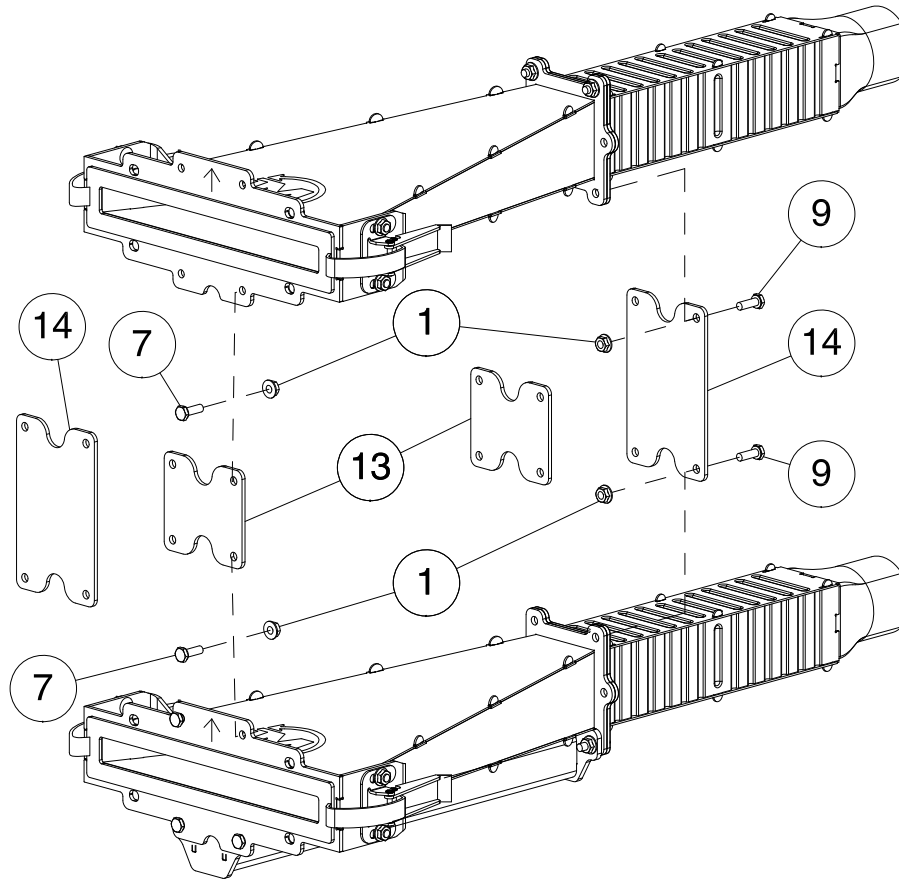


**Wing Frame
MOUNTING OPTION 3**



**Wing Frame
MOUNTING OPTION 4**

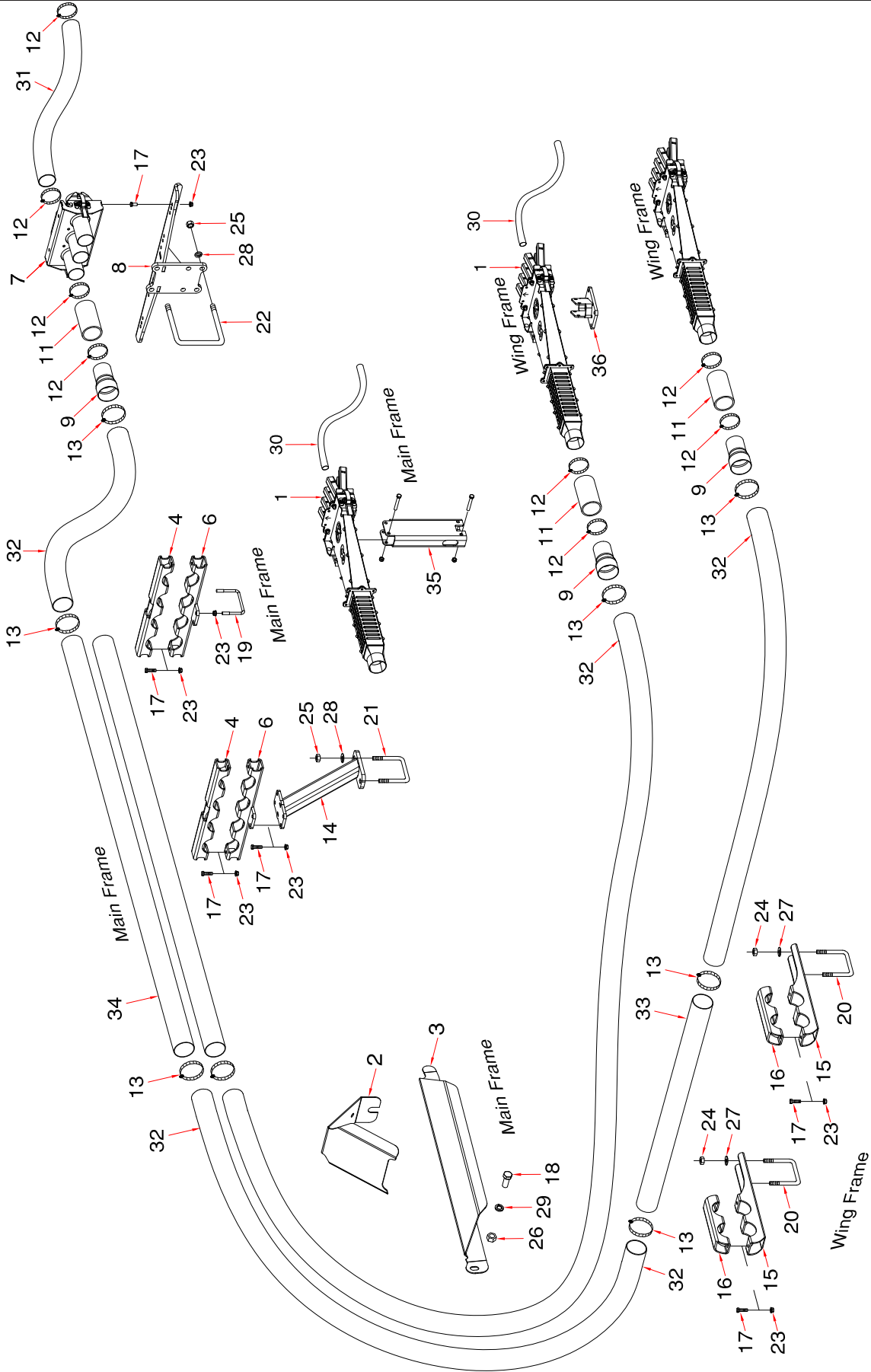
Divider Head Mounting Stands



MOUNTING OPTION DUAL SHOOT

Item	Part No.	Description	Qty
1	D-5277	Flange Lock Nut - 1/4 Serrated	10
2	*****	Divider Head and Diffuser Tube Assembly - See next page	1
3	M-3388	Locknut - 3/8 Unitorque.....	4
4	N67135	Head Bracket	1
6	S65390	Divider Head Pedestal - Main Frame	1
7	W-469	Hex Head - 1/4 x 3/4 Lg	4
8	W-480	Hex Bolt - 3/8 x 2 1/2 Lg.....	2
9	W-1552	Hex Bolt - 1/4 x 1 Lg.....	2
10	W-1854	Hex Bolt - 3/8 x 3 Lg.....	2
11	W-187	Hex Bolt - 3/8 x 1 1/4 Lg.....	4
12	S65382	Head Mounting Plate - Main Frame	2
13	N66140	Dual Head Mounting Plate Low Profile.....	2
14	N66141	Dual Head Mounting Plate High Profile (Optional)	2
15	N67640	Head Mounting Bracket - Straight.....	1
16	N67200	Head Mounting Bracket - 30 Degree - Left.....	1
16A	N67202	Head Mounting Bracket - 30 Degree - Right.....	1
17	W-523	Lockwasher - 3/8.....	4
18	W-514	Hex Nut - 3/8	4
19	N19723	U-Bolt - 3/8 x 4 1/16 x 6 15/16 UL	2
20	S-1299	Hex Bolt - 3/8 x 4 1/2 Lg - 60 ft	4
21	N50842	Bushings - .385 ID x 5/8 OD x 3 1/4 Lg - 60 ft	4

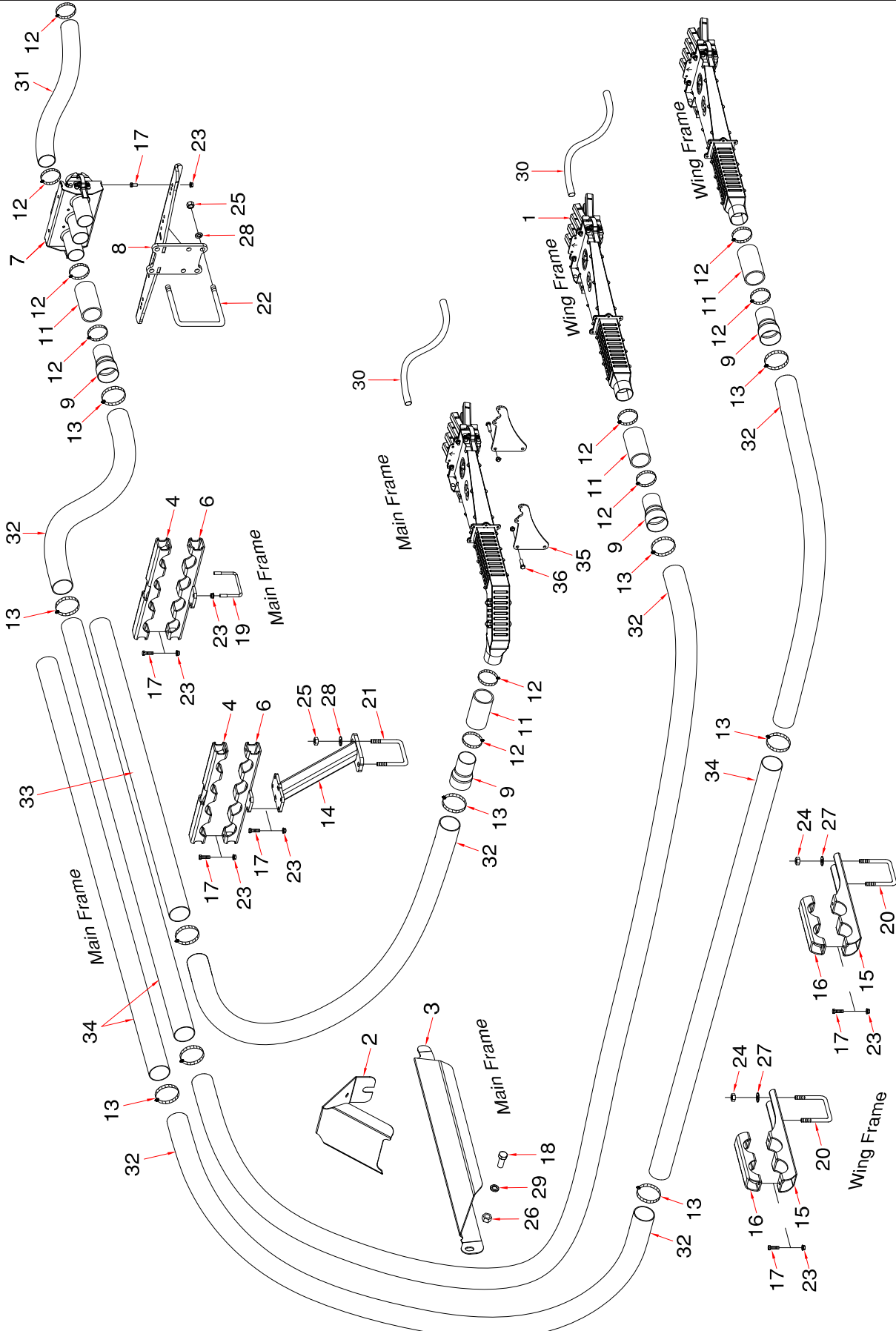
Single Shoot - Tow Behind 40 ft - 12m - 5 primaries - 12 and 15 inch (300 - 380mm) Spacing



Single Shoot Tow Behind - 40 ft - 12m - 5 primaries

Item	Part No.	Description	Qty
		For 12 and 15 inch - 300mm and 380mm spacing	
1	*****	Divider Head Assembly (Refer to Divider Head Assembly for details)	
2	S67250	Primary Hose Deflector	2
3	S66430	Primary Hose Hose Suport - Main - Left side (shown)	1
	S66435	Primary Hose Hose Suport - Main - Right side	1
4	N66321	Distribution Pipe Clamp - Main	4
5	*****		
6	N66335	Distribution Pipe Clamp Bracket - Main	4
7	*****	Quick Coupler - 3 Run (Refer to Quick Coupler Assembly for details)	2
8	N53203	Coupler Tower - Behind	1
9	N64095	Primary Hose Adapter	10
10	*****		
11	N19428	Hose - 2.54 ID x 2.79 OD x 5 Lg.....	10
12	N11905	Hose Clamp - 2 1/2 - HC5-44 (Air Cart side uses 10)	30
13	N64099	Hose Clamp - 3 - SSTCH5-400	22
14	N66325	Distribution Pipe Stand - Main	2
15	N66339	Distribution Pipe Support Bracket - 2 pipe - Wing	4
16	N66359	Distribution Pipe Clamp - 2 pipe - Wing	4
17	W-187	Hex Bolt - 3/8 x 1 1/4 Lg.....	24
18	BW-10	Hex Bolt - 3/4 x 1 3/4 Lg.....	2
19	D-4932	U-Bolt - 3/8 x 4 1/8 x 3 UL.....	4
20	C-3932	U-Bolt - 1/2 x 4 x 7 1/4 UL.....	4
21	S39649	U-Bolt - 5/8 x 4 x 7 3/4 UL.....	2
22	F-4642	U-Bolt - 5/8 x 6 x 5 1/2 UL.....	2
23	S27987	Locknut - 3/8 Serrated.....	32
24	W-516	Nut - 1/2	8
25	W-517	Nut - 5/8	8
26	W-518	Nut - 3/4	2
27	W-525	Lockwasher - 1/2.....	8
28	W-526	Lockwasher - 5/8.....	8
29	W-527	Lockwasher - 3/4.....	2
30	R480034	Hose - .929 ID x 1.169 OD/ft (75 ft roll) . . .12"SP-450 ft . . .15"SP-375 ft	
31	R480055	Hose - 2 1/2 ID/ft Goodyear (100 ft rolls) (Air Cart side of couplers)	100
32	R480060	Hose - 3 ID/ft (100 ft rolls)	100
33	N66396	Primary Pipe SS - 3 x 48 Lg.....	2
34	N64094	Primary Pipe SS - 3 x 96 Lg.....	4
35	S65390	Divider Head Pedestal - Main Frame	1
36	N67202	Head Mounting Bracket - 30 Degree - Right (shown)	1
36A	N67200	Head Mounting Bracket - 30 Degree - Left.....	1

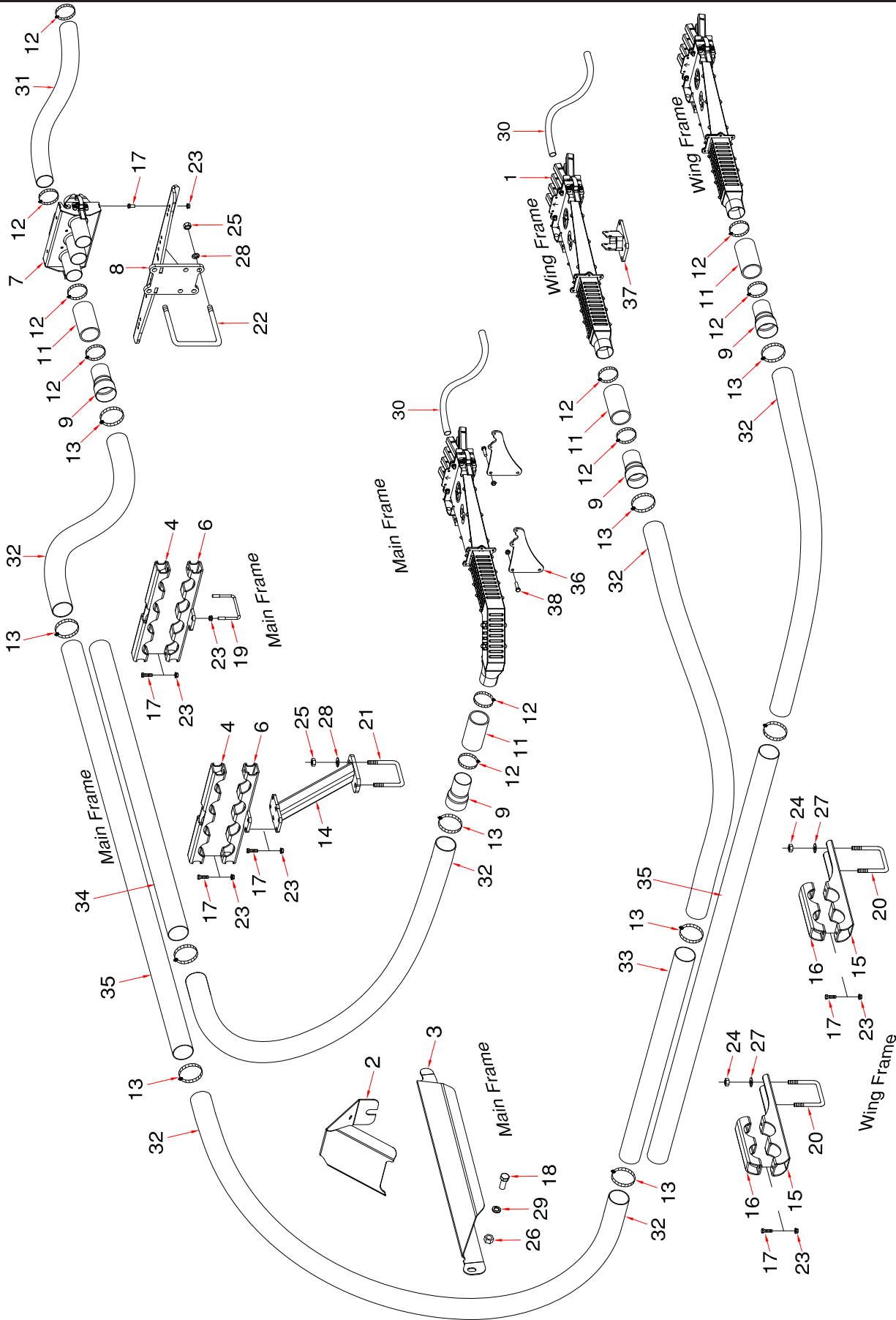
Single Shoot - Tow Behind 40 ft - 12m - 6 primaries - 10 inch (250mm) Spacing



Single Shoot Tow Behind - 40 ft -12m - 6 primaries

Item	Part No.	Description	Qty
		For 10 inch - 250mm spacing	
1	*****	Divider Head Assembly (Refer to Divider Head Assembly for details)	
2	S67250	Primary Hose Deflector	2
3	S66430	Primary Hose Hose Suport - Main - Left side (shown)	1
	S66435	Primary Hose Hose Suport - Main - Right side	1
4	N66321	Distribution Pipe Clamp - Main	4
5	*****		
6	N66335	Distribution Pipe Clamp Bracket - Main	4
7	*****	Quick Coupler - 3 Run (Refer to Quick Coupler Assembly for details)	2
8	N53203	Coupler Tower - Behind	1
9	N64095	Primary Hose Adapter	12
10	*****		
11	N19428	Hose - 2.54 ID x 2.79 OD x 5 Lg.....	12
12	N11905	Hose Clamp - 2 1/2 - HC5-44 (Air Cart side uses 12)	36
13	N64099	Hose Clamp - 3 - SSTCH5-400	28
14	N66325	Distribution Pipe Stand - Main	2
15	N66339	Distribution Pipe Support Bracket - 2 pipe - Wing	4
16	N66359	Distribution Pipe Clamp - 2 pipe - Wing	4
17	W-187	Hex Bolt - 3/8 x 1 1/4 Lg.....	24
18	BW-10	Hex Bolt - 3/4 x 1 3/4 Lg.....	2
19	D-4932	U-Bolt - 3/8 x 4 1/8 x 3 UL.....	4
20	C-3932	U-Bolt - 1/2 x 4 x 7 1/4 UL.....	4
21	S39649	U-Bolt - 5/8 x 4 x 7 3/4 UL.....	2
22	F-4642	U-Bolt - 5/8 x 6 x 5 1/2 UL.....	2
23	S27987	Locknut - 3/8 Serrated.....	32
24	W-516	Nut - 1/2	8
25	W-517	Nut - 5/8	8
26	W-518	Nut - 3/4	2
27	W-525	Lockwasher - 1/2.....	8
28	W-526	Lockwasher - 5/8.....	8
29	W-527	Lockwasher - 3/4.....	2
30	R480034	Hose - .929 ID x 1.169 OD/ft (75 ft roll)	600
31	R480055	Hose - 2 1/2 ID/ft Goodyear (100 ft rolls) (Air Cart side of couplers)	125
32	R480060	Hose - 3 ID/ft (100 ft rolls)	100
33	N64092	Primary Pipe SS - 3 x 72 Lg.....	2
34	N64094	Primary Pipe SS - 3 x 96 Lg.....	6
35	S65382	Head Mounting Plate - Main	4
36	W-187	Hex Bolt - 3/8 x 1 1/4 Lg.....	8

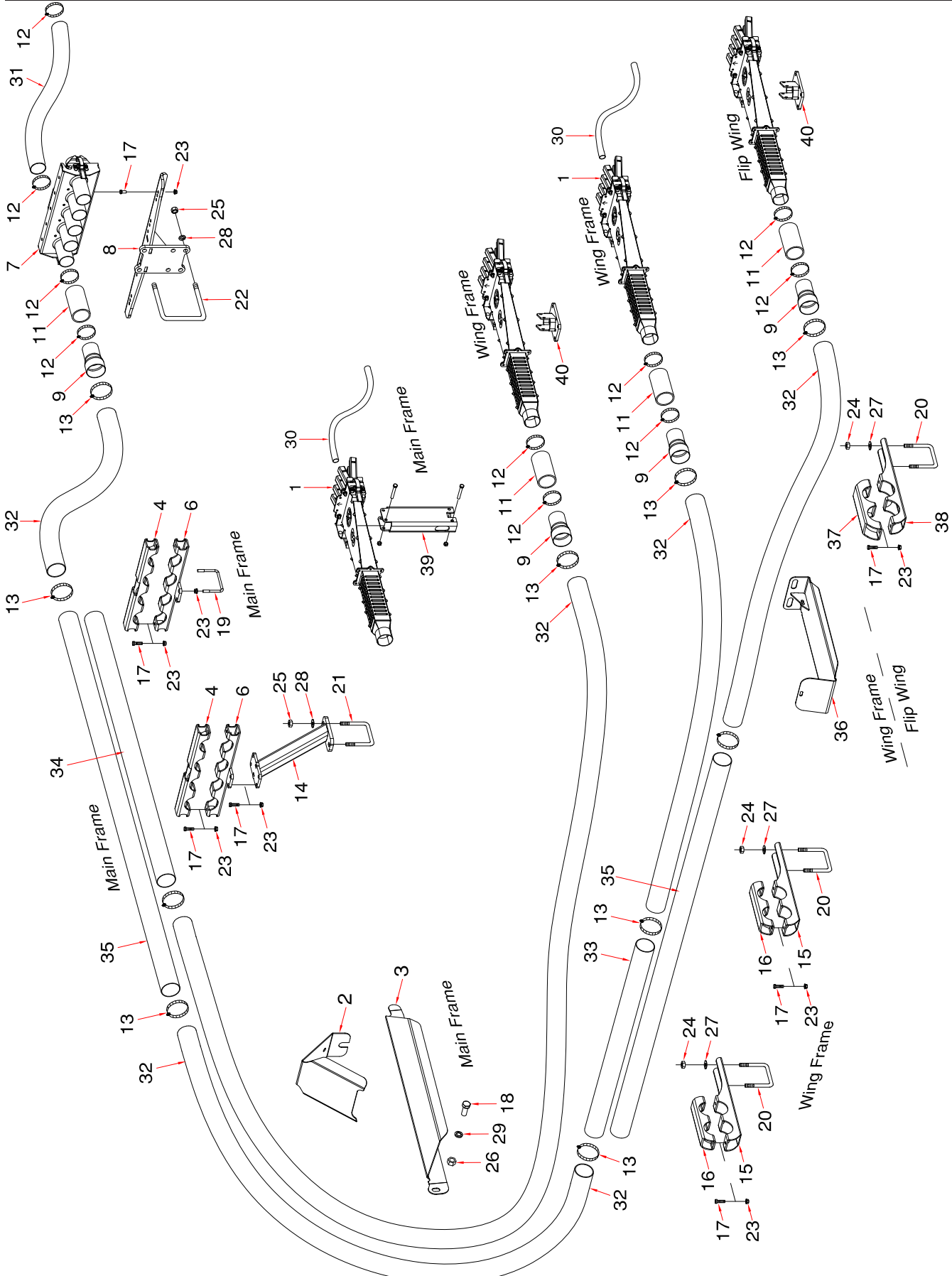
Single Shoot - Tow Behind 50 ft - 15m - 6 primaries - 15 inch (380mm) Spacing



Single Shoot Tow Behind - 50 ft - 15m - 6 primaries

Item	Part No.	Description	Qty
		For 15 inch - 380mm spacing	
1	*****	Divider Head Assembly (Refer to Divider Head Assembly for details)	
2	S67250	Primary Hose Deflector	2
3	S66430	Primary Hose Hose Suport - Main - Left side (shown)	1
	S66435	Primary Hose Hose Suport - Main - Right side	1
4	N66321	Distribution Pipe Clamp - Main	4
5	*****		
6	N66335	Distribution Pipe Clamp Bracket - Main	4
7	*****	Quick Coupler - 3 Run (Refer to Quick Coupler Assembly for details)	2
8	N53203	Coupler Tower - Behind	1
9	N64095	Primary Hose Adapter	12
10	*****		
11	N19428	Hose - 2.54 ID x 2.79 OD x 5 Lg.....	12
12	N11905	Hose Clamp - 2 1/2 - HC5-44 (Air Cart side uses 12)	36
13	N64099	Hose Clamp - 3 - SSTCH5-400	32
14	N66325	Distribution Pipe Stand - Main	2
15	N66339	Distribution Pipe Support Bracket - 2 pipe - Wing	4
16	N66359	Distribution Pipe Clamp - 2 pipe - Wing	4
17	W-187	Hex Bolt - 3/8 x 1 1/4 Lg.....	24
18	BW-10	Hex Bolt - 3/4 x 1 3/4 Lg.....	2
19	D-4932	U-Bolt - 3/8 x 4 1/8 x 3 UL.....	4
20	C-3932	U-Bolt - 1/2 x 4 x 7 1/4 UL.....	4
21	S39649	U-Bolt - 5/8 x 4 x 7 3/4 UL.....	2
22	F-4642	U-Bolt - 5/8 x 6 x 5 1/2 UL.....	2
23	S27987	Locknut - 3/8 Serrated.....	32
24	W-516	Nut - 1/2	8
25	W-517	Nut - 5/8	8
26	W-518	Nut - 3/4	2
27	W-525	Lockwasher - 1/2.....	8
28	W-526	Lockwasher - 5/8.....	8
29	W-527	Lockwasher - 3/4.....	2
30	R480034	Hose - .929 ID x 1.169 OD/ft (75 ft roll)	450
31	R480055	Hose - 2 1/2 ID/ft Goodyear (100 ft rolls) (Air Cart side of couplers)	125
32	R480060	Hose - 3 ID/ft (100 ft rolls)	100
33	N66396	Primary Pipe SS - 3 x 48 Lg.....	2
34	N64092	Primary Pipe SS - 3 x 72 Lg.....	2
35	N64094	Primary Pipe SS - 3 x 96 Lg.....	6
36	S65382	Head Mounting Plate - Main	4
37	N67202	Head Mounting Bracket - 30 Degree - Right (shown)	1
37A	N67200	Head Mounting Bracket - 30 Degree - Left.....	1
38	W-187	Hex Bolt - 3/8 x 1 1/4 Lg.....	8

Single Shoot - Tow Behind 50 ft - 15m - 7 primaries - 10 and 12 inch (250 - 300mm) Spacing

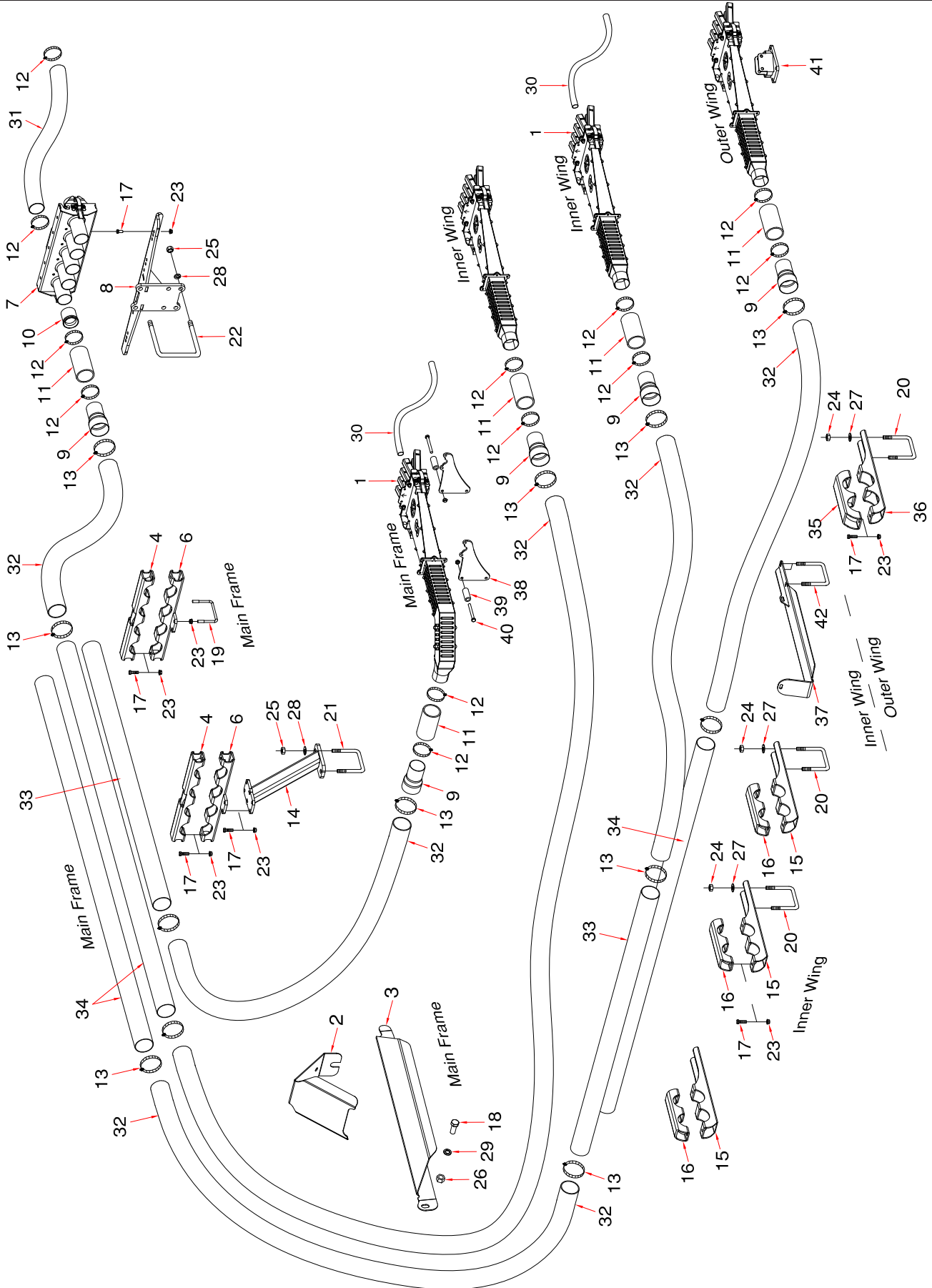


Single Shoot Tow Behind - 50 ft 7 primaries

Item	Part No.	Description	Qty
		For 10 and 12 inch - 250mm and 300mm spacing	
1	*****	Divider Head Assembly (Refer to Divider Head Assembly for details)	
2	S67250	Primary Hose Deflector	2
3	S66430	Primary Hose Hose Suport - Main - Left side (shown)	1
	S66435	Primary Hose Hose Suport - Main - Right side	1
4	N66321	Distribution Pipe Clamp - Main	4
5	*****		
6	N66335	Distribution Pipe Clamp Bracket - Main	4
7	*****	Quick Coupler - 5 Run (Refer to Quick Coupler Assembly for details)	2
8	N53203	Coupler Tower - Behind	1
9	N64095	Primary Hose Adapter	14
10	*****		
11	N19428	Hose - 2.54 ID x 2.79 OD x 5 Lg.....	14
12	N11905	Hose Clamp - 2 1/2 - HC5-44 (Air Cart side uses 14)	42
13	N64099	Hose Clamp - 3 - SSTCH5-400	34
14	N66325	Distribution Pipe Stand - Main	2
15	N66339	Distribution Pipe Support Bracket - 2 pipe - Wing	4
16	N66359	Distribution Pipe Clamp - 2 pipe - Wing	4
17	W-187	Hex Bolt - 3/8 x 1 1/4 Lg.....	28
18	BW-10	Hex Bolt - 3/4 x 1 3/4 Lg.....	2
19	D-4932	U-Bolt - 3/8 x 4 1/8 x 3 UL.....	4
20	C-3932	U-Bolt - 1/2 x 4 x 7 1/4 UL.....	12
21	S39649	U-Bolt - 5/8 x 4 x 7 3/4 UL.....	2
22	F-4642	U-Bolt - 5/8 x 6 x 5 1/2 UL.....	2
23	S27987	Locknut - 3/8 Serrated.....	36
24	W-516	Nut - 1/2	24
25	W-517	Nut - 5/8	8
26	W-518	Nut - 3/4	2
27	W-525	Lockwasher - 1/2.....	24
28	W-526	Lockwasher - 5/8.....	8
29	W-527	Lockwasher - 3/4.....	2
30	R480034	Hose - .929 ID x 1.169 OD/ft (75 ft roll) . . . 10"SP-675 ft . . . 12"SP-600 ft	
31	R480055	Hose - 2 1/2 ID/ft Goodyear (100 ft rolls) (Air Cart side of couplers)	150
32	R480060	Hose - 3 ID/ft (100 ft rolls)	150
33	N66396	Primary Pipe SS - 3 x 48 Lg.....	2
34	N64092	Primary Pipe SS - 3 x 72 Lg.....	2
35	N64094	Primary Pipe SS - 3 x 96 Lg.....	6
36	N67295	Primary Hose Guide Plate - Wing	2
37	N66374	Distribution Hose Clamp - Wing - 3 5/8 Dia	2
38	N66375	Distribution Hose Support Bracket - Wing - 3 5/8 Dia	2
39	S65390	Divider Head Pedestal - Main Frame	1
40	N67202	Head Mounting Bracket - 30 Degree - Right (shown)	1
40A	N67200	Head Mounting Bracket - 30 Degree - Left.....	1

Single Shoot - Tow Behind

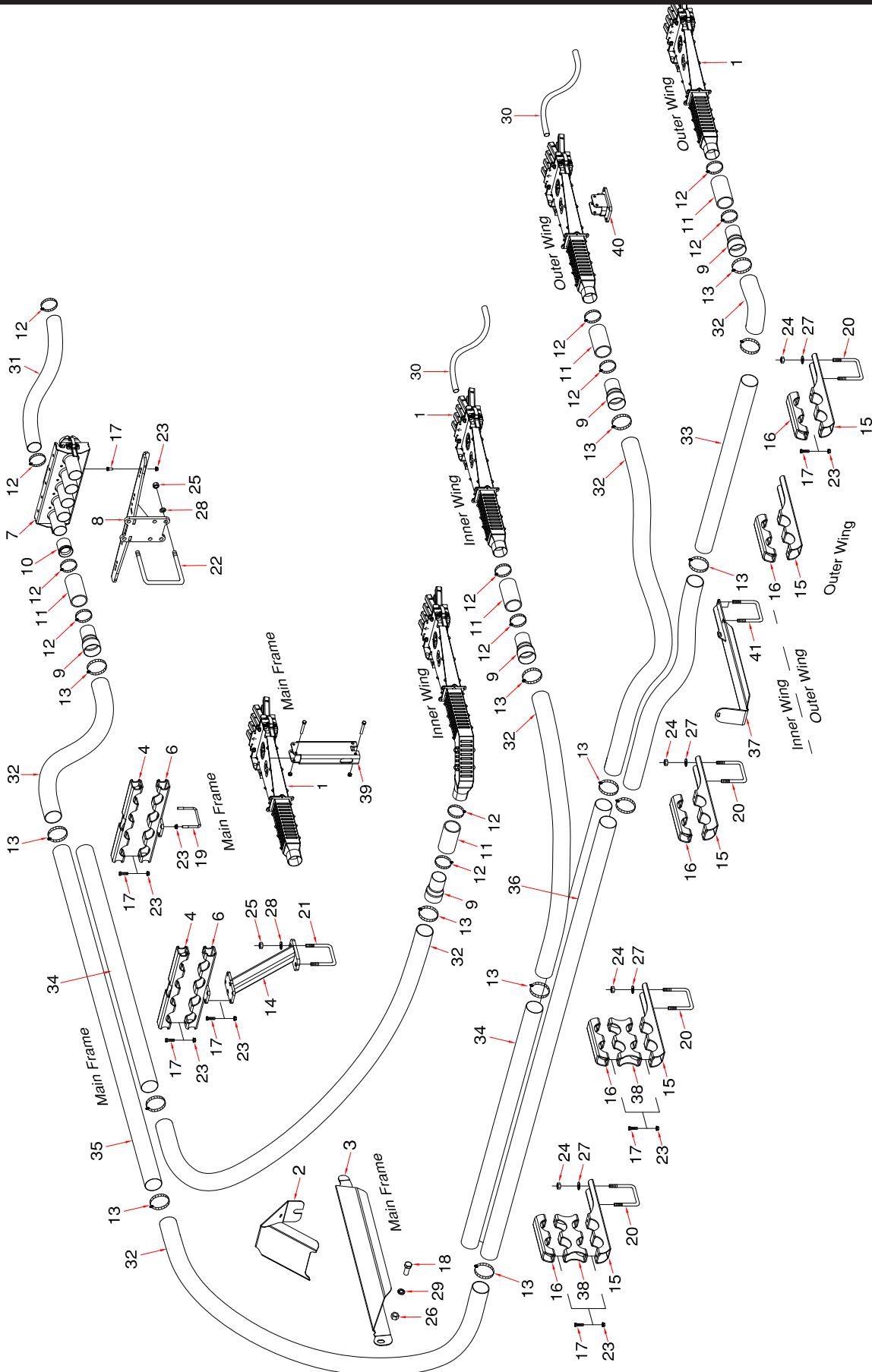
60 ft - 18m - 8 primaries - 10, 12 and 15 inch (250 - 300 - 380mm) Spacing



Single Shoot Tow Behind - 60 ft - 18m - 8 primaries

Item	Part No.	Description	Qty
		For 10, 12 and 15 inch - 250mm, 300mm and 380mm spacing	
1	*****	Divider Head Assembly (Refer to Divider Head Assembly for details)	
2	S67250	Primary Hose Deflector	2
3	S66430	Primary Hose Hose Suport - Main - Left side (shown)	1
	S66435	Primary Hose Hose Suport - Main - Right side	1
4	N66321	Distribution Pipe Clamp - Main	4
5	*****		
6	N66335	Distribution Pipe Clamp Bracket - Main	4
7	*****	Quick Coupler - 5 Run (Refer to Quick Coupler Assembly for details)	2
8	N53203	Coupler Tower - Behind	1
9	N64095	Primary Hose Adapter	16
10	N37920	Equalizer	4
11	N19428	Hose - 2.54 ID x 2.79 OD x 5 Lg.....	16
12	N11905	Hose Clamp - 2 1/2 - HC5-44 (Air Cart side uses 16)	48
13	N64099	Hose Clamp - 3 - SSTCH5-400	40
14	N66325	Distribution Pipe Stand - Main	2
15	N66339	Distribution Pipe Support Bracket - 2 pipe - Wing - Wing	6
16	N66359	Distribution Pipe Clamp - 2 pipe - Wing - Wing	6
17	W-187	Hex Bolt - 3/8 x 1 1/4 Lg.....	32
18	BW-10	Hex Bolt - 3/4 x 1 3/4 Lg.....	2
19	D-4932	U-Bolt - 3/8 x 4 1/8 x 3 UL.....	4
20	C-3932	U-Bolt - 1/2 x 4 x 7 1/4 UL.....	8
21	S39649	U-Bolt - 5/8 x 4 x 7 3/4 UL.....	2
22	F-4642	U-Bolt - 5/8 x 6 x 5 1/2 UL.....	2
23	S27987	Locknut - 3/8 Serrated.....	40
24	W-516	Nut - 1/2	16
25	W-517	Nut - 5/8	8
26	W-518	Nut - 3/4	2
27	W-525	Lockwasher - 1/2.....	16
28	W-526	Lockwasher - 5/8.....	8
29	W-527	Lockwasher - 3/4.....	2
30	R480034	Hose - .929 ID x 1.169 OD/ft (75 ft roll) 10"SP-825 ft . . 12"SP-675 ft . . 15"SP-600 ft	
31	R480055	Hose - 2 1/2 ID/ft Goodyear (100 ft rolls) (Air Cart side of couplers)	175
32	R480060	Hose - 3 ID/ft (100 ft rolls)	150
33	N64092	Primary Pipe SS - 3 x 72 Lg.....	4
34	N64094	Primary Pipe SS - 3 x 96 Lg.....	6
35	N66374	Distribution Hose Clamp - Wing - 3 5/8 Dia	2
36	N66375	Distribution Hose Support Bracket - Wing - 3 5/8 Dia	2
37	N66395	Primary Hose Guide Plate - Wing	2
38	S65382	Head Mounting Plate - Main	4
39	N50842	Bushings - .385 ID x 5/8 OD x 3 1/4 Lg	8
40	S-1299	Hex Bolt - 3/8 x 4 1/2 Lg.....	8
41	N67200	Head Mounting Bracket - 30 Degree - Left (shown)	1
41A	N67202	Head Mounting Bracket - 30 Degree - Right	1
42	N19723	U-Bolt - 3/8 x 4 1/16 x 6 15/16 UL	8

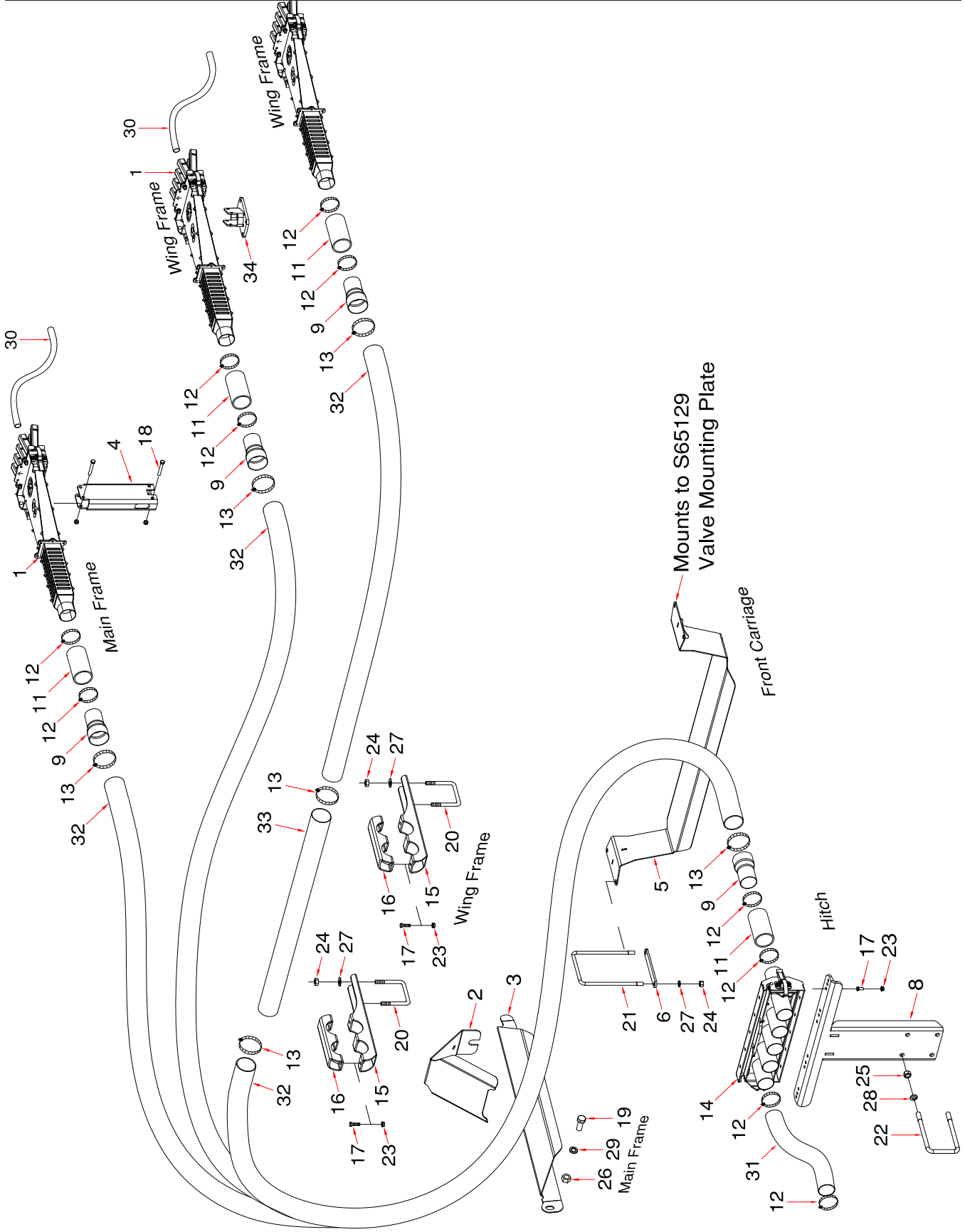
Single Shoot - Tow Behind 70 ft - 21m - 9 primaries - 10, 12 and 15 inch (250 - 300 - 380mm) Spacing



Single Shoot Tow Behind - 70 ft -21m - 9 primaries

Item	Part No.	Description	Qty
		For 10, 12 and 15 inch - 250mm, 300mm and 380mm spacing	
1	*****	Divider Head Assembly (Refer to Divider Head Assembly for details)	
2	S67250	Primary Hose Deflector	2
3	S66430	Primary Hose Hose Suport - Main - Left side (shown)	1
	S66435	Primary Hose Hose Suport - Main - Right side	1
4	N66321	Distribution Pipe Clamp - Main	4
5	*****		
6	N66335	Distribution Pipe Clamp Bracket - Main	4
7	*****	Quick Coupler - 5 Run (Refer to Quick Coupler Assembly for details)	2
8	N53203	Coupler Tower - Behind	1
9	N64095	Primary Hose Adapter	18
10	N37920	Equalizer	4
11	N19428	Hose - 2.54 ID x 2.79 OD x 5 Lg.....	18
12	N11905	Hose Clamp - 2 1/2 - HC5-44 (Air Cart side uses 18)	54
13	N64099	Hose Clamp - 3 - SSTCH5-400	50
14	N66325	Distribution Pipe Stand - Main	2
15	N66339	Distribution Pipe Support Bracket - Wing	10
16	N66359	Distribution Pipe Clamp - Wing	4
17	W-187	Hex Bolt - 3/8 x 1 1/4 Lg.....	44
18	BW-10	Hex Bolt - 3/4 x 1 3/4 Lg.....	2
19	D-4932	U-Bolt - 3/8 x 4 1/8 x 3 UL.....	4
20	C-3932	U-Bolt - 1/2 x 4 x 7 1/4 UL.....	10
21	S39649	U-Bolt - 5/8 x 4 x 7 3/4 UL.....	2
22	F-4642	U-Bolt - 5/8 x 6 x 5 1/2 UL.....	2
23	S27987	Locknut - 3/8 Serrated.....	52
24	W-516	Nut - 1/2	20
25	W-517	Nut - 5/8	8
26	W-518	Nut - 3/4	2
27	W-525	Lockwasher - 1/2.....	20
28	W-526	Lockwasher - 5/8.....	8
29	W-527	Lockwasher - 3/4.....	2
30	R480034	Hose - .929 ID x 1.169 OD/ft (75 ft roll) 10"SP-975 ft . . 12"SP-825 ft . . 15"SP-675 ft	
31	R480055	Hose - 2 1/2 ID/ft Goodyear (100 ft rolls) (Air Cart side of couplers)	180
32	R480060	Hose - 3 ID/ft (100 ft rolls)	175
33	N66396	Primary Pipe SS - 3 x 48 Lg.....	2
34	N64092	Primary Pipe SS - 3 x 72 Lg.....	4
35	N64094	Primary Pipe SS - 3 x 96 Lg.....	6
36	N64096	Primary Pipe SS - 3 x 120 Lg.....	4
37	N66395	Primary Hose Guide Plate.....	2
38	N66358	Distribution Pipe Spacer - 2 pipe - Wing	4
39	S65390	Divider Head Pedestal - Main Frame	1
40	N67640	Head Mounting Bracket - Straight	2
41	N19723	U-Bolt - 3/8 x 4 1/16 x 6 15/16 UL	8

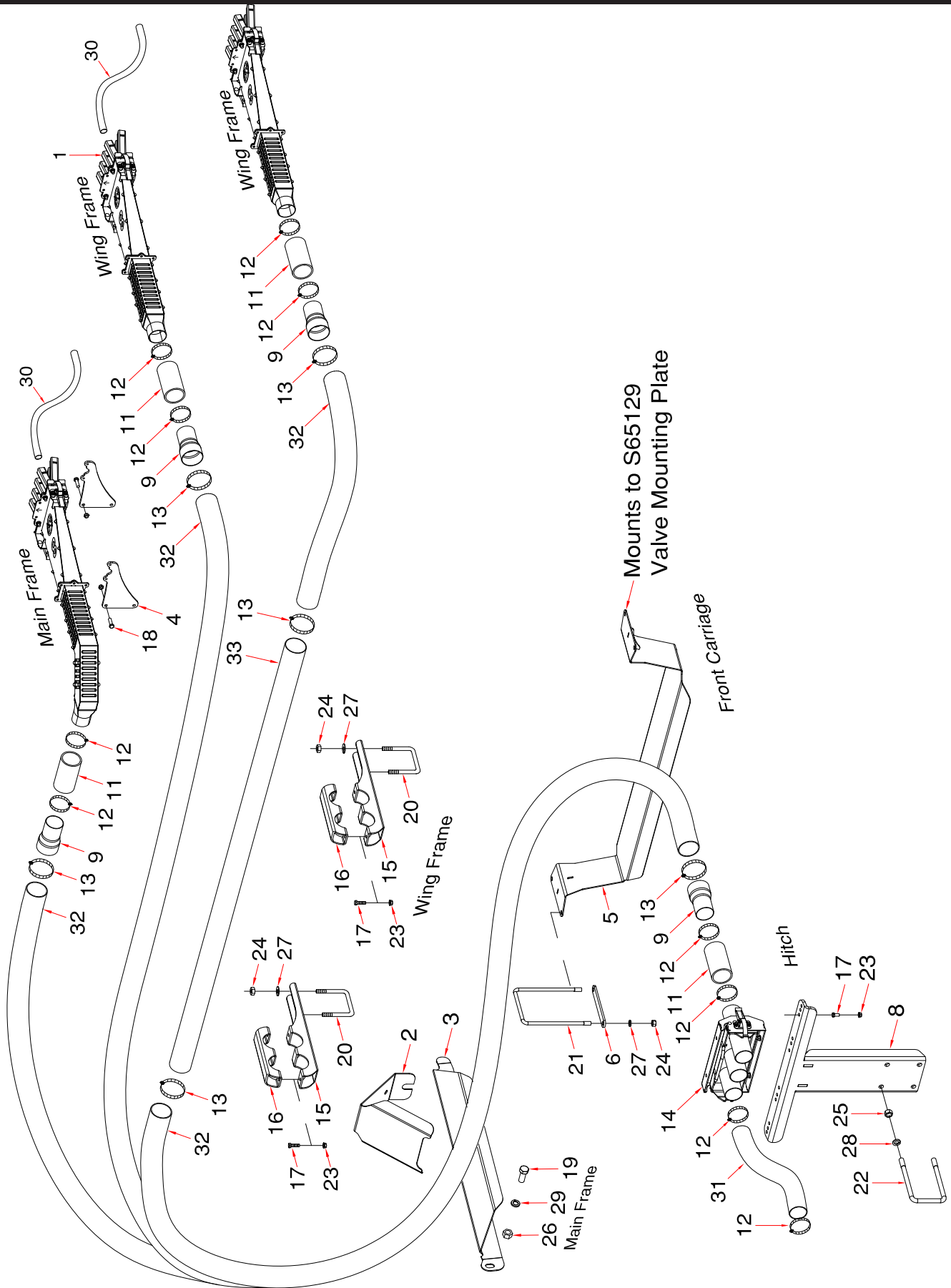
**Single Shoot - Tow Between
40 ft - 12m - 5 primaries - 12 and 15 inch (300 - 380mm) Spacing**



Single Shoot Tow Between - 40 ft - 12m - 5 primaries

Item	Part No.	Description	Qty
		For 12 and 15 inch - 300mm and 380mm spacing	
1	*****	Divider Head Assembly (Refer to Divider Head Assembly for details)	
2	S67250	Primary Hose Deflector	2
3	S66430	Primary Hose Hose Suport - Main - Left side (shown)	1
	S66435	Primary Hose Hose Suport - Main - Right side	1
4	S65390	Divider Head Pedestal - Main Frame	1
5	N67245	Primary Hose Hose Suport - Between	1
6	N67274	Spacer Plate	1
7	N67275	Kit - Primary Hose Hose Suport - Between (Includes items 5, 6, 21, 24 and 27)	
8	N66234	Coupler Tower - Between	1
9	N64095	Primary Hose Adapter	10
10	*****		
11	N19428	Hose - 2.54 ID x 2.79 OD x 5 Lg.....	10
12	N11905	Hose Clamp - 2 1/2 - HC5-44 (Air Cart side uses 10)	30
13	N64099	Hose Clamp - 3 - SSTCH5-400	14
14	*****	Quick Coupler - 5 Run (Refer to Quick Coupler Assembly for details)	1
15	N66339	Distribution Pipe Support Bracket - 2 pipe - Wing	4
16	N66359	Distribution Pipe Clamp - 2 pipe - Wing	4
17	W-187	Hex Bolt - 3/8 x 1 1/4 Lg.....	6
18	W-480	Hex Bolt - 3/8 x 2 1/2 Lg (Refer to Divider Head Assembly for details)	
19	BW-10	Hex Bolt - 3/4 x 1 3/4 Lg.....	2
20	C-3932	U-Bolt - 1/2 x 4 x 7 1/4 UL.....	4
21	H25628	U-Bolt - 1/2 x 6 1/16 x 9 3/8 UL.....	1
22	S39649	U-Bolt - 5/8 x 4 x 7 3/4 UL.....	2
23	S27987	Locknut - 3/8 Serrated.....	6
24	W-516	Nut - 1/2	10
25	W-517	Nut - 5/8	4
26	W-518	Nut - 3/4	2
27	W-525	Lockwasher - 1/2.....	10
28	W-526	Lockwasher - 5/8.....	4
29	W-527	Lockwasher - 3/4.....	2
30	R480034	Hose - .929 ID x 1.169 OD/ft (75 ft roll) . . 12"SP-450 ft . . 15"SP-375 ft	
31	R480055	Hose - 2 1/2 ID/ft Goodyear (100 ft rolls) (Air Cart side of couplers)	70
32	R480060	Hose - 3 ID/ft (100 ft rolls)	100
33	N66396	Primary Pipe SS - 3 x 48 Lg.....	2
34	N67202	Head Mounting Bracket - 30 Degree - Right (shown)	1
34A	N67200	Head Mounting Bracket - 30 Degree - Left.....	1

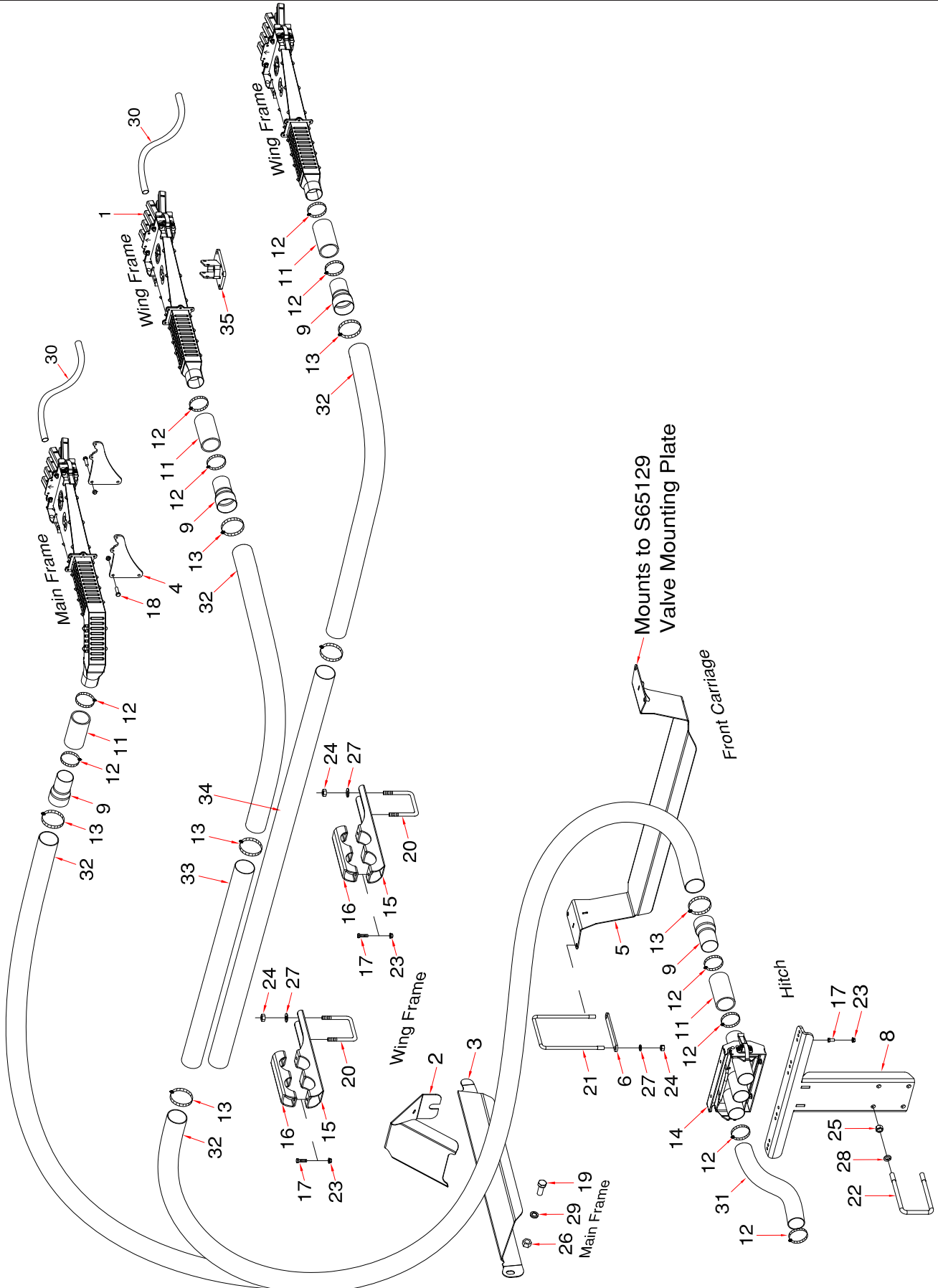
**Single Shoot - Tow Between
40 ft - 12m - 6 primaries - 10 inch (250mm) Spacing**



Single Shoot Tow Between - 40 ft - 12m - 6 primaries

Item	Part No.	Description	Qty
		For 10 inch - 250mm spacing	
1	*****	Divider Head Assembly (Refer to Divider Head Assembly for details)	
2	S67250	Primary Hose Deflector	2
3	S66430	Primary Hose Hose Suport - Main - Left side (shown)	1
	S66435	Primary Hose Hose Suport - Main - Right side	1
4	S65382	Head Mounting Plate - Main	4
5	N67245	Primary Hose Hose Suport - Between	1
6	N67274	Spacer Plate	1
7	N67275	Kit - Primary Hose Hose Suport - Between (Includes items 5, 6, 21, 24 and 27)	
8	N66234	Coupler Tower - Between	1
9	N64095	Primary Hose Adapter	12
10	*****		
11	N19428	Hose - 2.54 ID x 2.79 OD x 5 Lg.....	12
12	N11905	Hose Clamp - 2 1/2 - HC5-44 (Air Cart side uses 12)	36
13	N64099	Hose Clamp - 3 - SSTCH5-400	16
14	*****	Quick Coupler - 3 Run (Refer to Quick Coupler Assembly for details)	2
15	N66339	Distribution Pipe Support Bracket - 2 pipe - Wing	4
16	N66359	Distribution Pipe Clamp - 2 pipe - Wing	4
17	W-187	Hex Bolt - 3/8 x 1 1/4 Lg.....	12
18	W-187	Hex Bolt - 3/8 x 1 1/4 Lg (Refer to Divider Head Assembly for details)	8
19	BW-10	Hex Bolt - 3/4 x 1 3/4 Lg.....	2
20	C-3932	U-Bolt - 1/2 x 4 x 7 1/4 UL.....	4
21	H25628	U-Bolt - 1/2 x 6 1/16 x 9 3/8 UL.....	1
22	S39649	U-Bolt - 5/8 x 4 x 7 3/4 UL.....	2
23	S27987	Locknut - 3/8 Serrated.....	12
24	W-516	Nut - 1/2	10
25	W-517	Nut - 5/8	4
26	W-518	Nut - 3/4	2
27	W-525	Lockwasher - 1/2.....	10
28	W-526	Lockwasher - 5/8.....	4
29	W-527	Lockwasher - 3/4.....	2
30	R480034	Hose - .929 ID x 1.169 OD/ft (75 ft roll) . . 10"SP-600 ft	600
31	R480055	Hose - 2 1/2 ID/ft Goodyear (100 ft rolls) (Air Cart side of couplers)	84
32	R480060	Hose - 3 ID/ft (100 ft rolls)	125
33	N64094	Primary Pipe SS - 3 x 96 Lg.....	2

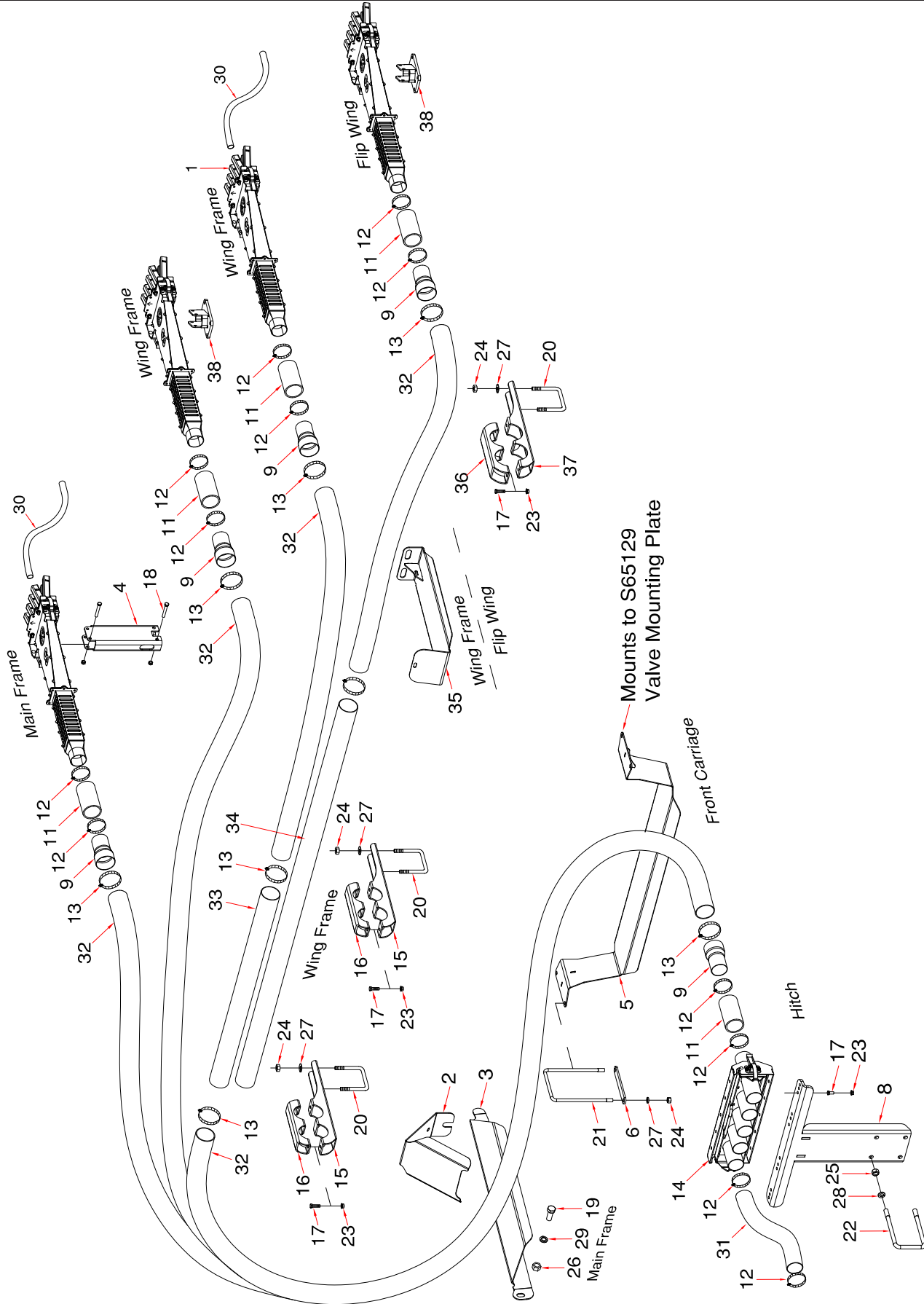
**Single Shoot - Tow Between
50 ft - 15m - 6 primaries - 15 inch (380mm) Spacing**



Single Shoot Tow Between - 50 ft - 15m - 6 primaries

Item	Part No.	Description	Qty
		For 15 inch - 380mm spacing	
1	*****	Divider Head Assembly (Refer to Divider Head Assembly for details)	
2	S67250	Primary Hose Deflector	2
3	S66430	Primary Hose Hose Suport - Main - Left side (shown)	1
	S66435	Primary Hose Hose Suport - Main - Right side	1
4	S65382	Head Mounting Plate - Main	4
5	N67245	Primary Hose Hose Suport - Between	1
6	N67274	Spacer Plate	1
7	N67275	Kit - Primary Hose Hose Suport - Between (Includes items 5, 6, 21, 24 and 27)	
8	N66234	Coupler Tower - Between	1
9	N64095	Primary Hose Adapter	12
10	*****		
11	N19428	Hose - 2.54 ID x 2.79 OD x 5 Lg.....	12
12	N11905	Hose Clamp - 2 1/2 - HC5-44 (Air Cart side uses 12)	36
13	N64099	Hose Clamp - 3 - SSTCH5-400	20
14	*****	Quick Coupler - 3 Run (Refer to Quick Coupler Assembly for details)	2
15	N66339	Distribution Pipe Support Bracket - 2 pipe - Wing	4
16	N66359	Distribution Pipe Clamp - 2 pipe - Wing	4
17	W-187	Hex Bolt - 3/8 x 1 1/4 Lg.....	12
18	W-187	Hex Bolt - 3/8 x 1 1/4 Lg (Refer to Divider Head Assembly for details)	8
19	BW-10	Hex Bolt - 3/4 x 1 3/4 Lg.....	2
20	C-3932	U-Bolt - 1/2 x 4 x 7 1/4 UL.....	4
21	H25628	U-Bolt - 1/2 x 6 1/16 x 9 3/8 UL.....	1
22	S39649	U-Bolt - 5/8 x 4 x 7 3/4 UL.....	2
23	S27987	Locknut - 3/8 Serrated.....	12
24	W-516	Nut - 1/2	10
25	W-517	Nut - 5/8	4
26	W-518	Nut - 3/4	2
27	W-525	Lockwasher - 1/2.....	10
28	W-526	Lockwasher - 5/8.....	4
29	W-527	Lockwasher - 3/4.....	2
30	R480034	Hose - .929 ID x 1.169 OD/ft (75 ft roll)	450
31	R480055	Hose - 2 1/2 ID/ft Goodyear (100 ft rolls) (Air Cart side of couplers)	84
32	R480060	Hose - 3 ID/ft (100 ft rolls)	125
33	N66396	Primary Pipe SS - 3 x 48 Lg.....	2
34	N64094	Primary Pipe SS - 3 x 96 Lg.....	2
35	N67202	Head Mounting Bracket - 30 Degree - Right (shown)	1
35A	N67200	Head Mounting Bracket - 30 Degree - Left.....	1

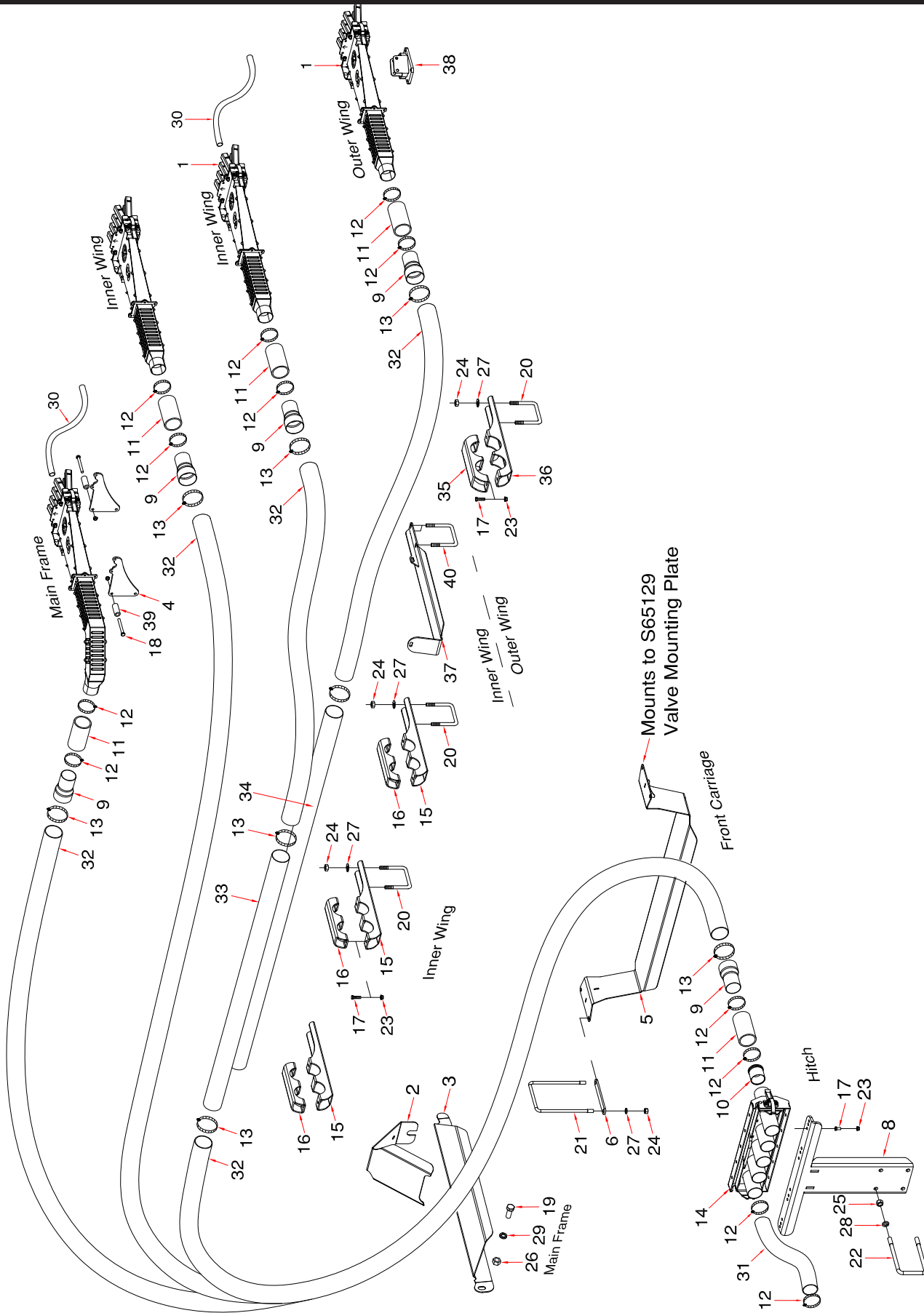
**Single Shoot - Tow Between
50 ft - 15m - 7 primaries - 10 and 12 inch (250 - 300mm) Spacing**



Single Shoot Tow Between - 50 ft - 15m - 7 primaries

Item	Part No.	Description	Qty
		For 10 and 12 inch - 250mm and 300mm spacing	
1	*****	Divider Head Assembly (Refer to Divider Head Assembly for details)	
2	S67250	Primary Hose Deflector	2
3	S66430	Primary Hose Hose Suport - Main - Left side (shown)	1
	S66435	Primary Hose Hose Suport - Main - Right side	1
4	S65390	Divider Head Pedestal - Main Frame	1
5	N67245	Primary Hose Hose Suport - Between	1
6	N67274	Spacer Plate	1
7	N67275	Kit - Primary Hose Hose Suport - Between (Includes items 5, 6, 21, 24 and 27)	
8	N66234	Coupler Tower - Between	1
9	N64095	Primary Hose Adapter	14
10	*****		
11	N19428	Hose - 2.54 ID x 2.79 OD x 5 Lg.....	14
12	N11905	Hose Clamp - 2 1/2 - HC5-44 (Air Cart side uses 14).....	42
13	N64099	Hose Clamp - 3 - SSTCH5-400	22
14	*****	Quick Coupler - 5 Run (Refer to Quick Coupler Assembly for details).....	2
15	N66339	Distribution Pipe Support Bracket - 2 pipe - Wing	4
16	N66359	Distribution Pipe Clamp - 2 pipe - Wing	4
17	W-187	Hex Bolt - 3/8 x 1 1/4 Lg.....	16
18	W-480	Hex Bolt - 3/8 x 2 1/2 Lg (Refer to Divider Head Assembly for details).....	2
19	BW-10	Hex Bolt - 3/4 x 1 3/4 Lg.....	2
20	C-3932	U-Bolt - 1/2 x 4 x 7 1/4 UL.....	6
21	H25628	U-Bolt - 1/2 x 6 1/16 x 9 3/8 UL.....	1
22	S39649	U-Bolt - 5/8 x 4 x 7 3/4 UL.....	2
23	S27987	Locknut - 3/8 Serrated.....	16
24	W-516	Nut - 1/2	14
25	W-517	Nut - 5/8	4
26	W-518	Nut - 3/4	2
27	W-525	Lockwasher - 1/2.....	14
28	W-526	Lockwasher - 5/8.....	4
29	W-527	Lockwasher - 3/4.....	2
30	R480034	Hose - .929 ID x 1.169 OD/ft (75 ft roll) 10"SP-675 ft . . 12"SP-600 ft . .	
31	R480055	Hose - 2 1/2 ID/ft Goodyear (100 ft rolls) (Air Cart side of couplers).....	100
32	R480060	Hose - 3 ID/ft (100 ft rolls)	150
33	N66396	Primary Pipe SS - 3 x 48 Lg.....	2
34	N64094	Primary Pipe SS - 3 x 96 Lg.....	2
35	N67295	Primary Hose Guide Plate - Wing	2
36	N66374	Distribution Hose Clamp - Wing - 3 5/8 Dia	2
37	N66375	Distribution Hose Support Bracket - Wing - 3 5/8 Dia	2
38	N67202	Head Mounting Bracket - 30 Degree - Right (shown)	2
38A	N67200	Head Mounting Bracket - 30 Degree - Left.....	2

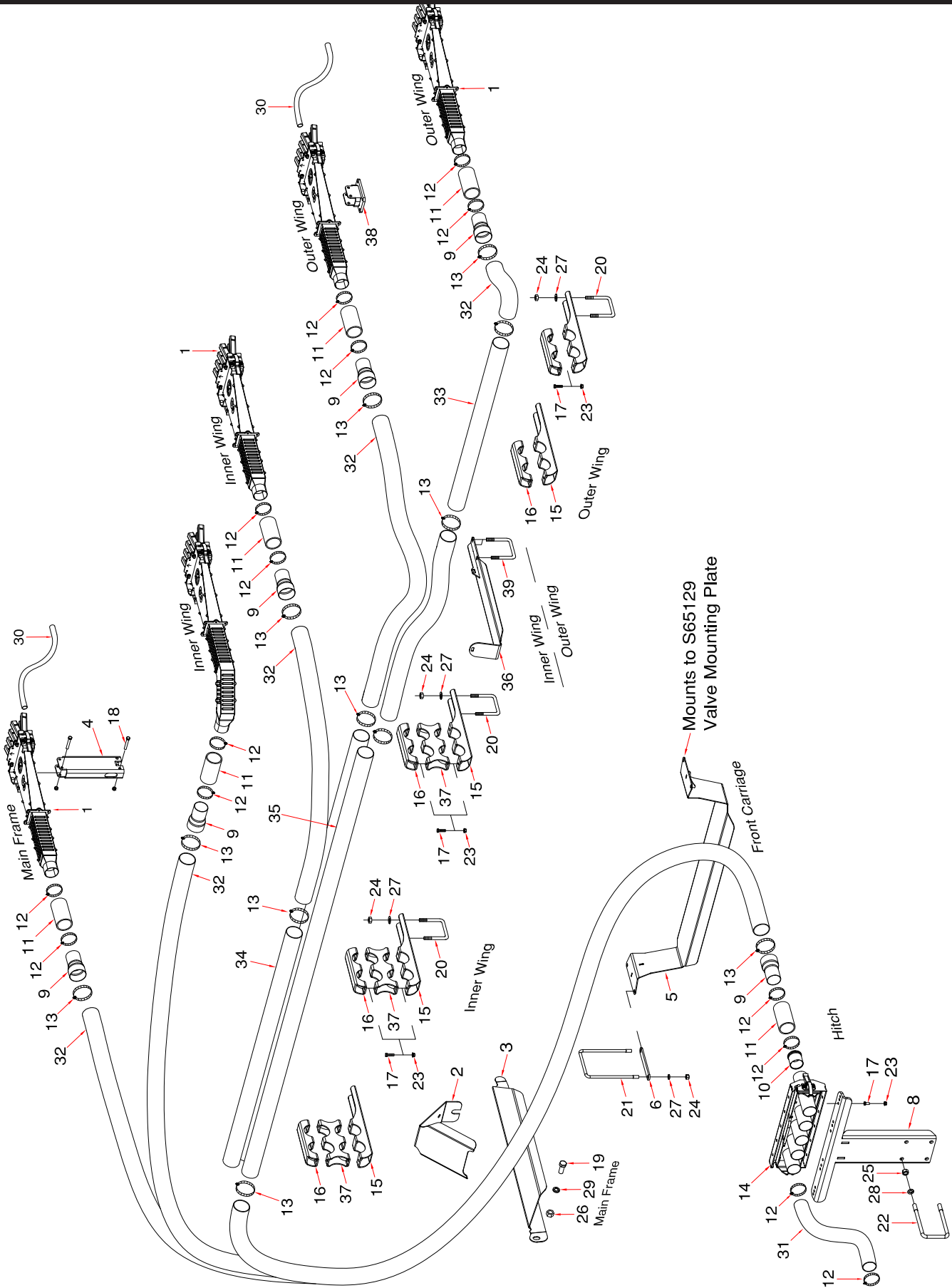
**Single Shoot - Tow Between
60 ft - 18m - 8 primaries - 10, 12 and 15 inch (250 - 300 - 380mm) Spacing**



Single Shoot Tow Between - 60 ft - 18m - 8 primaries

Item	Part No.	Description	Qty
		For 10, 12 and 15 inch - 250mm, 300mm and 380mm spacing	
1	*****	Divider Head Assembly (Refer to Divider Head Assembly for details)	
2	S67250	Primary Hose Deflector	2
3	S66430	Primary Hose Hose Suport - Main - Left side (shown)	1
	S66435	Primary Hose Hose Suport - Main - Right side	1
4	S65382	Head Mounting Plate - Main	4
5	N67245	Primary Hose Hose Suport - Between	1
6	N67274	Spacer Plate	1
7	N67275	Kit - Primary Hose Hose Suport - Between (Includes items 5, 6, 21, 24 and 27)	
8	N66234	Coupler Tower - Between	1
9	N64095	Primary Hose Adapter	16
10	N37920	Equalizer	4
11	N19428	Hose - 2.54 ID x 2.79 OD x 5 Lg.....	16
12	N11905	Hose Clamp - 2 1/2 - HC5-44 (Air Cart side uses 16).....	48
13	N64099	Hose Clamp - 3 - SSTCH5-400	24
14	*****	Quick Coupler - 5 Run (Refer to Quick Coupler Assembly for details).....	2
15	N66339	Distribution Pipe Support Bracket - 2 pipe - Wing - Wing	6
16	N66359	Distribution Pipe Clamp - 2 pipe - Wing - Wing	6
17	W-187	Hex Bolt - 3/8 x 1 1/4 Lg.....	20
18	S-1299	Hex Bolt - 3/8 x 4 1/2 Lg (Refer to Divider Head Assembly for details).....	8
19	BW-10	Hex Bolt - 3/4 x 1 3/4 Lg.....	2
20	C-3932	U-Bolt - 1/2 x 4 x 7 1/4 UL.....	8
21	H25628	U-Bolt - 1/2 x 6 1/16 x 9 3/8 UL.....	1
22	S39649	U-Bolt - 5/8 x 4 x 7 3/4 UL.....	2
23	S27987	Locknut - 3/8 Serrated.....	20
24	W-516	Nut - 1/2	18
25	W-517	Nut - 5/8	4
26	W-518	Nut - 3/4	2
27	W-525	Lockwasher - 1/2.....	18
28	W-526	Lockwasher - 5/8.....	4
29	W-527	Lockwasher - 3/4.....	2
30	R480034	Hose - .929 ID x 1.169 OD/ft (75 ft roll) 10"SP-825 ft . . 12"SP-675 ft . . 15"SP-600 ft	
31	R480055	Hose - 2 1/2 ID/ft Goodyear (100 ft rolls) (Air Cart side of couplers).....	125
32	R480060	Hose - 3 ID/ft (100 ft rolls)	175
33	N64092	Primary Pipe SS - 3 x 72 Lg.....	2
34	N64094	Primary Pipe SS - 3 x 96 Lg.....	2
35	N66374	Distribution Hose Clamp - Wing - 3 5/8 Dia	2
36	N66375	Distribution Hose Support Bracket - Wing - 3 5/8 Dia	2
37	N66395	Primary Hose Guide Plate - Wing	2
38	N67200	Head Mounting Bracket - 30 Degree - Left (shown).....	1
38A	N67202	Head Mounting Bracket - 30 Degree - Right.....	1
39	N50842	Bushings - .385 ID x 5/8 OD x 3 1/4 Lg	8
40	N19723	U-Bolt - 3/8 x 4 1/16 x 6 15/16 UL	8

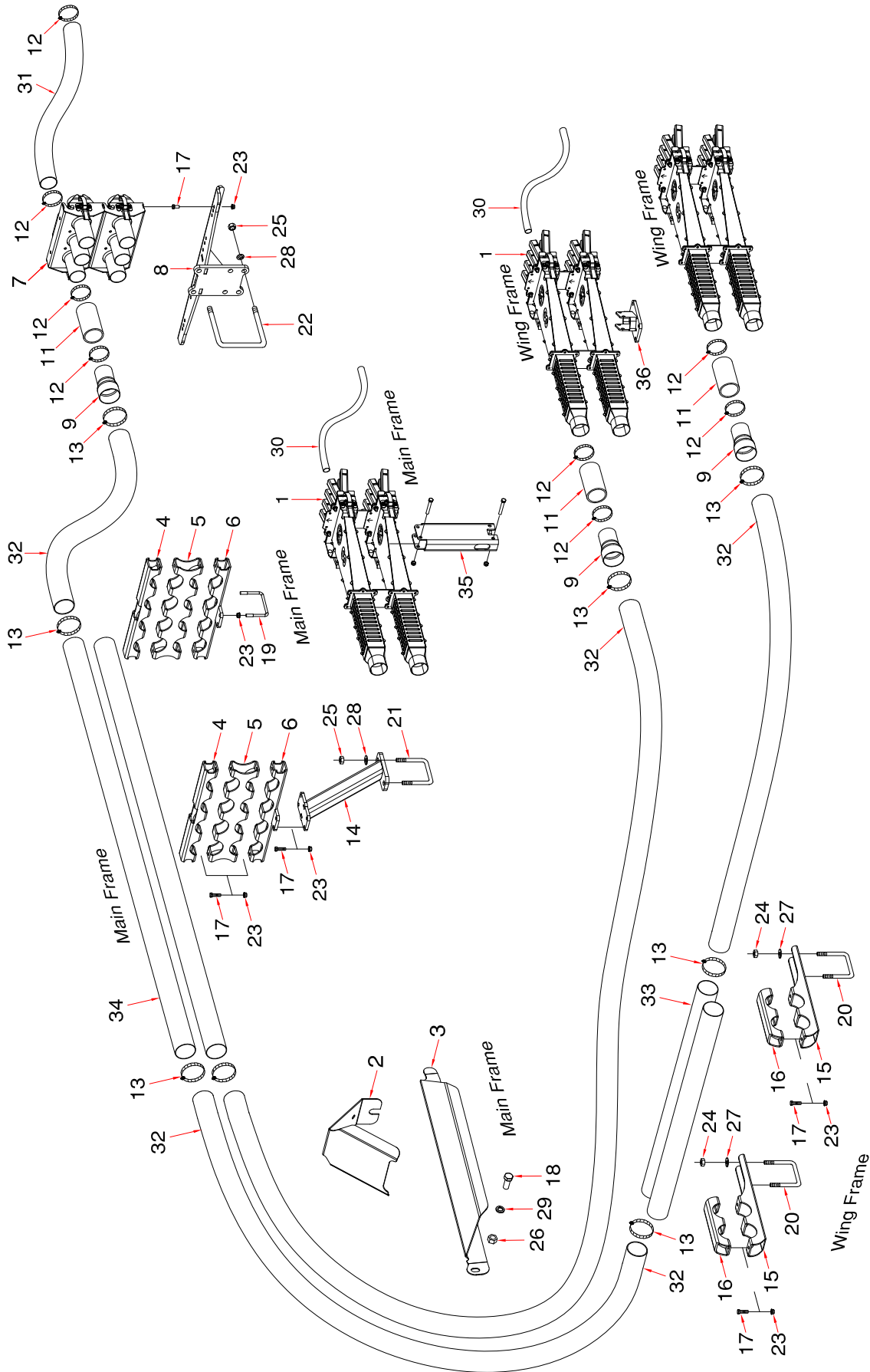
Single Shoot - Tow Between 70 ft - 21m - 9 primaries - 10, 12 and 15 inch (250 - 300 - 380mm) Spacing



Single Shoot Tow Between - 70 ft - 21m - 9 primaries

Item	Part No.	Description	Qty
		For 10, 12 and 15 inch - 250mm, 300mm and 380mm spacing	
1	*****	Divider Head Assembly (Refer to Divider Head Assembly for details)	
2	S67250	Primary Hose Deflector	2
3	S66430	Primary Hose Hose Suport - Main - Left side (shown)	1
	S66435	Primary Hose Hose Suport - Main - Right side	1
4	S65390	Divider Head Pedestal - Main Frame	1
5	N67245	Primary Hose Hose Suport - Between	1
6	N67274	Spacer Plate	1
7	N67275	Kit - Primary Hose Hose Suport - Between (Includes items 5, 6, 21, 24 and 27)	
8	N66234	Coupler Tower - Between	1
9	N64095	Primary Hose Adapter	18
10	N37920	Equalizer	8
11	N19428	Hose - 2.54 ID x 2.79 OD x 5 Lg.....	18
12	N11905	Hose Clamp - 2 1/2 - HC5-44 (Air Cart side uses 18).....	54
13	N64099	Hose Clamp - 3 - SSTCH5-400	34
14	*****	Quick Coupler - 5 Run (Refer to Quick Coupler Assembly for details).....	2
15	N66339	Distribution Pipe Support Bracket - Wing	10
16	N66359	Distribution Pipe Clamp - Wing	10
17	W-187	Hex Bolt - 3/8 x 1 1/4 Lg.....	36
18	W-480	Hex Bolt - 3/8 x 2 1/2 Lg (Refer to Divider Head Assembly for details).....	2
19	BW-10	Hex Bolt - 3/4 x 1 3/4 Lg.....	2
20	C-3932	U-Bolt - 1/2 x 4 x 7 1/4 UL.....	10
21	H25628	U-Bolt - 1/2 x 6 1/16 x 9 3/8 UL.....	1
22	S39649	U-Bolt - 5/8 x 4 x 7 3/4 UL.....	2
23	S27987	Locknut - 3/8 Serrated.....	36
24	W-516	Hex Nut - 1/2.....	22
25	W-517	Hex Nut - 5/8.....	4
26	W-518	Hex Nut - 3/4.....	2
27	W-525	Lockwasher - 1/2.....	22
28	W-526	Lockwasher - 5/8.....	4
29	W-527	Lockwasher - 3/4.....	2
30	R480034	Hose - .929 ID x 1.169 OD/ft (75 ft roll) 10"SP-975 ft . . 12"SP-825 ft . . 15"SP-675 ft	
31	R480055	Hose - 2 1/2 ID/ft Goodyear (100 ft rolls) (Air Cart side of couplers).....	125
32	R480060	Hose - 3 ID/ft (100 ft rolls)	200
33	N66396	Primary Pipe SS - 3 x 48 Lg.....	2
34	N64092	Primary Pipe SS - 3 x 72 Lg.....	2
35	N64096	Primary Pipe SS - 3 x 120 Lg.....	4
36	N66395	Primary Hose Guide Plate.....	2
37	N66358	Distribution Pipe Spacer - 2 pipe - Wing	6
38	N67640	Head Mounting Bracket - Straight	2
39	N19723	U-Bolt - 3/8 x 4 1/16 x 6 15/16 UL	8

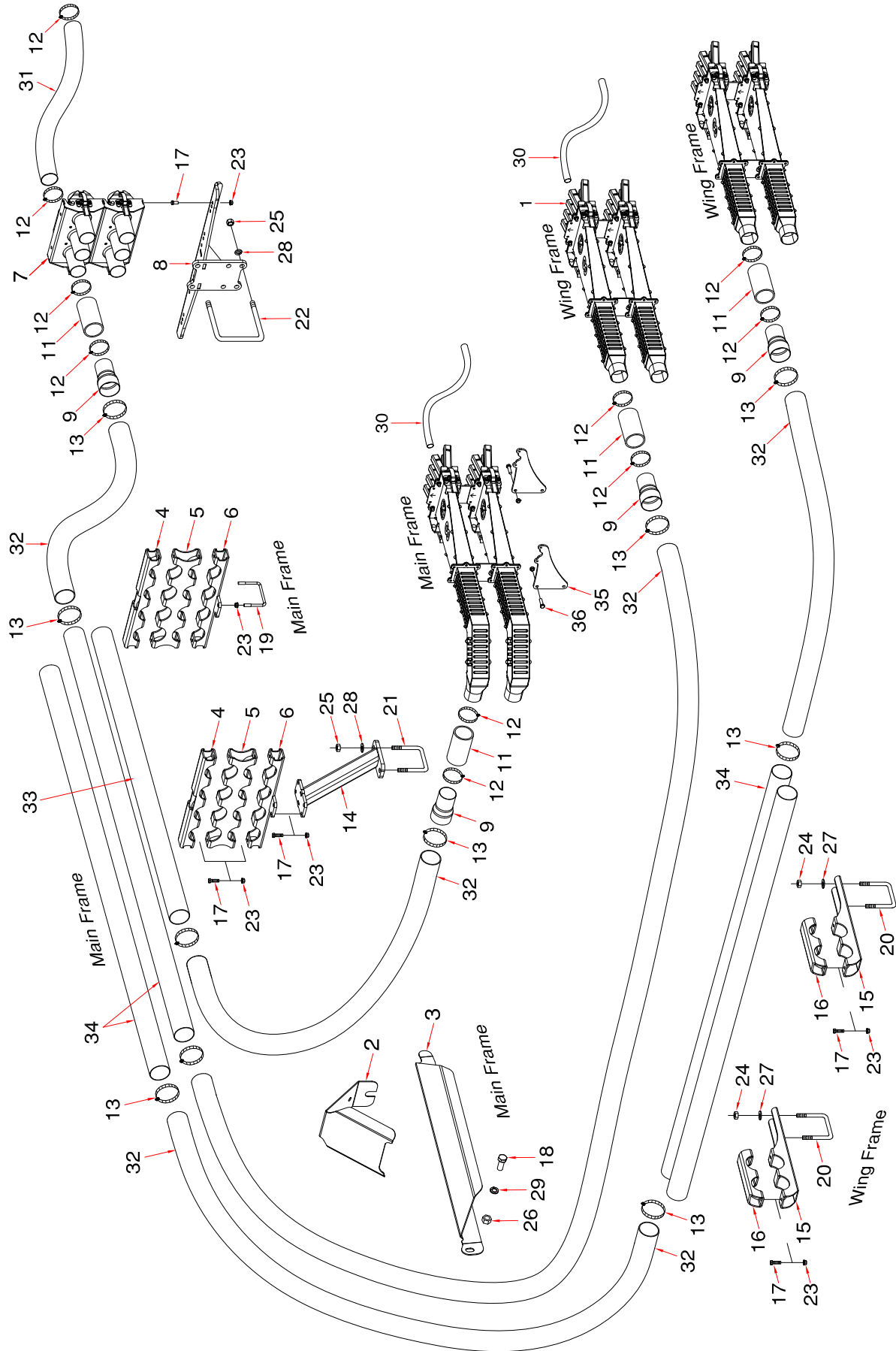
Dual Shoot - Tow Behind 40 ft - 12m - 5 primaries - 12 and 15 inch (300 - 380mm) Spacing



Dual Shoot Tow Behind - 40 ft - 12m - 5 primaries

Item	Part No.	Description	Qty
		For 12 and 15 inch - 300mm and 380mm spacing	
1	*****	Divider Head Assembly (Refer to Divider Head Assembly for details)	
2	S67250	Primary Hose Deflector	2
3	S66430	Primary Hose Hose Suport - Main - Left side (shown)	1
	S66435	Primary Hose Hose Suport - Main - Right side	1
4	N66321	Distribution Pipe Clamp - Main	4
5	N66322	Distribution Pipe Spacer - Main	4
6	N66335	Distribution Pipe Clamp Bracket - Main	4
7	*****	Quick Coupler - 3 Run (Refer to Quick Coupler Assembly for details)	4
8	N53203	Coupler Tower - Behind	1
9	N64095	Primary Hose Adapter	20
10	*****		
11	N19428	Hose - 2.54 ID x 2.79 OD x 5 Lg.....	20
12	N11905	Hose Clamp - 2 1/2 - HC5-44 (Air Cart side uses 20).....	60
13	N64099	Hose Clamp - 3 - SSTCH5-400	44
14	N66325	Distribution Pipe Stand - Main	2
15	N66339	Distribution Pipe Support Bracket - 2 pipe - Wing	4
16	N66359	Distribution Pipe Clamp - 2 pipe - Wing	4
17	W-187	Hex Bolt - 3/8 x 1 1/4 Lg.....	40
18	BW-10	Hex Bolt - 3/4 x 1 3/4 Lg.....	2
19	D-4932	U-Bolt - 3/8 x 4 1/8 x 3 UL.....	4
20	C-3932	U-Bolt - 1/2 x 4 x 7 1/4 UL.....	4
21	S39649	U-Bolt - 5/8 x 4 x 7 3/4 UL.....	2
22	F-4642	U-Bolt - 5/8 x 6 x 5 1/2 UL.....	2
23	S27987	Locknut - 3/8 Serrated.....	48
24	W-516	Nut - 1/2	8
25	W-517	Nut - 5/8	8
26	W-518	Nut - 3/4	2
27	W-525	Lockwasher - 1/2.....	8
28	W-526	Lockwasher - 5/8.....	8
29	W-527	Lockwasher - 3/4.....	2
30	R480034	Hose - .929 ID x 1.169 OD/ft (75 ft roll) . . .12"SP-900 ft . . .15"SP-750 ft	
31	R480055	Hose - 2 1/2 ID/ft Goodyear (100 ft rolls) (Air Cart side of couplers)	200
32	R480060	Hose - 3 ID/ft (100 ft rolls)	175
33	N66396	Primary Pipe SS - 3 x 48 Lg.....	4
34	N64094	Primary Pipe SS - 3 x 96 Lg.....	8
35	S65390	Divider Head Pedestal - Main Frame	1
36	N67202	Head Mounting Bracket - 30 Degree - Right (shown)	1
36A	N67200	Head Mounting Bracket - 30 Degree - Left.....	1

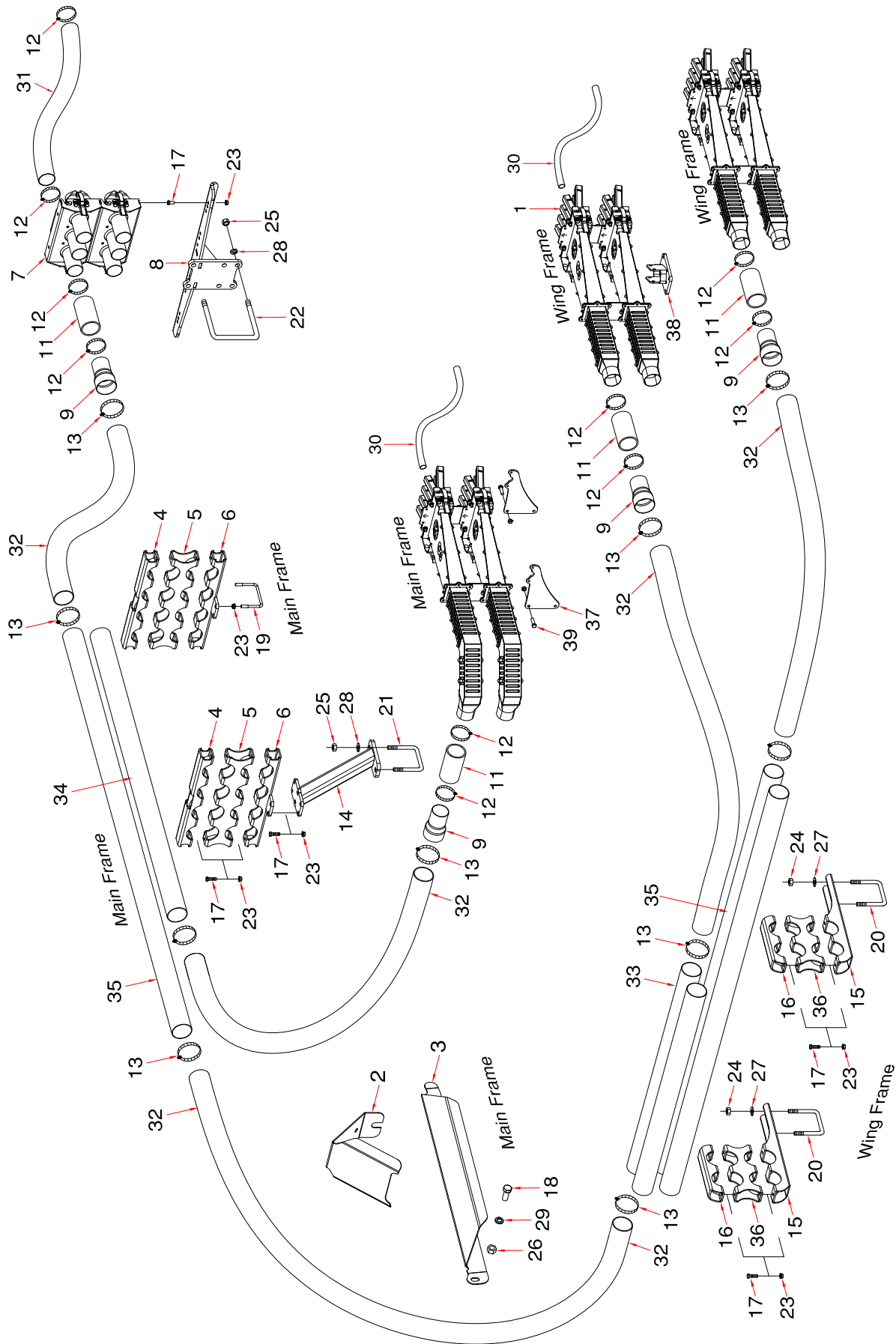
Dual Shoot - Tow Behind 40 ft - 12m - 6 primaries - 10 inch (250mm) Spacing



Dual Shoot Tow Behind - 40 ft -12m - 6 primaries

Item	Part No.	Description	Qty
		For 10 inch - 250mm spacing	
1	*****	Divider Head Assembly (Refer to Divider Head Assembly for details)	
2	S67250	Primary Hose Deflector	2
3	S66430	Primary Hose Hose Suport - Main - Left side (shown)	1
	S66435	Primary Hose Hose Suport - Main - Right side	1
4	N66321	Distribution Pipe Clamp - Main	4
5	N66322	Distribution Pipe Spacer - Main	4
6	N66335	Distribution Pipe Clamp Bracket - Main	4
7	*****	Quick Coupler - 3 Run (Refer to Quick Coupler Assembly for details)	4
8	N53203	Coupler Tower - Behind	1
9	N64095	Primary Hose Adapter	24
10	*****		
11	N19428	Hose - 2.54 ID x 2.79 OD x 5 Lg.....	24
12	N11905	Hose Clamp - 2 1/2 - HC5-44 (Air Cart side uses 24).....	72
13	N64099	Hose Clamp - 3 - SSTCH5-400	54
14	N66325	Distribution Pipe Stand - Main	2
15	N66339	Distribution Pipe Support Bracket - 2 pipe - Wing	4
16	N66359	Distribution Pipe Clamp - 2 pipe - Wing	4
17	W-187	Hex Bolt - 3/8 x 1 1/4 Lg.....	40
18	BW-10	Hex Bolt - 3/4 x 1 3/4 Lg.....	2
19	D-4932	U-Bolt - 3/8 x 4 1/8 x 3 UL.....	4
20	C-3932	U-Bolt - 1/2 x 4 x 7 1/4 UL.....	4
21	S39649	U-Bolt - 5/8 x 4 x 7 3/4 UL.....	2
22	F-4642	U-Bolt - 5/8 x 6 x 5 1/2 UL.....	2
23	S27987	Locknut - 3/8 Serrated.....	48
24	W-516	Nut - 1/2	8
25	W-517	Nut - 5/8	8
26	W-518	Nut - 3/4	2
27	W-525	Lockwasher - 1/2.....	8
28	W-526	Lockwasher - 5/8.....	8
29	W-527	Lockwasher - 3/4.....	2
30	R480034	Hose - .929 ID x 1.169 OD/ft (75 ft roll)	1125
31	R480055	Hose - 2 1/2 ID/ft Goodyear (100 ft rolls) (Air Cart side of couplers)	250
32	R480060	Hose - 3 ID/ft (100 ft rolls)	175
33	N64092	Primary Pipe SS - 3 x 72 Lg.....	4
34	N64094	Primary Pipe SS - 3 x 96 Lg.....	12
35	S65382	Head Mounting Plate - Main	4
36	W-187	Hex Bolt - 3/8 x 1 1/4 Lg.....	8

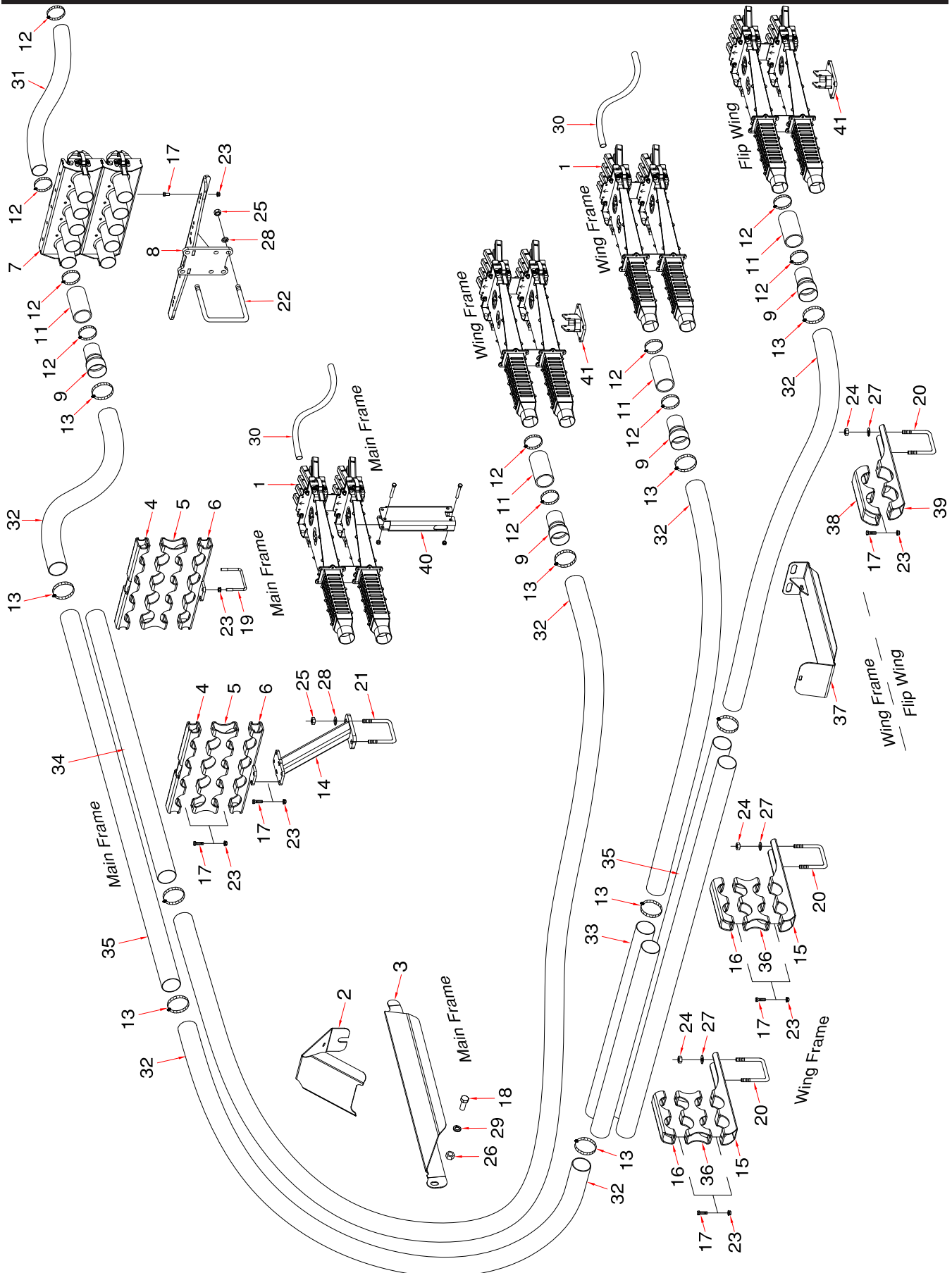
Dual Shoot - Tow Behind 50 ft - 15m - 6 primaries - 15 inch (380mm) Spacing



Dual Shoot Tow Behind - 50 ft - 15m - 6 primaries

Item	Part No.	Description	Qty
		For 15 inch - 380mm spacing	
1	*****	Divider Head Assembly (Refer to Divider Head Assembly for details)	
2	S67250	Primary Hose Deflector	2
3	S66430	Primary Hose Hose Suport - Main - Left side (shown)	1
	S66435	Primary Hose Hose Suport - Main - Right side	1
4	N66321	Distribution Pipe Clamp - Main	4
5	N66322	Distribution Pipe Spacer - Main	4
6	N66335	Distribution Pipe Clamp Bracket - Main	4
7	*****	Quick Coupler - 3 Run (Refer to Quick Coupler Assembly for details)	4
8	N53203	Coupler Tower - Behind	1
9	N64095	Primary Hose Adapter	24
10	*****		
11	N19428	Hose - 2.54 ID x 2.79 OD x 5 Lg.....	24
12	N11905	Hose Clamp - 2 1/2 - HC5-44 (Air Cart side uses 24).....	72
13	N64099	Hose Clamp - 3 - SSTCH5-400	64
14	N66325	Distribution Pipe Stand - Main	2
15	N66339	Distribution Pipe Support Bracket - 2 pipe - Wing	4
16	N66359	Distribution Pipe Clamp - 2 pipe - Wing	4
17	W-187	Hex Bolt - 3/8 x 1 1/4 Lg.....	44
18	BW-10	Hex Bolt - 3/4 x 1 3/4 Lg.....	2
19	D-4932	U-Bolt - 3/8 x 4 1/8 x 3 UL.....	4
20	C-3932	U-Bolt - 1/2 x 4 x 7 1/4 UL.....	4
21	S39649	U-Bolt - 5/8 x 4 x 7 3/4 UL.....	2
22	F-4642	U-Bolt - 5/8 x 6 x 5 1/2 UL.....	2
23	S27987	Locknut - 3/8 Serrated.....	52
24	W-516	Nut - 1/2	8
25	W-517	Nut - 5/8	8
26	W-518	Nut - 3/4	2
27	W-525	Lockwasher - 1/2.....	8
28	W-526	Lockwasher - 5/8.....	8
29	W-527	Lockwasher - 3/4.....	2
30	R480034	Hose - .929 ID x 1.169 OD/ft (75 ft roll)	900
31	R480055	Hose - 2 1/2 ID/ft Goodyear (100 ft rolls) (Air Cart side of couplers)	250
32	R480060	Hose - 3 ID/ft (100 ft rolls)	300
33	N66396	Primary Pipe SS - 3 x 48 Lg.....	4
34	N64092	Primary Pipe SS - 3 x 72 Lg.....	4
35	N64094	Primary Pipe SS - 3 x 96 Lg.....	12
36	N66358	Distribution Pipe Spacer - 2 pipe - Wing	4
37	S65382	Head Mounting Plate - Main	4
38	N67202	Head Mounting Bracket - 30 Degree - Right (shown)	1
38A	N67200	Head Mounting Bracket - 30 Degree - Left.....	1
39	W-187	Hex Bolt - 3/8 x 1 1/4 Lg.....	8

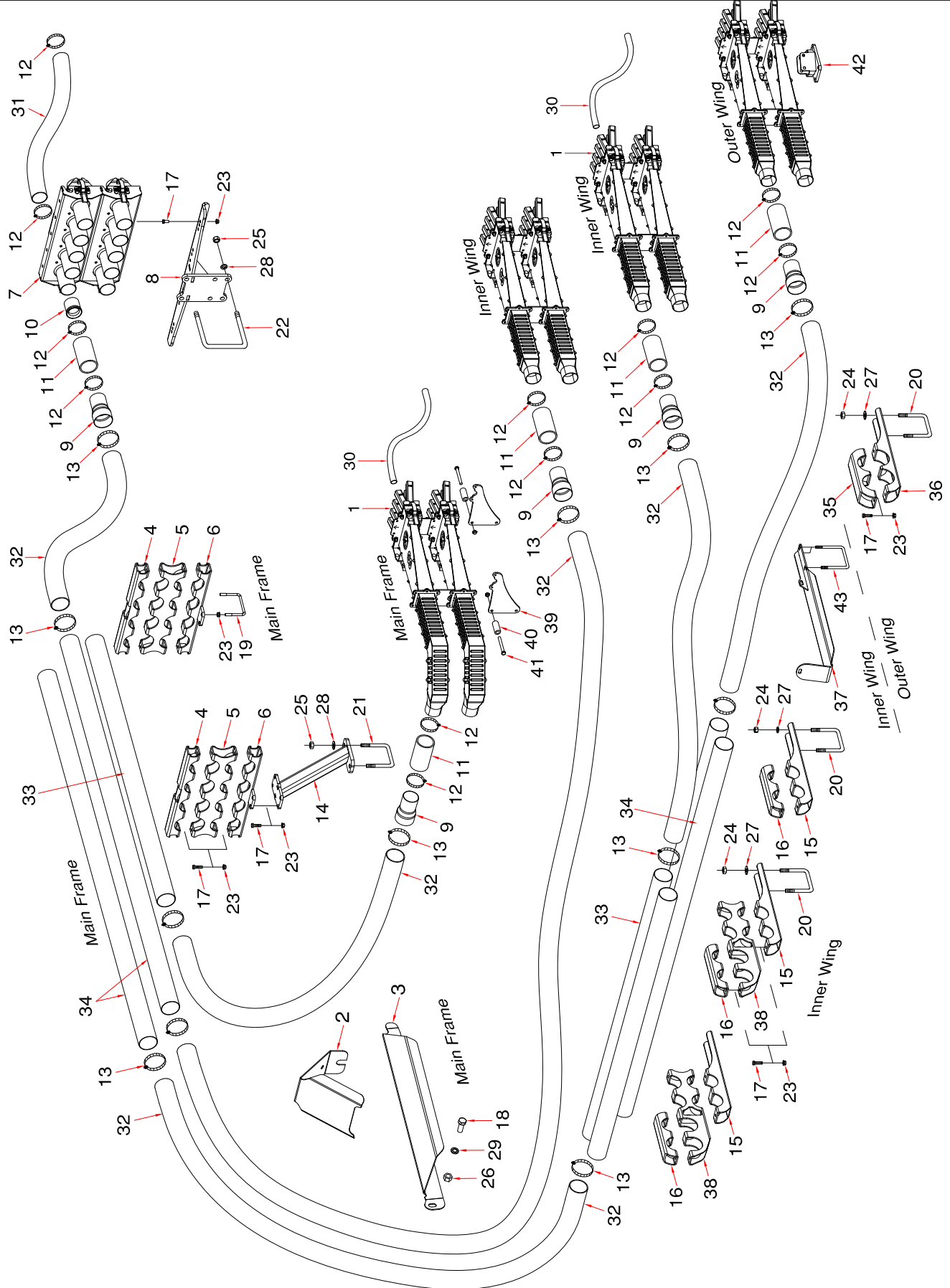
Dual Shoot - Tow Behind 50 ft - 15m - 7 primaries - 10 and 12 inch (250 - 300mm) Spacing



Dual Shoot Tow Behind - 50 ft - 15m - 7 primaries

Item	Part No.	Description	Qty
		For 10 and 12 inch - 250mm and 300mm spacing	
1	*****	Divider Head Assembly (Refer to Divider Head Assembly for details)	
2	S67250	Primary Hose Deflector	2
3	S66430	Primary Hose Hose Suport - Main - Left side (shown)	1
	S66435	Primary Hose Hose Suport - Main - Right side	1
4	N66321	Distribution Pipe Clamp - Main	4
5	N66322	Distribution Pipe Spacer - Main	4
6	N66335	Distribution Pipe Clamp Bracket - Main	4
7	*****	Quick Coupler - 5 Run (Refer to Quick Coupler Assembly for details)	4
8	N53203	Coupler Tower - Behind	1
9	N64095	Primary Hose Adapter	28
10	*****		
11	N19428	Hose - 2.54 ID x 2.79 OD x 5 Lg.....	28
12	N11905	Hose Clamp - 2 1/2 - HC5-44 (Air Cart side uses 28)	84
13	N64099	Hose Clamp - 3 - SSTCH5-400	68
14	N66325	Distribution Pipe Stand - Main	2
15	N66339	Distribution Pipe Support Bracket - 2 pipe - Wing	4
16	N66359	Distribution Pipe Clamp - 2 pipe - Wing	4
17	W-187	Hex Bolt - 3/8 x 1 1/4 Lg.....	48
18	BW-10	Hex Bolt - 3/4 x 1 3/4 Lg.....	2
19	D-4932	U-Bolt - 3/8 x 4 1/8 x 3 UL.....	4
20	C-3932	U-Bolt - 1/2 x 4 x 7 1/4 UL.....	12
21	S39649	U-Bolt - 5/8 x 4 x 7 3/4 UL.....	2
22	F-4642	U-Bolt - 5/8 x 6 x 5 1/2 UL.....	2
23	S27987	Locknut - 3/8 Serrated.....	56
24	W-516	Nut - 1/2	24
25	W-517	Nut - 5/8	8
26	W-518	Nut - 3/4	2
27	W-525	Lockwasher - 1/2.....	24
28	W-526	Lockwasher - 5/8.....	8
29	W-527	Lockwasher - 3/4.....	2
30	R480034	Hose - .929 ID x 1.169 OD/ft (75 ft roll) . . . 10"SP-1350 ft . . . 12"SP-1125 ft	
31	R480055	Hose - 2 1/2 ID/ft Goodyear (100 ft rolls) (Air Cart side of couplers)	300
32	R480060	Hose - 3 ID/ft (100 ft rolls)	300
33	N66396	Primary Pipe SS - 3 x 48 Lg.....	4
34	N64092	Primary Pipe SS - 3 x 72 Lg.....	4
35	N64094	Primary Pipe SS - 3 x 96 Lg.....	12
36	N66358	Distribution Pipe Spacer - 2 pipe - Wing	4
37	N67295	Primary Hose Guide Plate - Wing	2
38	N66374	Distribution Hose Clamp - Wing - 3 5/8 Dia	2
39	N66375	Distribution Hose Support Bracket - Wing - 3 5/8 Dia	2
40	S65390	Divider Head Pedestal - Main Frame	1
41	N67202	Head Mounting Bracket - 30 Degree - Right (shown)	1
41A	N67200	Head Mounting Bracket - 30 Degree - Left.....	1

Dual Shoot - Tow Behind 60 ft - 18m - 8 primaries - 10, 12 and 15 inch (250 - 300 - 380mm) Spacing



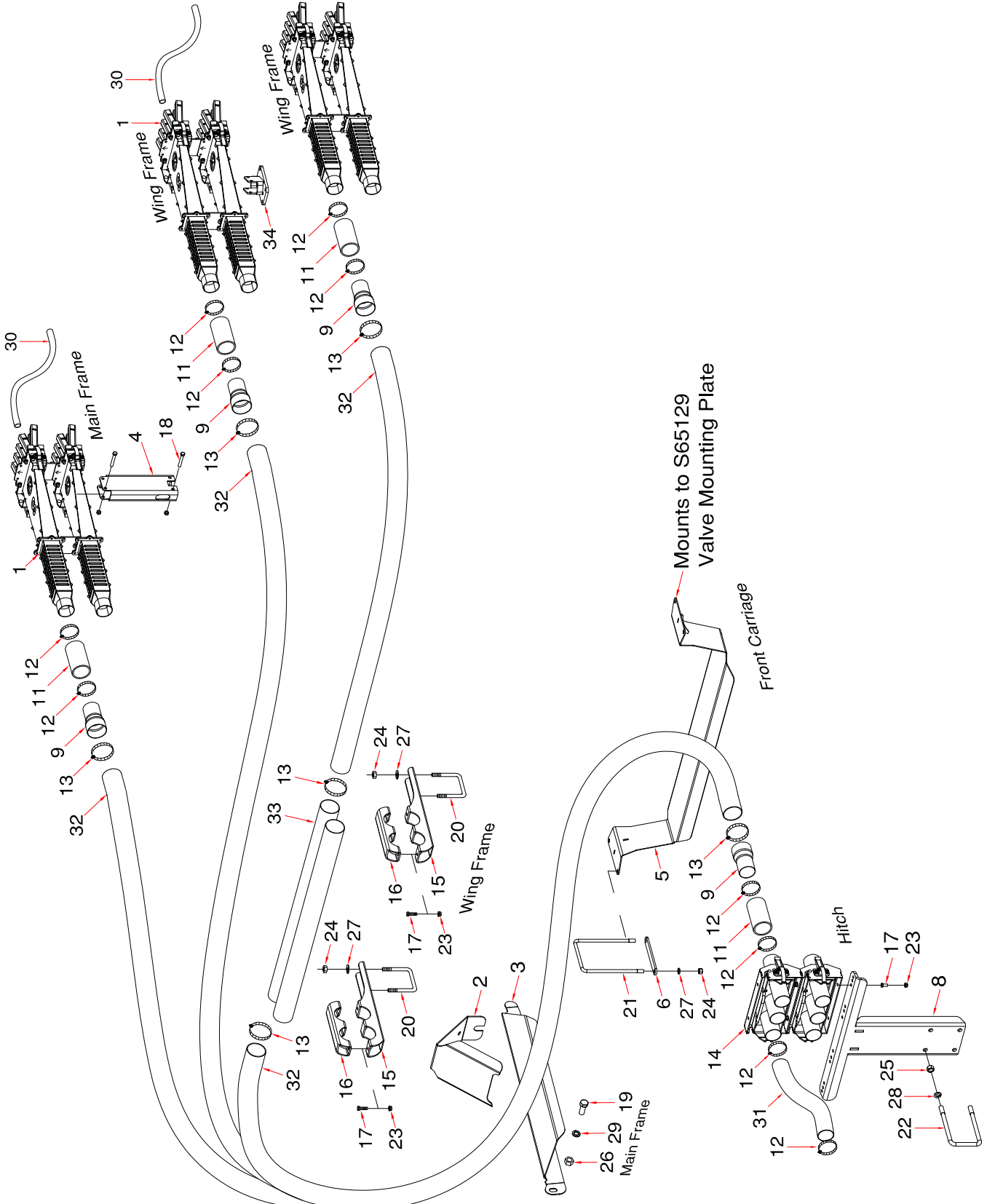
Dual Shoot Tow Behind - 60 ft - 18m - 8 primaries

Item	Part No.	Description	Qty
		For 10, 12 and 15 inch - 250mm, 300mm and 380mm spacing	
1	*****	Divider Head Assembly (Refer to Divider Head Assembly for details)	
2	S67250	Primary Hose Deflector	2
3	S66430	Primary Hose Hose Suport - Main - Left side (shown)	1
	S66435	Primary Hose Hose Suport - Main - Right side	1
4	N66321	Distribution Pipe Clamp - Main	4
5	N66322	Distribution Pipe Spacer - Main	4
6	N66335	Distribution Pipe Clamp Bracket - Main	4
7	*****	Quick Coupler - 5 Run (Refer to Quick Coupler Assembly for details)	4
8	N53203	Coupler Tower - Behind	1
9	N64095	Primary Hose Adapter	32
10	N37920	Equalizer	4
11	N19428	Hose - 2.54 ID x 2.79 OD x 5 Lg.....	32
12	N11905	Hose Clamp - 2 1/2 - HC5-44 (Air Cart side uses 32).....	96
13	N64099	Hose Clamp - 3 - SSTCH5-400	80
14	N66325	Distribution Pipe Stand - Main	2
15	N66339	Distribution Pipe Support Bracket - 2 pipe - Wing - Wing	6
16	N66359	Distribution Pipe Clamp - 2 pipe - Wing - Wing	6
17	W-187	Hex Bolt - 3/8 x 1 1/4 Lg.....	52
18	BW-10	Hex Bolt - 3/4 x 1 3/4 Lg.....	2
19	D-4932	U-Bolt - 3/8 x 4 1/8 x 3 UL.....	4
20	C-3932	U-Bolt - 1/2 x 4 x 7 1/4 UL.....	8
21	S39649	U-Bolt - 5/8 x 4 x 7 3/4 UL.....	2
22	F-4642	U-Bolt - 5/8 x 6 x 5 1/2 UL.....	2
23	S27987	Locknut - 3/8 Serrated.....	60
24	W-516	Nut - 1/2	16
25	W-517	Nut - 5/8	8
26	W-518	Nut - 3/4	2
27	W-525	Lockwasher - 1/2.....	16
28	W-526	Lockwasher - 5/8.....	8
29	W-527	Lockwasher - 3/4.....	2
30	R480034	Hose - .929 ID x 1.169 OD/ft (75 ft roll) 10"SP-1650 ft . . 12"SP-1350 ft . . 15"SP-1125 ft	
31	R480055	Hose - 2 1/2 ID/ft Goodyear (100 ft rolls) (Air Cart side of couplers)	325
32	R480060	Hose - 3 ID/ft (100 ft rolls)	275
33	N64092	Primary Pipe SS - 3 x 72 Lg.....	8
34	N64094	Primary Pipe SS - 3 x 96 Lg.....	16
35	N66374	Distribution Hose Clamp - Wing - 3 5/8 Dia	2
36	N66375	Distribution Hose Support Bracket - Wing - 3 5/8 Dia	2
37	N66395	Primary Hose Guide Plate - Wing	2
38	N66775	Distribution Pipe Spacer - 6 pipe - Wing	4
39	S65382	Head Mounting Plate - Main	4
40	N50842	Bushings - .385 ID x 5/8 OD x 3 1/4 Lg	8
41	S-1299	Hex Bolt - 3/8 x 4 1/2 Lg.....	8
42	N67200	Head Mounting Bracket - 30 Degree - Left (shown)	1
42A	N67202	Head Mounting Bracket - 30 Degree - Right	1
43	N19723	U-Bolt - 3/8 x 4 1/16 x 6 15/16 UL	8

Dual Shoot Tow Behind - 70 ft - 21m - 9 primaries

Item	Part No.	Description	Qty
		For 10, 12 and 15 inch - 250mm, 300mm and 380mm spacing	
1	*****	Divider Head Assembly (Refer to Divider Head Assembly for details)	
2	S67250	Primary Hose Deflector	2
3	S66430	Primary Hose Hose Suport - Main - Left side (shown)	1
	S66435	Primary Hose Hose Suport - Main - Right side	1
4	N66321	Distribution Pipe Clamp - Main	4
5	N66322	Distribution Pipe Spacer - Main	4
6	N66335	Distribution Pipe Clamp Bracket - Main	4
7	*****	Quick Coupler - 5 Run (Refer to Quick Coupler Assembly for details)	4
8	N53203	Coupler Tower - Behind	1
9	N64095	Primary Hose Adapter	36
10	N37920	Equalizer	8
11	N19428	Hose - 2.54 ID x 2.79 OD x 5 Lg.....	36
12	N11905	Hose Clamp - 2 1/2 - HC5-44 (Air Cart side uses 36).....	108
13	N64099	Hose Clamp - 3 - SSTCH5-400	112
14	N66325	Distribution Pipe Stand - Main	2
15	N66339	Distribution Pipe Support Bracket - Wing	10
16	N66359	Distribution Pipe Clamp - Wing	4
17	W-187	Hex Bolt - 3/8 x 1 1/4 Lg.....	64
18	BW-10	Hex Bolt - 3/4 x 1 3/4 Lg.....	2
19	D-4932	U-Bolt - 3/8 x 4 1/8 x 3 UL.....	4
20	C-3932	U-Bolt - 1/2 x 4 x 7 1/4 UL.....	10
21	S39649	U-Bolt - 5/8 x 4 x 7 3/4 UL.....	2
22	F-4642	U-Bolt - 5/8 x 6 x 5 1/2 UL.....	2
23	S27987	Locknut - 3/8 Serrated.....	72
24	W-516	Nut - 1/2	20
25	W-517	Nut - 5/8	8
26	W-518	Nut - 3/4	2
27	W-525	Lockwasher - 1/2.....	20
28	W-526	Lockwasher - 5/8.....	8
29	W-527	Lockwasher - 3/4.....	2
30	R480034	Hose - .929 ID x 1.169 OD/ft (75 ft roll) 10"SP-1875 ft . . 12"SP-1500 ft . . 15"SP-1275 ft	
31	R480055	Hose - 2 1/2 ID/ft Goodyear (100 ft rolls) (Air Cart side of couplers)	375
32	R480060	Hose - 3 ID/ft (100 ft rolls)	350
33	N66396	Primary Pipe SS - 3 x 48 Lg.....	4
34	N64092	Primary Pipe SS - 3 x 72 Lg.....	8
35	N64094	Primary Pipe SS - 3 x 96 Lg.....	12
36	N64096	Primary Pipe SS - 3 x 120 Lg.....	8
37	N66395	Primary Hose Guide Plate.....	2
38	N66775	Distribution Pipe Spacer - 6 pipe - Wing	6
39	N66855	Distribution Pipe Clamp - 2 pipe - Wing	2
40	N66860	Distribution Pipe Clamp - 4 pipe - Wing	4
41	S65390	Divider Head Pedestal - Main Frame	1
42	N67640	Head Mounting Bracket - Straight	2
43	N19723	U-Bolt - 3/8 x 4 1/16 x 6 15/16 UL	8

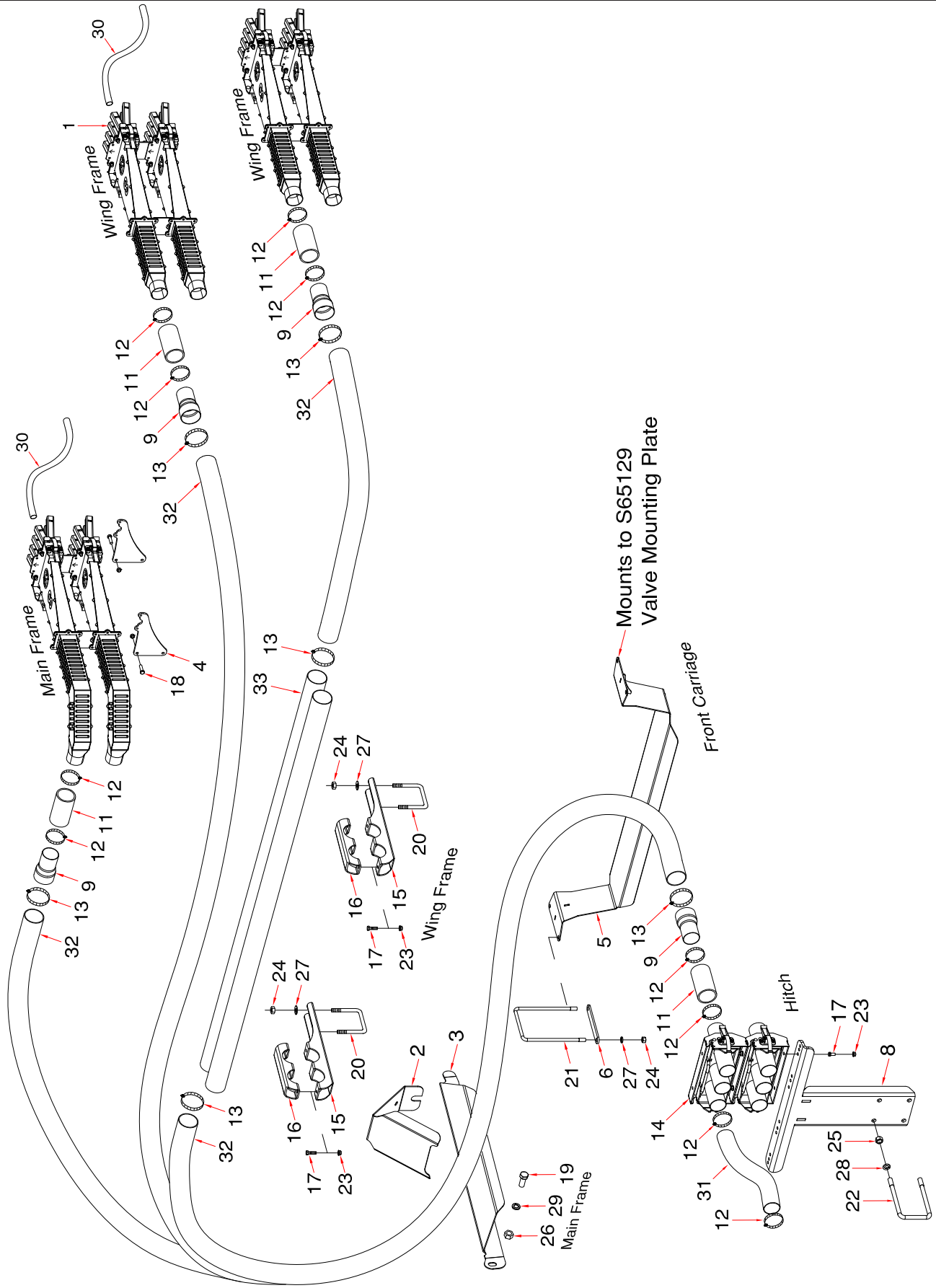
Dual Shot - Tow Between 40 ft - 12m - 5 primaries - 12 and 15 inch (300 - 380mm) Spacing



Dual Shoot Tow Between - 40 ft - 12m - 5 primaries

Item	Part No.	Description	Qty
		For 12 and 15 inch - 300mm and 380mm spacing	
1	*****	Divider Head Assembly (Refer to Divider Head Assembly for details)	
2	S67250	Primary Hose Deflector	2
3	S66430	Primary Hose Hose Suport - Main - Left side (shown)	1
	S66435	Primary Hose Hose Suport - Main - Right side	1
4	S65390	Divider Head Pedestal - Main Frame	1
5	N67245	Primary Hose Hose Suport - Between	1
6	N67274	Spacer Plate	1
7	N67275	Kit - Primary Hose Hose Suport - Between (Includes items 5, 6, 21, 24 and 27)	
8	N66234	Coupler Tower - Between	1
9	N64095	Primary Hose Adapter	20
10	*****		
11	N19428	Hose - 2.54 ID x 2.79 OD x 5 Lg.....	20
12	N11905	Hose Clamp - 2 1/2 - HC5-44 (Air Cart side uses 20).....	60
13	N64099	Hose Clamp - 3 - SSTCH5-400	28
14	*****	Quick Coupler - 5 Run (Refer to Quick Coupler Assembly for details)	2
15	N66339	Distribution Pipe Support Bracket - 2 pipe - Wing	4
16	N66359	Distribution Pipe Clamp - 2 pipe - Wing	4
17	W-187	Hex Bolt - 3/8 x 1 1/4 Lg.....	12
18	W-480	Hex Bolt - 3/8 x 2 1/2 Lg (Refer to Divider Head Assembly for details)	2
19	BW-10	Hex Bolt - 3/4 x 1 3/4 Lg.....	2
20	C-3932	U-Bolt - 1/2 x 4 x 7 1/4 UL.....	4
21	H25628	U-Bolt - 1/2 x 6 1/16 x 9 3/8 UL.....	1
22	S39649	U-Bolt - 5/8 x 4 x 7 3/4 UL.....	2
23	S27987	Locknut - 3/8 Serrated.....	12
24	W-516	Nut - 1/2	6
25	W-517	Nut - 5/8	4
26	W-518	Nut - 3/4	2
27	W-525	Lockwasher - 1/2.....	6
28	W-526	Lockwasher - 5/8.....	4
29	W-527	Lockwasher - 3/4.....	2
30	R480034	Hose - .929 ID x 1.169 OD/ft (75 ft roll) . . 12"SP-900 ft . . 15"SP-750 ft	
31	R480055	Hose - 2 1/2 ID/ft Goodyear (100 ft rolls) (Air Cart side of couplers)	140
32	R480060	Hose - 3 ID/ft (100 ft rolls)	200
33	N66396	Primary Pipe SS - 3 x 48 Lg.....	4
34	N67202	Head Mounting Bracket - 30 Degree - Right (shown)	1
34A	N67200	Head Mounting Bracket - 30 Degree - Left.....	1

**Dual Shot - Tow Between
40 ft - 12m - 6 primaries - 10 inch (250mm) Spacing**



Dual Shoot Tow Between - 40 ft - 12m - 6 primaries

Item	Part No.	Description	Qty
		For 10 - 250mm spacing	
1	*****	Divider Head Assembly (Refer to Divider Head Assembly for details)	
2	S67250	Primary Hose Deflector	2
3	S66430	Primary Hose Hose Suport - Main - Left side (shown)	1
	S66435	Primary Hose Hose Suport - Main - Right side	1
4	S65382	Head Mounting Plate - Main	4
5	N67245	Primary Hose Hose Suport - Between	1
6	N67274	Spacer Plate	1
7	N67275	Kit - Primary Hose Hose Suport - Between (Includes items 5, 6, 21, 24 and 27)	
8	N66234	Coupler Tower - Between	1
9	N64095	Primary Hose Adapter	12
10	*****		
11	N19428	Hose - 2.54 ID x 2.79 OD x 5 Lg.....	12
12	N11905	Hose Clamp - 2 1/2 - HC5-44 (Air Cart side uses 24).....	72
13	N64099	Hose Clamp - 3 - SSTCH5-400	32
14	*****	Quick Coupler - 3 Run (Refer to Quick Coupler Assembly for details)	4
15	N66339	Distribution Pipe Support Bracket - 2 pipe - Wing	4
16	N66359	Distribution Pipe Clamp - 2 pipe - Wing	4
17	W-187	Hex Bolt - 3/8 x 1 1/4 Lg.....	12
18	W-187	Hex Bolt - 3/8 x 1 1/4 Lg (Refer to Divider Head Assembly for details)	8
19	BW-10	Hex Bolt - 3/4 x 1 3/4 Lg.....	2
20	C-3932	U-Bolt - 1/2 x 4 x 7 1/4 UL.....	4
21	H25628	U-Bolt - 1/2 x 6 1/16 x 9 3/8 UL.....	1
22	S39649	U-Bolt - 5/8 x 4 x 7 3/4 UL.....	2
23	S27987	Locknut - 3/8 Serrated.....	12
24	W-516	Nut - 1/2	6
25	W-517	Nut - 5/8	4
26	W-518	Nut - 3/4	2
27	W-525	Lockwasher - 1/2.....	6
28	W-526	Lockwasher - 5/8.....	4
29	W-527	Lockwasher - 3/4.....	2
30	R480034	Hose - .929 ID x 1.169 OD/ft (75 ft roll) . . 10"SP-1125 ft.....	1125
31	R480055	Hose - 2 1/2 ID/ft Goodyear (100 ft rolls) (Air Cart side of couplers)	175
32	R480060	Hose - 3 ID/ft (100 ft rolls)	225
33	N64094	Primary Pipe SS - 3 x 96 Lg.....	4

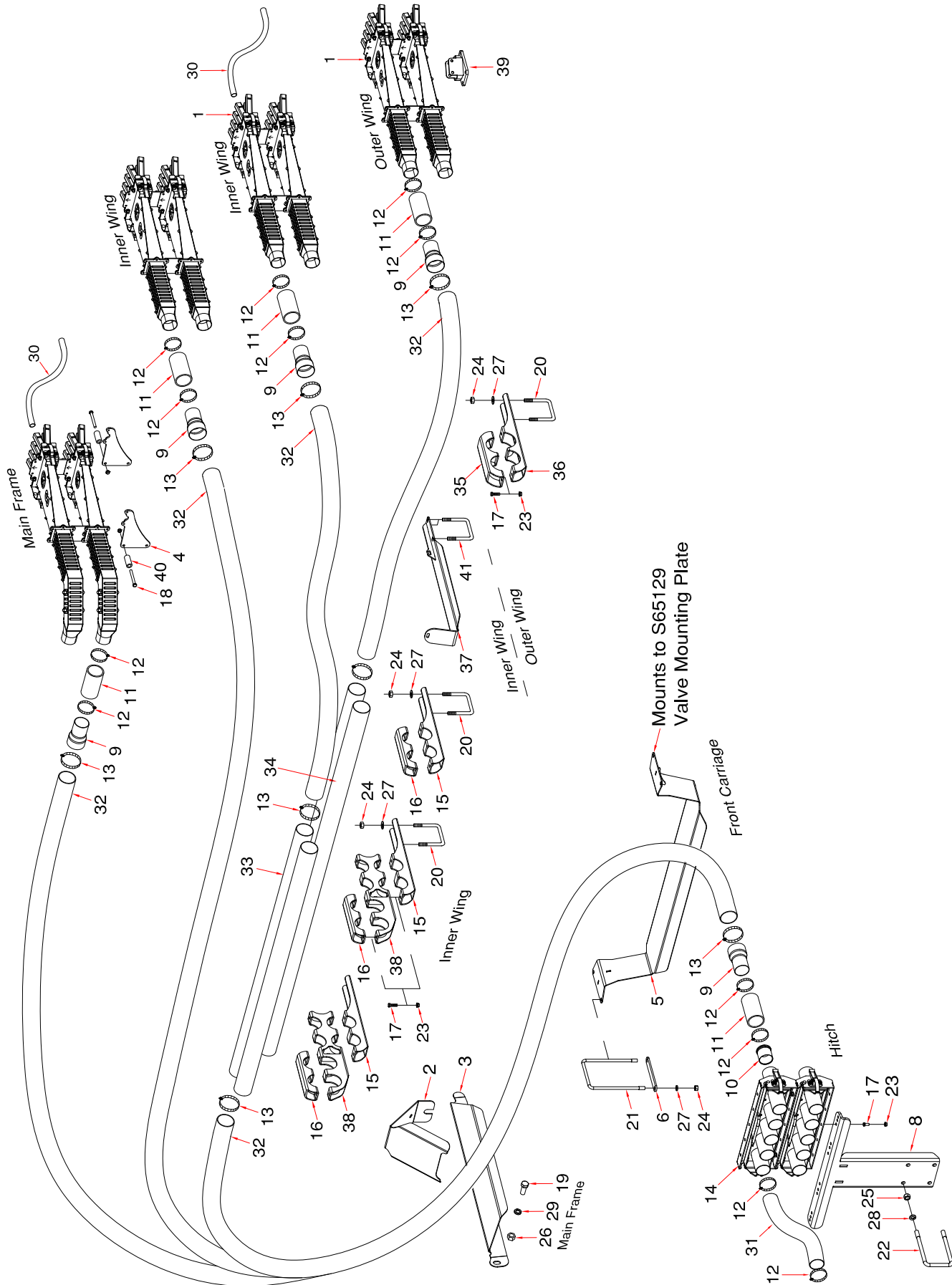
Dual Shoot Tow Between - 50 ft - 15m - 6 primaries

Item	Part No.	Description	Qty
		For 15 inch - 380mm spacing	
1	*****	Divider Head Assembly (Refer to Divider Head Assembly for details)	
2	S67250	Primary Hose Deflector	2
3	S66430	Primary Hose Hose Suport - Main - Left side (shown)	1
	S66435	Primary Hose Hose Suport - Main - Right side	1
4	S65382	Head Mounting Plate - Main	4
5	N67245	Primary Hose Hose Suport - Between	1
6	N67274	Spacer Plate	1
7	N67275	Kit - Primary Hose Hose Suport - Between (Includes items 5, 6, 21, 24 and 27)	
8	N66234	Coupler Tower - Between	1
9	N64095	Primary Hose Adapter	12
10	*****		
11	N19428	Hose - 2.54 ID x 2.79 OD x 5 Lg.....	12
12	N11905	Hose Clamp - 2 1/2 - HC5-44 (Air Cart side uses 24).....	72
13	N64099	Hose Clamp - 3 - SSTCH5-400	40
14	*****	Quick Coupler - 3 Run (Refer to Quick Coupler Assembly for details)	4
15	N66339	Distribution Pipe Support Bracket - 2 pipe - Wing	4
16	N66359	Distribution Pipe Clamp - 2 pipe - Wing	4
17	W-187	Hex Bolt - 3/8 x 1 1/4 Lg.....	20
18	W-187	Hex Bolt - 3/8 x 1 1/4 Lg (Refer to Divider Head Assembly for details)	8
19	BW-10	Hex Bolt - 3/4 x 1 3/4 Lg.....	2
20	C-3932	U-Bolt - 1/2 x 4 x 7 1/4 UL.....	4
21	H25628	U-Bolt - 1/2 x 6 1/16 x 9 3/8 UL.....	1
22	S39649	U-Bolt - 5/8 x 4 x 7 3/4 UL.....	2
23	S27987	Locknut - 3/8 Serrated.....	20
24	W-516	Nut - 1/2	6
25	W-517	Nut - 5/8	4
26	W-518	Nut - 3/4	2
27	W-525	Lockwasher - 1/2.....	6
28	W-526	Lockwasher - 5/8.....	4
29	W-527	Lockwasher - 3/4.....	2
30	R480034	Hose - .929 ID x 1.169 OD/ft (75 ft roll)	900
31	R480055	Hose - 2 1/2 ID/ft Goodyear (100 ft rolls) (Air Cart side of couplers)	175
32	R480060	Hose - 3 ID/ft (100 ft rolls)	225
33	N66396	Primary Pipe SS - 3 x 48 Lg.....	4
34	N64094	Primary Pipe SS - 3 x 96 Lg.....	4
35	N66358	Distribution Pipe Spacer - 2 pipe - Wing	4
36	N67202	Head Mounting Bracket - 30 Degree - Right (shown)	1
36A	N67200	Head Mounting Bracket - 30 Degree - Left.....	1

Dual Shoot Tow Between - 50 ft - 15m - 7 primaries

Item	Part No.	Description	Qty
		For 10 and 12 inch - 250mm and 300mm spacing	
1	*****	Divider Head Assembly (Refer to Divider Head Assembly for details)	
2	S67250	Primary Hose Deflector	2
3	S66430	Primary Hose Hose Suport - Main - Left side (shown)	1
	S66435	Primary Hose Hose Suport - Main - Right side	1
4	S65390	Divider Head Pedestal - Main Frame	1
5	N67245	Primary Hose Hose Suport - Between	1
6	N67274	Spacer Plate	1
7	N67275	Kit - Primary Hose Hose Suport - Between (Includes items 5, 6, 21, 24 and 27)	
8	N66234	Coupler Tower - Between	1
9	N64095	Primary Hose Adapter	14
10	*****		
11	N19428	Hose - 2.54 ID x 2.79 OD x 5 Lg.....	14
12	N11905	Hose Clamp - 2 1/2 - HC5-44 (Air Cart side uses 28).....	84
13	N64099	Hose Clamp - 3 - SSTCH5-400	44
14	*****	Quick Coupler - 5 Run (Refer to Quick Coupler Assembly for details)	4
15	N66339	Distribution Pipe Support Bracket - 2 pipe - Wing	4
16	N66359	Distribution Pipe Clamp - 2 pipe - Wing	4
17	W-187	Hex Bolt - 3/8 x 1 1/4 Lg.....	24
18	W-480	Hex Bolt - 3/8 x 2 1/2 Lg (Refer to Divider Head Assembly for details)	2
19	BW-10	Hex Bolt - 3/4 x 1 3/4 Lg.....	2
20	C-3932	U-Bolt - 1/2 x 4 x 7 1/4 UL.....	6
21	H25628	U-Bolt - 1/2 x 6 1/16 x 9 3/8 UL.....	1
22	S39649	U-Bolt - 5/8 x 4 x 7 3/4 UL.....	2
23	S27987	Locknut - 3/8 Serrated.....	24
24	W-516	Nut - 1/2	14
25	W-517	Nut - 5/8	4
26	W-518	Nut - 3/4	2
27	W-525	Lockwasher - 1/2.....	14
28	W-526	Lockwasher - 5/8.....	4
29	W-527	Lockwasher - 3/4.....	2
30	R480034	Hose - .929 ID x 1.169 OD/ft (75 ft roll) 10"SP-1350 ft . . 12"SP-1125 ft . .	
31	R480055	Hose - 2 1/2 ID/ft Goodyear (100 ft rolls) (Air Cart side of couplers)	200
32	R480060	Hose - 3 ID/ft (100 ft rolls)	300
33	N66396	Primary Pipe SS - 3 x 48 Lg.....	4
34	N64094	Primary Pipe SS - 3 x 96 Lg.....	4
35	N66358	Distribution Pipe Spacer - 2 pipe - Wing	4
36	N67295	Primary Hose Guide Plate - Wing	2
37	N66374	Distribution Hose Clamp - Wing - 3 5/8 Dia	2
38	N66375	Distribution Hose Support Bracket - Wing - 3 5/8 Dia	2
39	N67202	Head Mounting Bracket - 30 Degree - Right (shown)	2
39A	N67200	Head Mounting Bracket - 30 Degree - Left.....	2

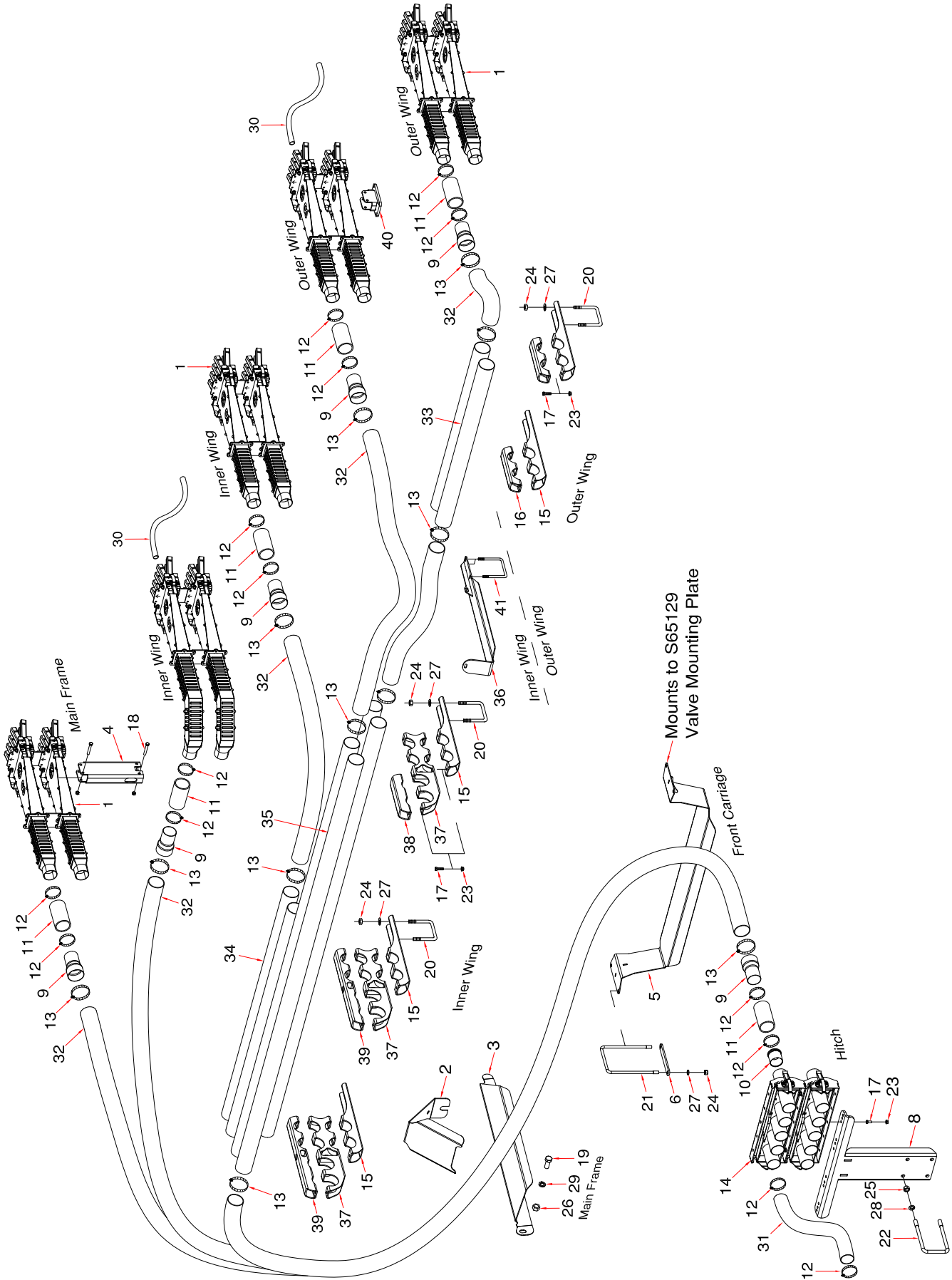
Dual Shot - Tow Between 60 ft - 18m - 8 primaries - 10, 12 and 15 inch (250 - 300 - 380mm) Spacing



Dual Shoot Tow Between - 60 ft - 18m - 8 primaries

Item	Part No.	Description	Qty
		For 10, 12 and 15 inch - 250mm, 300mm and 380mm spacing	
1	*****	Divider Head Assembly (Refer to Divider Head Assembly for details)	
2	S67250	Primary Hose Deflector	2
3	S66430	Primary Hose Hose Suport - Main - Left side (shown)	1
	S66435	Primary Hose Hose Suport - Main - Right side	1
4	S65382	Head Mounting Plate - Main	4
5	N67245	Primary Hose Hose Suport - Between	1
6	N67274	Spacer Plate	1
7	N67275	Kit - Primary Hose Hose Suport - Between (Includes items 5, 6, 21, 24 and 27)	
8	N66234	Coupler Tower - Between	1
9	N64095	Primary Hose Adapter	16
10	N37920	Equalizer	4
11	N19428	Hose - 2.54 ID x 2.79 OD x 5 Lg.....	16
12	N11905	Hose Clamp - 2 1/2 - HC5-44 (Air Cart side uses 32).....	96
13	N64099	Hose Clamp - 3 - SSTCH5-400	48
14	*****	Quick Coupler - 5 Run (Refer to Quick Coupler Assembly for details)	4
15	N66339	Distribution Pipe Support Bracket - 2 pipe - Wing - Wing	6
16	N66359	Distribution Pipe Clamp - 2 pipe - Wing - Wing	6
17	W-187	Hex Bolt - 3/8 x 1 1/4 Lg.....	28
18	S-1299	Hex Bolt - 3/8 x 4 1/2 Lg (Refer to Divider Head Assembly for details)	8
19	BW-10	Hex Bolt - 3/4 x 1 3/4 Lg.....	2
20	C-3932	U-Bolt - 1/2 x 4 x 7 1/4 UL.....	8
21	H25628	U-Bolt - 1/2 x 6 1/16 x 9 3/8 UL.....	1
22	S39649	U-Bolt - 5/8 x 4 x 7 3/4 UL.....	2
23	S27987	Locknut - 3/8 Serrated.....	28
24	W-516	Nut - 1/2	18
25	W-517	Nut - 5/8	4
26	W-518	Nut - 3/4	2
27	W-525	Lockwasher - 1/2.....	18
28	W-526	Lockwasher - 5/8.....	4
29	W-527	Lockwasher - 3/4.....	2
30	R480034	Hose - .929 ID x 1.169 OD/ft (75 ft roll) 10"SP-1650 ft . . 12"SP-1350 ft . . 15"SP-1125 ft	
31	R480055	Hose - 2 1/2 ID/ft Goodyear (100 ft rolls) (Air Cart side of couplers)	225
32	R480060	Hose - 3 ID/ft (100 ft rolls)	325
33	N66092	Primary Pipe SS - 3 x 72 Lg.....	4
34	N64094	Primary Pipe SS - 3 x 96 Lg.....	4
35	N66374	Distribution Hose Clamp - Wing - 3 5/8 Dia	2
36	N66375	Distribution Hose Support Bracket - Wing - 3 5/8 Dia	2
37	N66395	Primary Hose Guide Plate - Wing	2
38	N66775	Distribution Pipe Spacer - 6 pipe - Wing	4
39	N67200	Head Mounting Bracket - 30 Degree - Left (shown)	1
39A	N67202	Head Mounting Bracket - 30 Degree - Right	1
40	N50842	Bushings - .385 ID x 5/8 OD x 3 1/4 Lg	8
41	N19723	U-Bolt - 3/8 x 4 1/16 x 6 15/16 UL	8

**Dual Shot - Tow Between
70 ft - 21m - 9 primaries - 10, 12 and 15 inch (250 - 300 - 380mm) Spacing**



Distribution - Dual Shoot Tow Between - 70 ft - 21m - 9 primaries

Item	Part No.	Description	Qty
		For 10, 12 and 15 inch - 250mm, 300mm and 380mm spacing	
1	*****	Divider Head Assembly (Refer to Divider Head Assembly for details)	
2	S67250	Primary Hose Deflector	2
3	S66430	Primary Hose Hose Suport - Main - Left side (shown)	1
	S66435	Primary Hose Hose Suport - Main - Right side	1
4	S65390	Divider Head Pedestal - Main Frame	1
5	N67245	Primary Hose Hose Suport - Between	1
6	N67274	Spacer Plate	1
7	N67275	Kit - Primary Hose Hose Suport - Between (Includes items 5, 6, 21, 24 and 27)	
8	N66234	Coupler Tower - Between	1
9	N64095	Primary Hose Adapter	18
10	N37920	Equalizer	8
11	N19428	Hose - 2.54 ID x 2.79 OD x 5 Lg.....	18
12	N11905	Hose Clamp - 2 1/2 - HC5-44 (Air Cart side uses 36).....	108
13	N64099	Hose Clamp - 3 - SSTCH5-400	68
14	*****	Quick Coupler - 5 Run (Refer to Quick Coupler Assembly for details)	4
15	N66339	Distribution Pipe Support Bracket - Wing	10
16	N66359	Distribution Pipe Clamp - Wing	4
17	W-187	Hex Bolt - 3/8 x 1 1/4 Lg.....	40
18	W-480	Hex Bolt - 3/8 x 2 1/2 Lg (Refer to Divider Head Assembly for details)	2
19	BW-10	Hex Bolt - 3/4 x 1 3/4 Lg.....	2
20	C-3932	U-Bolt - 1/2 x 4 x 7 1/4 UL.....	10
21	H25628	U-Bolt - 1/2 x 6 1/16 x 9 3/8 UL.....	1
22	S39649	U-Bolt - 5/8 x 4 x 7 3/4 UL.....	2
23	S27987	Locknut - 3/8 Serrated.....	40
24	W-516	Hex Nut - 1/2	22
25	W-517	Hex Nut - 5/8	4
26	W-518	Hex Nut - 3/4	2
27	W-525	Lockwasher - 1/2.....	22
28	W-526	Lockwasher - 5/8.....	4
29	W-527	Lockwasher - 3/4.....	2
30	R480034	Hose - .929 ID x 1.169 OD/ft (75 ft roll) 10"SP-1875 ft . . 12"SP-1500 ft . . 15"SP-1275 ft	
31	R480055	Hose - 2 1/2 ID/ft Goodyear (100 ft rolls) (Air Cart side of couplers)	250
32	R480060	Hose - 3 ID/ft (100 ft rolls)	400
33	N66396	Primary Pipe SS - 3 x 48 Lg.....	4
34	N64092	Primary Pipe SS - 3 x 72 Lg.....	4
35	N64096	Primary Pipe SS - 3 x 120 Lg.....	8
36	N66395	Primary Hose Guide Plate.....	2
37	N66775	Distribution Pipe Spacer - 6 pipe - Wing	6
38	N66855	Distribution Pipe Clamp - 2 pipe - Wing	2
39	N66860	Distribution Pipe Clamp - 4 pipe - Wing	4
40	N67640	Head Mounting Bracket - Straight	2
41	N19723	U-Bolt - 3/8 x 4 1/16 x 6 15/16 UL	8

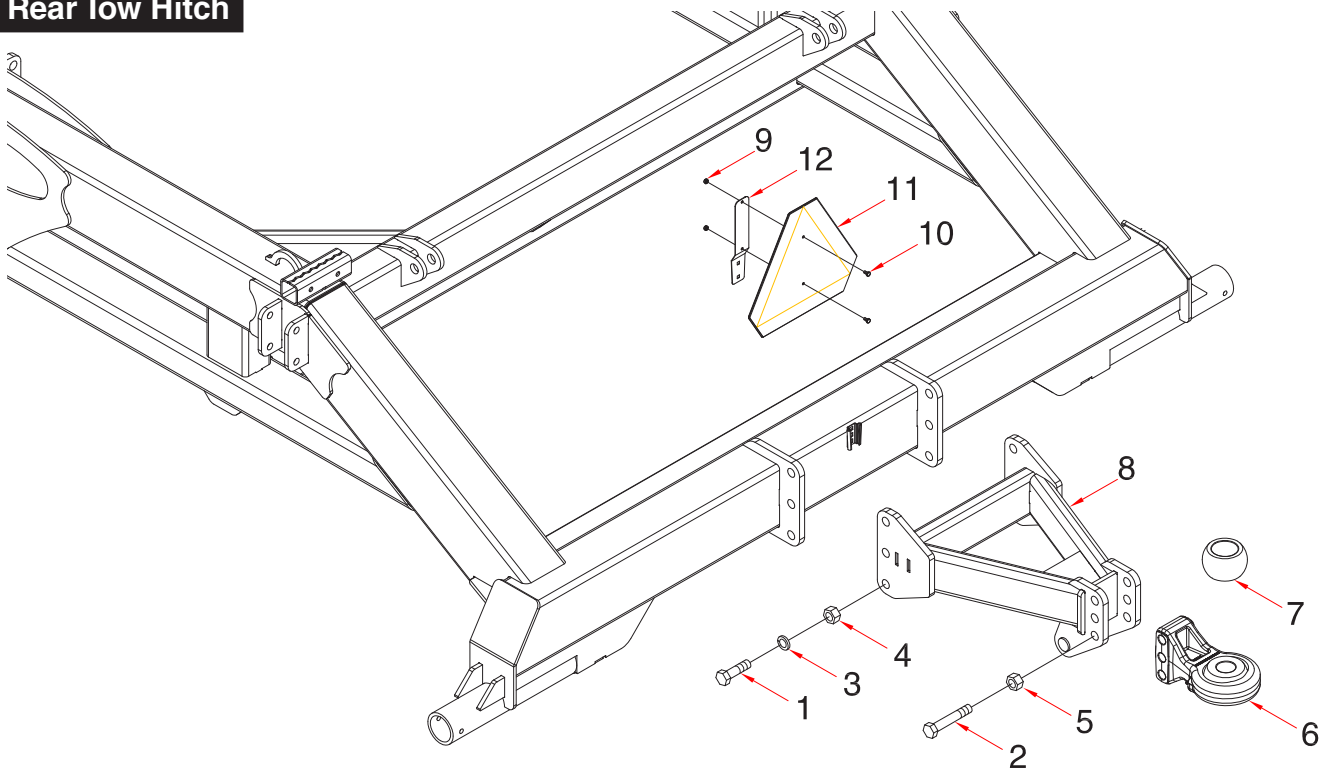
Section 6: Options

Section Contents

Rear Tow Hitch	6-2
Remote Clutch Switch	6-3
4th Row Kit	6-4
40 ft - 12m	6-4
50 ft - 15m	6-6
60 ft - 18m	6-8
70 ft - 21m	6-10
Weight Kit	6-12

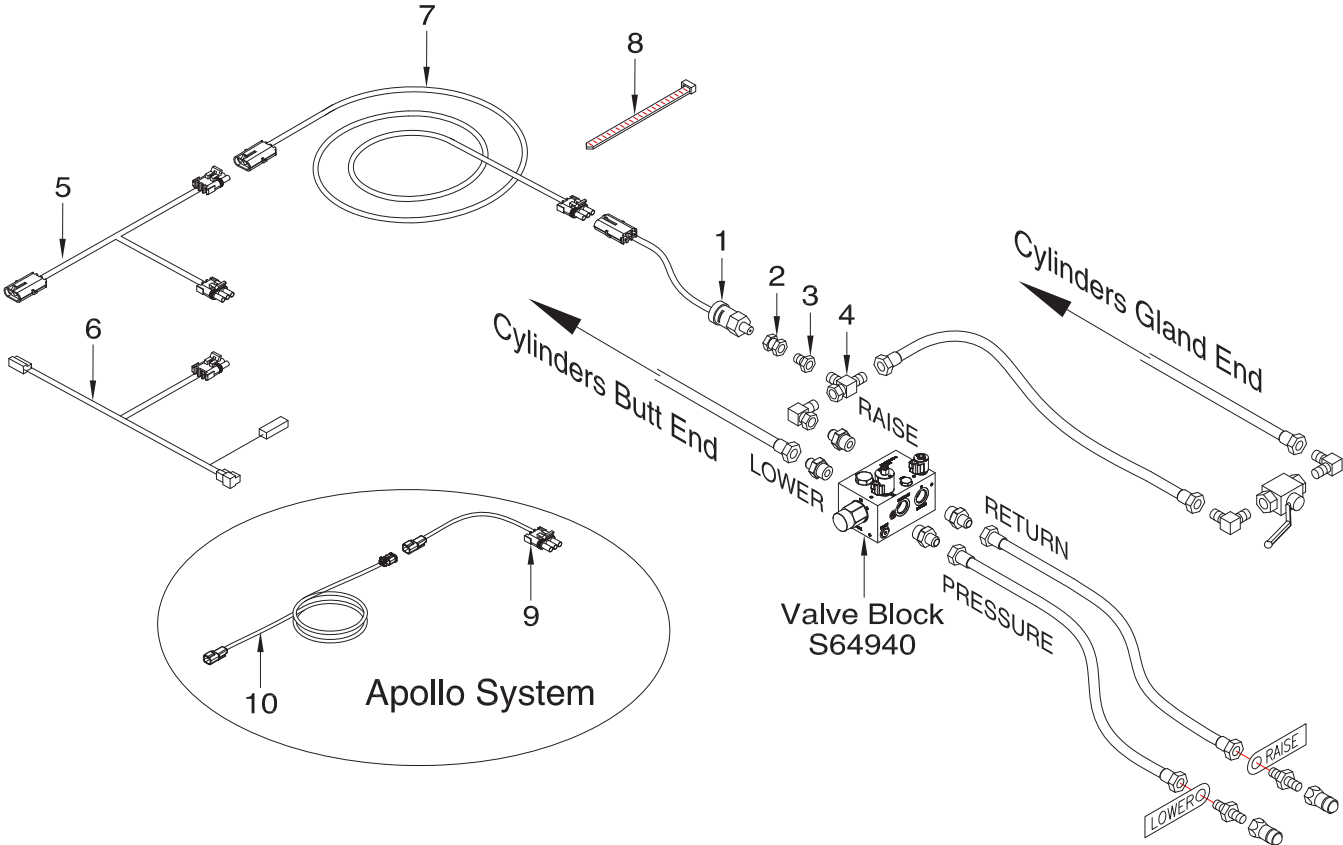
Options

Rear Tow Hitch



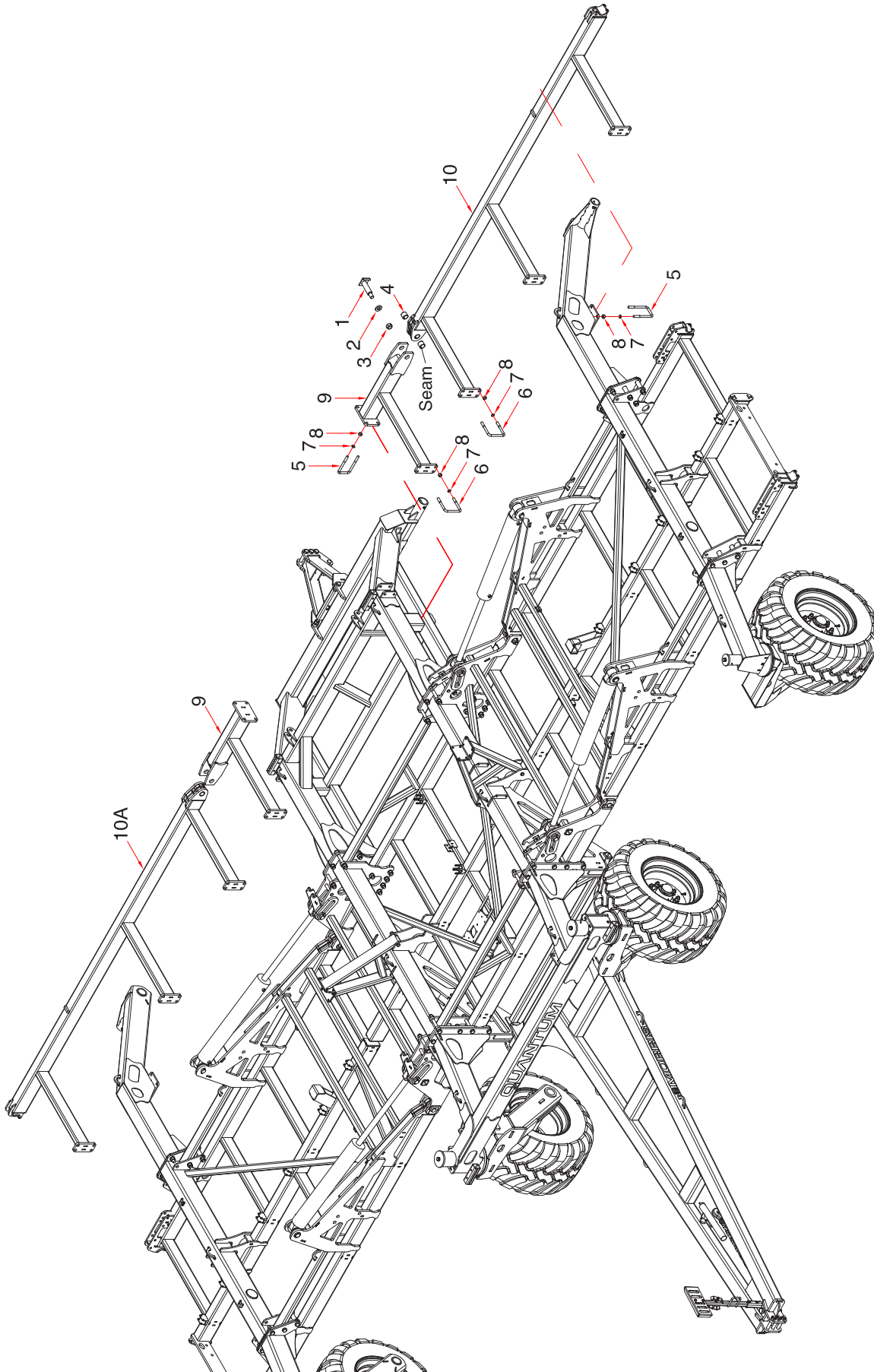
Item	Part No.	Description	Qty
1	J12344	Hex Bolt - 1 x 3 Lg.....	3
2	S42952	Hex Bolt - 1 x 6 5/8 Lg.....	3
3	C-705	Lockwasher - 1.....	3
4	W-520	Hex Nut - 1.....	3
5	D-5274	Lock Nut - 1 Unitorque.....	3
6	S64300	Clevis - CAT 5 (2 Diameter Draw Pin) (Includes item 7).....	1
6A	S66236	Clevis - CAT 4 (1 1/2 Pin Diameter Draw Pin) (Includes item 7A)	
6B	K62145	Clevis - CAT 4 (2 Pin Diameter Draw Pin) (Includes item 7B)	
7	S65738	Clevis Insert - CAT 5 - (2 Diameter Draw Pin).....	1
7A	S65740	Clevis Insert - CAT 4 - (1 1/2 Diameter Draw Pin)	
7B	S67388	Clevis Insert - CAT 4 - (2 Diameter Draw Pin)	
8	S64355	Rear Tow Hitch.....	1
9	N22778	Locknut - 1/4 Nylon Insert.....	2
10	K-3830	Hex Bolt - 1/4 x 1/2 Lg.....	2
11	N34475	SMV Sign.....	1
12	N34643	Spade Mount Bracket.....	1
<p>Used to attach a Tow Behind Quad Steer Cart as follows:</p> <p>S66236 Clevis CAT 4 - 1 1/2 Pin Diameter Draw Pin</p> <ul style="list-style-type: none"> - 9365, 9450 and 9535 Tow Behind Carts - 9445, 9550 and 9650 Tow Behind Carts - Prior to 2018 - 9800 and 91000 Tow Behind Carts - Prior to 2018 <p>S64300 Clevis CAT 5 - 2 Pin Diameter Draw Pin or K62145 Clevis CAT 4 - 2 Diameter Draw Pin could be used.</p> <ul style="list-style-type: none"> - 9445, 9550 and 9650 Tow Behind Carts - 2018 to Present - 9800 and 91000 Tow Behind Carts - 2018 to Present 			

Remote Clutch Switch



Item	Part No.	Description	Qty
Ground Drive and Base X20 and X30 Systems			
1	S56558	Pressure Switch	1
2	S42998	Connector - 1/4 FNPT x 9/16-18 FJIC	1
3	F10384	Connector - 9/16-18 MJIC x 7/8-14 FJIC	1
4	H18746	Tee - Swivel - (2) 7/8-14 MJIC x (1) 7/8-14 FJIC	1
5	N32482	Connector - 'Y' Wire - Tow Behind ONLY - Weather Pak Ends	1
6	N32483	Connector - 'Y' Wire - Tow Between ONLY - Weather Pak Ends	1
7	N32457	Wire - Clutch Extension (Main) - 37 1/2 ft - Weather Pak Ends.....	1
8	S13336	Tie Strap.....	4
	S54297	Tow Between - Work Switch Kit (Includes Items 1, 2, 3, 4, 6, 7, and 8)	
	S54298	Tow Behind - Work Switch Kit (Includes Items 1, 2, 3, 4, 5, 7, and 8)	
Apollo System - 2016			
1	S56558	Pressure Switch	1
2	S42998	Connector - 1/4 FNPT x 9/16-18 FJIC	1
3	F10384	Connector - 9/16-18 MJIC x 7/8-14 FJIC	1
4	H18746	Tee - Swivel - (2) 7/8-14 MJIC x (1) 7/8-14 FJIC	1
9	N60323	Harness Adaptor - Pressure Work Switch.....	1
10	N59010	Harness - Work Switch - 5 m.....	1

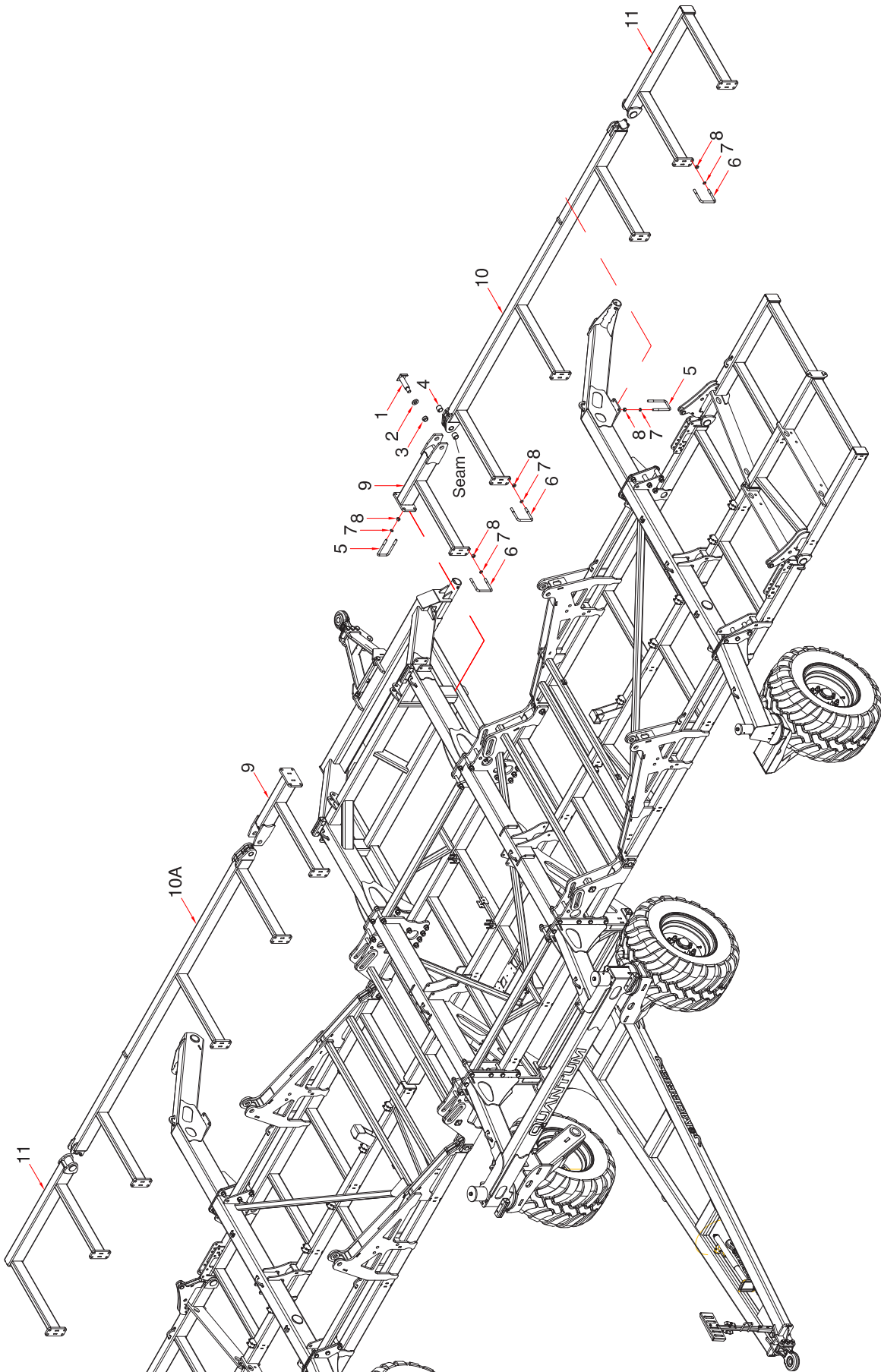
4th Row Kit 40 ft - 12m



4th Row Kit - 40 ft - 12m

Item	Part No.	Description	Qty
1	S64305	Pin - 1 3/4 x 5 1/2 Lg.....	2
2	S26462	Washer - 1 1/4 ID x 2 1/2 OD x 3/8 Thick.....	2
3	S39780	Lock Nut - 1 1/4 Unitorque	2
4	S64325	Bushing - Spring - 1.75 x 2.00 x 1.75 Lg Nominal Size.....	4
5	C26955	U-Bolt - 3/4 x 4 x 8 UL.....	8
6	S64958	U-Bolt - 3/4 x 6 1/16 x 6 1/4 UL.....	16
7	W-527	Lockwasher - 3/4.....	48
8	W-518	Hex Nut - 3/4.....	48
9	S65765	Draft Beam - Main	2
10	S65787	Draft Beam - Inner Left.....	1
10A	S65789	Draft Beam - Inner Right	1
	S65884	4th Row Kit - 40 ft (Includes all above items) Order through Whole Goods	

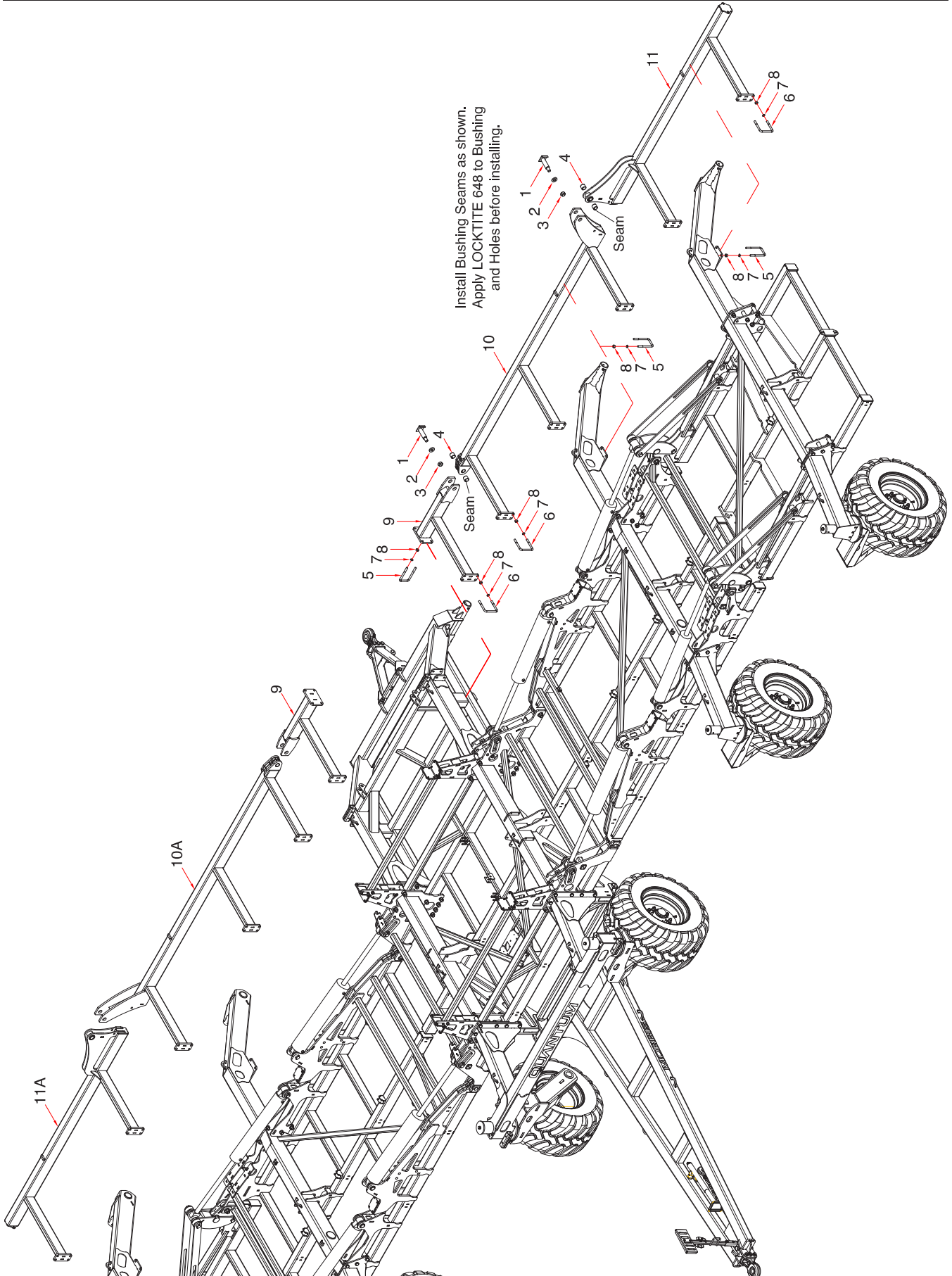
4th Row Kit
50 ft - 15m



4th Row Kit - 50 ft - 15m

Item	Part No.	Description	Qty
1	S64305	Pin - 1 3/4 x 5 1/2 Lg.....	2
2	S26462	Washer - 1 1/4 ID x 2 1/2 OD x 3/8 Thick.....	2
3	S39780	Lock Nut - 1 1/4 Unitorque	2
4	S64325	Bushing - Spring - 1.75 x 2.00 x 1.75 Lg Nominal Size.....	4
5	C26955	U-Bolt - 3/4 x 4 x 8 UL.....	8
6	S64958	U-Bolt - 3/4 x 6 1/16 x 6 1/4 UL.....	24
7	W-527	Lockwasher - 3/4.....	64
8	W-518	Hex Nut - 3/4.....	64
9	S65765	Draft Beam - Main	2
10	S65787	Draft Beam - Inner Left.....	1
10A	S65789	Draft Beam - Inner Right	1
11	S65791	Draft Beam - Flip Wing	2
	S65883	4th Row Kit - 50 ft (Includes all above items) Order through Whole Goods	

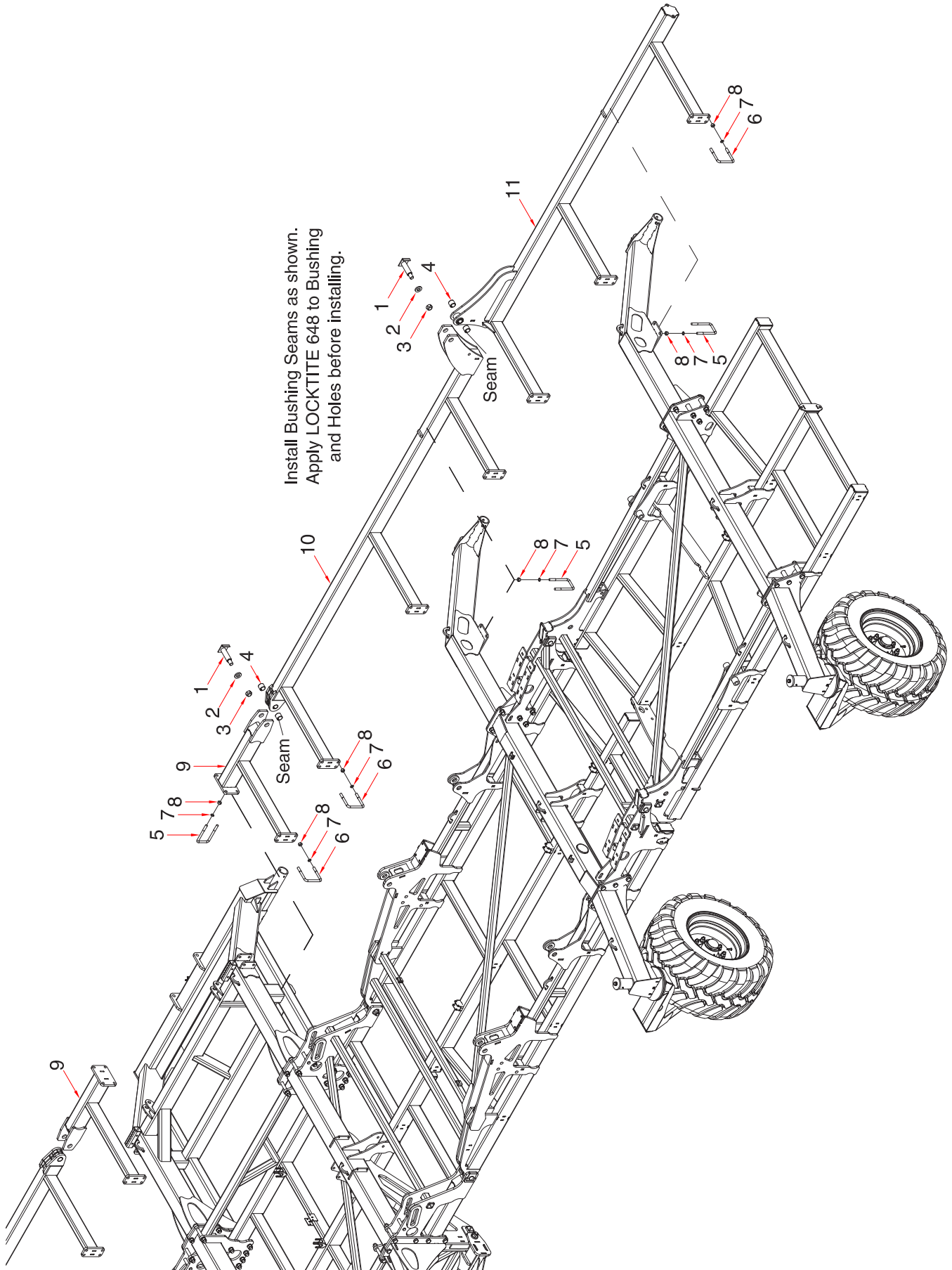
4th Row Kit 60 ft - 18m



4th Row Kit - 60 ft - 18m

Item	Part No.	Description	Qty
1	S64305	Pin - 1 3/4 x 5 1/2 Lg.....	4
2	S26462	Washer - 1 1/4 ID x 2 1/2 OD x 3/8 Thick.....	4
3	S39780	Lock Nut - 1 1/4 Uunitorque	4
4	S64325	Bushing - Spring - 1.75 x 2.00 x 1.75 Lg Nominal Size.....	8
5	C26955	U-Bolt - 3/4 x 4 x 8 UL.....	12
6	S64958	U-Bolt - 3/4 x 6 1/16 x 6 1/4 UL.....	24
7	W-527	Lockwasher - 3/4.....	72
8	W-518	Hex Nut - 3/4.....	72
9	S65765	Draft Beam - Main	2
10	S65778	Draft Beam - Inner Left.....	1
10A	S65780	Draft Beam - Inner Right	1
11	S65782	Draft Beam - Outer Left	1
11A	S65784	Draft Beam - Outer Right.....	1
	S65882	4th Row Kit - 60 ft (Includes all above items) Order through Whole Goods	

4th Row Kit 70 ft - 21m

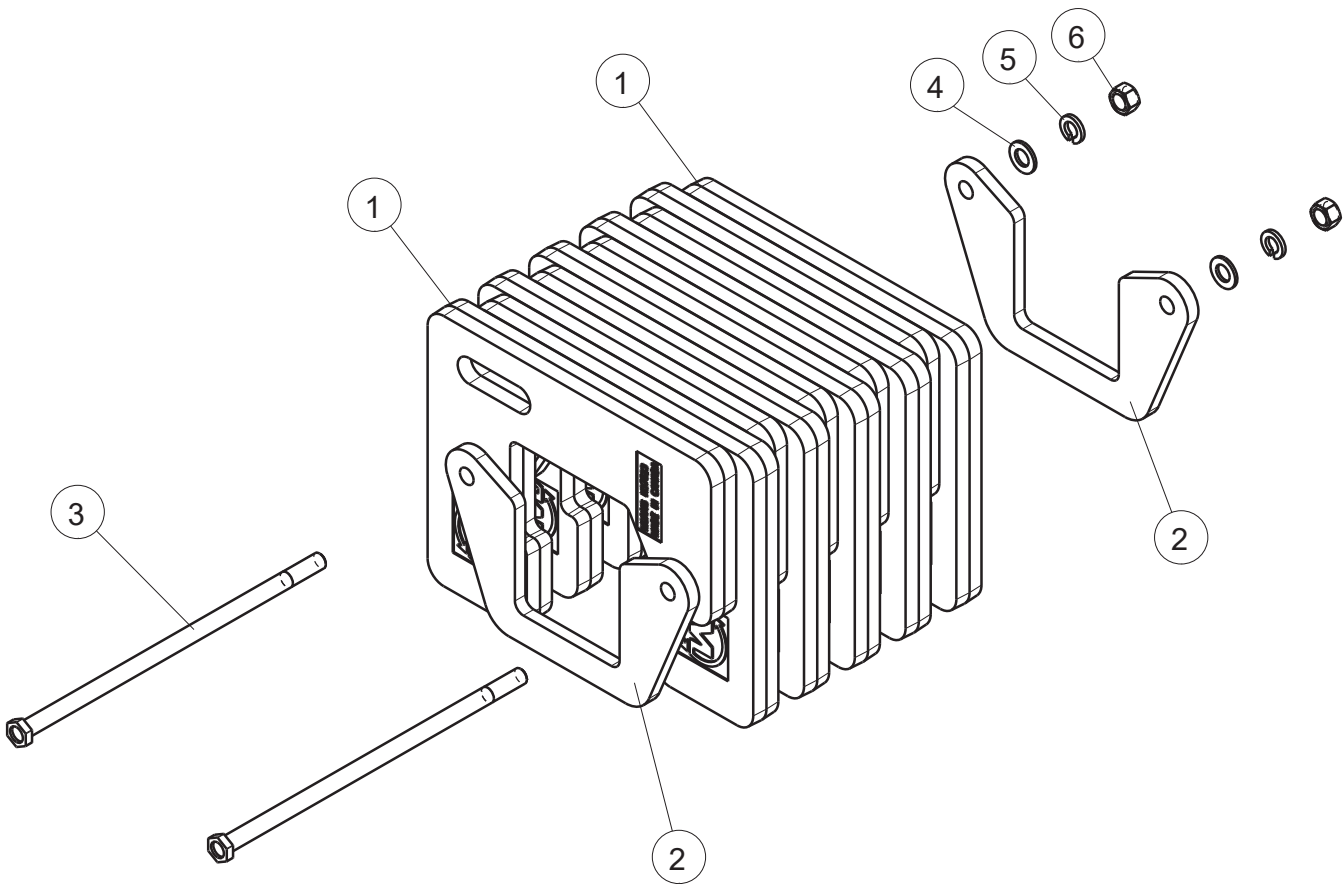


4th Row Kit - 70 ft - 21m

Item	Part No.	Description	Qty
1	S64305	Pin - 1 3/4 x 5 1/2 Lg.....	4
2	S26462	Washer - 1 1/4 ID x 2 1/2 OD x 3/8 Thick.....	4
3	S39780	Lock Nut - 1 1/4 Uunitorque	4
4	S64325	Bushing - Spring - 1.75 x 2.00 x 1.75 Lg Nominal Size.....	8
5	C26955	U-Bolt - 3/4 x 4 x 8 UL.....	12
6	S64958	U-Bolt - 3/4 x 6 1/16 x 6 1/4 UL.....	28
7	W-527	Lockwasher - 3/4.....	80
8	W-518	Hex Nut - 3/4.....	80
9	S65765	Draft Beam - Main	2
10	S65767	Draft Beam - Inner Left.....	1
10A	S65769	Draft Beam - Inner Right	1
11	S65771	Draft Beam - Outer Left	1
11A	S65773	Draft Beam - Outer Right.....	1
	S65881	4th Row Kit - 70 ft (Includes all above items) Order through Whole Goods	

Options

Weight Kit



Note: Wrap Weights (1) around beam alternating left to right.

Item	Part No.	Description	Qty
1	N37523	Weight - 50lb	10
2	S65692	Weight Retainer Bracket.....	2
3	S65750	Rod - 3/4 Dia x 17 3/4 Lg	2
3	W-476	Flat Washer - 3/4.....	2
4	W-527	Lockwasher - 3/4.....	2
5	W-518	Hex Nut - 3/4.....	2
	S65755	Weight Kit (Includes all above items)	

Index

B	15, 4-17, 4-19, 4-24 C64920 1-27, 1-29, 4-3, 4-5, 4-7 C64930 1-29, 4-3, 4-5, 4-7 C65366 1-17, 4-5 C65377 4-24 C65379 4-24 C66871 4-24 C66872 4-24 C66873 4-24 C66874 4-24 C66875 4-24 C66876 4-24	H25628 5-51, 4-3, 4-5, 4-7, 4-11, 4-19, 1-30, 5-53, 5-55, 4-13, 4-15, 4-17, 5-21, 5-23, 5-25, 5-27, 5-29, 5-31, 5-45, 5-47, 5-49	N19484 2-2, 2-3 N19578 4-11, 4-13, 4-15, 4-17, 4-19 N19678 4-3, 4-5, 4-7, 4-9 N19723 5-7, 5-17, 5-19, 5-29, 5-31, 5-41, 5-43, 5-53, 5-55 N22778 1-5, 6-2 N29048 1-30 N29358 4-11, 4-13, 4-15, 4-17, 4-19 N31012 3-5 N31087 ii N31908 4-3, 4-5, 4-7 N32457 6-3 N32482 6-3 N32483 6-3 N34319 4-3, 4-5, 4-7, 4-11, 4-13, 4-15, 4-17, 4-19 N34443 4-3, 4-5, 4-7, 4-9, 4-11, 4-13, 4-15, 4-17, 4-19 N34475 1-5, 6-2 N34476 1-5, 1-30 N34477 1-5, 1-30 N34478 1-5, 1-30 N34488 4-9 N34505 4-9 N34576 4-9 N34577 4-9 N34578 4-9 N34643 1-5, 6-2 N34646 4-9 N37035 4-9 N37036 4-9 N37523 6-12 N37787 3-14, 3-15, 3-16, 3-17 N37914 4-9 N37915 4-9 N37920 5-17, 5-19, 5-29, 5-31, 5-41, 5-43, 5-53, 5-55 N40735 5-2, 5-3 N42213 5-2, 5-3, 5-4, 5-5 N42880 4-3, 4-5, 4-7, 4-11, 4-13, 4-15, 4-17, 4-19 N42881 4-3, 4-5, 4-7, 4-11, 4-13, 4-15, 4-17, 4-19 N44710 1-3 N44955 4-9 N47903 4-11, 4-13, 4-15, 4-17, 4-19 N48126 4-15, 4-17 N50088 4-9 N50099 4-9 N50365 1-30 N50366 1-30	
BW-10 1-7, 1-9, 1-11, 5-9, 5-11, 5-13, 5-15, 5-17, 5-19, 5-21, 5-23, 5-25, 5-27, 5-29, 5-31, 5-33, 5-35, 5-37, 5-39, 5-41, 5-43, 5-45, 5-47, 5-49, 5-51, 5-53, 5-55	C	J		
C-695 1-5, 1-13, 1-15, 1-19, 1-21, 1-23, 1-25 C-705 1-7, 1-9, 1-11, 1-13, 1-15, 1-19, 1-21, 1-23, 1-25, 6-2 C-1471 4-21 C-3918 4-3, 4-5, 4-7, 4-9 C-3932 5-9, 5-11, 5-13, 5-15, 5-17, 5-19, 5-21, 5-23, 5-25, 5-27, 5-29, 5-31, 5-33, 5-35, 5-37, 5-39, 5-41, 5-43, 5-45, 5-47, 5-49, 5-51, 5-53, 5-55 C-4393 4-11, 4-13, 4-15, 4-17, 4-19 C-4401 4-11, 4-13, 4-15, 4-17, 4-19 C-4403 4-3, 4-5, 4-7, 4-11, 4-13, 4-15, 4-17, 4-19 C-4698 4-3, 4-5, 4-7, 4-9 C14840 4-3, 4-5, 4-7, 4-9, 4-11, 4-13, 4-15, 4-17, 4-19 C15319 4-9 C15348 4-3, 4-5, 4-7, 4-11, 4-13, 4-15, 4-17, 4-19 C18597 1-7, 1-9, 1-11 C24585 4-3, 4-5, 4-7, 4-11, 4-13, 4-15, 4-17, 4-19 C25809 1-5, 1-13, 1-15, 1-19, 1-21, 1-23, 1-25 C26321 1-3 C26955 6-5, 6-7, 6-9, 6-11 C28505 4-9 C29565 4-3, 4-5, 4-7 C32741 1-7, 1-9, 1-11, 1-15, 1-19, 1-23 C39432 1-3 C44461 4-24 C51152 4-24 C53847 4-25 C53848 4-25 C53849 4-3, 4-5, 4-7, 4-25 C60599 4-24 C64546 3-5, 4-11, 4-13, 4-15, 4-17, 4-19, 1-30, 5-53, 5-55, 4-13, 4-15, 4-17, 5-21, 5-23, 5-25, 5-27, 5-29, 5-31, 5-45, 5-47, 5-49	D	K		
C-695 1-5, 1-13, 1-15, 1-19, 1-21, 1-23, 1-25 C-705 1-7, 1-9, 1-11, 1-13, 1-15, 1-19, 1-21, 1-23, 1-25, 6-2 C-1471 4-21 C-3918 4-3, 4-5, 4-7, 4-9 C-3932 5-9, 5-11, 5-13, 5-15, 5-17, 5-19, 5-21, 5-23, 5-25, 5-27, 5-29, 5-31, 5-33, 5-35, 5-37, 5-39, 5-41, 5-43, 5-45, 5-47, 5-49, 5-51, 5-53, 5-55 C-4393 4-11, 4-13, 4-15, 4-17, 4-19 C-4401 4-11, 4-13, 4-15, 4-17, 4-19 C-4403 4-3, 4-5, 4-7, 4-11, 4-13, 4-15, 4-17, 4-19 C-4698 4-3, 4-5, 4-7, 4-9 C14840 4-3, 4-5, 4-7, 4-9, 4-11, 4-13, 4-15, 4-17, 4-19 C15319 4-9 C15348 4-3, 4-5, 4-7, 4-11, 4-13, 4-15, 4-17, 4-19 C18597 1-7, 1-9, 1-11 C24585 4-3, 4-5, 4-7, 4-11, 4-13, 4-15, 4-17, 4-19 C25809 1-5, 1-13, 1-15, 1-19, 1-21, 1-23, 1-25 C26321 1-3 C26955 6-5, 6-7, 6-9, 6-11 C28505 4-9 C29565 4-3, 4-5, 4-7 C32741 1-7, 1-9, 1-11, 1-15, 1-19, 1-23 C39432 1-3 C44461 4-24 C51152 4-24 C53847 4-25 C53848 4-25 C53849 4-3, 4-5, 4-7, 4-25 C60599 4-24 C64546 3-5, 4-11, 4-13, 4-15, 4-17, 4-19, 1-30, 5-53, 5-55, 4-13, 4-15, 4-17, 5-21, 5-23, 5-25, 5-27, 5-29, 5-31, 5-45, 5-47, 5-49	D-4932 5-9, 5-11, 5-13, 5-15, 5-17, 5-19, 5-33, 5-35, 5-37, 5-39, 5-41, 5-43 D-4951 1-30, 4-3, 4-5, 4-7, 4-9 D-5243 3-14, 3-15, 3-16, 3-17 D-5247 2-2, 2-3 D-5260 3-12, 3-13 D-5261 3-14, 3-15, 3-16, 3-17 D-5273 3-3, 3-5 D-5274 3-3, 1-3, 6-2 D-5277 5-2, 5-3, 5-4, 5-5, 5-7 D-5278 , 1-30, 5-4, 5-5 D-5279 1-15, 1-19, 1-23, 4-23, 5-2, 5-3 D-5280 1-30 D-5488 1-30 D-5519 1-5, 1-30 D-5558 1-7, 3-3 D12903 1-13, 1-15, 1-19, 1-23, 1-25, 3-3, 1-21	K-3830 1-5, 6-2 K-5806 4-3, 4-5, 4-7, 4-11, 4-13, 4-15, 4-17, 4-19 K50834 4-9 K56777 2-2 K62145 1-3, 6-2 K62977 4-11, 4-13, 4-15, 4-17, 4-19, 4-21, 4-23 K65090 , 1-5, 1-13, 1-15, 1-19, 1-21, 1-23, 1-25 K65091 , 1-5, 1-13, 1-15, 1-19, 1-21, 1-23, 1-25	N12344 1-7, 1-9, 1-11, 1-13, 1-19, 1-21, 1-23, 1-25, 6-2	
C-695 1-5, 1-13, 1-15, 1-19, 1-21, 1-23, 1-25 C-705 1-7, 1-9, 1-11, 1-13, 1-15, 1-19, 1-21, 1-23, 1-25, 6-2 C-1471 4-21 C-3918 4-3, 4-5, 4-7, 4-9 C-3932 5-9, 5-11, 5-13, 5-15, 5-17, 5-19, 5-21, 5-23, 5-25, 5-27, 5-29, 5-31, 5-33, 5-35, 5-37, 5-39, 5-41, 5-43, 5-45, 5-47, 5-49, 5-51, 5-53, 5-55 C-4393 4-11, 4-13, 4-15, 4-17, 4-19 C-4401 4-11, 4-13, 4-15, 4-17, 4-19 C-4403 4-3, 4-5, 4-7, 4-11, 4-13, 4-15, 4-17, 4-19 C-4698 4-3, 4-5, 4-7, 4-9 C14840 4-3, 4-5, 4-7, 4-9, 4-11, 4-13, 4-15, 4-17, 4-19 C15319 4-9 C15348 4-3, 4-5, 4-7, 4-11, 4-13, 4-15, 4-17, 4-19 C18597 1-7, 1-9, 1-11 C24585 4-3, 4-5, 4-7, 4-11, 4-13, 4-15, 4-17, 4-19 C25809 1-5, 1-13, 1-15, 1-19, 1-21, 1-23, 1-25 C26321 1-3 C26955 6-5, 6-7, 6-9, 6-11 C28505 4-9 C29565 4-3, 4-5, 4-7 C32741 1-7, 1-9, 1-11, 1-15, 1-19, 1-23 C39432 1-3 C44461 4-24 C51152 4-24 C53847 4-25 C53848 4-25 C53849 4-3, 4-5, 4-7, 4-25 C60599 4-24 C64546 3-5, 4-11, 4-13, 4-15, 4-17, 4-19, 1-30, 5-53, 5-55, 4-13, 4-15, 4-17, 5-21, 5-23, 5-25, 5-27, 5-29, 5-31, 5-45, 5-47, 5-49	F	M		
C-695 1-5, 1-13, 1-15, 1-19, 1-21, 1-23, 1-25 C-705 1-7, 1-9, 1-11, 1-13, 1-15, 1-19, 1-21, 1-23, 1-25, 6-2 C-1471 4-21 C-3918 4-3, 4-5, 4-7, 4-9 C-3932 5-9, 5-11, 5-13, 5-15, 5-17, 5-19, 5-21, 5-23, 5-25, 5-27, 5-29, 5-31, 5-33, 5-35, 5-37, 5-39, 5-41, 5-43, 5-45, 5-47, 5-49, 5-51, 5-53, 5-55 C-4393 4-11, 4-13, 4-15, 4-17, 4-19 C-4401 4-11, 4-13, 4-15, 4-17, 4-19 C-4403 4-3, 4-5, 4-7, 4-11, 4-13, 4-15, 4-17, 4-19 C-4698 4-3, 4-5, 4-7, 4-9 C14840 4-3, 4-5, 4-7, 4-9, 4-11, 4-13, 4-15, 4-17, 4-19 C15319 4-9 C15348 4-3, 4-5, 4-7, 4-11, 4-13, 4-15, 4-17, 4-19 C18597 1-7, 1-9, 1-11 C24585 4-3, 4-5, 4-7, 4-11, 4-13, 4-15, 4-17, 4-19 C25809 1-5, 1-13, 1-15, 1-19, 1-21, 1-23, 1-25 C26321 1-3 C26955 6-5, 6-7, 6-9, 6-11 C28505 4-9 C29565 4-3, 4-5, 4-7 C32741 1-7, 1-9, 1-11, 1-15, 1-19, 1-23 C39432 1-3 C44461 4-24 C51152 4-24 C53847 4-25 C53848 4-25 C53849 4-3, 4-5, 4-7, 4-25 C60599 4-24 C64546 3-5, 4-11, 4-13, 4-15, 4-17, 4-19, 1-30, 5-53, 5-55, 4-13, 4-15, 4-17, 5-21, 5-23, 5-25, 5-27, 5-29, 5-31, 5-45, 5-47, 5-49	F-3405 1-3, 1-5, 1-13, 1-15, 1-19, 1-21, 1-23, 1-25, 1-30 F-3867 4-11, 4-13, 4-15, 4-17, 4-19 F-4565 4-9 F-4642 5-9, 5-11, 5-13, 5-15, 5-17, 5-19, 5-33, 5-35, 5-37, 5-39, 5-41, 5-43 F10384 4-11, 4-13, 4-15, 4-17, 4-19, 6-3	M-3388 1-17, 1-27, 3-7, 1-29, 4-23, 5-7		
C-695 1-5, 1-13, 1-15, 1-19, 1-21, 1-23, 1-25 C-705 1-7, 1-9, 1-11, 1-13, 1-15, 1-19, 1-21, 1-23, 1-25, 6-2 C-1471 4-21 C-3918 4-3, 4-5, 4-7, 4-9 C-3932 5-9, 5-11, 5-13, 5-15, 5-17, 5-19, 5-21, 5-23, 5-25, 5-27, 5-29, 5-31, 5-33, 5-35, 5-37, 5-39, 5-41, 5-43, 5-45, 5-47, 5-49, 5-51, 5-53, 5-55 C-4393 4-11, 4-13, 4-15, 4-17, 4-19 C-4401 4-11, 4-13, 4-15, 4-17, 4-19 C-4403 4-3, 4-5, 4-7, 4-11, 4-13, 4-15, 4-17, 4-19 C-4698 4-3, 4-5, 4-7, 4-9 C14840 4-3, 4-5, 4-7, 4-9, 4-11, 4-13, 4-15, 4-17, 4-19 C15319 4-9 C15348 4-3, 4-5, 4-7, 4-11, 4-13, 4-15, 4-17, 4-19 C18597 1-7, 1-9, 1-11 C24585 4-3, 4-5, 4-7, 4-11, 4-13, 4-15, 4-17, 4-19 C25809 1-5, 1-13, 1-15, 1-19, 1-21, 1-23, 1-25 C26321 1-3 C26955 6-5, 6-7, 6-9, 6-11 C28505 4-9 C29565 4-3, 4-5, 4-7 C32741 1-7, 1-9, 1-11, 1-15, 1-19, 1-23 C39432 1-3 C44461 4-24 C51152 4-24 C53847 4-25 C53848 4-25 C53849 4-3, 4-5, 4-7, 4-25 C60599 4-24 C64546 3-5, 4-11, 4-13, 4-15, 4-17, 4-19, 1-30, 5-53, 5-55, 4-13, 4-15, 4-17, 5-21, 5-23, 5-25, 5-27, 5-29, 5-31, 5-45, 5-47, 5-49	H	N		
C-695 1-5, 1-13, 1-15, 1-19, 1-21, 1-23, 1-25 C-705 1-7, 1-9, 1-11, 1-13, 1-15, 1-19, 1-21, 1-23, 1-25, 6-2 C-1471 4-21 C-3918 4-3, 4-5, 4-7, 4-9 C-3932 5-9, 5-11, 5-13, 5-15, 5-17, 5-19, 5-21, 5-23, 5-25, 5-27, 5-29, 5-31, 5-33, 5-35, 5-37, 5-39, 5-41, 5-43, 5-45, 5-47, 5-49, 5-51, 5-53, 5-55 C-4393 4-11, 4-13, 4-15, 4-17, 4-19 C-4401 4-11, 4-13, 4-15, 4-17, 4-19 C-4403 4-3, 4-5, 4-7, 4-11, 4-13, 4-15, 4-17, 4-19 C-4698 4-3, 4-5, 4-7, 4-9 C14840 4-3, 4-5, 4-7, 4-9, 4-11, 4-13, 4-15, 4-17, 4-19 C15319 4-9 C15348 4-3, 4-5, 4-7, 4-11, 4-13, 4-15, 4-17, 4-19 C18597 1-7, 1-9, 1-11 C24585 4-3, 4-5, 4-7, 4-11, 4-13, 4-15, 4-17, 4-19 C25809 1-5, 1-13, 1-15, 1-19, 1-21, 1-23, 1-25 C26321 1-3 C26955 6-5, 6-7, 6-9, 6-11 C28505 4-9 C29565 4-3, 4-5, 4-7 C32741 1-7, 1-9, 1-11, 1-15, 1-19, 1-23 C39432 1-3 C44461 4-24 C51152 4-24 C53847 4-25 C53848 4-25 C53849 4-3, 4-5, 4-7, 4-25 C60599 4-24 C64546 3-5, 4-11, 4-13, 4-15, 4-17, 4-19, 1-30, 5-53, 5-55, 4-13, 4-15, 4-17, 5-21, 5-23, 5-25, 5-27, 5-29, 5-31, 5-45, 5-47, 5-49	H18746 6-3	N11470 3-12, 3-13, 3-14, 3-15, 3-16, 3-17, 5-4, 5-5 N11905 5-9, 5-11, 5-13, 5-15, 5-17, 5-19, 5-21, 5-23, 5-25, 5-27, 5-29, 5-31, 5-33, 5-35, 5-37, 5-39, 5-41, 5-43, 5-45, 5-47, 5-49, 5-51, 5-53, 5-55 N13959 2-2, 2-3 N13962 1-17, 2-2, 2-3 N13968 2-2, 2-3 N14009 3-6, 3-7 N14011 3-6, 3-7 N15757 1-7, 1-9, 1-11, 1-15, 1-19, 1-23, 1-27, 1-29 N16143 4-3, 4-5, 4-7 N16257 4-3, 4-5, 4-7 N16608 1-30 N19428 5-9, 5-11, 5-13, 5-15, 5-17, 5-19, 5-21, 5-23, 5-25, 5-27, 5-29, 5-31, 5-33, 5-35, 5-37, 5-39, 5-41, 5-43, 5-45, 5-47, 5-49, 5-51, 5-53, 5-55 N19458 1-30		

N50842 5-7,5-17,5-29,5-41,5-53	N65142 4-21	N66507 5-4	21,5-23,5-25,5-27,5-29,5-31,5-33,5-35,5-37,5-39,5-41,5-43,5-45,5-47,5-49,5-51,5-53,5-55
N51955 5-3	N65143 4-21	N66508 5-5	R480055 5-9,5-11,5-13,5-15,5-17,5-19,5-21,5-23,5-25,5-27,5-29,5-31,5-33,5-35,5-37,5-39,5-41,5-43,5-45,5-53,5-55
N51960 5-3	N65145 4-21	N66509 5-5	R480060 5-9,5-11,5-13,5-15,5-17,5-19,5-21,5-23,5-25,5-27,5-29,5-31,5-33,5-35,5-37,5-39,5-41,5-43,5-45,5-47,5-49,5-51,5-53,5-55
N51983 5-2	N65146 4-21	N66510 5-5	
N53200 5-2	N65147 4-21	N66516 5-4	
N53203 5-9,5-11,5-13,5-15,5-17,5-19,5-33,5-35,5-37,5-39,5-41,5-43	N65148 4-21	N66517 5-4	
N53207 5-2	N65149 4-21	N66518 5-5	
N53209 5-3	N65385 5-7	N66519 5-5	
N53211 4-3,4-5,4-7	N66092 5-53	N66520 5-5	
N53215 5-2,5-3,5-4,5-5	N66140 5-7	N66556 5-4	
N53713 ii	N66141 5-7	N66557 5-4	
N53715 ii	N66175 5-4,5-5	N66558 5-5	
N55218 2-2,2-3	N66176 5-4	N66559 5-5	
N55450 ii	N66177 5-4	N66560 5-5	
N55452 ii	N66178 5-5	N66662 5-5	
N55453 ii	N66179 5-5	N66672 5-5	
N55806 4-9	N66180 5-5	N66775 5-41,5-43,5-53,5-55	
N55950 4-23	N66234 5-21,5-23,5-25,5-27,5-29,5-31,5-45,5-47,5-49,5-51,5-53,5-55	N66855 5-43,5-55	
N58340 4-9	N66321 5-9,5-11,5-13,5-15,5-17,5-19,5-33,5-35,5-37,5-39,5-41,5-43	N66860 5-43,5-55	
N58341 4-9	N66322 5-33,5-35,5-37,5-39,5-41,5-43	N67037 4-23	
N58342 4-9	N66325 5-9,5-11,5-13,5-15,5-17,5-19,5-33,5-35,5-37,5-39,5-41,5-43	N67038 4-23	
N58343 4-9	N66335 5-9,5-11,5-13,5-15,5-17,5-19,5-33,5-35,5-37,5-39,5-41,5-43	N67045 4-23	
N58670 4-9	N66339 5-9,5-11,5-13,5-15,5-17,5-19,5-21,5-23,5-25,5-27,5-29,5-31,5-33,5-35,5-37,5-39,5-41,5-43,5-45,5-47,5-49,5-51,5-53,5-55	N67046 4-23	
N58671 1-3,4-9	N66358 5-19,5-31,5-37,5-39,5-49,5-51	N67051 4-23	
N59010 4-23,6-3	N66359 5-9,5-11,5-13,5-15,5-17,5-19,5-21,5-23,5-25,5-27,5-29,5-31,5-33,5-35,5-37,5-39,5-41,5-43,5-45,5-47,5-49,5-51,5-53,5-55	N67052 4-23	
N60323 6-3	N66374 5-15,5-17,5-27,5-29,5-39,5-41,5-51,5-53	N67200 5-7,5-9,5-13,5-15,5-17,5-21,5-25,5-27,5-29,5-33,5-37,5-39,5-41,5-45,5-49,5-51,5-53	
N64092 5-11,5-13,5-15,5-17,5-19,5-29,5-31,5-35,5-37,5-39,5-41,5-43,5-55	N66375 5-15,5-17,5-27,5-29,5-39,5-41,5-51,5-53	N67202 5-7,5-9,5-13,5-15,5-17,5-21,5-25,5-27,5-29,5-33,5-37,5-39,5-41,5-45,5-49,5-51,5-53	
N64094 5-9,5-11,5-13,5-15,5-17,5-19,5-23,5-25,5-27,5-29,5-33,5-35,5-37,5-39,5-41,5-43,5-45,5-47,5-49,5-51,5-53	N66395 5-43,5-15,1-15,5-17,5-19,5-27,5-29,5-31,5-39,5-41,5-51,5-53,5-55	N67245 5-21,5-23,5-25,5-27,5-29,5-31,5-45,5-47,5-49,5-51,5-53,5-55	
N64095 5-9,5-11,5-13,5-15,5-17,5-19,5-21,5-23,5-25,5-27,5-29,5-31,5-33,5-35,5-37,5-39,5-41,5-43,5-45,5-47,5-49,5-51,5-53,5-55	N66396 5-9,5-13,5-15,5-19,5-21,5-25,5-27,5-31,5-33,5-37,5-39,5-43,5-45,5-49,5-51,5-55	N67274 5-21,5-23,5-25,5-27,5-29,5-31,5-45,5-47,5-49,5-51,5-53,5-55	
N64096 5-19,5-31,5-43,5-55	N66506 5-4	N67275 5-21,5-23,5-25,5-27,5-29,5-31,5-45,5-47,5-49,5-51,5-53,5-55	
N64099 5-9,5-11,5-13,5-15,5-17,5-19,5-21,5-23,5-25,5-27,5-29,5-31,5-33,5-35,5-37,5-39,5-41,5-43,5-45,5-47,5-49,5-51,5-53,5-55		N67640 5-7,5-19,5-31,5-43,5-55	
N64583 4-26		N67798 4-23	
N64671 4-23		N68000 4-23	
N64747 1-30		N68002 4-23	
N65131 5-4,5-5			
N65140 4-21			
N65141 4-21			

S

S-747 5-2,5-3
S-752 ,1-5,1-13,1-15,1-19,1-23,1-25,2-2,1-21,2-3,3-7
S-771 4-11,4-13,4-15,4-17,4-19
S-951 1-5,1-13,1-15,1-19,1-21,1-23,1-25
S-1191 1-9,1-15
S-1299 5-7,5-17,5-29,5-41,5-53
S13336 1-30,6-3
S13337 1-30
S26462 1-3,1-13,1-15,1-19,1-21,1-23,1-25,6-5,6-7,6-9,6-11
S27987 3-9,3-10,3-11,3-12,3-13,3-14,3-15,3-16,3-17,4-3,4-5,4-7,4-9,5-9,5-11,5-13,5-15,5-17,5-19,5-21,5-23,5-25,5-27,5-29,5-31,5-33,5-35,5-37,5-39,5-41,5-43,5-45,5-47,5-49,5-51,5-53,5-55
S29958 4-11,4-13,4-15,4-17,4-19
S29959 4-11,4-13,4-15,4-17,4-19
S29960 4-3,4-5,4-7
S29961 4-3,4-5,4-7
S29967 4-3,4-5,4-7,4-11,4-13,4-15,4-17,4-19
S31980 3-13
S33420 5-2,5-3
S39391 1-3
S39539 4-3,4-5,4-7
S39649 5-9,5-11,5-13,5-15,5-17,5-19,5-21,5-

P

P61D20 1-3

R

R480034 5-5,5-9,5-11,5-13,5-15,5-17,5-19,5-

23, 5-25, 5-27, 5-29, 5-31, 5-33, 5-35, 5-37, 5-39, 5-41, 5-43, 5-45, 5-47, 5-49, 5-51, 5-53, 5-55	S48848 3-6, 3-7	S64355 6-2	S65152 1-5
S39665 1-3	S48849 3-6, 3-7	S64360 1-3	S65153 1-7, 1-9, 1-11, 1-17, 1-19, 1-23
S39780 1-3, 1-13, 1-15, 1-19, 1-21, 1-23, 1-25, 6-5, 6-7, 6-9, 6-11	S48850 3-6	S64390 1-11	S65154 1-5
S42294 3-3	S49260 3-3	S64416 1-7, 1-9, 1-11, 1-15, 1-19, 1-23	S65155 1-5
S42865 3-12, 3-13	S49536 3-16	S64580 3-5	S65156 4-3, 4-5, 4-7
S42952 1-3, 6-2	S49537 3-17	S64672 3-5	S65157 4-11, 4-13, 4-15, 4-17, 4-19
S42965 3-14, 3-15	S50245 3-14, 3-15, 3-16, 3-17	S64673 3-3, 3-6	S65305 1-13, 1-15
S42967 4-11, 4-13, 4-19	S50246 3-3, 3-6, 3-7	S64698 3-3	S65310 1-13, 1-15
S42969 4-15, 4-17	S50247 3-3, 3-6, 3-7	S64759 3-5	S65330 1-7
S42998 6-3	S51464 3-3	S64900 1-5, 1-30	S65332 2-2, 2-3
S44300 3-8	S51466 3-3	S64905 1-27, 1-29	S65333 2-2, 2-3
S44301 3-8	S51469 3-16	S64909 1-29	S65334 2-2, 2-3
S44353 4-7, 4-15, 4-17	S51470 3-17	S64910 1-27, 1-29	S65335 2-2, 2-3
S44404 3-8	S53696 4-11, 4-13, 4-15	S64912 1-27, 1-29	S65336 2-2, 2-3
S44405 3-8	S54297 6-3	S64914 1-29	S65337 2-2, 2-3
S44406 3-8	S54298 6-3	S64940 4-11, 4-13, 4-15, 4-17, 4-19, 4-23, 4-26	S65339 2-2, 2-3
S44407 3-8	S55498 1-5	S64944 1-13, 1-15, 1-19, 1-21, 1-23, 1-25	S65340 1-15
S44468 4-9	S56482 3-10	S64947 2-2, 2-3	S65345 1-15
S44715 1-3	S56483 3-11	S64948 1-5	S65350 1-17
S44716 1-3	S56485 3-9	S64949 2-3	S65355 1-17
S44717 1-3	S56558 6-3	S64950 1-5	S65360 1-9
S44900 3-8	S58157 4-11, 4-13, 4-15, 4-17, 4-19	S64955 1-5	S65365 1-15
S44976 3-17	S62365 3-9	S64958 6-5, 6-7, 6-9, 6-11	S65367 1-17
S44977 3-16	S62722 1-3	S64960 1-5, 1-13, 1-15, 1-19, 1-21, 1-23, 1-25, 2-3	S65368 1-17
S45269 3-13	S62723 1-3	S64961 1-19	S65369 1-17
S45312 3-14, 3-15, 3-16, 3-17	S62986 3-5	S64963 1-19	S65370 1-11
S45313 3-14, 3-15, 3-16, 3-17	S62987 3-5	S64967 1-21	S65372 1-17
S45470 3-14, 3-15	S62998 3-5	S64969 1-21	S65374 1-17
S45796 1-17	S64119 3-5	S64970 1-5, 1-13, 1-15, 1-19, 1-21, 1-23, 1-25, 2-2, 2-3	S65375 1-7
S46181 3-14, 3-16, 3-17	S64172 3-5	S64994 1-9	S65380 4-19
S46384 3-15	S64194 3-3, 3-8	S64995 1-9	S65382 5-7, 5-11, 5-13, 5-17, 5-23, 5-25, 5-29, 5-35, 5-37, 5-41, 5-47, 5-49, 5-53
S47076 3-9, 3-10, 3-11, 3-14, 3-15, 3-16, 3-17	S64195 3-3, 3-8	S64998 2-2, 2-3	S65390 5-7, 5-9, 5-15, 5-19, 5-21, 5-27, 5-31, 5-33, 5-39, 5-43, 5-45, 5-51, 5-55
S47093 3-8	S64200 1-5, 1-7, 1-9, 1-11	S64999 2-2, 2-3	S65397 4-5, 4-11, 4-19
S47110 3-3	S64210 1-13, 1-15, 1-19, 1-21, 1-23, 1-25	S65000 3-3	S65398 4-3, 4-5, 4-7
S47128 3-14, 3-15, 3-16, 3-17	S64225 1-5, 1-7, 1-9, 1-11	S65009 3-5	S65405 3-12, 3-13, 3-14, 3-15, 3-16, 3-17
S47337 3-13	S64240 1-3, 1-7, 1-9, 1-11	S65037 3-5	S65407 4-7, 4-13, 4-17, 4-19
S47799 4-11, 4-19	S64250 1-23	S65038 3-5	S65408 4-3, 4-5, 4-7
S47973 4-11, 4-13, 4-15, 4-17, 4-19	S64260 1-25	S65039 3-5	S65409 4-3, 4-5, 4-7
S47980 3-14, 3-15, 3-16, 3-17	S64270 1-25	S65048 3-5	S65411 4-5
S48813 3-15	S64273 1-3	S65061 3-3	S65419 4-3, 4-5, 4-7
S48814 3-9, 3-10, 3-11, 3-15	S64290 1-23	S65070 3-3	S65420 4-7, 4-11, 4-13, 4-15, 4-17, 4-19
S48842 3-6, 3-7	S64300 1-3, 6-2	S65074 3-9, 3-10, 3-11	S65421 4-3, 4-5, 4-7
S48843 3-6, 3-7	S64303 1-13, 1-15, 1-19, 1-21, 1-23, 1-25	S65111 3-10	S65437 4-19
S48844 3-6, 3-7	S64305 1-13, 1-15, 1-19, 1-21, 1-23, 1-25, 6-5, 6-7, 6-9, 6-11	S65112 3-11	S65650 3-3
S48846 3-6	S64310 1-3	S65121 3-3, 3-11	S65651 3-3
S48847 3-6, 3-7	S64316 1-27, 1-29	S65122 3-3, 3-10	S65668 4-11, 4-13, 4-15, 4-17, 4-19
	S64325 1-3, 1-13, 1-15, 1-19, 1-21, 1-23, 1-25, 1-29, 6-5, 6-7, 6-9, 6-11	S65123 3-3, 3-9	S65670 4-11, 4-13, 4-15, 4-17, 4-19
	S64327 1-27, 1-29	S65128 4-3, 4-5, 4-7, 4-9	
	S64335 1-13, 1-15, 1-19, 1-21, 1-23, 1-25	S65129 4-3, 4-5, 4-7, 4-11, 4-13, 4-15, 4-17, 4-19	
		S65150 1-5	
		S65151 1-5	

--	--	--	--



www.morris-industries.com

Corporate Head Office
and Training Centre:

2131 Airport Drive
Saskatoon, Saskatchewan
S7L 7E1 Canada
Phone: 306-933-8585
Fax: 306-933-8626

It is the policy of Morris Industries Ltd. to improve its products whenever it is possible to do so. Morris Industries reserves the right to make changes or add improvements at any time without incurring any obligation to make such changes on machines sold previously.