



**COMPONENT PARTS  
& OPTIONAL EQUIPMENT**

**PARTS MANUAL**

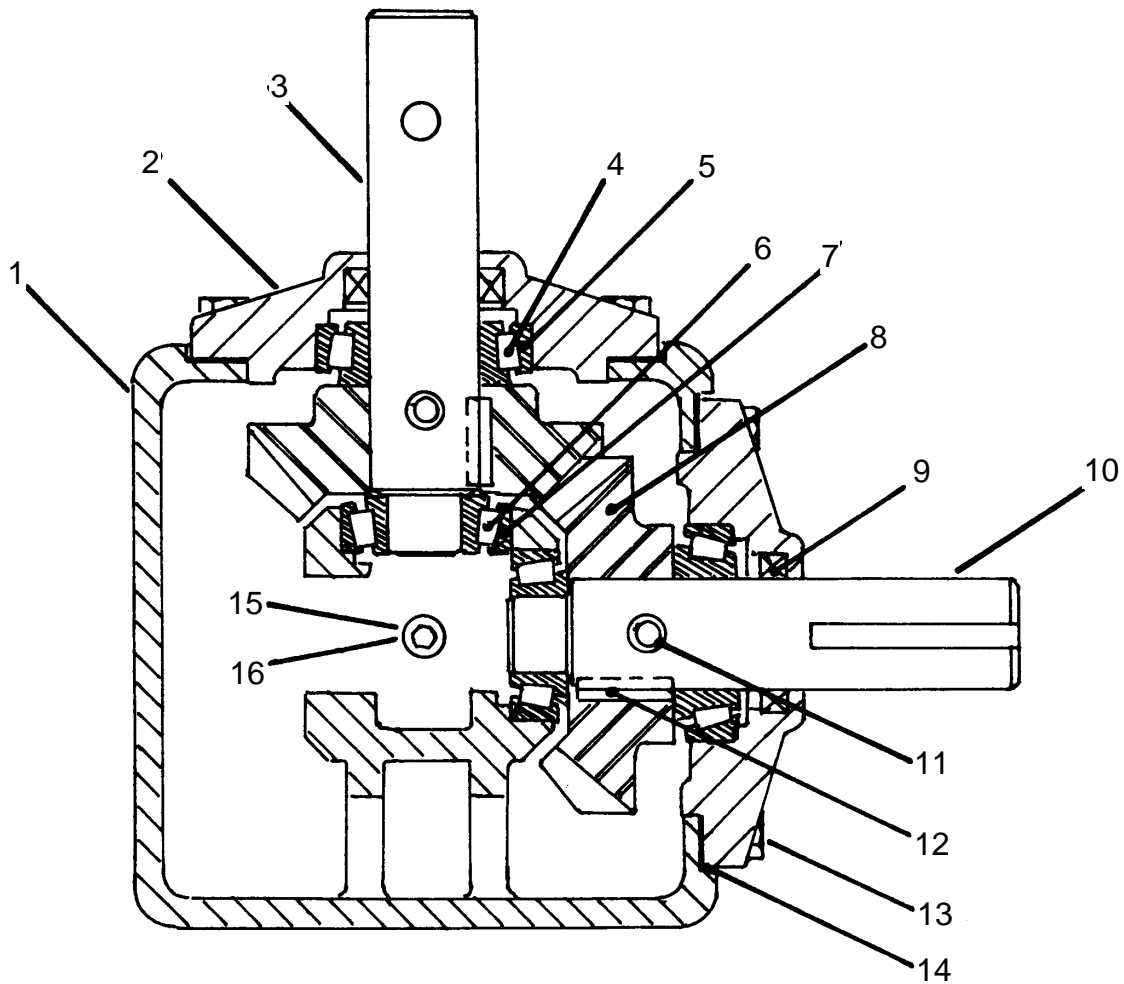
# TABLE OF CONTENTS

DESCRIPTION	PAGE
GEARBOX MODEL 211A ("CURTIS")	4
GEARBOX MODEL 211 M4A ("CURTIS")	6
GEARBOX MODEL A218 AND A262 ("HELICAL")	8
GEARBOX MODEL 412 ("CURTIS")	10
GEARBOX MODEL 403 ("PRAIRIE")	12
GEARBOX MODEL 416 ("PRAIRIE")	14
GEARBOX MODEL 606 ("PRAIRIE")	16
WINCH, FULTON MODEL T1602	18
WINCH, FULTON MODEL K1050	20
WINCH, FULTON MODEL K2500	22
WINCH, FULTON MODEL K2501	24
WINCH, FULTON MODEL K1051	26
WINCH, FULTON MODEL K1550	28
WINCH, FULTON MODEL K2550	30
PTO SHAFT, NON-SEPERABLE ("G & G")-12R	32
PTO SHAFT, NON-SEPERABLE ("G & G")-14R	34
PTO SHAFT ("G & G")-12R	36
PTO SHAFT ("G & G")-14R	38
PTO SHAFT ("WEASLER")-12R	40
PTO SHAFT ("WEASLER")*14R	42
TR PTO SHAFT ("G & G")-12R	44
TR PTO SHAFT ("G & G")-14R	46
TR PTO SHAFT ("WEASLER")-12R	48
TR PTO SHAFT ("WEASLER")-14R	50
CONSTANT VELOCITY PTO SHAFT ("WEASLER") 8" & 10"	52
CONSTANT VELOCITY PTO SHAFT ("WEASLER") 10" 81 & 91	54
CONSTANT VELOCITY PTO SHAFT ("WEASLER") 13" 61 & 71	56
CONSTANT VELOCITY PTO SHAFT ("WEASLER") 13" 81 91 & 111	58
HYDRAULIC MOTOR, CHAR-LYNN MODEL 104-1001 & 104-1002	60
HYDRAULIC MOTOR, CHAR-LYNN MODEL 130-1063 & 130-1074	62
MK GEARBOX-UPPER-MK80	64
MK GEARBOX-UPPER-MK100	66
MK GEARBOX-UPPER-MK130	68
MK GEARBOX-LOWER-MK80	70
MK GEARBOX-LOWER-MK100	72
MK GEARBOX-LOWER-MK130	74

# TABLE OF CONTENTS

DESCRIPTION	PAGE
MK130 PLUS GEARBOX-UPPER-27560	76
MK130 PLUS GEARBOX-LOWER-27561	78
GEARBOX MODEL 2103 ("PRAIRIE")	80
GEARBOX MODEL 2306 ("PRAIRIE")	82
RIGHT ANGLE DRIVE PTO (WEASLER)-14R	84
RIGHT ANGLE DRIVE PTO (WEASLER)-35R	86
SIDEWINDER JACK-FULTON	88
SIDEWINDER JACK-RAM	90
SIDEWINDER JACK-CROWN	92
INCLINED HOPPER, H08-6&9	94
INCLINED HOPPER, H10-6&9	96
STRAIGHT HOPPER SWH	98
SWIVEL ARC KIT A114	100
WHEEL KIT, H08-4	102
WHEEL KIT, H10-4	104
WHEEL KIT, H13-4	106
WHEEL KIT WR & TFX AUGER 8"	108
WHEEL KIT WR & TFX AUGER 10"	110
WHEEL KIT WR & TFX AUGER 13"	112
INTAKE HOPPER 8"	114
INTAKE HOPPER 10"	116
INTAKE HOPPER 13"	118
INCLINED HOPPER: S08-6&9	120
INCLINED HOPPER: S10-6&9	122
INCLINED HOPPER: S13-10	124
A202 EMD SPEED REDUCER: W & W80-56-71	126
A202 EMD SPEED REDUCER: W & WR100	128
A197, HYDRAULIC WINCH	130
HYDRAULIC DRIVE KIT, H08-2	132
HYDRAULIC DRIVE KIT, H10-2	134
ELECTRIC DRIVE KIT, H08-3	136
ELECTRIC DRIVE KIT, H10-3	138
ELECTRIC DRIVE KIT, H13-3	140

# GEARBOX MODEL 211A ("CURTIS")



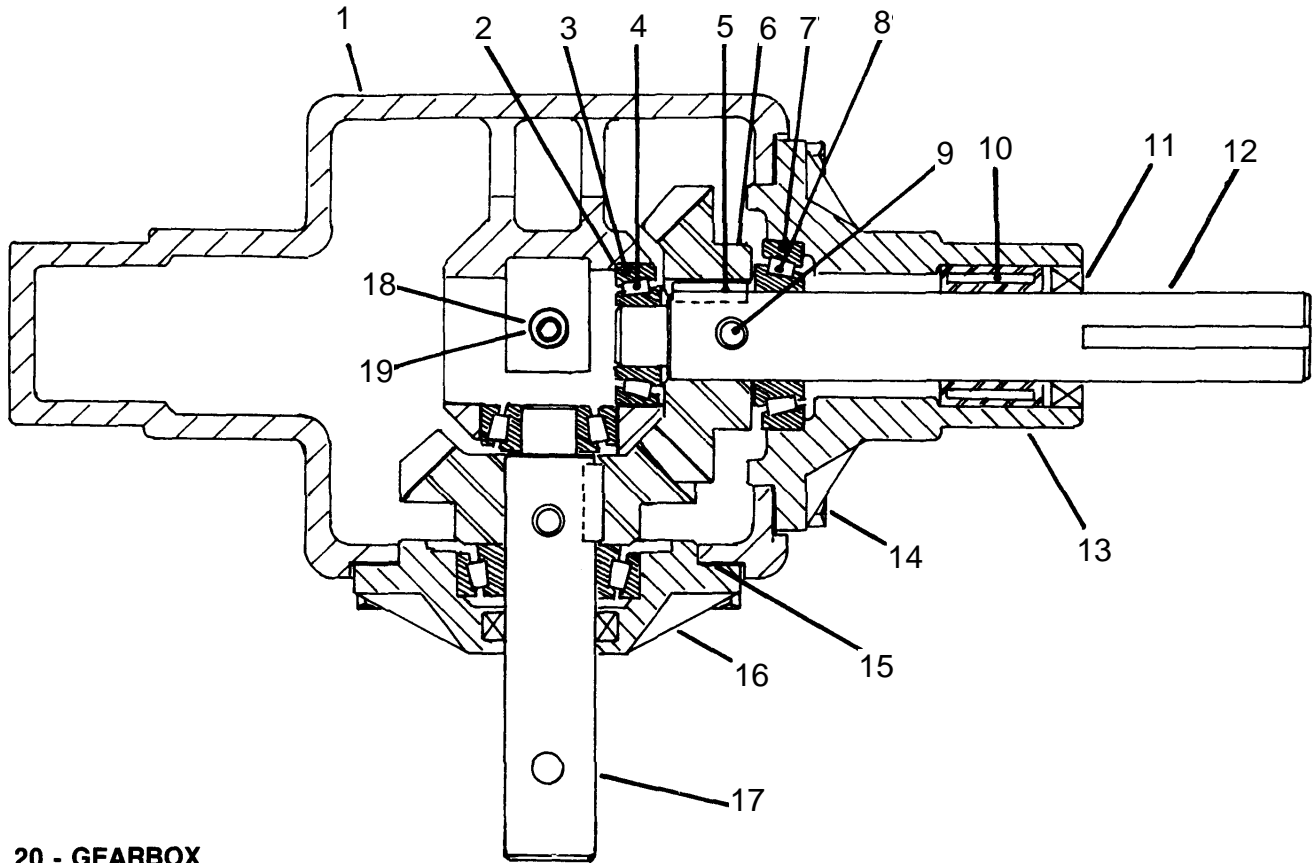
**Used on W60/70 PTO-SD augers, W80 PTO-SD augers to 51'**

Check make and model of gearbox before ordering parts.

## GEARBOX MODEL 211A ("CURTIS")

ITEM	PART NO.	DESCRIPTION
1	10-18395	Housing
2	10-18391	Cap
3	10-18392	Shaft
4	10-18383	Bearing cone, Timken #L 44643
5	10-18382	Bearing cup, Timken #L 44610
6	10-18379	Bearing cone, Timken #LM 11749
7	10-18378	Bearing cup, Timken #LM 11710
8	10-18381	Gear
9	10-18386	Seal, (National #470553, CR #9843)
10	10-18396	Shaft
11	10-18079	Rod pin, 5/16" x 2"
12	10-18380	Sq. key, 1/4" x 3/4"
13	10-18091	5/16" X 1" NC BOLT GR 2 PLTD
14	10-18390	Gasket (.005)
15	10-18393	1/4" pipe plug-solid
16	10-18394	1/4" pipe plug-vented

# GEARBOX MODEL 211 M4A ("CURTIS")



20 - GEARBOX

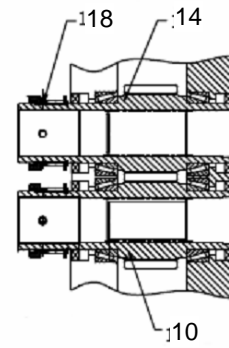
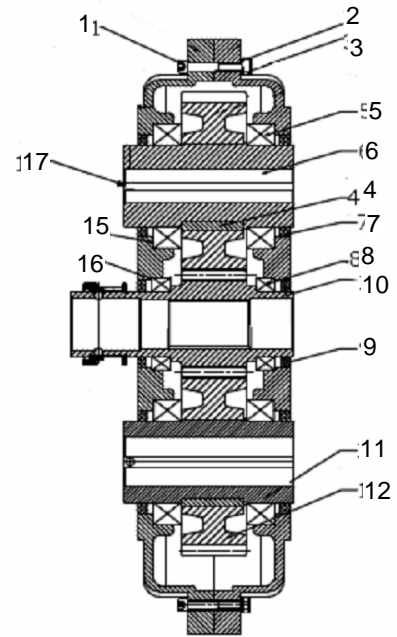
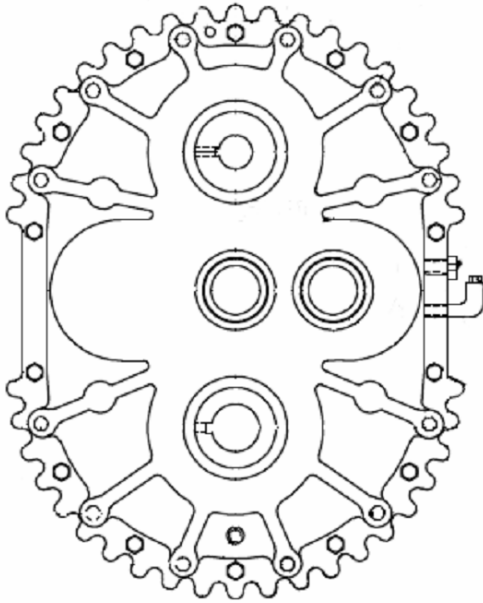
**(Used on Augers with PTO-BD drive)**

Check make and model of gearbox before ordering parts.

## GEARBOX MODEL 211 M4A ("CURTIS")

ITEM	PART NO.	DESCRIPTION
1	10-18376	Housing
2	10-18377	Shim (.005)
3	10-18378	Bearing cup, Timken #LM 11710
4	10-18379	Bearing cone, Timken #LM 11749
5	10-18380	Sq. key, 1/4" x 3/4"
6	10-18381	Gear
7	10-18382	Bearing cup, Timken #LM 44610
8	10-18383	Bearing cone, Timken #LM 44643
9	10-18079	Roll pin
10	10-18385	Bushing
11	10-18386	Seal, (National #470553, CR #9843)
12	10-18387	Shaft
13	10-18388	Cap
14	10-18091	5/16" X 1" NC BOLT GR 2 PLTD
15	10-18390	Gasket (.005)
16	10-18391	Cap
17	10-18392	Shaft
18	10-18393	1/4" pipe plug-solid
19	10-18394	1/4" pipe plug-vented
20	10-19473	Gearbox, complete

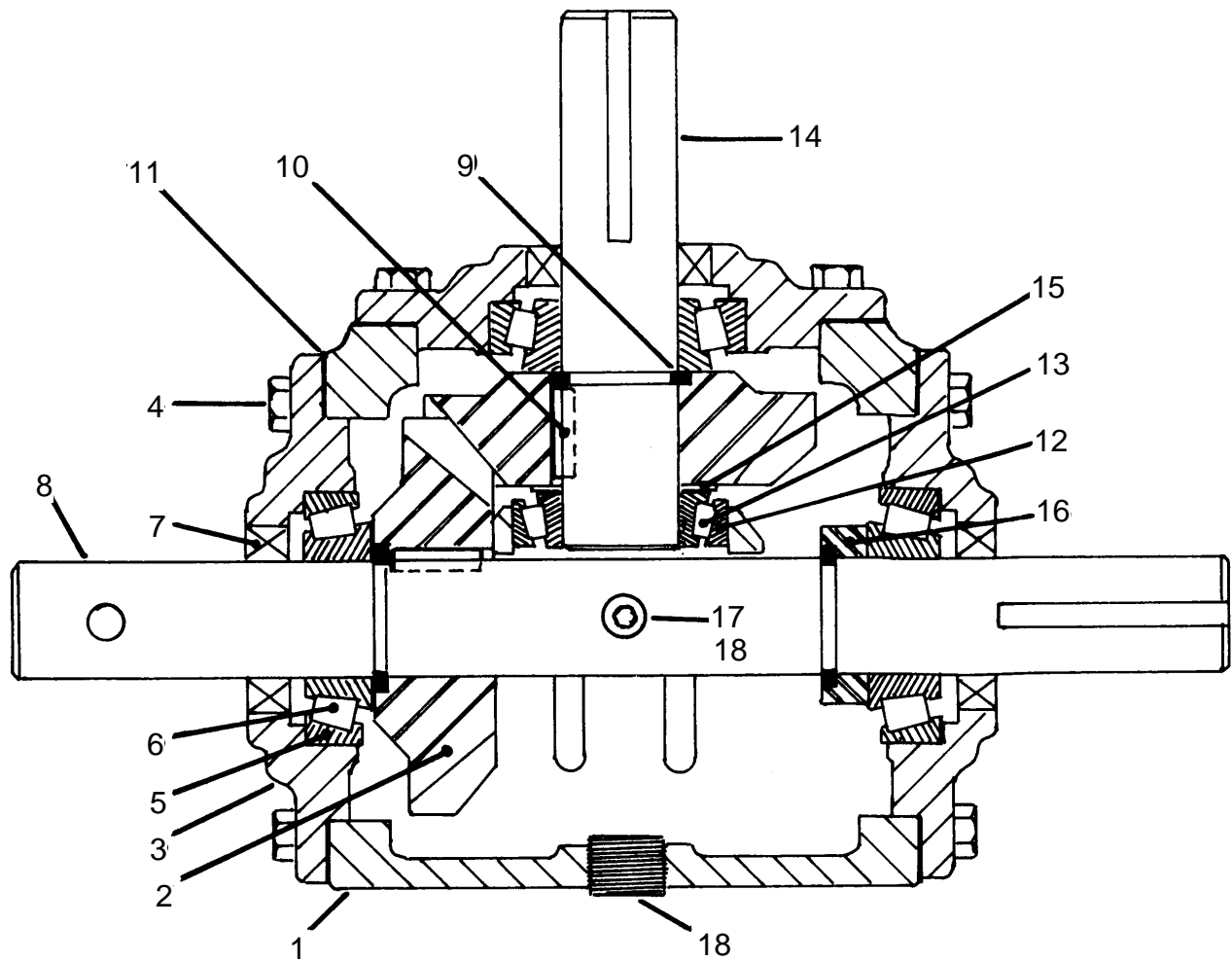
# GEARBOX MODEL A218 AND A262 ("HELICAL")



## GEARBOX MODEL A218 AND A262 (“HELICAL”)

ITEM	PART NO.	DESCRIPTION
1	10-19965	5/16" X 2-3/4" NC BOLT GR 2 PLTD
2	10-19603	5/16" LOCK WASHER PLTD
3	10-19595	5/16" NC SERRATED FLANGE NUT PLTD
4	10-29282	KEY 56x12
5	10-29068	BEARING 32015 (SMALL)
6	10-29280	OUTPUT SHAFT
7	10-28527	OIL SEAL 95x75x10
8	10-29067	BEARING 32912 (LARGE)
9	10-28526	OIL SEAL 80x60x8
10	10-29279	IDLER SLEEVE 19T
11	10-29278	OUTPUT SHAFT
12	10-29277	OUTPUT GEAR M4.5 35T
13	10-28603	CENT PLUG 1/4" W/ ELBOW UNION (NOT SHOWN)
14	10-29276	INPUT SHAFT 19T
15	10-29275	SPACER
16	10-29274	SPACER
17	10-29273	CAP SCREW 5/16-18UNC
18	10-29272	LOCKING SYSTEM

# GEARBOX MODEL 412 ("CURTIS")



19 - GEARBOX

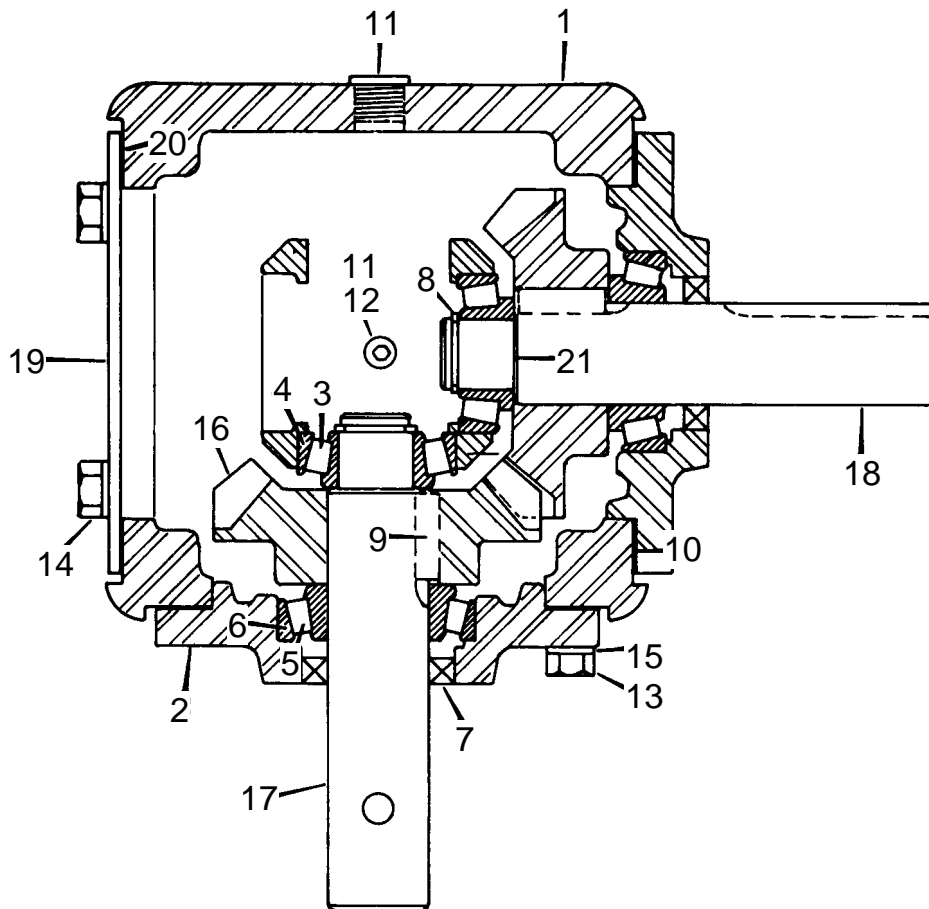
**(Used on W80 - 56' to 71' augers)**

Check make and model of gearbox before ordering parts.

## GEARBOX MODEL 412 ("CURTIS")

ITEM	PART NO.	DESCRIPTION
1	10-18397	Housing
2	10-18398	Gear
3	10-18399	Cap
4	10-19955	Bolt, 3/8" - 16 x 1", grade 2
5	10-18401	Bearing cup, Timken #14276
6	10-18402	Bearing cone, Timken #14124
7	10-18403	Seal, (National #470163, CR #12458)
8	10-18404	Shaft
9	10-18405	Retaining ring
10	10-18406	Sq. key, 1/4" x 1-1/8"
11	10-18407	Gasket (.005)
12	10-19266	Bearing cup, Timken #LM 67010
13	10-19265	Bearing cone, Timken #LM 67048
14	10-18410	Shaft
15	10-18411	Shim (.005)
16	10-18412	Thrust collar
17	10-18413	1/2" pipe plug-vented
18	10-18414	1/2" pipe plug-solid
19	10-19585	Gearbox, complete

# GEARBOX MODEL 403 ("PRAIRIE")



## 22 - GEARBOX

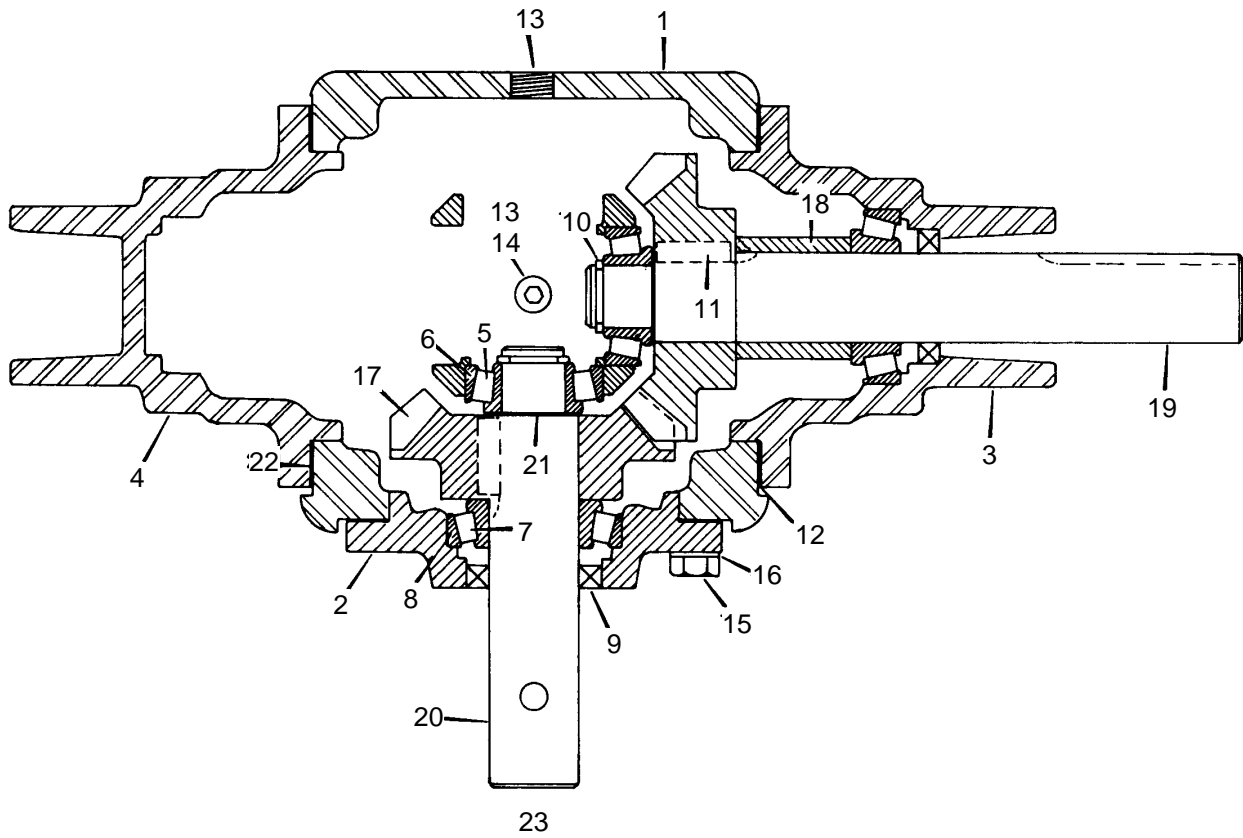
**(Used on W60, 70, 80 PTO-SD Augers to 51')**

Check make and model of gearbox before ordering parts.

## GEARBOX MODEL 403 ("PRAIRIE")

ITEM	PART NO.	DESCRIPTION
1	10-18395	Housing
2	10-18391	Bearing cap
3	10-18379	Bearing cone, Timken #LM 11749
4	10-18378	Bearing cup, Timken #LM 11710
5	10-18383	Bearing cone, Timken #L 44643
6	10-18382	Bearing cup, Timken #L 44610
7	10-18386	Seal, (National #470553, CR #9843)
8	10-18420	Retainer
9	10-18380	Sq. key, 1/4" x 3/4"
10	10-18390	Gasket (.005)
11	10-18393	1/4" pipe plug, solid
12	10-18394	1/4" pipe plug, vented
13	10-18091	5/16" X 1" NC BOLT GR 2 PLTD
14	10-19538	Bolt, 5/16" - 18 x 3/4", grade 2
15	10-19603	Lockwasher, 5/16"
16	10-18381	Gear
17	10-18409	Pinion shaft
18	10-18416	Pinion shaft
19	10-18419	Cover plate
20	10-18390	Gasket
21	10-18415	Shim spacer
22	10-19455	Gearbox, complete

# GEARBOX MODEL 416 ("PRAIRIE")



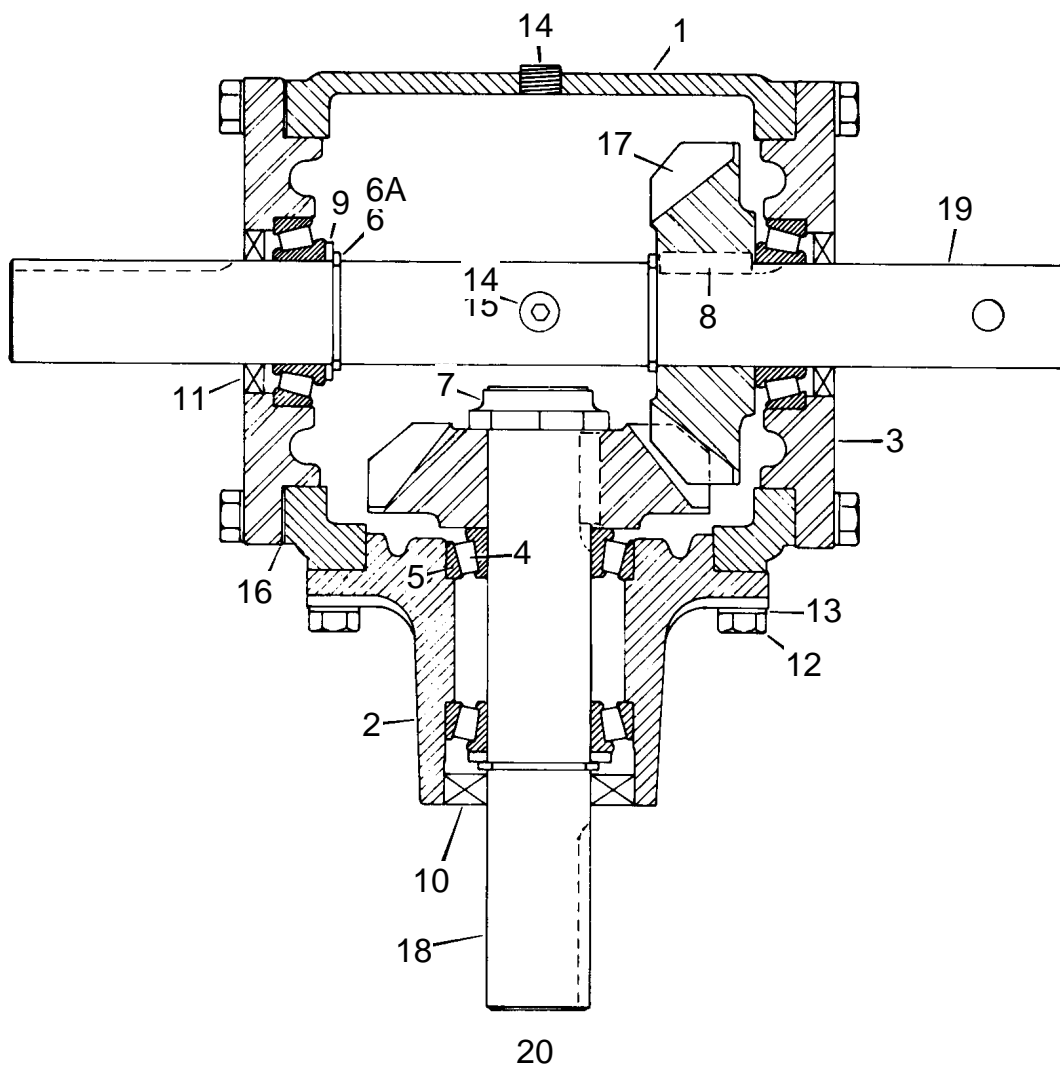
**(Used on PTO-BD Augers)**

Check make and model of gearbox before ordering parts.

## GEARBOX MODEL 416 ("PRAIRIE")

ITEM	PART NO.	DESCRIPTION
1	10-18395	Housing
2	10-18391	Bearing cap
3	10-18417	Bearing cap
4	10-18418	Cover cap
5	10-18379	Bearing cone, Timken #LM 11749
6	10-18378	Bearing cup, Timken #LM 11710
7	10-18383	Bearing cone, Timken #L 44643
8	10-18382	Bearing cup, Timken #1 44610
9	10-18386	Seal, (National \$470553, CR #9843)
10	10-18420	Retainer
11	10-18380	Sq. key, 1/4" x 3/4"
12	10-18390	Gasket (.005)
13	10-18393	1/4" pipe plug, solid
14	10-18394	1/4" pipe plug, vented
15	10-18091	5/16" X 1" NC BOLT GR 2 PLTD
16	10-19603	Lockwasher, 5/16"
17	10-18381	Gear
18	10-18384	Spacer
19	10-18408	Pinion shaft, w/keyway
20	10-18409	Pinion shaft, w/hole
21	10-18415	Shim spacer
22	10-18390	Gasket
23	10-19473	Gearbox, complete

# GEARBOX MODEL 606 ("PRAIRIE")

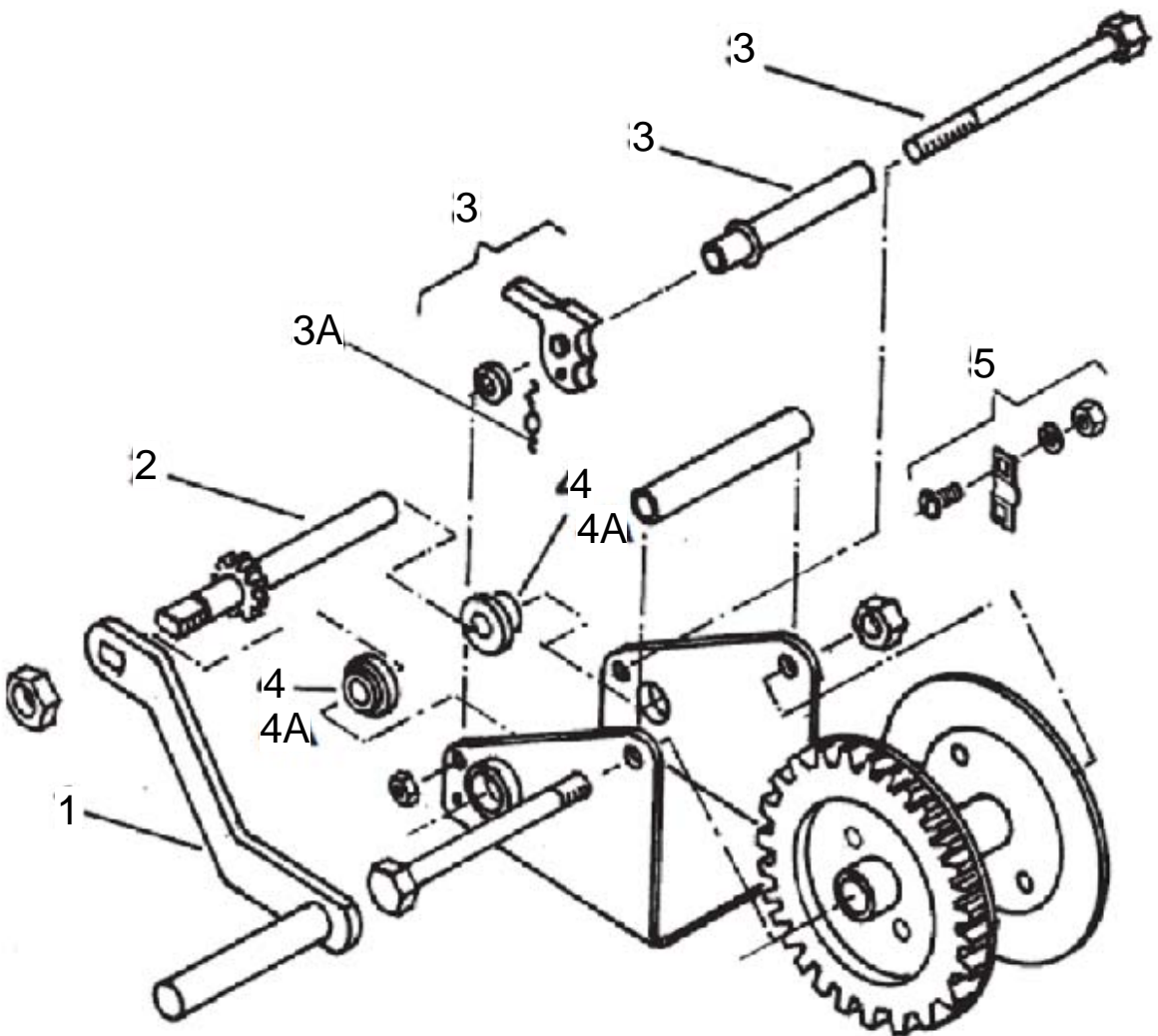


**(Used on W80 - 56'/61'/71' PTO-SD Augers  
and W100 PTO-SD Augers)**

Check make and model of gearbox before ordering parts.

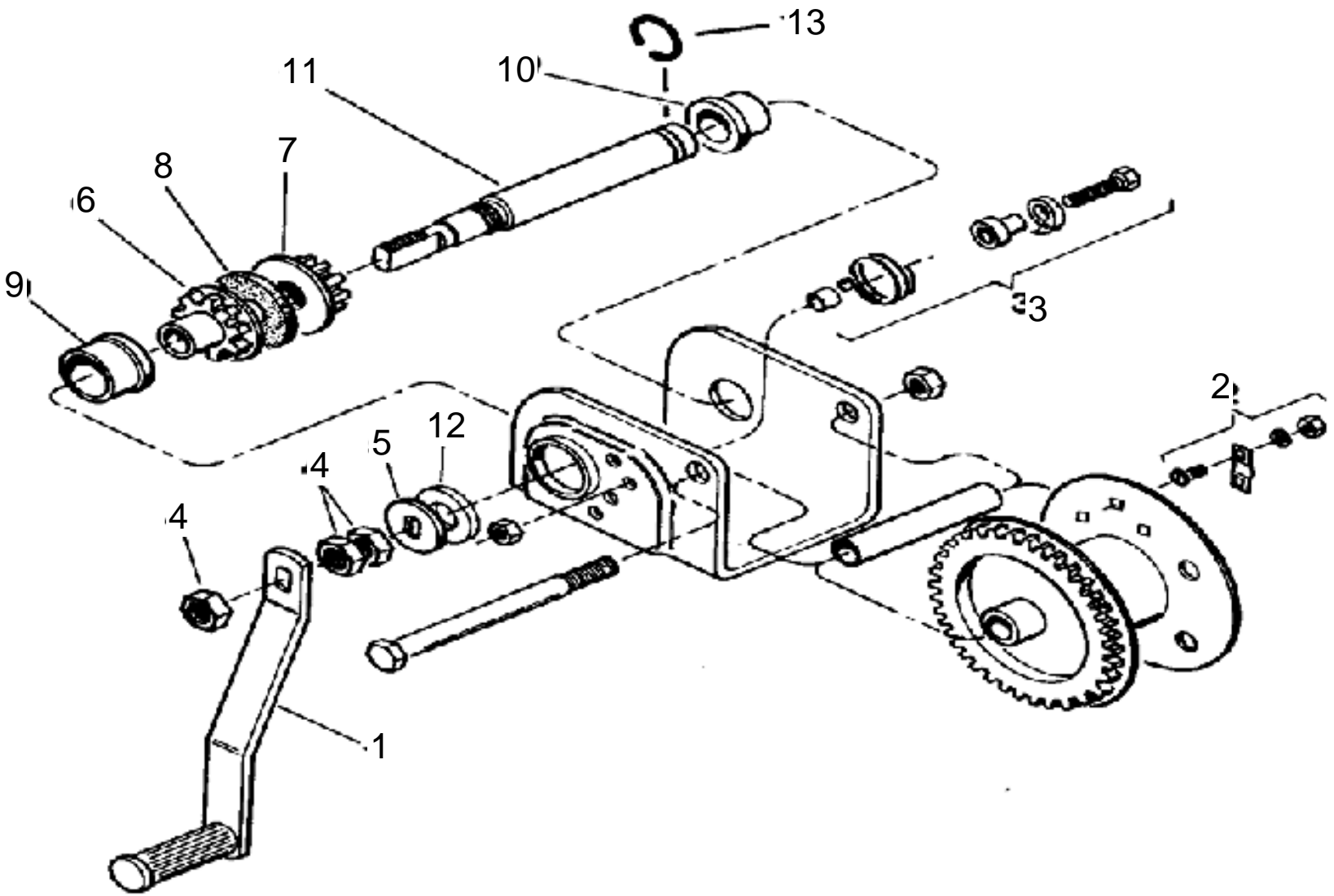
## GEARBOX MODEL 606 ("PRAIRIE")

ITEM	PART NO.	DESCRIPTION
1	10-18421	Housing
2	10-18422	Pinion housing
3	10-18423	Bearing cap
4	10-19265	Bearing cone, Timken #LM 67048
5	10-19266	Bearing cup, Timken #LM 67010
6	10-18405	Retainer, wide (0.159")
6A	10-18962	Retainer, narrow (0.095")
7	10-18424	Stake nut
8	10-18406	Sq. key, 1/4" x 1-1/8"
9	10-18426	Spacer
10	10-18427	Seal, CR #12614
11	10-18403	Seal, (National #470163, CR #12458)
12	10-19955	Bolt, 3/8" - 16 x 1", grade 2
13	10-19604	Lockwasher, 3/8
14	10-18393	1/4" pipe plug, solid
15	10-18394	1/4" pipe plug, vented
16	10-18553	Gasket (.005)
17	10-18428	Gear
18	10-18429	Pinion shaft
19	10-18430	Thru shaft
20	10-19585	Gearbox, complete



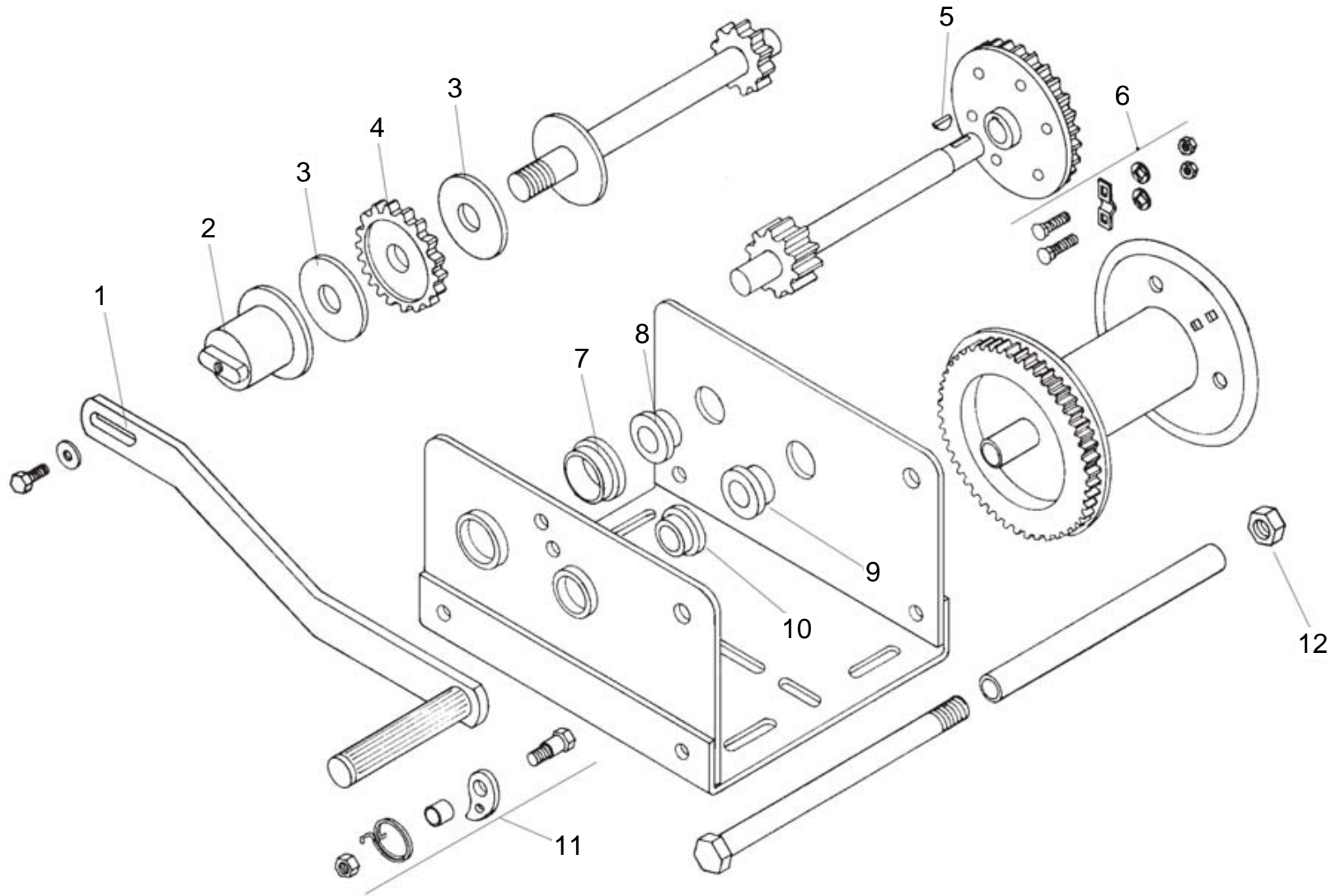
## WINCH, FULTON MODEL T1602

ITEM	PART NO.	DESCRIPTION
1	10-18587	Handle assembly
2	10-18588	Pinion shaft
3	10-18589	Ratchet kit
3A	10-27553	Spring only for T1602 winch
4	10-18592	Bushing
4A	10-28147	1/2"ID x 7/8" OD Bushing (New Style) (not shown)
5	10-18496	Rope keeper kit
6	10-19141	Winch, complete



## WINCH, FULTON MODEL K1050

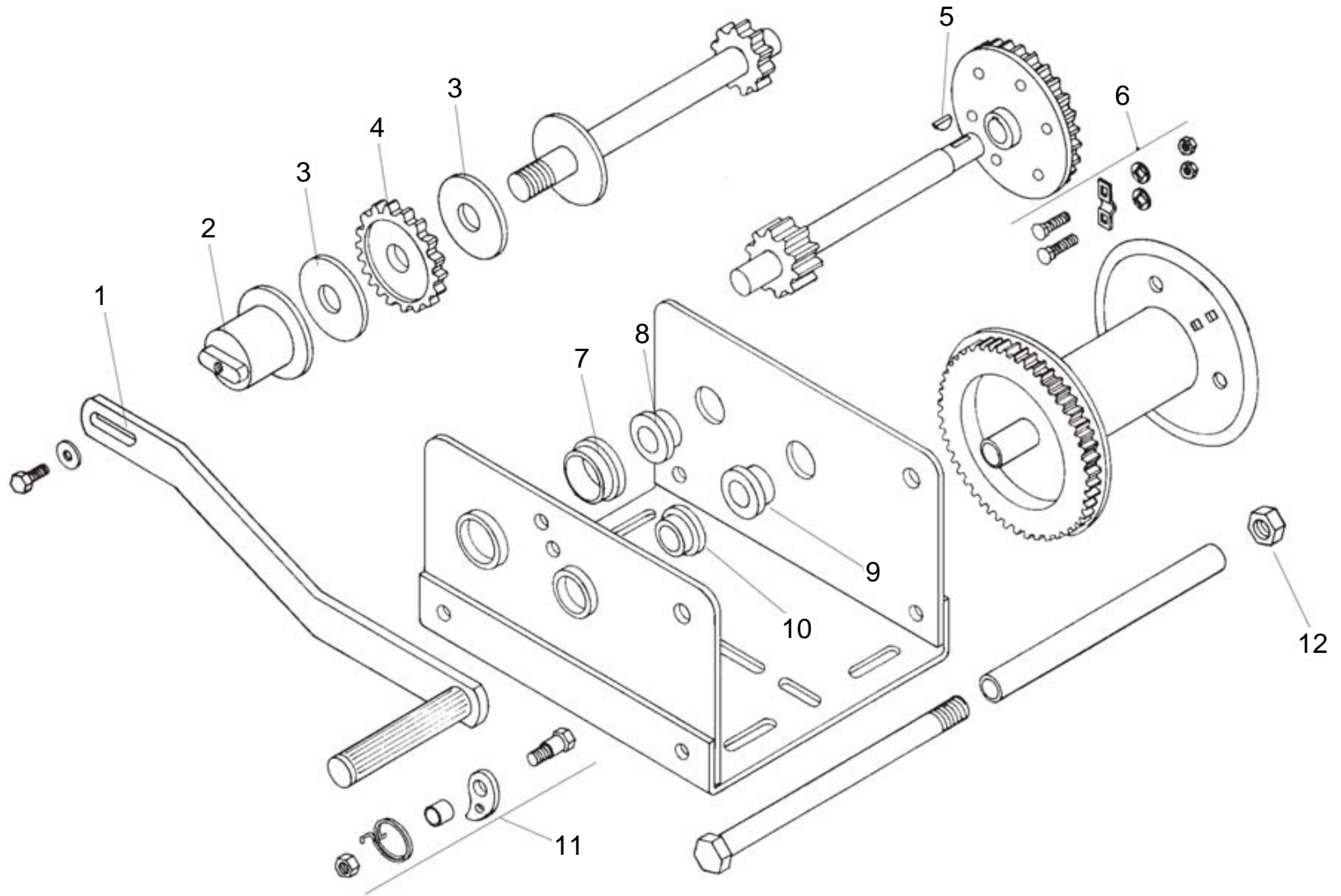
ITEM	PART NO.	DESCRIPTION
1	10-18561	Handle assembly
2	10-18496	Rope keeper kit
3	10-18439	Ratchet kit
4	10-18567	Locknut, 1/2" - 13
5	10-18580	Brake disc
6	10-18581	Ratchet assembly
7	10-18582	Pinion gear assembly
8	10-18583	Friction disc
9	10-18437	Steel bushing,
10	10-18438	Steel bushing
11	10-18584	Pinion shaft
12	10-18585	Thrust washer
13	10-18436	Retainer ring
14	10-19151	Winch, complete



Note: Check make and model of winch before ordering parts

## WINCH, FULTON MODEL K2500

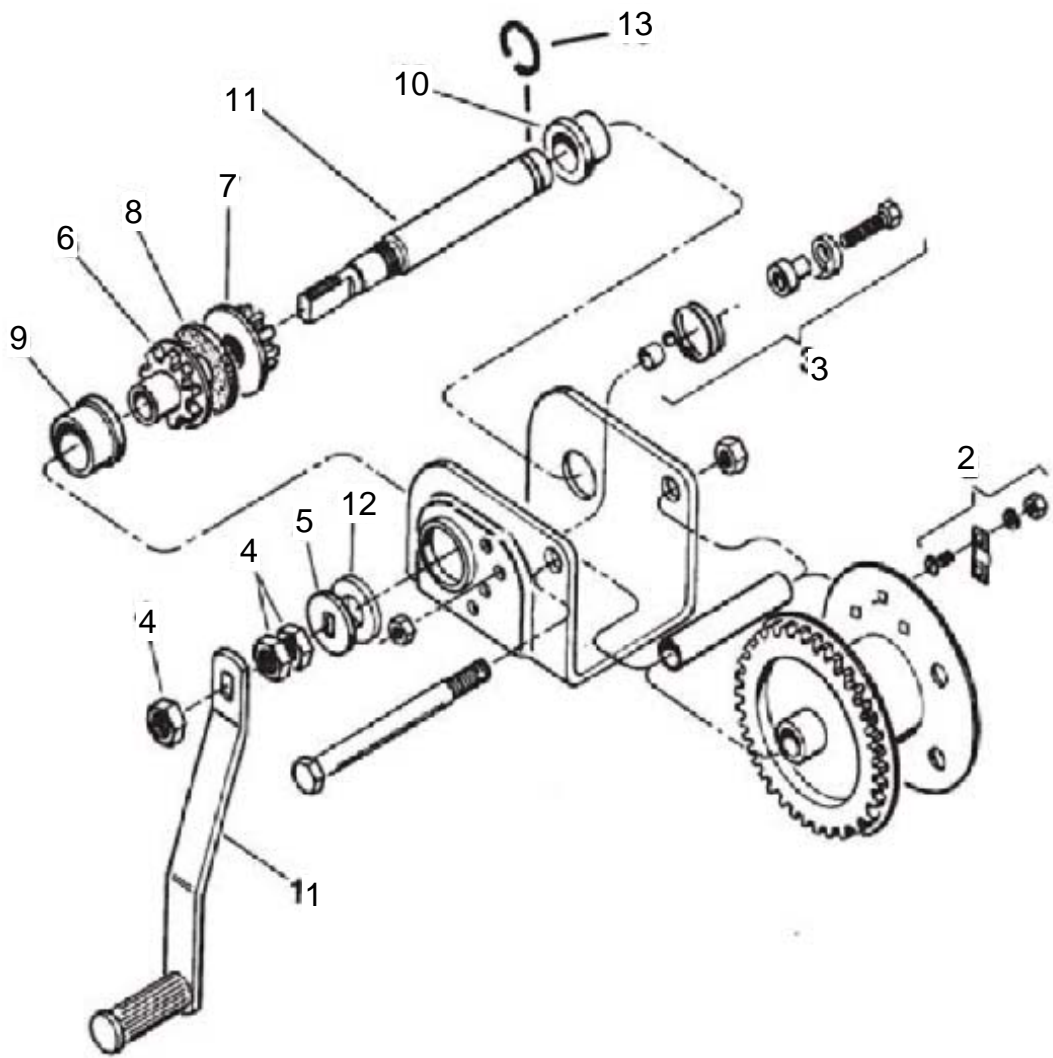
ITEM	PART NO.	DESCRIPTION
1	10-18492	Handle assembly
2	10-18493	Brake nut assembly
3	10-18494	Friction disc
4	10-18495	Ratchet gear
5	10-18556	Woodruff key, 1/8" x 5/8"
6	10-18496	Rope keeper kit
7	10-18437	Steel bushing
8	10-18498	Steel bushing
9	10-18498	Steel bushing
10	10-18557	Steel bushing N/A
11	10-18497	Ratchet kit
12	10-19600	Locknut, 5/8" - 11
13	10-19569	Winch, complete



Note: Check make and model of winch before ordering parts

## WINCH, FULTON MODEL K2501

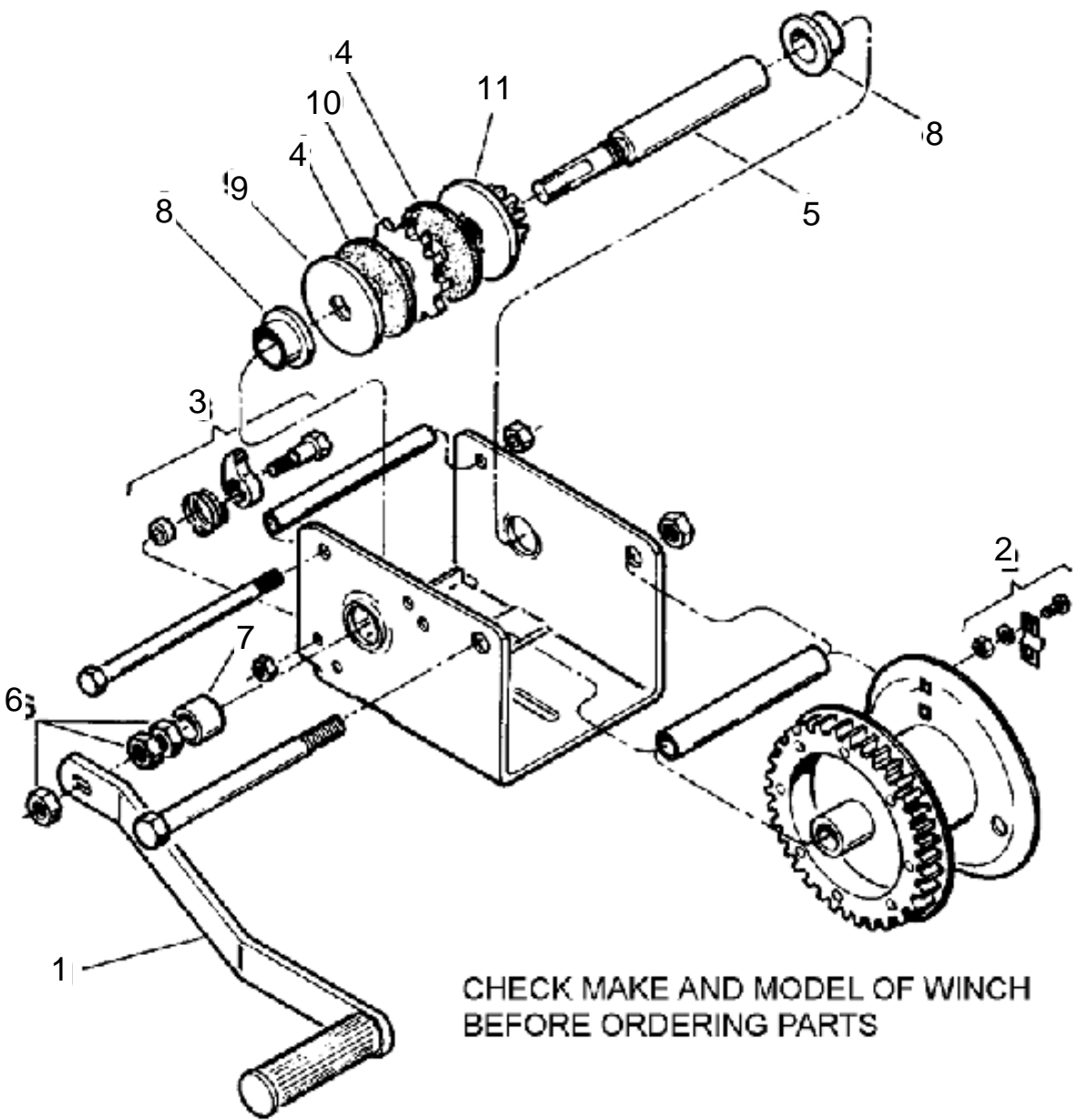
ITEM	PART NO.	DESCRIPTION
1	10-18492	Handle assembly
2	10-18493	Brake nut assembly
3	10-18494	Friction disc
4	10-18495	Ratchet gear
5	10-18556	Woodruff key, 1/8" x 5/8"
6	10-18496	Rope keeper kit
7	10-18437	Steel bushing
8	10-18526	Steel bushing
9	10-18558	Steel bushing
10	10-18526	Steel bushing
11	10-18497	Ratchet kit
12	10-19600	Locknut, 5/8" - 11
13	10-19569	Winch, complete



Note: Check make & model of winch

## WINCH, FULTON MODEL K1051

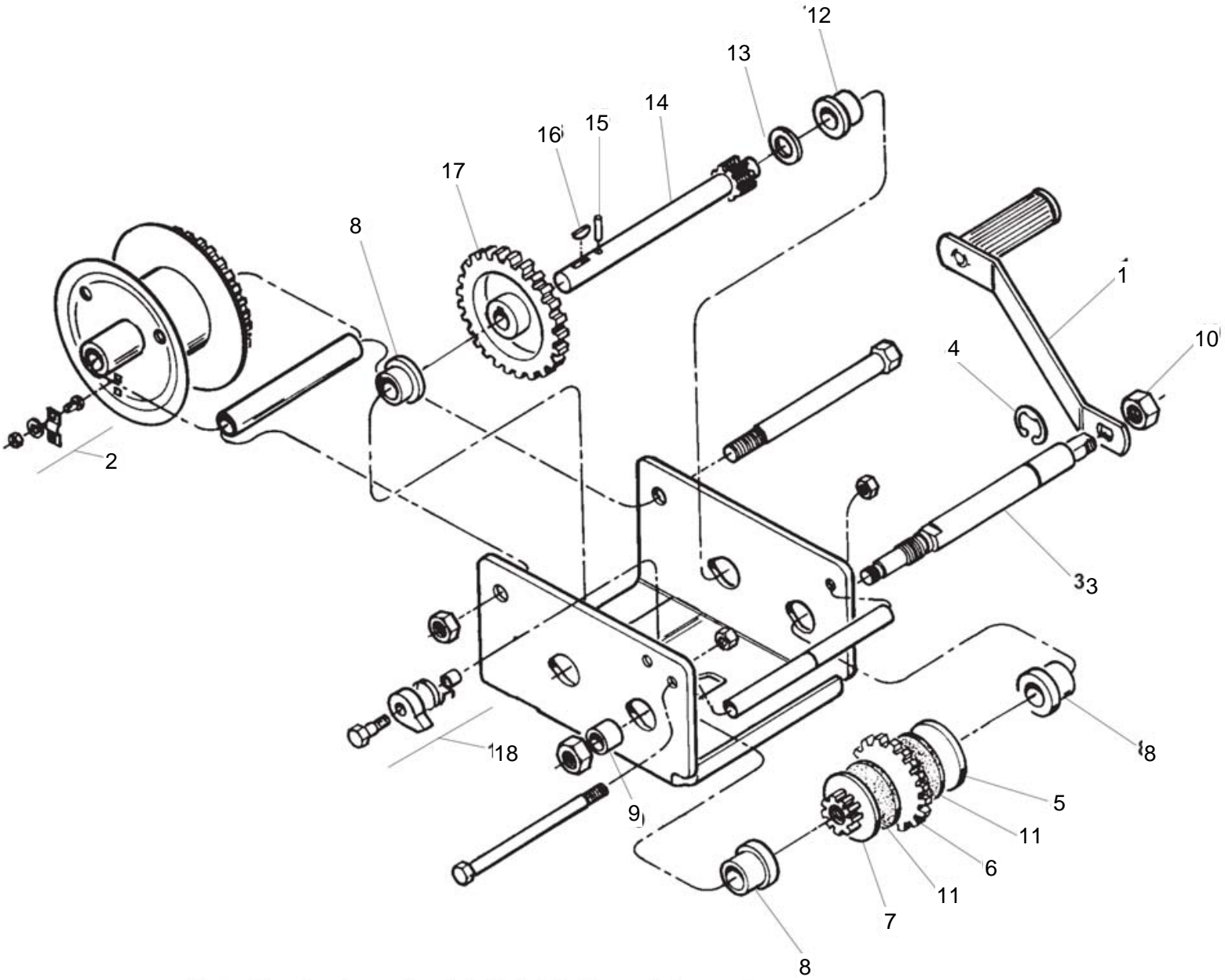
ITEM	PART NO.	DESCRIPTION
1	10-18561	Handle assembly
2	10-18496	Rope keeper kit
3	10-18439	Ratchet kit
4	10-18567	Locknut, 1/2" - 13
5	10-18580	Brake disc
6	10-18581	Ratchet assembly
7	10-18582	Pinion gear assembly
8	10-18583	Friction disc
9	10-18437	Bushing
10	10-18438	Bushing
11	10-18584	Pinion shaft
12	10-18585	Thrust washer
13	10-18436	Retainer ring
14	10-19151	Winch, complete



CHECK MAKE AND MODEL OF WINCH  
BEFORE ORDERING PARTS

## WINCH, FULTON MODEL K1550

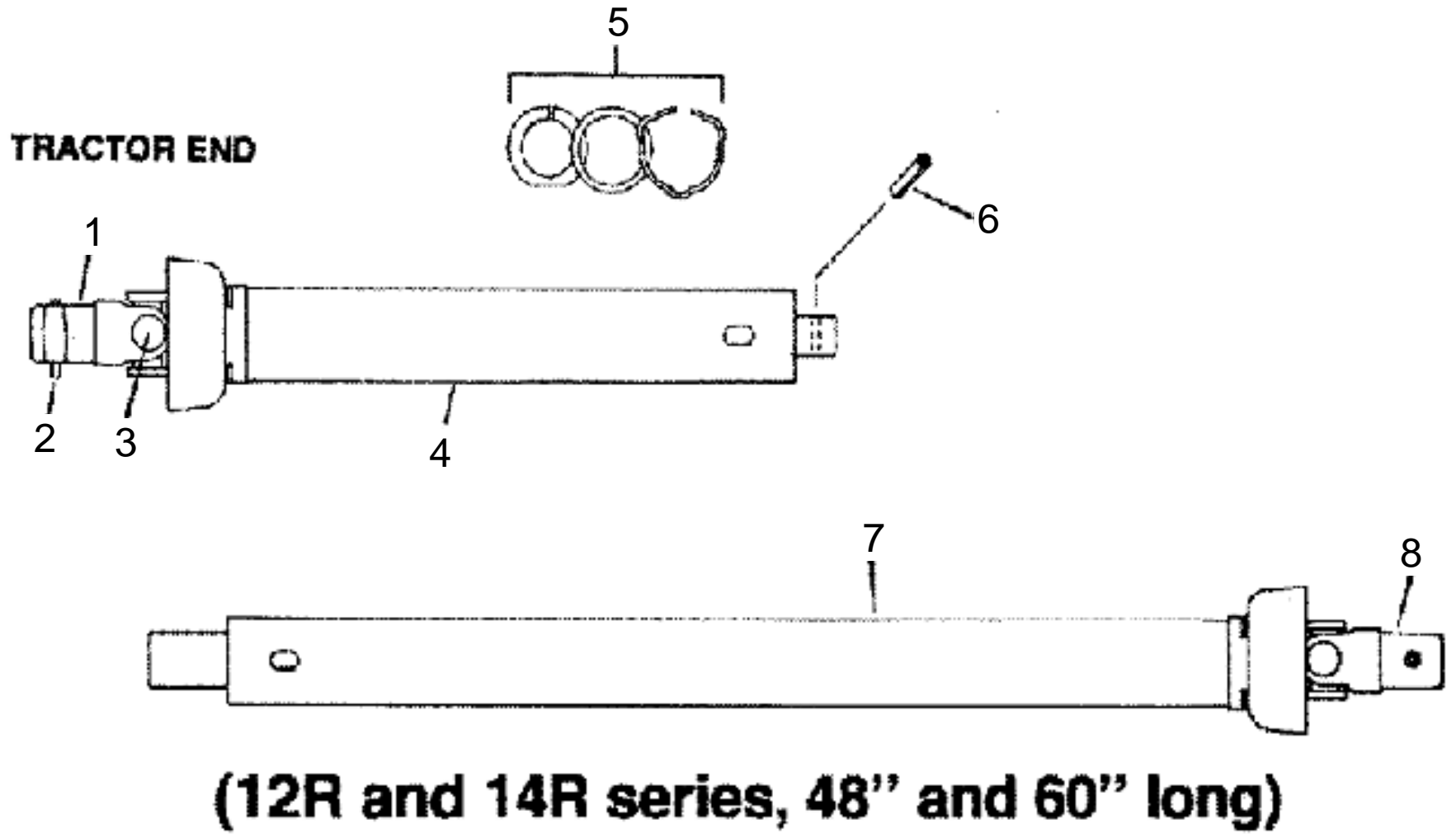
ITEM	PART NO.	DESCRIPTION
1	10-18561	Handle assembly
2	10-18496	Rope keeper kit
3	10-18497	Ratchet kit
4	10-18573	Friction disc
5	10-18574	Input shaft
6	10-18567	Locknut, 1/2" - 13, special
7	10-18575	Spacer
8	10-18438	Steel bushing
9	10-18576	Brake disc
10	10-18577	Ratchet gear assembly
11	10-18578	Pinion and disc assembly
12	10-19152	Winch, complete



Note: Check make and model of winch before ordering parts

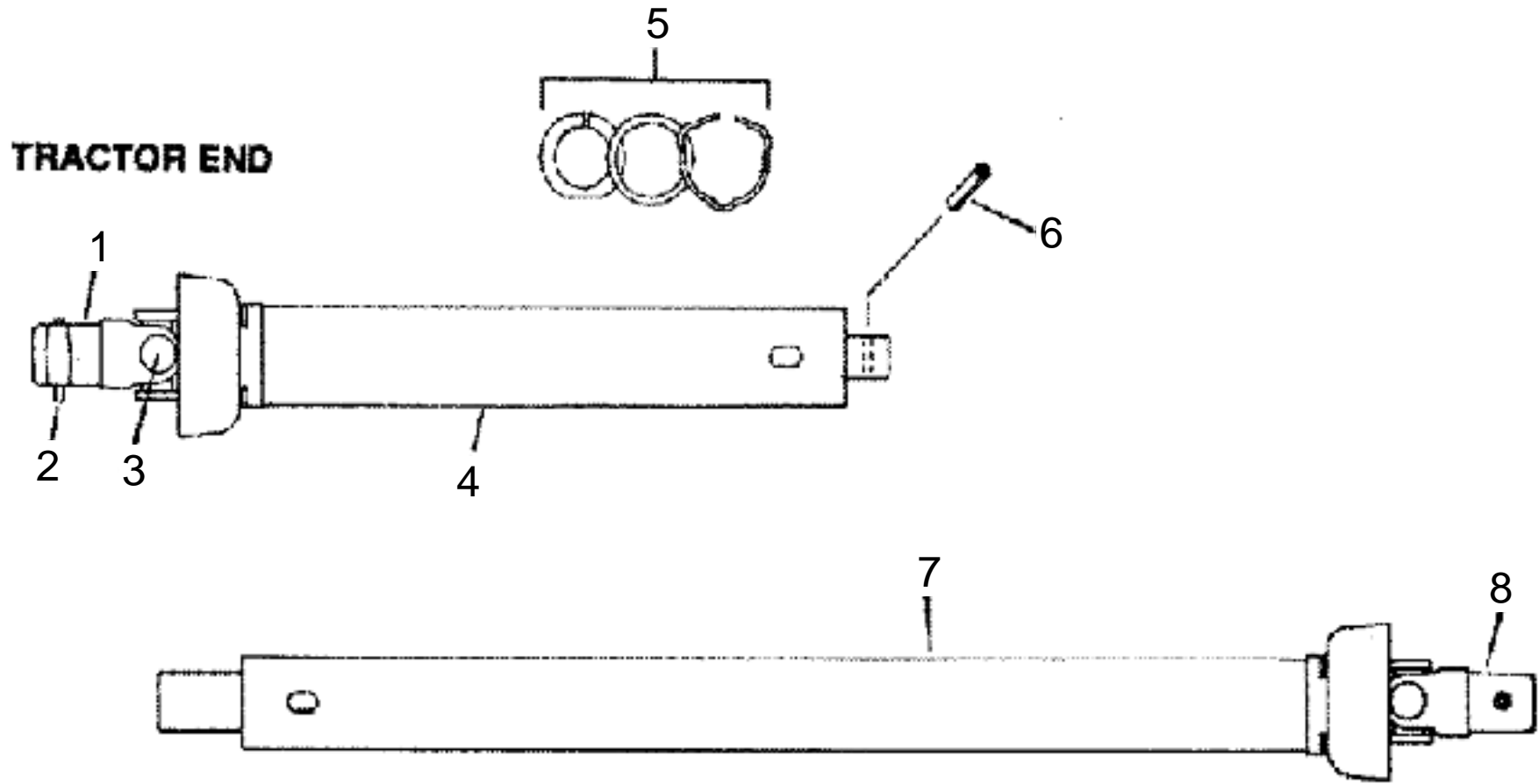
## WINCH, FULTON MODEL K2550

ITEM	PART NO.	DESCRIPTION
1	10-18561	Handle assembly
2	10-18496	Rope keeper kit
3	10-18562	Input shaft
4	10-18436	Retainer ring
5	10-18563	Brake disc
6	10-18564	Ratchet gear
7	10-18565	Pinion gear
8	10-18558	Steel bushing
9	10-18566	Spacer
10	10-18567	Locknut, 1/2" - 13, special
11	10-18568	Friction disc
12	10-18526	Steel bushing
13	10-18569	Washer, special
14	10-18570	Intermediate shaft assembly
15	10-18571	Roll pin (Fulton 212-01)
16	10-18556	Woodruff key, 1/8" x 5/8"
17	10-18572	Ratchet gear assembly
18	10-18497	Ratchet kit
19	10-19569	Winch, complete



## PTO SHAFT, NON-SEPERABLE ("G & G")-12R

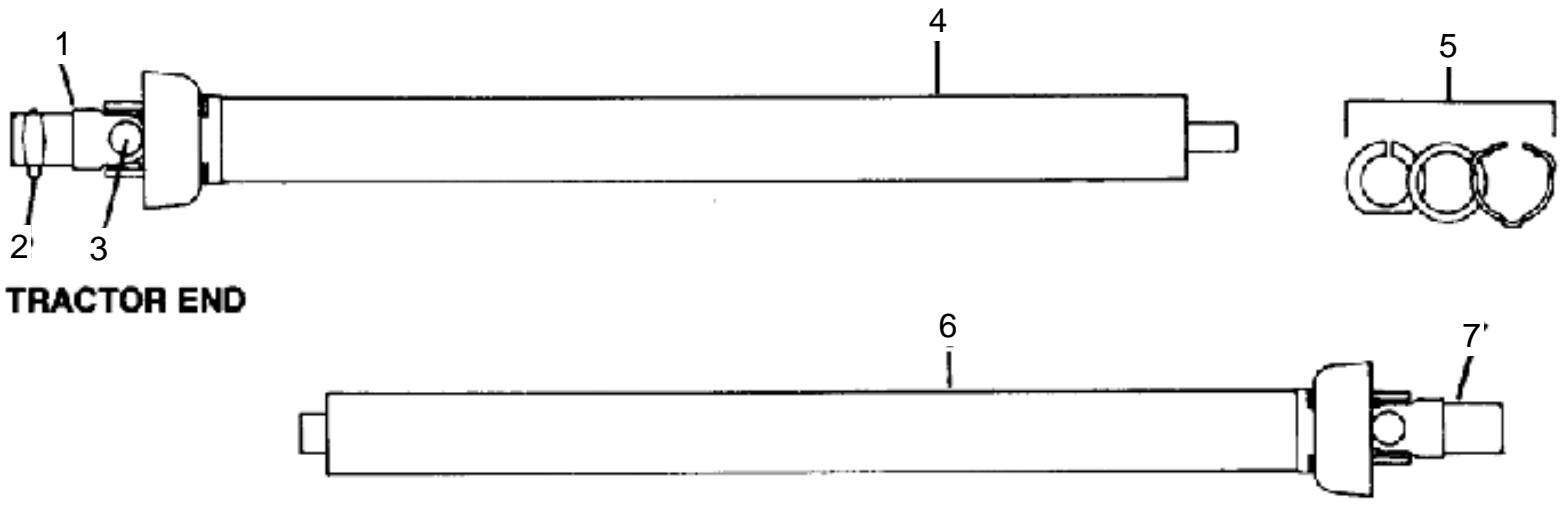
ITEM	PART NO.	DESCRIPTION
1	10-18471	Snap hitch yoke
2	10-18472	Pin, spring and keeper
3	10-18473	Repair kit, universal joint
4	10-19887	Outer plastic shield, 48" model
4	10-19890	Outer plastic shield, 60" model
5	10-18474	Nylon bearing, thrust washer, snap ring
6	10-18475	Roller pin, 5/16" x 1-1/4"
7	10-19888	Inner plastic shield, 48" model
7	10-19892	Inner plastic shield, 60" model
8	10-18476	Implement yoke, 1" bore



**(12R and 14R series, 48" and 60" long)**

## PTO SHAFT, NON-SEPERABLE ("G & G")-14R

ITEM	PART NO.	DESCRIPTION
1	10-18477	Snap hitch yoke
2	10-18478	Pin, spring and keeper
3	10-18459	Repair kit, universal joint
4	10-19887	Outer plastic shield, 48" model
4	10-19890	Outer plastic shield, 60" model
5	10-18474	Nylon bearing, thrust washer, snap ring
6	10-18475	Roller pin, 5/16" x 1-1/4"
7	10-19888	Inner plastic shield, 48" model
7	10-19892	Inner plastic shield, 60" model
8	10-18480	Implement yoke, 1-1/4" bore

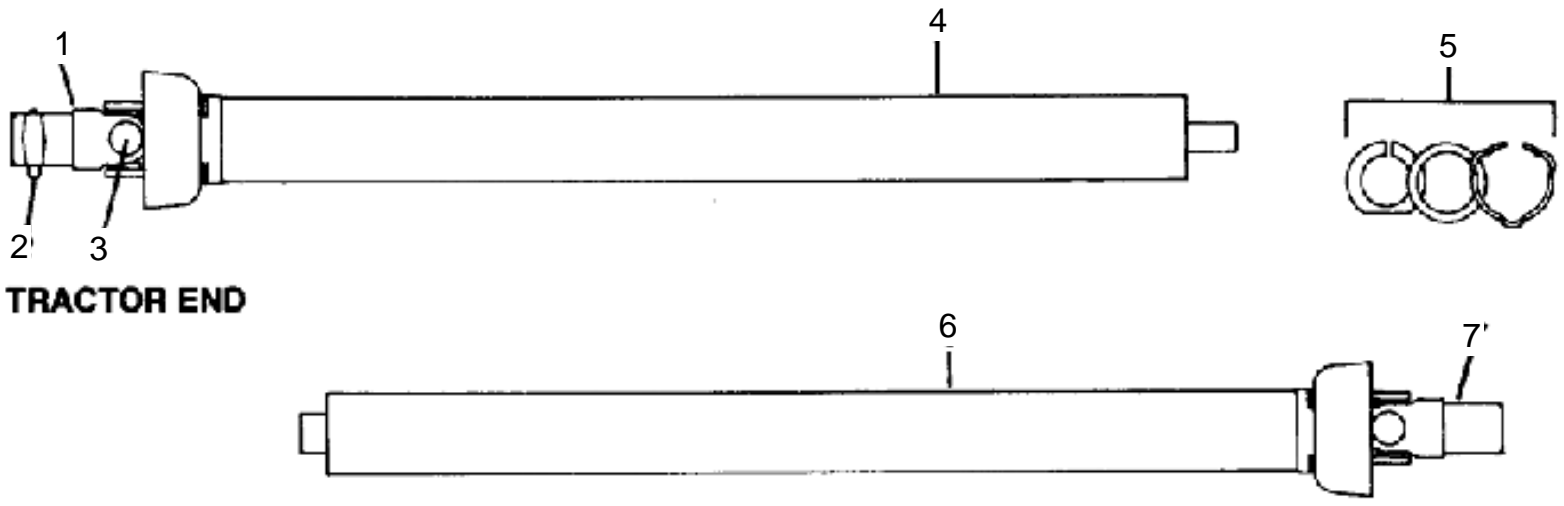


**TRACTOR END**

**(12R and 14R series, 48" long)**

## PTO SHAFT ("G & G")-12R

ITEM	PART NO.	DESCRIPTION
1	10-18471	Snap hitch yoke
2	10-18472	Pin, spring and keeper
3	10-18473	Repair kit, universal joint
4	10-18481	Outer plastic shield
5	10-18474	Nylon bearing, thrust washer, snap ring
6	10-18482	Inner plastic shield
7	10-18476	Implement yoke, 1" bore

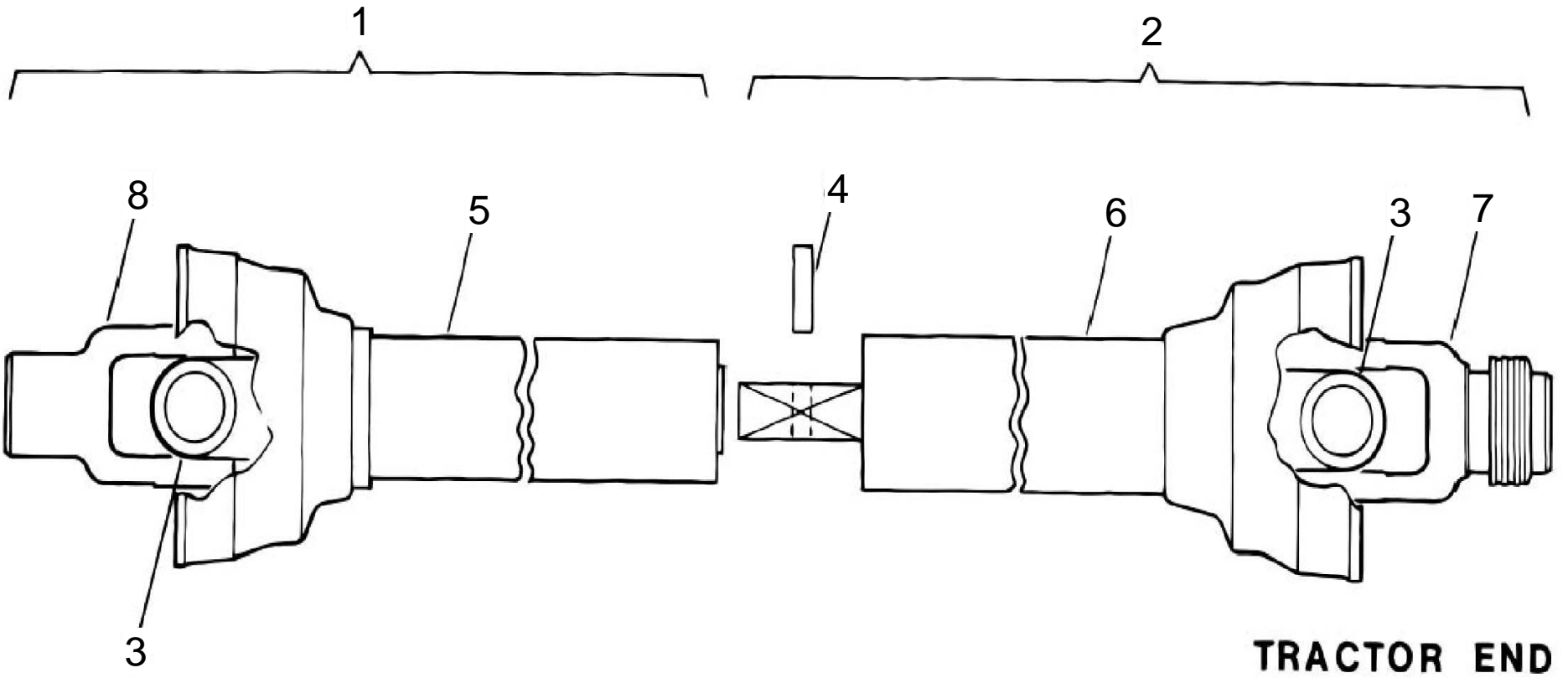


**TRACTOR END**

**(12R and 14R series, 48" long)**

## PTO SHAFT ("G & G")-14R

ITEM	PART NO.	DESCRIPTION
1	10-18477	Snap hitch yoke
2	10-18478	Pin, spring and keeper
3	10-18459	Repair kit, universal joint
4	10-18481	Outer plastic shield
5	10-18474	Nylon bearing, thrust washer, snap ring
6	10-18482	Inner plastic shield
7	10-18480	Implement yoke, 1-1/4" bore

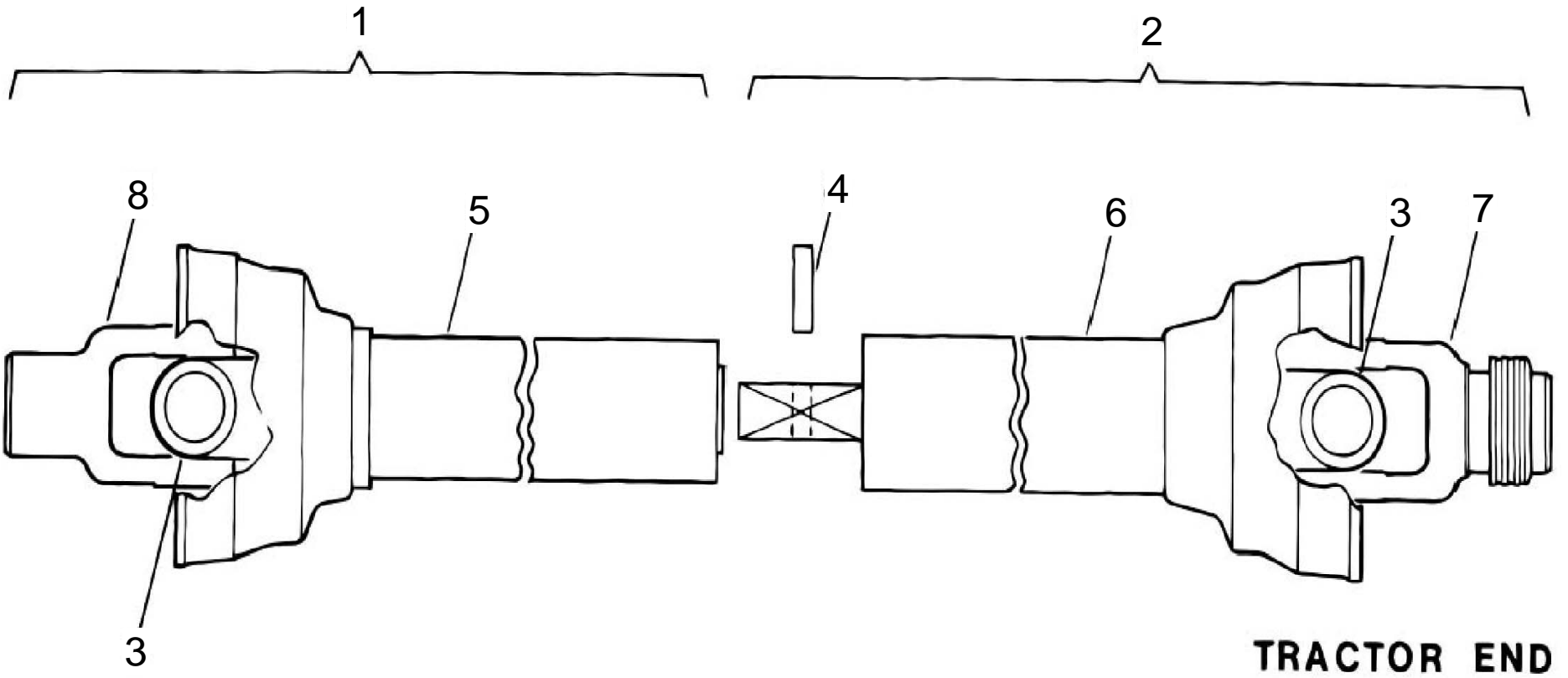


9) & 9A - PTO SHAFT

(48" & 60" LONG)

## PTO SHAFT ("WEASLER")-12R

ITEM	PART NO.	DESCRIPTION
1	10-18594	1/2 PTO shaft, implement end, 48"
1	10-18595	1/2 PTO shaft, implement end, 60"
2	10-18596	1/2 PTO shaft, tractor end, 48"
2	10-18597	1/2 PTO shaft, tractor end, 60"
3	10-18473	Universal joint repair kit
4	10-18593	Roll pin, 1/4" x 1"
5	10-18602	Inner plastic shield, 48", c/w retainer ring & nylon bearing
5	10-18603	Inner plastic shield, 60", c/w retainer ring and nylon bearing
6	10-18604	Outer plastic shield, 48", c/w retainer ring & nylon bearing
6	10-18605	Outer plastic shield, 60", c/w retainer ring & nylon bearing
7	10-18471	Snap hitch yoke
8	10-18476	Implement yoke, 1" bore
9	10-19520	48" PTO - Shaft, complete
9A	10-19945	60" PTO - Shaft, complete



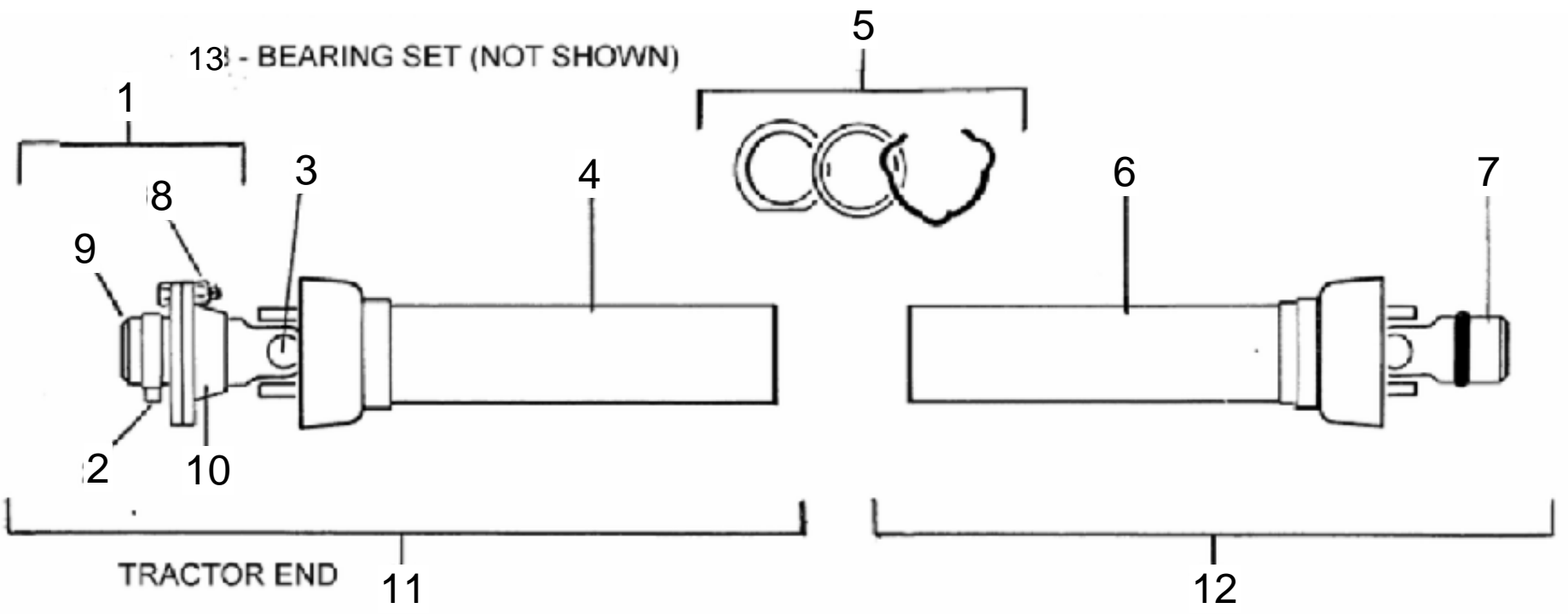
42

9) & 9A - PTO SHAFT

(48" & 60" LONG)

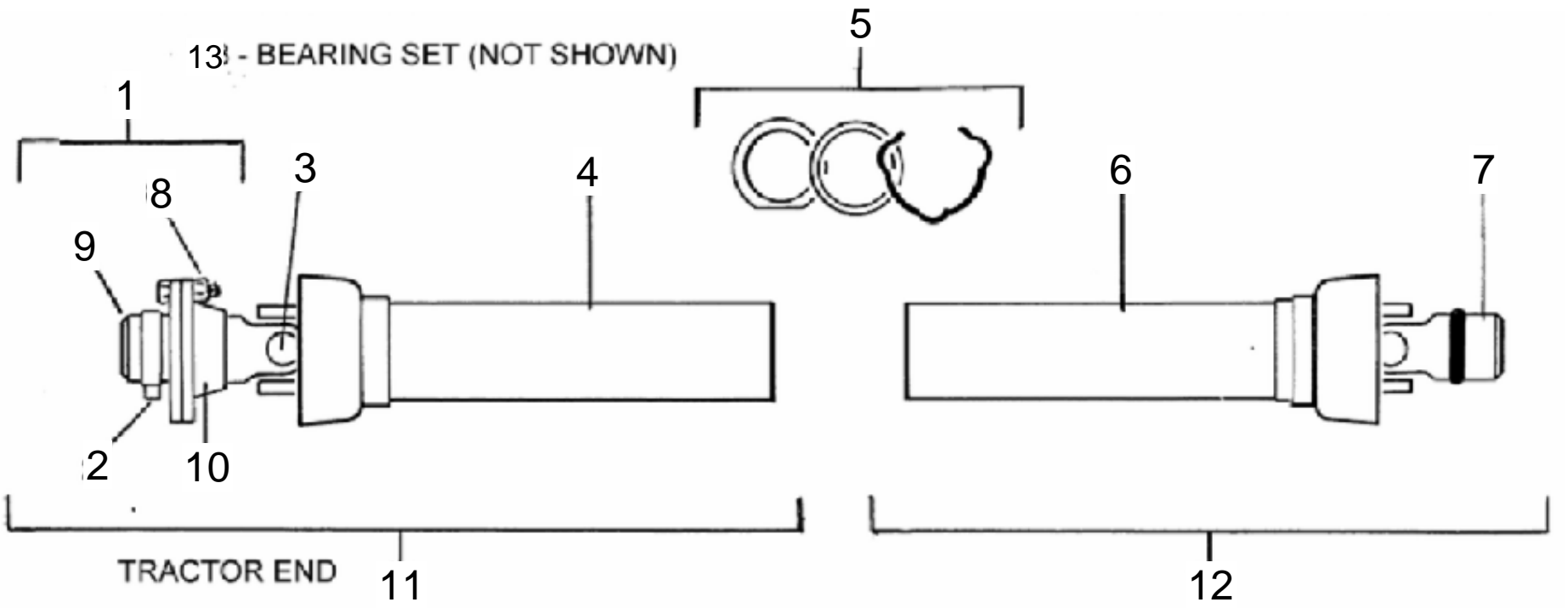
## PTO SHAFT ("WEASLER")\*14R

ITEM	PART NO.	DESCRIPTION
1	10-18599	1/2 PTO shaft, implement end, 60"
2	10-18601	1/2 PTO shaft, tractor end, 60"
3	10-18459	Universal joint repair kit
4	10-18593	Roll pin, 1/4" x 1"
5	10-18603	Inner plastic shield, 60", c/w retainer ring and nylon bearing
6	10-18605	Outer plastic shield, 60", c/w retainer ring & nylon bearing
7	10-18477	Snap hitch yoke
8	10-18480	Implement yoke, 1-1/4" bore
9A	10-19806	60" PTO - Shaft, complete



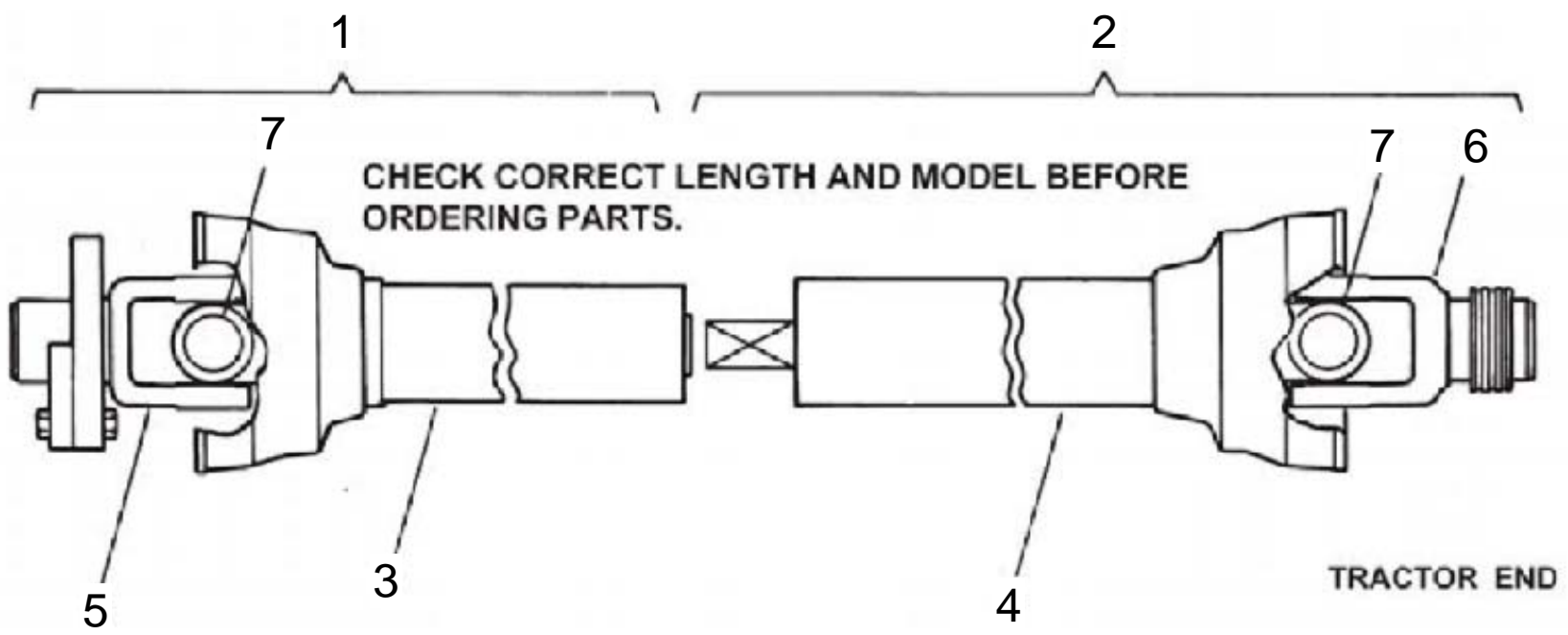
## TR PTO SHAFT ("G & G")-12R

ITEM	PART NO.	DESCRIPTION
1	10-18100	Shear clutch assembly
3	10-18473	Repair kit, universal joint
4	10-18102	Outer plastic shield
5	10-18474	Nylon bearing, thrust washer, snap ring
6	10-18103	Inner plastic shield
7	10-18104	Implement yoke, 1-1/4" bore
8	10-18106	Shearbolt, grade 2
9	10-18108	Shear clutch bushing
10	10-18109	Shear clutch yoke
11	10-18112	1/2 PTO shaft, tractor end
12	10-18114	1/2 PTO shaft, implement end
13	10-18111	Bearing set, shear clutch



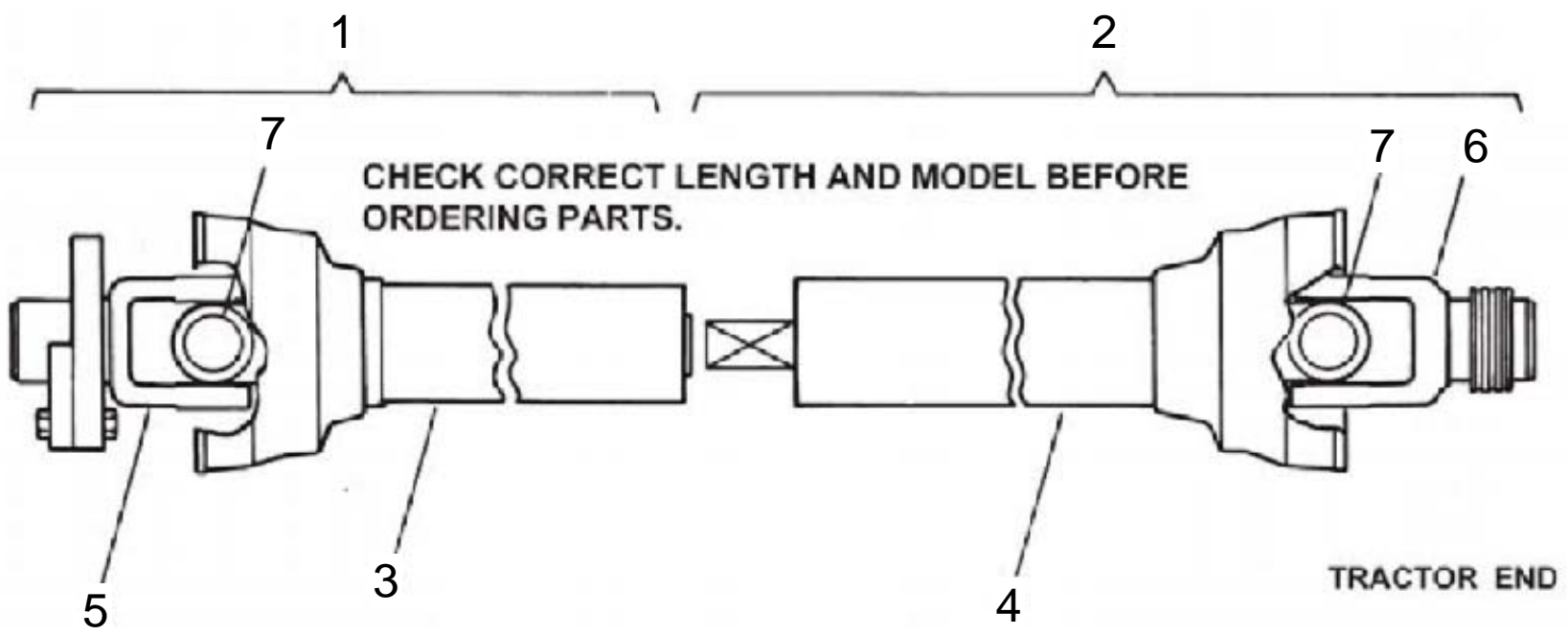
## TR PTO SHAFT ("G & G")-14R

ITEM	PART NO.	DESCRIPTION
1	10-18101	Shear clutch assembly
3	10-18459	Repair kit, universal joint
4	10-18102	Outer plastic shield
5	10-18474	Nylon bearing, thrust washer, snap ring
6	10-18103	Inner plastic shield
7	10-18105	Implement yoke, 1-1/4" bore
8	10-18107	Shearbolt, grade 5
9	10-18108	Shear clutch bushing
10	10-18110	Shear clutch yoke
11	10-18113	1/2 PTO shaft, tractor end
12	10-18115	1/2 PTO shaft, implement end
13	10-18111	Bearing set, shear clutch



## TR PTO SHAFT ("WEASLER")-12R

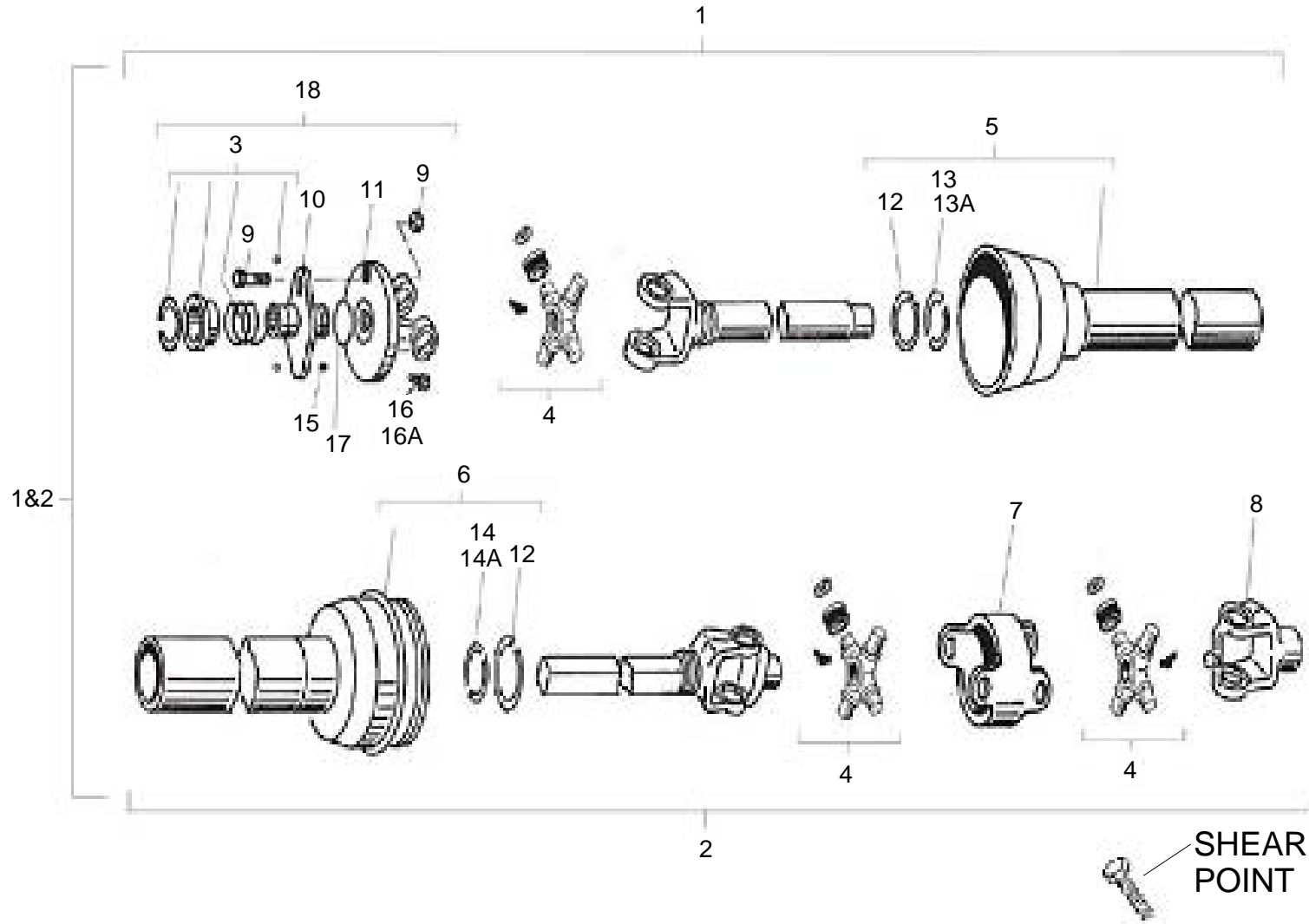
ITEM	PART NO.	DESCRIPTION
1	10-18606	1/2 PTO shaft, implement end
2	10-18607	1/2 PTO shaft, tractor end
3	10-18608	Inner plastic shield, c/w retainer ring & nylon bearing
4	10-18609	Outer plastic shield, c/w retainer ring & nylon bearing
5	10-18610	Implement yoke with shearbolt, 1-1/4" bore
6	10-18471	Snap hitch yoke
7	10-18473	Universal joint, repair kit



## TR PTO SHAFT ("WEASLER")-14R

ITEM	PART NO.	DESCRIPTION
1	10-18612	1/2 PTO shaft, implement end
2	10-18613	1/2 PTO shaft, tractor end
3	10-18608	Inner plastic shield, c/w retainer ring & nylon bearing
4	10-18609	Outer plastic shield, c/w retainer ring & nylon bearing
5	10-18611	Implement yoke with shearbolt, 1-1/4" bore
6	10-18477	Snap hitch yoke
7	10-18459	Universal joint, repair kit

MK80 / MK100

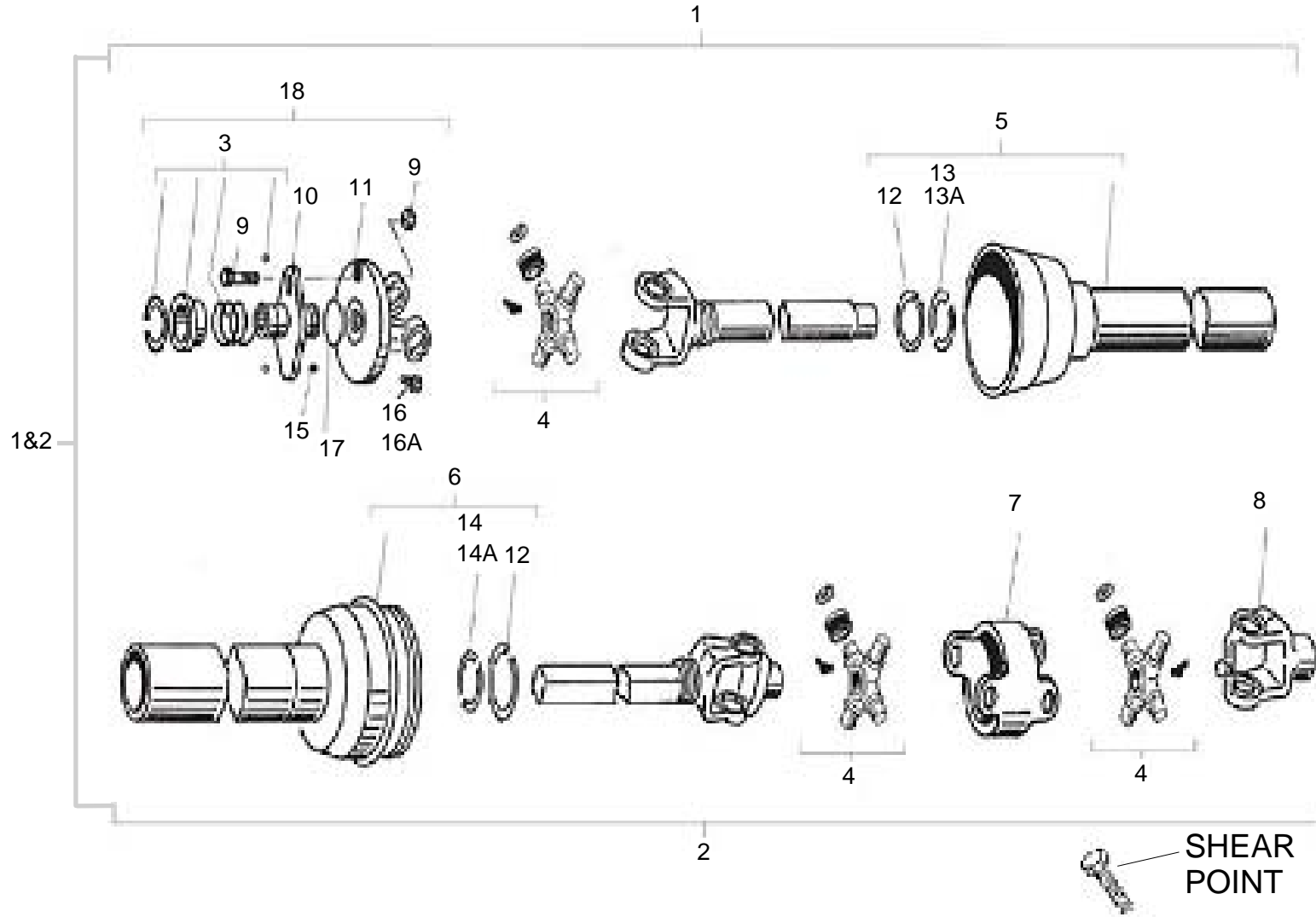


Part#17125: MK80 uses a 5/16" x 1" GR8 bolt including nut, through thread shear (as per drawing below).

## CONSTANT VELOCITY PTO SHAFT ("WEASLER") 8" & 10"

ITEM	PART NO.	DESCRIPTION
1	10-18456	1/2 PTO shaft, tractor end
1&2	10-18484	Complete PTO shaft
2	10-18457	1/2 PTO shaft, implement end
3	10-18458	Spring lock repair kit
4	10-18459	Universal joint repair kit
5	10-18460	Plastic shield c/w reference no. 12 & 13, tractor end
6	10-18461	Plastic shield c/w reference no. 12 & 14, implement end
7	10-18462	CV centre housing
8	10-18463	End yoke
12	10-18467	Retainer ring
13	10-18468	Nylon bearing
14	10-18468	Nylon bearing
15	10-18470	Ball bearing kit
16	10-19995	Bolt, 3/8" - 16 x 1/2", grade 5
17	10-18485	Blank disc
18	10-18363	Shear assembly

**MK100**

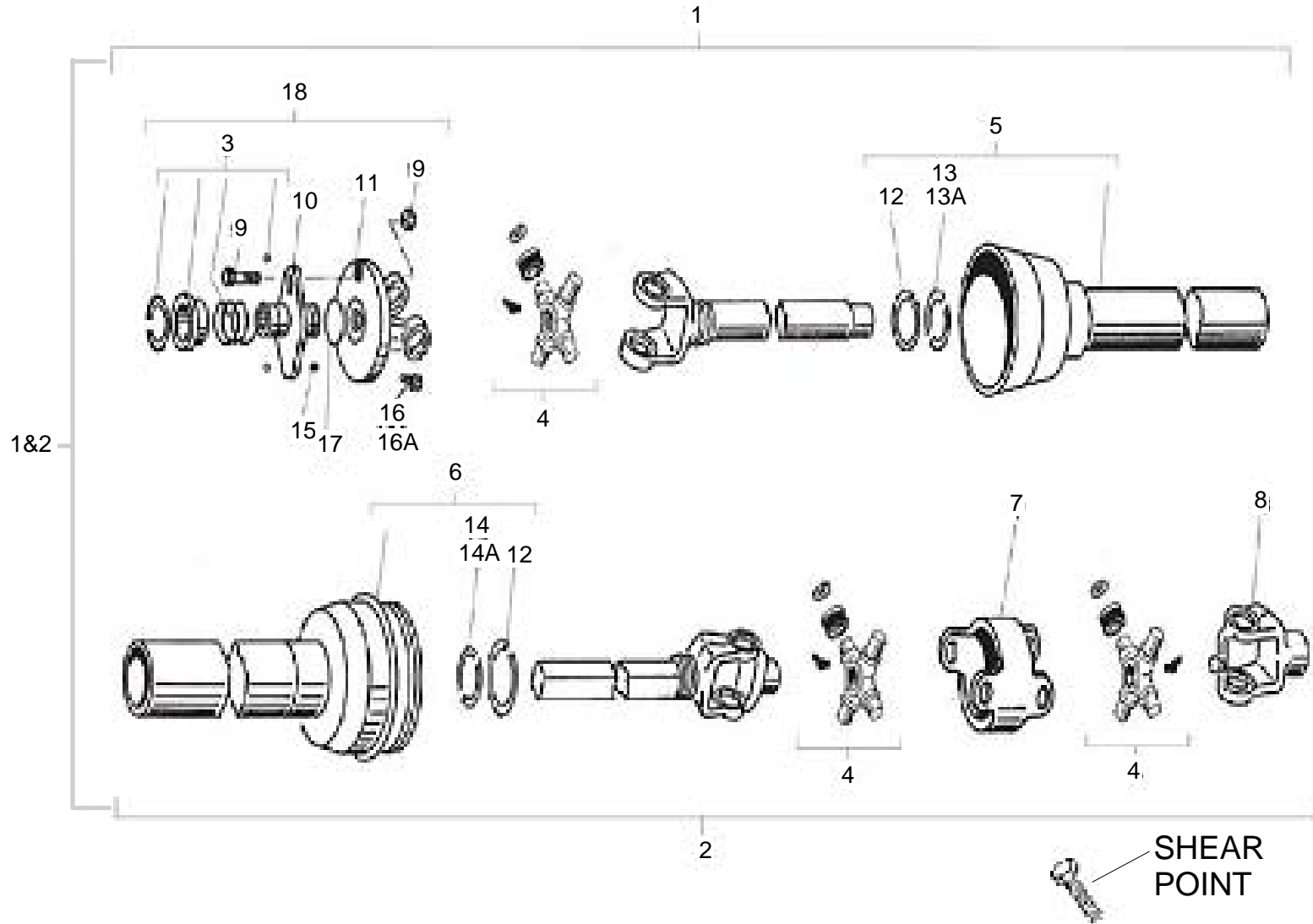


Part#17126: MK100 uses a 5/16" x 1" GR8 bolt including nut, through thread shear (as per drawing below).

## CONSTANT VELOCITY PTO SHAFT ("WEASLER") 10" 81 & 91

ITEM	PART NO.	DESCRIPTION
1&2	10-27481	Complete PTO shaft
1	10-27592	1/2 PTO shaft, tractor end
2	10-27593	1/2 PTO shaft, implement end
3	10-18270	Spring lock repair kit
4	10-18271	Universal joint repair kit
5	10-27596	Plastic shield c/w reference no. 12 & 13, tractor end
6	10-27595	Plastic shield c/w reference no. 12 & 14, implement end
7	10-18274	CV centre housing
8	10-27594	End yoke
12	10-18467	Retainer ring
13	10-18468	Nylon bearing
14	10-18441	Nylon bearing
15	10-18470	Ball bearing kit
16	10-19995	Bolt, 3/8" - 16 x 1/2", grade 5
17	10-18485	Blank disc
18	10-27597	Shear assembly

**MK130-TR80 / TR100**

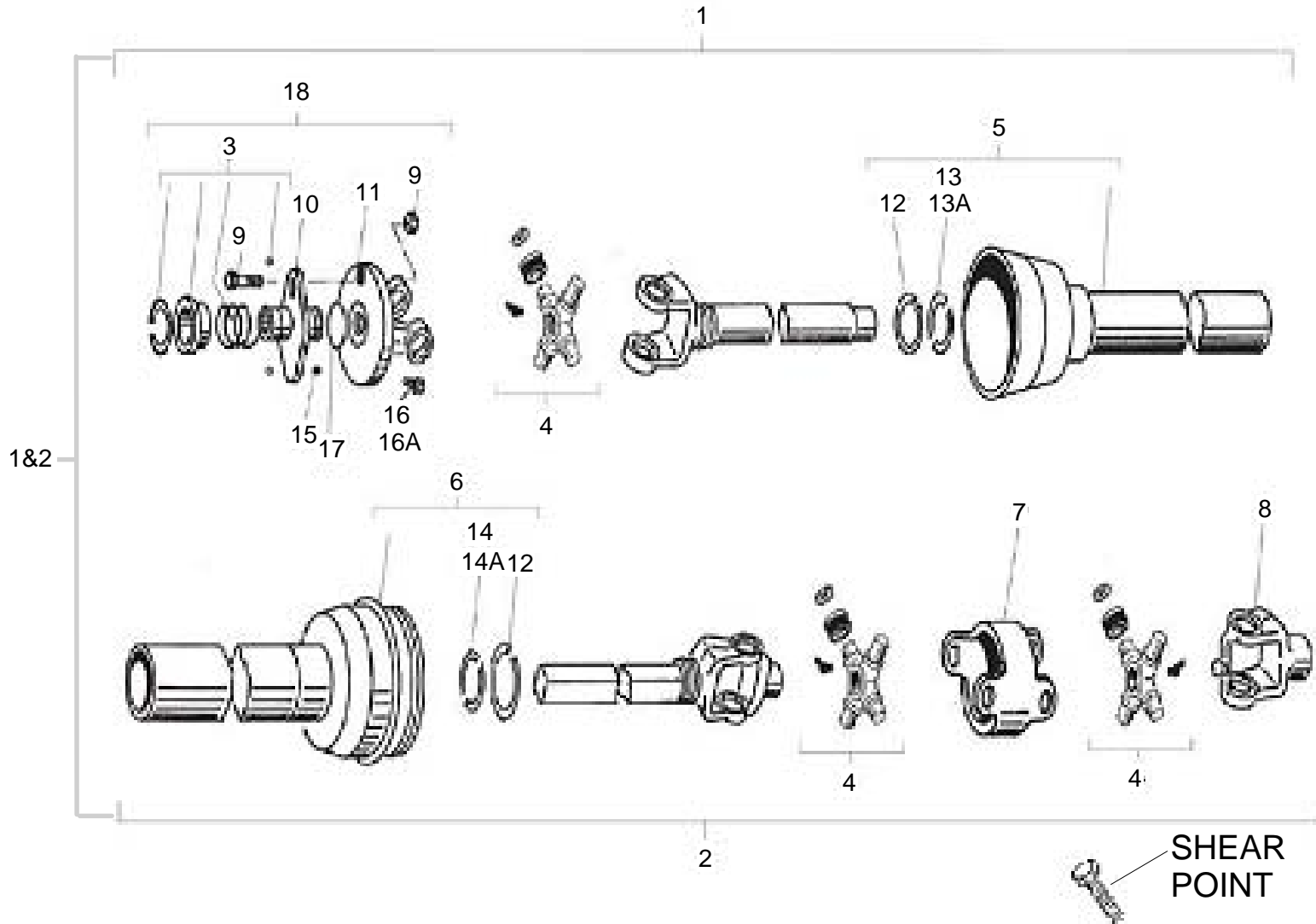


Part#18454: MK130 uses a 5/16" x 1" GR8 bolt including nut, through thread shear (as per drawing below).

## CONSTANT VELOCITY PTO SHAFT ("WEASLER") 13" 61 & 71

ITEM	PART NO.	DESCRIPTION
1	10-18268	1/2 PTO shaft, tractor end
1&2	10-18455	Complete PTO shaft
2	10-18269	1/2 PTO shaft, implement end
3	10-18270	Spring lock repair kit
4	10-18271	Universal joint repair kit
5	10-18272	Plastic shield c/w reference no. 12 & 13, tractor end
6	10-18273	Plastic shield c/w reference no. 12 & 14, implement end
7	10-18274	CV centre housing
8	10-18358	End yoke
12	10-18467	Retainer ring
13	10-18468	Nylon bearing
14	10-18441	Nylon bearing
15	10-18470	Ball bearing kit
16	10-19995	Bolt, 3/8" - 16 x 1/2", grade 5
17	10-18485	Blank disc
18	10-18440	Shear assembly

**MK130-TR80 / TR100**



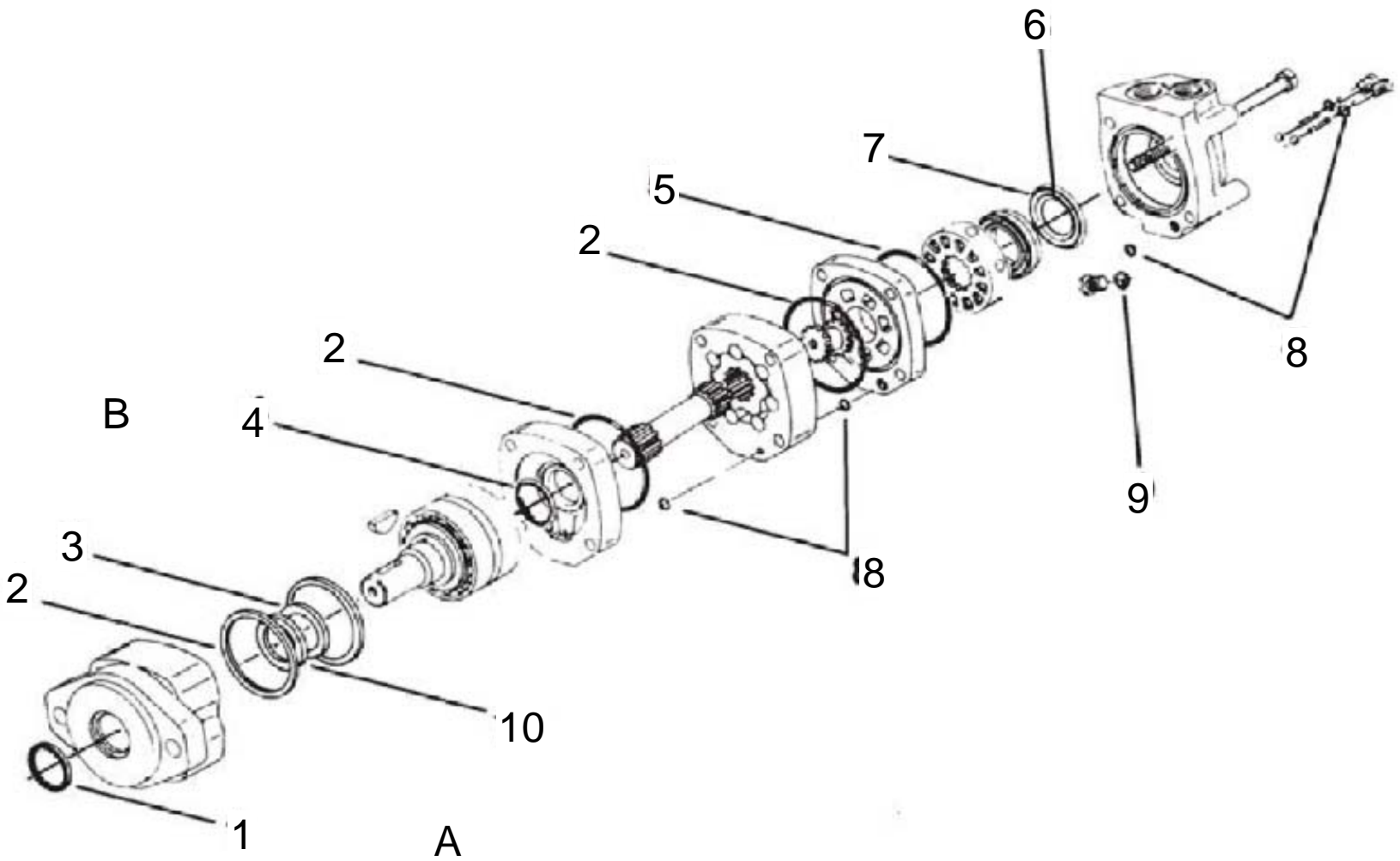
58

Part#18454: MK130 uses a 5/16" x 1" GR8 bolt including nut, through thread shear (as per drawing below).

## CONSTANT VELOCITY PTO SHAFT ("WEASLER") 13" 81 91 & 111

ITEM	PART NO.	DESCRIPTION
1&2	10-17542	Complete PTO shaft
1	10-17544	1/2 PTO shaft, tractor end
2	10-17545	1/2 PTO shaft, implement end
3	10-17546	Spring lock repair kit
4	10-17547	Universal joint repair kit
5	10-17548	Plastic shield c/w reference no. 12 & 13, tractor end
6	10-17549	Plastic shield c/w reference no. 12 & 14, implement end
7	10-17550	CV centre housing
8	10-17551	End yoke
13A	10-17552	Nylon bearing c/w reference no. 12
14A	10-17553	Nylon bearing c/w reference no. 12
15	10-18470	Ball bearing kit
16A	10-19955	Bolt, 3/8" - 16 x 1"
17	10-18485	Blank disc
18	10-17554	Shear assembly

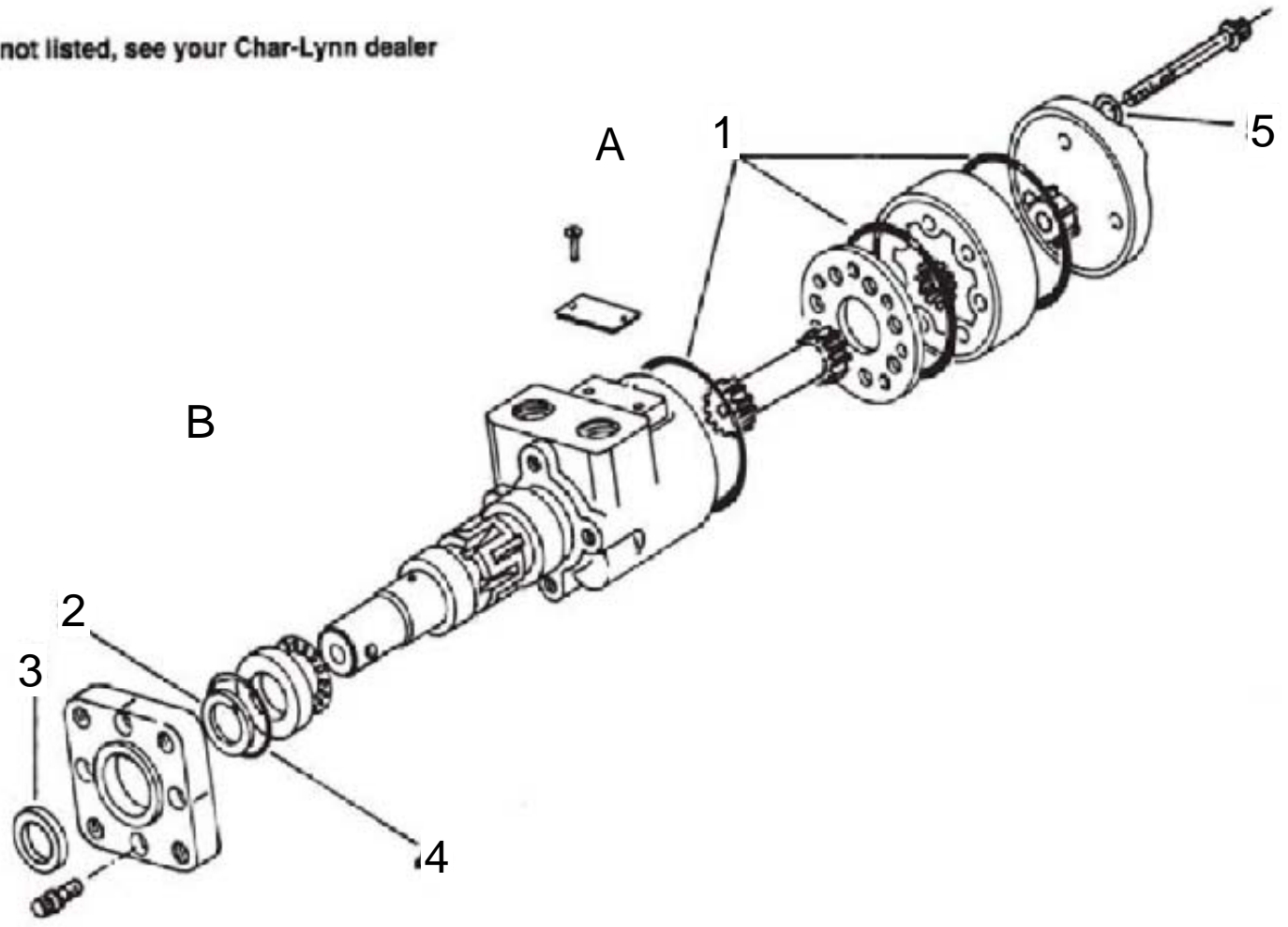
HYDRAULIC MOTOR, CHAR-LYNN MODEL 104-1001 & 104-1002



**HYDRAULIC MOTOR, CHAR-LYNN MODEL 104-1001 & 104-1002**

<b>ITEM</b>	<b>PART NO.</b>	<b>DESCRIPTION</b>
A	10-18614	Seal kit, consisting of #1 to 10
B	10-18615	Seal kit, consisting of #3 to 10

For parts not listed, see your Char-Lynn dealer

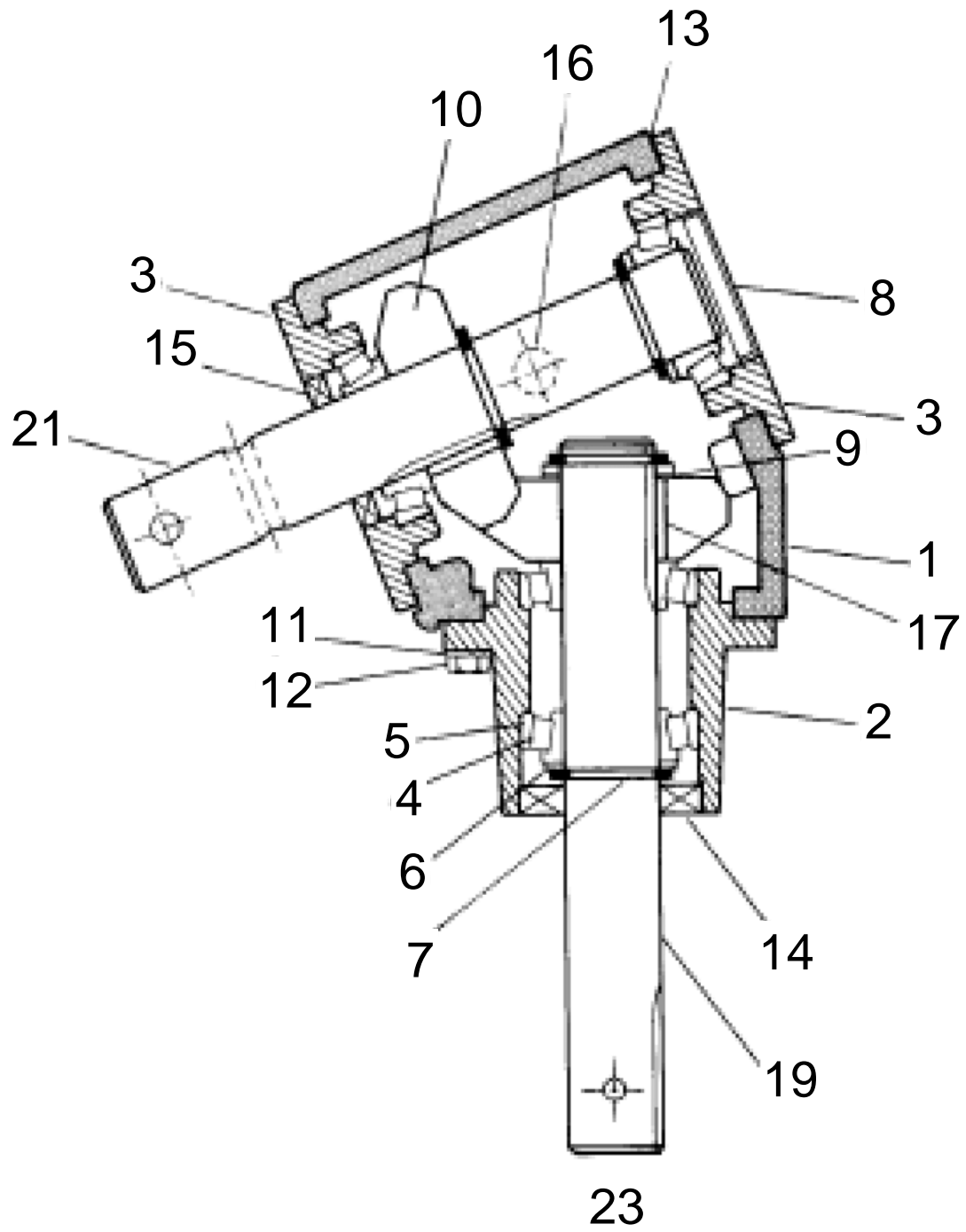


- 18616 Seal kit, consisting of #1 to 5 for motors 130-1063-001 plus 130-1074-001
- 17072 Seal kit, consisting of #1 to 5 for motors 130 - 1063 - 003 plus 130 - 1074 - 003

## HYDRAULIC MOTOR, CHAR-LYNN MODEL 130-1063 & 130-1074

ITEM	PART NO.	DESCRIPTION
B	10-17072	Seal kit, consisting of #1 to 5 for motors 130-1063-003 + 130-1074-003
A	10-18616	Seal kit, consisting of #1 to 5 for motors 103-1063-001 + 130-1074-001

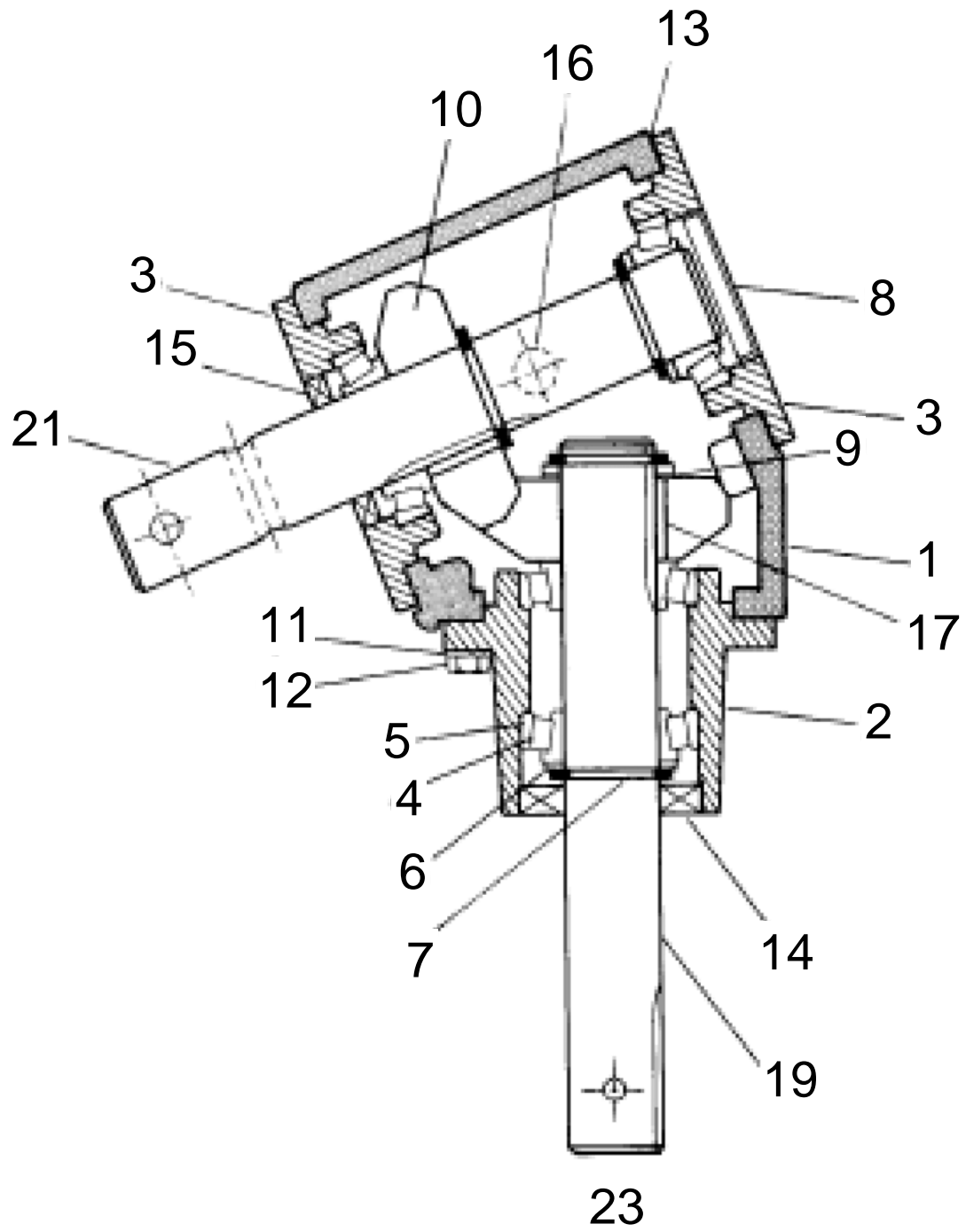
# MK GEARBOX-UPPER-MK80



## MK GEARBOX-UPPER-MK80

ITEM	PART NO.	DESCRIPTION
1	10-18959	Housing
2	10-18960	Quill
3	10-18961	End cap
4	10-19265	Bearing cone Timken # LM 67048
5	10-19266	Bearing cup Timken # LM 67010
6	10-18426	Spacer
7	10-18962	Snap ring
8	10-18963	Expansion plug
9	10-18411	.007Shim(1.25" I.D.)
10	10-18964	Gear
11	10-19603	Lockwasher, 5/16"
12	10-19538	Cap screw, 5/16" - 18 x 3/4"
13	10-18390	.005 Shim
14	10-18427	Seal, National # 471808, CR# 12614
15	10-18403	Seal, National # 470163, CR# 12458
16	10-18393	1/4 NPT Pipe plug
17	10-18380	Square Key
18	10-18965	Grease washer, lower gearbox only
19	10-18966	Pinion shaft, upper gearbox only
21	10-18972	Cross shaft, upper gearbox only
23	10-18848	Upper gearbox, complete

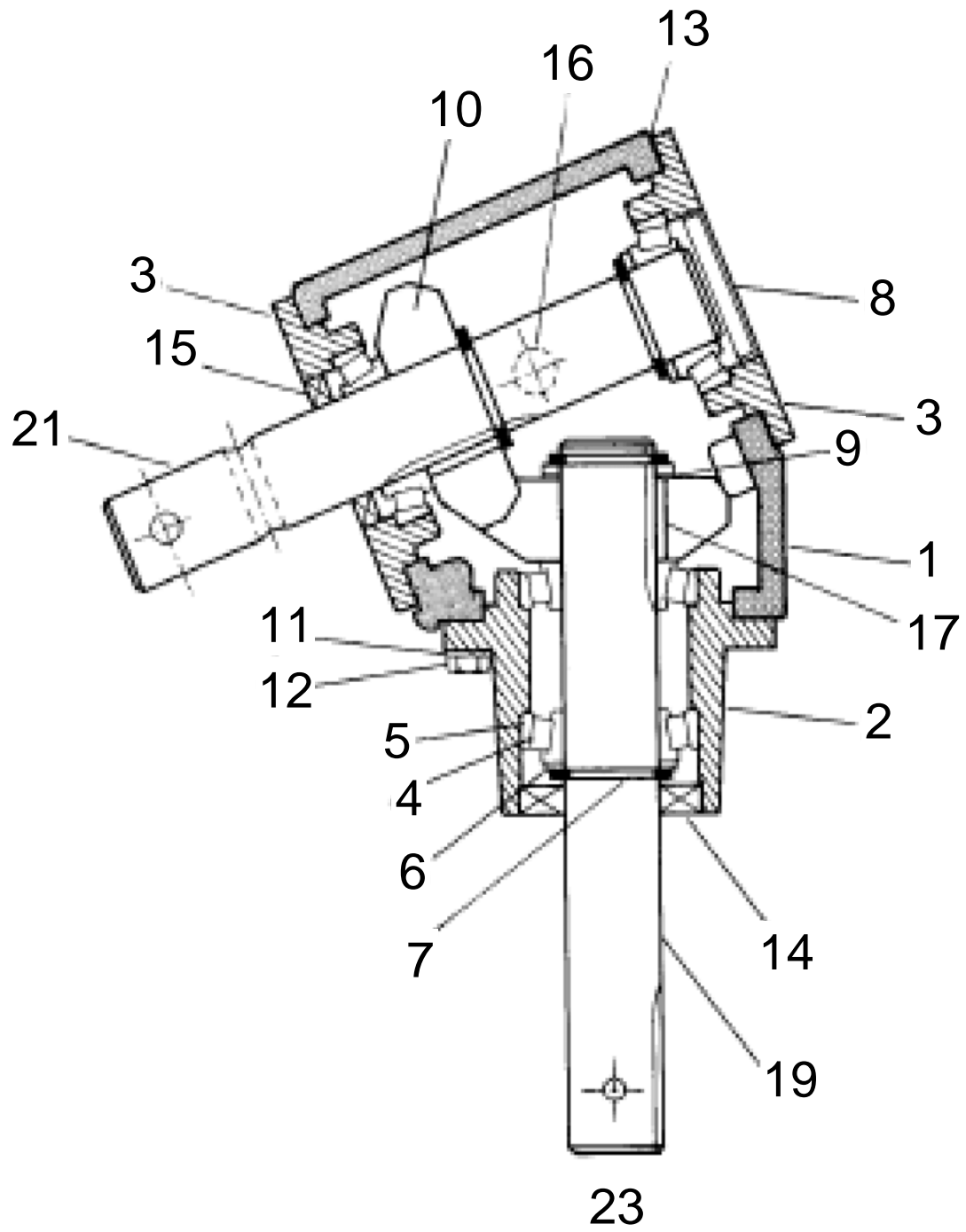
# MK GEARBOX-UPPER-MK100



## MK GEARBOX-UPPER-MK100

ITEM	PART NO.	DESCRIPTION
1	10-18959	Housing
2	10-18960	Quill
3	10-18961	End cap
4	10-19265	Bearing cone Timken # LM 67048
5	10-19266	Bearing cup Timken # LM 67010
6	10-18426	Spacer
7	10-18962	Snap ring
8	10-18963	Expansion plug
9	10-18411	.007Shim(1.25" I.D.)
10	10-18964	Gear
11	10-19603	Lockwasher, 5/16"
12	10-19538	Cap screw, 5/16" - 18 x 3/4"
13	10-18390	.005 Shim
14	10-18427	Seal, National # 471808, CR# 12614
15	10-18403	Seal, National # 470163, CR# 12458
16	10-18393	1/4 NPT Pipe plug
17	10-18380	Square Key
18	10-18965	Grease washer, lower gearbox only
19	10-18967	Pinion shaft, upper gearbox only
21	10-18972	Cross shaft, upper gearbox only
23	10-18849	Upper gearbox, complete

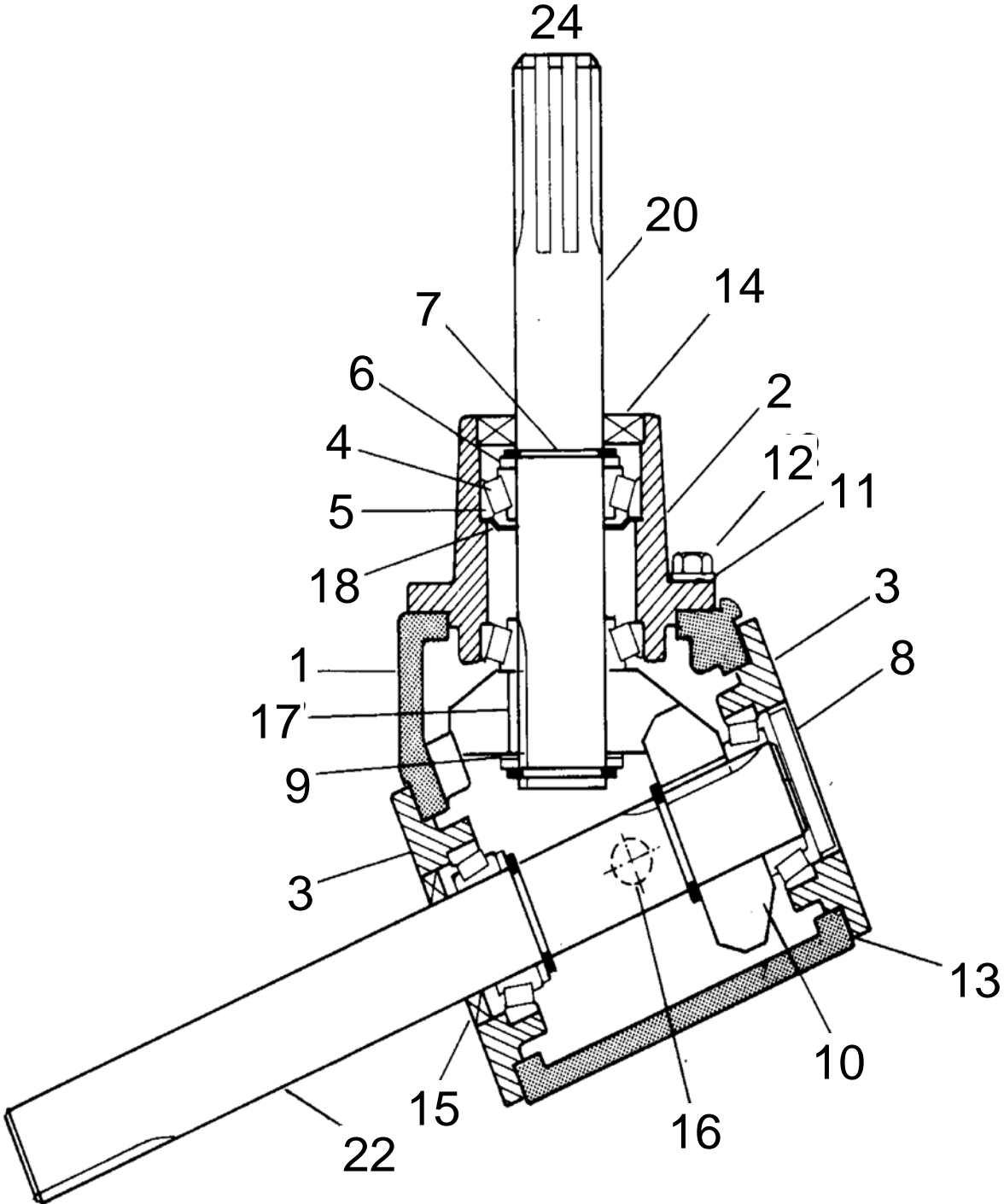
# MK GEARBOX-UPPER-MK130



## MK GEARBOX-UPPER-MK130

ITEM	PART NO.	DESCRIPTION
1	10-18959	Housing
2	10-18960	Quill
3	10-18961	End cap
4	10-19265	Bearing cone Timken # LM 67048
5	10-19266	Bearing cup Timken # LM 67010
6	10-18426	Spacer
7	10-18962	Snap ring
8	10-18963	Expansion plug
9	10-18411	.007Shim(1.25" I.D.)
10	10-18964	Gear
11	10-19603	Lockwasher, 5/16"
12	10-19538	Cap screw, 5/16" - 18 x 3/4"
13	10-18390	.005 Shim
14	10-18427	Seal, National # 471808, CR# 12614
15	10-18403	Seal, National # 470163, CR# 12458
16	10-18393	1/4 NPT Pipe plug
17	10-18380	Square Key
18	10-18965	Grease washer, lower gearbox only
19	10-18968	Pinion shaft, upper gearbox only
21	10-18973	Cross shaft, upper gearbox only
23	10-18789	Upper gearbox, complete

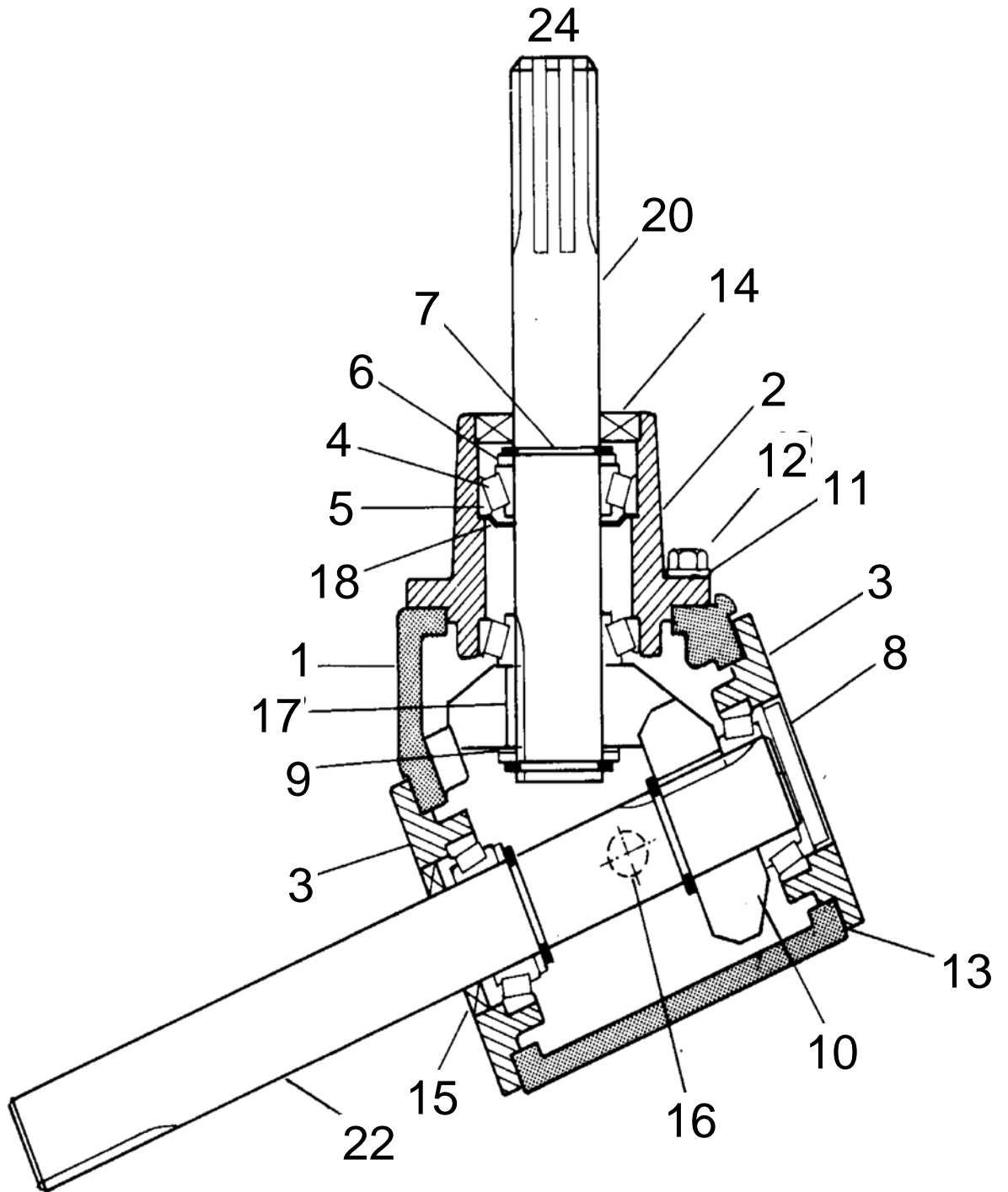
MK GEARBOX-LOWER-MK80



## MK GEARBOX-LOWER-MK80

ITEM	PART NO.	DESCRIPTION
1	10-18959	Housing
2	10-18960	Quill
3	10-18961	End cap
4	10-19265	Bearing cone Timken # LM 67048
5	10-19266	Bearing cup Timken # LM 67010
6	10-18426	Spacer
7	10-18962	Snap ring
8	10-18963	Expansion plug
9	10-18411	.007Shim(1.25" I.D.)
10	10-18964	Gear
11	10-19603	Lockwasher, 5/16"
12	10-19538	Cap screw, 5/16" - 18 x 3/4"
13	10-18390	.005 Shim
14	10-18427	Seal, National # 471808, CR# 12614
15	10-18403	Seal, National # 470163, CR# 12458
16	10-18393	1/4 NPT Pipe plug
17	10-18380	Square Key
18	10-18965	Grease washer, lower gearbox only
20	10-18969	Pinion shaft, lower gearbox only
22	10-18974	Cross shaft, lower gearbox only
24	10-18850	Lower Gear Box, complete

# MK GEARBOX-LOWER-MK100



## MK GEARBOX-LOWER-MK100

ITEM	PART NO.	DESCRIPTION
1	10-18959	Housing
2	10-18960	Quill
3	10-18961	End cap
4	10-19265	Bearing cone Timken # LM 67048
5	10-19266	Bearing cup Timken # LM 67010
6	10-18426	Spacer
7	10-18962	Snap ring
8	10-18963	Expansion plug
9	10-18411	.007Shim(1.25" I.D.)
10	10-18964	Gear
11	10-19603	Lockwasher, 5/16"
12	10-19538	Cap screw, 5/16" - 18 x 3/4"
13	10-18390	.005 Shim
14	10-18427	Seal, National # 471808, CR# 12614
15	10-18403	Seal, National # 470163, CR# 12458
16	10-18393	1/4 NPT Pipe plug
17	10-18380	Square Key
18	10-18965	Grease washer, lower gearbox only
20	10-18970	Pinion shaft, lower gearbox only
22	10-18975	Cross shaft, lower gearbox only
24	10-18851	Lower Gear Box, complete

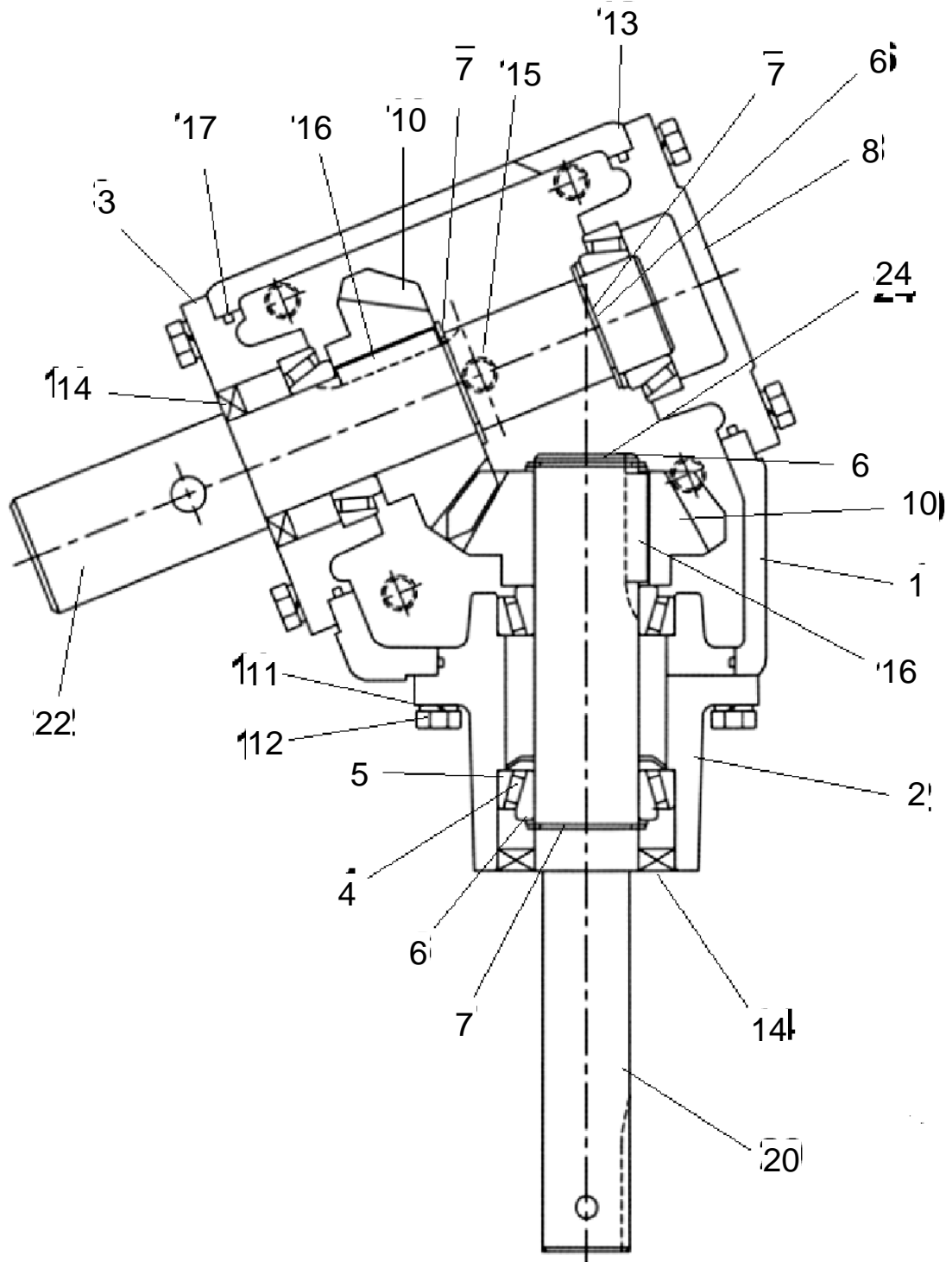


## MK GEARBOX-LOWER-MK130

ITEM	PART NO.	DESCRIPTION
1	10-18959	Housing
2	10-18960	Quill
3	10-18961	End cap
4	10-19265	Bearing cone Timken # LM 67048
5	10-19266	Bearing cup Timken # LM 67010
6	10-18426	Spacer
7	10-18962	Snap ring
8	10-18963	Expansion plug
9	10-18411	.007Shim(1.25" I.D.)
10	10-18964	Gear
11	10-19603	Lockwasher, 5/16"
12	10-19538	Cap screw, 5/16" - 18 x 3/4"
13	10-18390	.005 Shim
14	10-18427	Seal, National # 471808, CR# 12614
15	10-18403	Seal, National # 470163, CR# 12458
16	10-18393	1/4 NPT Pipe plug
17	10-18380	Square Key
18	10-18965	Grease washer, lower gearbox only
20	10-18970	Pinion shaft, lower gearbox only
22	10-18976	Cross shaft, lower gearbox only
24	10-18790	Lower Gear Box, complete

# MK130 PLUS GEARBOX-UPPER-27560

## 25 (COMPLETE UPPER GEARBOX)

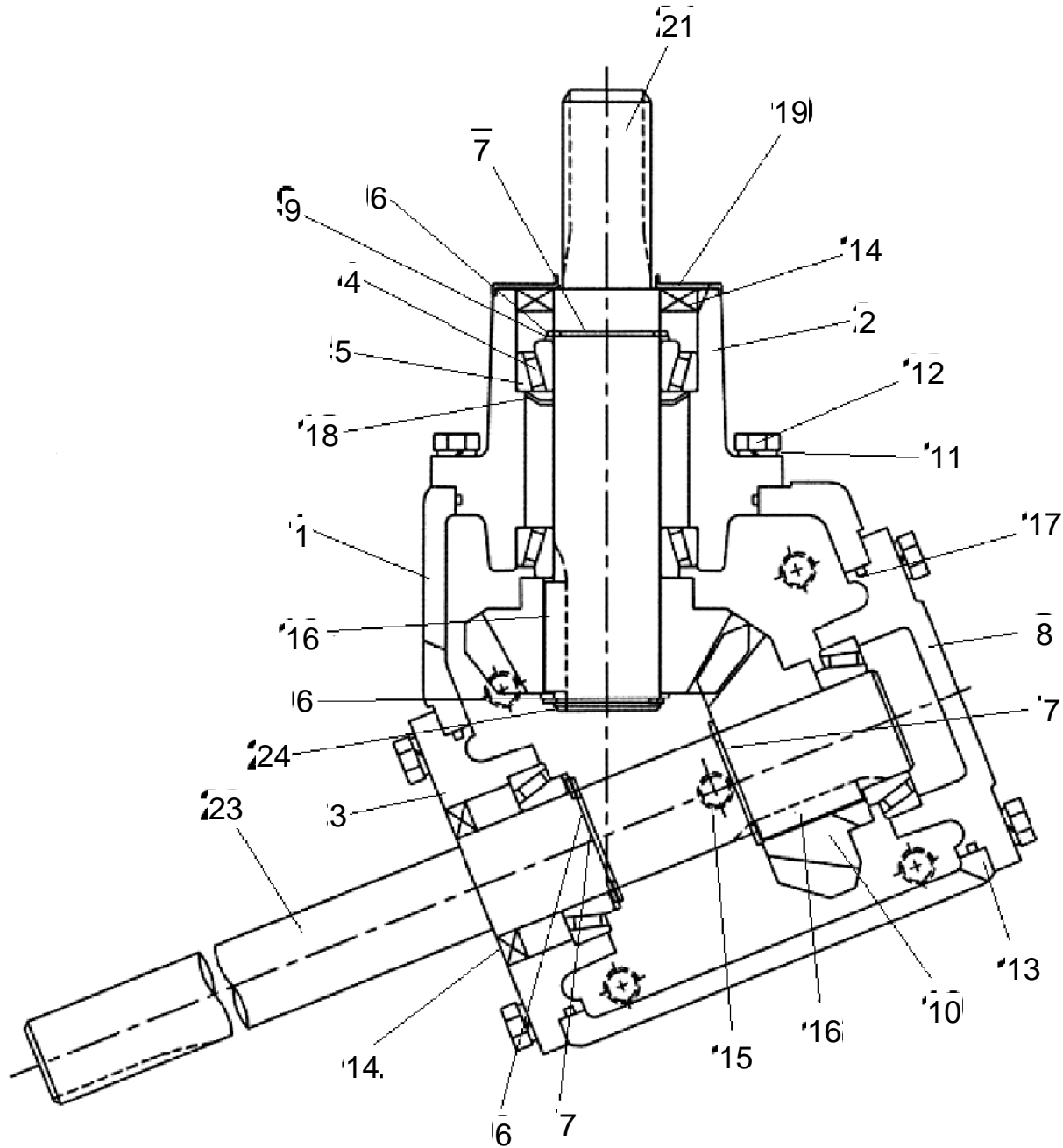


## MK130 PLUS GEARBOX-UPPER-27560

ITEM	PART NO.	DESCRIPTION
1	10-27690	Housing
2	10-27691	Quill
3	10-27692	End cap
4	10-27693	Bearing Cone, LM29748
5	10-17008	Bearing Cup, LM29710
6	10-27694	Spacer
7	10-27789	Retainer
8	10-27695	End Cap
9	10-27696	Shim
10	10-27697	Gear
11	10-19603	Lockwasher, 5/16"
12	10-19538	Capscrew, 5/16" UNC x 3/4"
13	10-27698	Shim
14	10-27699	Seal, 38.1 x 65.1 x 8
15	10-18393	Pipe Plug, 1/4" NPT (1/4" HEX)
16	10-27700	Square key, 5/16" x 1-1/2" LG.
17	10-27701	O-Ring, 105 x 3.1mm
20	10-27703	Pinion Shaft, upper gearbox only
22	10-27705	Cross Shaft, upper gearbox only
24	10-27708	Snap Ring, 1-1/2"
25	10-27560	MK130 PLUS UPPER GEARBOX

# MK130 PLUS GEARBOX-LOWER-27561

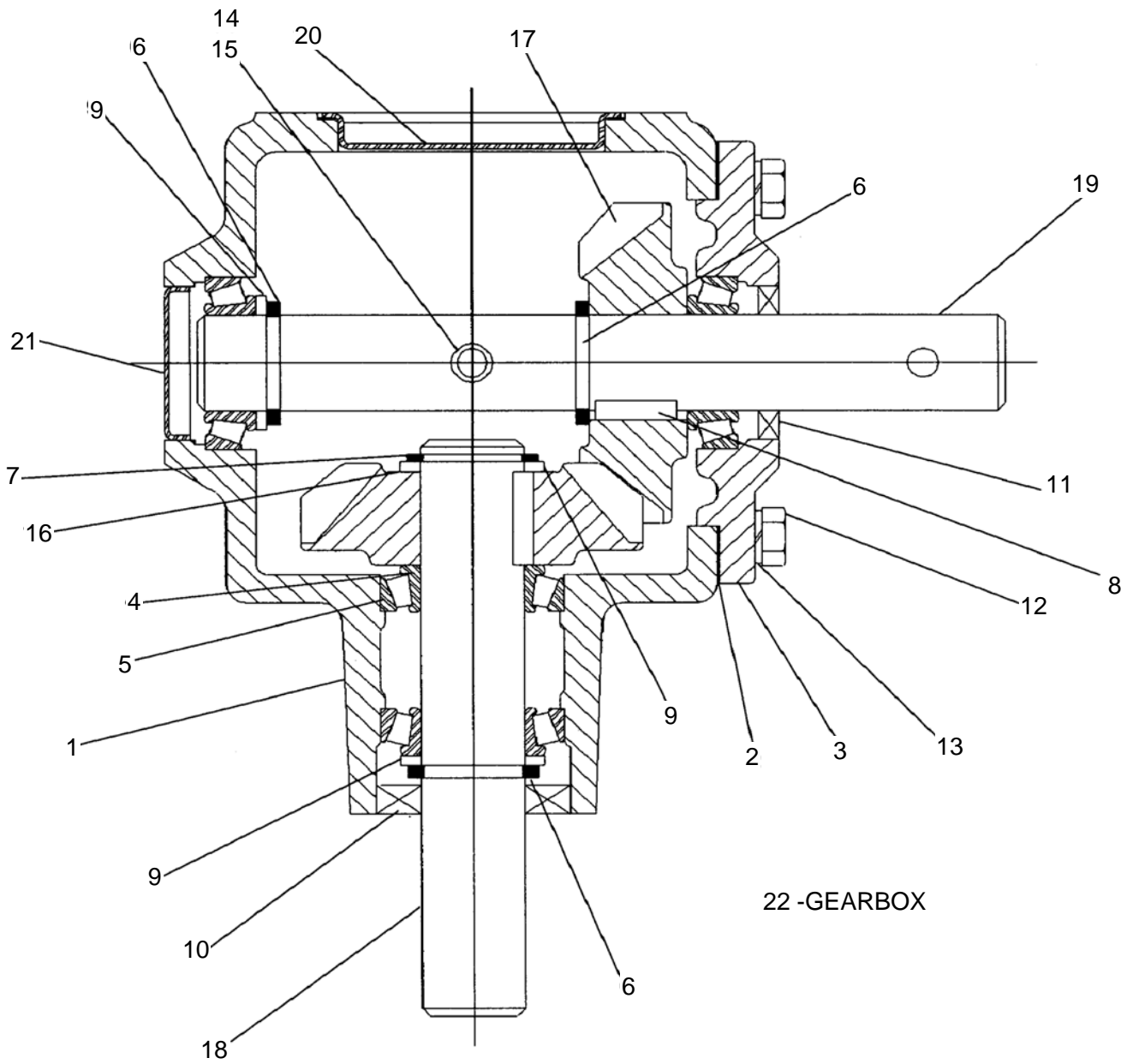
25 (COMPLETE LOWER GEARBOX)



## MK130 PLUS GEARBOX-LOWER-27561

ITEM	PART NO.	DESCRIPTION
1	10-27690	Housing
2	10-27691	Quill
3	10-27692	End cap
4	10-27693	Bearing Cone, LM29748
5	10-17008	Bearing Cup, LM29710
6	10-27694	Spacer
7	10-27789	Retainer
8	10-27695	End Cap
9	10-27696	Shim
10	10-27697	Gear
11	10-19603	Lockwasher, 5/16"
12	10-19538	Capscrew, 5/16" UNC x 3/4"
13	10-27698	Shim
14	10-27699	Seal, 38.1 x 65.1 x 8
15	10-18393	Pipe Plug, 1/4" NPT (1/4" HEX)
16	10-27700	Square key, 5/16" x 1-1/2" LG.
17	10-27701	O-Ring, 105 x 3.1mm
18	10-27707	Grease Washer, lower gearbox only
19	10-27702	Deflector Shield, lower gearbox only
21	10-27704	Pinion Shaft, lower gearbox only
23	10-27706	Cross Shaft, lower gearbox only
24	10-27708	Snap Ring, 1-1/2"
25	10-27561	MK130 PLUS LOWER GEARBOX

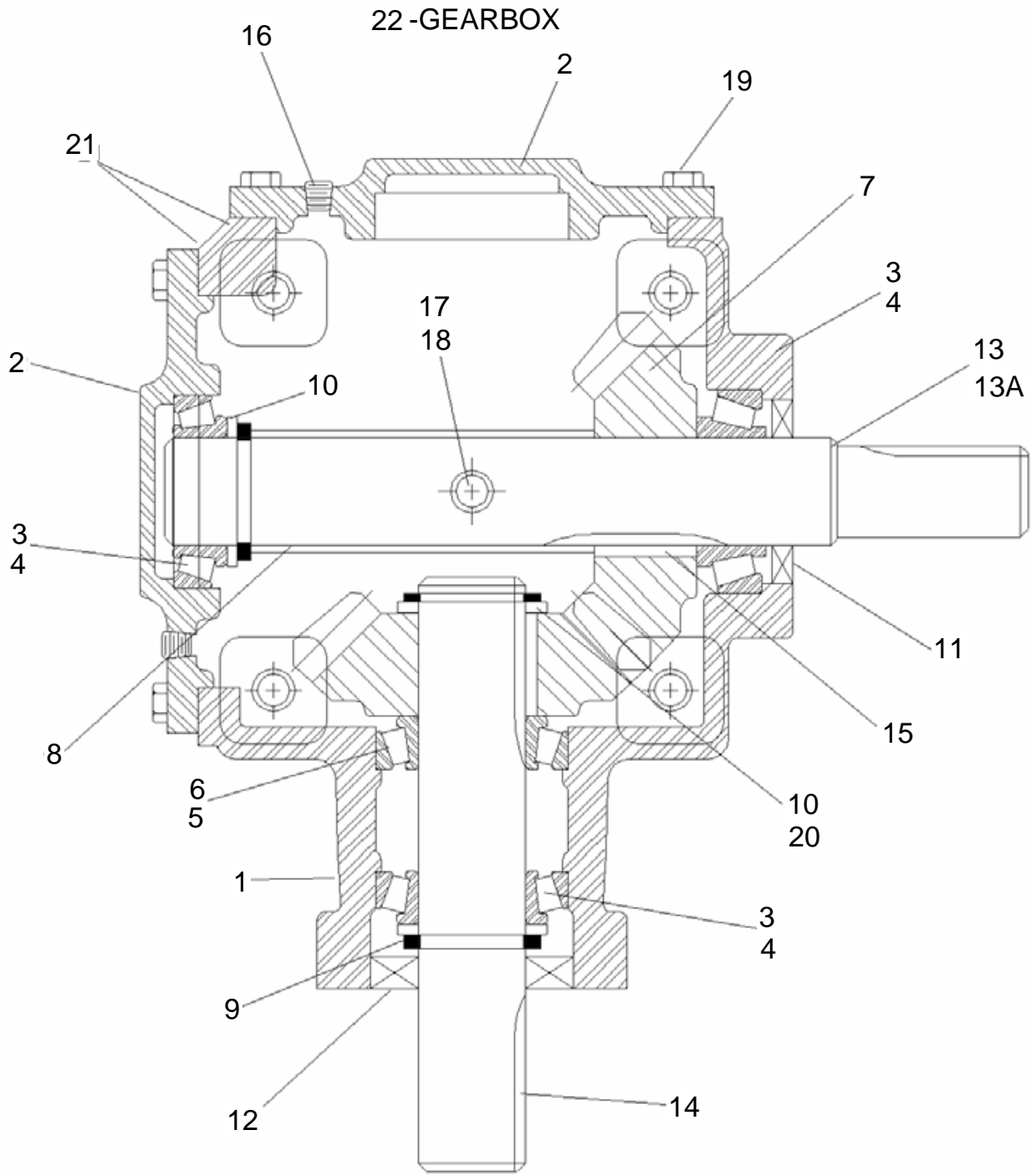
# GEARBOX MODEL 2103 ("PRAIRIE")



## GEARBOX MODEL 2103 ("PRAIRIE")

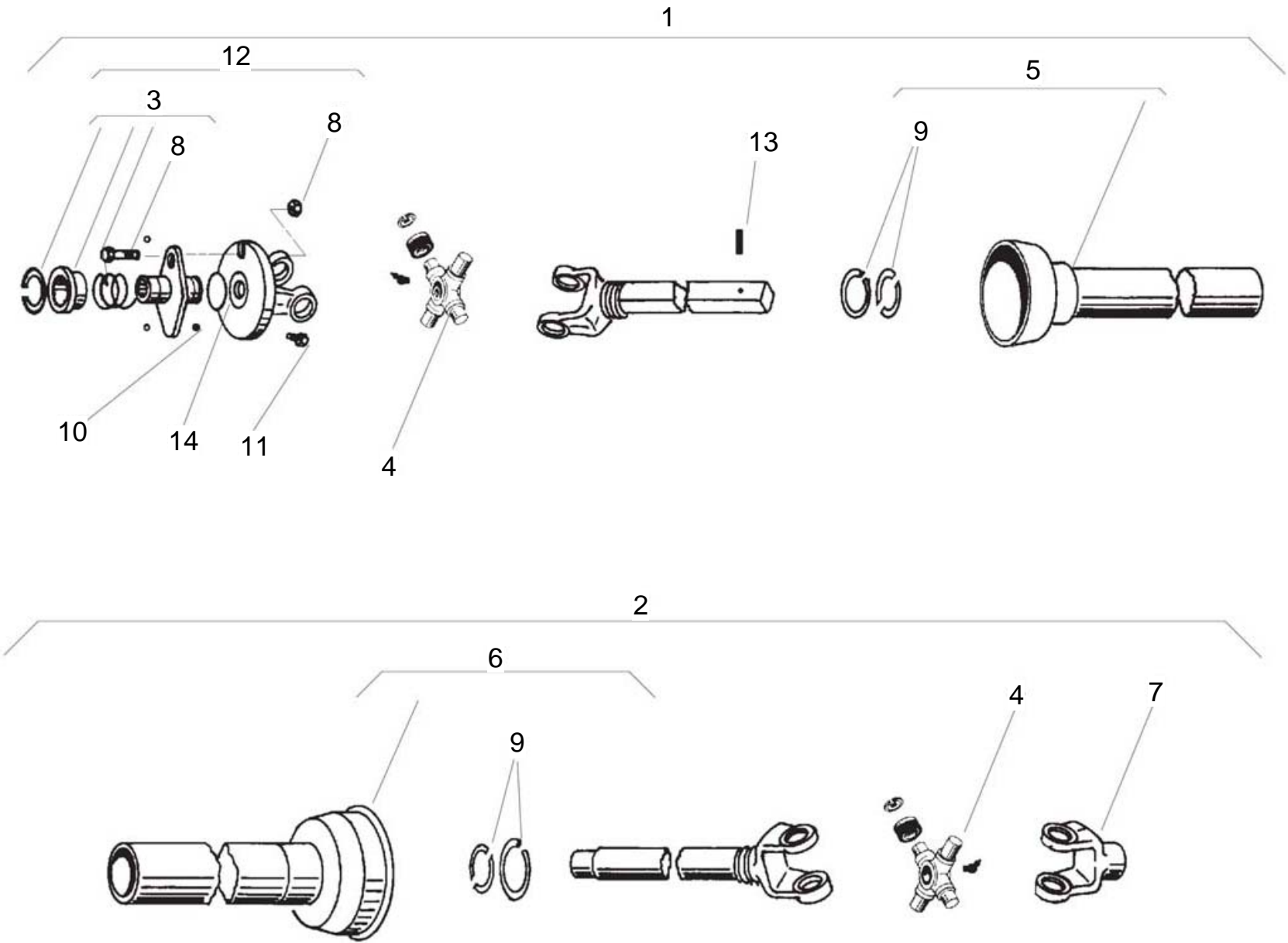
ITEM	PART NO.	DESCRIPTION
1	10-17173	HOUSING
2	10-18553	Gasket / shim (0.005")
3	10-18423	Bearing cap
4	10-19265	Bearing cone, Timken # LM67048
5	10-19266	Bearing cup, Timken # LM67010
6	10-18405	Retainer, wide (0.159")
7	10-18962	Retainer, narrow (0.095")
8	10-18425	Sq. key, 1/4" x 1-1/8"
9	10-18426	Spacer
10	10-18427	Seal, CR# 12614
11	10-18403	Seal, CR # 12458 or national # 470163
12	10-19955	Bolt, 3/8" - 16 x 1" lg.
13	10-19604	Lock washer, 3/8"
14	10-18393	1/4" Pipe plug, solid
15	10-18394	1/4" pipe plug, vented
16	10-18411	Shim
17	10-18428	Gear
18	10-17175	Pinion shaft
19	10-17176	Cross shaft
20	10-17177	Cover, stamping
21	10-18963	Exp. plug
22	10-19585	Gear box complete

# GEARBOX MODEL 2306 ("PRAIRIE")



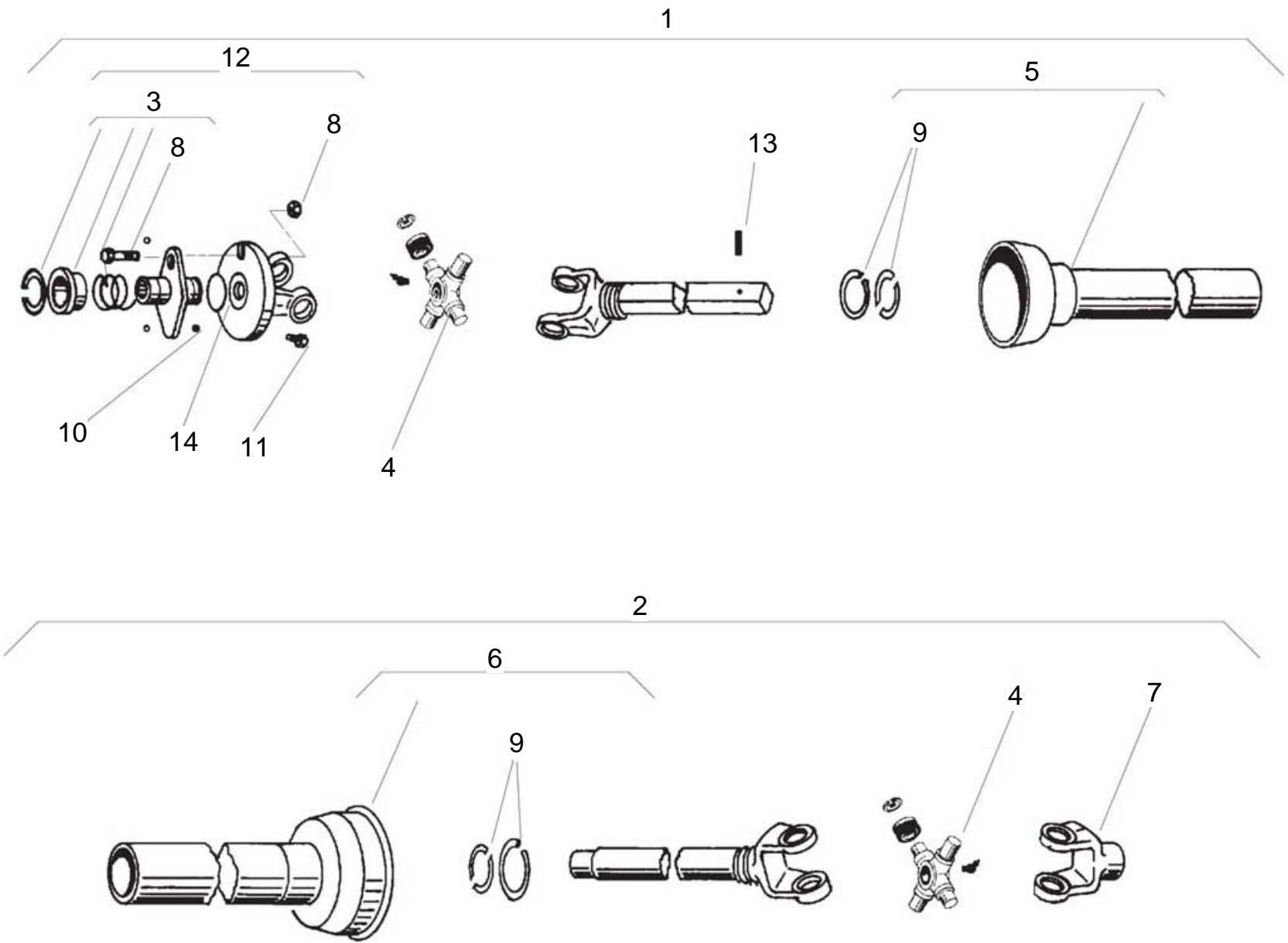
## GEARBOX MODEL 2306 ("PRAIRIE")

ITEM	PART NO.	DESCRIPTION
1	10-17321	Housing
2	10-17322	Cover
3	10-17323	Bearing cone, Timken #25580
4	10-17324	Bearing cup, Timken #25520
5	10-17325	Bearing cone, Timken #3782
6	10-17326	Bearing cup, Timken #3730
7	10-17327	Gear
8	10-17328	Spacer
9	10-17329	Snap ring
10	10-17330	Washer
11	10-17331	Oil seal, CR #17678
12	10-17332	Oil seal
13	10-17333	Cross shaft (machined to 1-1/2")
13A	10-17639	Cross shaft (full length 1-3/4")
14	10-17334	Pinion shaft
15	10-17335	Key
16	10-18393	1/4" Pipe plug, solid
17	10-18414	1/2" Pipe plug, solid
18	10-18413	1/2" Pipe plug, vent
19	10-19955	Bolt, 3/8" -16 x 1", grade 2
20	10-17336	Shim, .007, shaft
21	10-17337	Shim, .007, cover
22	10-17250	Gearbox, complete



## RIGHT ANGLE DRIVE PTO (WEASLER)-14R

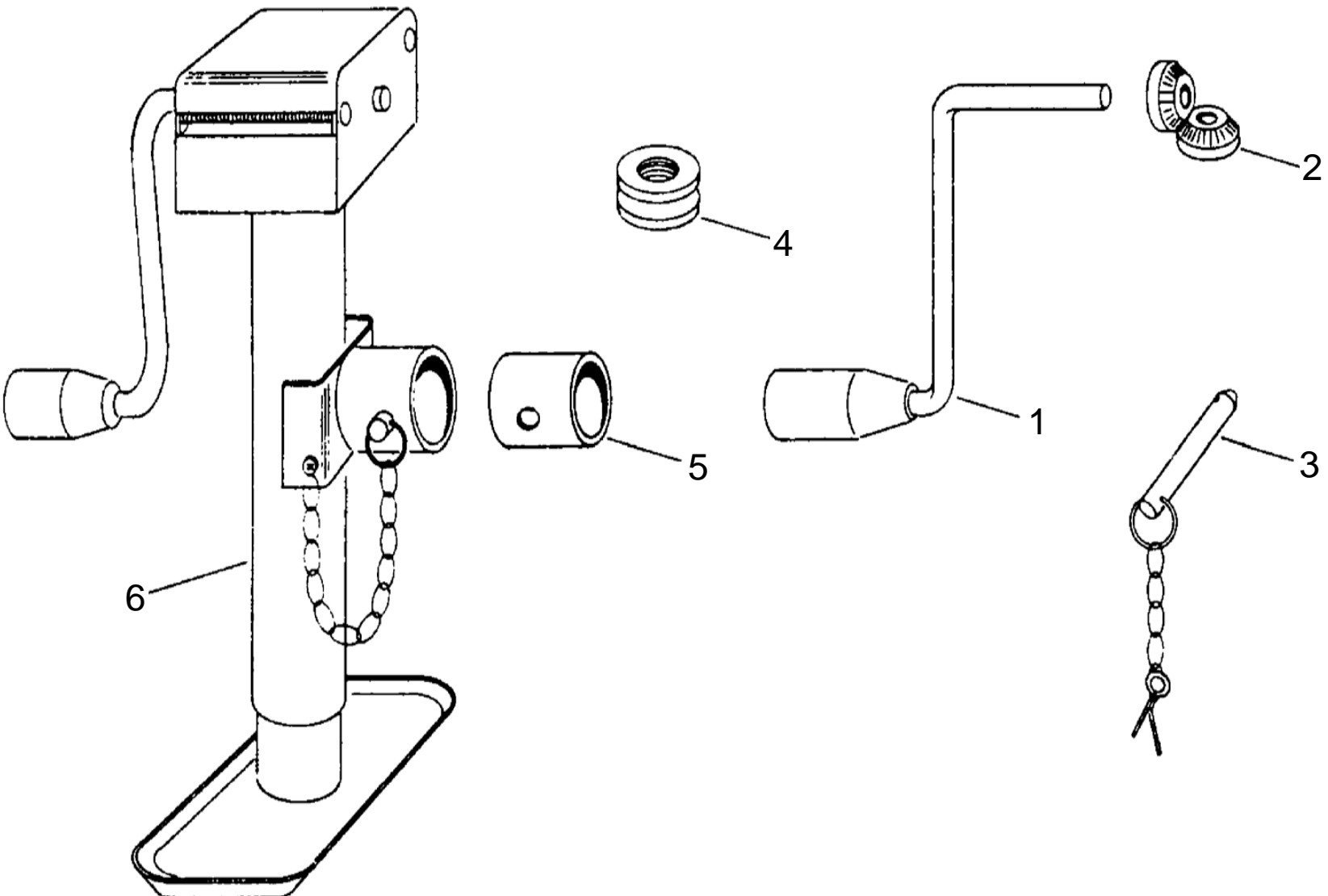
ITEM	PART NO.	DESCRIPTION
	10-17610	FOR A199, A200 (WHITE)
1&2	10-17610	COMPLETE PTO DRIVELINE
1	10-28515	1/2 PTO DRIVELINE, TRACTOR END
2	10-28516	1/2 PTO DRIVELINE, IMPLEMENTED
3	10-18458	Spring lock repair kit
4	10-18459	Universal joint repair kit
5	10-18605	OUTER GUARD C/W REF. #9
6	10-18603	INNER GUARD C/W REF. #9
7	10-18480	END YOKE
8	10-17126	BOTL & LOCKNUT, 3/8" - 16 X 1", GR8
9	10-17320	MYLON RETAINER KIT
10	10-18470	BALL BEARING KIT
12	10-18363	SHEAR ASSEMBLY
13	10-18593	ROLL PIN, 1/4" X 1"



## RIGHT ANGLE DRIVE PTO (WEASLER)-35R

ITEM	PART NO.	DESCRIPTION
	10-17260	FOR A201 (BLACK)
1&2	10-17260	COMPLETE PTO DRIVELINE
1	10-17315	1/2 PTO DRIVELINE, TRACTOR END
2	10-17316	1/2 PTO DRIVELINE, IMPLEMENTED
3	10-18270	Spring lock repair kit
4	10-18271	Universal joint repair kit
5	10-17317	OUTER GUARD C/W REF. #9
6	10-17318	INNER GUARD C/W REF. #9
7	10-17319	END YOKE
8	10-18454	BOTL & LOCKNUT, 3/8" - 16 X 1", GR8
9	10-17320	MYLON RETAINER KIT
10	10-18470	BALL BEARING KIT
11	10-19995	BOLT 3/8" - 16 X 1/2", GR 5
12	10-18440	SHEAR ASSEMBLY
13	10-18593	ROLL PIN, 1/4" X 1"
14	10-18485	BLACK DISC

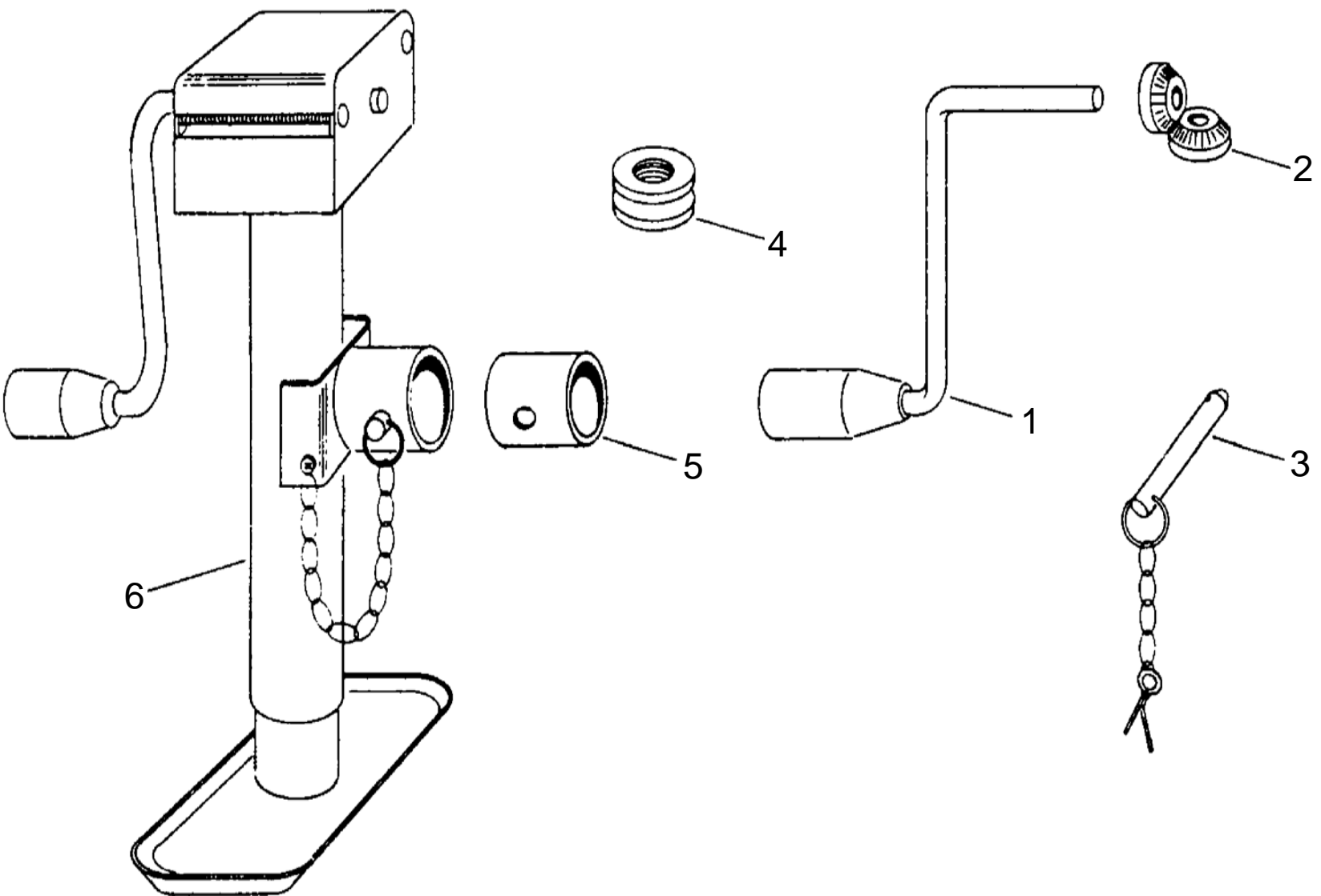
# SIDEWINDER JACK-FULTON



## SIDEWINDER JACK-FULTON

ITEM	PART NO.	DESCRIPTION
1	10-18538	Crank assembly kit
2	10-18539	Beveled gear kit
3	10-18374	Pin & chain kit
5	10-18116	Pipe mount, weld on
6	10-18080	Jack, side winder

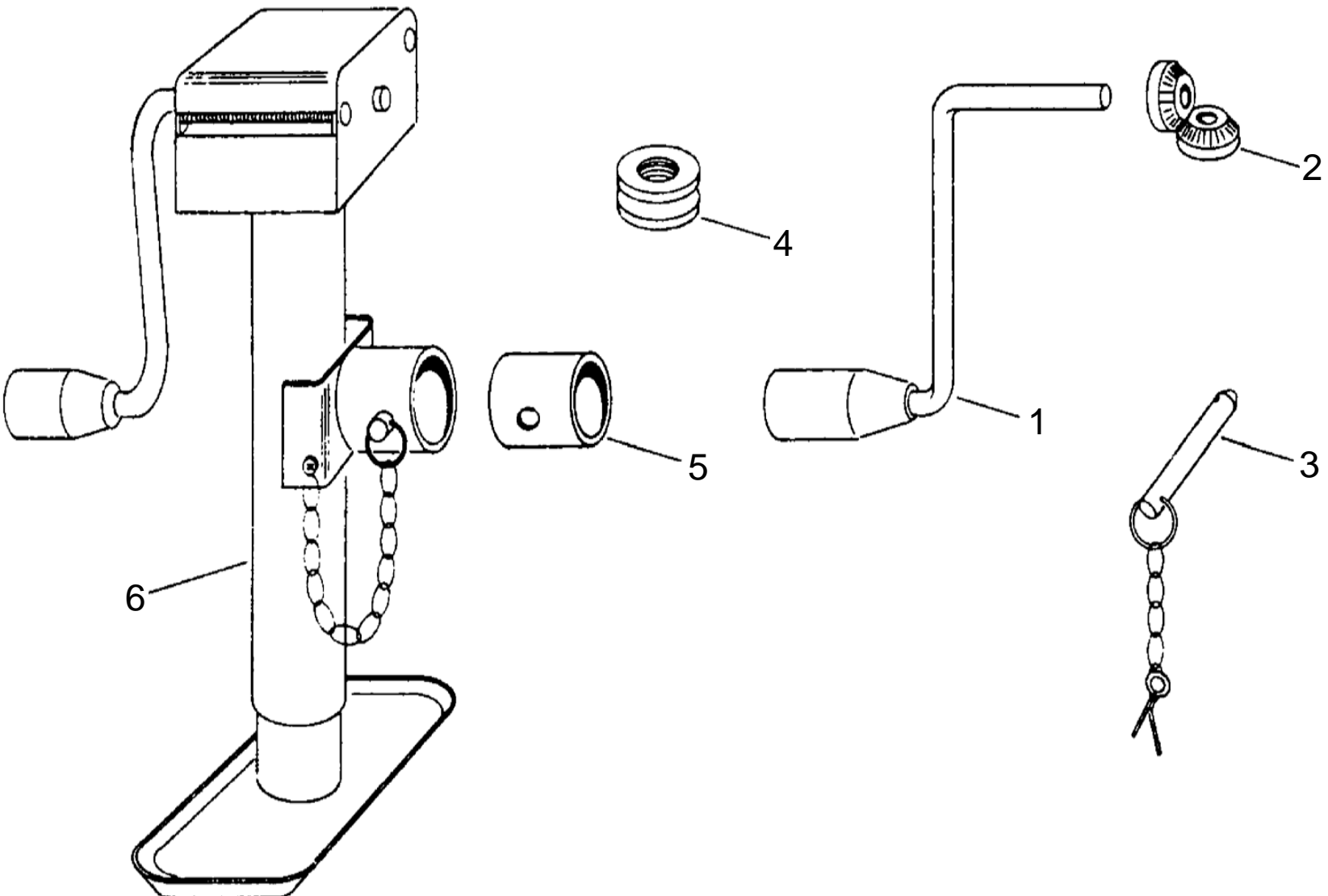
# SIDEWINDER JACK-RAM



# SIDEWINDER JACK-RAM

ITEM	PART NO.	DESCRIPTION
1	10-18534	Crank assembly kit
2	10-18535	Beveled gear kit
3	10-18374	Pin & chain kit
5	10-18116	Pipe mount, weld on
6	10-18080	Jack, side winder

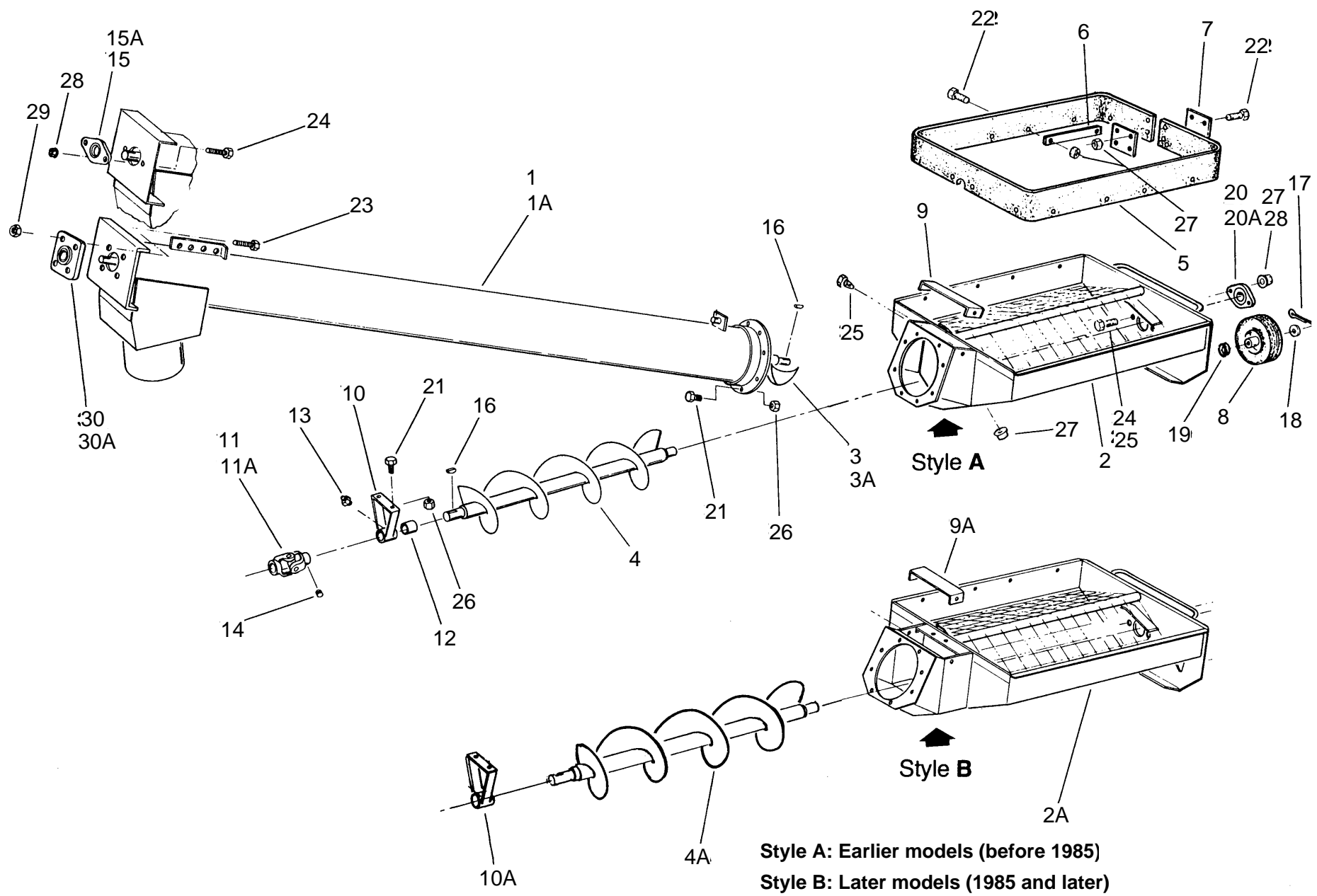
# SIDEWINDER JACK-CROWN



# SIDEWINDER JACK-CROWN

ITEM	PART NO.	DESCRIPTION
1	10-18373	Crank assembly kit
2	10-18375	Beveled gear kit
3	10-18374	Pin & chain kit
5	10-18116	Pipe mount, weld on
6	10-18080	Jack, side winder

**INCLINED HOPPER, H08-6&9**

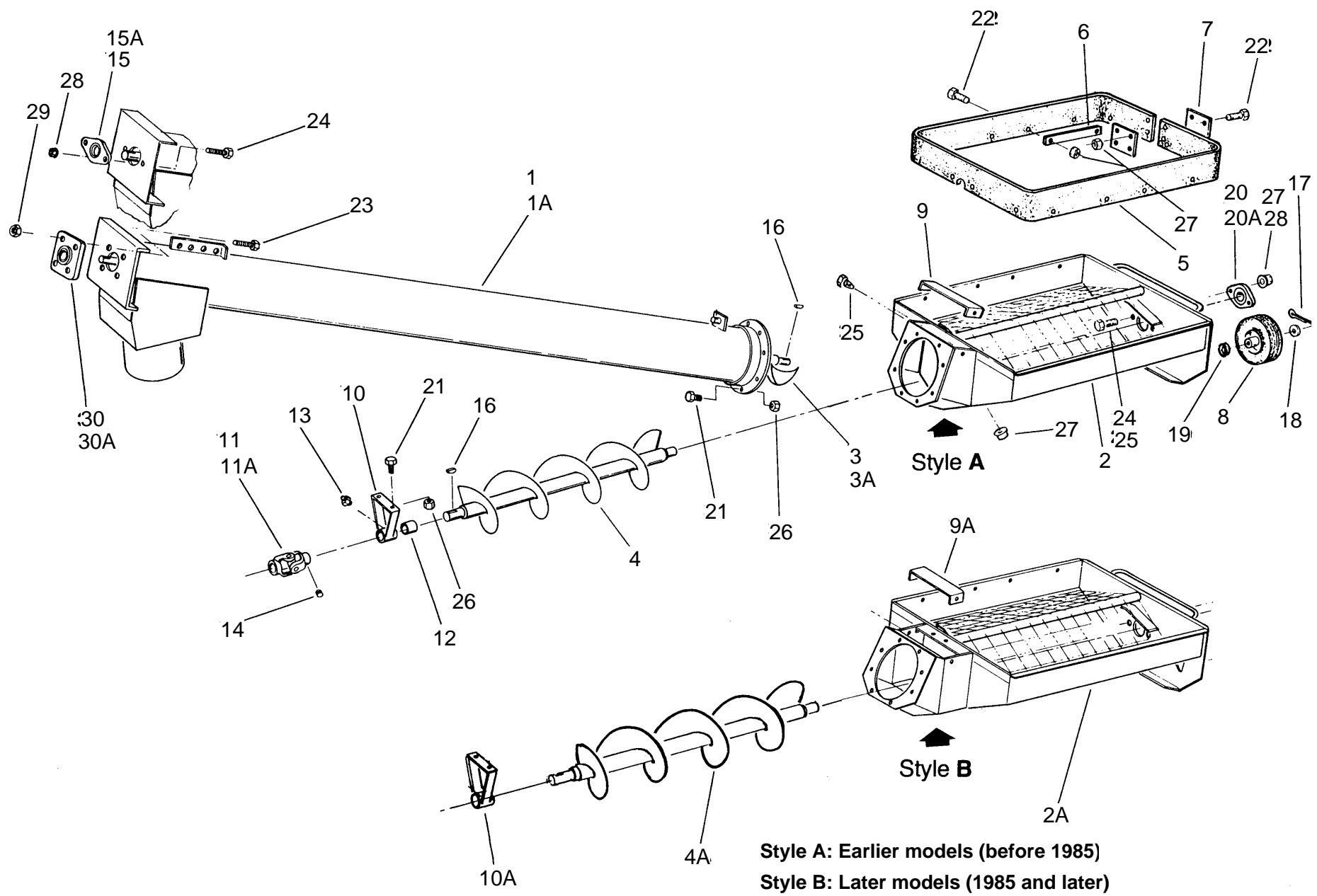


**Style A: Earlier models (before 1985)**  
**Style B: Later models (1985 and later)**

## INCLINED HOPPER, H08-6&9

ITEM	PART NO.	DESCRIPTION
1	10-18045	9' tube section, less bearing & flighting
1A	10-18527	6' tube section, less bearing & flighting
2	10-18047	Hopper, style A, includes ref. no. 9
2A	10-18442	Hopper, style B, includes ref. no. 9A
3	10-18049	Upper flighting (9' 10-1/2" / 9' 11" long)
3A	10-18529	Upper flighting (6' 10-1/2" / 6' 11" long)
4	10-18051	Lower flighting, style A, 3' 4-3/4" long
4A	10-18445	Lower flighting, style B, 3' 10-3/4" long
5	10-18053	Rubber extension
6	10-18054	Attach strap
7	10-18055	Connector plate
8	10-18056	8" wheel
9	10-18057	Cover, style A
9A	10-18448	Cover, style B
10	10-18058	Hanger bearing, style A, c/w bushing & grease fitting
10A	10-18444	Hanger bearing, style B, c/w bushing & grease fitting
11	10-19290	Universal joint, 1" round x 1" round
11A	10-19235	Repair kit, universal joint
12	10-19149	1" bushing
13	10-19222	Grease fitting, press-in
14	10-19225	Set screw, 3/8-16 x 3/8"
15	10-19322	1-1/4" bearing, 2 hole flange
15A	10-18853	1-1/4" bearing, less flange
16	10-19224	Woodruff key, 1/4" x 1"
17	10-19271	Cotter pin, 1/8" x 1-1/2"
18	10-18096	Rim washer, 5/8"
19	10-18099	Wheel bearing, 5/8"
20	10-19321	Bearing with lock collar (check bearing)
20A	10-19243	Bearing with set screw (check bearing)
21	10-19542	Bolt, 7/16" - 14 x 1", grade 5
22	10-18091	5/16" X 1" NC BOLT GR 2 PLTD
23	10-19589	Bolt, 1/2" - 13 x 1-1/2", grade 2
24	10-19540	Bolt, 3/8" - 16 x 3/4", grade 2
25	10-19538	Bolt, 5/16" - 18 x 3/4", grade 2
26	10-19598	Locknut, 7/16" - 14
27	10-19595	Washer locknut, 5/16" - 18
28	10-19596	Washer locknut, 3/8" - 16

**INCLINED HOPPER, H10-68&9**

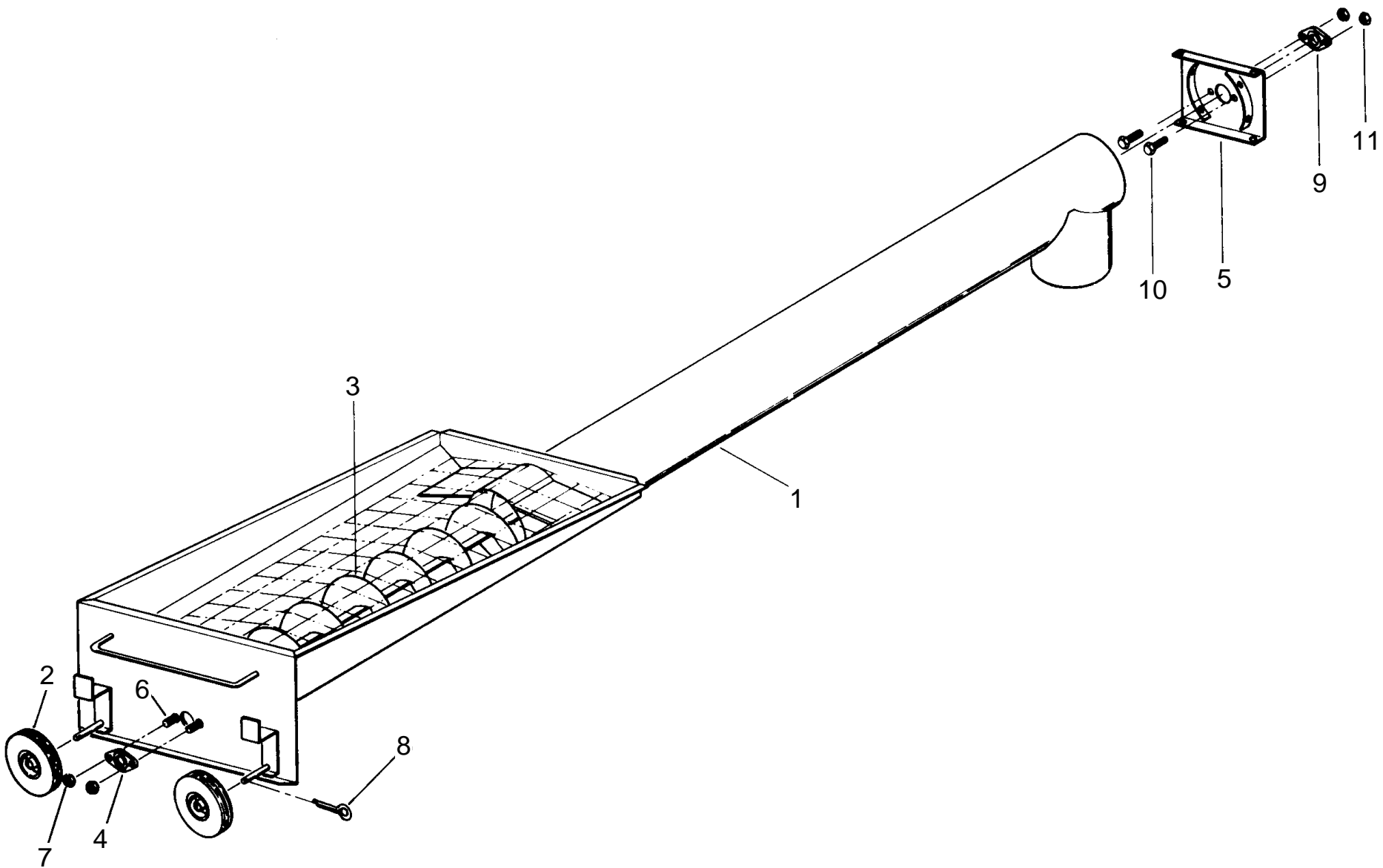


**Style A: Earlier models (before 1985)**  
**Style B: Later models (1985 and later)**

## INCLINED HOPPER, H10-6&9

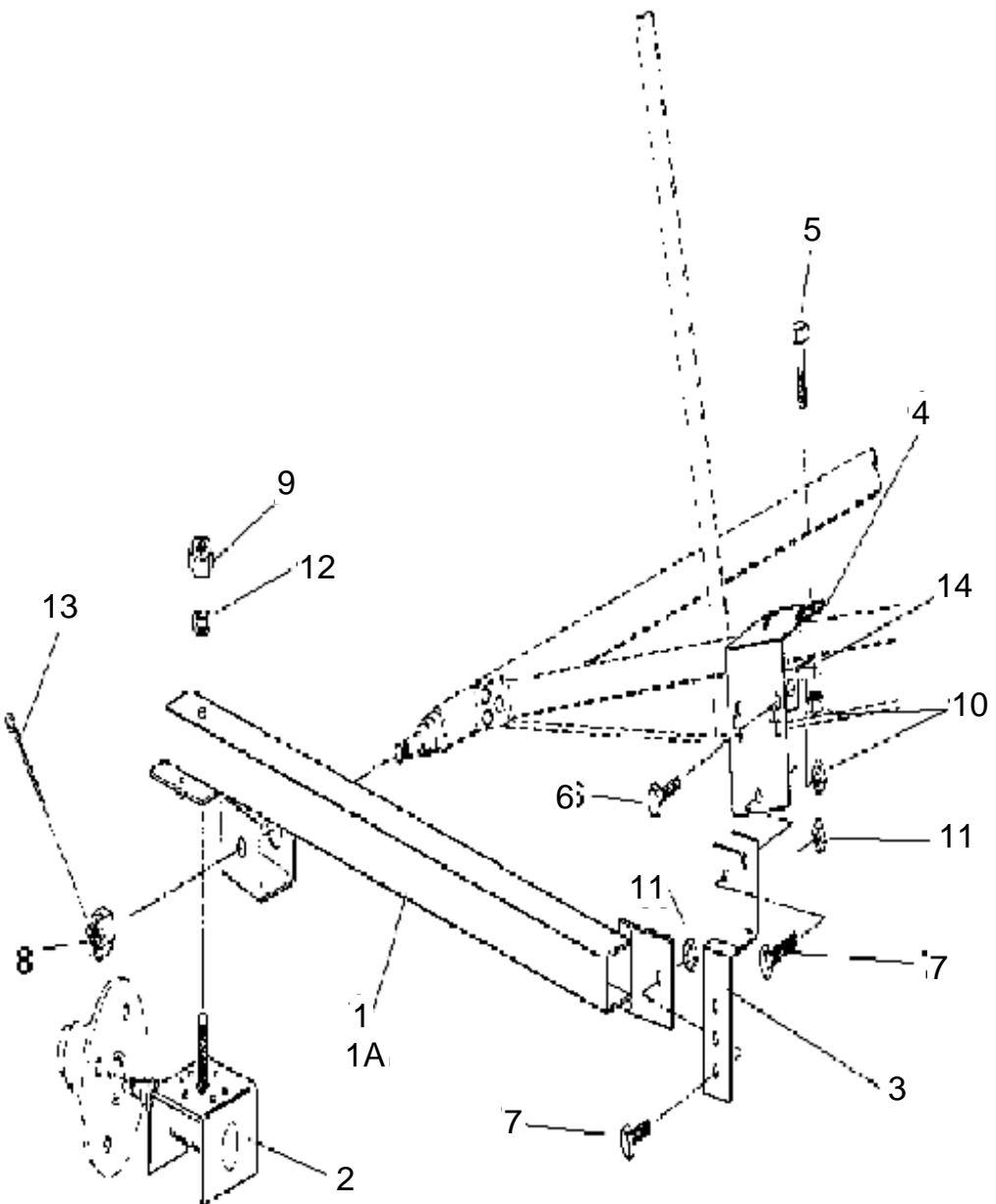
ITEM	PART NO.	DESCRIPTION
1	10-18046	9' tube section, less bearing & flighting
1A	10-18528	6' tube section, less bearing & flighting
2	10-18048	Hopper, style A, includes ref. no. 9
2A	10-18443	Hopper, style B, includes ref. no. 9A
3	10-18050	Upper flighting (9' 10-1/2" / 9' 11" long)
3A	10-18530	Upper flighting (6' 10-1/2" / 6' 11" long)
4	10-18052	Lower flighting, style A, 3' 4-3/4" long
4A	10-18447	Lower flighting, style B, 3' 10-3/4" long
5	10-18053	Rubber extension
6	10-18054	Attach strap
7	10-18055	Connector plate
8	10-18056	8" wheel
9	10-18057	Cover, style A
9A	10-18057	Cover, style B
10	10-18059	Hanger bearing, style A, c/w bushing & grease fitting
10A	10-18446	Hanger bearing, style B, c/w bushing & grease fitting
11	10-19290	Universal joint, 1" round x 1" round
11A	10-19235	Repair kit, universal joint
12	10-19149	1" bushing
13	10-19222	Grease fitting, press-in
14	10-19225	Set screw, 3/8-16 x 3/8"
16	10-19224	Woodruff key, 1/4" x 1"
17	10-19271	Cotter pin, 1/8" x 1-1/2"
18	10-18096	Rim washer, 5/8"
19	10-18099	Wheel bearing, 5/8"
20	10-19322	Bearing with lock collar (check bearing)
20A	10-19244	Bearing with set screw (check bearing)
21	10-19542	Bolt, 7/16" - 14 x 1", grade 5
22	10-18091	5/16" X 1" NC BOLT GR 2 PLTD
23	10-19589	Bolt, 1/2" - 13 x 1-1/2", grade 2
24	10-19540	Bolt, 3/8" - 16 x 3/4", grade 2
25	10-19538	Bolt, 5/16" - 18 x 3/4", grade 2
26	10-19598	Locknut, 7/16" - 14
27	10-19595	Washer locknut, 5/16" - 18
28	10-19596	Washer locknut, 3/8" - 16
29	10-19599	Locknut, 1/2" - 13
30	10-19567	1-1/4" bearing, 4 hole flange
30A	10-18852	1-1/4" bearing, less flange

STRAIGHT HOPPER SWH



## STRAIGHT HOPPER SWH

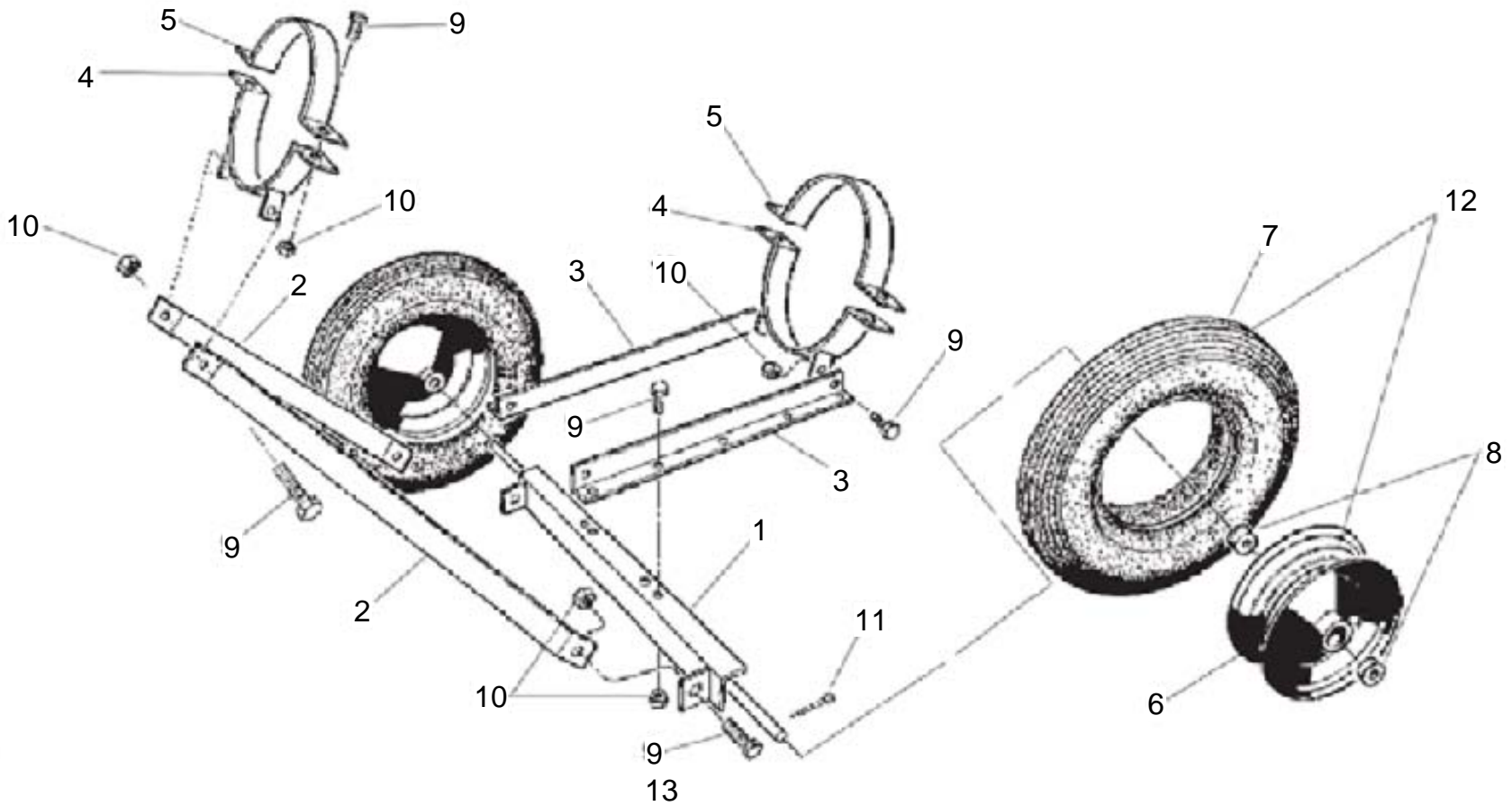
ITEM	PART NO.	DESCRIPTION
1	10-18450	Tube and hopper only
2	10-18056	8" wheels
3	10-18451	Flighting, 9' 11" long
4	10-19321	1" bearing
5	10-18452	End plate, bolt-on
6	10-19538	Bolt, 5/16" - 18 x 3/4" , grade 2
7	10-19595	Washer locknut, 5/16" - 18
8	10-19271	Cotter pin, 1/8" x 1-1/2"
9	10-19322	1-1/4" lockbearing
10	10-19540	Bolt, 3/8" - 16 x 3/4", grade 2
11	10-19596	Washer locknut, 3/8" - 16



## SWIVEL ARC KIT A114

ITEM	PART NO.	DESCRIPTION
1	10-18499	Arm, L.H. (shown)
1A	10-18500	Arm, R.H.
2	10-18501	Bracket, wheel spindle
3	10-18487	Adjust strap
4	10-18489	Attach bracket
5	10-19547	Bolt, 7/16" - 14 x 3-1/2", grade 2, (2-1/2" frame tube)
5	10-19982	Bolt, 7/16" - 14 x 4", grade 2, (3" frame tube)
6	10-19542	Bolt, 7/16" - 14 x 1", grade 5
7	10-19588	Bolt, 1/2" - 13 x 1-1/4", grade 5
8	10-19270	Slotted nut, 3/4" - 16 (NF)
9	10-19997	Hex nut, 3/4" - 10
10	10-19598	Locknut, 7/16" - 14
11	10-19599	Locknut, 1/2" - 13
12	10-19998	Lockwasher, 3/4"
13	10-19271	COTTER PIN, 1/8" x 1-1/2"
14	10-18531	Clamp bracket

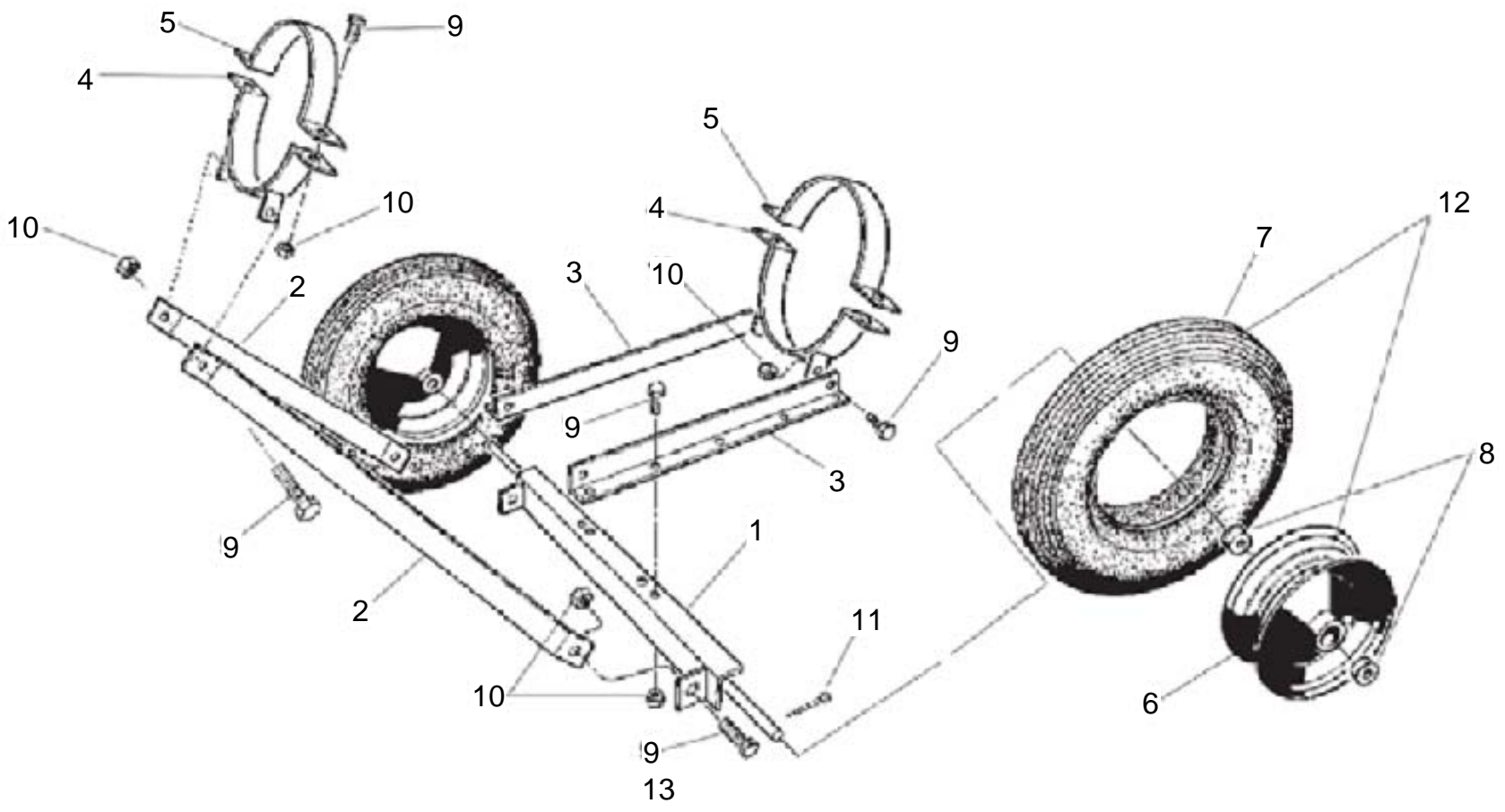
# WHEEL KIT, H08-4



## WHEEL KIT, H08-4

ITEM	PART NO.	DESCRIPTION
1	10-19970	Axle
2	10-19971	Brace
3	10-19972	Adjustment brace
4	10-19923	Tube halfband bracket
5	10-19460	Tube halfband
6	10-19967	8" Wheel c/w bearings
7	10-19969	Tire 4.00 x 8"
8	10-19968	3/4" Bearing
9	10-18698	Bolt, 7/16" - 14 x 1-1/4", grade 8
10	10-19598	Locknut, 7/16" - 14
11	10-18155	Cotter pin, 3/16" x 1-14"
12	9900316	TIRE ASSY,4.8 - 8" (REG- WHITE RIM)
13	10-17182	Washer, 7/16"

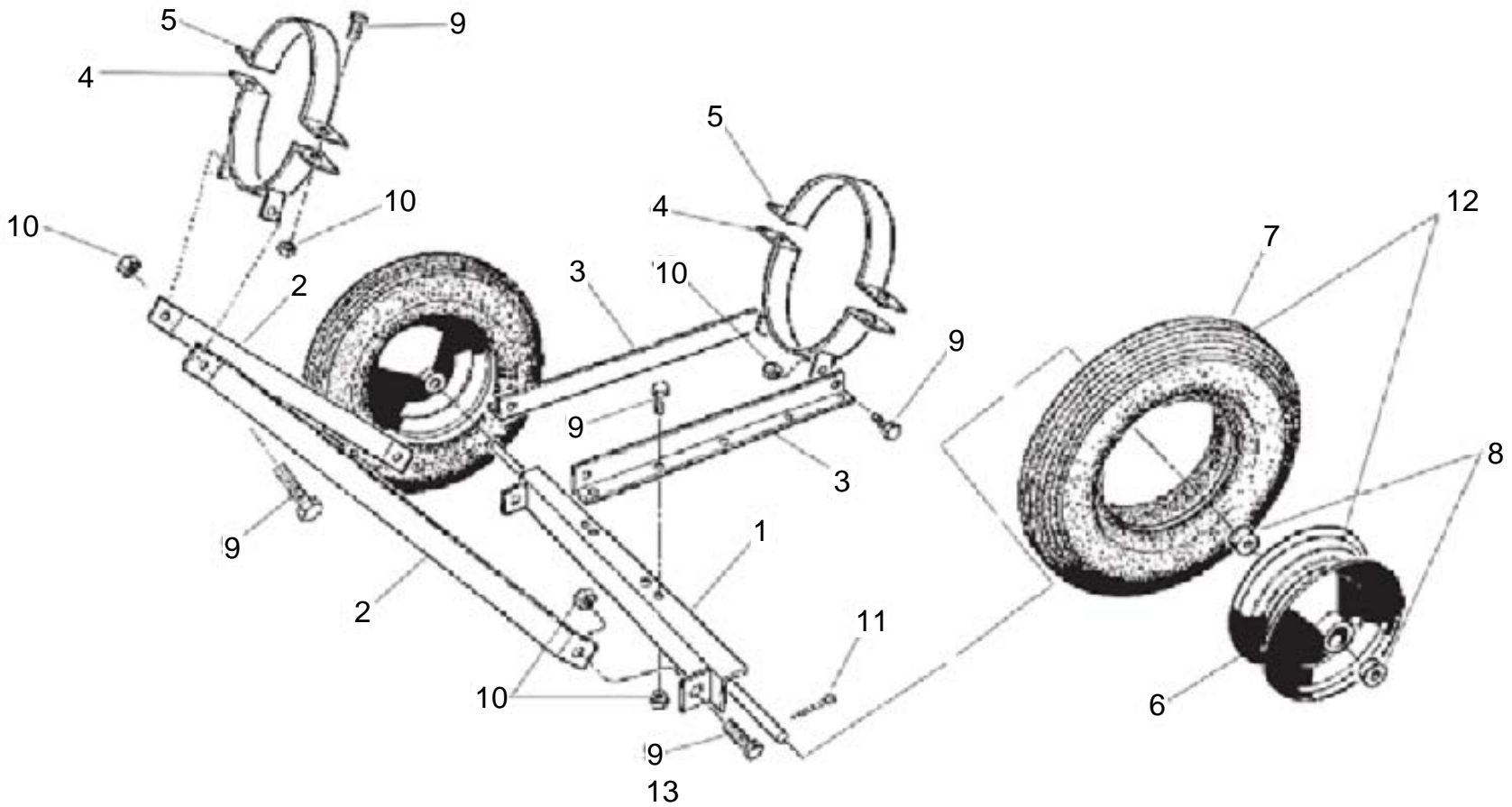
# WHEEL KIT, H10-4



## WHEEL KIT, H10-4

ITEM	PART NO.	DESCRIPTION
1	10-19970	Axle
2	10-19971	Brace
3	10-19972	Adjustment brace
4	10-19973	Tube halfband bracket
5	10-19801	Tube halfband
6	10-19967	8" Wheel c/w bearings
7	10-19969	Tire 4.00 x 8"
8	10-19968	3/4" Bearing
9	10-18698	Bolt, 7/16" x 1-1/4", grade 8
10	10-19598	Locknut, 7/16" - 14
11	10-18155	Cotter pin, 3/16" x 1-14"
12	9900316	TIRE ASSY,4.8 - 8" (REG- WHITE RIM)
13	10-17182	Washer, 7/16"

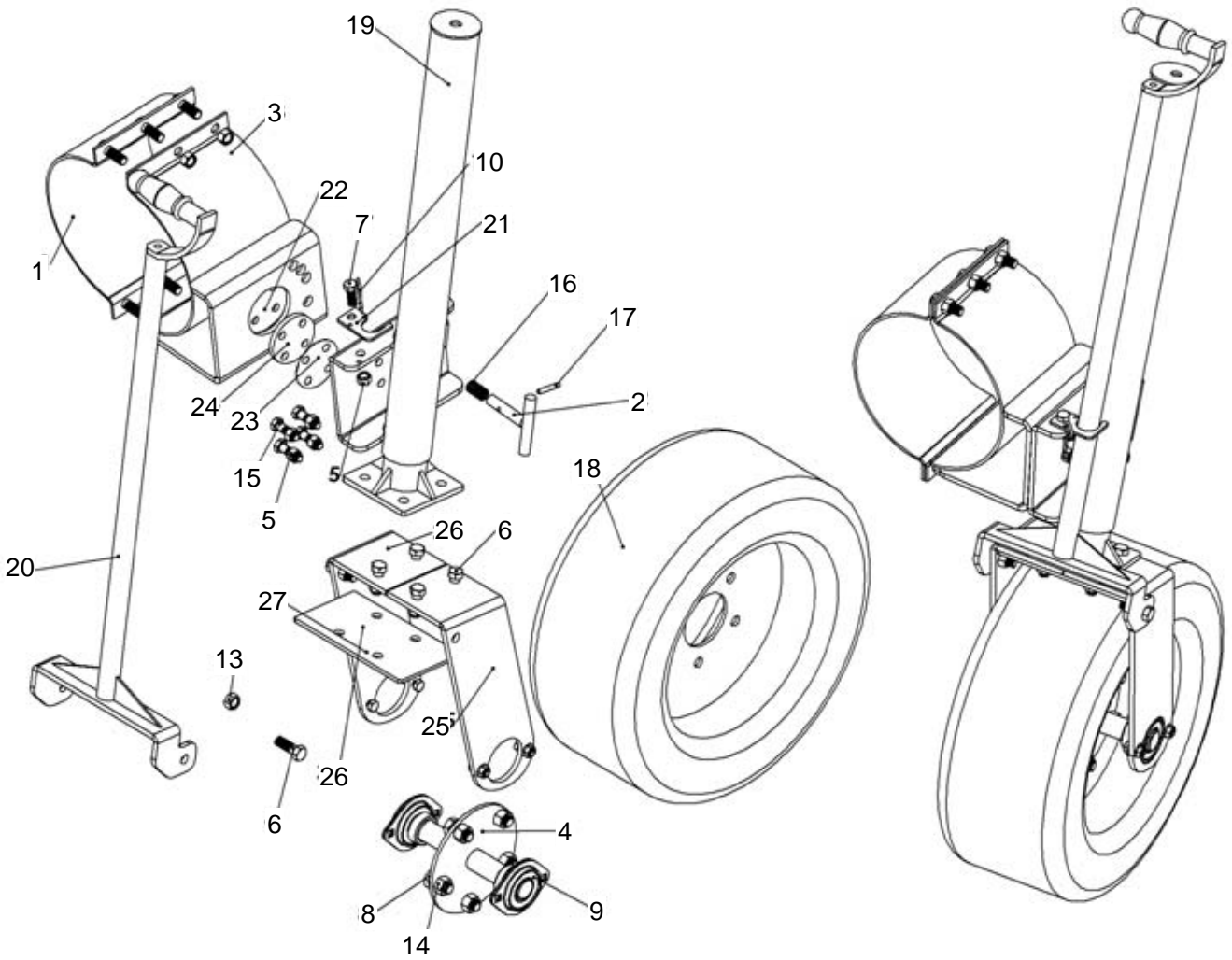
# WHEEL KIT, H13-4



## WHEEL KIT, H13-4

ITEM	PART NO.	DESCRIPTION
1	10-17497	Axle
2	10-17463	Brace
3	10-17503	Adjustment brace
4	10-17498	Tube halfband bracket
5	10-18987	Tube halfband
6	10-19967	8" Wheel c/w bearings
7	10-19969	Tire 4.00 x 8"
8	10-19968	3/4" Bearing
9	10-18698	Bolt, 7/16" x 1-1/4", grade 8
10	10-19598	Locknut, 7/16" - 14
11	10-18155	Cotter pin, 3/16" x 1-14"
12	9900316	TIRE ASSY,4.8 - 8" (REG- WHITE RIM)
13	10-17182	Washer, 7/16"

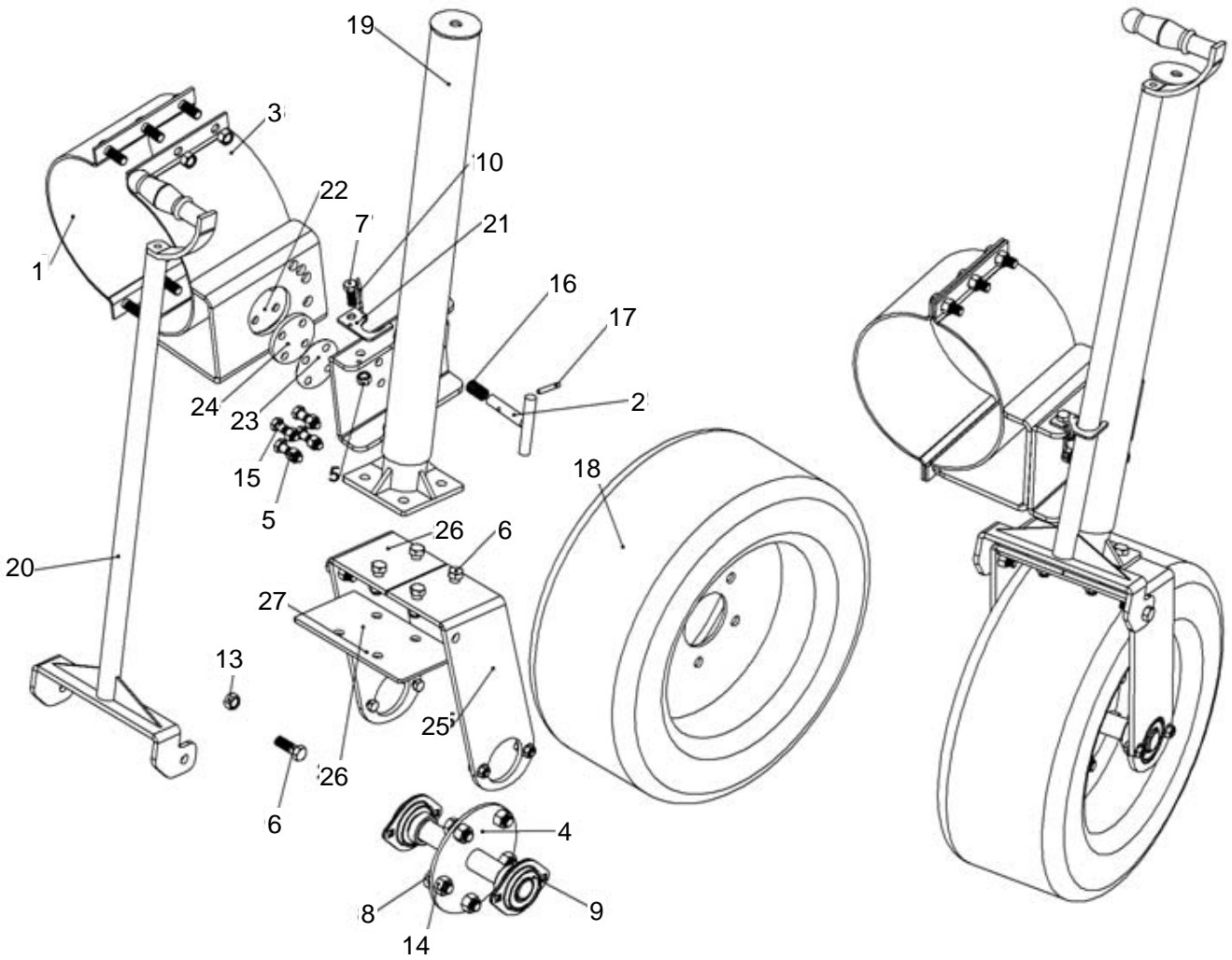
# WHEEL KIT WR & TFX AUGER 8"



## WHEEL KIT WR & TFX AUGER 8"

ITEM	PART NO.	DESCRIPTION
1	10-27454WH	8"/10" HITCH RING
2	10-28856	LOCK PIN WLD'T, MK FLEX
3	10-29339	JACK TUBE CLAMP
4	10-29350	CASTOR AXLE
5	10-17402	NYLON LOCKNUT, 3/8" PLTD
6	10-18698	BOLT, 7/16" x 1-1/4" GR5 PLTD
7	10-18955	BOLT, 3/8" x 1" GR5 PLTD
8	10-19231	BOLT, 1/2" x 1" GR5 PLTD
9	10-19321	1" BEARING, 2-BOLT (w/ FLANGES)
9A	10-18817	1-1/4" BEARING ONLY
9B	10-18694	2-BOLT FLANGE ONLY
10	10-19463	SNAP PIN
11	10-19538	BOLT, 5/16" x 3/4" GR2 PLTD
12	10-19595	WHIZNUT, 5/16" PLTD
13	10-19598	NYLON LOCKNUT, 7/16" PLTD
14	10-19599	LOCKNUT, 1/2" PLTD
15	10-19975	BOLT, 3/8" x 1-1/4" GR5 PLTD
16	10-28645	COMPRESSION SPRING
17	10-28726	ROLL PIN, 5/16" x 2"
18	10-29326	16.5 X 6.5 X 8 PNEUM.WHEEL ASSM
19	10-29341	WHEEL JACK
20	10-29528	JACK HANDLE ASSEMBLY
21	10-29343	LOCKPLATE, JACK HANDLE
22	10-29344	BOLT PLATE, 3"
23	10-29345	SHIM, 2 - 31/64"
24	10-29346	BOLT PLATE, 2 - 31/64"
25	10-29347	castor, Lh
26	10-29348	castor, rh
27	10-29349	sANDWICH PLATE

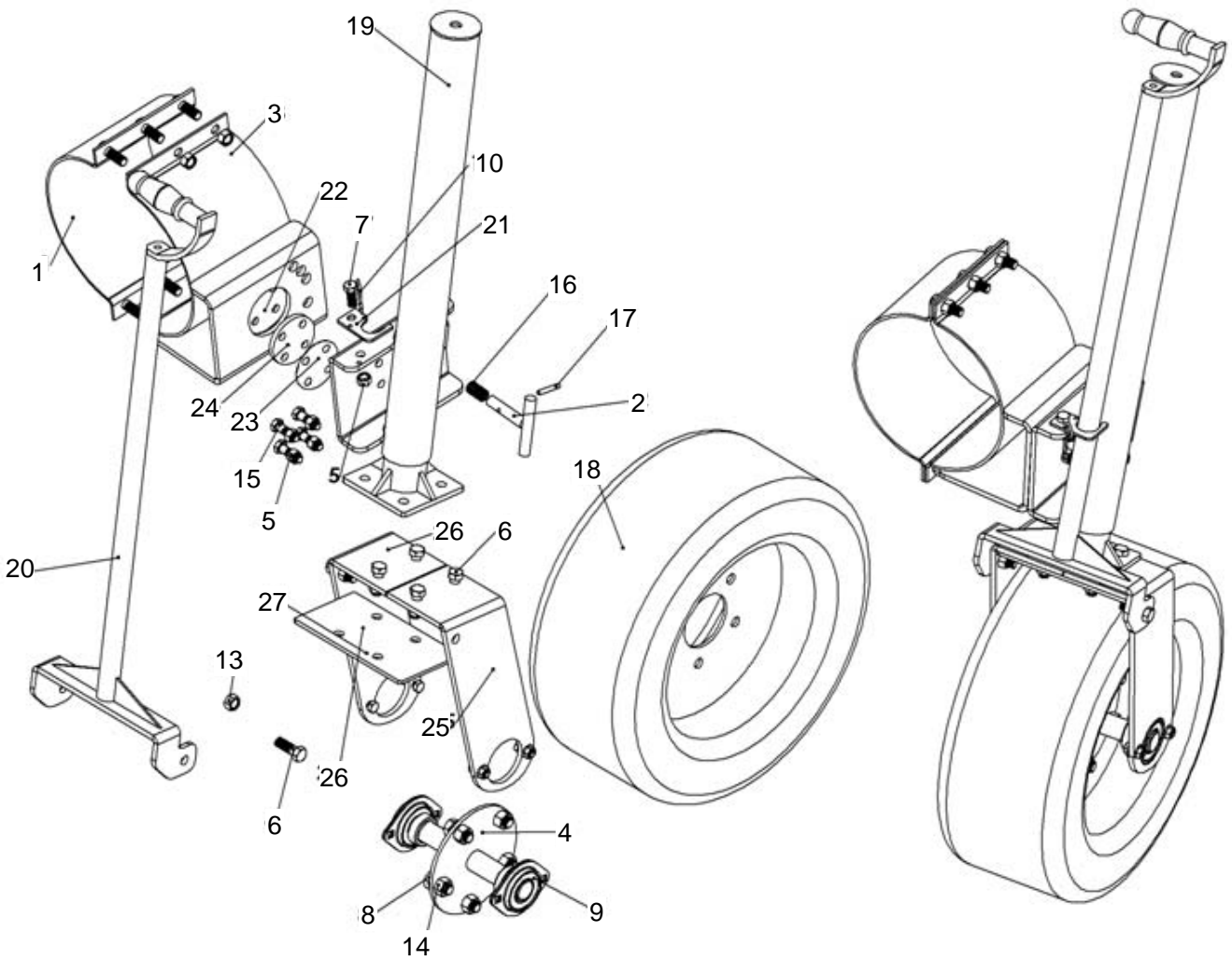
# WHEEL KIT WR & TFX AUGER 10"



## WHEEL KIT WR & TFX AUGER 10"

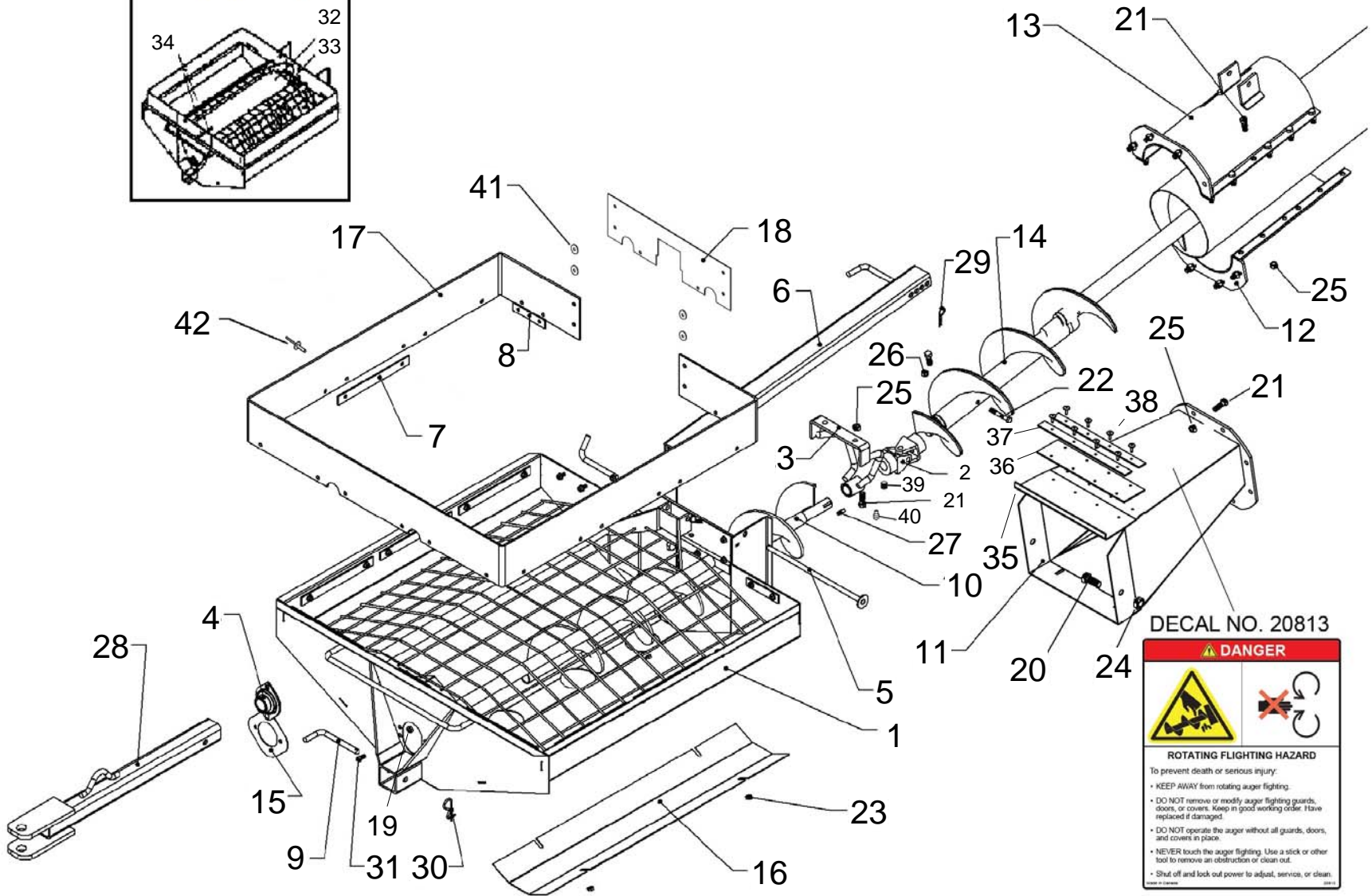
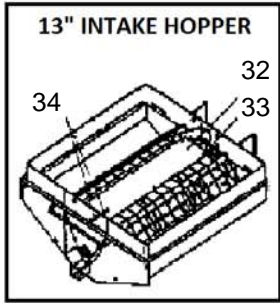
ITEM	PART NO.	DESCRIPTION
1	10-27235WH	8"/10" HITCH RING
2	10-28856	LOCK PIN WLD'T, MK FLEX
3	10-29340	JACK TUBE CLAMP
4	10-29350	CASTOR AXLE
5	10-17402	NYLON LOCKNUT, 3/8" PLTD
6	10-18698	BOLT, 7/16" x 1-1/4" GR5 PLTD
7	10-18955	BOLT, 3/8" x 1" GR5 PLTD
8	10-19231	BOLT, 1/2" x 1" GR5 PLTD
9	10-19321	1" BEARING, 2-BOLT (w/ FLANGES)
9A	10-18817	1-1/4" BEARING ONLY
9B	10-18694	2-BOLT FLANGE ONLY
10	10-19463	SNAP PIN
11	10-19538	BOLT, 5/16" x 3/4" GR2 PLTD
12	10-19595	WHIZNUT, 5/16" PLTD
13	10-19598	NYLON LOCKNUT, 7/16" PLTD
14	10-19599	LOCKNUT, 1/2" PLTD
15	10-19975	BOLT, 3/8" x 1-1/4" GR5 PLTD
16	10-28645	COMPRESSION SPRING
17	10-28726	ROLL PIN, 5/16" x 2"
18	10-29326	16.5 X 6.5 X 8 PNEUM.WHEEL ASSM
19	10-29341	WHEEL JACK
20	10-29528	JACK HANDLE ASSEMBLY
21	10-29343	LOCKPLATE, JACK HANDLE
22	10-29344	BOLT PLATE, 3"
23	10-29345	SHIM, 2 - 31/64"
24	10-29346	BOLT PLATE, 2 - 31/64"
25	10-29347	castor, Lh
26	10-29348	castor, rh
27	10-29349	sANDWICH PLATE

# WHEEL KIT WR & TFX AUGER 13"



## WHEEL KIT WR & TFX AUGER 13"

ITEM	PART NO.	DESCRIPTION
1	10-27455WH	8"/10" HITCH RING
2	10-28856	LOCK PIN WLD'T, MK FLEX
3	10-29686	JACK TUBE CLAMP
4	10-29350	CASTOR AXLE
5	10-17402	NYLON LOCKNUT, 3/8" PLTD
6	10-18698	BOLT, 7/16" x 1-1/4" GR5 PLTD
7	10-18955	BOLT, 3/8" x 1" GR5 PLTD
8	10-19231	BOLT, 1/2" x 1" GR5 PLTD
9	10-19321	1" BEARING, 2-BOLT (w/ FLANGES)
9A	10-18817	1-1/4" BEARING ONLY
9B	10-18694	2-BOLT FLANGE ONLY
10	10-19463	SNAP PIN
11	10-19538	BOLT, 5/16" x 3/4" GR2 PLTD
12	10-19595	WHIZNUT, 5/16" PLTD
13	10-19598	NYLON LOCKNUT, 7/16" PLTD
14	10-19599	LOCKNUT, 1/2" PLTD
15	10-19975	BOLT, 3/8" x 1-1/4" GR5 PLTD
16	10-28645	COMPRESSION SPRING
17	10-28726	ROLL PIN, 5/16" x 2"
18	10-29326	16.5 X 6.5 X 8 PNEUM.WHEEL ASSM
19	10-29341	WHEEL JACK
20	10-29528	JACK HANDLE ASSEMBLY
21	10-29343	LOCKPLATE, JACK HANDLE
22	10-29344	BOLT PLATE, 3"
23	10-29345	SHIM, 2 - 31/64"
24	10-29346	BOLT PLATE, 2 - 31/64"
25	10-29347	castor, Lh
26	10-29348	castor, rh
27	10-29349	sANDWICH PLATE



DECAL NO. 20813

**⚠ DANGER**

**ROTATING FLIGHTING HAZARD**

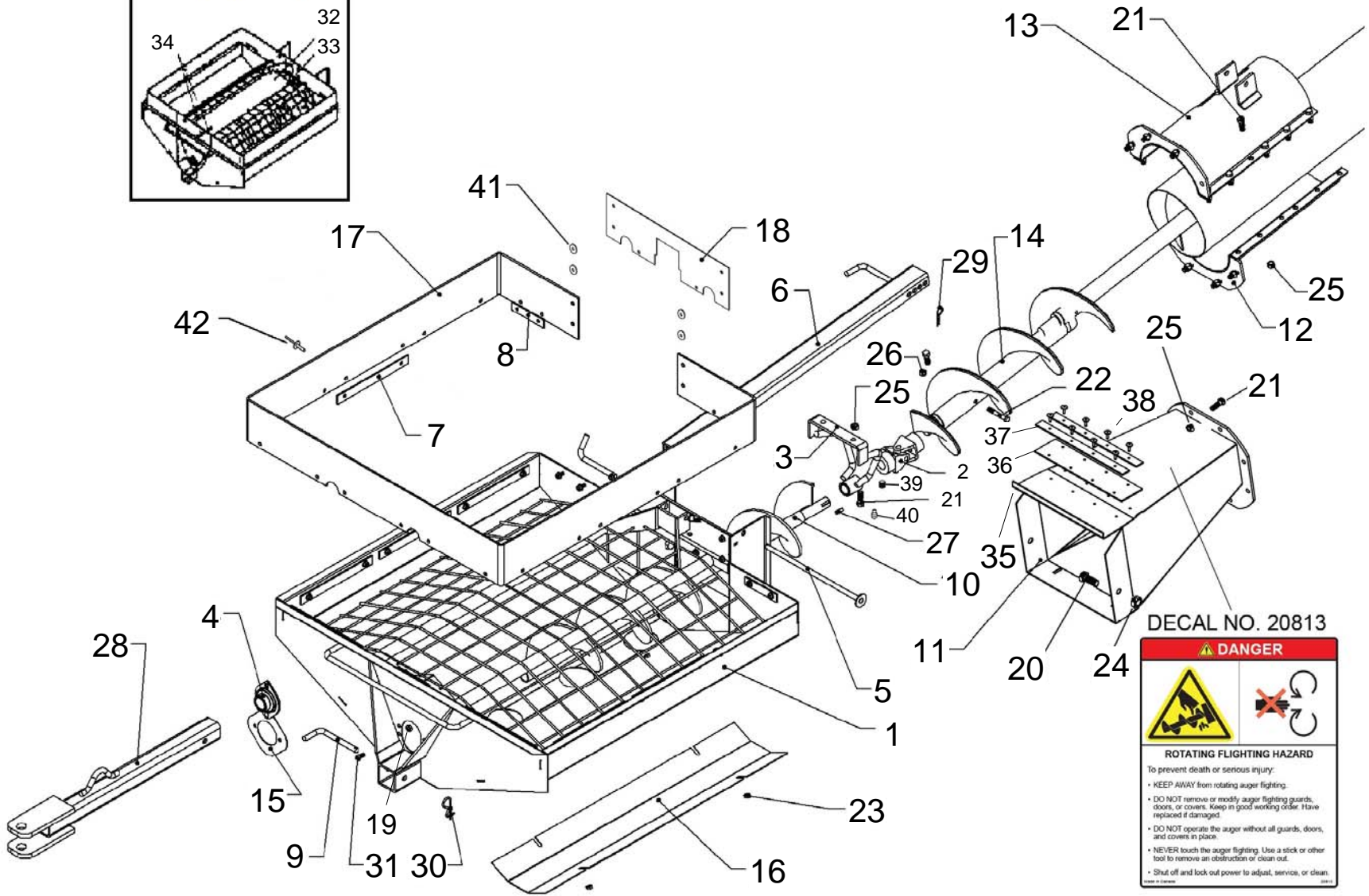
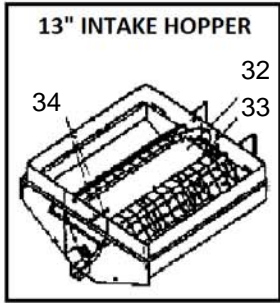
To prevent death or serious injury:

- KEEP AWAY from rotating auger flighting.
- DO NOT remove or modify auger flighting guards, doors, or covers. Keep in good working order. Have replaced if damaged!
- DO NOT operate the auger without all guards, doors, and covers in place.
- NEVER touch the auger flighting. Use a stick or other tool to remove an obstruction or clean out.
- Shut off and lock out power to adjust, service, or clean.

© 2014

## INTAKE HOPPER 8"

ITEM	PART NO.	DESCRIPTION
1	10-29317	INTAKE HOPPER ONLY
1A	10-29318	INTAKE HOPPER , AS SHIPPED
2	10-29175	HIGH ANGLE LP U-JOINT
2A	10-17029	CROSS KIT
3	10-29329	BUSHING SUPPORT, W/ BUSHING
4	10-19322	1-1/4" BEARING, 2-BOLT (w/ FLANGES)
4A	10-18695	2-BOLT FLANGE ONLY
4B	10-18853	1-1/4" BEARING ONLY
5	10-29323	DOOR PIN
6	10-29337	TRANSPORT CHANNEL
7	10-22050	BELTING ATTACH STRAP (MEDIUM)
8	10-22049	BELTING STRAP (SHORT)
9	10-19648	SADDLE PIN
10	10-29320	INTAKE HOPPER FLIGHTING
11	10-29324	INTAKE HOPPER TRANSITION
12	10-29333	BOTTOM TUBE CLAMP
13	10-29332	TOP TUBE CLAMP
14	10-29327	TRANSITION FLIGHT
15	10-29338	BEARING SUPPORT PLATE
16	10-29355	CLEANOUT COVER
17	10-29353	INTAKE HOPPER RUBBER EXT.
18	10-29354	RUBBER CONNECT PLATE
19	10-19596	WHIZNUT, 3/8"
20	10-19590	BOLT, 5/8" x 1 1/2" GR5 PLTD
21	10-18698	BOLT, 7/16" x 1 1/4" GR5 PLTD
22	10-18699	BOLT, 3/8" x 2 1/2"(8"), 3" (10") or 1/2" x 4-1/2" (13") GR5 PLTD
23	10-19595	WHIZNUT, 5/16" PLTD
24	10-19600	LOCKNUT, 5/8" PLTD
25	10-17593	NYLON LOCKNUT, 7/16" PLTD
26	10-17402	NYLON LOCKNUT, 3/8" PLTD
27	10-19224	1/4" x 1" WOODRUFF KEY
28	10-29336	INTAKE HOPPER TOW BAR
29	10-19463	SNAP PIN
30	10-17383	GRIP CLIP
31	10-18955	BOLT, 3/8" x 1" GR5 PLTD
35	10-21782	8" ACCESS DOOR, TRANSITION
36	10-21779	TRANSITION BELT
37	10-21806	REG TRANSITION BELT STRAP
38	10-18185	LARGE FLANGE RIVET
39	10-19225	3/8" X 3/8" SET SCREW
40	10-19222	1/4" #28 GREASE ZERK
41	10-18186	RIVET WASHER, 3/16" X 1"
42	10-20399	GRIP ALUM RIVET, 3/16" X 5/8"



DECAL NO. 20813

**⚠ DANGER**

**ROTATING FLIGHTING HAZARD**

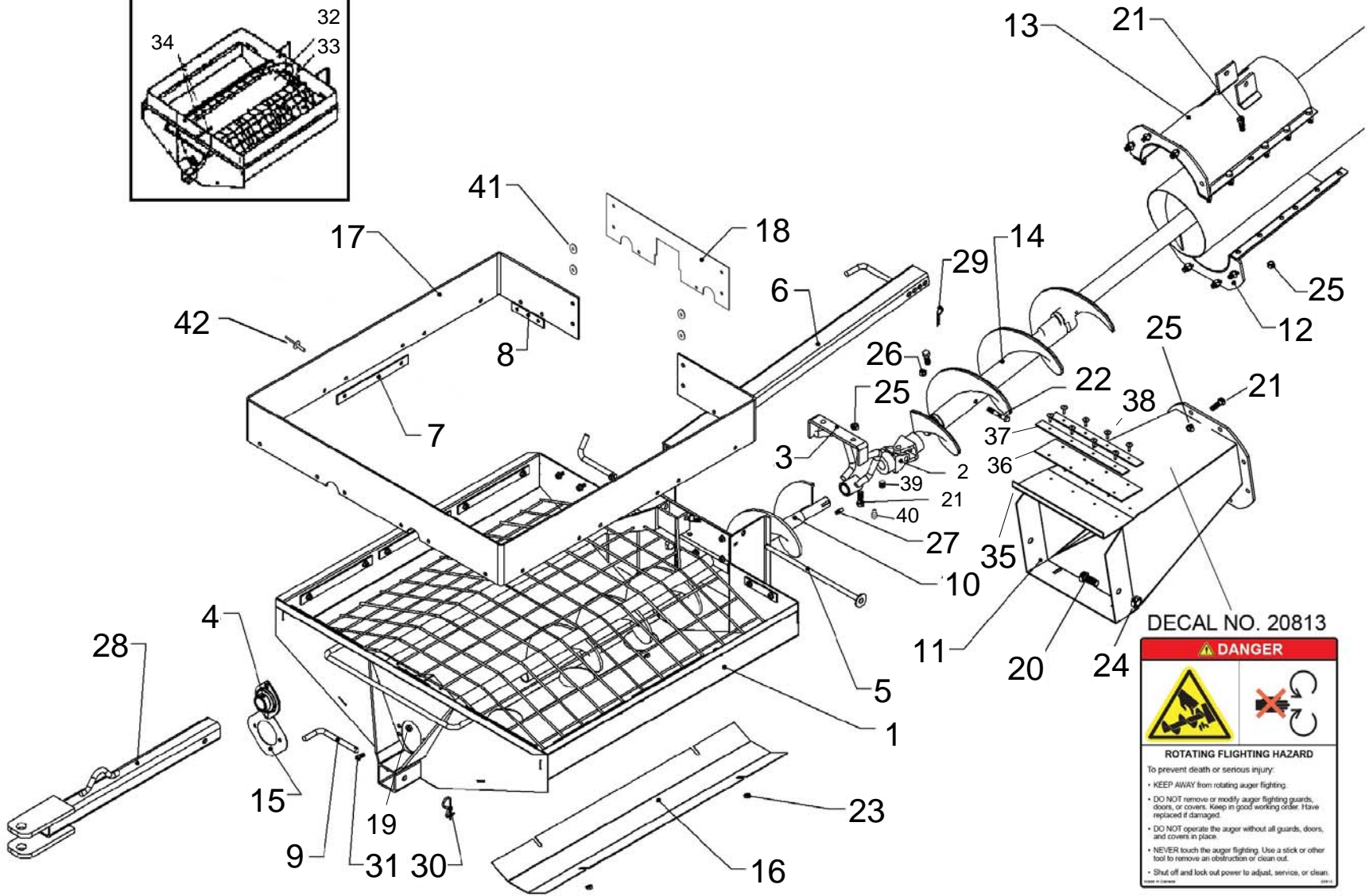
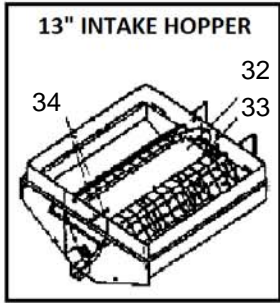
To prevent death or serious injury:

- KEEP AWAY from rotating auger flighting.
- DO NOT remove or modify auger flighting guards, doors, or covers. Keep in good working order. Have replaced if damaged!
- DO NOT operate the auger without all guards, doors, and covers in place.
- NEVER touch the auger flighting. Use a stick or other tool to remove an obstruction or clean out.
- Shut off and lock out power to adjust, service, or clean.

© 2011

## INTAKE HOPPER 10"

ITEM	PART NO.	DESCRIPTION
1	10-29317	INTAKE HOPPER ONLY
1A	10-29319	INTAKE HOPPER , AS SHIPPED
2	10-29175	HIGH ANGLE LP U-JOINT
2A	10-17029	CROSS KIT
3	10-29331	BUSHING SUPPORT, W/ BUSHING
4	10-19322	1-1/4" BEARING, 2-BOLT (w/ FLANGES)
4A	10-18695	2-BOLT FLANGE ONLY
4B	10-18853	1-1/4" BEARING ONLY
5	10-29323	DOOR PIN
6	10-29337	TRANSPORT CHANNEL
7	10-22050	BELTING ATTACH STRAP (MEDIUM)
8	10-22049	BELTING STRAP (SHORT)
9	10-19648	SADDLE PIN
10	10-29321	INTAKE HOPPER FLIGHTING
11	10-29325	INTAKE HOPPER TRANSITION
12	10-29335	BOTTOM TUBE CLAMP
13	10-29334	TOP TUBE CLAMP
14	10-29328	TRANSITION FLIGHT
15	10-29338	BEARING SUPPORT PLATE
16	10-29355	CLEANOUT COVER
17	10-29353	INTAKE HOPPER RUBBER EXT.
18	10-29354	RUBBER CONNECT PLATE
19	10-19596	WHIZNUT, 3/8"
20	10-19590	BOLT, 5/8" x 1 1/2" GR5 PLTD
21	10-18698	BOLT, 7/16" x 1 1/4" GR5 PLTD
22	10-27981	BOLT, 3/8" x 2 1/2"(8"), 3" (10") or 1/2" x 4-1/2" (13") GR5 PLTD
23	10-19595	WHIZNUT, 5/16" PLTD
24	10-19600	LOCKNUT, 5/8" PLTD
25	10-17593	NYLON LOCKNUT, 7/16" PLTD
26	10-17402	NYLON LOCKNUT, 3/8" PLTD
27	10-19224	1/4" x 1" WOODRUFF KEY
28	10-29336	INTAKE HOPPER TOW BAR
29	10-19463	SNAP PIN
30	10-17383	GRIP CLIP
31	10-18955	BOLT, 3/8" x 1" GR5 PLTD
35	10-21775	10" TRANSITION ACCESS DOOR
36	10-21779	TRANSITION BELT
37	10-21806	REG TRANSITION BELT STRAP
38	10-18185	LARGE FLANGE RIVET
39	10-19225	3/8" X 3/8" SET SCREW
40	10-19222	1/4" #28 GREASE ZERK
41	10-18186	RIVET WASHER, 3/16" X 1"
42	10-20399	GRIP ALUM RIVET, 3/16" X 5/8"



DECAL NO. 20813

**⚠ DANGER**

**ROTATING FLIGHTING HAZARD**

To prevent death or serious injury:

- KEEP AWAY from rotating auger flighting.
- DO NOT remove or modify auger flighting guards, doors, or covers. Keep in good working order. Have replaced if damaged!
- DO NOT operate the auger without all guards, doors, and covers in place.
- NEVER touch the auger flighting. Use a stick or other tool to remove an obstruction or clean out.
- Shut off and lock out power to adjust, service, or clean.

© 2011

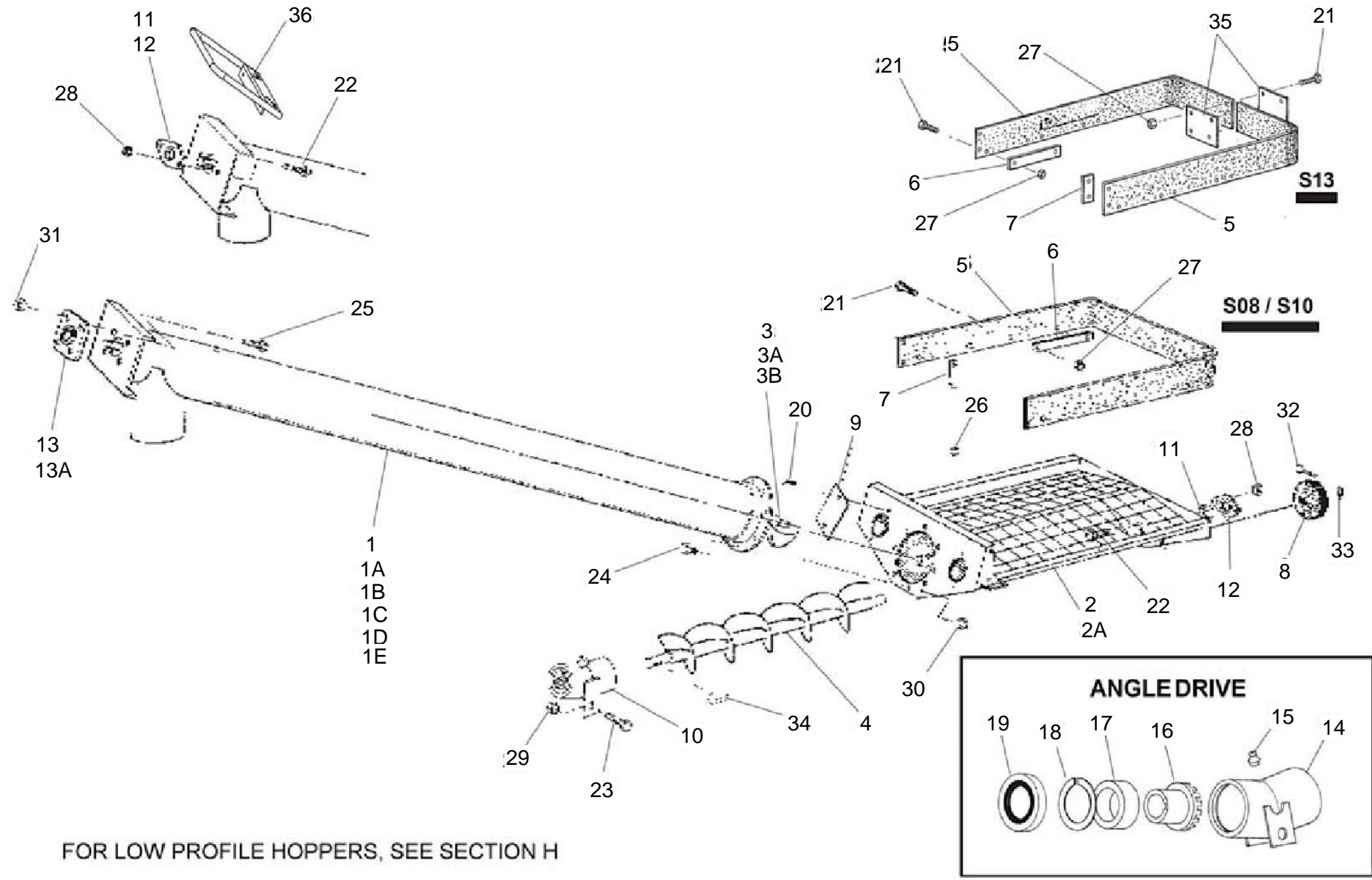
## INTAKE HOPPER 13"

ITEM	PART NO.	DESCRIPTION
1	10-29679	INTAKE HOPPER ONLY
1A	10-29680	INTAKE HOPPER , AS SHIPPED
2	10-29175	HIGH ANGLE LP U-JOINT
2A	10-17029	CROSS KIT
3	10-29329	BUSHING SUPPORT, W/ BUSHING
4	10-19322	1-1/4" BEARING, 2-BOLT (w/ FLANGES)
4A	10-18695	2-BOLT FLANGE ONLY
4B	10-18853	1-1/4" BEARING ONLY
5	10-29682	DOOR PIN
6	10-29693	TRANSPORT CHANNEL
7	10-22050	BELTING ATTACH STRAP (MEDIUM)
7A	10-22051	BELTING ATTACH STRAP (LONG)
8	10-22049	BELTING STRAP (SHORT)
9	10-19648	SADDLE PIN
10	10-29681	INTAKE HOPPER FLIGHTING
11	10-29694	INTAKE HOPPER TRANSITION
12	10-29685	BOTTOM TUBE CLAMP
13	10-29684	TOP TUBE CLAMP
14	10-29683	TRANSITION FLIGHT
16	10-29355	CLEANOUT COVER
17	10-29691	INTAKE HOPPER RUBBER EXT.
18	10-29692	RUBBER CONNECT PLATE
19	10-19596	WHIZNUT, 3/8"
20	10-19590	BOLT, 5/8" x 1 1/2" GR5 PLTD
21	10-18698	BOLT, 7/16" x 1 1/4" GR5 PLTD
22	10-29160	BOLT, 3/8" x 2 1/2"(8"), 3" (10") or 1/2" x 4-1/2" (13") GR5 PLTD
23	10-19595	WHIZNUT, 5/16" PLTD
24	10-19600	LOCKNUT, 5/8" PLTD
25	10-17593	NYLON LOCKNUT, 7/16" PLTD
26	10-17402	NYLON LOCKNUT, 3/8" PLTD
26A	10-19599	NYLON LOCKNUT, 1/2" PLTD
27	10-19224	1/4" x 1" WOODRUFF KEY
28	10-29336	INTAKE HOPPER TOW BAR
29	10-19463	SNAP PIN
30	10-17383	GRIP CLIP
31	10-18955	BOLT, 3/8" x 1" GR5 PLTD
32	10-29695	COVER - 13" INTAKE HOPPER
33	10-17392	3/8" FLAT WASHER PLTD
35	10-21969	13" ACCESS DOOR, TRANSITION
36	10-21936	13" INTAKE HOPPER TRANSITION BELT
37	10-21937	13" TRANSITION BELT STRAP
38	10-18185	LARGE FLANGE RIVET
39	10-19225	3/8" X 3/8" SET SCREW
40	10-19222	1/4" #28 GREASE ZERK
41	10-18186	RIVET WASHER, 3/16" X 1"
42	10-20399	GRIP ALUM RIVET, 3/16" X 5/8"



## INCLINED HOPPER: S08-6&9

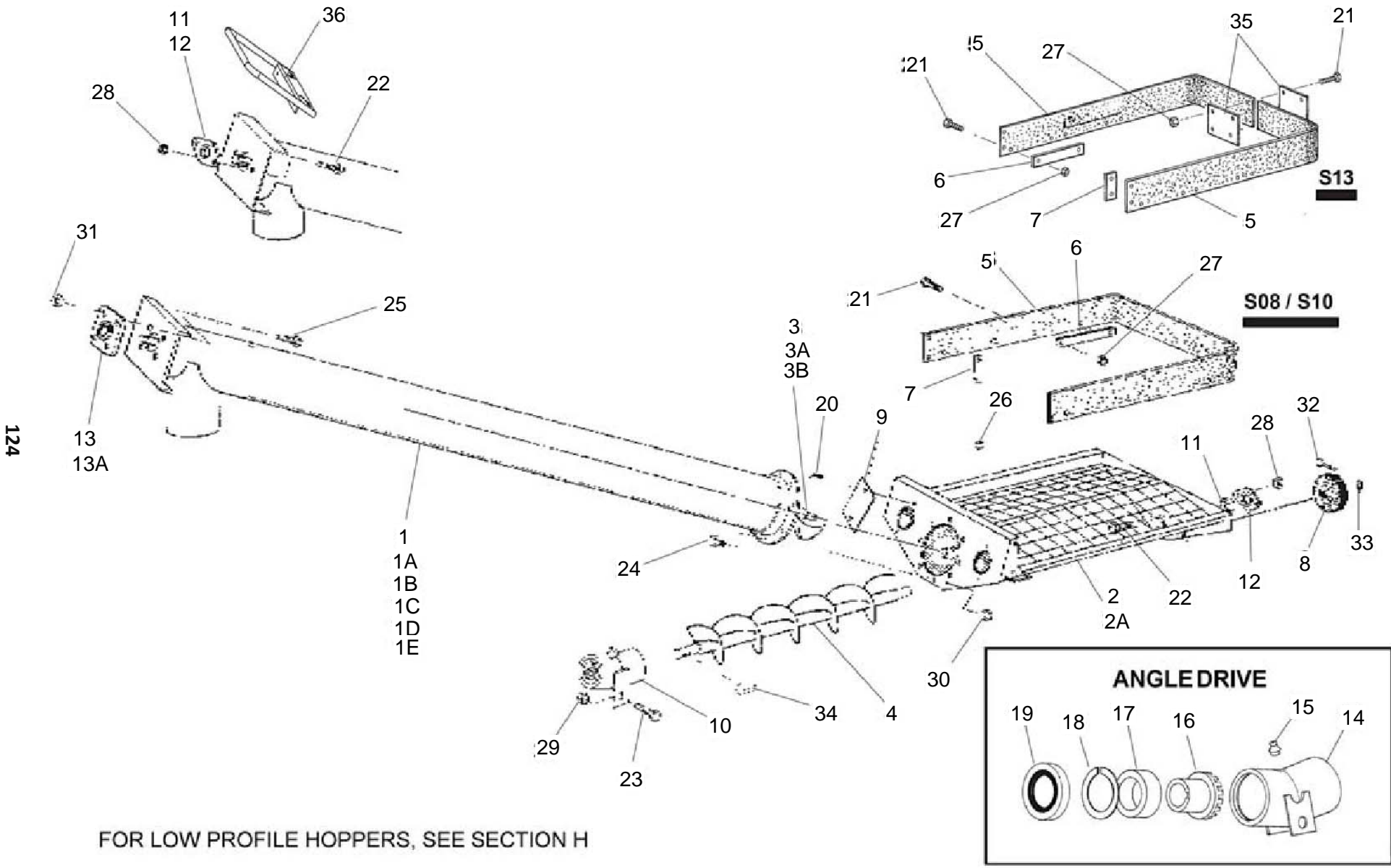
ITEM	PART NO.	DESCRIPTION
1A	10-17043	9' Tube section
1B	10-18527	6' Tube section
1D	10-17045	9' Tube bundle, as shipped
1E	10-17047	6' Tube bundle, as shipped
2	10-18861	Hopper
2A	10-18863	Hopper assembly, as shipped
3A	10-17049	Tube flighting, 9' tube
3B	10-17050	Tube flighting, 6' tube
4	10-18869	Hopper flighting
5	10-18873	Rubber extension
6	10-18054	Attach strap, 13"
7	10-18878	Attach strap, 4-1/2"
8	10-18056	Wheel
9	10-18874	Access plate
10	10-18860	Angle drive
11	10-18853	1-1/4" Bearing, less flanges
12	10-18695	1-1/4" Flangette
14	10-18942	Housing
15	10-19222	Grease fitting
16	10-18943	Gear
17	10-18944	Bushing
18	10-18945	Retaining ring
19	10-18946	Seal
20	10-19537	Bolt, 1/4" - 20 x 1/2", grade 5
21	10-19538	Bolt, 5/16" - 18 x 3/4", grade 2
22	10-19540	Bolt, 3/8" - 16 x 3/4", grade 2
23	10-18955	Bolt, 3/8" - 16 x 1", grade 2
24	10-19542	Bolt, 7/16"-14 x 1"/1-1/4", grade 5
26	10-19594	Washer locknut, 1/4" - 20
27	10-19595	Washer locknut, 5/16" - 18
28	10-19596	Washer locknut, 3/8" - 16
29	10-18956	Locknut, 3/8" - 16
30	10-19598	Locknut, 7/16" - 14
32	10-19271	Cotter pin, 1/8" x 1-1/2"
33	10-18096	Rim washer
34	10-19224	Woodruff key, 1/4" x 1"
36	10-17469	handle



FOR LOW PROFILE HOPPERS, SEE SECTION H

## INCLINED HOPPER: S10-6&9

ITEM	PART NO.	DESCRIPTION
1A	10-17044	9' Tube section
1B	10-18528	6' Tube section
1D	10-17046	9' Tube bundle, as shipped
1E	10-17048	6' Tube bundle, as shipped
2	10-18862	Hopper
2A	10-18864	Hopper assembly, as shipped
3A	10-18050	Tube flighting, 9' tube
3B	10-18530	Tube flighting, 6' tube
4	10-18870	Hopper flighting
5	10-18873	Rubber extension
6	10-18054	Attach strap, 13"
7	10-18878	Attach strap, 4-1/2"
8	10-18056	Wheel
9	10-18874	Access plate
10	10-18860	Angle drive
11	10-18853	1-1/4" Bearing, less flanges
12	10-18695	1-1/4" Flangette
13	10-19567	Bearing assembly
13A	10-18852	Bearing insert only
14	10-18942	Housing
15	10-19222	Grease fitting
16	10-18943	Gear
17	10-18944	Bushing
18	10-18945	Retaining ring
19	10-18946	Seal
20	10-19537	Bolt, 1/4" - 20 x 1/2", grade 5
21	10-19538	Bolt, 5/16" - 18 x 3/4", grade 2
22	10-19540	Bolt, 3/8" - 16 x 3/4", grade 2
23	10-18955	Bolt, 3/8" - 16 x 1", grade 2
24	10-19542	Bolt, 7/16"-14 x 1"/1-1/4", grade 5
25	10-19589	Bolt, 1/2" - 13 x 1-1/2", grade 2
26	10-19594	Washer locknut, 1/4" - 20
27	10-19595	Washer locknut, 5/16" - 18
28	10-19596	Washer locknut, 3/8" - 16
29	10-18956	Locknut, 3/8" - 16
30	10-19598	Locknut, 7/16" - 14
31	10-19599	Locknut, 1/2" - 13
32	10-19271	Cotter pin, 1/8" x 1-1/2"
33	10-18096	Rim washer
34	10-19224	Woodruff key, 1/4" x 1"
36	10-17469	handle

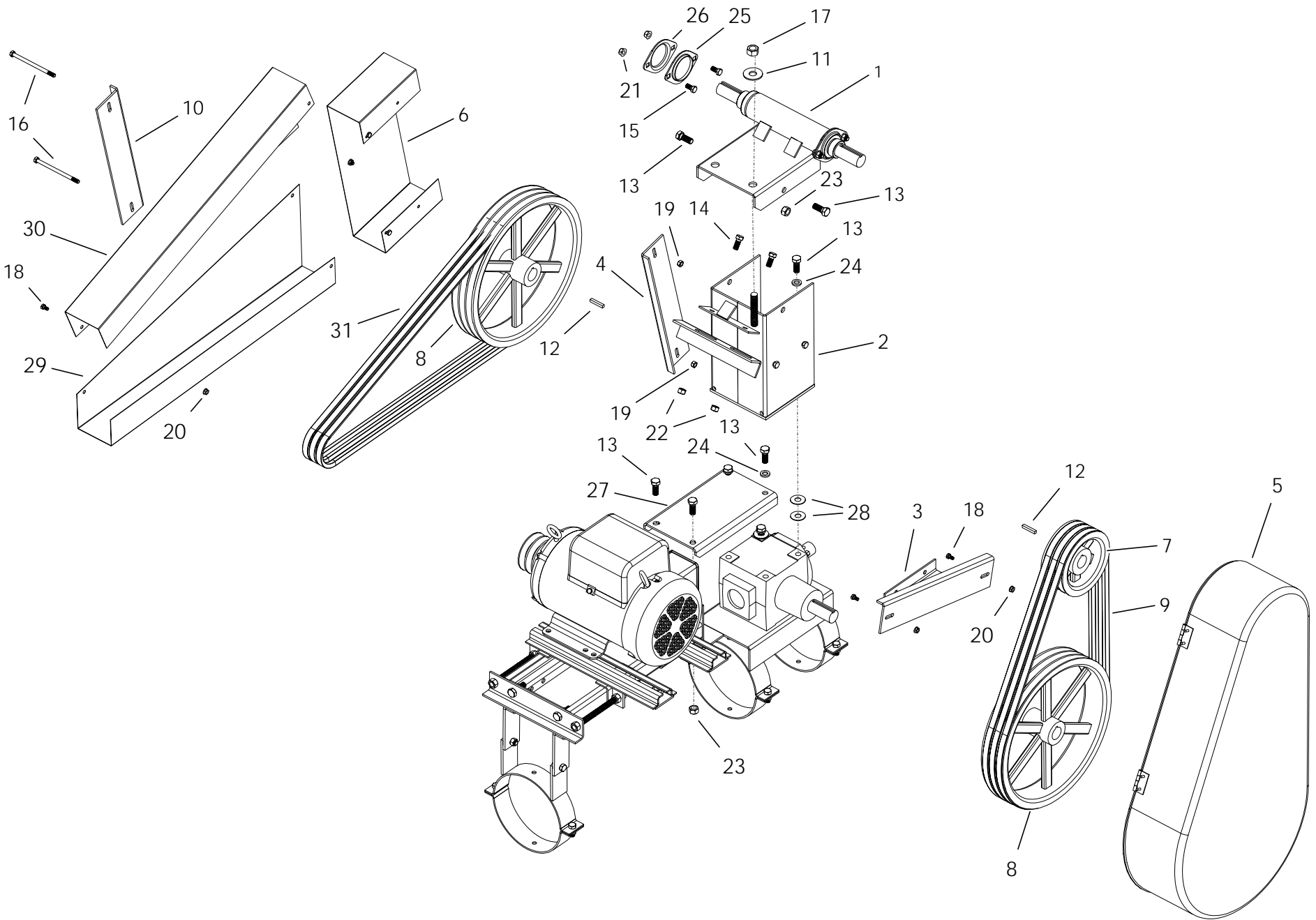


FOR LOW PROFILE HOPPERS, SEE SECTION H

## INCLINED HOPPER: S13-10

ITEM	PART NO.	DESCRIPTION
1	10-17589	10' Tube section
1C	10-17541	10' Tube bundle, as shipped
2	10-18590	Hopper
2A	10-18949	Hopper assembly, as shipped
3	10-17590	Tube flighting, 10' tube
4	10-18591	Hopper flighting
5	10-18936	Rubber extension
6	10-18054	Attach strap, 13"
7	10-18878	Attach strap, 4-1/2"
8	10-17522	Wheel
9	10-18874	Access plate
10	10-18860	Angle drive
11	10-18853	1-1/4" Bearing, less flanges
12	10-18695	1-1/4" Flangette
13	10-18518	Bearing assembly
13A	10-17527	Bearing insert only
14	10-18942	Housing
15	10-19222	Grease fitting
16	10-18943	Gear
17	10-18944	Bushing
18	10-18945	Retaining ring
19	10-18946	Seal
20	10-19537	Bolt, 1/4" - 20 x 1/2", grade 5
21	10-19538	Bolt, 5/16" - 18 x 3/4", grade 2
22	10-19540	Bolt, 3/8" - 16 x 3/4", grade 2
23	10-18955	Bolt, 3/8" - 16 x 1", grade 2
24	10-18698	Bolt, 7/16"-14 x 1"/1-1/4", grade 5
25	10-19977	Bolt, 5/8" - 11 x 1-3/4", grade 5
26	10-19594	Washer locknut, 1/4" - 20
27	10-19595	Washer locknut, 5/16" - 18
28	10-19596	Washer locknut, 3/8" - 16
29	10-18956	Locknut, 3/8" - 16
30	10-19598	Locknut, 7/16" - 14
31	10-19600	Locknut, 5/8" - 11
32	10-19271	Cotter pin, 1/8" x 1-1/2"
33	10-18948	Rim washer
34	10-19224	Woodruff key, 1/4" x 1"
35	10-18055	Connector plate
36	10-17469	handle

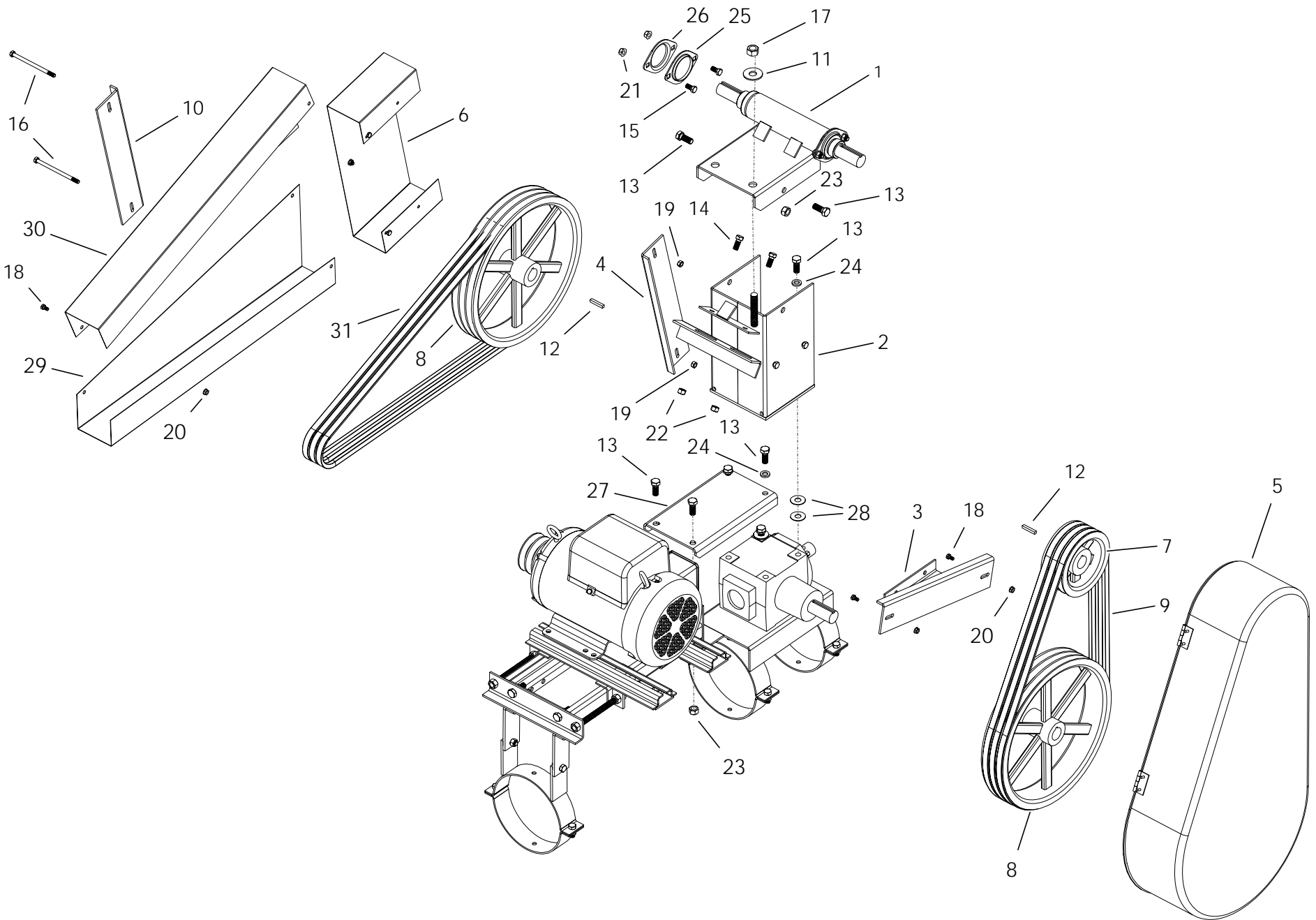
**A202 EMD SPEED REDUCER: W & W80-56-71**



## A202 EMD SPEED REDUCER: W & W80-56-71

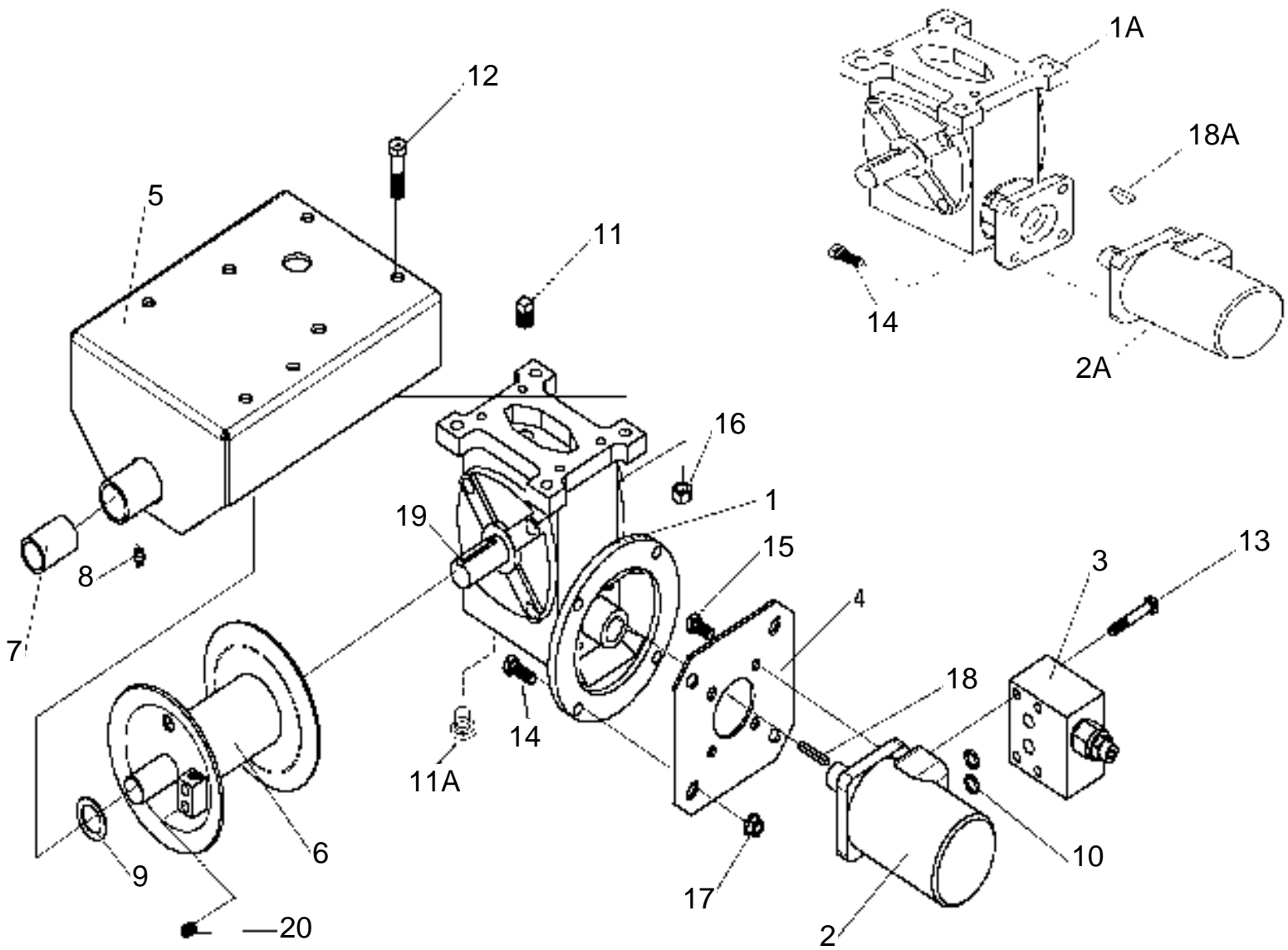
ITEM	PART NO.	DESCRIPTION
1	10-17620	Jackshaft mount assembly
2	10-17617	Tower
3	10-17619	Pulley shield attach bracket
4	10-22297	Shield bracket, A202
5	10-28053	Triple pulley guard assembly
6	10-19930	Pulley shield extension
7	10-17622	Triple groove 6-1/2" pulley, 1-1/4" bore
8	10-19933	Triple groove 15" pulley, 1-1/4" bore
9	10-19935	Belt, B67 (3 in EMD carton)
10	10-19932	Shield attach angle
11	10-19966	Flat washer, 5/8"
12	10-19606	Sq. key, 1/4" x 1-1/2"
13	10-19588	Bolt, 1/2" - 13 x 1-1/4", grade 5
14	10-19542	Bolt, 7/16" - 14 x 1", grade 5 (in EMD carton)
15	10-19540	Bolt, 3/8" - 16 x 3/4", grade 5
16	10-17994	BOLT, 5/16" X 6" GR5
17	10-19600	Locknut, 5/8" - 11
18	10-19537	Bolt, 1/4" - 20 x 1/2", grade 2
19	10-19980	Locknut, 5/16" - 18
20	10-19594	Washer-locknut, 1/4" - 20
21	10-19596	Washer-locknut, 3/8" - 16
22	10-19598	Locknut, 7/16" - 14 (in EMD carton)
23	10-19599	Locknut, 1/2" - 13
24	10-19605	Lockwasher, 1/2"
25	10-18853	1-1/4" Bearing less flanges
26	10-18695	Bearing flange
27	10-22189	EXTENSION PLATE, A202
28	10-17401	FLAT WASHER, 1/2" PLTD
29	10-22298	LH PULLEY GUARD, A202
30	10-22299	RH PULLEY GUARD, A202
31	10-29141	BELT, B82

# A202 EMD SPEED REDUCER: W & WR100



## A202 EMD SPEED REDUCER: W & WR100

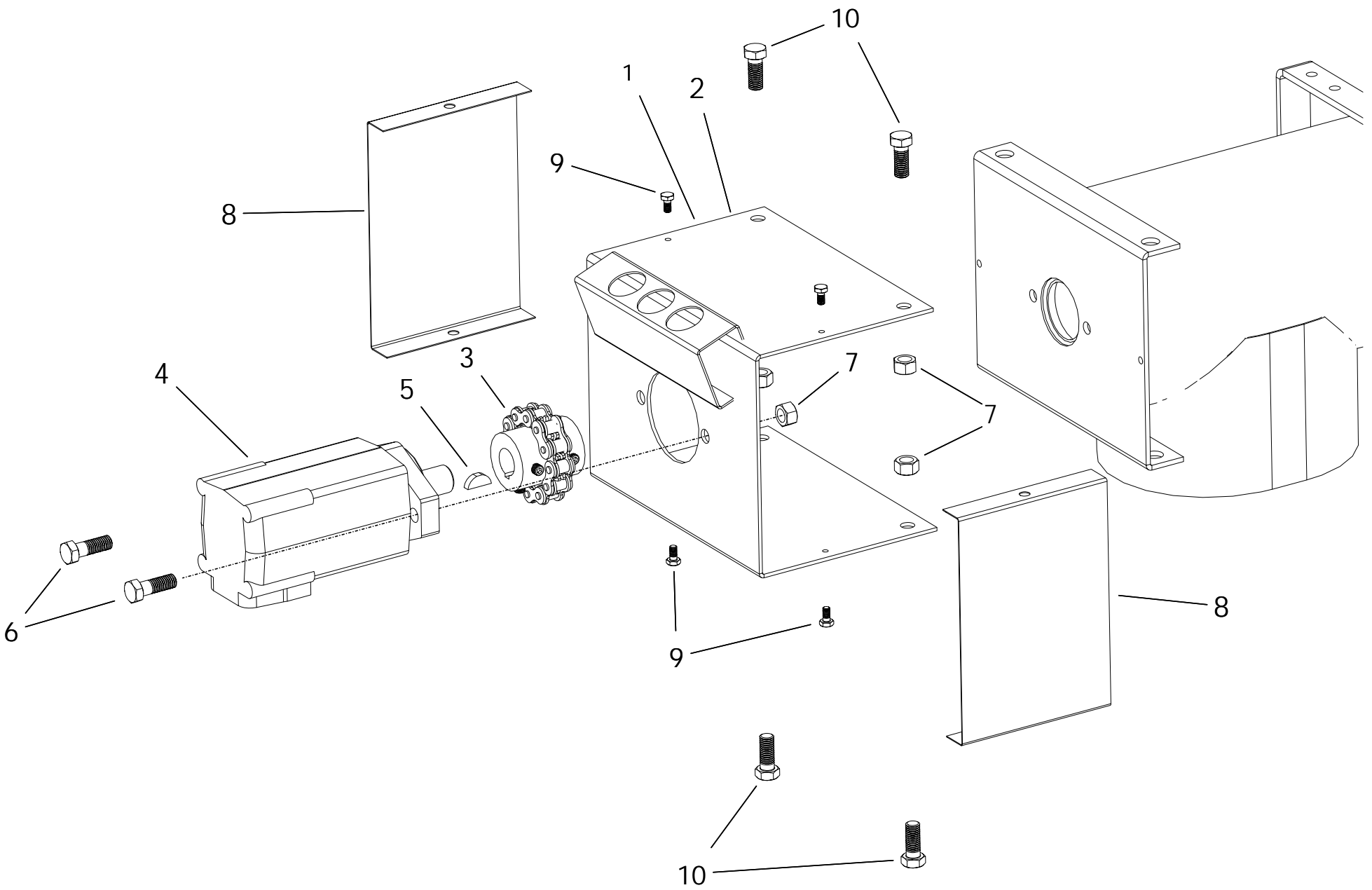
ITEM	PART NO.	DESCRIPTION
1	10-17620	Jackshaft mount assembly
2	10-17617	Tower
3	10-17619	Pulley shield attach bracket
4	10-22297	Shield bracket, A202
5	10-28053	Triple pulley guard assembly
6	10-19930	Pulley shield extension
7	10-17622	Triple groove 6-1/2" pulley, 1-1/4" bore
8	10-19933	Triple groove 15" pulley, 1-1/4" bore
9	10-19935	Belt, B67 (3 in EMD carton)
10	10-19932	Shield attach angle
11	10-19966	Flat washer, 5/8"
12	10-19606	Sq. key, 1/4" x 1-1/2"
13	10-19588	Bolt, 1/2" - 13 x 1-1/4", grade 5
14	10-19542	Bolt, 7/16" - 14 x 1", grade 5 (in EMD carton)
15	10-19540	Bolt, 3/8" - 16 x 3/4", grade 5
16	10-17994	BOLT, 5/16" X 6" GR5
17	10-19600	Locknut, 5/8" - 11
18	10-19537	Bolt, 1/4" - 20 x 1/2", grade 2
19	10-19980	Locknut, 5/16" - 18
20	10-19594	Washer-locknut, 1/4" - 20
21	10-19596	Washer-locknut, 3/8" - 16
22	10-19598	Locknut, 7/16" - 14 (in EMD carton)
23	10-19599	Locknut, 1/2" - 13
24	10-19605	Lockwasher, 1/2"
25	10-18853	1-1/4" Bearing less flanges
26	10-18695	Bearing flange
27	10-22189	EXTENSION PLATE, A202
28	10-17401	FLAT WASHER, 1/2" PLTD
29	10-22298	LH PULLEY GUARD, A202
30	10-22299	RH PULLEY GUARD, A202
31	10-29141	BELT, B82



## A197, HYDRAULIC WINCH

ITEM	PART NO.	DESCRIPTION
1A	10-17625	Gearbox w/ integral motor mount
2A	10-17626	Hydraulic motor 2.8 cu.in. w/1" shaft
3	10-17627	Hydraulic motor bypass valve
4	10-18349	Motor mount plate
5	10-17628	Winch frame
6	10-17629	Drum assembly
7	10-19149	Bushing, 1" ID x 1-1/4" OD Oilite
8	10-19222	Grease nipple, 5/16" press in
9	10-18097	Spacer, 1" ID x 18 ga.
10	10-18154	O - ring # 112
11	10-17638	Pipe plug, 3/8" NPT
11A	10-21496	Steel Pipe Plug, M16 x 1.5
12	10-19981	Bolt, 7/16" - 14 x 1-3/4", grade 5
13	10-17631	Bolt, 5/16" - 18 x 2-1/2", grade 2
14	10-19955	Bolt, 3/8" - 16 x 1", grade 2
15	10-19540	Bolt, 3/8" - 16 x 3/4", grade 2
16	10-19598	Locknut, 7/16" - 14
17	10-19596	Washer-locknut, 3/8" - 16
18	10-17630	Square key, 3/16" x 1-3/8"
18A	10-19224	Woodruff key 1/4" x 1"
19	10-19606	Square key, 1/4" x 1-1/2"
20	10-19225	Set-screw, 3/8" - 16 x 3/8"
21	10-17072	Seal Kit for 17626 hyd. motor (not shown)
22	1100625	3/8" MNPT x 1/2" fnpsm street elbow
23	10-19975	3/8" x 1-1/4" bolt
24	10-17402	locknut, 3/8" - 16
25	10-17392	flat washer, 3/8"

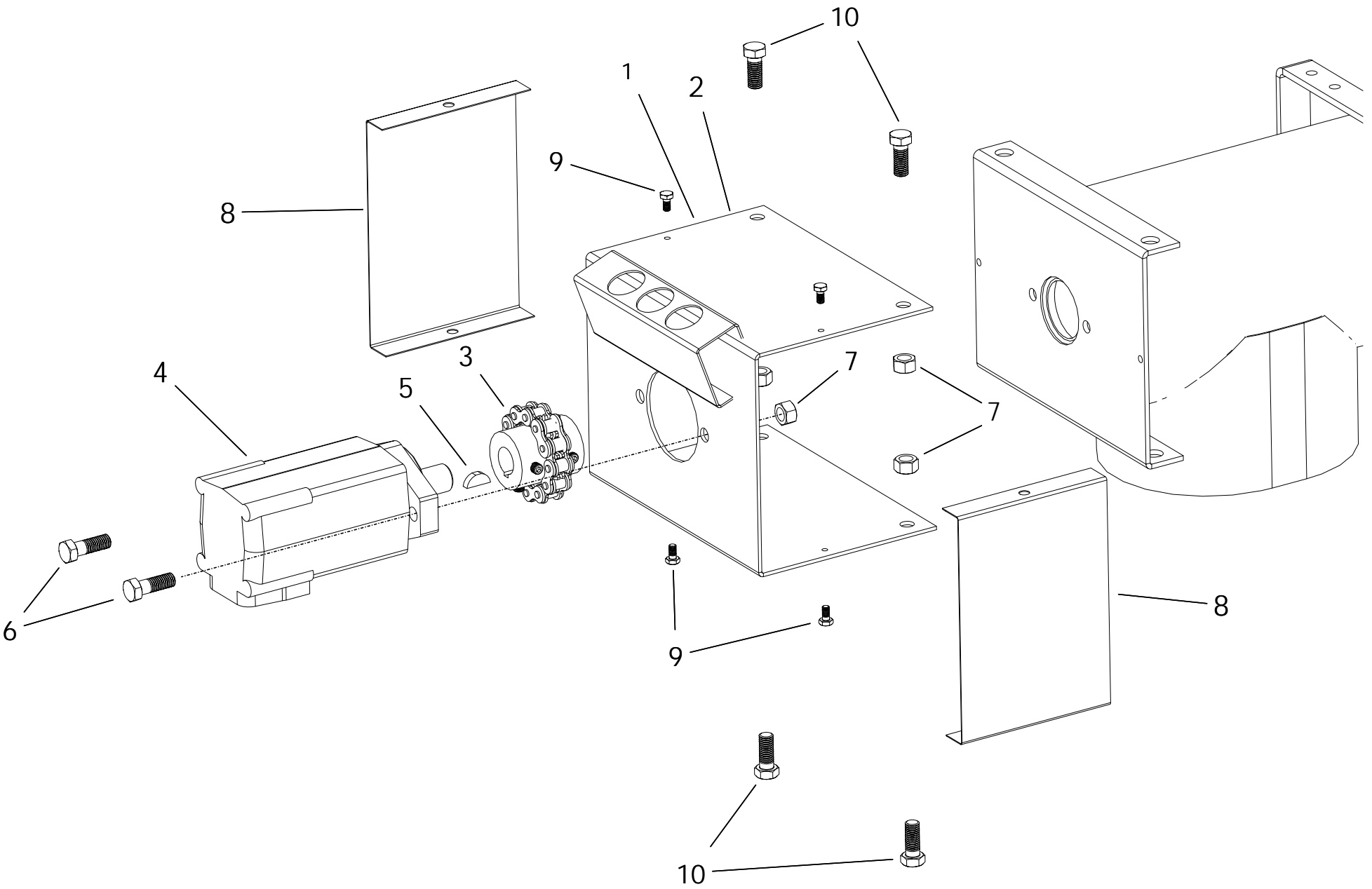
HYDRAULIC DRIVE KIT, H08-2



## HYDRAULIC DRIVE KIT, H08-2

ITEM	PART NO.	DESCRIPTION
1	10-17470	H08-2 HYD MOTOR MOUNT ASSM
2	10-18062	HYD MOTOR MOUNT
3	10-18068	FLEX COUPLER
4	10-18066	HYDRAULIC MOTOR
5	10-19224	1/4" X 1" WOODRUFF KEY
6	10-19589	1/2" X 1-1/2" NC BOLT GR 8 PLTD
7	10-19599	1/2" NC NYLON LOCKNUT GR 2 PLTD
8	10-18060	HYD MOTOR SIDE SHIELD
9	10-19537	1/4" X 1/2" BOLT WSHR HEAD
10	10-19588	1/2" X 1-1/4" NC BOLT GR 5 PLTD

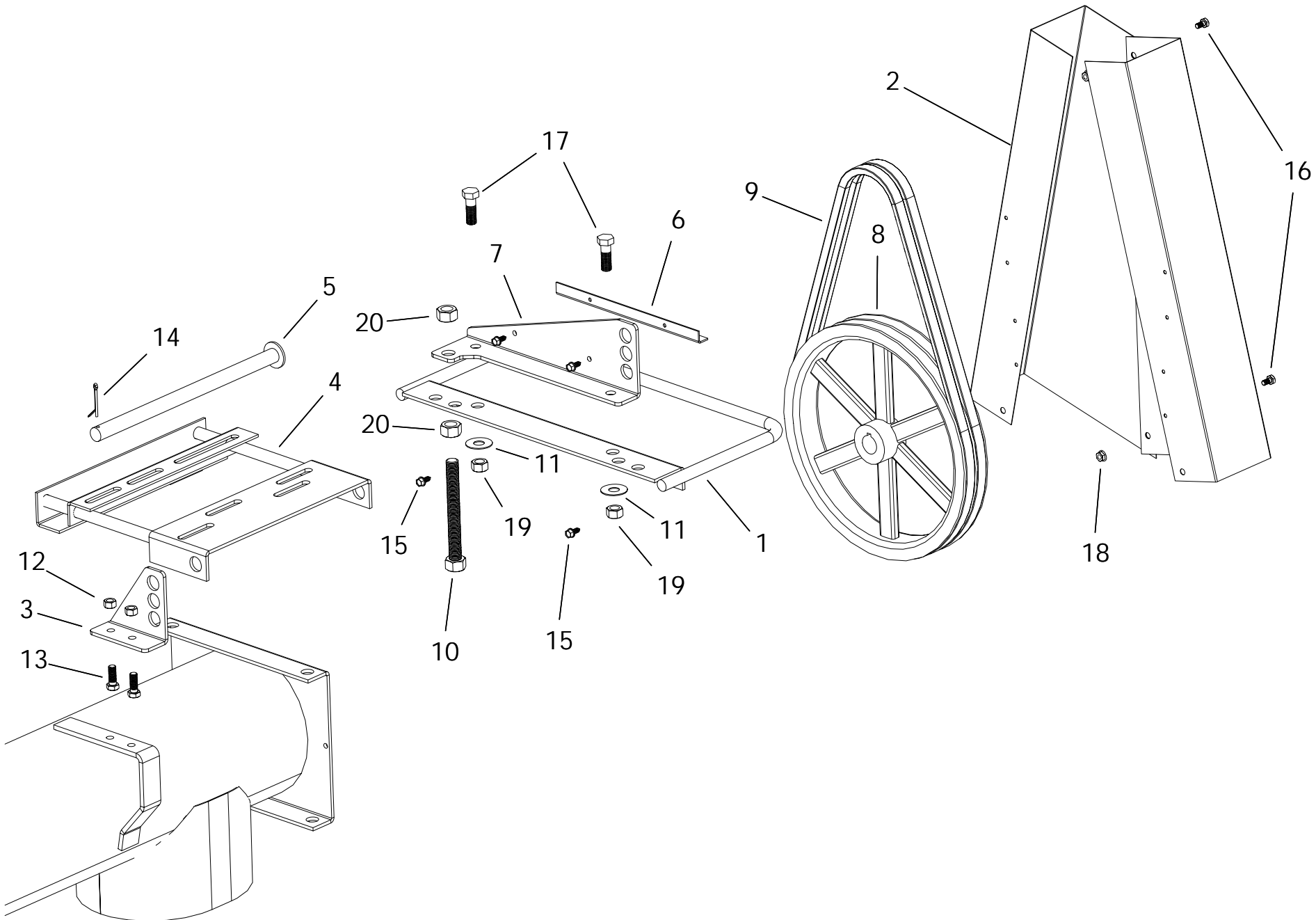
HYDRAULIC DRIVE KIT, H10-2



## HYDRAULIC DRIVE KIT, H10-2

ITEM	PART NO.	DESCRIPTION
1	10-17471	H10-2 HYD MOTOR MOUNT ASSM
2	10-18063	HYD MOTOR MOUNT
3	10-19556	FLEX COUPLER, 1-1/4" KEY X 1" KEY
4	10-18066	HYDRAULIC MOTOR
5	10-19224	1/4" X 1" WOODRUFF KEY
6	10-19589	1/2" X 1-1/2" NC BOLT GR 8 PLTD
7	10-19599	1/2" NC NYLON LOCKNUT GR 2 PLTD
8	10-18061	HYD MOTOR SIDE SHIELD
9	10-19537	1/4" X 1/2" HEX WASHR HEAD GR 5 PLTD
10	10-19588	1/2" X 1-1/4" NC BOLT GR 5 PLTD

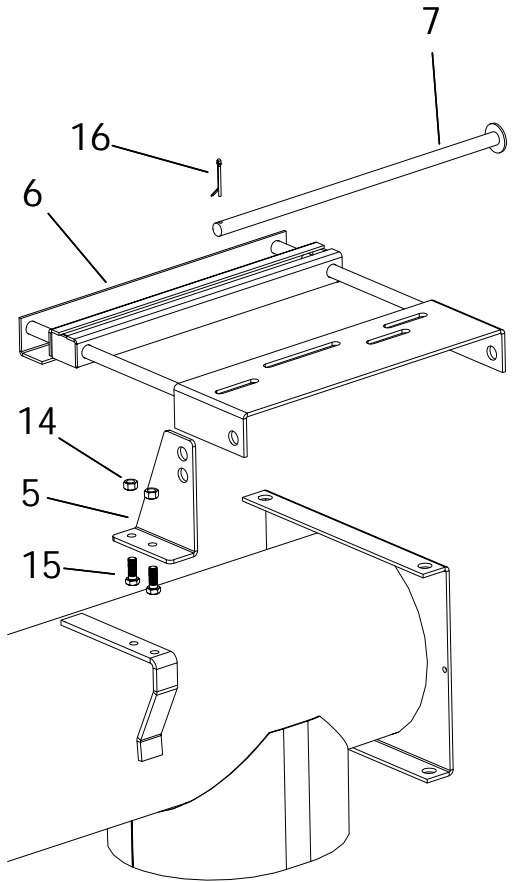
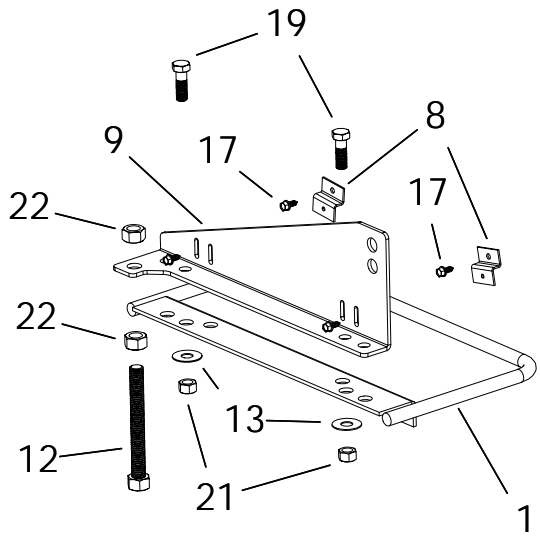
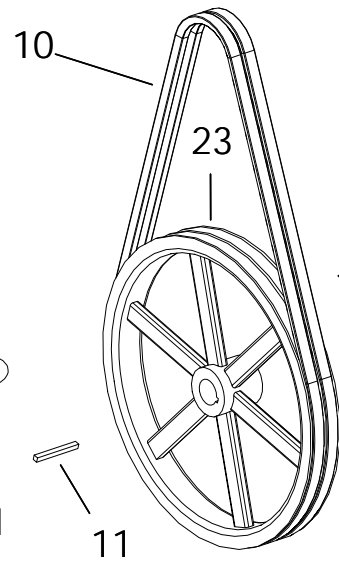
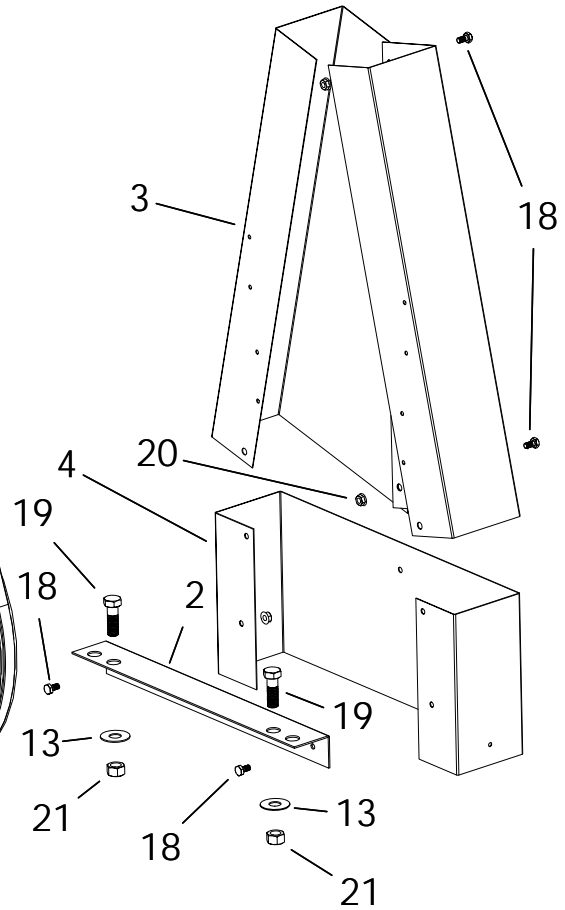
**ELECTRIC DRIVE KIT, H08-3**



## ELECTRIC DRIVE KIT, H08-3

ITEM	PART NO.	DESCRIPTION
1	10-17469	H08/10/13-3 HANDLE
2	10-19845	SHIELD, PULLEY
3	10-27461	REAR MOUNT PLATE
4	10-27462	MOTOR MOUNT
5	10-27463	HINGE ROD
6	10-27464	SHIELD STRAP
7	10-28426	FRONT MOUNT PLATE
8	10-19613	12.7" X 1" DOUBLE B GROOVE PULLEY
9	10-19844	B51 BELT
10	10-27249	ADJUST BOLT
11	10-17401	1/2" FLAT WASHER PLTD
12	10-17402	3/8" NC NYLON LOCKNUT PLTD
13	10-18955	3/8" X 1" NC BOLT GR 5 PLTD
14	10-19271	1/8" X 1-1/2" COTTER PIN PLAIN
15	10-19274	#14 X 5/8" SMS AB GR 5 PLTD
16	10-19537	1/4" X 1/2" HEX WSHR HEAD GR 5 PLTD
17	10-19589	1/2" X 1-1/2" NC BOLT GR 8 PLTD
18	10-19594	1/4" NC SERRATED FLANGE NUT PLTD
19	10-19599	1/2" NC NYLON LOCKNUT GR 2 PLTD
20	10-19864	5/8" NC HEX NUT PLTD

# ELECTRIC DRIVE KIT, H10-3



## ELECTRIC DRIVE KIT, H10-3

ITEM	PART NO.	DESCRIPTION
1	10-17469	H08/10/13-3 HANDLE
2	10-18245	LOWER SHIELD MOUNT
3	10-19845	SHIELD, PULLEY
4	10-19930	PULLEY SHIELD EXTENSION
5	10-27466	REAR MOUNT PLATE
6	10-27467	MOTOR MOUNT
7	10-27468	HINGE ROD
8	10-27469	SHIELD SPACER
9	10-28336	FRONT MOUNT PLATE
10	10-19934	B62 BELT
11	10-17854	1/4" X 2-1/2" SQUARE KEY
12	10-27249	ADJUST BOLT
13	10-17401	1/2" FLAT WASHER PLTD
14	10-17402	3/8" NC NYLON LOCKNUT PLTD
15	10-18955	3/8" X 1" NC BOLT GR 5 PLTD
16	10-19271	1/8" X 1-1/2" COTTER PIN PLAIN
17	10-19274	#14 X 5/8" SMS AB GR 5 PLTD
18	10-19537	1/4" X 1/2" HEX WSHR HEAD GR 5 PLTD
19	10-19589	1/2" X 1-1/2" NC BOLT GR 8 PLTD
20	10-19594	1/4" NC SERRATED FLANGE NUT PLTD
21	10-19599	1/2" NC NYLON LOCKNUT GR 2 PLTD
22	10-19864	5/8" NC HEX NUT PLTD
23	10-19950	15" X 1-1/4" DOUBLE B GROOVE PULLEY



## ELECTRIC DRIVE KIT, H13-3

ITEM	PART NO.	DESCRIPTION
1	10-17469	H08/10/13-3 HANDLE
2	10-18245	LOWER SHIELD MOUNT
3	10-17485	RIGHT PULLEY SHIELD
3A	10-17486	LEFT PULLEY SHIELD
4	10-17487	PULLEY SHIELD EXTENSION
5	10-27466	REAR MOUNT PLATE
6	10-27467	MOTOR MOUNT
7	10-27468	HINGE ROD
8	10-27469	SHIELD SPACER
9	10-28336	FRONT MOUNT PLATE
10	10-19335	B67 BELT
11	10-18541	3/8" X 3-3/8" SQUARE KEY
12	10-27249	ADJUST BOLT
13	10-17401	1/2" FLAT WASHER PLTD
14	10-17402	3/8" NC NYLON LOCKNUT PLTD
15	10-18955	3/8" X 1" NC BOLT GR 5 PLTD
16	10-19271	1/8" X 1-1/2" COTTER PIN PLAIN
17	10-19274	#14 X 5/8" SMS AB GR 5 PLTD
18	10-19537	1/4" X 1/2" HEX WSHR HEAD GR 5 PLTD
19	10-19589	1/2" X 1-1/2" NC BOLT GR 8 PLTD
20	10-19594	1/4" NC SERRATED FLANGE NUT PLTD
21	10-19599	1/2" NC NYLON LOCKNUT GR 2 PLTD
22	10-19864	5/8" NC HEX NUT PLTD
23	10-17396	16" X 1-3/4" TRIPLE B GROOVE PULLEY



P.O. Box 39

Rosenort, Manitoba, R0G 1W0 Canada

Phone: (866) 467-7207 (Canada & USA) or (204) 746-2396

Fax: (866) 768-4852

website: [www.grinaugers.com](http://www.grinaugers.com)

email: [sales@grinaugers.com](mailto:sales@grinaugers.com)

© Ag Growth International Inc. 2018

Printed in Canada