

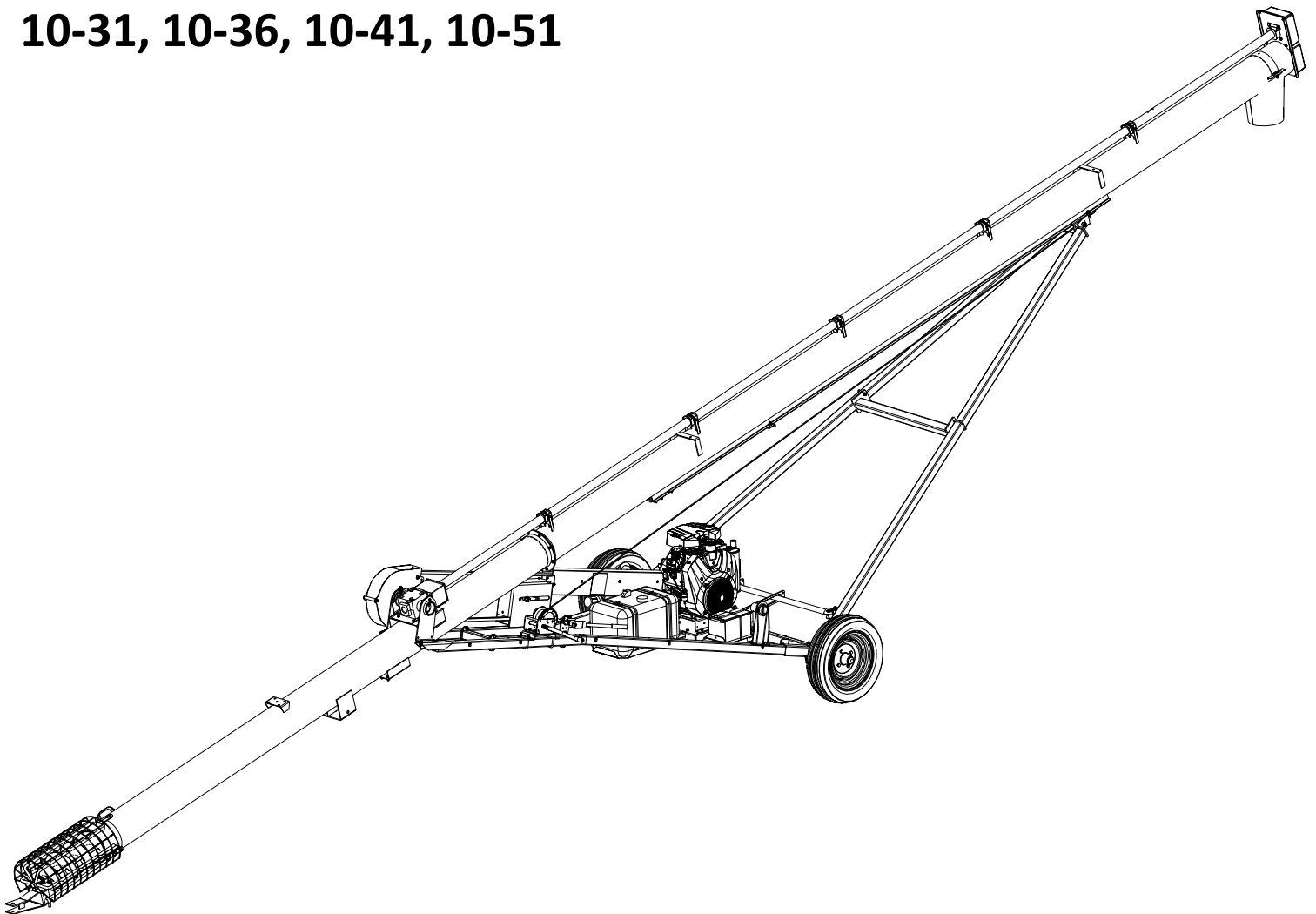
WESTFIELD

STX2 Series

**Portable Grain Auger
Parts Manual**

8-31, 8-36, 8-41, 8-46, 8-51

10-31, 10-36, 10-41, 10-51



Revised: 10/08/2018



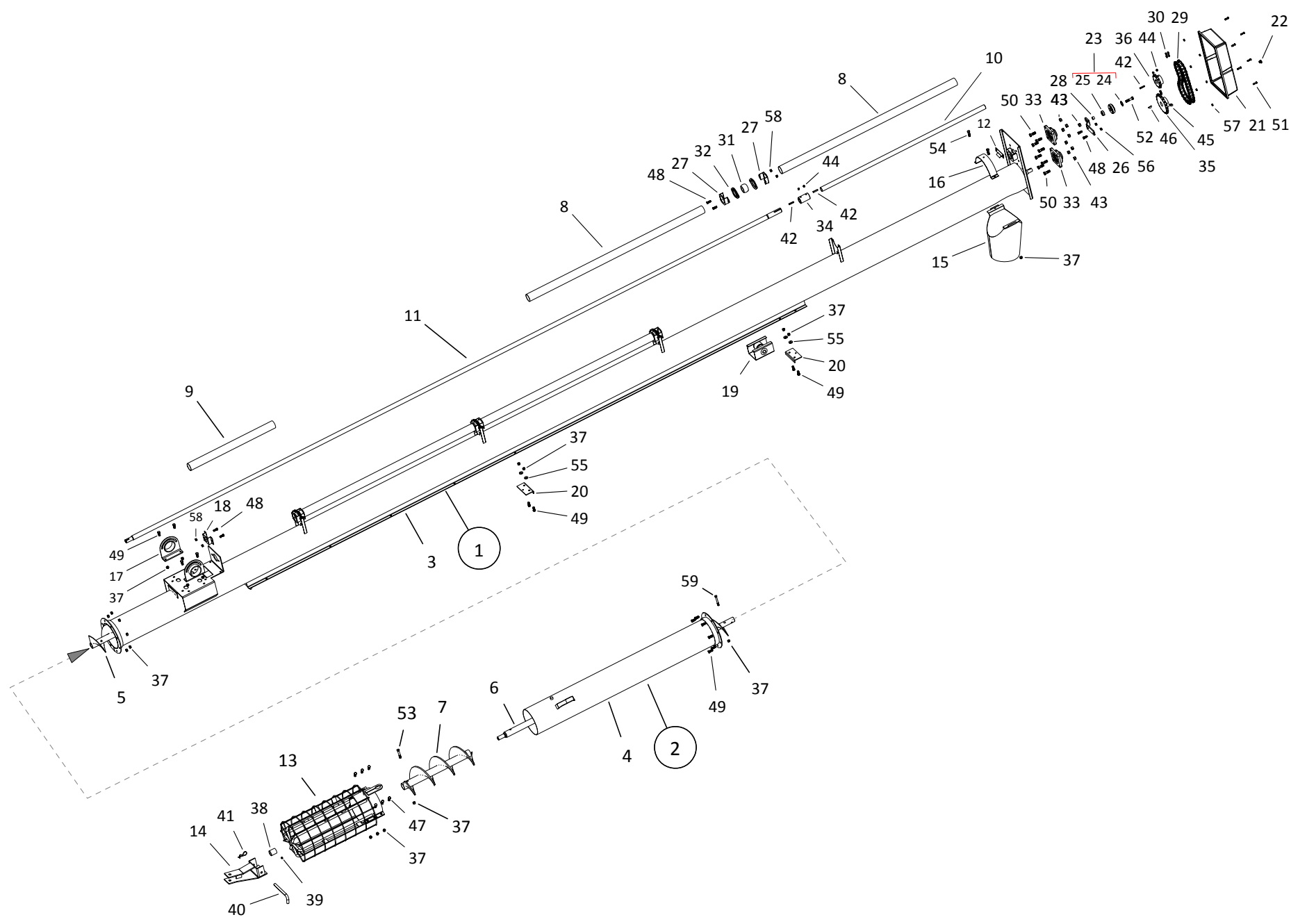
TABLE OF CONTENTS

DESCRIPTION	PAGE
TUBE COMPONENTS, 8" x 31 ft	4
TUBE COMPONENTS, 8" x 36 ft	8
TUBE COMPONENTS, 8" x 41 ft	12
TUBE COMPONENTS, 8" x 46 ft	16
TUBE COMPONENTS, 8" x 51 ft	20
TUBE COMPONENTS, 10" x 31 ft	24
TUBE COMPONENTS, 10" x 36 ft	28
TUBE COMPONENTS, 10" x 41 ft	32
TUBE COMPONENTS, 10" x 51 ft	36
FRAME COMPONENTS, 31 ft	40
FRAME COMPONENTS, 36 ft	42
FRAME COMPONENTS, 41 ft	44
FRAME COMPONENTS, 46 ft	46
FRAME COMPONENTS, 51 ft	48
DRIVE COMPONENTS	50
GAS TANK KIT (A388)	54
ELECTRIC DRIVE KIT (A390)	56
SP KIT FRAME COMPONENTS (31 & 36 ft)	58
SP KIT FRAME COMPONENTS (41, 46 & 51 ft)	60
HD SP KIT FRAME COMPONENTS	62
HD HYDRAULIC STEERING OPTION KIT (A332)	66
SP KIT PARTS	68
HYDRAULIC HOSES, 31 ft (SP KIT)	72
HYDRAULIC HOSES, 36 ft (SP KIT)	74
HYDRAULIC HOSES, 41 ft (SP KIT)	76
HYDRAULIC HOSES, 46 ft (SP KIT)	78
HYDRAULIC HOSES, 51 ft (SP KIT)	80
HYDRAULIC HOSES, 36 ft (HD SP KIT - MANUAL)	82
HYDRAULIC HOSES, 41 ft (HD SP KIT - MANUAL)	84
HYDRAULIC HOSES, 46 ft (HD SP KIT - MANUAL)	86
HYDRAULIC HOSES, 51 ft (HD SP KIT - MANUAL)	88
HYDRAULIC HOSES, 36 ft (HD SP KIT - HYDRAULIC)	90
HYDRAULIC HOSES, 41 ft (HD SP KIT - HYDRAULIC)	92
HYDRAULIC HOSES, 46 ft (HD SP KIT - HYDRAULIC)	94
HYDRAULIC HOSES, 51 ft (HD SP KIT - HYDRAULIC)	96
REVERSIBLE GEARBOX KIT, 31 ft (A393)	98

TABLE OF CONTENTS

DESCRIPTION	PAGE
REVERSIBLE GEARBOX KIT 36, 41, 46, 51 ft (A391)	100
ELECTRIC CLUTCH KIT, DOUBLE (A224 & A225)	102
ELECTRIC CLUTCH KIT, TRIPLE (A261)	104
LIGHT KIT 31, 36, 41 ft (A317)	106
LIGHT KIT, 46-51 ft (A318)	108
INTAKE HOPPER KIT, 8" (A260)	110
INTAKE HOPPER KIT, 10" (A249)	112
VANGUARD COLD WEATHER KIT (23746)	114
GEARBOX (29676)	116
REVERSIBLE GEARBOX (29322)	118
HYDRAULIC WINCH (23515)	120
SP KIT GEAR DRIVE COMPONENTS	122

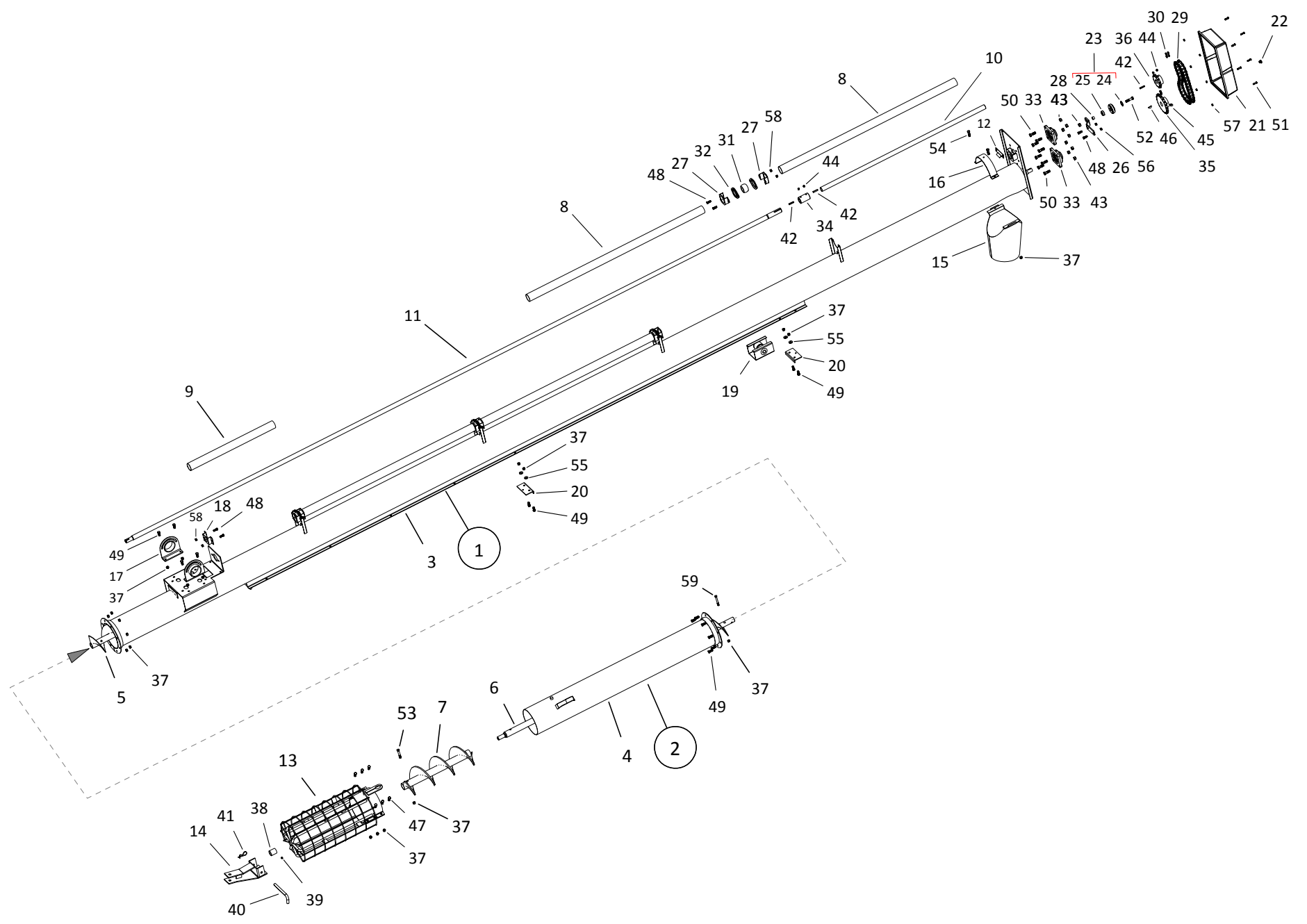
TUBE COMPONENTS, 8" X 31 ft



TUBE COMPONENTS, 8" x 31 ft

ITEM	PART NO.	DESCRIPTION
1	10-23152	UPPER TUBE BUNDLE
2	10-29758	LOWER TUBE BUNDLE
3	10-23154	UPPER TUBE ONLY
4	10-19390	LOWER TUBE ONLY
5	10-19402	UPPER FLIGHT, 8"
6	10-29731	LOWER FLIGHT W/ INTAKE FLIGHT, 8"
7	10-18920	INTAKE FLIGHT, 8"
8	10-23614	UPPER DRIVESHAFT GUARD
9	10-23175	LOWER DRIVESHAFT GUARD
10	10-29736	UPPER SHORT DRIVESHAFT
11	10-23182	LOWER DRIVESHAFT
12	10-23617	SHIELD STOP, UPPER
13	10-29726	INTAKE W/ SHIELD, BUSHING
14	10-17123	CLEVIS
15	10-29306	SPOUT, 8" ROLLED
16	10-19460	HALF CLAMP, 8"
17	10-23669	GEARBOX PIVOT, WIDE
18	10-23268	DRIVESHAFT GUARD HANGER BRACKET, LOWER
19	10-18763	TRACK SHOE
20	10-18762	TRACK STOP
21	10-17160	OIL COVER, 10" HEAD
22	10-17179	OIL BATH PLUG, 3/8
23	10-23178	CHAIN TENSIONER IDLE WHEEL ASSY
24	10-23177	INTERNAL SNAP RING, 1-3/8"
25	10-22821	BEARING
26	10-23179	CHAIN TENSIONER BRACKET
27	10-23250	FLANGE BEARING HANGER BRACKET
28	10-22946	TIGHTENER SPACER
29	10-23185	ROLLER CHAIN W/ CONN (HEAVY), #80-1HR X 31P
30	10-19323	CONNECTOR LINK (HEAVY), #80HR
31	10-18691	WOOD BEARING, 1-1/4
32	10-18695	FLANGE, 2-HOLE, 1-1/4"
33	10-19567	PILLOW BEARING, 1-1/4
34	10-19770	DRIVESHAFT CONNECTOR, 1-1/4"
35	10-23181	SPROCKET, 80B18 X 1"
36	10-23180	SPROCKET, 80B12 X 1-1/4"
37	10-19598	7/16" NC NYLON LOCKNUT GR 2 PLTD
38	10-19149	BUSHING, 1"
39	10-19222	GREASE FTG ZERK 1/4-28 SAE CZ PLTD
40	10-17181	CLEVIS PIN
41	10-17383	3610 GRIP CLIP
42	10-19606	KEY, 1/4" X 1-1/2" SQ
43	10-19599	1/2" NC NYLON LOCKNUT GR 2 PLTD
44	10-19225	SETSCREW, 3/8" UNC X 3/8" REGULAR
45	10-29118	SETSCREW, 3/8" X 3/4" GR8 SQ HEAD
46	10-19224	1/4" X 1" WOODRUFF KEY PLAIN
47	10-18698	7/16" X 1-1/4" NC BOLT GR 8 PLTD
48	10-18955	3/8" X 1" NC BOLT GR 5 PLTD
49	10-19542	7/16" X 1" NC BOLT GR 5 PLTD
50	10-19589	1/2" X 1-1/2" NC BOLT GR 8 PLTD

TUBE COMPONENTS, 8" X 31 ft

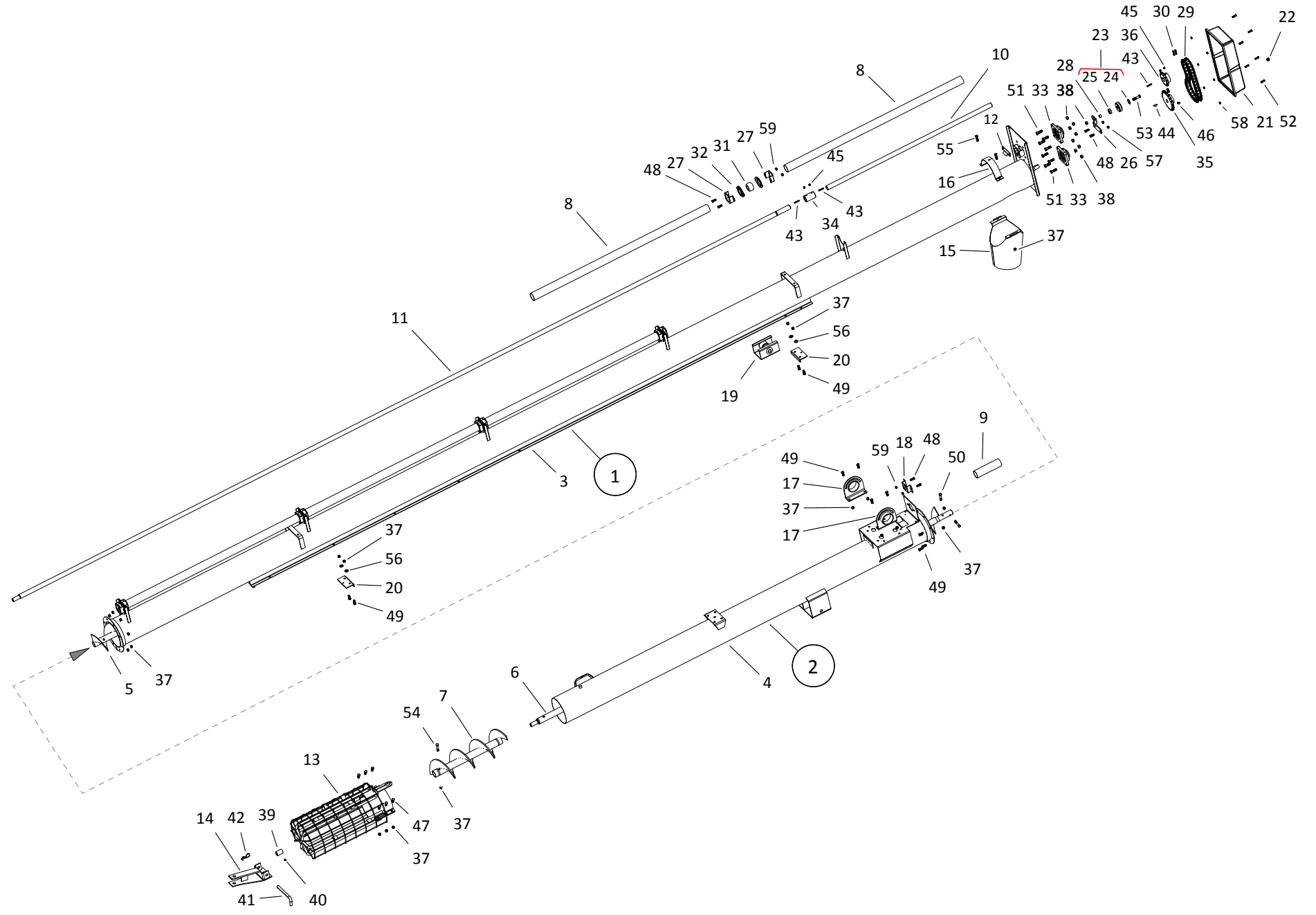


TUBE COMPONENTS, 8" x 31 ft

ITEM	PART NO.	DESCRIPTION
51	10-19988	1/4" X 1" NC BOLT GR 2 PLTD
52	10-27816	1/2" X 2" NC BOLT GR 5 PLTD
53	10-17747	7/16" X 2-1/2" NC BOLT GR 8 PLTD
54	10-28744	7/16" X 1-1/2" NC BOLT GR 5 PLTD
55	10-17182	1"OD X 29/64"ID X 10 GA WASHER PLTD
56	10-17402	3/8" NC NYLON LOCKNUT PLTD
57	10-19594	1/4" NC SERRATED FLANGE NUT PLTD
58	10-19596	3/8" NC SERRATED FLANGE NUT PLTD
59	10-19545	7/16" X 2-1/4" NC BOLT GR 8 PLTD

TUBE COMPONENTS, 8" x 36 ft

8

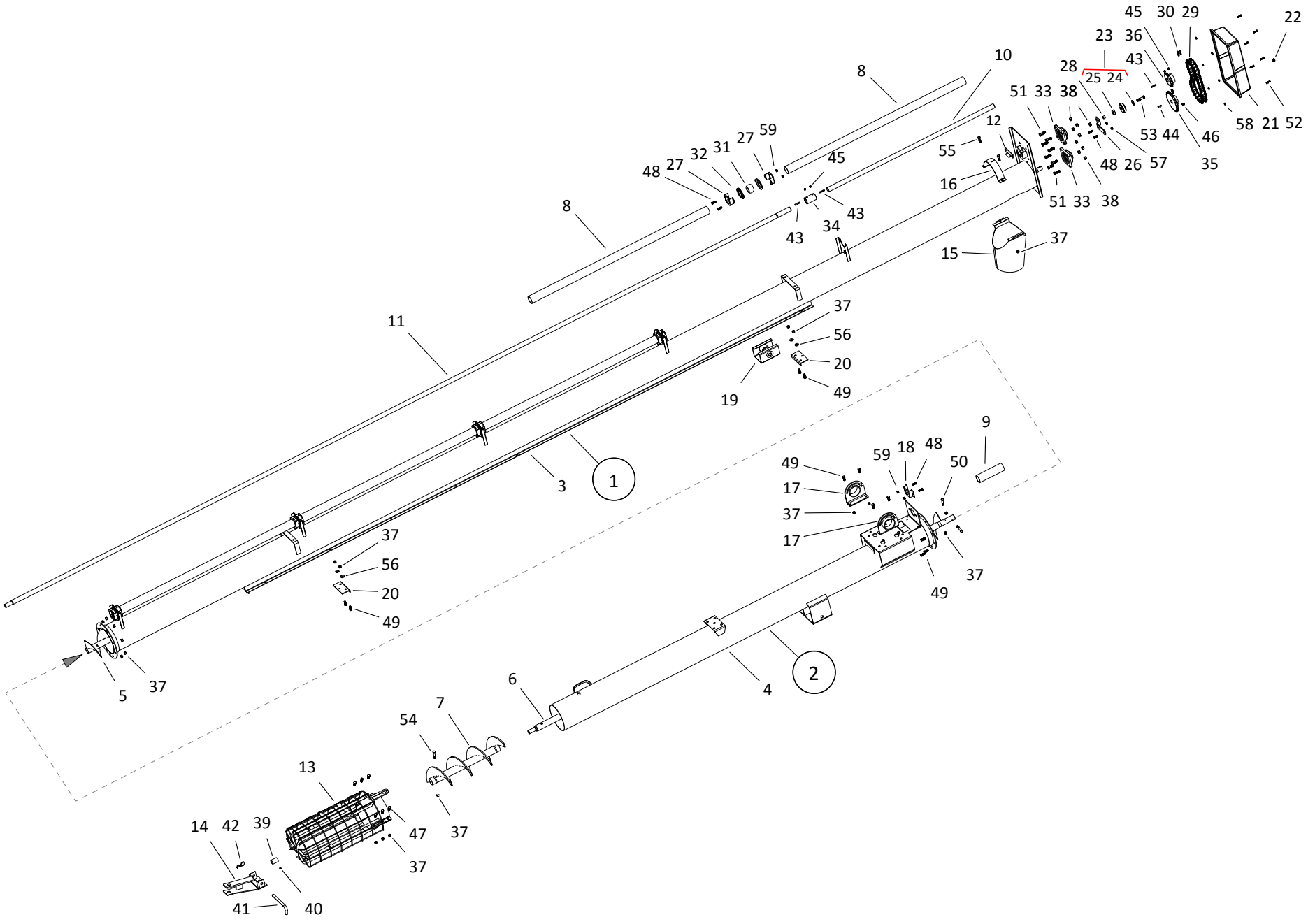


TUBE COMPONENTS, 8" x 36 ft

ITEM	PART NO.	DESCRIPTION
1	10-23153	UPPER TUBE BUNDLE
2	10-23155	LOWER TUBE BUNDLE
3	10-23163	UPPER TUBE ONLY
4	10-23166	LOWER TUBE ONLY
5	10-19402	UPPER FLIGHT, 8"
6	10-29732	LOWER FLIGHT W/ INTAKE FLIGHT, 8"
7	10-18920	INTAKE FLIGHT, 8"
8	10-23614	UPPER DRIVESHAFT GUARD
9	10-23246	LOWER DRIVESHAFT GUARD
10	10-29736	UPPER SHORT DRIVESHAFT
11	10-23184	MIDDLE DRIVESHAFT
12	10-23617	SHIELD STOP, UPPER
13	10-29726	INTAKE W/ SHIELD, BUSHING
14	10-17123	CLEVIS
15	10-29306	SPOUT, 8" ROLLED
16	10-19460	HALF CLAMP, 8"
17	10-23669	GEARBOX PIVOT, WIDE
18	10-23268	DRIVESHAFT GUARD HANGER BRACKET, LOWER
19	10-18763	TRACK SHOE
20	10-18762	TRACK STOP
21	10-17160	OIL COVER, 10" HEAD
22	10-17179	OIL BATH PLUG, 3/8
23	10-23178	CHAIN TENSIONER IDLE WHEEL ASSY
24	10-23177	INTERNAL SNAP RING, 1-3/8"
25	10-22821	BEARING
26	10-23179	CHAIN TENSIONER BRACKET
27	10-23250	FLANGE BEARING HANGER BRACKET
28	10-22946	TIGHTENER SPACER
29	10-23185	ROLLER CHAIN W/ CONN (HEAVY), #80-1HR X 31P
30	10-19323	CONNECTOR LINK (HEAVY), #80HR
31	10-18691	WOOD BEARING, 1-1/4
32	10-18695	FLANGE, 2-HOLE, 1-1/4"
33	10-19567	PILLOW BEARING, 1-1/4
34	10-19770	DRIVESHAFT CONNECTOR, 1-1/4"
35	10-23181	SPROCKET, 80B18 X 1"
36	10-23180	SPROCKET, 80B12 X 1-1/4"
37	10-19598	7/16" NC NYLON LOCKNUT GR 2 PLTD
38	10-19599	1/2" NC NYLON LOCKNUT GR 2 PLTD
39	10-19149	BUSHING, 1"
40	10-19222	GREASE FTG ZERK 1/4-28 SAE CZ PLTD
41	10-17181	CLEVIS PIN
42	10-17383	3610 GRIP CLIP
43	10-19606	KEY, 1/4" X 1-1/2" SQ
44	10-19224	1/4" X 1" WOODRUFF KEY PLAIN
45	10-19225	SETSCREW, 3/8" UNC X 3/8" REGULAR
46	10-29118	SETSCREW, 3/8" X 3/4" GR8 SQ HEAD
47	10-18698	7/16" X 1-1/4" NC BOLT GR 8 PLTD
48	10-18955	3/8" X 1" NC BOLT GR 5 PLTD
49	10-19542	7/16" X 1" NC BOLT GR 5 PLTD
50	10-19545	7/16" X 2-1/4" NC BOLT GR 8 PLTD

TUBE COMPONENTS, 8" x 36 ft

10

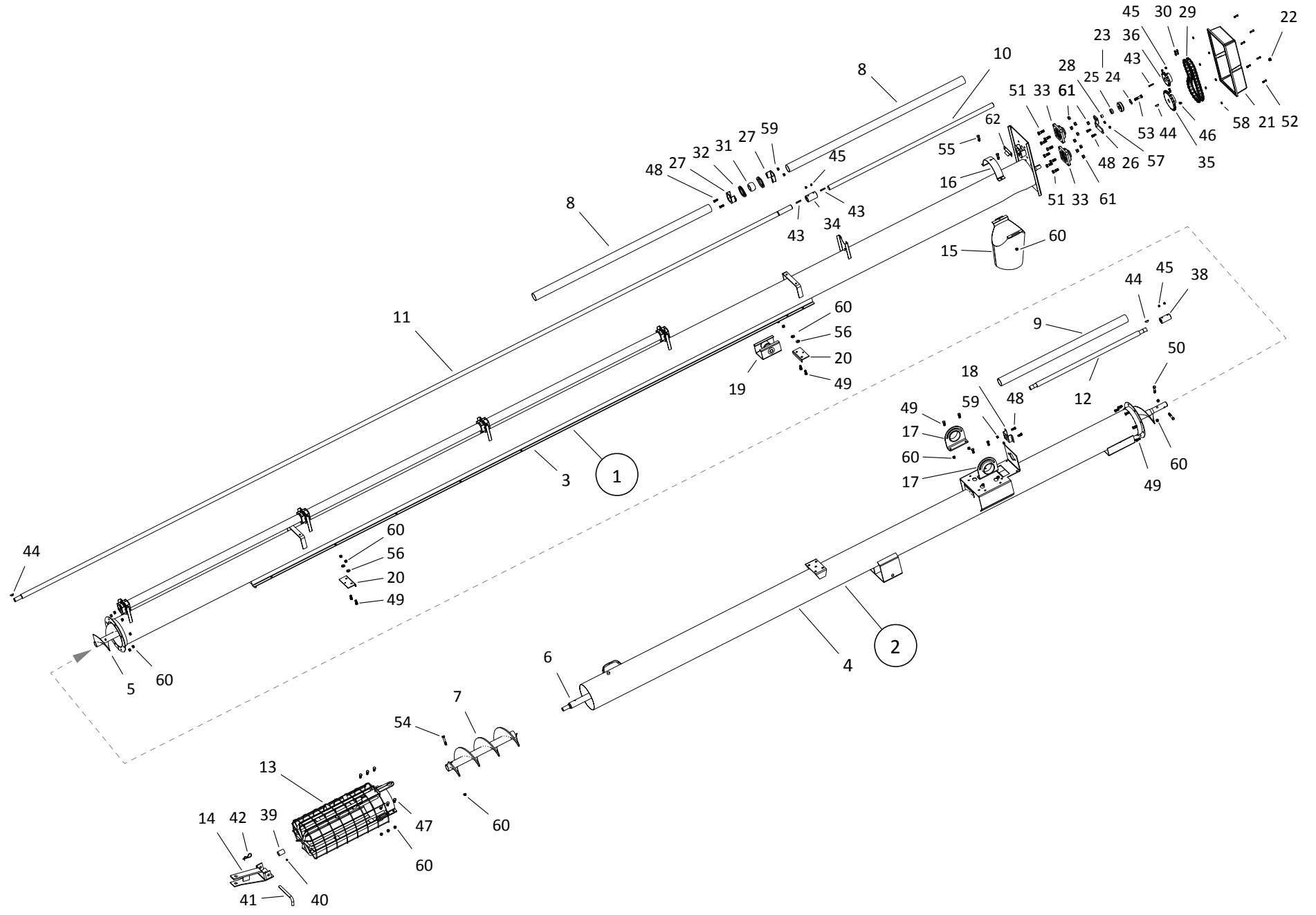


TUBE COMPONENTS, 8" x 36 ft

ITEM	PART NO.	DESCRIPTION
51	10-19589	1/2" X 1-1/2" NC BOLT GR 8 PLTD
52	10-19988	1/4" X 1" NC BOLT GR 2 PLTD
53	10-27816	1/2" X 2" NC BOLT GR 5 PLTD
54	10-17747	7/16" X 2-1/2" NC BOLT GR 8 PLTD
55	10-28744	7/16" X 1-1/2" NC BOLT GR 5 PLTD
56	10-17182	1"OD X 29/64"ID X 10 GA WASHER PLTD
57	10-17402	3/8" NC NYLON LOCKNUT PLTD
58	10-19594	1/4" NC SERRATED FLANGE NUT PLTD
59	10-19596	3/8" NC SERRATED FLANGE NUT PLTD

TUBE COMPONENTS, 8" X 41 ft

12

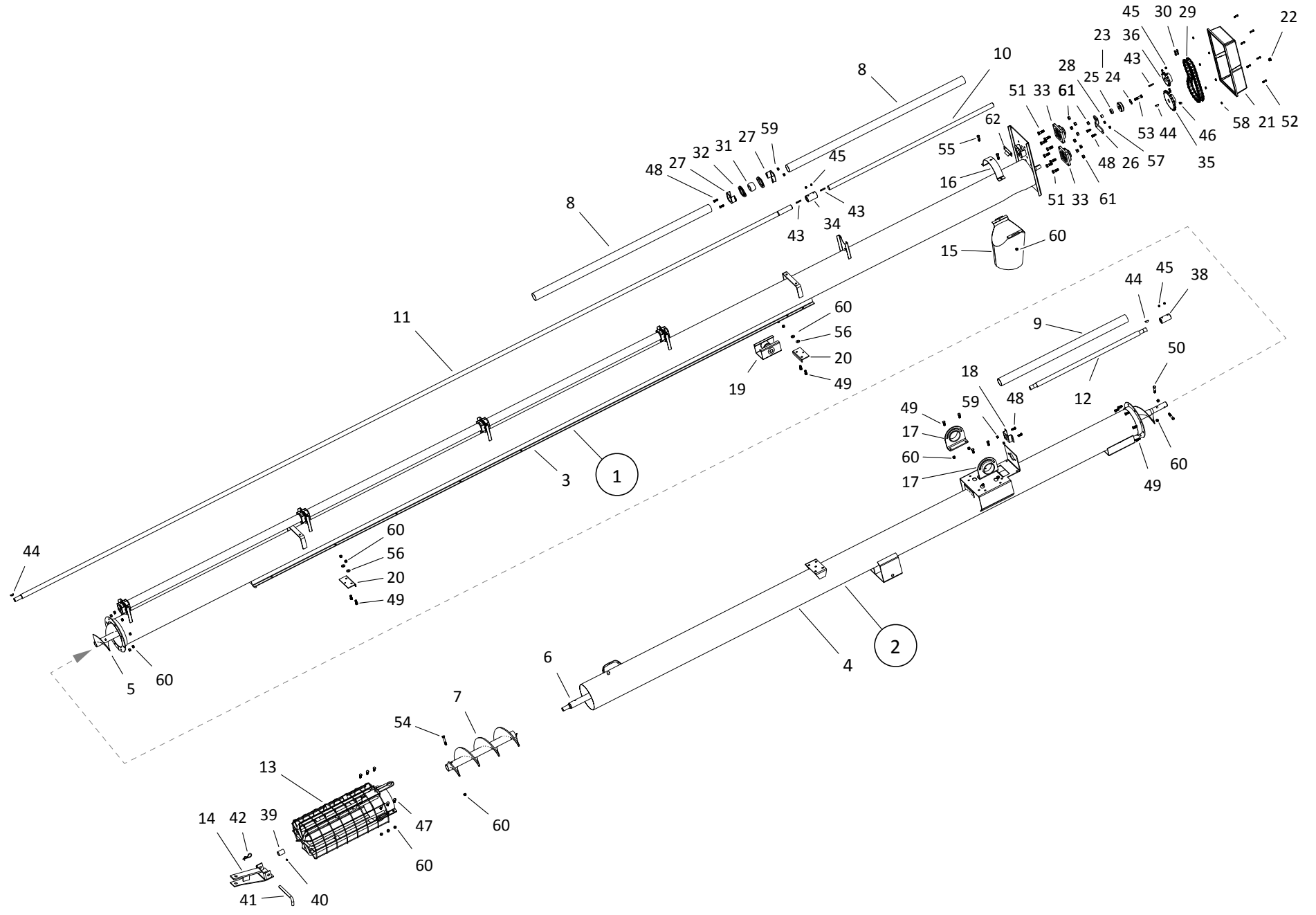


TUBE COMPONENTS, 8" x 41 ft

ITEM	PART NO.	DESCRIPTION
1	10-23153	UPPER TUBE BUNDLE
2	10-23156	LOWER TUBE BUNDLE
3	10-23163	UPPER TUBE ONLY
4	10-23167	LOWER TUBE ONLY
5	10-19402	UPPER FLIGHT, 8"
6	10-29733	LOWER FLIGHT W/ INTAKE FLIGHT, 8"
7	10-18920	INTAKE FLIGHT, 8"
8	10-23614	UPPER DRIVESHAFT GUARD
9	10-23247	LOWER DRIVESHAFT GUARD
10	10-29736	UPPER SHORT DRIVESHAFT
11	10-23184	MIDDLE DRIVESHAFT
12	10-23231	LOWER DRIVESHAFT
13	10-29726	INTAKE W/ SHIELD, BUSHING
14	10-17123	CLEVIS
15	10-29306	SPOUT, 8" ROLLED
16	10-19460	HALF CLAMP, 8"
17	10-23669	GEARBOX PIVOT, WIDE
18	10-23268	DRIVESHAFT GUARD HANGER BRACKET, LOWER
19	10-18763	TRACK SHOE
20	10-18762	TRACK STOP
21	10-17160	OIL COVER, 10" HEAD
22	10-17179	OIL BATH PLUG, 3/8
23	10-23178	CHAIN TENSIONER IDLE WHEEL ASSY
24	10-23177	INTERNAL SNAP RING, 1-3/8"
25	10-22821	BEARING
26	10-23179	CHAIN TENSIONER BRACKET
27	10-23250	FLANGE BEARING HANGER BRACKET
28	10-22946	TIGHTENER SPACER
29	10-23185	ROLLER CHAIN W/ CONN (HEAVY), #80-1HR X 31P
30	10-19323	CONNECTOR LINK (HEAVY), #80HR
31	10-18691	WOOD BEARING, 1-1/4
32	10-18695	FLANGE, 2-HOLE, 1-1/4"
33	10-19567	PILLOW BEARING, 1-1/4
34	10-19770	DRIVESHAFT CONNECTOR, 1-1/4"
35	10-23181	SPROCKET, 80B18 X 1"
36	10-23180	SPROCKET, 80B12 X 1-1/4"
38	10-19119	DRIVESHAFT CONNECTOR
39	10-19149	BUSHING, 1"
40	10-19222	GREASE FTG ZERK 1/4-28 SAE CZ PLTD
41	10-17181	CLEVIS PIN
42	10-17383	3610 GRIP CLIP
43	10-19606	KEY, 1/4" X 1-1/2" SQ
44	10-19224	1/4" X 1" WOODRUFF KEY PLAIN
45	10-19225	SETSCREW, 3/8" UNC X 3/8" REGULAR
46	10-29118	SETSCREW, 3/8" X 3/4" GR8 SQ HEAD
47	10-18698	7/16" X 1-1/4" NC BOLT GR 8 PLTD
48	10-18955	3/8" X 1" NC BOLT GR 5 PLTD
49	10-19542	7/16" X 1" NC BOLT GR 5 PLTD
50	10-19545	7/16" X 2-1/4" NC BOLT GR 8 PLTD
51	10-19589	1/2" X 1-1/2" NC BOLT GR 8 PLTD

TUBE COMPONENTS, 8" X 41 ft

14

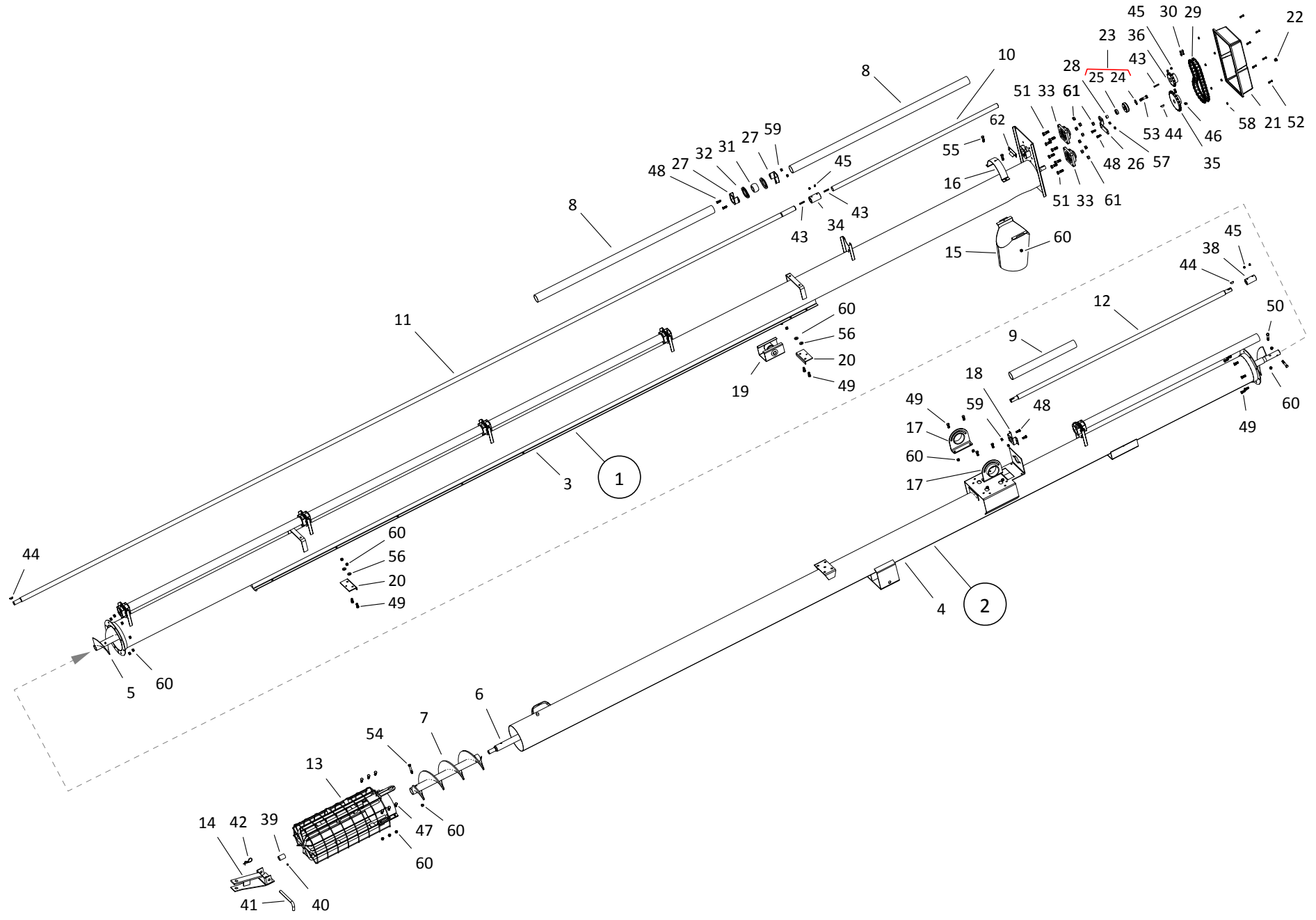


TUBE COMPONENTS, 8" x 41 ft

ITEM	PART NO.	DESCRIPTION
52	10-19988	1/4" X 1" NC BOLT GR 2 PLTD
53	10-27816	1/2" X 2" NC BOLT GR 5 PLTD
54	10-17747	7/16" X 2-1/2" NC BOLT GR 8 PLTD
55	10-28744	7/16" X 1-1/2" NC BOLT GR 5 PLTD
56	10-17182	1"OD X 29/64"ID X 10 GA WASHER PLTD
57	10-17402	3/8" NC NYLON LOCKNUT PLTD
58	10-19594	1/4" NC SERRATED FLANGE NUT PLTD
59	10-19596	3/8" NC SERRATED FLANGE NUT PLTD
60	10-19598	7/16" NC NYLON LOCKNUT GR 2 PLTD
61	10-19599	1/2" NC NYLON LOCKNUT GR 2 PLTD
62	10-23617	SHIELD STOP, UPPER

TUBE COMPONENTS, 8" X 46 ft

16

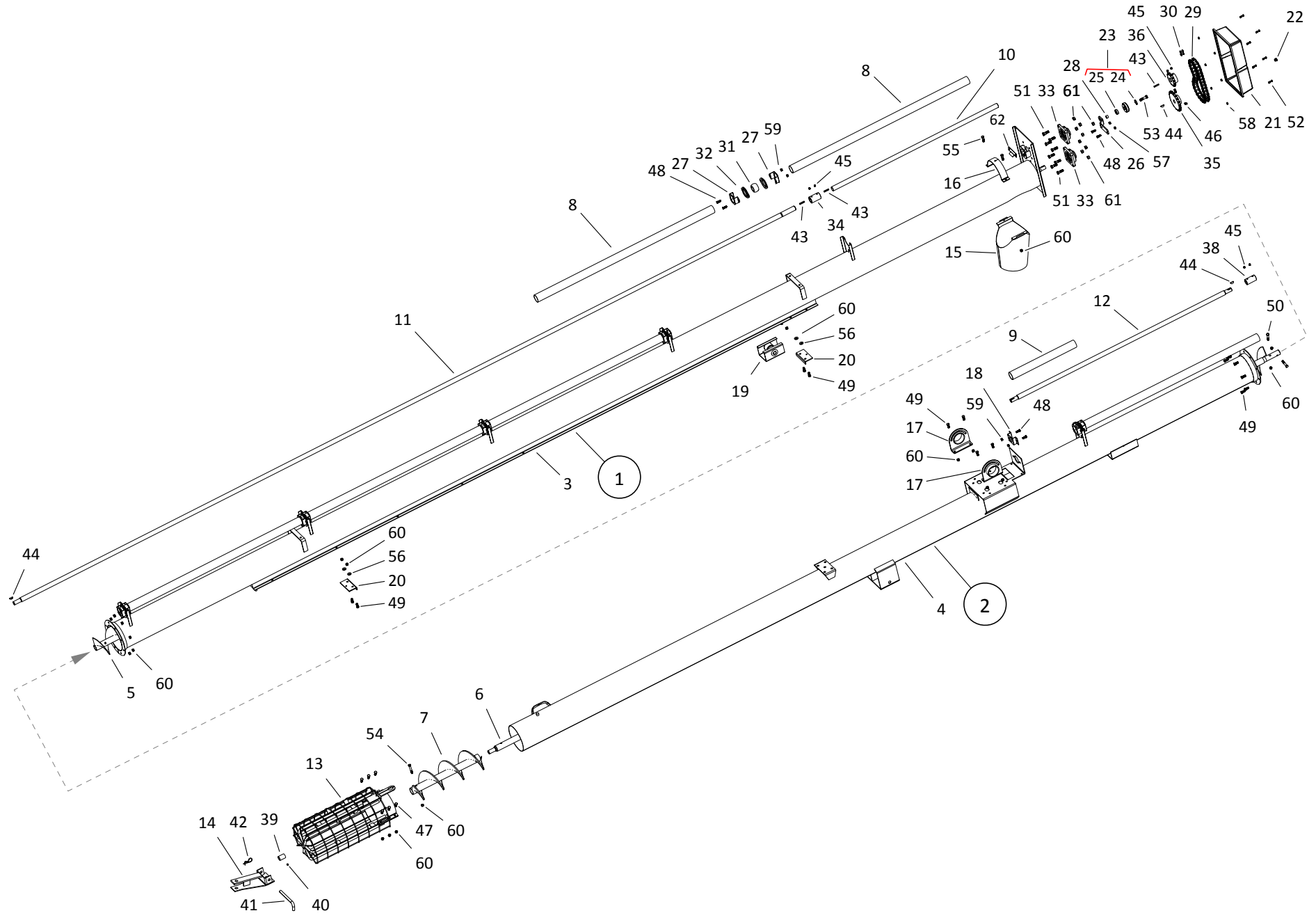


TUBE COMPONENTS, 8" x 46 ft

ITEM	PART NO.	DESCRIPTION
1	10-23153	UPPER TUBE BUNDLE
2	10-23157	LOWER TUBE BUNDLE
3	10-23163	UPPER TUBE ONLY
4	10-23168	LOWER TUBE ONLY
5	10-19402	UPPER FLIGHT, 8"
6	10-29734	LOWER FLIGHT W/ INTAKE FLIGHT, 8"
7	10-18920	INTAKE FLIGHT, 8"
8	10-23614	UPPER DRIVESHAFT GUARD
9	10-23248	LOWER DRIVESHAFT GUARD
10	10-29736	UPPER SHORT DRIVESHAFT
11	10-23184	MIDDLE DRIVESHAFT
12	10-19666	LOWER DRIVESHAFT
13	10-29726	INTAKE W/ SHIELD, BUSHING
14	10-17123	CLEVIS
15	10-29306	SPOUT, 8" ROLLED
16	10-19460	HALF CLAMP, 8"
17	10-23669	GEARBOX PIVOT, WIDE
18	10-23268	DRIVESHAFT GUARD HANGER BRACKET, LOWER
19	10-18763	TRACK SHOE
20	10-18762	TRACK STOP
21	10-17160	OIL COVER, 10" HEAD
22	10-17179	OIL BATH PLUG, 3/8
23	10-23178	CHAIN TENSIONER IDLE WHEEL ASSY
24	10-23177	INTERNAL SNAP RING, 1-3/8"
25	10-22821	BEARING
26	10-23179	CHAIN TENSIONER BRACKET
27	10-23250	FLANGE BEARING HANGER BRACKET
28	10-22946	TIGHTENER SPACER
29	10-23185	ROLLER CHAIN W/ CONN (HEAVY), #80-1HR X 31P
30	10-19323	CONNECTOR LINK (HEAVY), #80HR
31	10-18691	WOOD BEARING, 1-1/4
32	10-18695	FLANGE, 2-HOLE, 1-1/4"
33	10-19567	PILLOW BEARING, 1-1/4
34	10-19770	DRIVESHAFT CONNECTOR, 1-1/4"
35	10-23181	SPROCKET, 80B18 X 1"
36	10-23180	SPROCKET, 80B12 X 1-1/4"
38	10-19119	DRIVESHAFT CONNECTOR
39	10-19149	BUSHING, 1"
40	10-19222	GREASE FTG ZERK 1/4-28 SAE CZ PLTD
41	10-17181	CLEVIS PIN
42	10-17383	3610 GRIP CLIP
43	10-19606	KEY, 1/4" X 1-1/2" SQ
44	10-19224	1/4" X 1" WOODRUFF KEY PLAIN
45	10-19225	SETSCREW, 3/8" UNC X 3/8" REGULAR
46	10-29118	SETSCREW, 3/8" X 3/4" GR8 SQ HEAD
47	10-18698	7/16" X 1-1/4" NC BOLT GR 8 PLTD
48	10-18955	3/8" X 1" NC BOLT GR 5 PLTD
49	10-19542	7/16" X 1" NC BOLT GR 5 PLTD
50	10-19545	7/16" X 2-1/4" NC BOLT GR 8 PLTD
51	10-19589	1/2" X 1-1/2" NC BOLT GR 8 PLTD

TUBE COMPONENTS, 8" X 46 ft

18

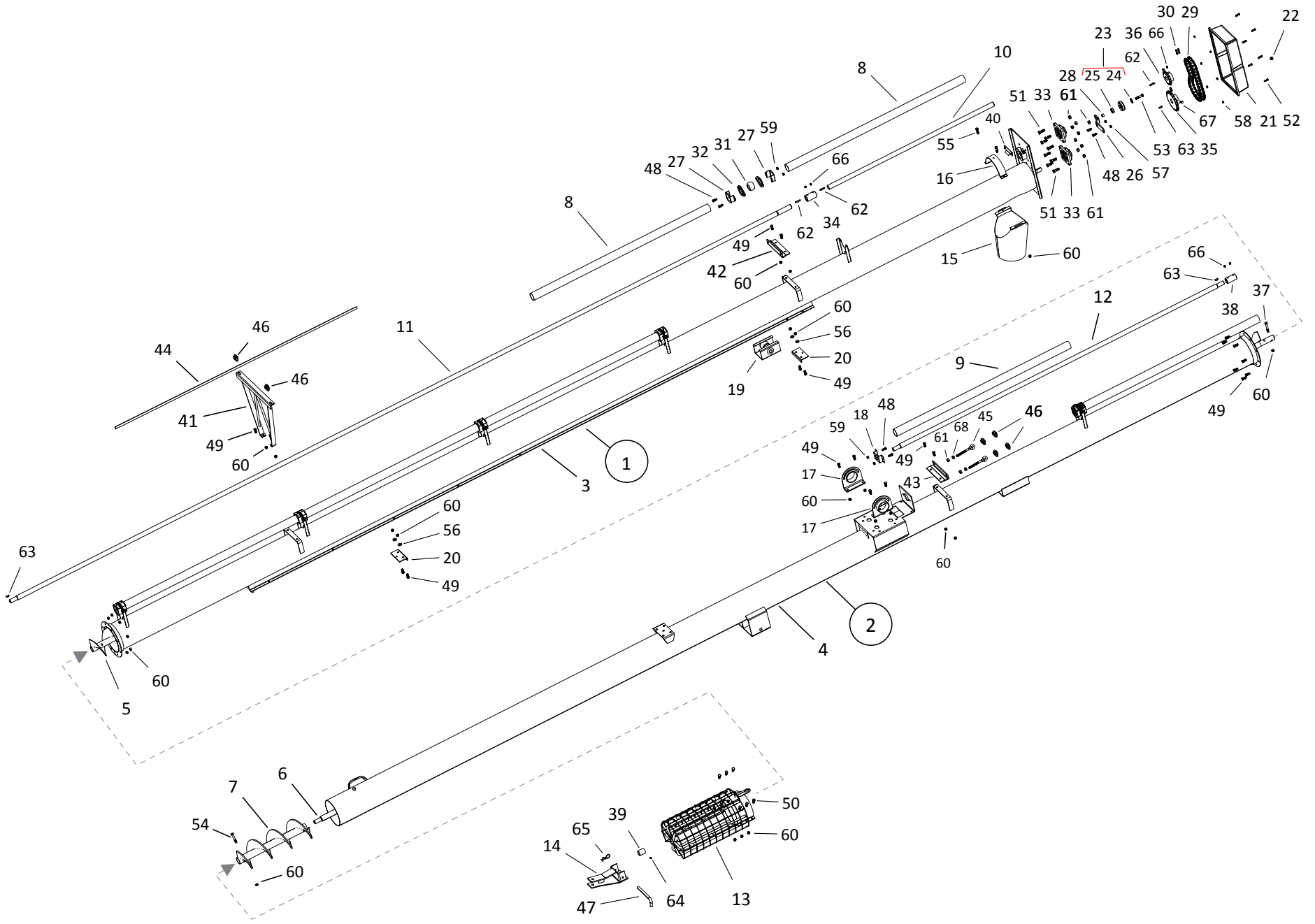


TUBE COMPONENTS, 8" x 46 ft

ITEM	PART NO.	DESCRIPTION
52	10-19988	1/4" X 1" NC BOLT GR 2 PLTD
53	10-27816	1/2" X 2" NC BOLT GR 5 PLTD
54	10-17747	7/16" X 2-1/2" NC BOLT GR 8 PLTD
55	10-28744	7/16" X 1-1/2" NC BOLT GR 5 PLTD
56	10-17182	1"OD X 29/64"ID X 10 GA WASHER PLTD
57	10-17402	3/8" NC NYLON LOCKNUT PLTD
58	10-19594	1/4" NC SERRATED FLANGE NUT PLTD
59	10-19596	3/8" NC SERRATED FLANGE NUT PLTD
60	10-19598	7/16" NC NYLON LOCKNUT GR 2 PLTD
61	10-19599	1/2" NC NYLON LOCKNUT GR 2 PLTD
62	10-23617	SHIELD STOP, UPPER

TUBE COMPONENTS, 8" x 51 ft

20



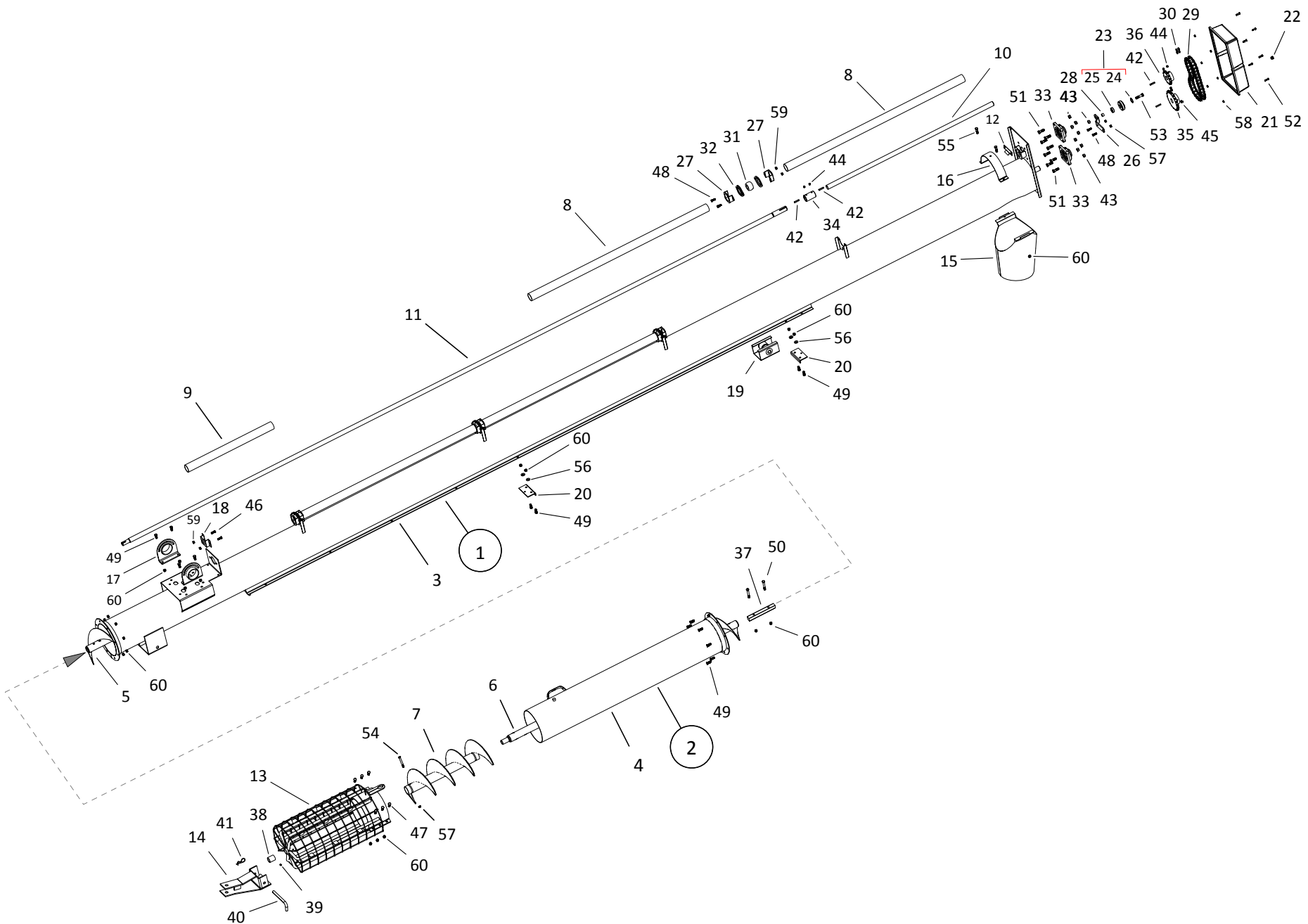
TUBE COMPONENTS, 8" x 51 ft

ITEM	PART NO.	DESCRIPTION
1	10-23153	UPPER TUBE BUNDLE
2	10-23158	LOWER TUBE BUNDLE
3	10-23163	UPPER TUBE ONLY
4	10-23169	LOWER TUBE ONLY
5	10-19402	UPPER FLIGHT, 8"
6	10-29735	LOWER FLIGHT W/ INTAKE FLIGHT, 8"
7	10-18920	INTAKE FLIGHT, 8"
8	10-23614	UPPER DRIVESHAFT GUARD
9	10-23245	LOWER DRIVESHAFT GUARD
10	10-29736	UPPER SHORT DRIVESHAFT
11	10-23184	MIDDLE DRIVESHAFT
12	10-23230	LOWER DRIVESHAFT
13	10-29726	INTAKE W/ SHIELD, BUSHING
14	10-17123	CLEVIS
15	10-29306	SPOUT, 8" ROLLED
16	10-19460	HALF CLAMP, 8"
17	10-23669	GEARBOX PIVOT, WIDE
18	10-23268	DRIVESHAFT GUARD HANGER BRACKET, LOWER
19	10-18763	TRACK SHOE
20	10-18762	TRACK STOP
21	10-17160	OIL COVER, 10" HEAD
22	10-17179	OIL BATH PLUG, 3/8
23	10-23178	CHAIN TENSIONER IDLE WHEEL ASSY
24	10-23177	INTERNAL SNAP RING, 1-3/8"
25	10-22821	BEARING
26	10-23179	CHAIN TENSIONER BRACKET
27	10-23250	FLANGE BEARING HANGER BRACKET
28	10-22946	TIGHTENER SPACER
29	10-23185	ROLLER CHAIN W/ CONN (HEAVY), #80-1HR X 31P
30	10-19323	CONNECTOR LINK (HEAVY), #80HR
31	10-18691	WOOD BEARING, 1-1/4
32	10-18695	FLANGE, 2-HOLE, 1-1/4"
33	10-19567	PILLOW BEARING, 1-1/4
34	10-19770	DRIVESHAFT CONNECTOR, 1-1/4"
35	10-23181	SPROCKET, 80B18 X 1"
36	10-23180	SPROCKET, 80B12 X 1-1/4"
37	10-19545	7/16" X 2-1/4" NC BOLT GR 8 PLTD
38	10-19119	DRIVESHAFT CONNECTOR
39	10-19149	BUSHING, 1"
40	10-23617	SHIELD STOP, UPPER
41	10-19324	REGULAR TRUSS BRACKET
42	10-27863	CABLE ANCHOR
43	10-27960	TRUSS CABLE ANCHOR BRACKET
44	4503058	TRUSS CABLE
45	10-19331	EYE BOLT/NUT 1/2" X5"
46	10-19147	1/4" CABLE CLAMP
47	10-17181	CLEVIS PIN
48	10-18955	3/8" X 1" NC BOLT GR 5 PLTD
49	10-19542	7/16" X 1" NC BOLT GR 5 PLTD
50	10-18698	7/16" X 1-1/4" NC BOLT GR 8 PLTD

TUBE COMPONENTS, 8" x 51 ft

ITEM	PART NO.	DESCRIPTION
51	10-19589	1/2" X 1-1/2" NC BOLT GR 8 PLTD
52	10-19988	1/4" X 1" NC BOLT GR 2 PLTD
53	10-27816	1/2" X 2" NC BOLT GR 5 PLTD
54	10-17747	7/16" X 2-1/2" NC BOLT GR 8 PLTD
55	10-28744	7/16" X 1-1/2" NC BOLT GR 5 PLTD
56	10-17182	1"OD X 29/64"ID X 10 GA WASHER PLTD
57	10-17402	3/8" NC NYLON LOCKNUT PLTD
58	10-19594	1/4" NC SERRATED FLANGE NUT PLTD
59	10-19596	3/8" NC SERRATED FLANGE NUT PLTD
60	10-19598	7/16" NC NYLON LOCKNUT GR 2 PLTD
61	10-19599	1/2" NC NYLON LOCKNUT GR 2 PLTD
62	10-19606	KEY, 1/4" X 1-1/2" SQ
63	10-19224	1/4" X 1" WOODRUFF KEY PLAIN
64	10-19222	GREASE FTG ZERK 1/4-28 SAE CZ PLTD
65	10-17383	3610 GRIP CLIP
66	10-19225	SETSCREW, 3/8" UNC X 3/8" REGULAR
67	10-29118	SETSCREW, 3/8" X 3/4" GR8 SQ HEAD
68	10-19602	1/2" NC HEX NUT PLTD

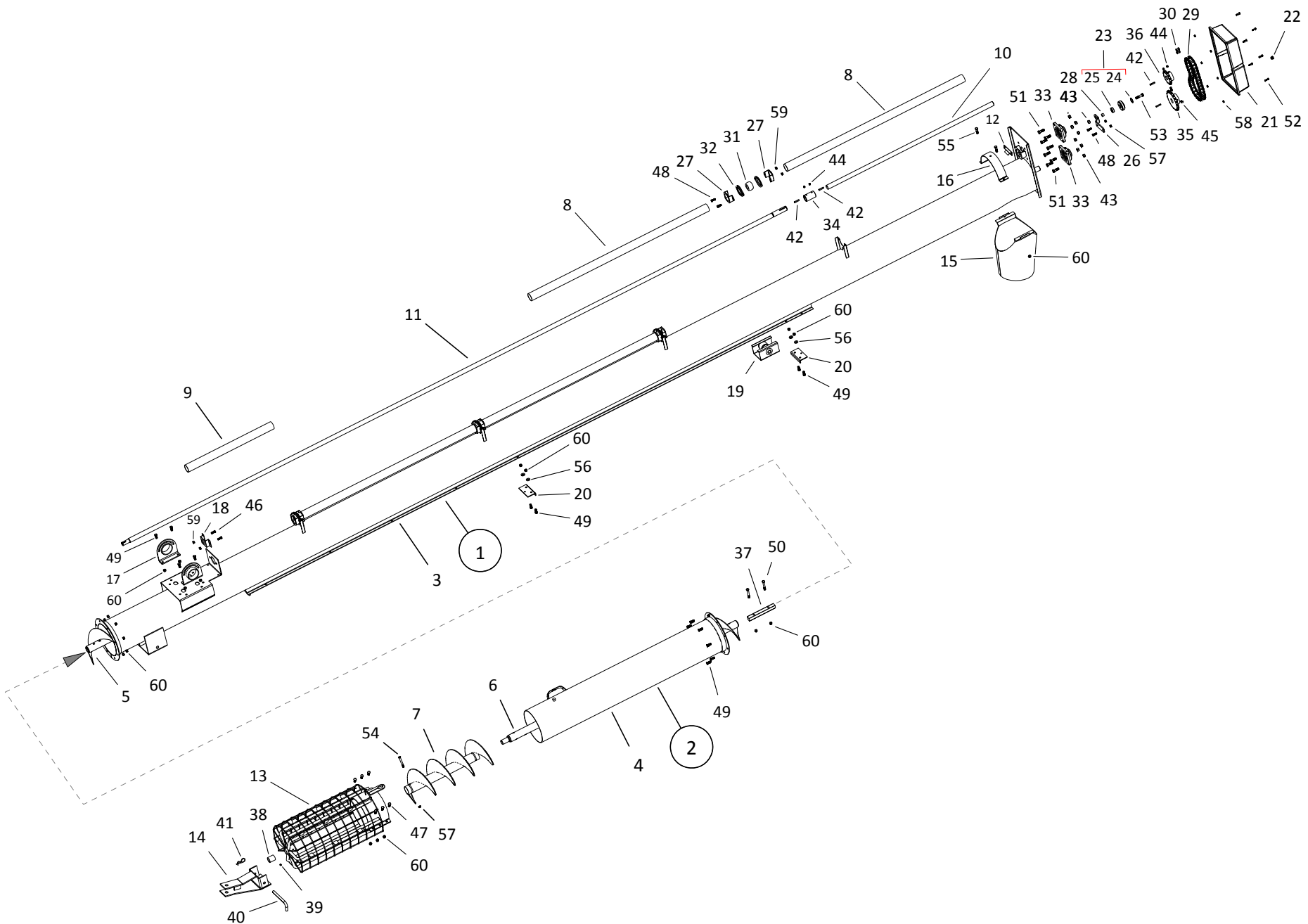
TUBE COMPONENTS, 10" x 31 ft



TUBE COMPONENTS, 10" x 31 ft

ITEM	PART NO.	DESCRIPTION
1	10-23150	UPPER TUBE BUNDLE
2	10-23159	LOWER TUBE BUNDLE
3	10-23164	UPPER TUBE ONLY
4	10-19735	LOWER TUBE ONLY
5	10-23183	UPPER FLIGHT, 10"
6	10-23186	LOWER FLIGHT W/ INTAKE FLIGHT, 10"
7	10-17535	INTAKE FLIGHT, 10"
8	10-23614	UPPER DRIVESHAFT GUARD
9	10-23175	LOWER DRIVESHAFT GUARD
10	10-29736	UPPER SHORT DRIVESHAFT
11	10-23182	LOWER DRIVESHAFT
12	10-23617	SHIELD STOP, UPPER
13	10-29738	INTAKE W/ SHIELD, BUSHING
14	10-17180	CLEVIS
15	10-29307	SPOUT, 10" ROLLED
16	10-19801	HALF CLAMP, 10"
17	10-23669	GEARBOX PIVOT, WIDE
18	10-23268	DRIVESHAFT GUARD HANGER BRACKET, LOWER
19	10-18763	TRACK SHOE
20	10-18762	TRACK STOP
21	10-17160	OIL COVER, 10" HEAD
22	10-17179	OIL BATH PLUG, 3/8
23	10-23178	CHAIN TENSIONER IDLE WHEEL ASSY
24	10-23177	INTERNAL SNAP RING, 1-3/8"
25	10-22821	BEARING
26	10-23179	CHAIN TENSIONER BRACKET
27	10-23250	FLANGE BEARING HANGER BRACKET
28	10-22946	TIGHTENER SPACER
29	10-23185	ROLLER CHAIN W/ CONN (HEAVY), #80-1HR X 31P
30	10-19323	CONNECTOR LINK (HEAVY), #80HR
31	10-18691	WOOD BEARING, 1-1/4
32	10-18695	FLANGE, 2-HOLE, 1-1/4"
33	10-19567	PILLOW BEARING, 1-1/4
34	10-19770	DRIVESHAFT CONNECTOR, 1-1/4"
35	10-19779	SPROCKET, 80B18 X 1-1/4"
36	10-23180	SPROCKET, 80B12 X 1-1/4"
37	10-21690	FLIGHT CONNECTING SHAFT
38	10-19776	BUSHING, 1-1/4"
39	10-19222	GREASE FTG ZERK 1/4-28 SAE CZ PLTD
40	10-17181	CLEVIS PIN
41	10-17383	3610 GRIP CLIP
42	10-19606	KEY, 1/4" X 1-1/2" SQ
43	10-19599	1/2" NC NYLON LOCKNUT GR 2 PLTD
44	10-19225	SETSCREW, 3/8" UNC X 3/8" REGULAR
45	10-29118	SETSCREW, 3/8" X 3/4" GR8 SQ HEAD
46	10-19540	3/8" X 3/4" NC BOLT GR 5 PLTD
47	10-18698	7/16" X 1-1/4" NC BOLT GR 8 PLTD
48	10-18955	3/8" X 1" NC BOLT GR 5 PLTD
49	10-19542	7/16" X 1" NC BOLT GR 5 PLTD
50	10-19546	7/16" X 3" NC BOLT GR 5 PLTD

TUBE COMPONENTS, 10" x 31 ft

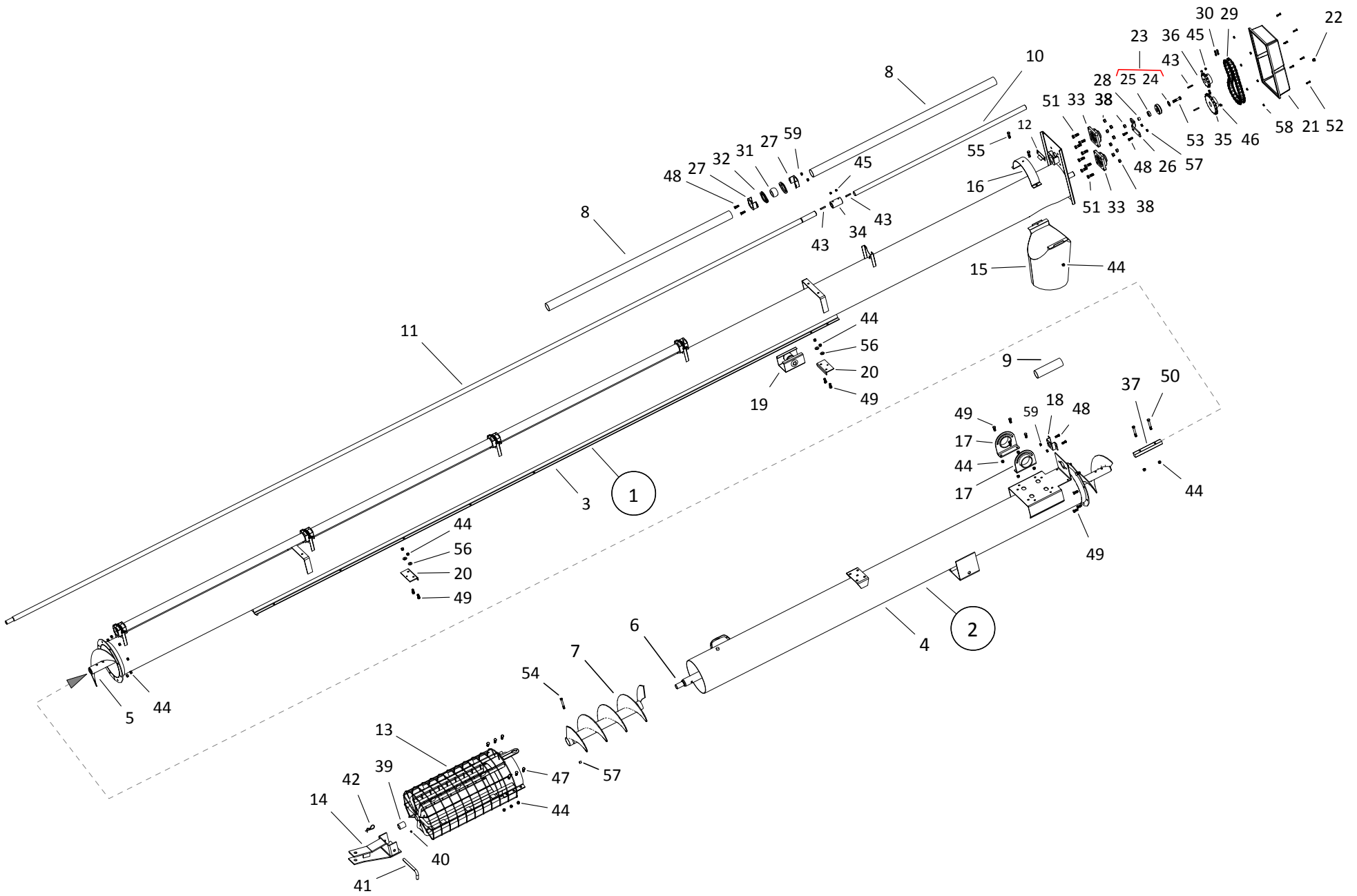


TUBE COMPONENTS, 10" x 31 ft

ITEM	PART NO.	DESCRIPTION
51	10-19589	1/2" X 1-1/2" NC BOLT GR 8 PLTD
52	10-19988	1/4" X 1" NC BOLT GR 2 PLTD
53	10-27816	1/2" X 2" NC BOLT GR 5 PLTD
54	10-27981	3/8" X 3" NC BOLT GR 5 PLTD
55	10-28744	7/16" X 1-1/2" NC BOLT GR 5 PLTD
56	10-17182	1"OD X 29/64"ID X 10 GA WASHER PLTD
57	10-17402	3/8" NC NYLON LOCKNUT PLTD
58	10-19594	1/4" NC SERRATED FLANGE NUT PLTD
59	10-19596	3/8" NC SERRATED FLANGE NUT PLTD
60	10-19598	7/16" NC NYLON LOCKNUT GR 2 PLTD

TUBE COMPONENTS, 10" x 36 ft

28

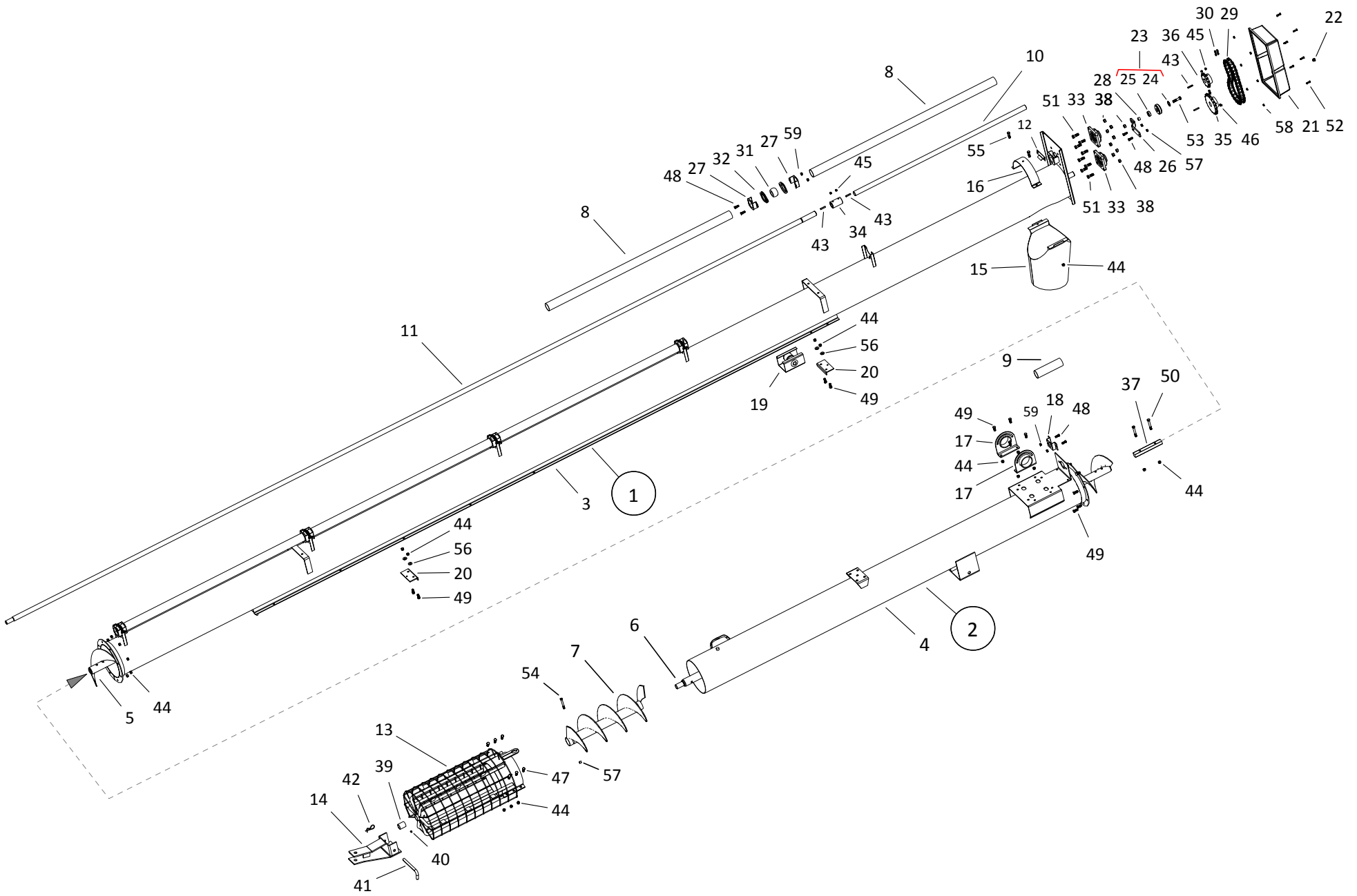


TUBE COMPONENTS, 10" x 36 ft

ITEM	PART NO.	DESCRIPTION
1	10-23151	UPPER TUBE BUNDLE
2	10-23160	LOWER TUBE BUNDLE
3	10-23165	UPPER TUBE ONLY
4	10-23170	LOWER TUBE ONLY
5	10-23183	UPPER FLIGHT, 10"
6	10-23187	LOWER FLIGHT W/ INTAKE FLIGHT, 10"
7	10-17535	INTAKE FLIGHT, 10"
8	10-23614	UPPER DRIVESHAFT GUARD
9	10-23246	LOWER DRIVESHAFT GUARD
10	10-29736	UPPER SHORT DRIVESHAFT
11	10-23184	MIDDLE DRIVESHAFT
12	10-23617	SHIELD STOP, UPPER
13	10-29738	INTAKE W/ SHIELD, BUSHING
14	10-17180	CLEVIS
15	10-29307	SPOUT, 10" ROLLED
16	10-19801	HALF CLAMP, 10"
17	10-23669	GEARBOX PIVOT, WIDE
18	10-23268	DRIVESHAFT GUARD HANGER BRACKET, LOWER
19	10-18763	TRACK SHOE
20	10-18762	TRACK STOP
21	10-17160	OIL COVER, 10" HEAD
22	10-17179	OIL BATH PLUG, 3/8
23	10-23178	CHAIN TENSIONER IDLE WHEEL ASSY
24	10-23177	INTERNAL SNAP RING, 1-3/8"
25	10-22821	BEARING
26	10-23179	CHAIN TENSIONER BRACKET
27	10-23250	FLANGE BEARING HANGER BRACKET
28	10-22946	TIGHTENER SPACER
29	10-23185	ROLLER CHAIN W/ CONN (HEAVY), #80-1HR X 31P
30	10-19323	CONNECTOR LINK (HEAVY), #80HR
31	10-18691	WOOD BEARING, 1-1/4
32	10-18695	FLANGE, 2-HOLE, 1-1/4"
33	10-19567	PILLOW BEARING, 1-1/4
34	10-19770	DRIVESHAFT CONNECTOR, 1-1/4"
35	10-19779	SPROCKET, 80B18 X 1-1/4"
36	10-23180	SPROCKET, 80B12 X 1-1/4"
37	10-21690	FLIGHT CONNECTING SHAFT
38	10-19599	1/2" NC NYLON LOCKNUT GR 2 PLTD
39	10-19776	BUSHING, 1-1/4"
40	10-19222	GREASE FTG ZERK 1/4-28 SAE CZ PLTD
41	10-17181	CLEVIS PIN
42	10-17383	3610 GRIP CLIP
43	10-19606	KEY, 1/4" X 1-1/2" SQ
44	10-19598	7/16" NC NYLON LOCKNUT GR 2 PLTD
45	10-19225	SETSCREW, 3/8" UNC X 3/8" REGULAR
46	10-29119	SETSCREW, 3/8" X 1" GR8 SQ HEAD
47	10-18698	7/16" X 1-1/4" NC BOLT GR 8 PLTD
48	10-18955	3/8" X 1" NC BOLT GR 5 PLTD
49	10-19542	7/16" X 1" NC BOLT GR 5 PLTD
50	10-19546	7/16" X 3" NC BOLT GR 5 PLTD

TUBE COMPONENTS, 10" x 36 ft

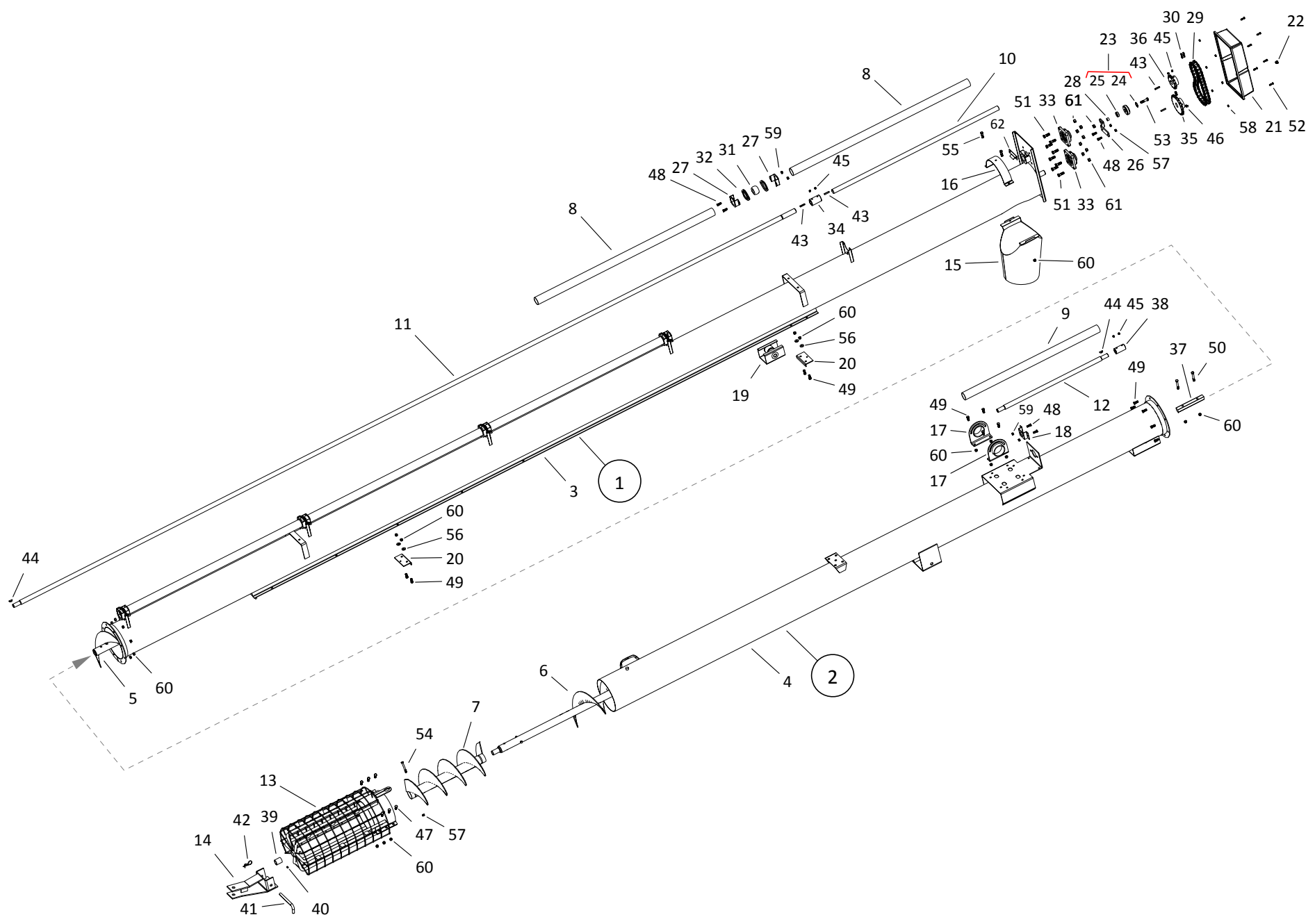
30



TUBE COMPONENTS, 10" x 36 ft

ITEM	PART NO.	DESCRIPTION
51	10-19589	1/2" X 1-1/2" NC BOLT GR 8 PLTD
52	10-19988	1/4" X 1" NC BOLT GR 2 PLTD
53	10-27816	1/2" X 2" NC BOLT GR 5 PLTD
54	10-27981	3/8" X 3" NC BOLT GR 5 PLTD
55	10-28744	7/16" X 1-1/2" NC BOLT GR 5 PLTD
56	10-17182	1"OD X 29/64"ID X 10 GA WASHER PLTD
57	10-17402	3/8" NC NYLON LOCKNUT PLTD
58	10-19594	1/4" NC SERRATED FLANGE NUT PLTD
59	10-19596	3/8" NC SERRATED FLANGE NUT PLTD

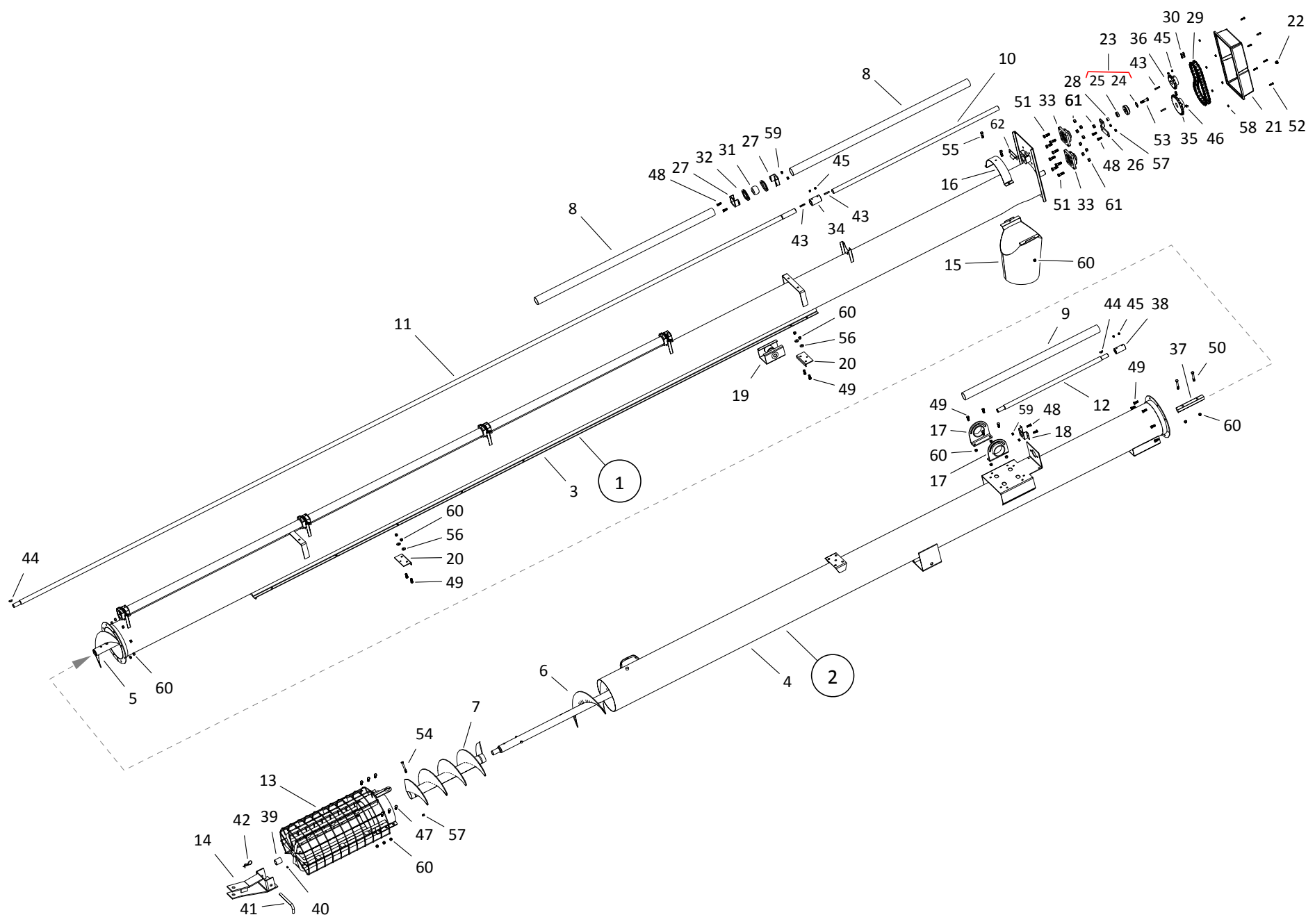
TUBE COMPONENTS, 10" X 41 ft



TUBE COMPONENTS, 10" x 41 ft

ITEM	PART NO.	DESCRIPTION
1	10-23151	UPPER TUBE BUNDLE
2	10-23161	LOWER TUBE BUNDLE
3	10-23165	UPPER TUBE ONLY
4	10-23171	LOWER TUBE ONLY
5	10-23183	UPPER FLIGHT, 10"
6	10-23188	LOWER FLIGHT W/ INTAKE FLIGHT, 10"
7	10-17535	INTAKE FLIGHT, 10"
8	10-23614	UPPER DRIVESHAFT GUARD
9	10-23247	LOWER DRIVESHAFT GUARD
10	10-29736	UPPER SHORT DRIVESHAFT
11	10-23184	MIDDLE DRIVESHAFT
12	10-23231	LOWER DRIVESHAFT
13	10-29738	INTAKE W/ SHIELD, BUSHING
14	10-17180	CLEVIS
15	10-29307	SPOUT, 10" ROLLED
16	10-19801	HALF CLAMP, 10"
17	10-23669	GEARBOX PIVOT, WIDE
18	10-23268	DRIVESHAFT GUARD HANGER BRACKET, LOWER
19	10-18763	TRACK SHOE
20	10-18762	TRACK STOP
21	10-17160	OIL COVER, 10" HEAD
22	10-17179	OIL BATH PLUG, 3/8
23	10-23178	CHAIN TENSIONER IDLE WHEEL ASSY
24	10-23177	INTERNAL SNAP RING, 1-3/8"
25	10-22821	BEARING
26	10-23179	CHAIN TENSIONER BRACKET
27	10-23250	FLANGE BEARING HANGER BRACKET
28	10-22946	TIGHTENER SPACER
29	10-23185	ROLLER CHAIN W/ CONN (HEAVY), #80-1HR X 31P
30	10-19323	CONNECTOR LINK (HEAVY), #80HR
31	10-18691	WOOD BEARING, 1-1/4
32	10-18695	FLANGE, 2-HOLE, 1-1/4"
33	10-19567	PILLOW BEARING, 1-1/4
34	10-19770	DRIVESHAFT CONNECTOR, 1-1/4"
35	10-19779	SPROCKET, 80B18 X 1-1/4"
36	10-23180	SPROCKET, 80B12 X 1-1/4"
37	10-21690	FLIGHT CONNECTING SHAFT
38	10-19119	DRIVESHAFT CONNECTOR
39	10-19776	BUSHING, 1-1/4"
40	10-19222	GREASE FTG ZERK 1/4-28 SAE CZ PLTD
41	10-17181	CLEVIS PIN
42	10-17383	3610 GRIP CLIP
43	10-19606	KEY, 1/4" X 1-1/2" SQ
44	10-19224	1/4" X 1" WOODRUFF KEY PLAIN
45	10-19225	SETSCREW, 3/8" UNC X 3/8" REGULAR
46	10-29119	SETSCREW, 3/8" X 1" GR8 SQ HEAD
47	10-18698	7/16" X 1-1/4" NC BOLT GR 8 PLTD
48	10-18955	3/8" X 1" NC BOLT GR 5 PLTD
49	10-19542	7/16" X 1" NC BOLT GR 5 PLTD
50	10-19546	7/16" X 3" NC BOLT GR 5 PLTD

TUBE COMPONENTS, 10" x 41 ft

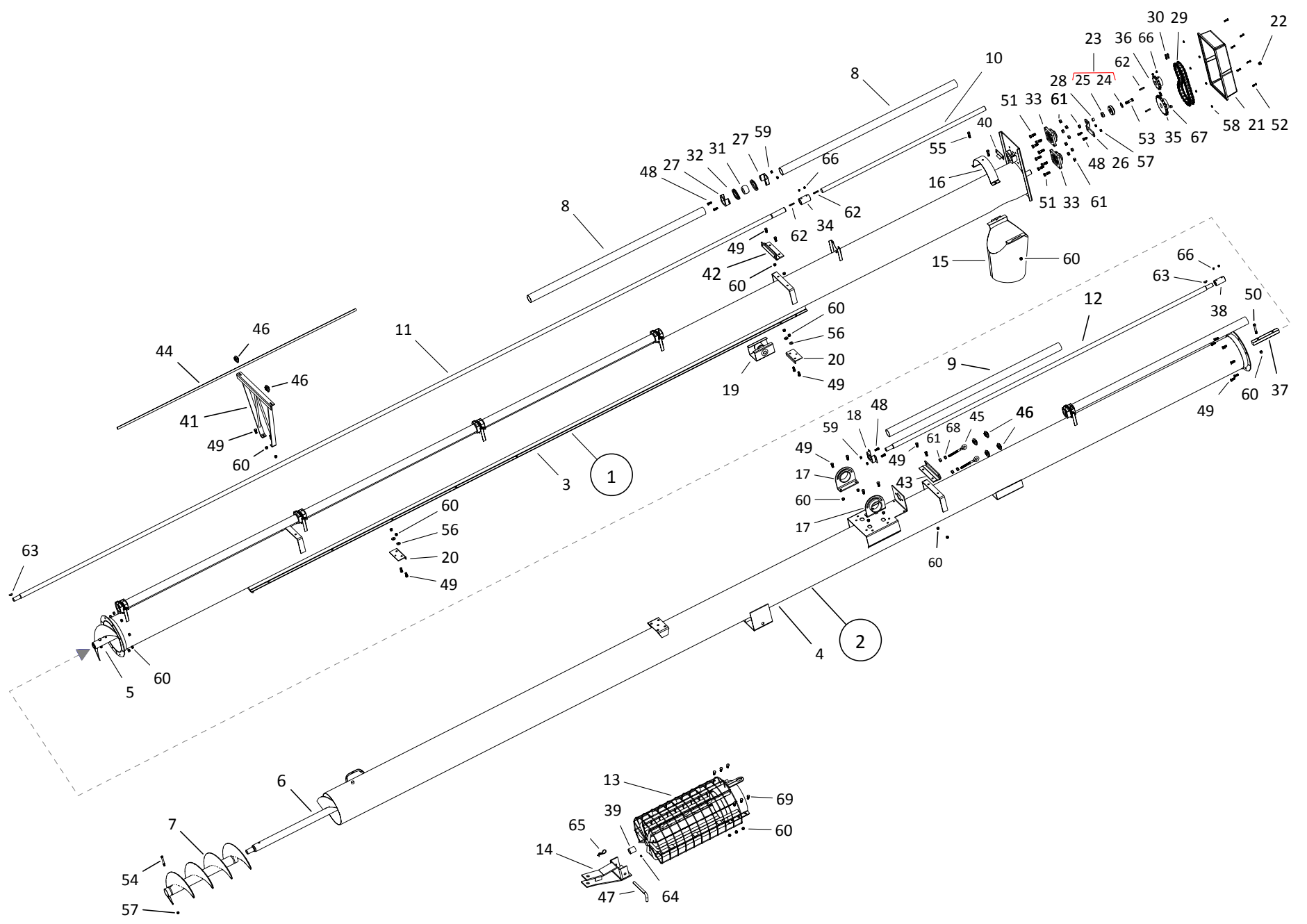


TUBE COMPONENTS, 10" x 41 ft

ITEM	PART NO.	DESCRIPTION
51	10-19589	1/2" X 1-1/2" NC BOLT GR 8 PLTD
52	10-19988	1/4" X 1" NC BOLT GR 2 PLTD
53	10-27816	1/2" X 2" NC BOLT GR 5 PLTD
54	10-27981	3/8" X 3" NC BOLT GR 5 PLTD
55	10-28744	7/16" X 1-1/2" NC BOLT GR 5 PLTD
56	10-17182	1"OD X 29/64"ID X 10 GA WASHER PLTD
57	10-17402	3/8" NC NYLON LOCKNUT PLTD
58	10-19594	1/4" NC SERRATED FLANGE NUT PLTD
59	10-19596	3/8" NC SERRATED FLANGE NUT PLTD
60	10-19598	7/16" NC NYLON LOCKNUT GR 2 PLTD
61	10-19599	1/2" NC NYLON LOCKNUT GR 2 PLTD
62	10-23617	SHIELD STOP, UPPER

TUBE COMPONENTS, 10" x 51 ft

36

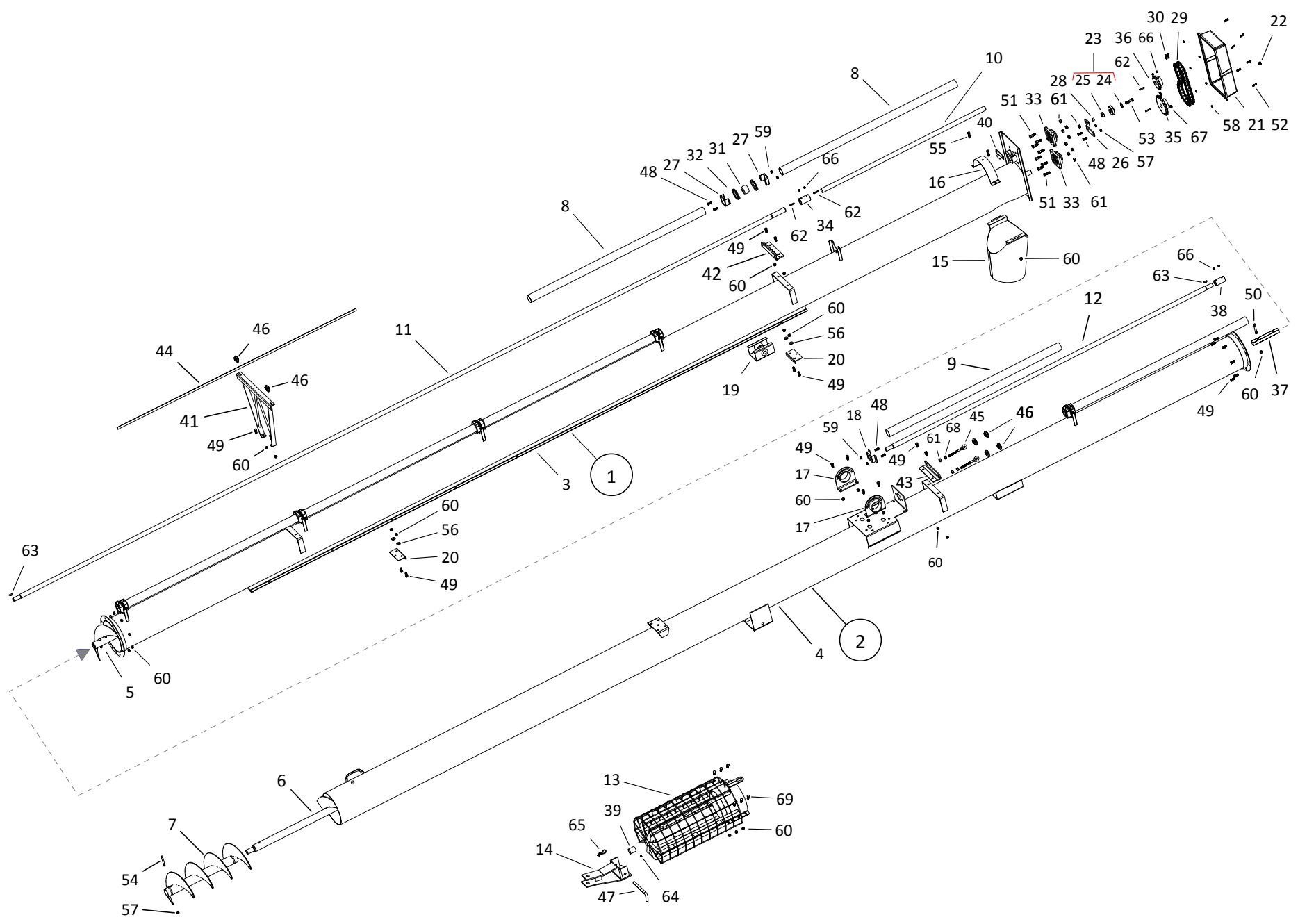


TUBE COMPONENTS, 10" x 51 ft

ITEM	PART NO.	DESCRIPTION
1	10-23151	UPPER TUBE BUNDLE
2	10-23162	LOWER TUBE BUNDLE
3	10-23165	UPPER TUBE ONLY
4	10-23172	LOWER TUBE ONLY
5	10-23183	UPPER FLIGHT, 10"
6	10-23189	LOWER FLIGHT W/ INTAKE FLIGHT, 10"
7	10-17535	INTAKE FLIGHT, 10"
8	10-23614	UPPER DRIVESHAFT GUARD
9	10-23245	LOWER DRIVESHAFT GUARD
10	10-29736	UPPER SHORT DRIVESHAFT
11	10-23184	MIDDLE DRIVESHAFT
12	10-23230	LOWER DRIVESHAFT
13	10-29738	INTAKE W/ SHIELD, BUSHING
14	10-17180	CLEVIS
15	10-29307	SPOUT, 10" ROLLED
16	10-19801	HALF CLAMP, 10"
17	10-23669	GEARBOX PIVOT, WIDE
18	10-23268	DRIVESHAFT GUARD HANGER BRACKET, LOWER
19	10-18763	TRACK SHOE
20	10-18762	TRACK STOP
21	10-17160	OIL COVER, 10" HEAD
22	10-17179	OIL BATH PLUG, 3/8
23	10-23178	CHAIN TENSIONER IDLE WHEEL ASSY
24	10-23177	INTERNAL SNAP RING, 1-3/8"
25	10-22821	BEARING
26	10-23179	CHAIN TENSIONER BRACKET
27	10-23250	FLANGE BEARING HANGER BRACKET
28	10-22946	TIGHTENER SPACER
29	10-23185	ROLLER CHAIN W/ CONN (HEAVY), #80-1HR X 31P
30	10-19323	CONNECTOR LINK (HEAVY), #80HR
31	10-18691	WOOD BEARING, 1-1/4
32	10-18695	FLANGE, 2-HOLE, 1-1/4"
33	10-19567	PILLOW BEARING, 1-1/4
34	10-19770	DRIVESHAFT CONNECTOR, 1-1/4"
35	10-19779	SPROCKET, 80B18 X 1-1/4"
36	10-23180	SPROCKET, 80B12 X 1-1/4"
37	10-21690	FLIGHT CONNECTING SHAFT
38	10-19119	DRIVESHAFT CONNECTOR
39	10-19776	BUSHING, 1-1/4"
40	10-23617	SHIELD STOP, UPPER
41	10-19324	REGULAR TRUSS BRACKET
42	10-27863	CABLE ANCHOR
43	10-27960	TRUSS CABLE ANCHOR BRACKET
44	4503058	TRUSS CABLE
45	10-19331	EYE BOLT/NUT 1/2" X5"
46	10-19147	1/4" CABLE CLAMP
47	10-17181	CLEVIS PIN
48	10-18955	3/8" X 1" NC BOLT GR 5 PLTD
49	10-19542	7/16" X 1" NC BOLT GR 5 PLTD
50	10-19546	7/16" X 3" NC BOLT GR 5 PLTD

TUBE COMPONENTS, 10" x 51 ft

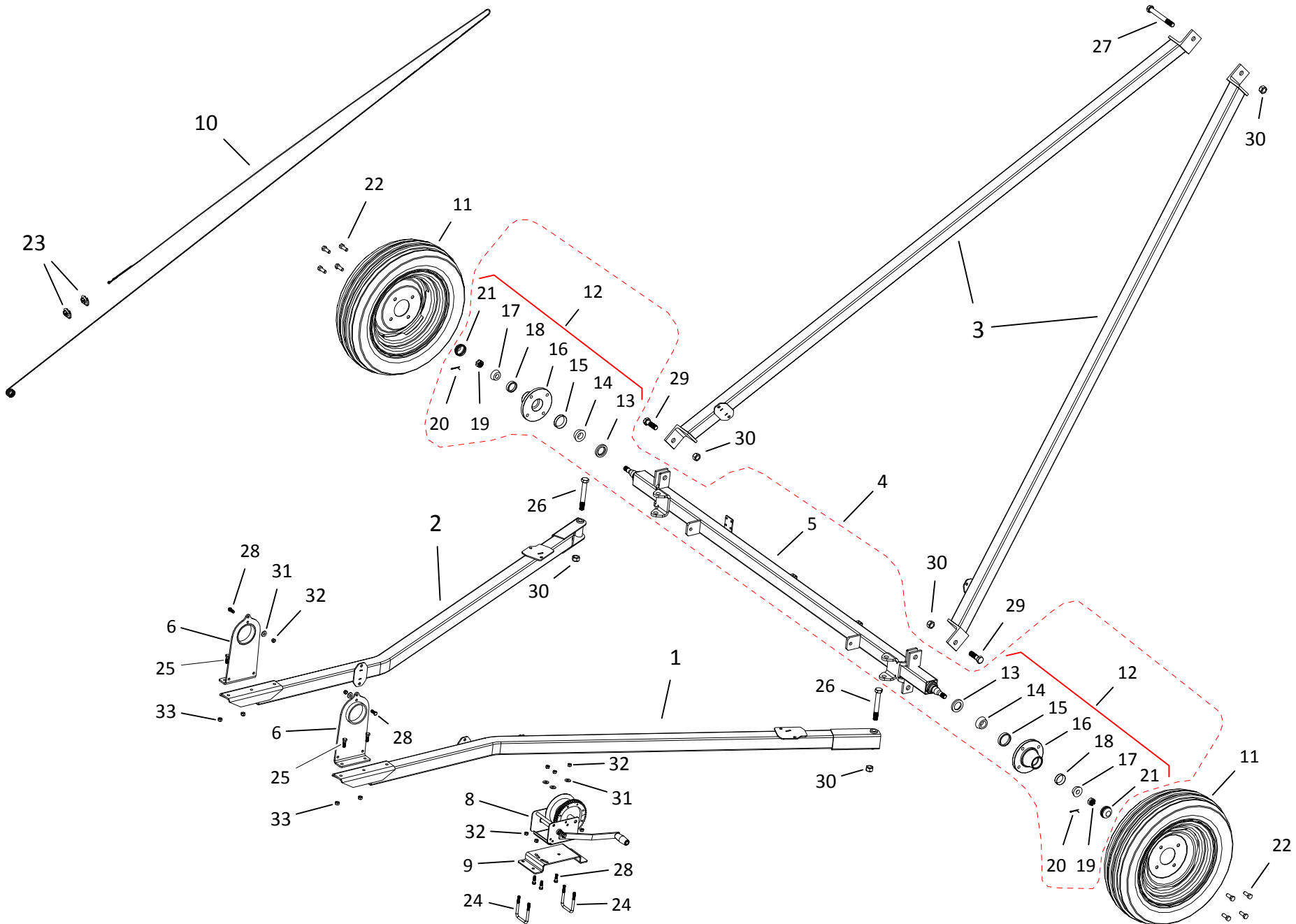
38



TUBE COMPONENTS, 10" x 51 ft

ITEM	PART NO.	DESCRIPTION
51	10-19589	1/2" X 1-1/2" NC BOLT GR 8 PLTD
52	10-19988	1/4" X 1" NC BOLT GR 2 PLTD
53	10-27816	1/2" X 2" NC BOLT GR 5 PLTD
54	10-27981	3/8" X 3" NC BOLT GR 5 PLTD
55	10-28744	7/16" X 1-1/2" NC BOLT GR 5 PLTD
56	10-17182	1"OD X 29/64"ID X 10 GA WASHER PLTD
57	10-17402	3/8" NC NYLON LOCKNUT PLTD
58	10-19594	1/4" NC SERRATED FLANGE NUT PLTD
59	10-19596	3/8" NC SERRATED FLANGE NUT PLTD
60	10-19598	7/16" NC NYLON LOCKNUT GR 2 PLTD
61	10-19599	1/2" NC NYLON LOCKNUT GR 2 PLTD
62	10-19606	KEY, 1/4" X 1-1/2" SQ
63	10-19224	1/4" X 1" WOODRUFF KEY PLAIN
64	10-19222	GREASE FTG ZERK 1/4-28 SAE CZ PLTD
65	10-17383	3610 GRIP CLIP
66	10-19225	SETSCREW, 3/8" UNC X 3/8" REGULAR
67	10-29119	SETSCREW, 3/8" X 1" GR8 SQ HEAD
68	10-19602	1/2" NC HEX NUT PLTD
69	10-18698	7/16" X 1-1/4" NC BOLT GR 8 PLTD

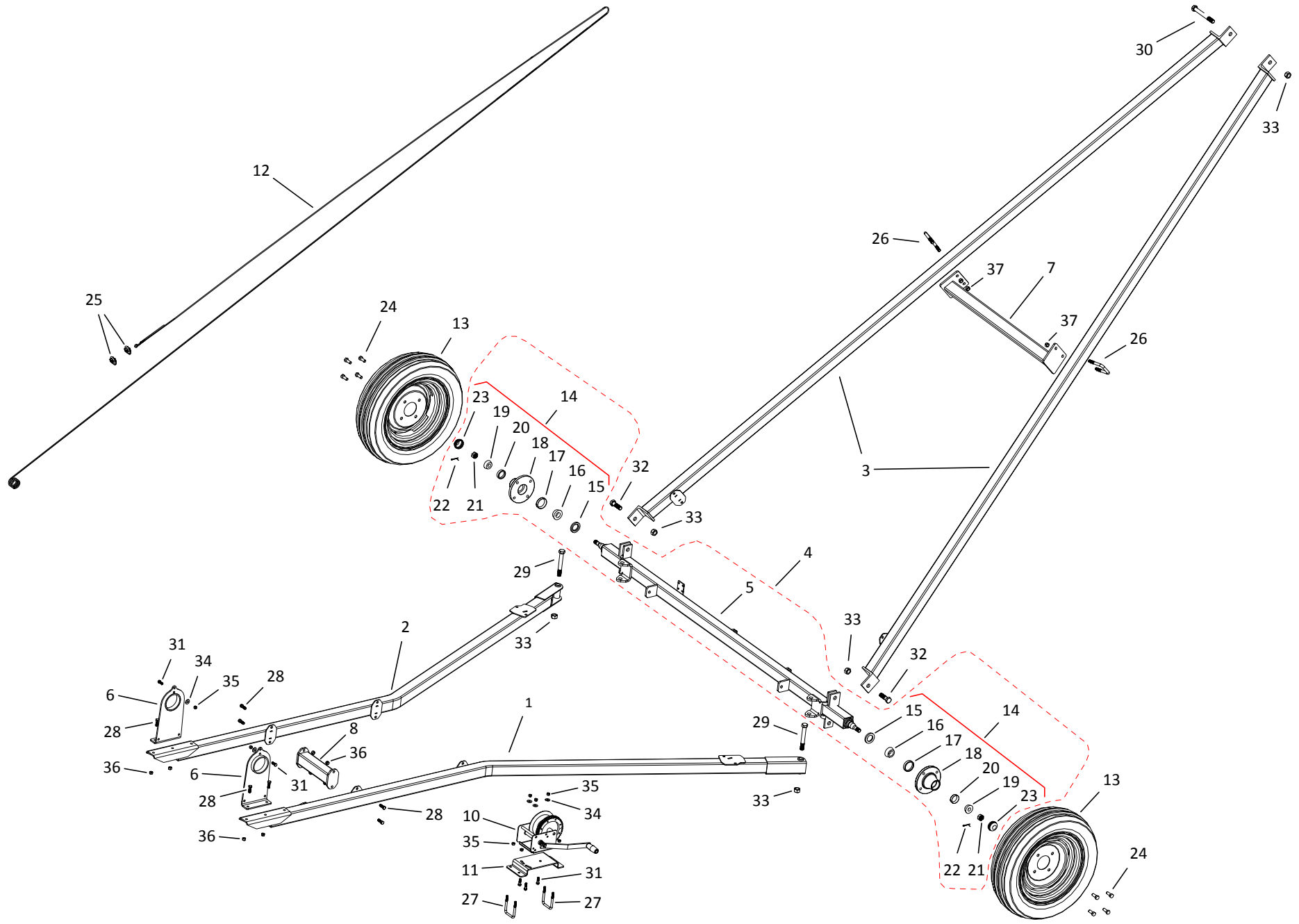
FRAME COMPONENTS, 31 ft



FRAME COMPONENTS, 31 ft

ITEM	PART NO.	DESCRIPTION
1	10-23135	LOWER FRAME, LH
2	10-23136	LOWER FRAME, RH
3	10-23145	UPPER FRAME
4	10-23459	AXLE ASSY, 1 PIECE
5	10-23225	AXLE ONLY
6	10-23668	FRAME PIVOT, WIDE
8	10-19152	WINCH & HANDLE
9	10-20387	MOUNT PLATE, WINCH
10	10-19248	WINCH CABLE
11	10-21330	15X4.5X4 BOLT WHEEL ASSEMBLY
12	10-19467	HUB ASSEMBLY
13	10-19264	INNER SEAL
14	10-19265	INNER BEARING CONE
15	10-19266	INNER BEARING CUP
16	10-19267	HUB
17	10-19269	OUTER BEARING CONE
18	10-19268	OUTER BEARING CUP
19	10-19270	3/4" NF SLOTTED NUT PLAIN
20	10-19271	COTTER PIN 1/8 X 1-1/2 C.ZINC PLTD
21	10-19272	DUST CAP
22	10-19273	1/2" X 1-3/4" NF #5 WHEEL BOLT
23	10-19147	1/4" CABLE CLAMP
24	10-28445	UBOLTSQ3/8NCX2-5/8X3-3/4X1-1/4THD
25	10-18698	7/16" X 1-1/4" NC BOLT GR 8 PLTD
26	10-29997	3/4" X 5-1/2" NC BOLT GR 8 PLTD
27	10-19593	3/4" X 6-1/2" NC BOLT GR 8 PLTD
28	10-19975	3/8" X 1-1/4" NC BOLT GR 5 PLTD
29	10-20774	3/4" X 2-1/2" BOLT GR8 PLTD
30	10-19601	3/4" NC NYLON LOCKNUT PLTD
31	10-17392	3/8" FLAT WASHER PLTD
32	10-17402	3/8" NC NYLON LOCKNUT PLTD
33	10-19598	7/16" NC NYLON LOCKNUT GR 2 PLTD

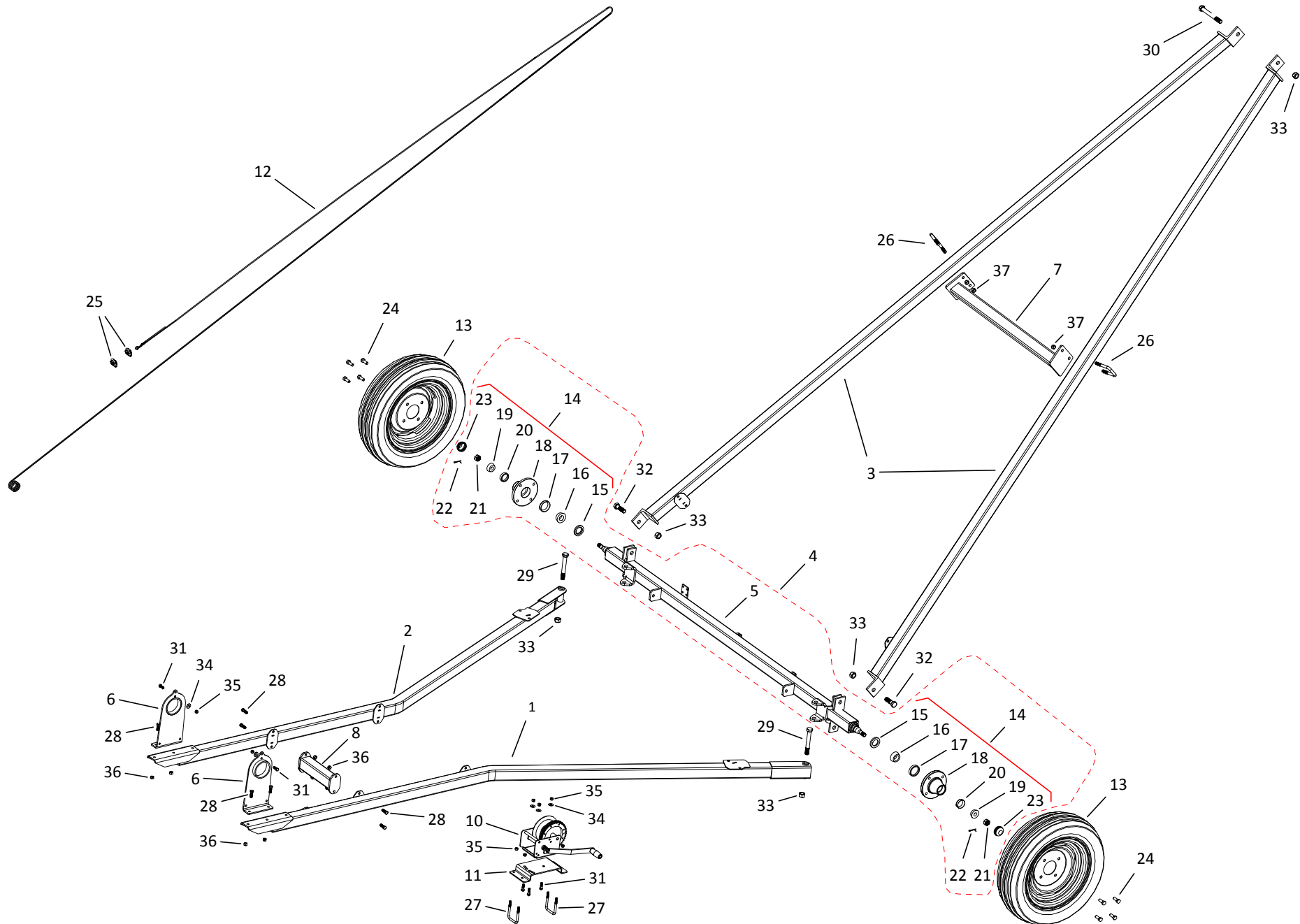
FRAME COMPONENTS, 36 ft



FRAME COMPONENTS, 36 ft

ITEM	PART NO.	DESCRIPTION
1	10-23137	LOWER FRAME, LH
2	10-23138	LOWER FRAME, RH
3	10-23146	UPPER FRAME
4	10-23459	AXLE ASSY, 1 PIECE
5	10-23225	AXLE ONLY
6	10-23668	FRAME PIVOT, WIDE
7	10-22231	LIFT ARM X-SUPPORT, RED
8	10-23213	FRAME CROSSMEMBER
10	10-19152	WINCH & HANDLE
11	10-20387	MOUNT PLATE, WINCH
12	10-18823	WINCH CABLE
13	10-21330	15X4.5X4 BOLT WHEEL ASSEMBLY
14	10-19467	HUB ASSEMBLY
15	10-19264	INNER SEAL
16	10-19265	INNER BEARING CONE
17	10-19266	INNER BEARING CUP
18	10-19267	HUB
19	10-19269	OUTER BEARING CONE
20	10-19268	OUTER BEARING CUP
21	10-19270	3/4" NF SLOTTED NUT PLAIN
22	10-19271	COTTER PIN 1/8 X 1-1/2 C.ZINC PLTD
23	10-19272	DUST CAP
24	10-19273	1/2" X 1-3/4" NF #5 WHEEL BOLT
25	10-19147	1/4" CABLE CLAMP
26	10-28444	UBOLTSQ1/2NCX2-5/8X4X1-1/4THDGR5PLT
27	10-28445	UBOLTSQ3/8NCX2-5/8X3-3/4X1-1/4THD
28	10-18698	7/16" X 1-1/4" NC BOLT GR 8 PLTD
29	10-29997	3/4" X 5-1/2" NC BOLT GR 8 PLTD
30	10-19593	3/4" X 6-1/2" NC BOLT GR 8 PLTD
31	10-19975	3/8" X 1-1/4" NC BOLT GR 5 PLTD
32	10-20774	3/4" X 2-1/2" BOLT GR8 PLTD
33	10-19601	3/4" NC NYLON LOCKNUT PLTD
34	10-17392	3/8" FLAT WASHER PLTD
35	10-17402	3/8" NC NYLON LOCKNUT PLTD
36	10-19598	7/16" NC NYLON LOCKNUT GR 2 PLTD
37	10-19599	1/2" NC NYLON LOCKNUT GR 2 PLTD

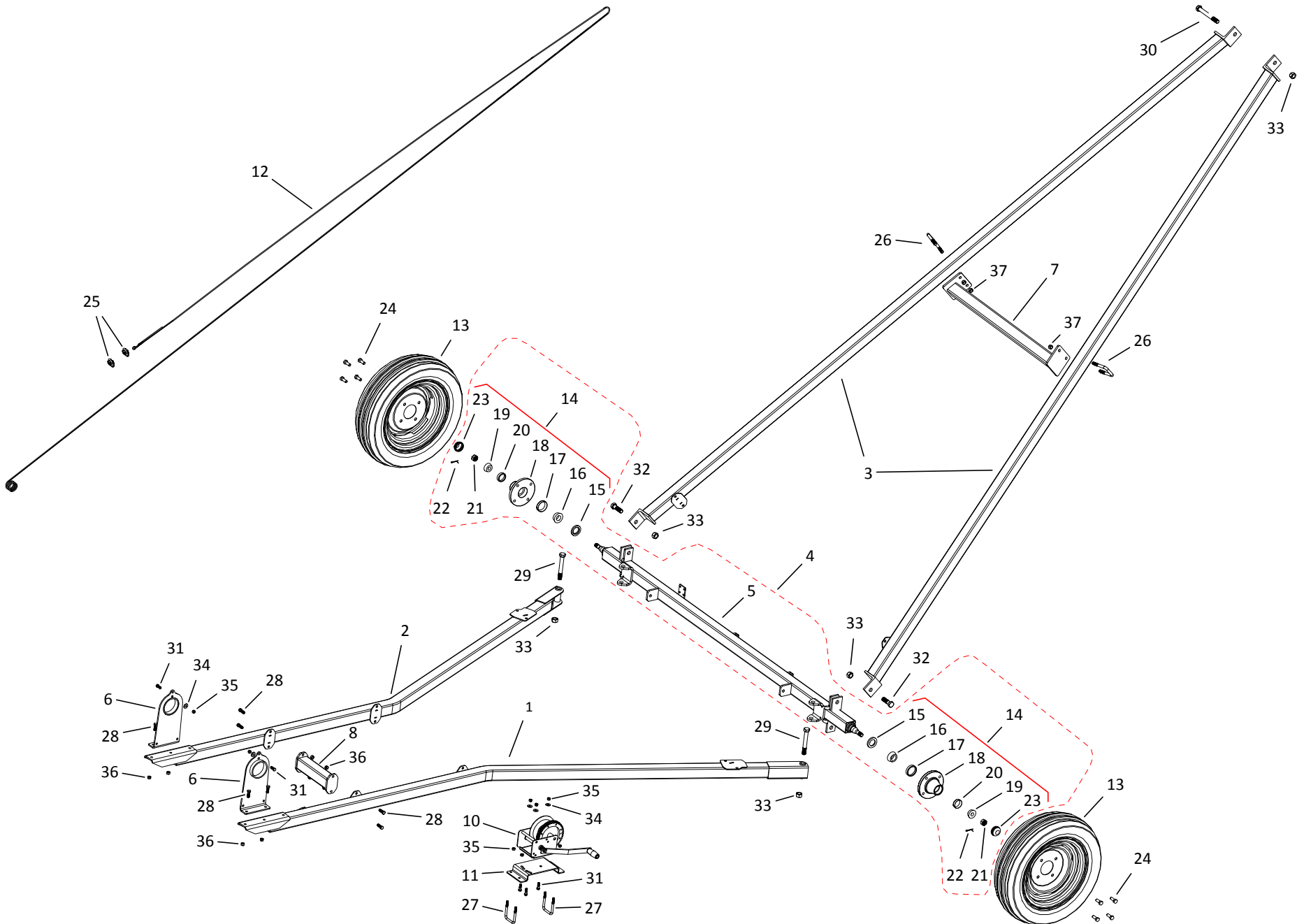
FRAME COMPONENTS, 41 ft



FRAME COMPONENTS, 41 ft

ITEM	PART NO.	DESCRIPTION
1	10-23139	LOWER FRAME, LH
2	10-23140	LOWER FRAME, RH
3	10-23147	UPPER FRAME
4	10-23459	AXLE ASSY, 1 PIECE
5	10-23225	AXLE ONLY
6	10-23668	FRAME PIVOT, WIDE
7	10-21790	LIFT ARM X-SUPPORT, RED
8	10-23213	FRAME CROSSMEMBER
10	10-19152	WINCH & HANDLE
11	10-20387	MOUNT PLATE, WINCH
12	4503065	WINCH CABLE
13	10-21330	15X4.5X4 BOLT WHEEL ASSEMBLY
14	10-19467	HUB ASSEMBLY
15	10-19264	INNER SEAL
16	10-19265	INNER BEARING CONE
17	10-19266	INNER BEARING CUP
18	10-19267	HUB
19	10-19269	OUTER BEARING CONE
20	10-19268	OUTER BEARING CUP
21	10-19270	3/4" NF SLOTTED NUT PLAIN
22	10-19271	COTTER PIN 1/8 X 1-1/2 C.ZINC PLTD
23	10-19272	DUST CAP
24	10-19273	1/2" X 1-3/4" NF #5 WHEEL BOLT
25	10-19147	1/4" CABLE CLAMP
26	10-28444	UBOLTSQ1/2NCX2-5/8X4X1-1/4THDGR5PLT
27	10-28445	UBOLTSQ3/8NCX2-5/8X3-3/4X1-1/4THD
28	10-18698	7/16" X 1-1/4" NC BOLT GR 8 PLTD
29	10-29997	3/4" X 5-1/2" NC BOLT GR 8 PLTD
30	10-19593	3/4" X 6-1/2" NC BOLT GR 8 PLTD
31	10-19975	3/8" X 1-1/4" NC BOLT GR 5 PLTD
32	10-20774	3/4" X 2-1/2" BOLT GR8 PLTD
33	10-19601	3/4" NC NYLON LOCKNUT PLTD
34	10-17392	3/8" FLAT WASHER PLTD
35	10-17402	3/8" NC NYLON LOCKNUT PLTD
36	10-19598	7/16" NC NYLON LOCKNUT GR 2 PLTD
37	10-19599	1/2" NC NYLON LOCKNUT GR 2 PLTD

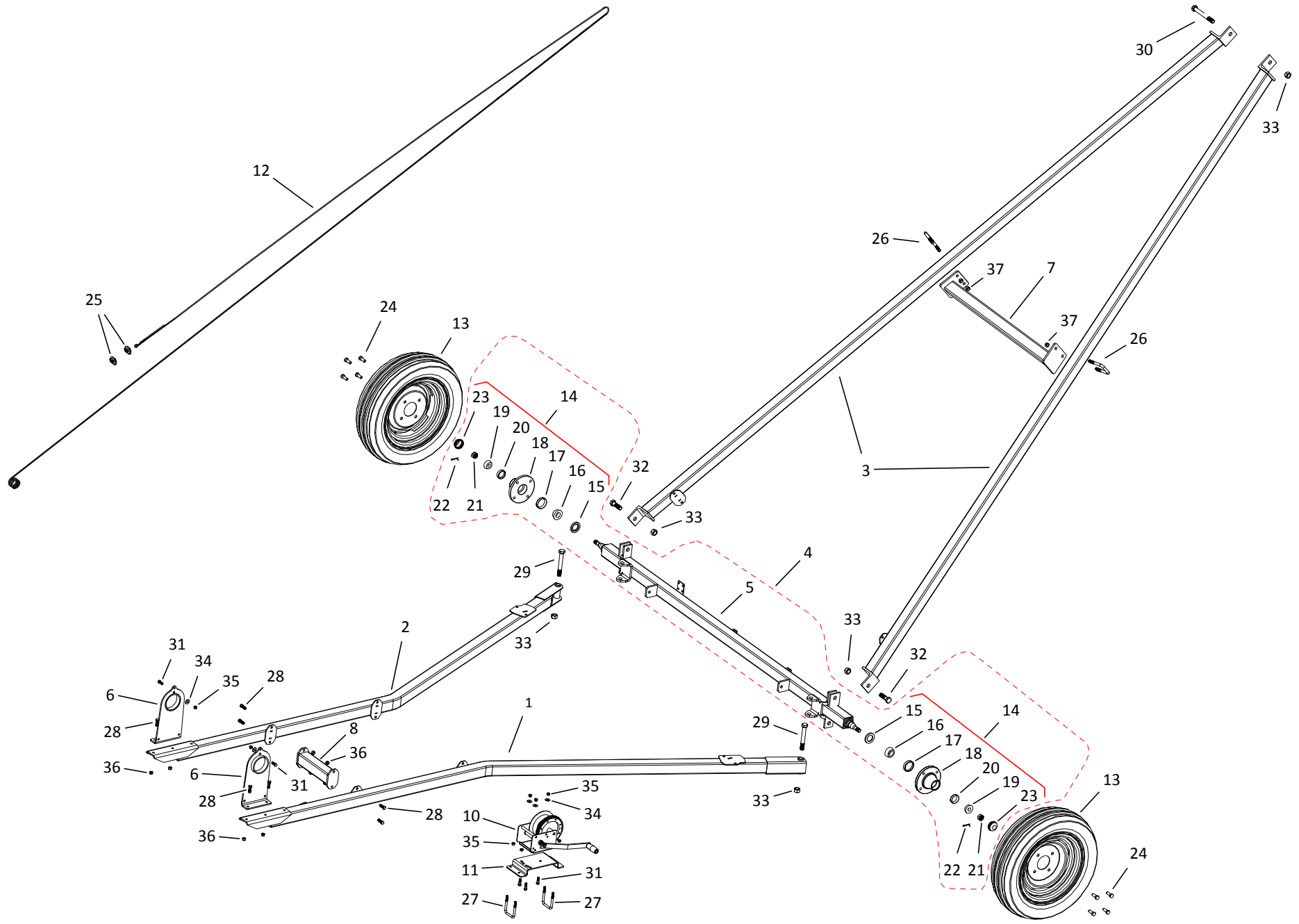
FRAME COMPONENTS, 46 ft



FRAME COMPONENTS, 46 ft

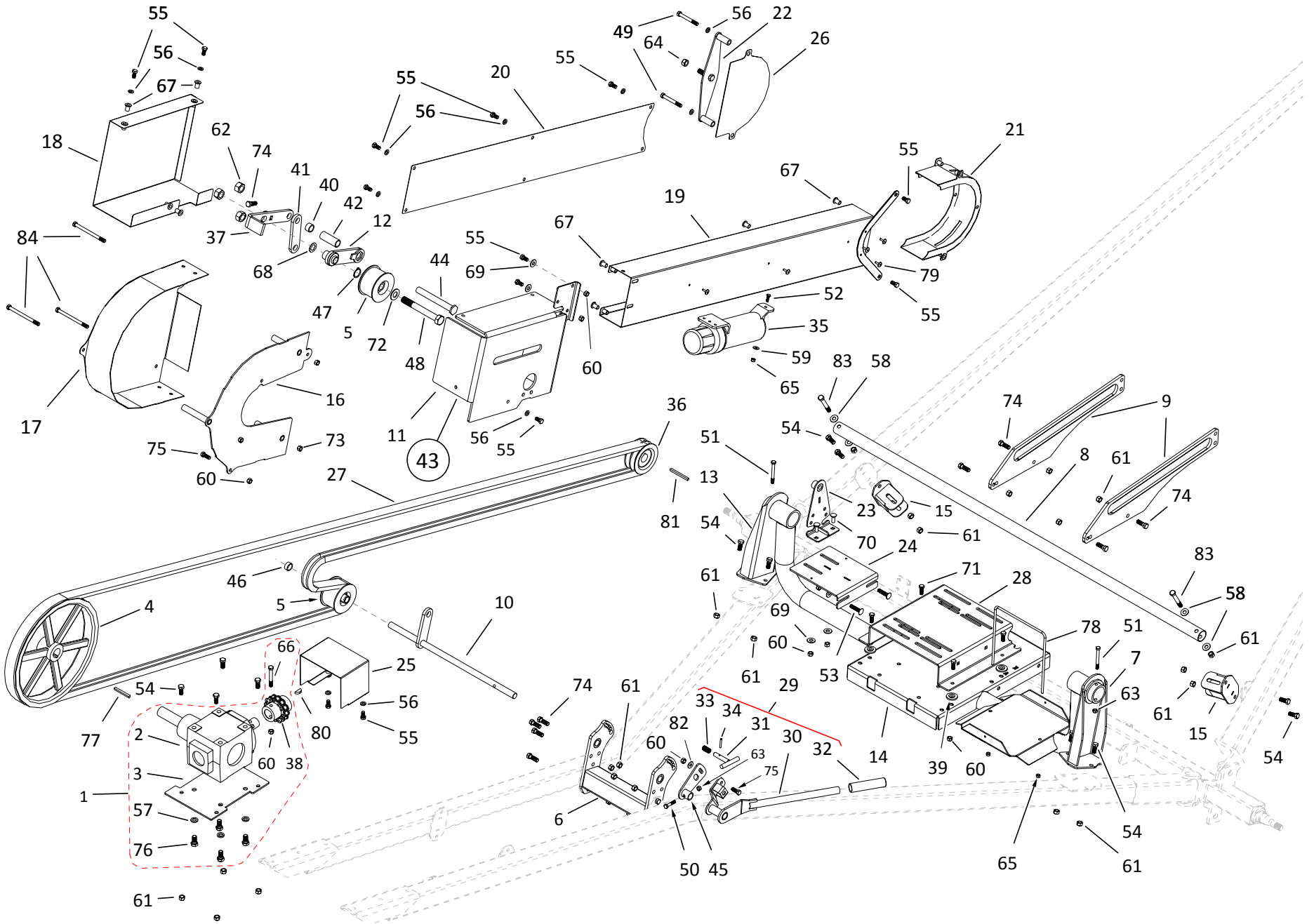
ITEM	PART NO.	DESCRIPTION
1	10-23141	LOWER FRAME, LH
2	10-23142	LOWER FRAME, RH
3	10-23148	UPPER FRAME
4	10-23459	AXLE ASSY, 1 PIECE
5	10-23225	AXLE ONLY
6	10-23668	FRAME PIVOT, WIDE
7	10-20395	LIFT ARM X-SUPPORT, RED
8	10-23213	FRAME CROSSMEMBER
10	10-19152	WINCH & HANDLE
11	10-20387	MOUNT PLATE, WINCH
12	10-19250	WINCH CABLE
13	10-21330	15X4.5X4 BOLT WHEEL ASSEMBLY
14	10-19467	HUB ASSEMBLY
15	10-19264	INNER SEAL
16	10-19265	INNER BEARING CONE
17	10-19266	INNER BEARING CUP
18	10-19267	HUB
19	10-19269	OUTER BEARING CONE
20	10-19268	OUTER BEARING CUP
21	10-19270	3/4" NF SLOTTED NUT PLAIN
22	10-19271	COTTER PIN 1/8 X 1-1/2 C.ZINC PLTD
23	10-19272	DUST CAP
24	10-19273	1/2" X 1-3/4" NF #5 WHEEL BOLT
25	10-19147	1/4" CABLE CLAMP
26	10-28444	UBOLTSQ1/2NCX2-5/8X4X1-1/4THDGR5PLT
27	10-28445	UBOLTSQ3/8NCX2-5/8X3-3/4X1-1/4THD
28	10-18698	7/16" X 1-1/4" NC BOLT GR 8 PLTD
29	10-29997	3/4" X 5-1/2" NC BOLT GR 8 PLTD
30	10-19593	3/4" X 6-1/2" NC BOLT GR 8 PLTD
31	10-19975	3/8" X 1-1/4" NC BOLT GR 5 PLTD
32	10-20774	3/4" X 2-1/2" BOLT GR8 PLTD
33	10-19601	3/4" NC NYLON LOCKNUT PLTD
34	10-17392	3/8" FLAT WASHER PLTD
35	10-17402	3/8" NC NYLON LOCKNUT PLTD
36	10-19598	7/16" NC NYLON LOCKNUT GR 2 PLTD
37	10-19599	1/2" NC NYLON LOCKNUT GR 2 PLTD

FRAME COMPONENTS, 51 ft



FRAME COMPONENTS, 51 ft

ITEM	PART NO.	DESCRIPTION
1	10-23143	LOWER FRAME, LH
2	10-23144	LOWER FRAME, RH
3	10-23149	UPPER FRAME
4	10-23459	AXLE ASSY, 1 PIECE
5	10-23225	AXLE ONLY
6	10-23668	FRAME PIVOT, WIDE
7	10-20395	LIFT ARM X-SUPPORT, RED
8	10-23213	FRAME CROSSMEMBER
10	10-19152	WINCH & HANDLE
11	10-20387	MOUNT PLATE, WINCH
12	10-27963	WINCH CABLE
13	10-21330	15X4.5X4 BOLT WHEEL ASSEMBLY
14	10-19467	HUB ASSEMBLY
15	10-19264	INNER SEAL
16	10-19265	INNER BEARING CONE
17	10-19266	INNER BEARING CUP
18	10-19267	HUB
19	10-19269	OUTER BEARING CONE
20	10-19268	OUTER BEARING CUP
21	10-19270	3/4" NF SLOTTED NUT PLAIN
22	10-19271	COTTER PIN 1/8 X 1-1/2 C.ZINC PLTD
23	10-19272	DUST CAP
24	10-19273	1/2" X 1-3/4" NF #5 WHEEL BOLT
25	10-19147	1/4" CABLE CLAMP
26	10-28444	UBOLTSQ1/2NCX2-5/8X4X1-1/4THDGR5PLT
27	10-28445	UBOLTSQ3/8NCX2-5/8X3-3/4X1-1/4THD
28	10-18698	7/16" X 1-1/4" NC BOLT GR 8 PLTD
29	10-29997	3/4" X 5-1/2" NC BOLT GR 8 PLTD
30	10-19593	3/4" X 6-1/2" NC BOLT GR 8 PLTD
31	10-19975	3/8" X 1-1/4" NC BOLT GR 5 PLTD
32	10-20774	3/4" X 2-1/2" BOLT GR8 PLTD
33	10-19601	3/4" NC NYLON LOCKNUT PLTD
34	10-17392	3/8" FLAT WASHER PLTD
35	10-17402	3/8" NC NYLON LOCKNUT PLTD
36	10-19598	7/16" NC NYLON LOCKNUT GR 2 PLTD
37	10-19599	1/2" NC NYLON LOCKNUT GR 2 PLTD



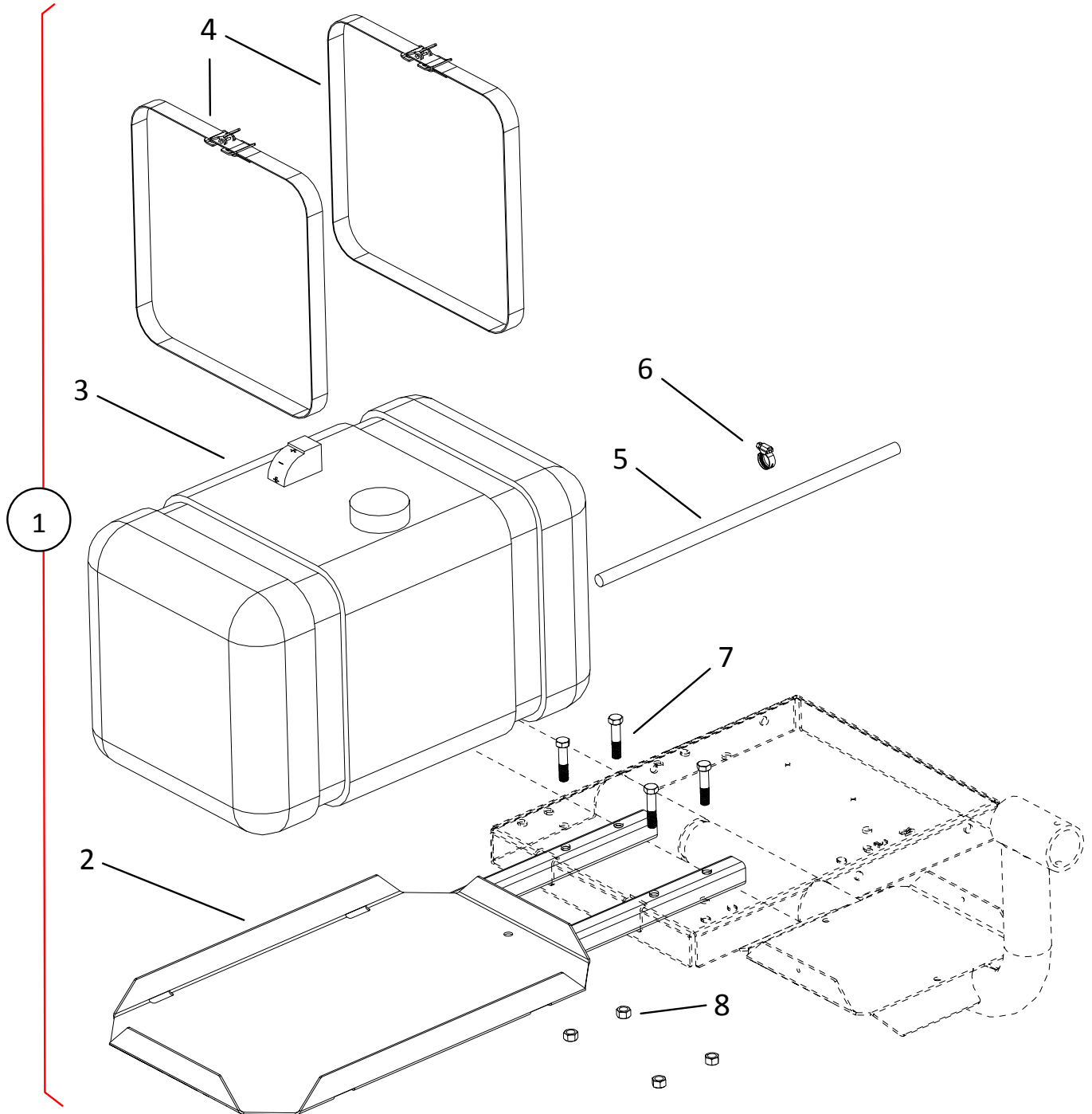
DRIVE COMPONENTS

ITEM	PART NO.	DESCRIPTION
1	10-23217	GEARBOX ASSEMBLY
2	10-29676	GEARBOX
3	10-23218	GEARBOX MOUNT PLATE
4	10-19950	PULLEY, 15" X 1-1/4" DOUBLE (8" & 10" X 31'/36'/41' ONLY)
4	10-19933	PULLEY, 15 X 1.25, TRPL B (10" X 51' ONLY)
5	10-29890	PULLEY, 4" X 3/4" TRIPLE IDLER (8" & 10" X 31'/36'/41' ONLY)
5	10-23693	TRIPLE FLAT IDLER (10" X 51' ONLY)
6	10-23206	BELT TENSIONER CROSSMEMBER
7	10-23220	MOTOR PIVOT STAND, RH
8	10-23130	MOTOR LEVELLER TUBE
9	10-23133	LEVELLER BAR SLIDE PLATE
10	10-23681	BELT TENSIONER BAR
11	10-23695	BELT TENSIONER FRAME
12	10-23686	BELT TENSION LINK ASSY
13	10-23219	MOTOR PIVOT STAND, LH
14	10-23221	MOTOR MOUNT
15	10-23224	MOTOR LEVELLER TUBE ATTACH
16	10-23670	GEARBOX BACKPLATE ASSY
17	10-23233	GEARBOX BACKPLATE COVER ASSY
18	10-23706	BELT TENSIONER COVER ASSY
19	10-23236	BELT GUARD ASSY (GAS ONLY)
20	10-23237	FRONT BELT GUARD COVER (GAS ONLY)
21	10-23239	DRIVE PULLEY COVER ASSY
22	10-23241	DRIVE PULLEY COVER ATTACH
23	10-23242	ATTACH STAND
24	10-23243	ATTACH STAND BASE
25	10-23244	GEARBOX CHAIN COUPLER GUARD
26	10-23502	DRIVE PULLEY COVER, NO CLUTCH
27	10-23196	BELT, B210 DOUBLE BANDED (31' ONLY)
27	10-23197	BELT, B240 DOUBLE BANDED (36' ONLY)
27	10-23198	BELT, B270 DOUBLE BANDED (41' ONLY)
27	10-23199	BELT, B300 DOUBLE BANDED (46' ONLY)
27	10-23195	BELT, B330 TRIPLE BANDED (10" X 51' ONLY)
27	10-23200	BELT, B330 DOUBLE BANDED (8" X 51' ONLY)
28	10-23222	MOTOR MOUNT BASE PLATE (GAS ONLY)
28	10-23672	HONDA MOTOR MOUNT PLATE (GAS ONLY)
29	10-23714	BELT TENSIONER HANDLE ASSY
30	10-23715	BELT TENSIONER HANDLE
31	10-28856	LOCK PIN
32	0200007-4	HANDLE GRIP, 7/8"
33	10-28645	COMPRESSION SPRING (SINGLE)
34	10-28726	SLOTTED SPRING PIN 3/16 X 1-1/2 PLN
35	10-29755	PLASTIC MANUAL HOLDER
36	05-A122	PULLEY, 4.2 X 1-1/8, DBL (GAS ONLY) (8" & 10" X 31'/36'/41' ONLY)
36	05-A268	PULLEY, 4.2 X 1-1/8, TRPL (GAS ONLY) (10" X 51' ONLY)
37	10-23712	OUTER LINK ADJUST
38	10-19674	COUPLER, 1-1/4" BOLT X 1" KEY
39	0103417	RUBBER MOTOR MOUNT (GAS ONLY)
40	10-23690	IDLER SPACER BUSHING, LARGE
41	10-23700	BELT TENSION PLATE

DRIVE COMPONENTS

ITEM	PART NO.	DESCRIPTION
42	10-23682	TENSION LINK BUSHING
43	10-23677	2 BELT TENSION ASSEMBLY (8" & 10" X 31'/36'/41' ONLY)
43	10-23676	3 BELT TENSION ASSEMBLY (10" X 51' ONLY)
44	10-23684	BELT TENSIONER THD ROD
45	10-23716	BELT TENSION ADJUST
46	10-23680	IDLER SPACER BUSHING, SMALL
47	10-23694	1-1/8" EXTERNAL SNAP RING
48	10-28263	3/4" X 6" BOLT GR5 PLATED
49	10-27981	3/8" X 3" NC BOLT GR 5 PLTD
50	10-27788	5/16" X 1-1/2" NC BOLT GR 5 PLTD
51	2300022	5/16" X 3" UNC BOLT GR5 PLTD
52	9900800	1/4" X 3/4" NC BOLT GR 5 PLTD
53	10-22937	3/8X1-3/4 CARRIAGE BOLT UNC GR5 PL
54	10-19542	7/16" X 1" NC BOLT GR 5 PLTD
55	10-19540	3/8" X 3/4" NC BOLT GR 5 PLTD
56	10-19604	3/8" LOCK WASHER PLTD
57	10-19605	1/2" LOCK WASHER PLTD
58	10-28485	7/16" SAE WASHER PLTD
59	9900683	1/4" FLAT WASHER PLTD
60	10-17402	3/8" NC NYLON LOCKNUT PLTD
61	10-19598	7/16" NC NYLON LOCKNUT GR 2 PLTD
62	10-19601	3/4" NC NYLON LOCKNUT PLTD
63	10-19980	5/16" NC NYLON LOCKNUT PLTD
64	10-19599	1/2" NC NYLON LOCKNUT GR 2 PLTD
65	10-28449	1/4" NC NYLON LOCKNUT PLTD
66	10-19541	3/8" X 2-3/4" NC BOLT GR 2 PLTD
67	10-22550	RIVNUT 3/8-16 UNC
68	10-18948	3/4" RIM WASHER PLTD
69	10-17392	3/8" FLAT WASHER PLTD
70	9900980	3/8" X 1-1/4" CARRIAGE BOLT GR5 PLT
71	9900694	3/8" X 1-1/2" UNC HEX BOLT GR5 PLT
72	10-19979	3/4" FLAT WASHER PLTD
73	10-19596	3/8" NC SERRATED FLANGE NUT PLTD
74	10-18698	7/16" X 1-1/4" NC BOLT GR 8 PLTD
75	10-18955	3/8" X 1" NC BOLT GR 5 PLTD
76	10-19231	1/2" X 1" NC BOLT GR 5 PLTD
77	10-17854	1/4" X 2-1/2" SQUARE KEY
78	10-28448	UBOLTSQ1/4NCX8-1/4X9-3/4X4THDGR5PLT
79	10-18185	ASF\0621 RIVET (LARGE FLANGE)
80	10-19224	1/4" X 1" WOODRUFF KEY PLAIN
81	10-19607	KEY, 1/4" X 3" SQ
82	10-27336	5/16" FLAT WASHER PLTD
83	10-19546	7/16" X 3" NC BOLT GR 5 PLTD
84	10-23513	3/8" X 5" NC BOLT GR 5 PLTD
85	10-20207	37" SINGLE BATTERY CABLE (NOT SHOWN)

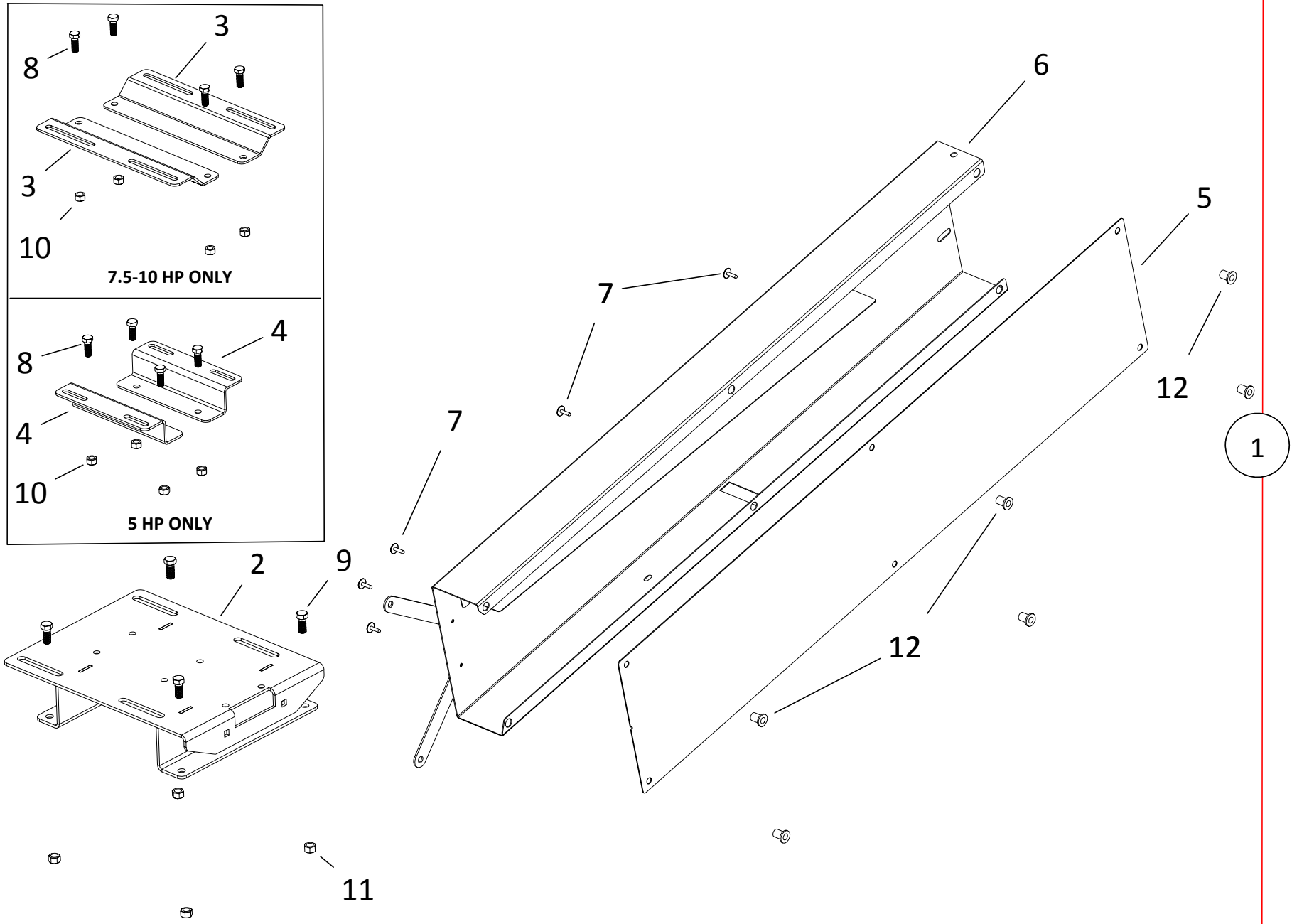
GAS TANK KIT (A388)



GAS TANK KIT (A388)

ITEM	PART NO.	DESCRIPTION
1	05-A388	GAS TANK KIT
2	10-23223	GAS TANK MOUNT
3	10-23121	FUEL TANK (TALL), 12 GALLON
4	10-23122	STRAP, NYLON - 54" W/SPRING BUCKLE
5	10-23516	FUEL HOSE, 1/4" X 30"
6	1200024	1/4" HOSE CLAMP
7	10-19545	7/16" X 2-1/4" NC BOLT GR 8 PLTD
8	10-19598	7/16" NC NYLON LOCKNUT GR 2 PLTD

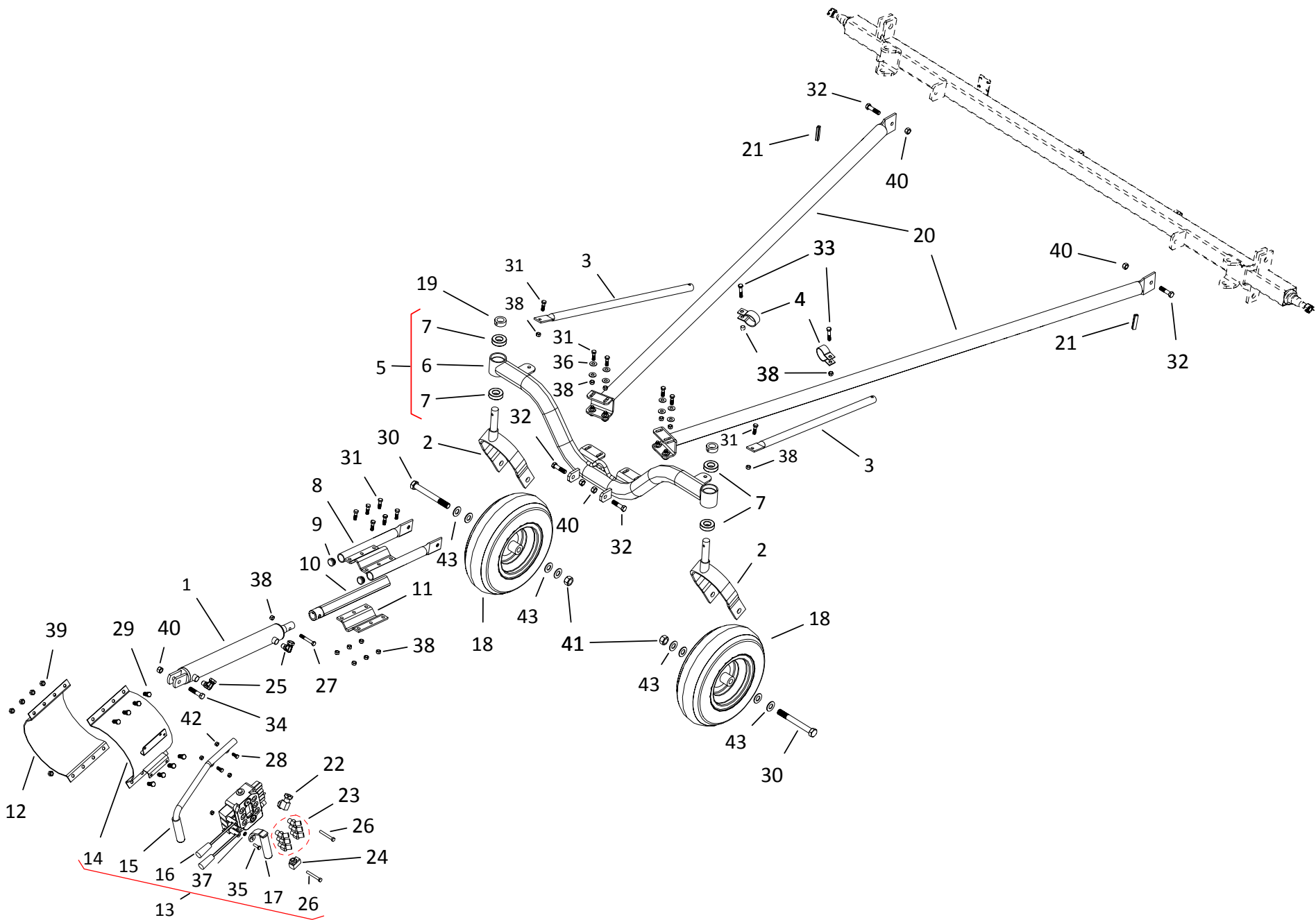
ELECTRIC DRIVE KIT (A390)



ELECTRIC DRIVE KIT (A390)

ITEM	PART NO.	DESCRIPTION
1	05-A390	EMD KIT
2	10-23624	EMD MOTOR MOUNT
3	10-23627	NEMA 213T/215T OFFSET BRACKET (7.5-10 HP ONLY)
4	10-23628	NEMA 182T/184T OFFSET BRACKET (5 HP ONLY)
5	10-23629	EMD FRONT BELT GUARD COVER
6	10-23631	EMD BELT GUARD ASSY, FRONT
7	10-18185	ASF\0621 RIVET (LARGE FLANGE)
8	10-18955	3/8" X 1" NC BOLT GR 5 PLTD
9	10-19542	7/16" X 1" NC BOLT GR 5 PLTD
10	10-17402	3/8" NC NYLON LOCKNUT PLTD
11	10-19598	7/16" NC NYLON LOCKNUT GR 2 PLTD
12	10-22550	RIVNUT 3/8-16 UNC

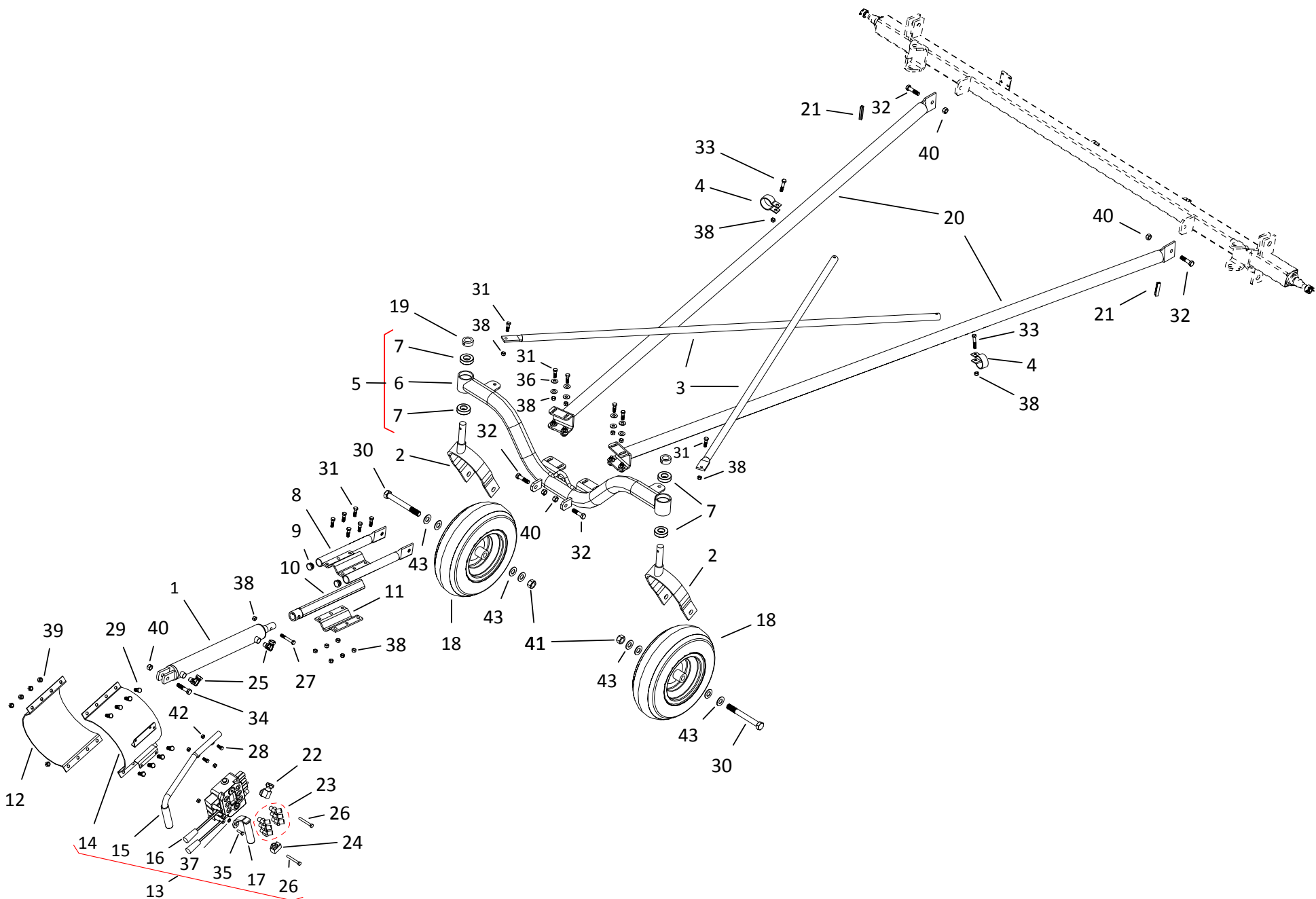
SP KIT FRAME COMPONENTS (31 & 36 ft)



SP KIT FRAME COMPONENTS (31 & 36 ft)

ITEM	PART NO.	DESCRIPTION
1	10-28179	HYD CYLINDER
2	10-28168	WHEEL YOKE, W/COLLAR
3	10-23630	CROSS BRACE PIPE
4	10-28174	CROSS BRACE CLAMPBAND
5	0200322	WHEEL V FRAME ASSY, W/BRGS,NARROW
6	0200322A	WHEEL V FRAME ASSY, NARROW, NO BRGS
7	10-28176	BALL BEARING, 1" ID
8	10-23265	SP RAM MOUNT
9	9900339	1" ROUND POLY PLUG
10	10-23696	RAM EXT PIPE, 12"
11	10-29747	RAM MOUNT A-FRAME CLAMP
12	10-29750	8" HALF CLAMP (8" ONLY)
12	10-29773	10" HALF CLAMP (10" ONLY)
13	10-29757	8" HALF CLAMP VALVE MOUNT W/VALVE (8" ONLY)
13	10-29776	10" HALF CLAMP VALVE MOUNT W/VALVE (10" ONLY)
14	10-29756	8" HALF CLAMP VALVE MOUNT (8" ONLY)
14	10-29775	10" HALF CLAMP VALVE MOUNT (10" ONLY)
15	10-28218	BAR HANDLE
16	10-28505	3 SPOOL VALVE ONLY
17	10-28219	CONTROL HANDLE
18	10-28169	WHEEL & TIRE
19	10-28177	COLLAR, 1"
20	10-23260	SP REACH ARM (31' ONLY)
20	10-23261	SP REACH ARM (36' ONLY)
21	10-23616	EDGE TRIM, 2-1/4"
22	10-20104	STEEL ELBOW, 90, 10 MORB X 1/2 NSPM
23	10-28504	STEEL ELBOW, 45, 6 MORB X 6 MJIC
24	10-28654	STEEL ELBOW, 90, 8 MORB X 8 FNPTX
25	10-28757	STEEL ELBOW, 90, 6 MNPT X 6 FNPSM
26	10-17631	5/16" X 2-1/2" NC BOLT GR 2 PLTD.
27	10-18699	3/8" X 2-1/2" NC BOLT GR 5 PLTD
28	10-19538	5/16" X 3/4" NC BOLT GR 2 PLTD
29	10-18698	7/16" X 1-1/4" NC BOLT GR 8 PLTD
30	10-19593	3/4" X 6-1/2" NC BOLT GR 8 PLTD
31	10-19975	3/8" X 1-1/4" NC BOLT GR 5 PLTD
32	10-19974	1/2" X 1-3/4" NC BOLT GR 8 PLTD
33	10-27979	3/8" X 2" NC BOLT GR 5 PLTD
34	9900560	1/2" X 2-1/4" NC BOLT GR 5 PLTD
35	9900852	M8 X 1.25 X 25 GR 8.8 BOLT PLT
36	10-17392	3/8" FLAT WASHER PLTD
37	10-19603	5/16" LOCK WASHER PLTD
38	10-17402	3/8" NC NYLON LOCKNUT PLTD
39	10-19598	7/16" NC NYLON LOCKNUT GR 2 PLTD
40	10-19599	1/2" NC NYLON LOCKNUT GR 2 PLTD
41	10-19601	3/4" NC NYLON LOCKNUT PLTD
42	10-19980	5/16" NC NYLON LOCKNUT PLTD
43	10-19979	3/4" FLAT WASHER PLTD

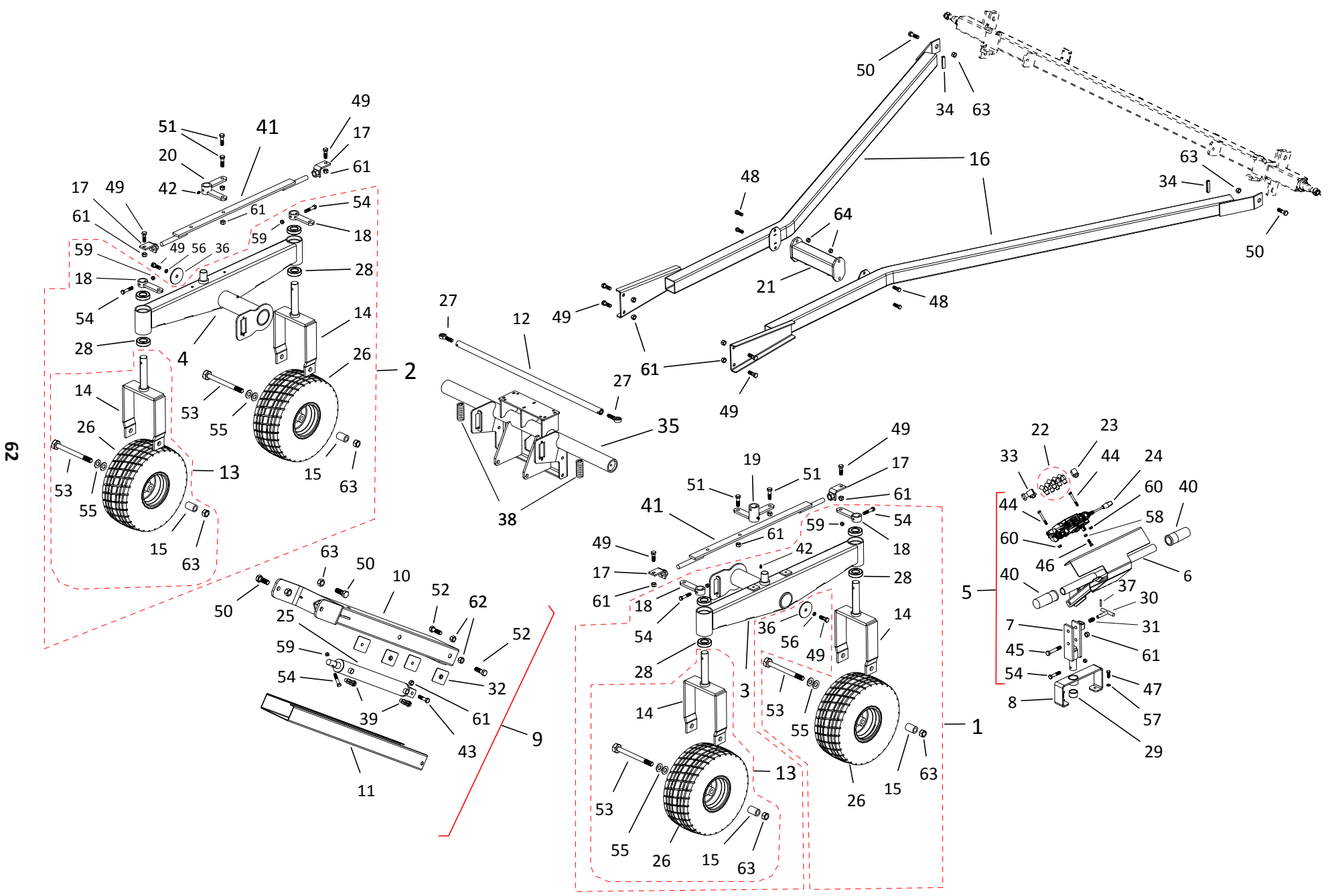
SP KIT FRAME COMPONENTS (41, 46 & 51 ft)



SP KIT FRAME COMPONENTS (41, 46 & 51 ft)

ITEM	PART NO.	DESCRIPTION
1	10-28179	HYD CYLINDER
2	10-28168	WHEEL YOKE, W/COLLAR
3	10-28199	Cross brace pipe
4	10-28174	CROSS BRACE CLAMPBAND
5	0200322	WHEEL V FRAME ASSY, W/BRGS,NARROW
6	0200322A	WHEEL V FRAME ASSY, NARROW, NO BRGS
7	10-28176	BALL BEARING, 1" ID
8	10-23265	SP RAM MOUNT
9	9900339	1" ROUND POLY PLUG
10	10-23696	RAM EXT PIPE, 12" (41' ONLY)
10	10-23697	RAM EXT PIPE, 15-1/2" (46' ONLY)
10	10-23698	RAM EXT PIPE, 32-1/2" (51' ONLY)
11	10-29747	RAM MOUNT A-FRAME CLAMP
12	10-29750	8" HALF CLAMP (8" ONLY)
12	10-29773	10" HALF CLAMP (10" ONLY)
13	10-29757	8" HALF CLAMP VALVE MOUNT W/VALVE (8" ONLY)
13	10-29776	10" HALF CLAMP VALVE MOUNT W/VALVE (10" ONLY)
14	10-29756	8" HALF CLAMP VALVE MOUNT (8" ONLY)
14	10-29775	10" HALF CLAMP VALVE MOUNT (10" ONLY)
15	10-28218	BAR HANDLE
16	10-28505	3 SPOOL VALVE ONLY
17	10-28219	CONTROL HANDLE
18	10-28169	WHEEL & TIRE
19	10-28177	COLLAR, 1"
20	10-23262	SP REACH ARM (41' ONLY)
20	10-23263	SP REACH ARM (46' ONLY)
20	10-23264	SP REACH ARM (51' ONLY)
21	10-23616	EDGE TRIM, 2-1/4"
22	10-20104	STEEL ELBOW, 90, 10 MORB X 1/2 NSPM
23	10-28504	STEEL ELBOW, 45, 6 MORB X 6 MJIC
24	10-28654	STEEL ELBOW, 90, 8 MORB X 8 FNPTX
25	10-28757	STEEL ELBOW, 90, 6 MNPT X 6 FNPSM
26	10-17631	5/16" X 2-1/2" NC BOLT GR 2 PLTD.
27	10-18699	3/8" X 2-1/2" NC BOLT GR 5 PLTD
28	10-19538	5/16" X 3/4" NC BOLT GR 2 PLTD
29	10-18698	7/16" X 1-1/4" NC BOLT GR 8 PLTD
30	10-19593	3/4" X 6-1/2" NC BOLT GR 8 PLTD
31	10-19975	3/8" X 1-1/4" NC BOLT GR 5 PLTD
32	10-19974	1/2" X 1-3/4" NC BOLT GR 8 PLTD
33	10-27979	3/8" X 2" NC BOLT GR 5 PLTD
34	9900560	1/2" X 2-1/4" NC BOLT GR 5 PLTD
35	9900852	M8 X 1.25 X 25 GR 8.8 BOLT PLT
36	10-17392	3/8" FLAT WASHER PLTD
37	10-19603	5/16" LOCK WASHER PLTD
38	10-17402	3/8" NC NYLON LOCKNUT PLTD
39	10-19598	7/16" NC NYLON LOCKNUT GR 2 PLTD
40	10-19599	1/2" NC NYLON LOCKNUT GR 2 PLTD
41	10-19601	3/4" NC NYLON LOCKNUT PLTD
42	10-19980	5/16" NC NYLON LOCKNUT PLTD
43	10-19979	3/4" FLAT WASHER PLTD

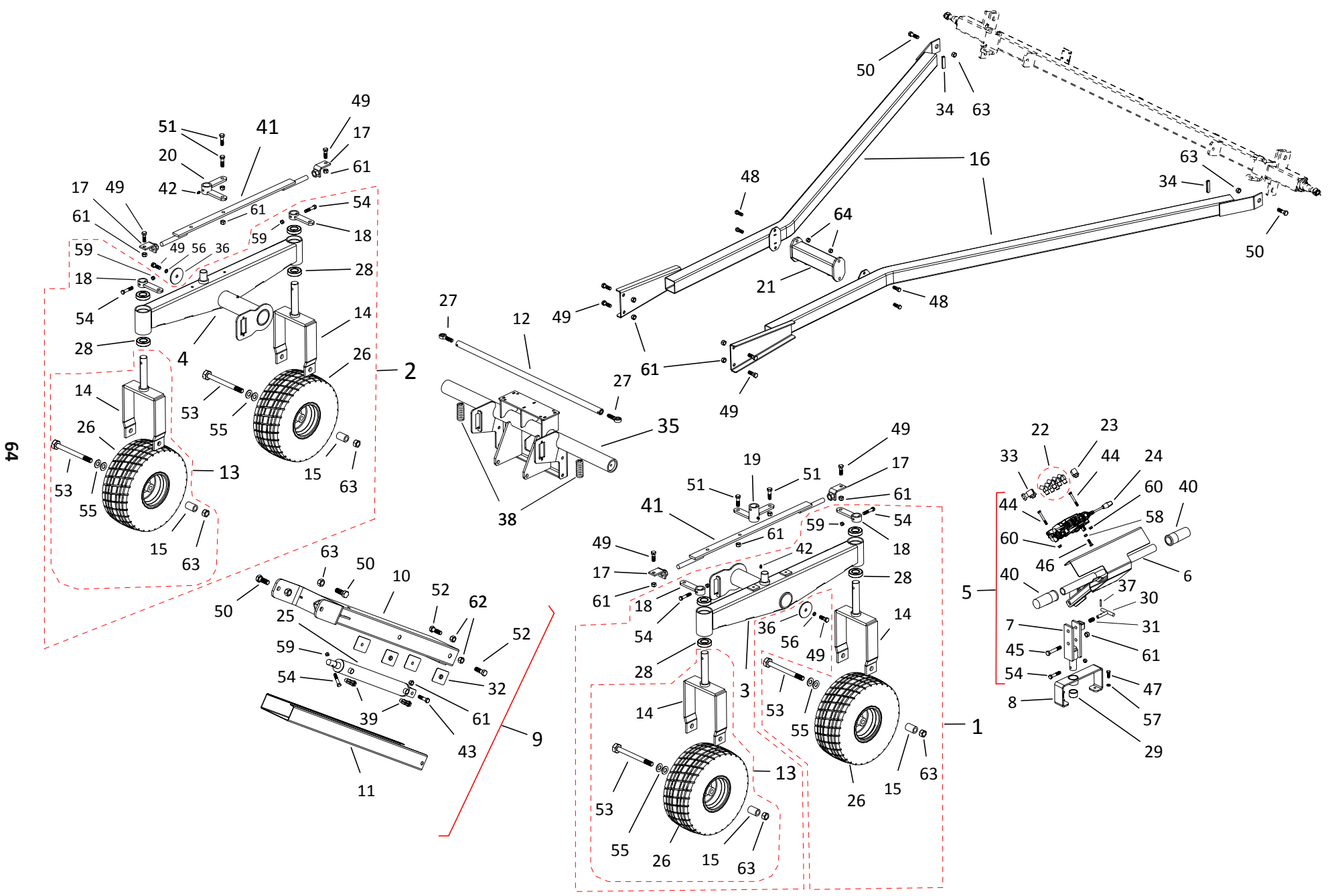
HD SP KIT FRAME COMPONENTS



HD SP KIT FRAME COMPONENTS

ITEM	PART NO.	DESCRIPTION
1	10-23561	WALKING BEAM RH W/WHEEL CASTER
2	10-23562	WALKING BEAM LH W/WHEEL CASTER
3	10-22312	WALKING BEAM, RH, W/BEARINGS, RED
4	10-22313	WALKING BEAM, LH, W/BEARINGS, RED
5	10-22318	HD STEERING HANDLE ASSEMBLY, RED (MANUAL STEERING ONLY)
6	10-22319	HD STEERING HANDLE TOP ONLY, RED (MANUAL STEERING ONLY)
7	10-22320	HD SP KIT HANDLE PIVOT, RED (MANUAL STEERING ONLY)
8	10-22322	MANUAL STEERING BUSHING BRACKET, RED (MANUAL STEERING ONLY)
9	10-22324	SLIDER ASSEMBLY, RED (36'/41' ONLY)
9	10-22327	SLIDER ASSEMBLY, RED (46' ONLY)
9	10-23705	SLIDER ASSEMBLY, RED (51' ONLY)
10	10-22325	UPPER SLIDER, RED (36'/41' ONLY)
10	10-22328	UPPER SLIDER, RED (46' ONLY)
10	10-23709	UPPER SLIDER, RED (51' ONLY)
11	10-22326	INNER SLIDER, RED (36'/41' ONLY)
11	10-22329	LOWER SLIDER, RED (46'/51' ONLY)
12	10-22360	MANUAL STEERING SHAFT ASSY, RED (MANUAL STEERING ONLY)
13	10-22366	HD WHEEL CASTER ASSEMBLY, RED
14	10-22347	HD WHEEL YOKE, RED
15	10-22365	WHEEL CASTER SPACER
16	10-23251	HD SP REACH ARM (36' ONLY)
16	10-23253	HD SP REACH ARM (41' ONLY)
16	10-23255	HD SP REACH ARM (46' ONLY)
16	10-23254	HD SP REACH ARM (51' ONLY)
17	10-22309	HD STEERING LINK END, PLATED
18	10-22314	HD CASTER STEERING LINK, RED
19	10-22358	MANUAL STEERING PIVOT RH, RED (MANUAL STEERING ONLY)
20	10-22359	MANUAL STEERING PIVOT LH, RED
21	10-23213	FRAME CROSSMEMBER
22	10-28504	STEEL ELBOW, 45, 6 MORB X 6 MJIC (MANUAL STEERING ONLY)
23	10-28654	STEEL ELBOW, 90, 8 MORB X 8 FNPTX (MANUAL STEERING ONLY)
24	10-20773	3 SPOOL VALVE (MANUAL STEERING ONLY)
25	10-28179	HYD CYLINDER (SP KIT)
26	10-22332	TIRE ASSY,16X7.5X8 TURFMASTER
27	10-22323	BALL JOINT ROD END
28	10-22344	1654-2RS 1-1/4" BEARING
29	10-17687	BUSHING-OILITE
30	10-28856	LOCK PIN
31	10-28645	COMPRESSION SPRING (SINGLE)
32	10-22345	SLIDER WEAR PLATE
33	10-20104	STEEL ELBOW, 90, 10 MORB X 1/2 NSPM (MANUAL STEERING ONLY)
34	10-23616	EDGE TRIM, 2-1/4"
35	10-22311	AXLE, HD MOVER, RED
36	0202005	END CAP,AXLE,2-7/8X9/16X3/16
37	10-28726	SLOTTED SPRING PIN 3/16 X 1-1/2 PLN
38	10-21092	SUPPORT SPRING
39	10-28757	STEEL ELBOW 90, 6MNPT X 6FNPSM
40	10-28722	5" BLACK HANDLE GRIP
41	10-22310	HD STEERING LINK, RED
42	10-19222	GREASE FTG ZERK 1/4-28 SAE CZ PLTD

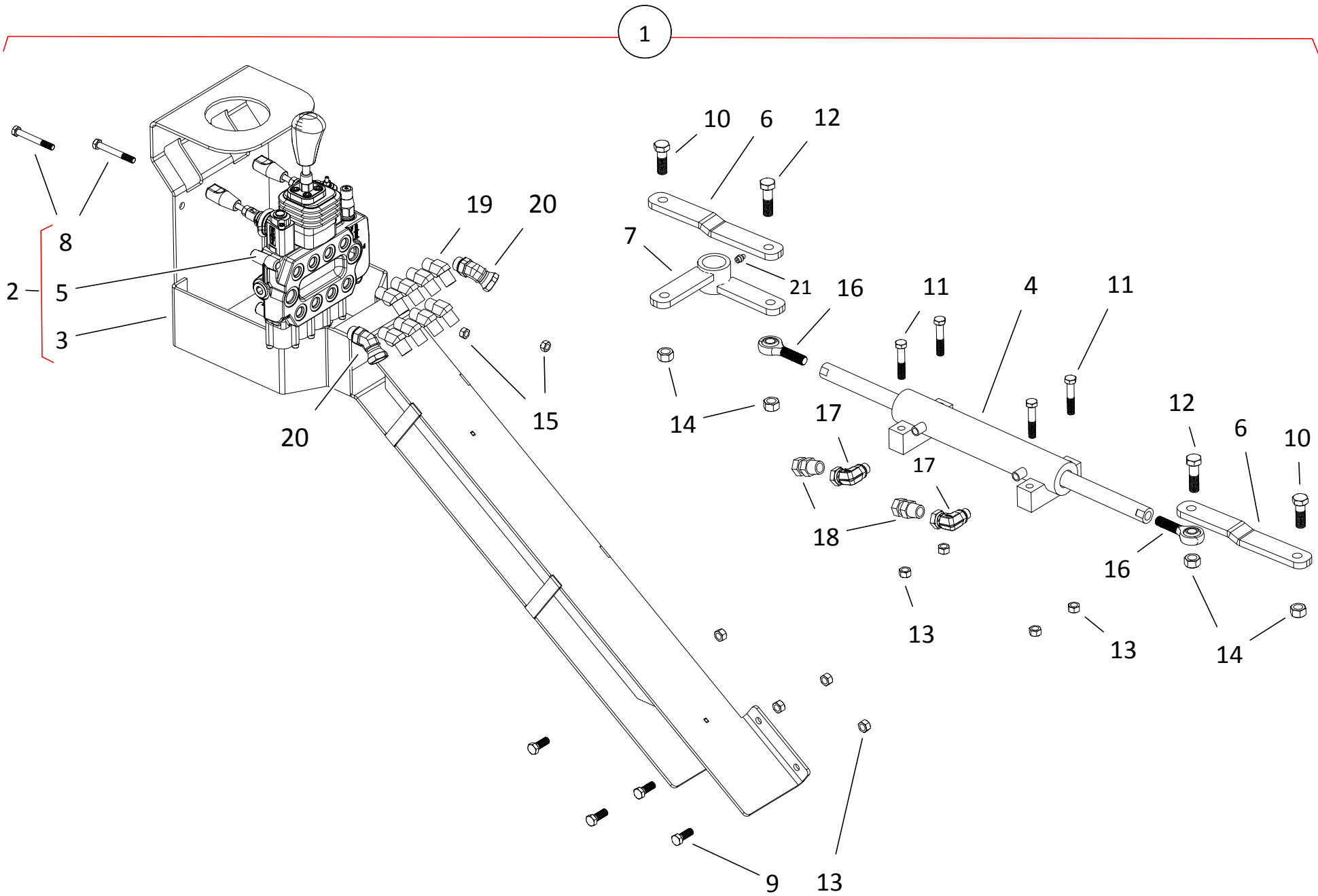
HD SP KIT FRAME COMPONENTS



HD SP KIT FRAME COMPONENTS

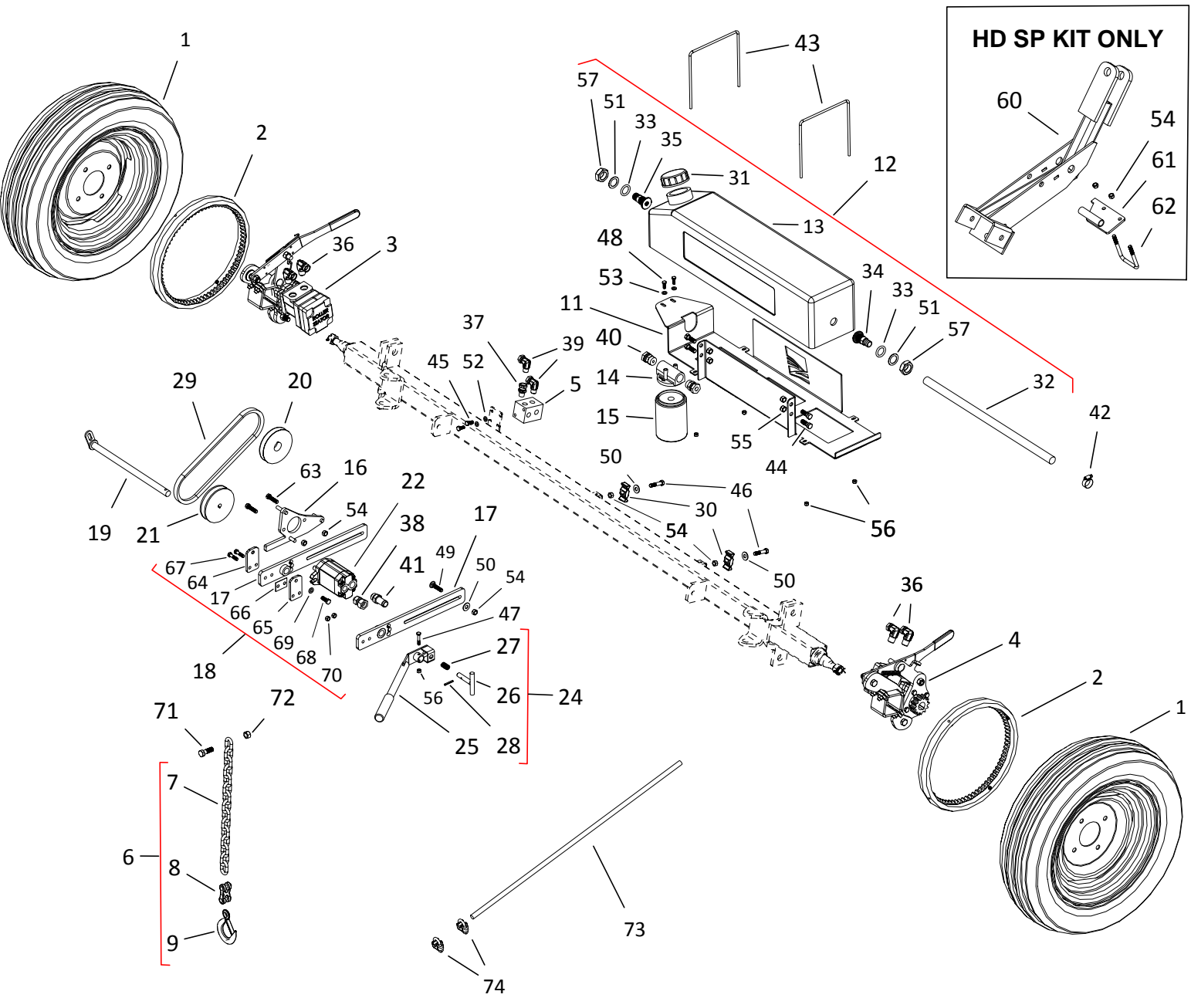
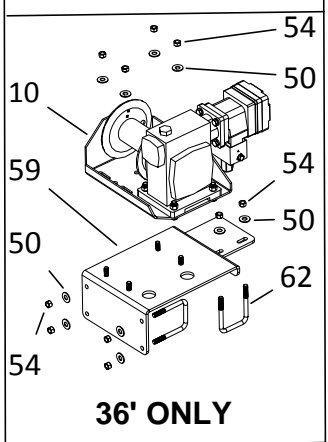
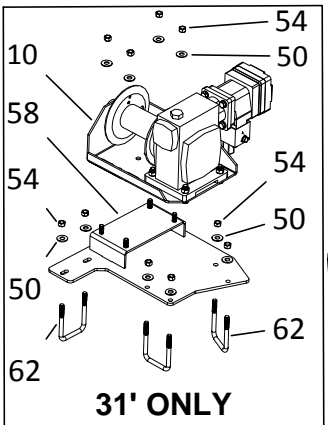
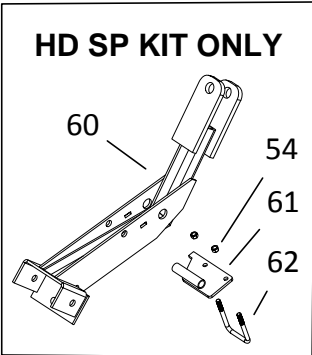
ITEM	PART NO.	DESCRIPTION
43	9900560	1/2" X 2-1/4" NC BOLT GR 5 PLTD
44	10-17631	5/16" X 2-1/2" NC BOLT GR 2 PLTD.
45	10-17762	1/2" X 3" NC BOLT GR 5 PLTD
46	10-18091	5/16" X 1" NC BOLT GR 2 PLTD
47	10-18955	3/8" X 1" NC BOLT GR 5 PLTD
48	10-18698	7/16" X 1-1/4" NC BOLT GR 8 PLTD
49	10-19589	1/2" X 1-1/2" NC BOLT GR 8 PLTD
50	10-19592	3/4" X 2" NC BOLT GR 8 PLTD
51	10-19974	1/2" X 1-3/4" NC BOLT GR 8 PLTD
52	10-19991	5/8" X 2" NC BOLT GR 8 PLTD
53	10-27482	3/4" X 8-1/2" NC BOLT GR 8 PLTD
54	10-28745	3/8" X 2-1/4" NC BOLT GR 5 PLTD
55	10-19979	3/4" FLAT WASHER PLTD
56	10-19605	1/2" LOCK WASHER PLTD
57	10-19604	3/8" LOCK WASHER PLTD
58	10-19980	5/16" NC NYLON LOCKNUT PLTD
59	10-17402	3/8" NC NYLON LOCKNUT PLTD
60	10-19595	5/16" NC SERRATED FLANGE NUT PLTD
61	10-19599	1/2" NC NYLON LOCKNUT GR 2 PLTD
62	10-19600	5/8" NC NYLON LOCKNUT PLTD
63	10-19601	3/4" NC NYLON LOCKNUT PLTD
64	10-19598	7/16" NC NYLON LOCKNUT GR 2 PLTD

HD HYDRAULIC STEERING OPTION KIT (A332)



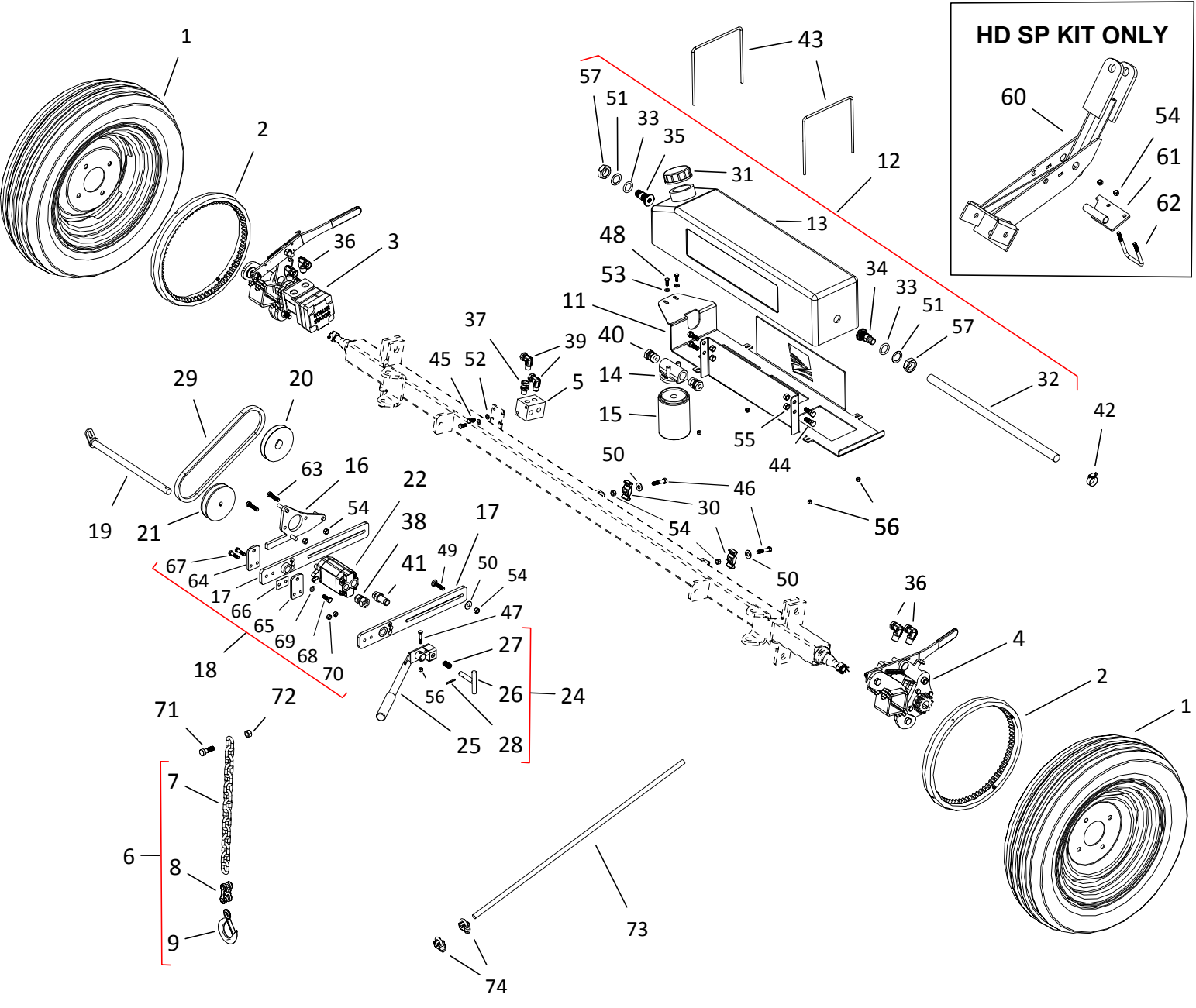
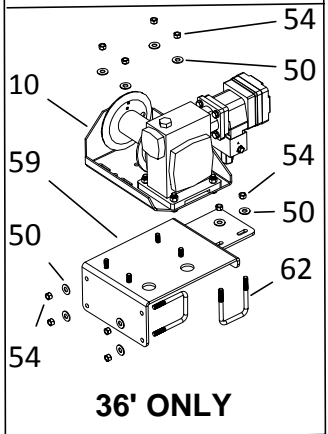
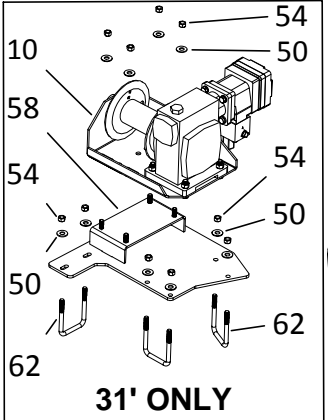
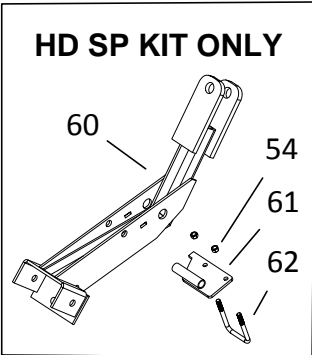
HD HYDRAULIC STEERING OPTION KIT (A332)

ITEM	PART NO.	DESCRIPTION
1	05-A332	HD HYD STEERING OPTION
2	10-23080	HYD STEERING CONTROL ARM ASSEMBLY
3	10-22438	HYD STEERING CONTROL ARM, RED
4	10-22440	HYD CYLINDER DOUBLE, 1-1/2 X 5-5/8
5	10-22441	VALVE-4SPL W/ JOYSTICK W/ 4 HANDLES
6	10-22439	HYD CYLINDER LINK, RED
7	10-22445	HYD STEERING PIVOT ASSY, RH RED
8	10-17631	5/16" X 2-1/2" NC BOLT GR 2 PLTD
9	10-18955	3/8" X 1" NC BOLT GR 5 PLTD
10	10-19589	1/2" X 1-1/2" NC BOLT GR 8 PLTD
11	10-27979	3/8" X 2" NC BOLT GR 5 PLTD
12	10-19974	1/2" X 1-3/4" NC BOLT GR 8 PLTD
13	10-17402	3/8" NC NYLON LOCKNUT PLTD
14	10-19599	1/2" NC NYLON LOCKNUT GR 2 PLTD
15	10-19980	5/16" NC NYLON LOCKNUT PLTD
16	10-22323	BALL JOINT ROD END
17	10-22191	ELBOW, 90, 6 MORB X 3/8 NSPM
18	10-21878	ADAPTER, ORIFICE #6 MNPT X #6 FPTS
19	10-28504	ELBOW, 45, 6 MORB X 6 MJIC
20	10-23201	ELBOW, 45, 8 MORB X 1/2" FNPSM
21	10-19222	GREASE FTG ZERK 1/4-28 SAE CZ PLTD



SP KIT PARTS

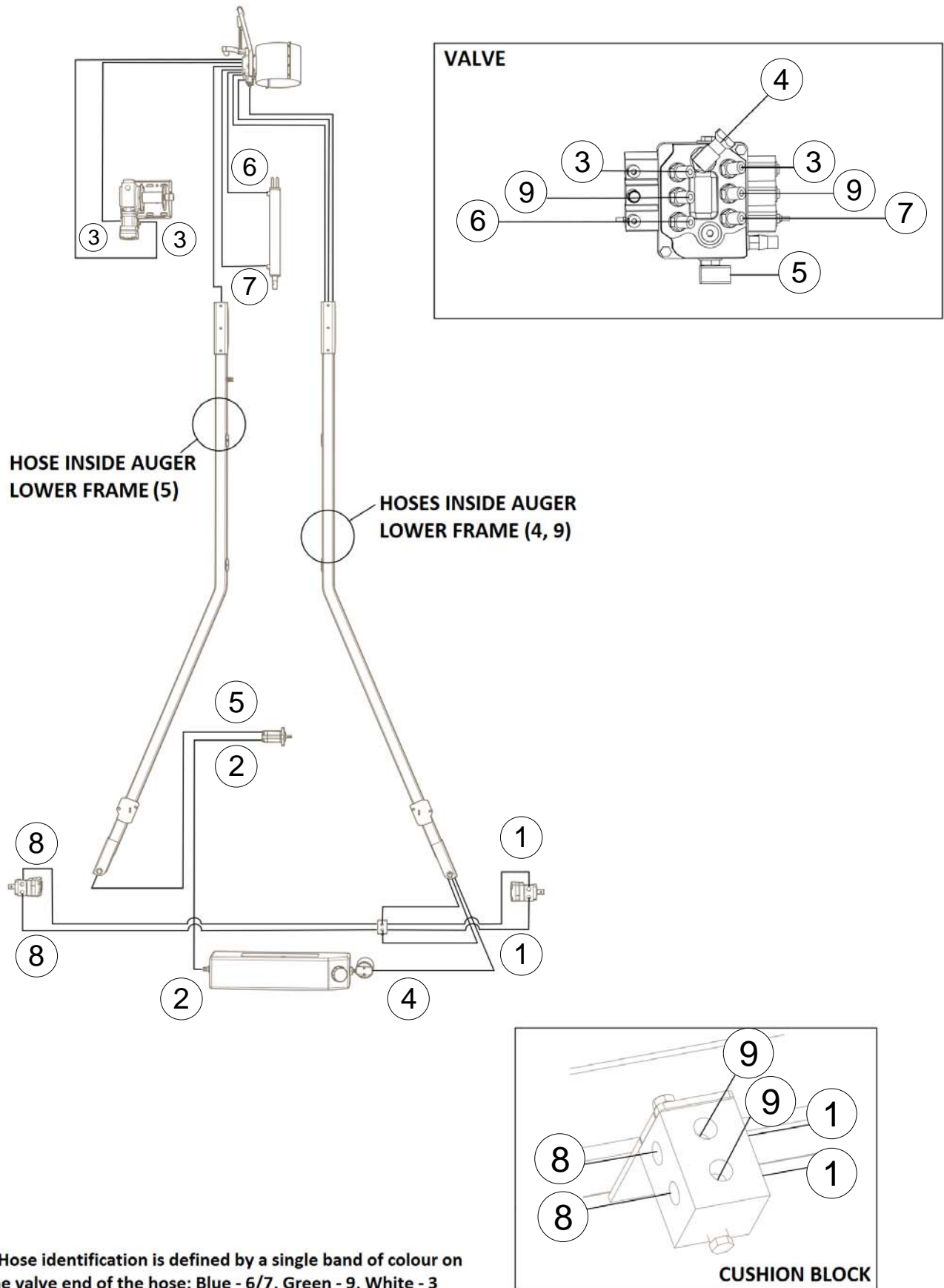
ITEM	PART NO.	DESCRIPTION
1	10-22289	15 X 4.5 X 4 BOLT WHEEL W/ RING GEAR
2	10-28175	RING GEAR WITH 4 SET SCREWS
3	0200015EL	OC ASSY COMPLETE W/MTR/PIN LH
4	0200015ER	OC ASSY COMPLETE W/MTR/PIN RH
5	10-28180	CUSHION BLOCK
6	10-22796	TRANSPORT CHAIN ASSY 15 LINK
7	10-22795	5/16 GRADE 30 CHAIN X 15 LINK, PLTD
8	10-20083	5/16" MID LINK
9	10-28997	1/2T EYE HOIST HOOK W/ LATCH
10	10-23515	HYD WINCH ASSY, RED
11	10-23131	PLATE, TANK MOUNT - 22L
12	10-23226	HYD TANK ASSY, 22L BLACK
13	9900052B-1	22L TANK (BLACK)
14	9900993	FILTER HEAD, INLINE, 3/4" FNPT
15	9900994	FILTER HYD, 10 MICRON, 3/4"
16	10-23212	HYDRAULIC PUMP SLIDER
17	10-23227	MOTOR BASE PLATE SLIDER
18	10-23228	SLIDER ATTACH
19	10-23211	HYDRAULIC PUMP CROSS BAR
20	10-28061	PULLEY, 4-1/2 X 1-1/8, SINGLE
21	10-28200	PULLEY, 4.5 X 0.5, SINGLE
22	10-28205	HYDRAULIC PUMP
24	10-23209	HYDRAULIC PUMP HANDLE ASSEMBLY
25	10-23210	HYDRAULIC PUMP HANDLE
26	10-28856	LOCK PIN
27	10-28645	COMPRESSION SPRING (SINGLE)
28	10-28726	SLOTTED SPRING PIN 3/16 X 1-1/2 PLN
29	10-23673	BX31 BELT (NOTCHED BELT)
30	10-28732	LINE BLOCK
31	1200011	CAP, 22/35L GAS TANK
32	10-29389	HYDRAULIC HOSE, 3/8" X 18"
33	9900240	O-RING, #318
34	9900021	ALUM FITTING FOR OIL RESERVOIR
35	9900232A	FITTING, 1" BLKHD X 1/2 MNPT X 3/8 FNPT
36	10-22557	STEEL ELBOW, 8 MNPT X 6 FNPSM
37	10-23249	STEEL FITTING, 3/8" MNPT X 3/8" FNPSM
38	10-28477	STEEL FITTING, 8 MORB X 1/2 FNPSM
39	10-28757	STEEL ELBOW, 90, 6 MNPT X 6 FNPSM
40	2300053	STEEL FITTING, 3/4 MNPT X 1/2 FNPSM
41	9900203	STEEL FITTING, 3/4 HB X 10 MORB
42	9900215	#012 (3/4"HOSE) HOSE CLAMP
43	10-22390	UBOLTSQ1/4NCX7-1/4X7-5/8GR5PLT
44	10-18698	7/16" X 1-1/4" NC BOLT GR 8 PLTD
45	10-19538	5/16" X 3/4" NC BOLT GR 2 PLTD
46	10-28450	3/8" X 1-3/4" NC BOLT GRADE 5 PLTD
47	10-19985	1/4" X 1-1/2" NC BOLT GR 2 PLTD
48	9900800	1/4" X 3/4" NC BOLT GR 5 PLTD
49	10-22937	3/8X1-3/4 CARRIAGE BOLT UNC GR5 PL
50	10-17392	3/8" FLAT WASHER PLTD
51	10-18097	1" RIM WASHER PLTD



SP KIT PARTS

ITEM	PART NO.	DESCRIPTION
52	10-19603	5/16" LOCK WASHER PLTD
53	9900783	1/4" LOCKWASHER PLTD
54	10-17402	3/8" NC NYLON LOCKNUT PLTD
55	10-19598	7/16" NC NYLON LOCKNUT GR 2 PLTD
56	10-28449	1/4" NC NYLON LOCKNUT PLTD
57	9900760	NUT JAM 1 UNF PLT
58	10-23414	WINCH MOUNT (31' ONLY)
59	10-23415	WINCH ATTACH PLATE (36' ONLY)
60	10-23376	OFFSET HITCH (8" HD SP KIT ONLY)
60	10-22750	OFFSET HITCH (10" HD SP KIT ONLY)
61	10-22833	HITCH MOUNT (HD SP KIT ONLY)
62	10-28445	UBOLTSQ3/8NCX2-5/8X3-3/4X1-1/4THD
63	9900694	3/8" X 1-1/2" UNC HEX BOLT GR5 PLT
64	10-23618	THREADED SLIDER ATTACH PLATE
65	10-23619	SLIDER ATTACH PLATE
66	10-23623	SLIDER SHIM
67	10-17748	5/16" X 1-1/4" NC BOLT GR 2 PLTD
68	10-18955	3/8" X 1" NC BOLT GR 5 PLTD
69	10-19604	3/8" LOCK WASHER PLTD
70	10-19980	5/16" NC NYLON LOCKNUT PLTD
71	10-19589	1/2" X 1-1/2" NC BOLT GR 8 PLTD
72	10-19599	1/2" NC NYLON LOCKNUT GR 2 PLTD
73	10-19248	WINCH CABLE (31' ONLY)
73	10-18823	WINCH CABLE (36'/41' ONLY)
73	10-19249	WINCH CABLE (46' ONLY)
73	10-18824	WINCH CABLE (51' ONLY)
74	10-19147	1/4" CABLE CLAMP

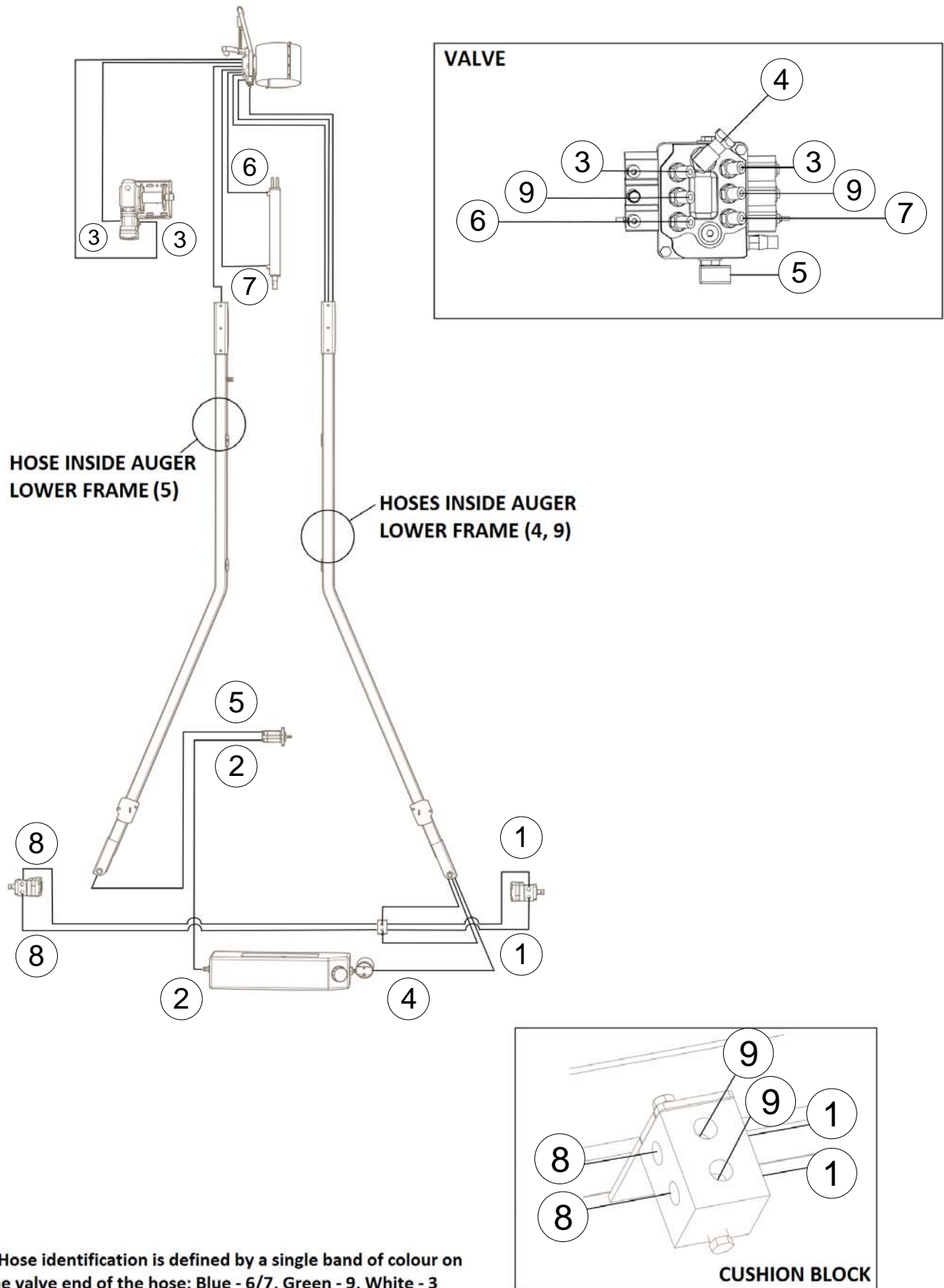
HYDRAULIC HOSES, 31 ft (SP KIT)



HYDRAULIC HOSES, 31 ft (SP KIT)

ITEM	PART NO.	DESCRIPTION
1	10-23371	HYDRAULIC HOSE, 3/8" X 18"
2	10-23372	HYDRAULIC HOSE, 3/4" X 60"
3	10-23411	HYDRAULIC HOSE, 3/8" X 54"
4	10-28245	HYDRAULIC HOSE, 1/2" X 156"
5	10-29364	HYDRAULIC HOSE, 1/2" X 173"
6	10-29378	HYDRAULIC HOSE, 3/8" X 23"
7	10-29381	HYDRAULIC HOSE, 3/8" X 33"
8	10-29443	HYDRAULIC HOSE, 3/8" X 56"
9	10-29688	HYDRAULIC HOSE, 3/8" X 152"

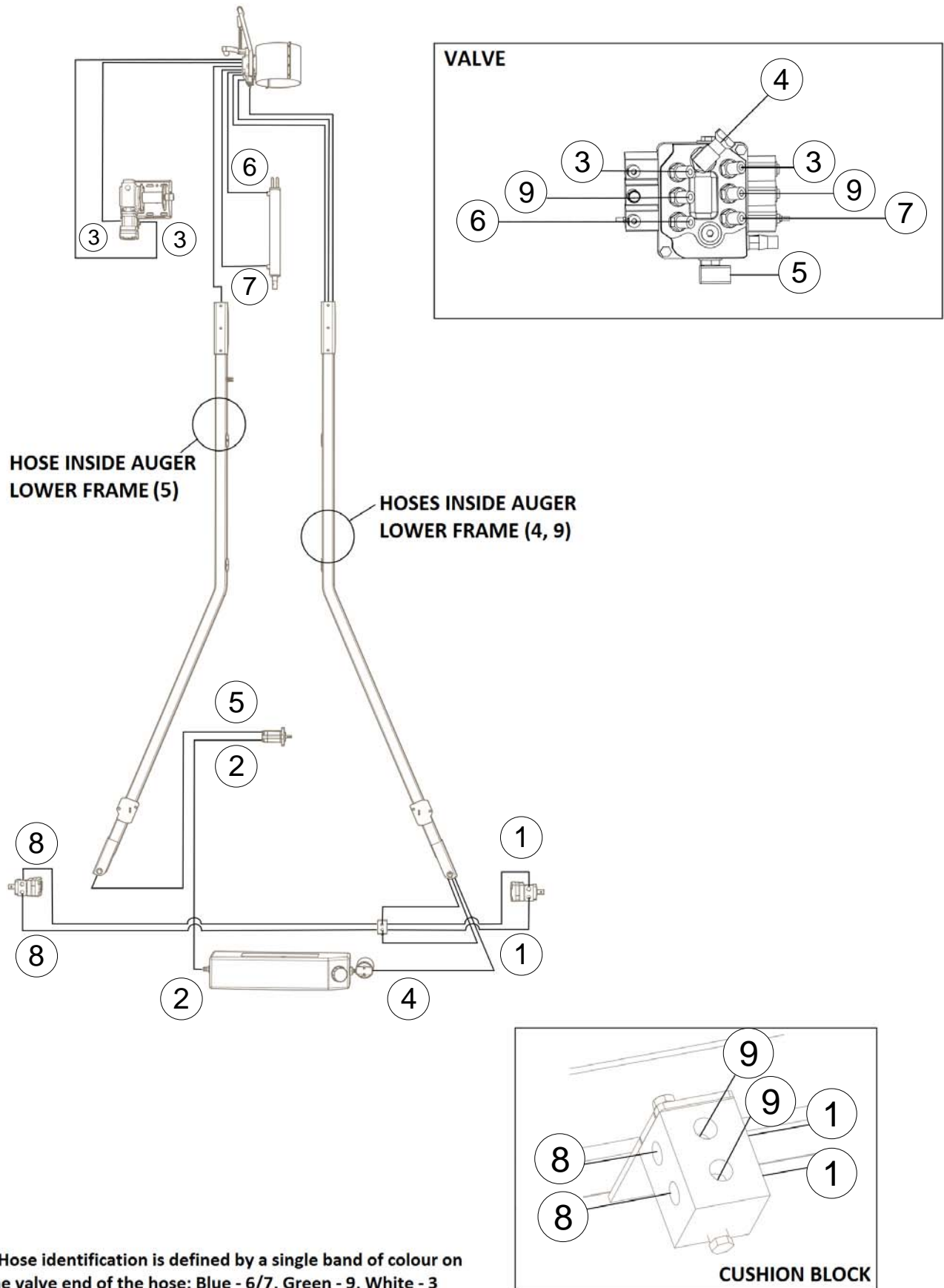
HYDRAULIC HOSES, 36 ft (SP KIT)



HYDRAULIC HOSES, 36 ft (SP KIT)

ITEM	PART NO.	DESCRIPTION
1	10-23371	HYDRAULIC HOSE, 3/8" X 18"
2	10-23372	HYDRAULIC HOSE, 3/4" X 60"
3	10-23407	HYDRAULIC HOSE, 3/8" X 84"
4	10-29516	HYDRAULIC HOSE, 1/2" X 180"
5	10-29403	HYDRAULIC HOSE, 1/2" X 192"
6	10-29378	HYDRAULIC HOSE, 3/8" X 23"
7	10-29381	HYDRAULIC HOSE, 3/8" X 33"
8	10-29443	HYDRAULIC HOSE, 3/8" X 56"
9	10-29518	HYDRAULIC HOSE, 3/8" X 168"

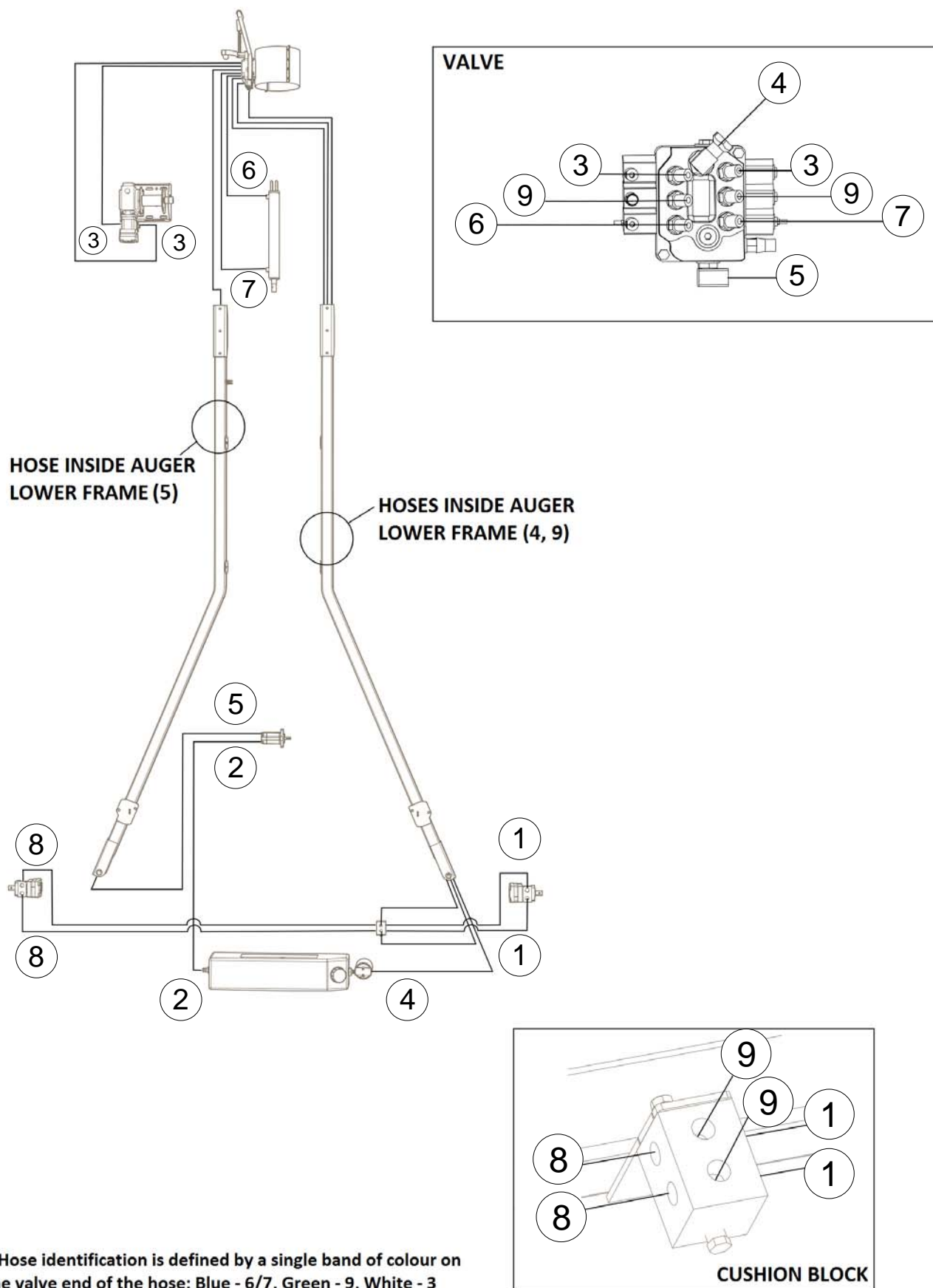
HYDRAULIC HOSES, 41 ft (SP KIT)



HYDRAULIC HOSES, 41 ft (SP KIT)

ITEM	PART NO.	DESCRIPTION
1	10-23371	HYDRAULIC HOSE, 3/8" X 18"
2	10-23372	HYDRAULIC HOSE, 3/4" X 60"
3	10-21098	HYDRAULIC HOSE, 3/8" X 100"
4	10-23406	HYDRAULIC HOSE, 1/2" X 210"
5	10-20458	HYDRAULIC HOSE, 1/2" X 220"
6	10-29378	HYDRAULIC HOSE, 3/8" X 23"
7	10-29381	HYDRAULIC HOSE, 3/8" X 33"
8	10-29443	HYDRAULIC HOSE, 3/8" X 56"
9	10-29771	HYDRAULIC HOSE, 3/8" X 206"

HYDRAULIC HOSES, 46 ft (SP KIT)

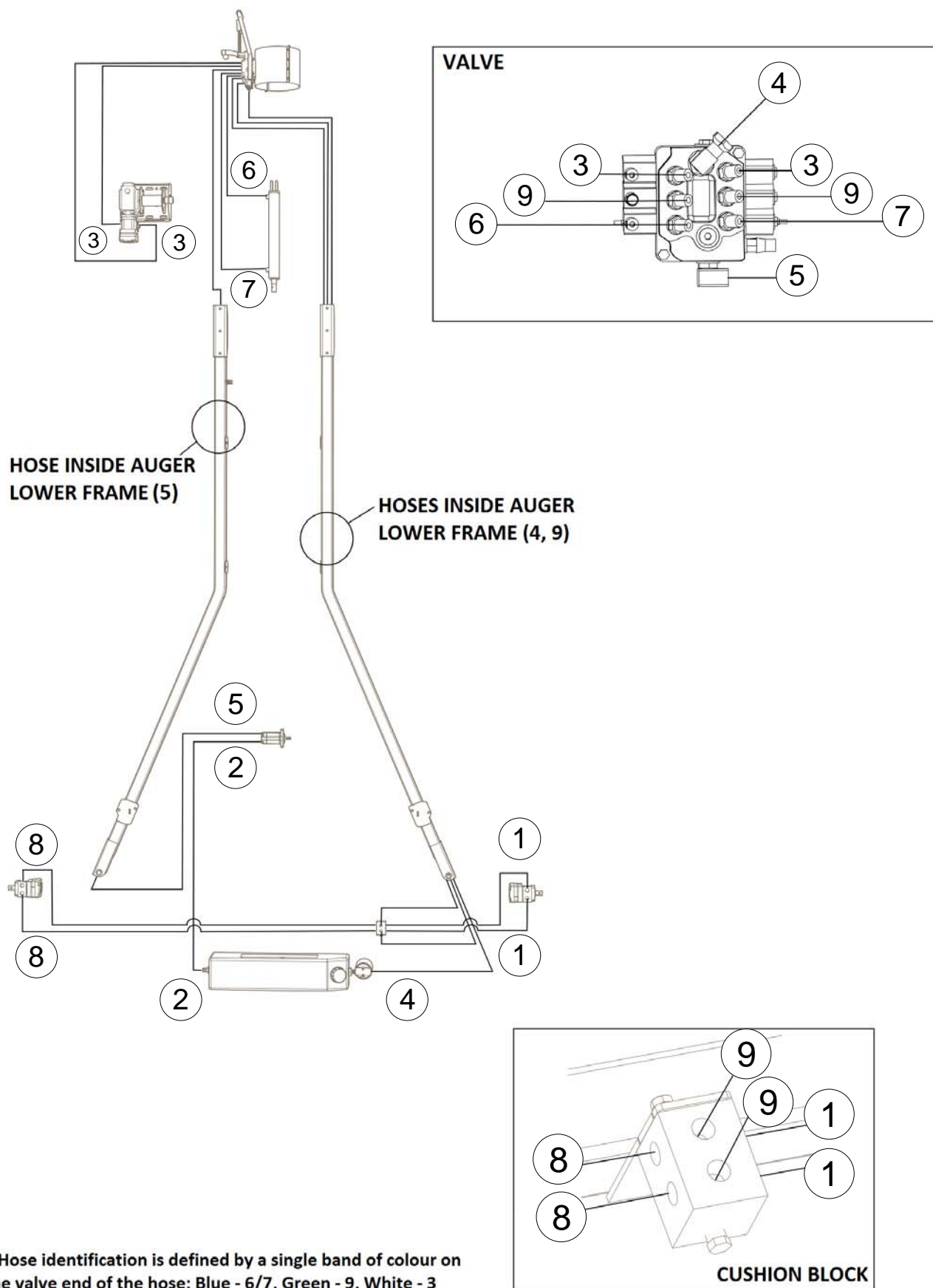


* Hose identification is defined by a single band of colour on the valve end of the hose: Blue - 6/7, Green - 9, White - 3

HYDRAULIC HOSES, 46 ft (SP KIT)

ITEM	PART NO.	DESCRIPTION
1	10-23371	HYDRAULIC HOSE, 3/8" X 18"
2	10-23372	HYDRAULIC HOSE, 3/4" X 60"
3	10-29440	HYDRAULIC HOSE, 3/8" X 108"
4	10-20037	HYDRAULIC HOSE, 1/2" X 236"
5	10-23400	HYDRAULIC HOSE, 1/2" X 252"
6	10-29407	HYDRAULIC HOSE, 3/8" X 30"
7	10-28227	HYDRAULIC HOSE, 3/8" X 46"
8	10-29443	HYDRAULIC HOSE, 3/8" X 56"
9	10-28240	HYDRAULIC HOSE, 3/8" X 235"

HYDRAULIC HOSES, 51 ft (SP KIT)

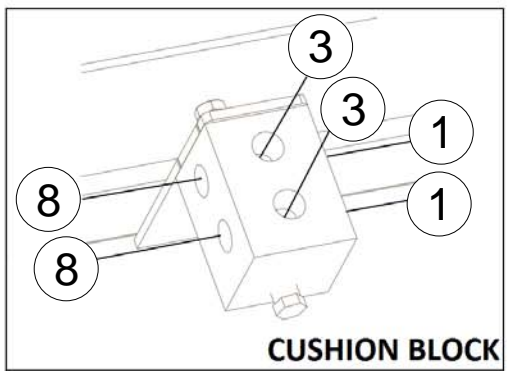
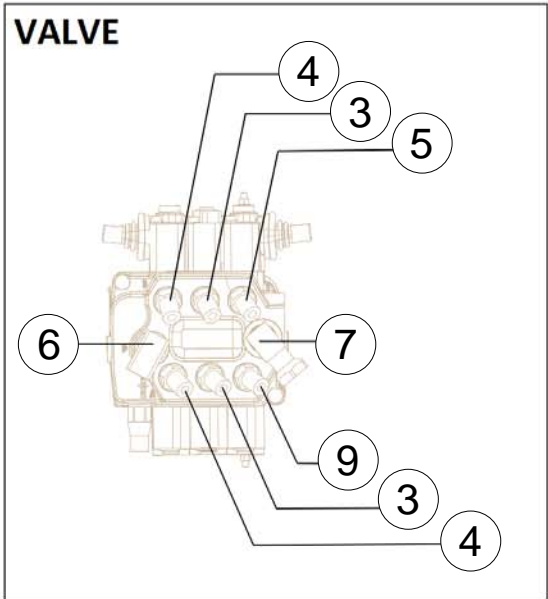
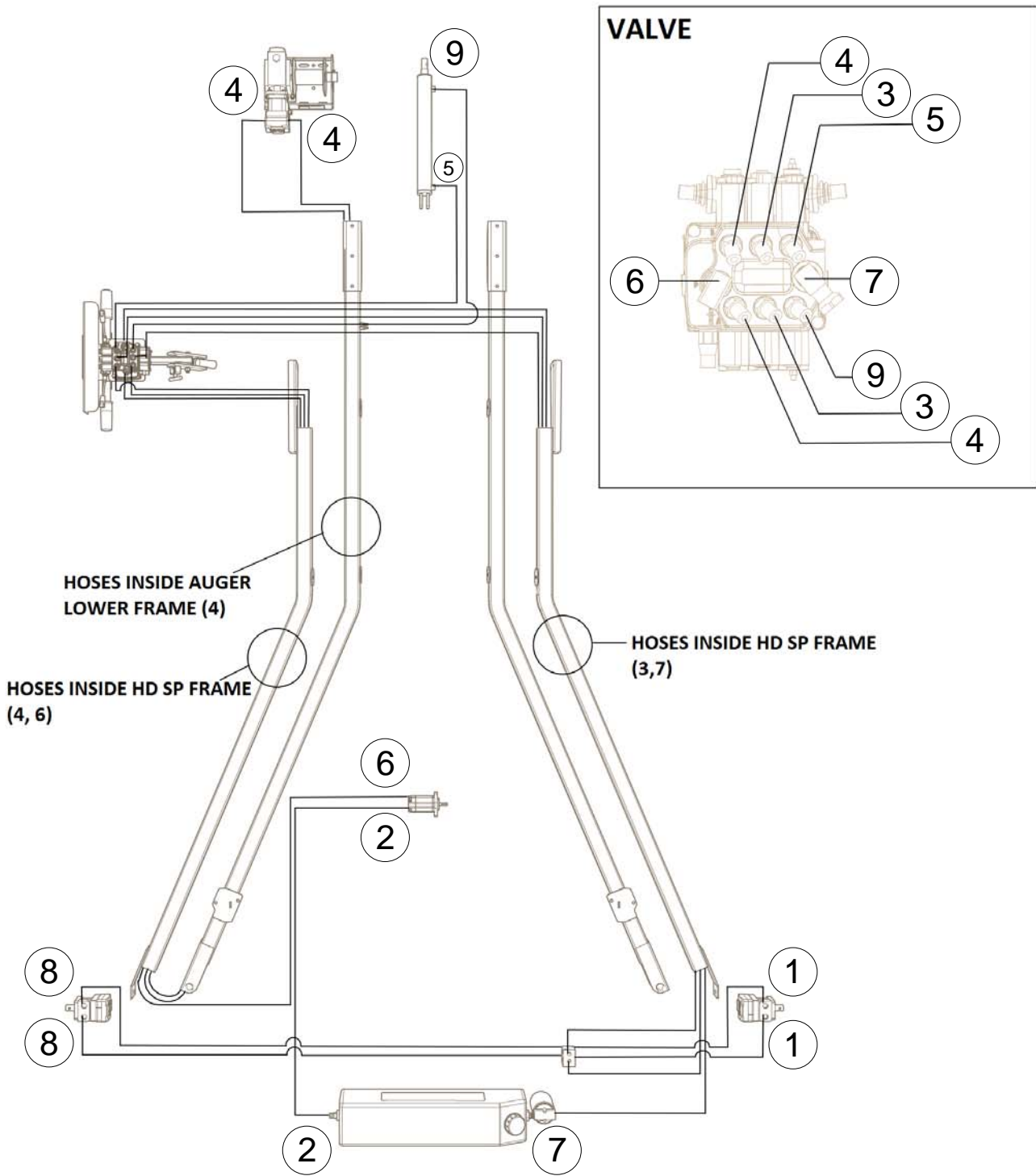


* Hose identification is defined by a single band of colour on the valve end of the hose: Blue - 6/7, Green - 9, White - 3

HYDRAULIC HOSES, 51 ft (SP KIT)

ITEM	PART NO.	DESCRIPTION
1	10-23371	HYDRAULIC HOSE, 3/8" X 18"
2	10-23372	HYDRAULIC HOSE, 3/4" X 60"
3	10-28752	HYDRAULIC HOSE, 3/8" X 124"
4	10-23395	HYDRAULIC HOSE, 1/2" X 272"
5	10-23394	HYDRAULIC HOSE, 1/2" X 300"
6	10-28224	HYDRAULIC HOSE, 3/8" X 36"
7	10-29703	HYDRAULIC HOSE, 3/8" X 54"
8	10-29443	HYDRAULIC HOSE, 3/8" X 56"
9	10-23392	HYDRAULIC HOSE, 3/8" X 264"

HYDRAULIC HOSES, 36 ft (HD SP KIT - MANUAL)

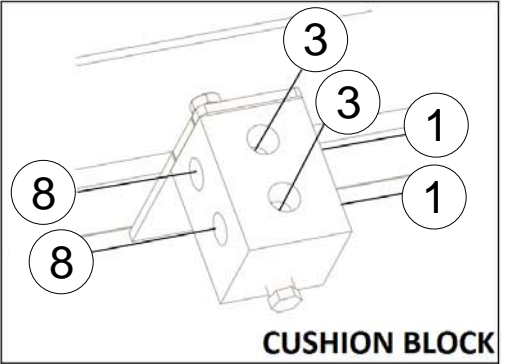
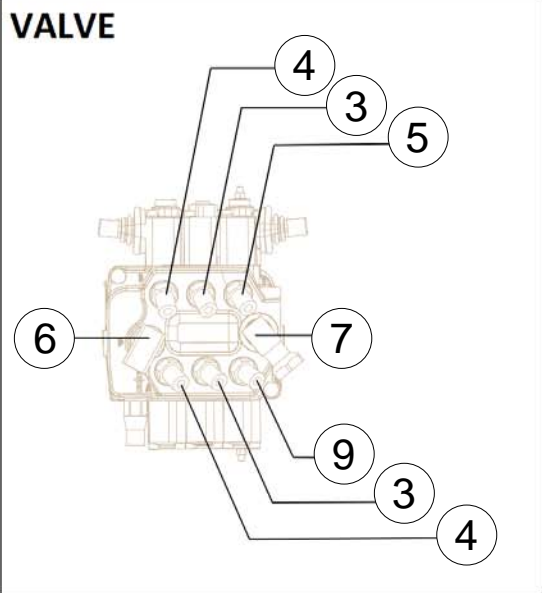
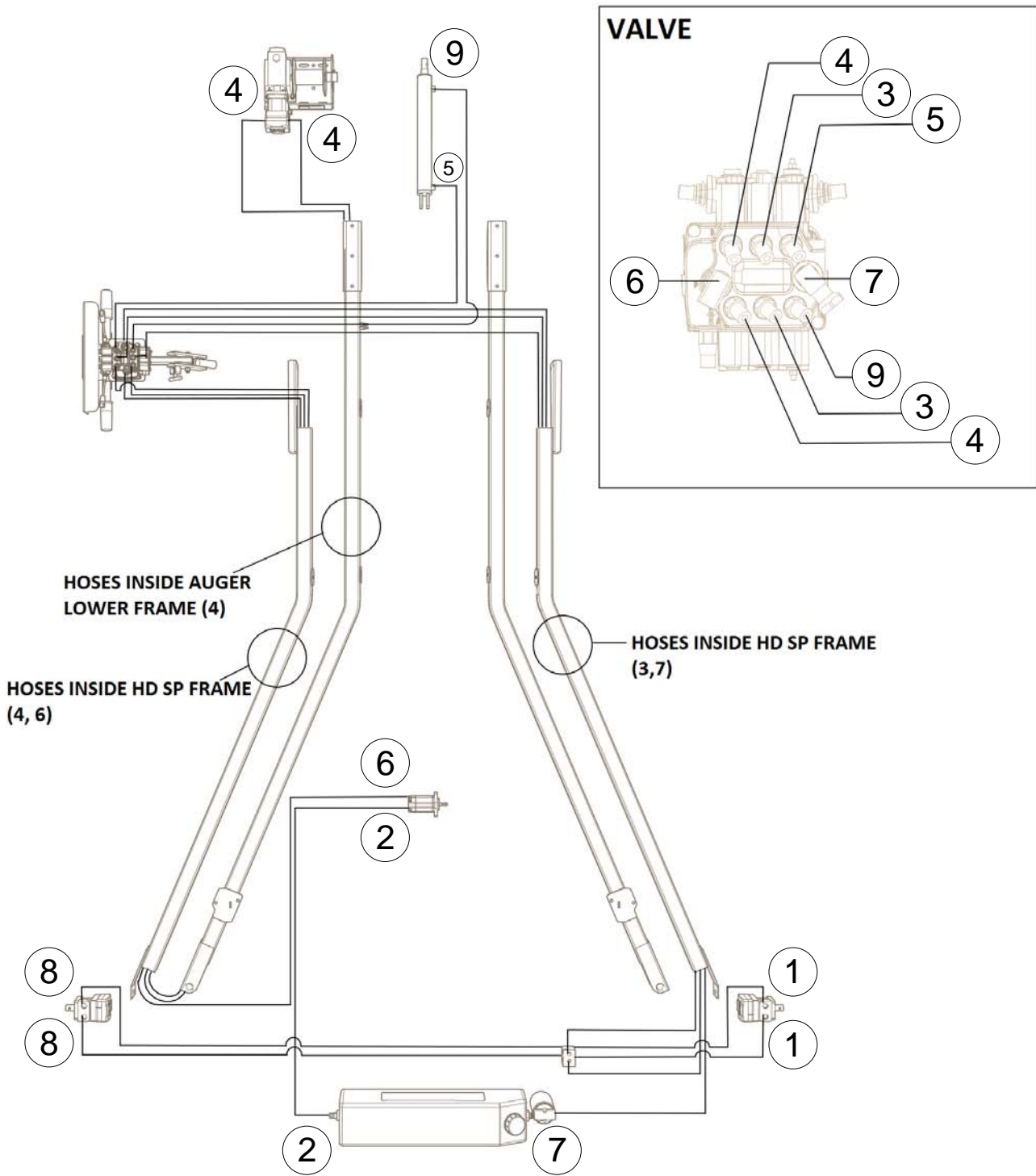


* Hose identification is defined by a single band of colour on the valve end of the hose: Blue - 5/9, Green - 3, White - 4

HYDRAULIC HOSES, 36 ft (HD SP KIT - MANUAL)

ITEM	PART NO.	DESCRIPTION
1	10-23371	HYDRAULIC HOSE, 3/8" X 18"
2	10-23372	HYDRAULIC HOSE, 3/4" X 60"
3	10-23382	HYDRAULIC HOSE, 3/8" X 156"
4	10-23387	HYDRAULIC HOSE, 3/8" X 300"
5	10-29361	HYDRAULIC HOSE, 3/8" X 60"
6	10-29367	HYDRAULIC HOSE, 1/2" X 204"
7	10-29434	HYDRAULIC HOSE, 1/2" X 160"
8	10-29443	HYDRAULIC HOSE, 3/8" X 56"
9	10-29448	HYDRAULIC HOSE, 3/8" X 74"

HYDRAULIC HOSES, 41 ft (HD SP KIT - MANUAL)

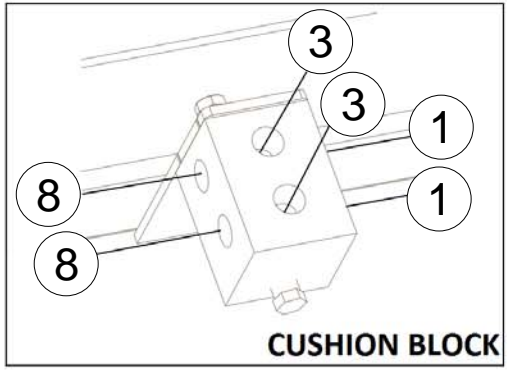
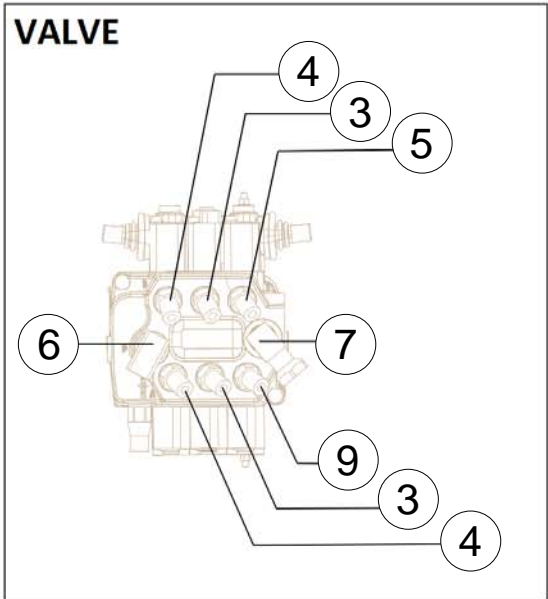
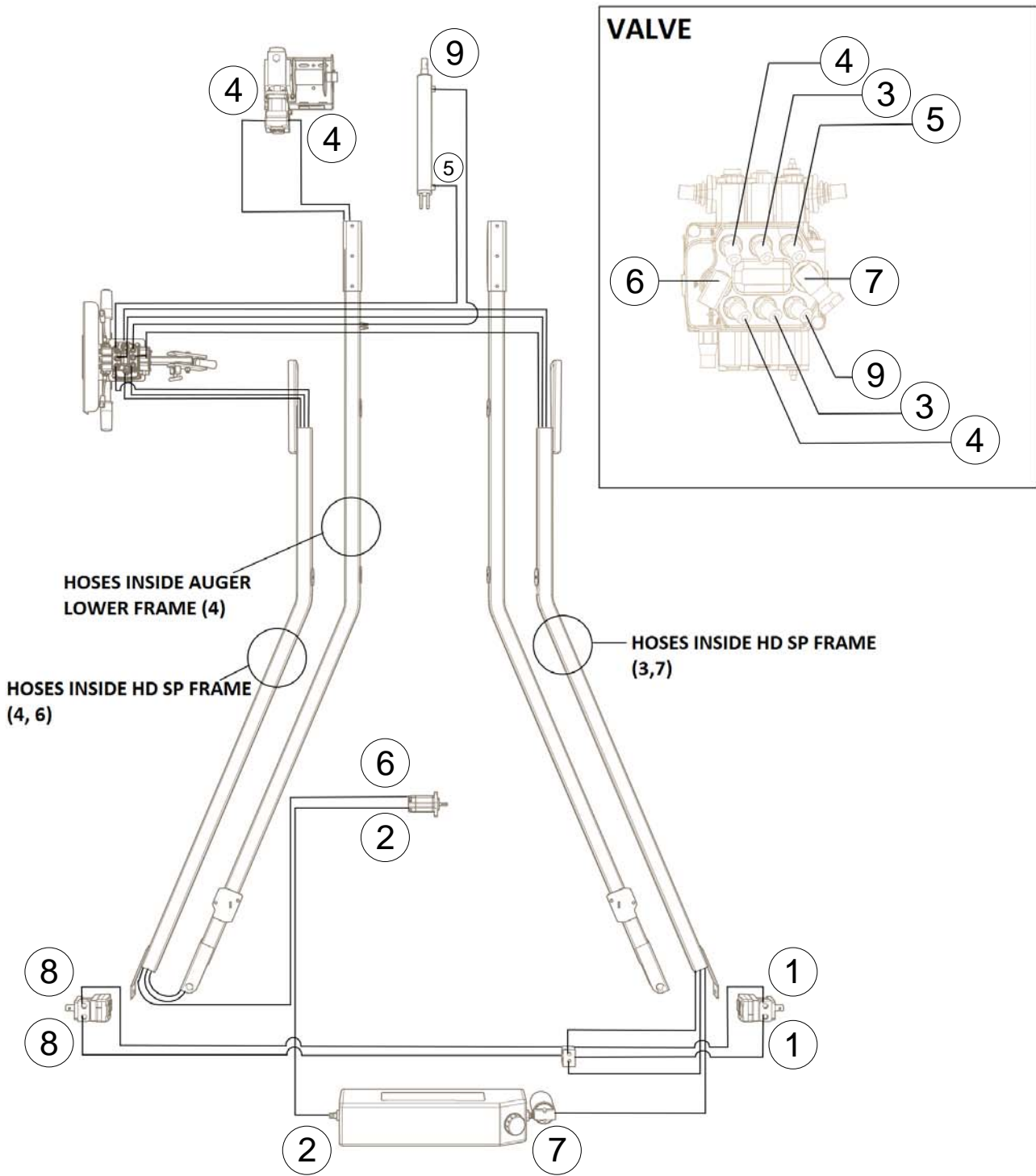


* Hose identification is defined by a single band of colour on the valve end of the hose: Blue - 5/9, Green - 3, White - 4

HYDRAULIC HOSES, 41 ft (HD SP KIT - MANUAL)

ITEM	PART NO.	DESCRIPTION
1	10-23371	HYDRAULIC HOSE, 3/8" X 18"
2	10-23372	HYDRAULIC HOSE, 3/4" X 60"
3	10-29518	HYDRAULIC HOSE, 3/8" X 168"
4	10-28747	HYDRAULIC HOSE, 3/8" X 358"
5	10-29361	HYDRAULIC HOSE, 3/8" X 60"
6	10-20458	HYDRAULIC HOSE, 1/2" X 220"
7	10-28247	HYDRAULIC HOSE, 1/2" X 182"
8	10-29443	HYDRAULIC HOSE, 3/8" X 56"
9	10-29448	HYDRAULIC HOSE, 3/8" X 74"

HYDRAULIC HOSES, 46 ft (HD SP KIT - MANUAL)

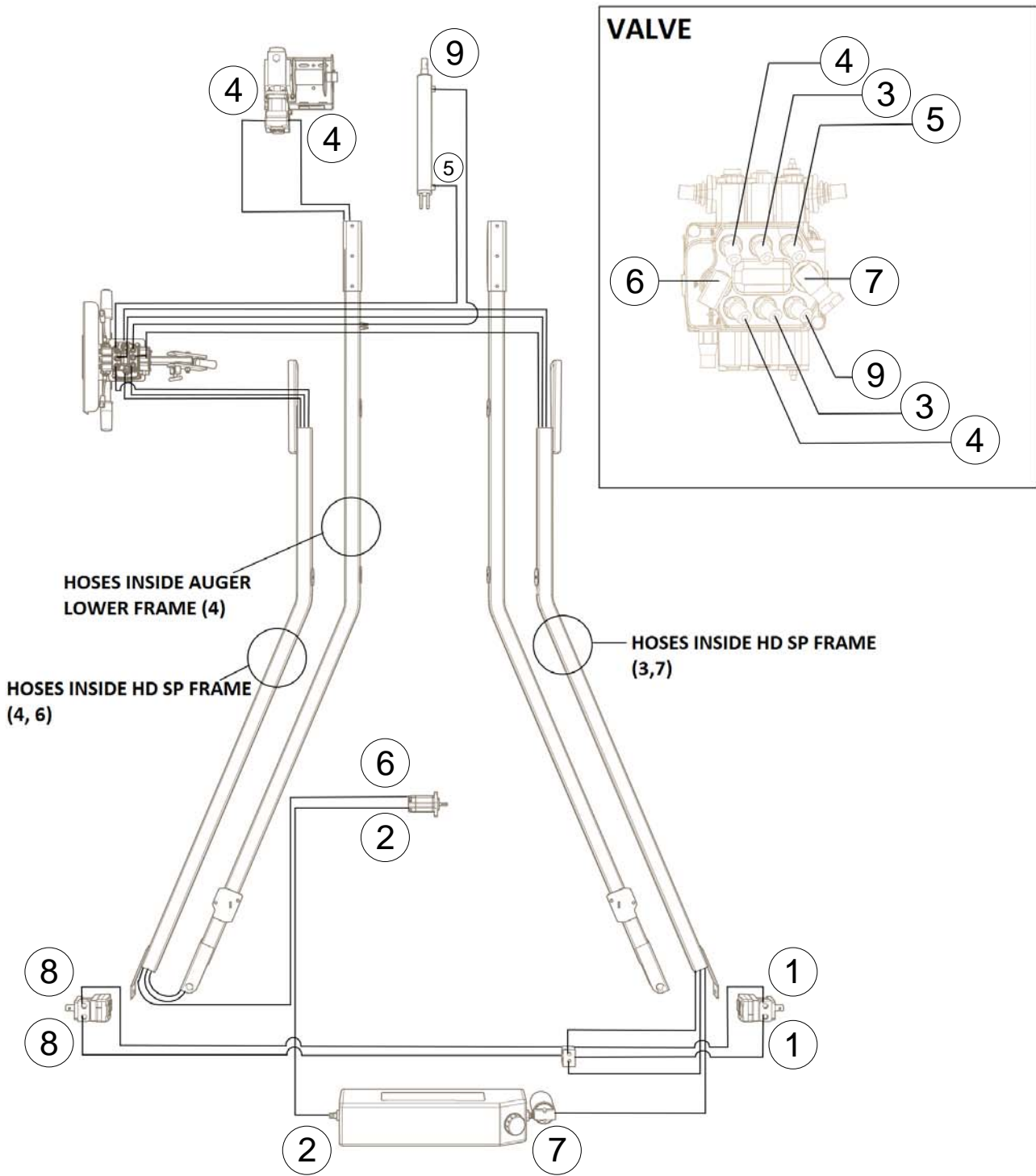


* Hose identification is defined by a single band of colour on the valve end of the hose: Blue - 5/9, Green - 3, White - 4

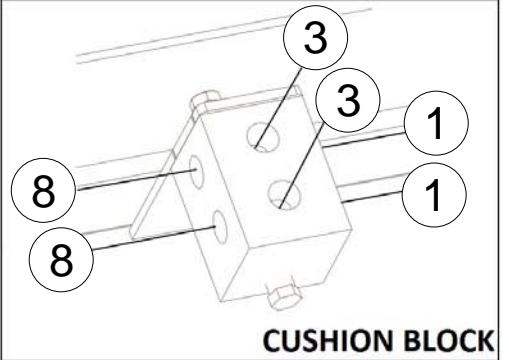
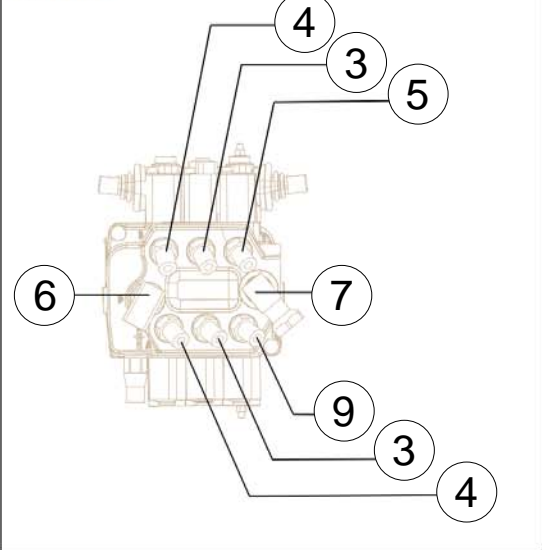
HYDRAULIC HOSES, 46 ft (HD SP KIT - MANUAL)

ITEM	PART NO.	DESCRIPTION
1	10-23371	HYDRAULIC HOSE, 3/8" X 18"
2	10-23372	HYDRAULIC HOSE, 3/4" X 60"
3	10-23378	HYDRAULIC HOSE, 3/8" X 180"
4	10-28748	HYDRAULIC HOSE, 3/8" X 376"
5	10-29361	HYDRAULIC HOSE, 3/8" X 60"
6	10-23380	HYDRAULIC HOSE, 1/2" X 231"
7	10-29365	HYDRAULIC HOSE, 1/2" X 186"
8	10-29443	HYDRAULIC HOSE, 3/8" X 56"
9	10-29448	HYDRAULIC HOSE, 3/8" X 74"

HYDRAULIC HOSES, 51 ft (HD SP KIT - MANUAL)



VALVE



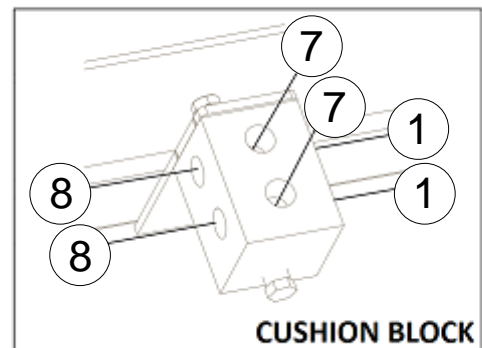
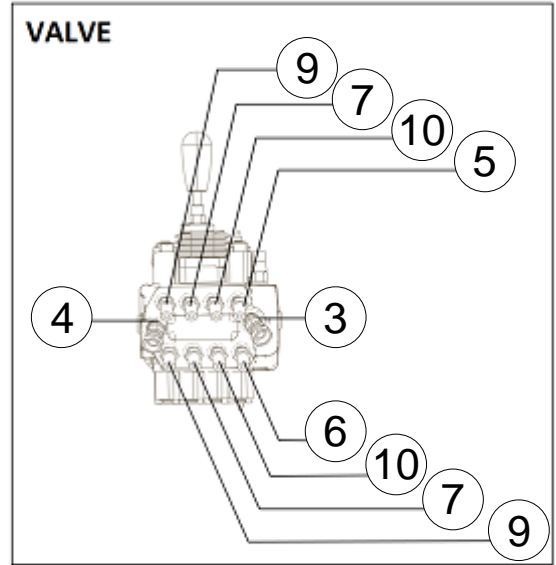
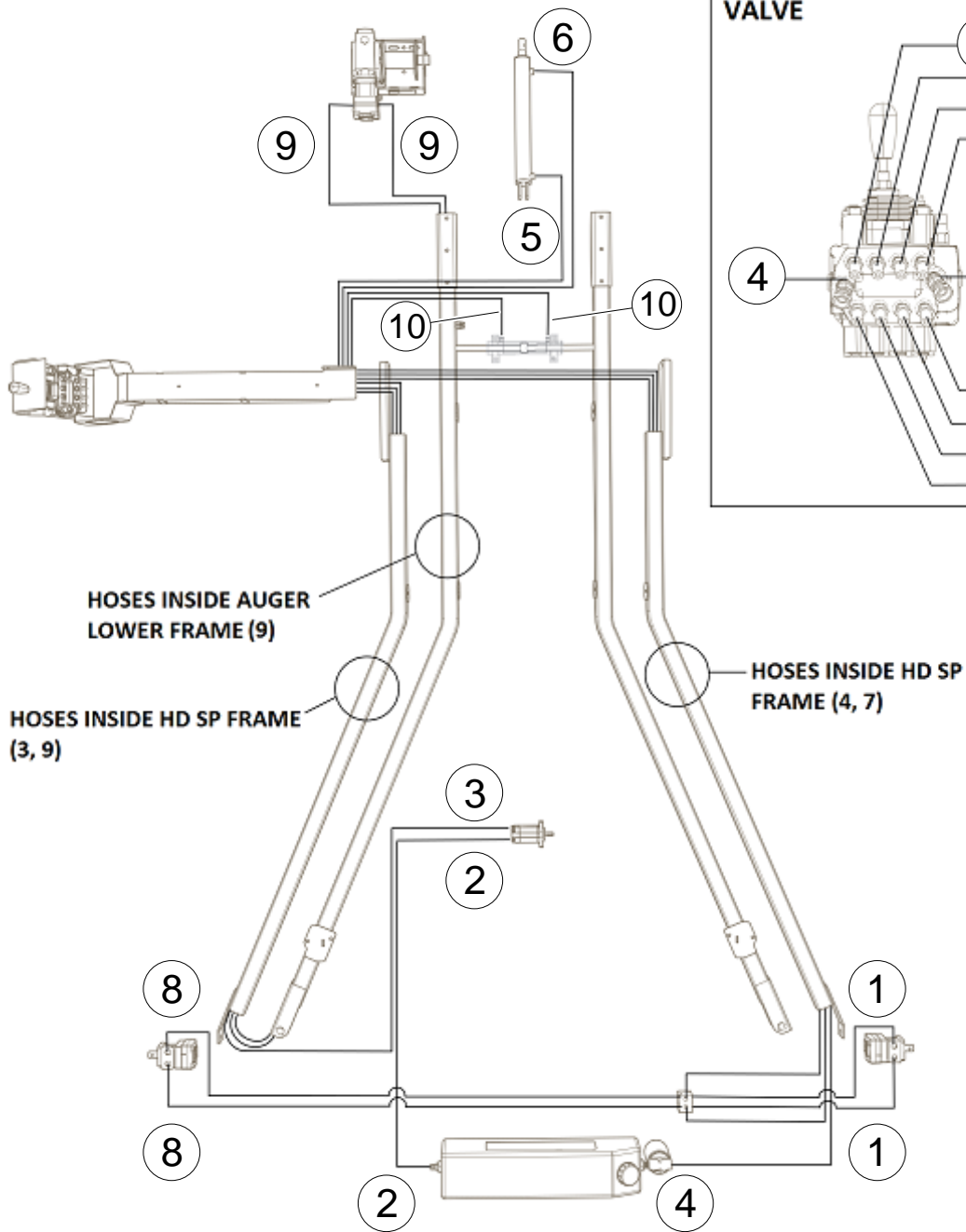
CUSHION BLOCK

* Hose identification is defined by a single band of colour on the valve end of the hose: Blue - 5/9, Green - 3, White - 4

HYDRAULIC HOSES, 51 ft (HD SP KIT - MANUAL)

ITEM	PART NO.	DESCRIPTION
1	10-23371	HYDRAULIC HOSE, 3/8" X 18"
2	10-23372	HYDRAULIC HOSE, 3/4" X 60"
3	10-23373	HYDRAULIC HOSE, 3/8" X 192"
4	10-23708	HYDRAULIC HOSE, 3/8" X 396"
5	10-29361	HYDRAULIC HOSE, 3/8" X 60"
6	10-23375	HYDRAULIC HOSE, 1/2" X 240"
7	10-28248	HYDRAULIC HOSE, 1/2" X 200"
8	10-29443	HYDRAULIC HOSE, 3/8" X 56"
9	10-29448	HYDRAULIC HOSE, 3/8" X 74"

HYDRAULIC HOSES, 36 ft (HD SP KIT - HYDRAULIC)

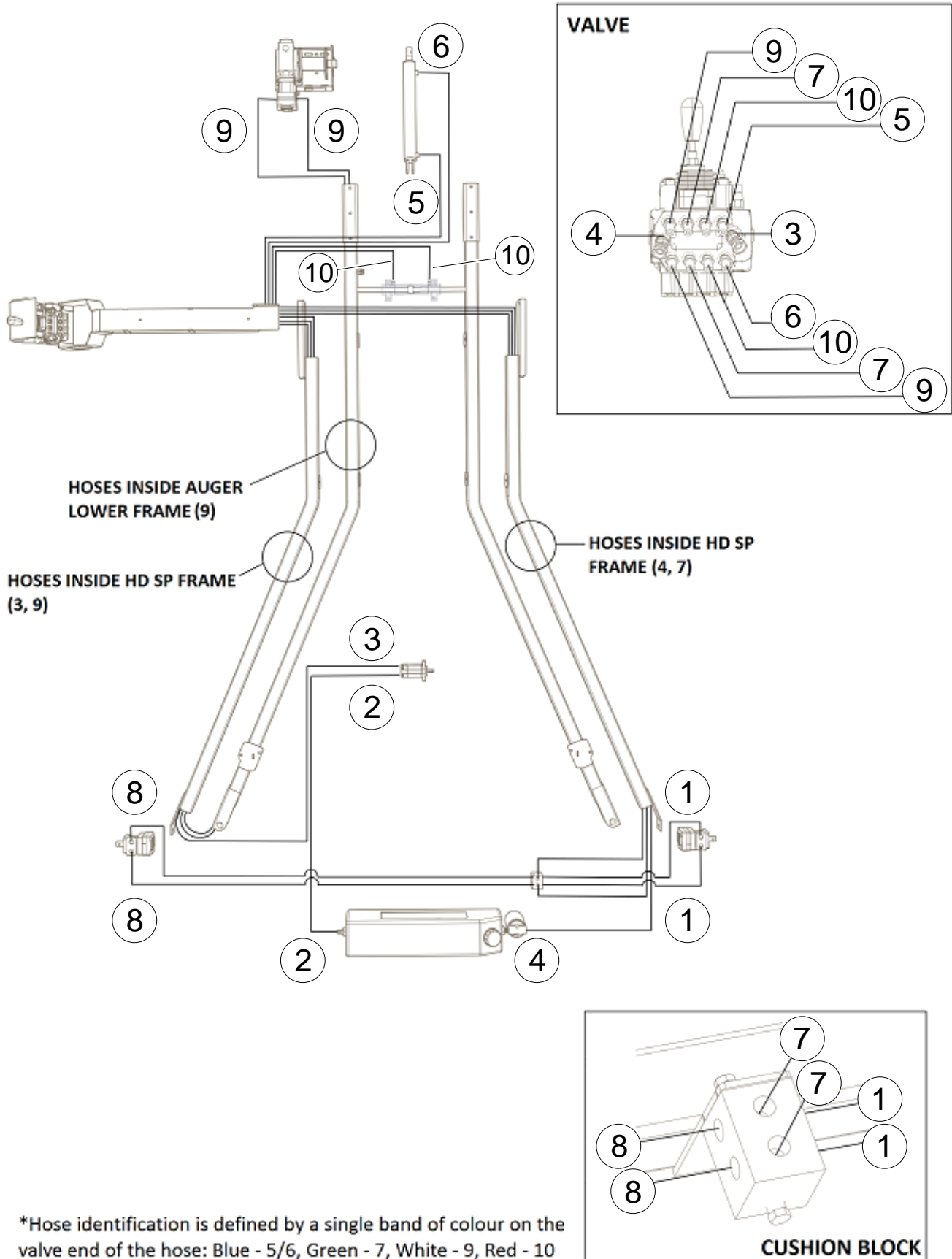


*Hose identification is defined by a single band of colour on the valve end of the hose: Blue - 5/6, Green - 7, White - 9, Red - 10

HYDRAULIC HOSES, 36 ft (HD SP KIT - HYDRAULIC)

ITEM	PART NO.	DESCRIPTION
1	10-23371	HYDRAULIC HOSE, 3/8" X 18"
2	10-23372	HYDRAULIC HOSE, 3/4" X 60"
3	10-29367	HYDRAULIC HOSE, 1/2" X 204"
4	10-29434	HYDRAULIC HOSE, 1/2" X 160"
5	10-29361	HYDRAULIC HOSE, 3/8" X 60"
6	10-29448	HYDRAULIC HOSE, 3/8" X 74"
7	10-23382	HYDRAULIC HOSE, 3/8" X 156"
8	10-29443	HYDRAULIC HOSE, 3/8" X 56"
9	10-23387	HYDRAULIC HOSE, 3/8" X 300"
10	10-28232	HYDRAULIC HOSE, 3/8" X 62"

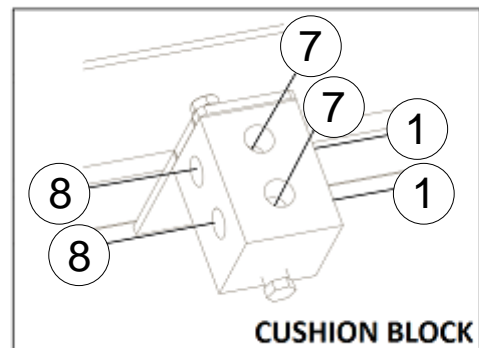
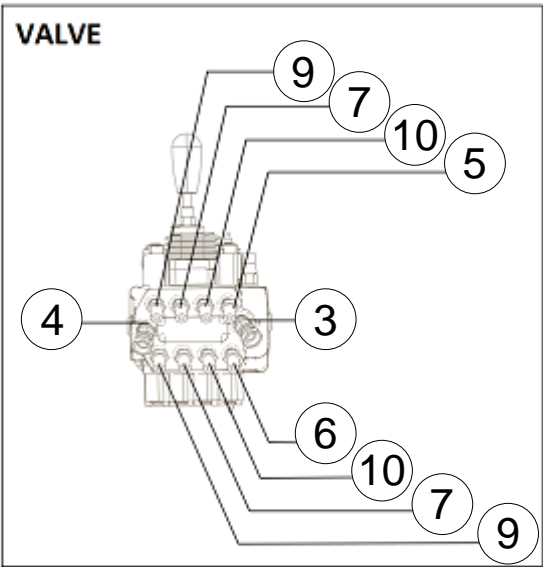
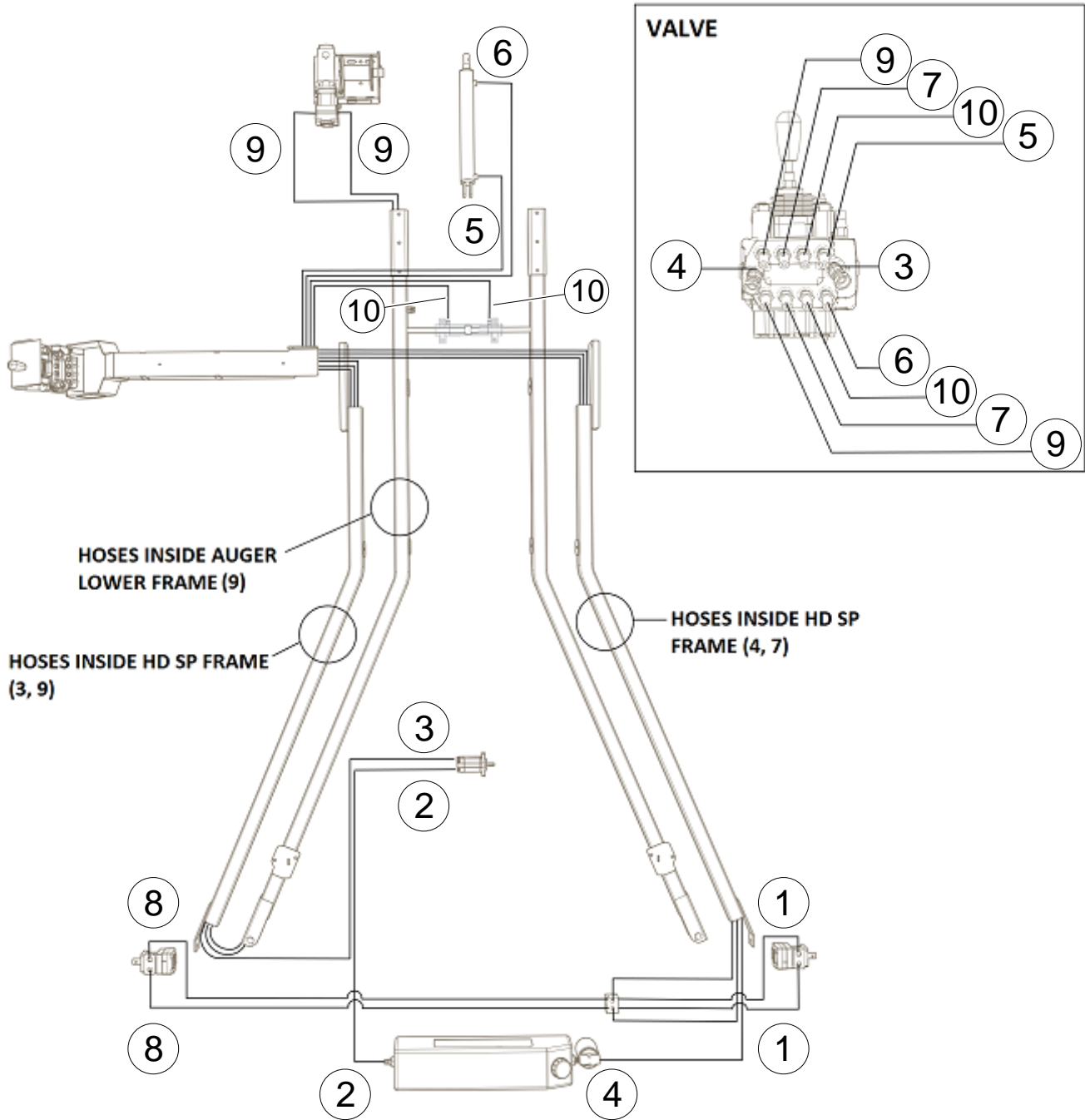
HYDRAULIC HOSES, 41 ft (HD SP KIT - HYDRAULIC)



HYDRAULIC HOSES, 41 ft (HD SP KIT - HYDRAULIC)

ITEM	PART NO.	DESCRIPTION
1	10-23371	HYDRAULIC HOSE, 3/8" X 18"
2	10-23372	HYDRAULIC HOSE, 3/4" X 60"
3	10-20458	HYDRAULIC HOSE, 1/2" X 220"
4	10-28247	HYDRAULIC HOSE, 1/2" X 182"
5	10-29361	HYDRAULIC HOSE, 3/8" X 60"
6	10-29448	HYDRAULIC HOSE, 3/8" X 74"
7	10-29518	HYDRAULIC HOSE, 3/8" X 168"
8	10-29443	HYDRAULIC HOSE, 3/8" X 56"
9	10-28747	HYDRAULIC HOSE, 3/8" X 358"
10	10-28232	HYDRAULIC HOSE, 3/8" X 62"

HYDRAULIC HOSES, 46 ft (HD SP KIT - HYDRAULIC)

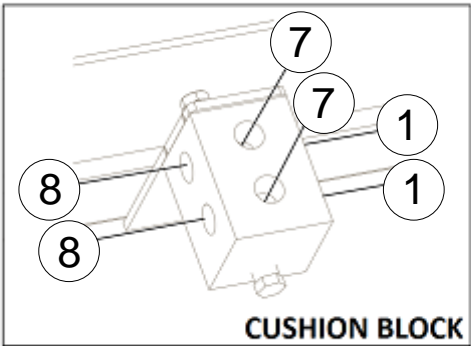
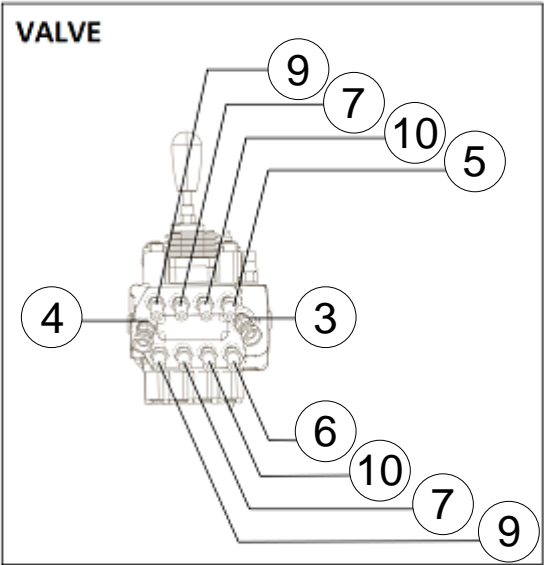
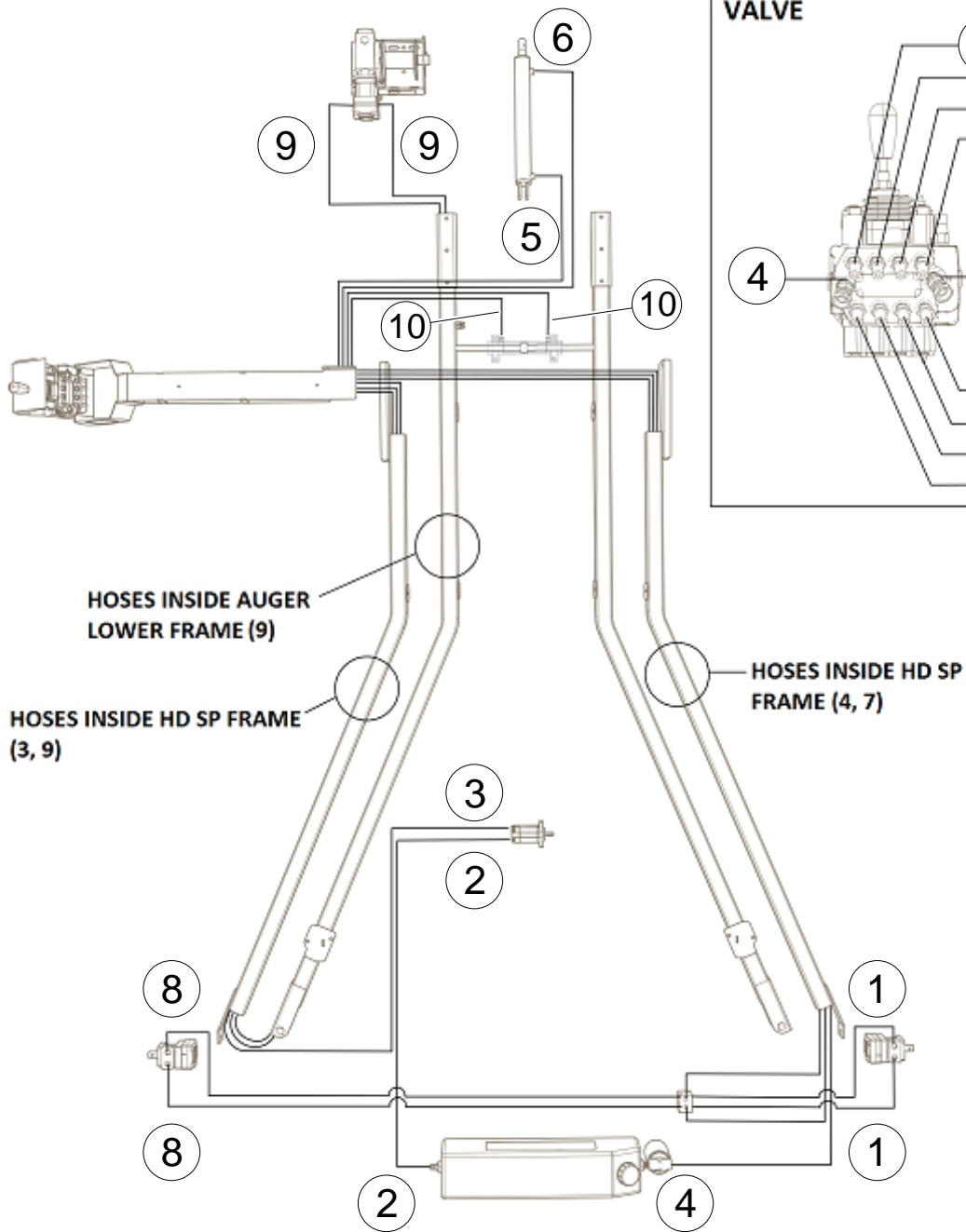


*Hose identification is defined by a single band of colour on the valve end of the hose: Blue - 5/6, Green - 7, White - 9, Red - 10

HYDRAULIC HOSES, 46 ft (HD SP KIT - HYDRAULIC)

ITEM	PART NO.	DESCRIPTION
1	10-23371	HYDRAULIC HOSE, 3/8" X 18"
2	10-23372	HYDRAULIC HOSE, 3/4" X 60"
3	10-23380	HYDRAULIC HOSE, 1/2" X 231"
4	10-29365	HYDRAULIC HOSE, 1/2" X 186"
5	10-29361	HYDRAULIC HOSE, 3/8" X 60"
6	10-29448	HYDRAULIC HOSE, 3/8" X 74"
7	10-23378	HYDRAULIC HOSE, 3/8" X 180"
8	10-29443	HYDRAULIC HOSE, 3/8" X 56"
9	10-28748	HYDRAULIC HOSE, 3/8" X 376"
10	10-28232	HYDRAULIC HOSE, 3/8" X 62"

HYDRAULIC HOSES, 51 ft (HD SP KIT - HYDRAULIC)

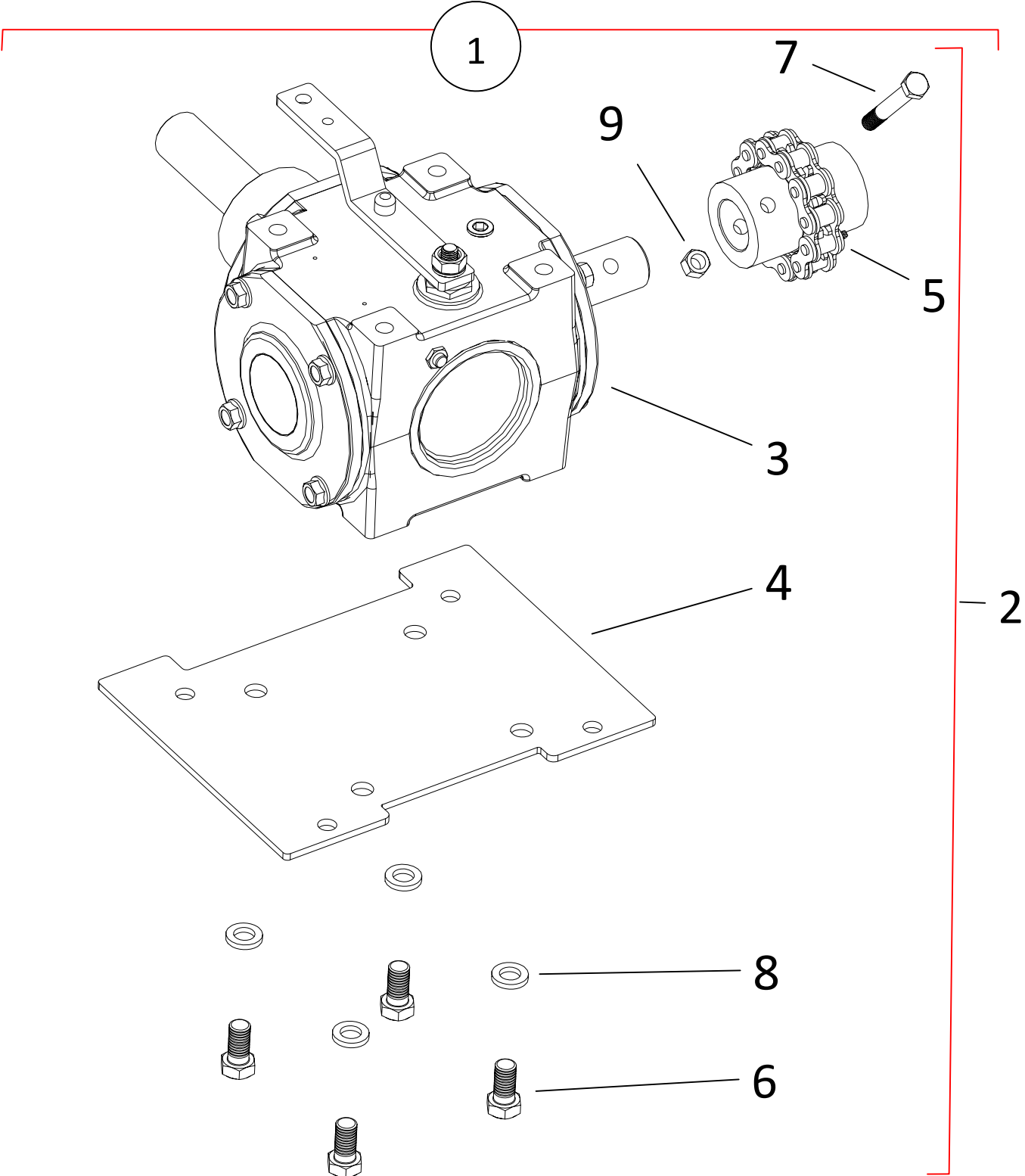


*Hose identification is defined by a single band of colour on the valve end of the hose: Blue - 5/6, Green - 7, White - 9, Red - 10

HYDRAULIC HOSES, 51 ft (HD SP KIT - HYDRAULIC)

ITEM	PART NO.	DESCRIPTION
1	10-23371	HYDRAULIC HOSE, 3/8" X 18"
2	10-23372	HYDRAULIC HOSE, 3/4" X 60"
3	10-23375	HYDRAULIC HOSE, 1/2" X 240"
4	10-28248	HYDRAULIC HOSE, 1/2" X 200"
5	10-29361	HYDRAULIC HOSE, 3/8" X 60"
6	10-29448	HYDRAULIC HOSE, 3/8" X 74"
7	10-23373	HYDRAULIC HOSE, 3/8" X 192"
8	10-29443	HYDRAULIC HOSE, 3/8" X 56"
9	10-23708	HYDRAULIC HOSE, 3/8" X 396"
10	10-28232	HYDRAULIC HOSE, 3/8" X 62"

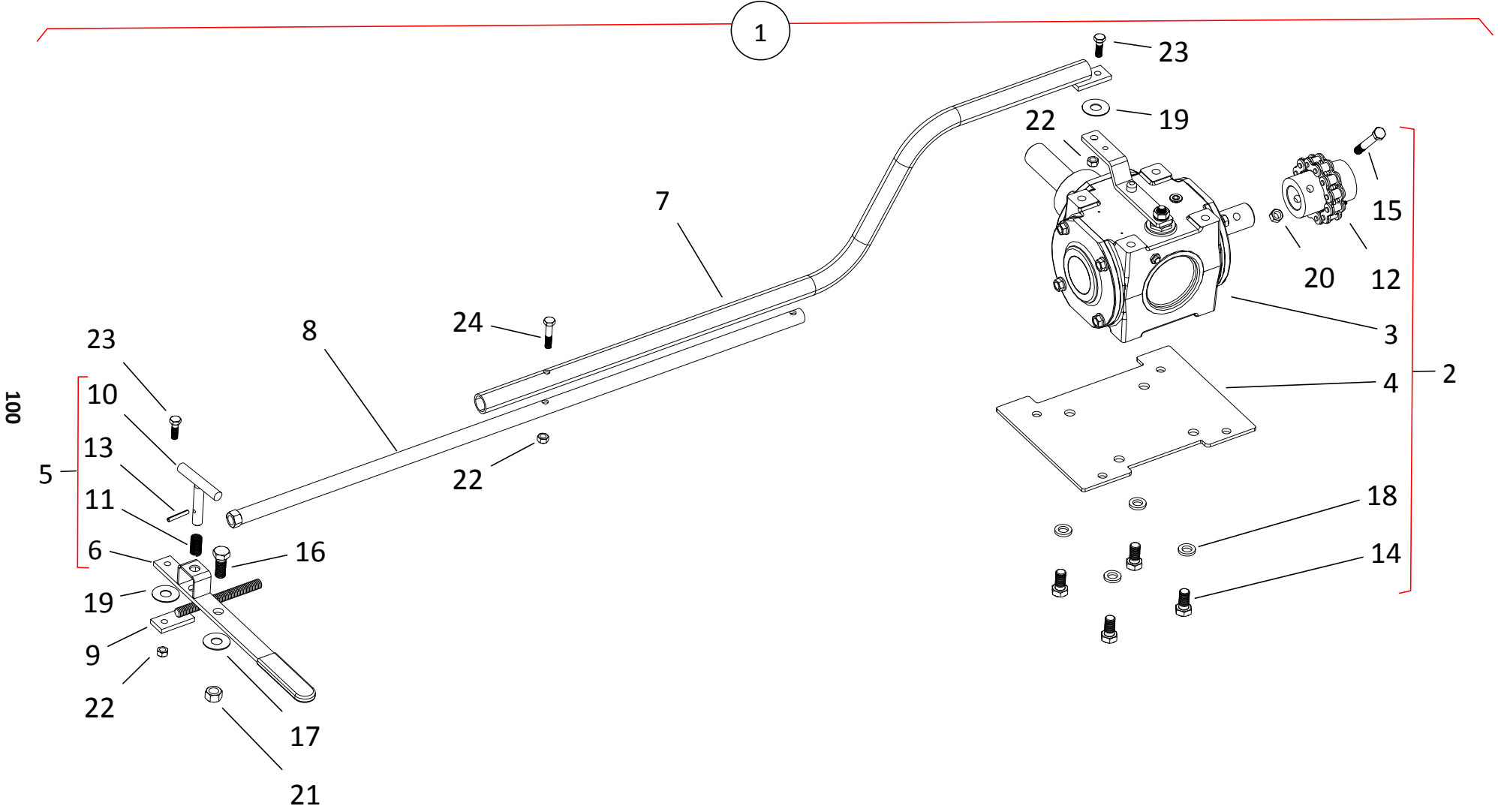
REVERSIBLE GEARBOX KIT, 31 ft (A393)



REVERSIBLE GEARBOX KIT, 31 ft (A393)

ITEM	PART NO.	DESCRIPTION
1	05-A393	REVERSIBLE GEARBOX KIT
2	10-23216	REVERSIBLE GEARBOX ASSEMBLY
3	10-29322	REVERSIBLE LARGE SD GEARBOX
4	10-23218	GEARBOX MOUNT PLATE
5	10-19674	COUPLER, 1-1/4" BOLT X 1" KEY
6	10-19231	1/2" X 1" NC BOLT GR 5 PLTD
7	10-19541	3/8" X 2-3/4" NC BOLT GR 2 PLTD
8	10-19605	1/2" LOCK WASHER PLTD
9	10-17402	3/8" NC NYLON LOCKNUT PLTD

REVERSIBLE GEARBOX KIT 36, 41, 46, 51 ft (A391)

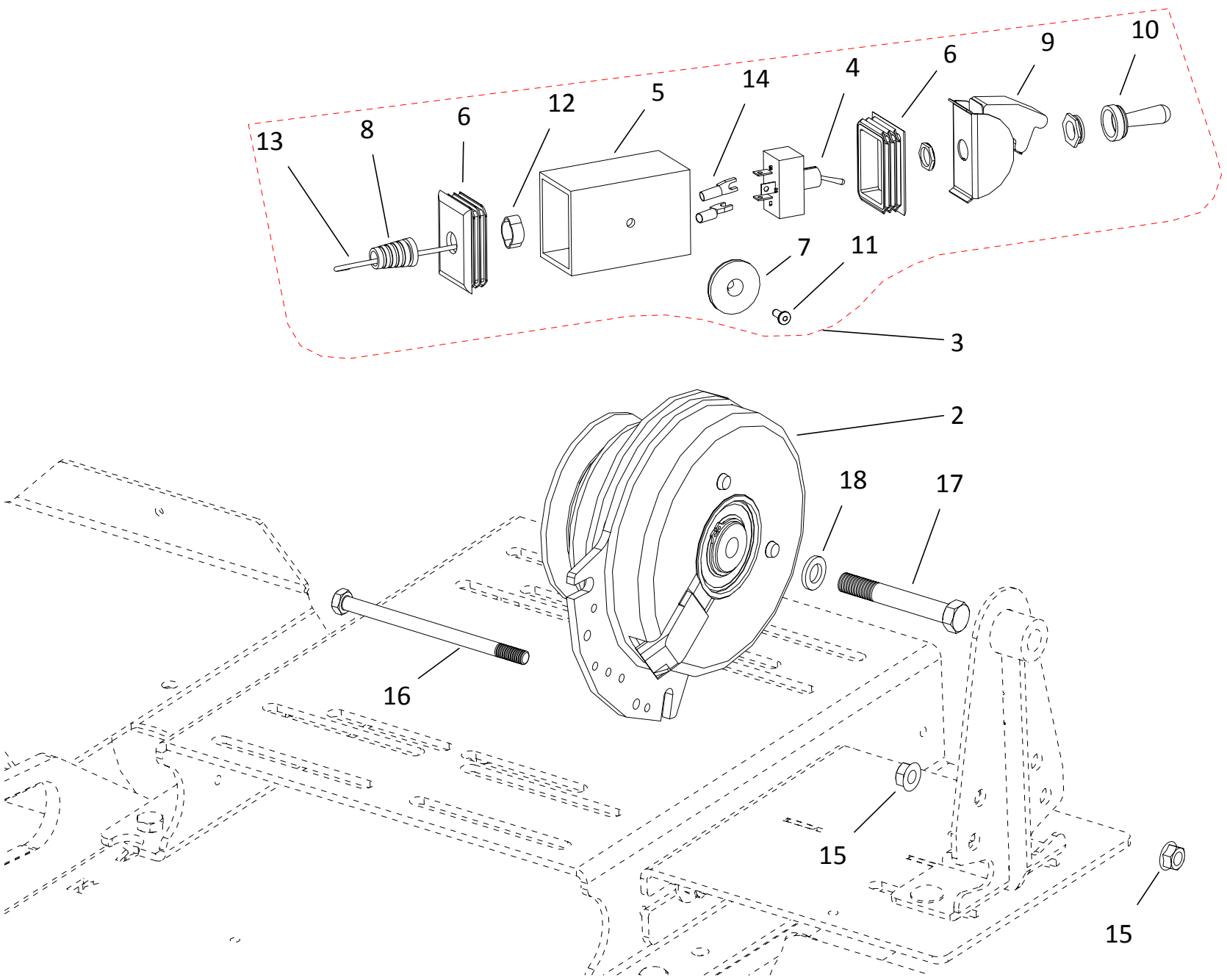


REVERSIBLE GEARBOX KIT 36, 41, 46, 51 ft (A391)

ITEM	PART NO.	DESCRIPTION
1	05-A391	REVERSIBLE GEARBOX KIT
2	10-23216	REVERSIBLE GEARBOX ASSEMBLY
3	10-29322	REVERSIBLE LARGE SD GEARBOX
4	10-23218	GEARBOX MOUNT PLATE
5	10-23514	DETENT LEVER ASSEMBLY
6	10-22258	DETENT LEVER ONLY
7	10-23730	GEARBOX HANDLE EXTENSION, BENT
8	10-23731	GEARBOX HANDLE EXTENSION, STRAIGHT
9	10-22256	ADJUST LUG
10	10-28856	LOCK PIN
11	10-28645	COMPRESSION SPRING (SINGLE)
12	10-19674	COUPLER, 1-1/4" BOLT X 1" KEY
13	10-28726	SLOTTED SPRING PIN 3/16 X 1-1/2 PLN
14	10-19231	1/2" X 1" NC BOLT GR 5 PLTD
15	10-19541	3/8" X 2-3/4" NC BOLT GR 2 PLTD
16	10-19588	1/2" X 1-1/4" NC BOLT GR 5 PLTD
17	10-17401	1/2" FLAT WASHER PLTD
18	10-19605	1/2" LOCK WASHER PLTD
19	10-27336	5/16" FLAT WASHER PLTD
20	10-17402	3/8" NC NYLON LOCKNUT PLTD
21	10-19599	1/2" NC NYLON LOCKNUT GR 2 PLTD
22	10-19980	5/16" NC NYLON LOCKNUT PLTD
23	10-18091	5/16" X 1" NC BOLT GR 2 PLTD
24	10-27788	5/16" X 1-1/2" NC BOLT GR 5 PLTD

ELECTRIC CLUTCH KIT, DOUBLE (A224 & A225)

1

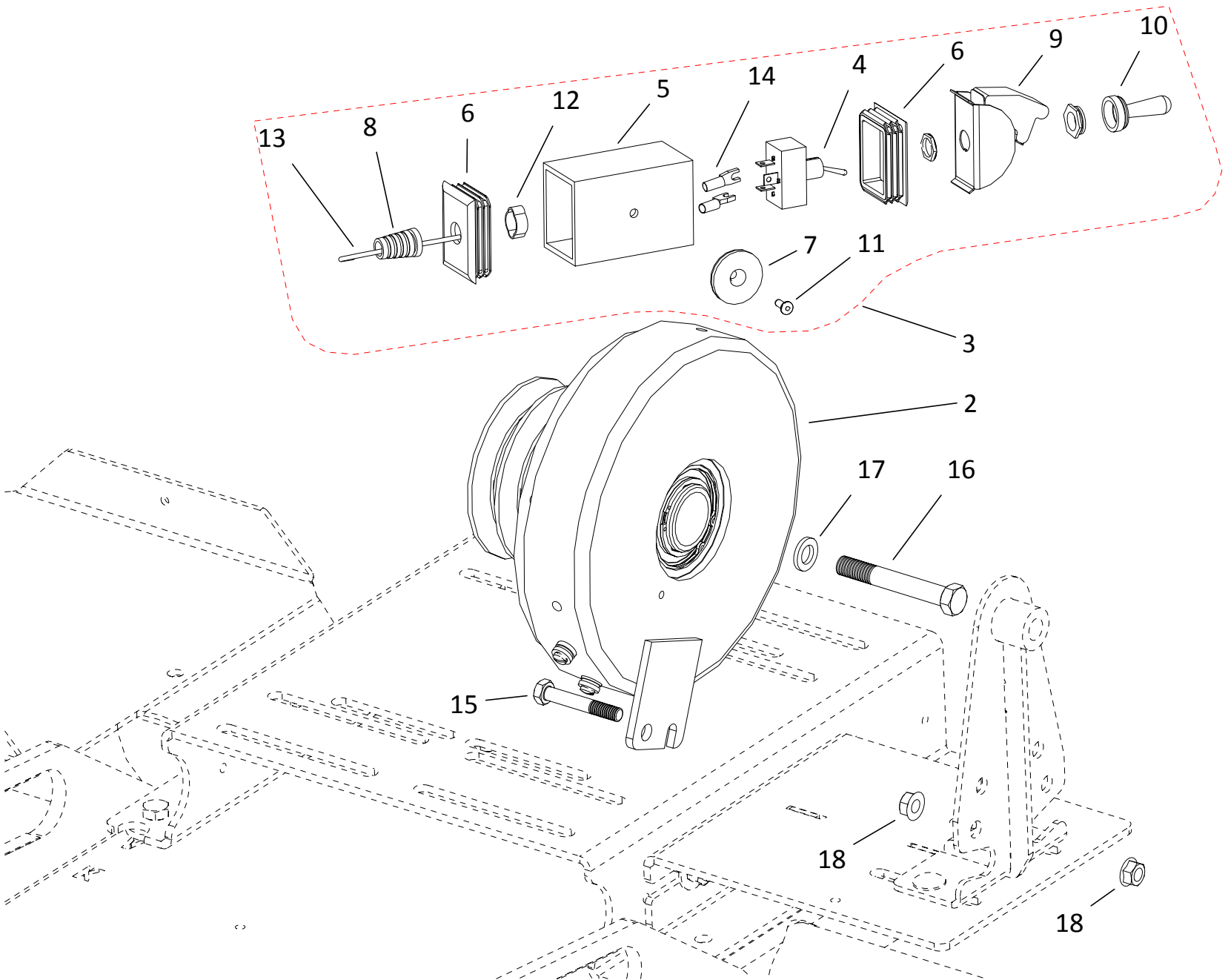


ELECTRIC CLUTCH KIT, DOUBLE (A224 & A225)

ITEM	PART NO.	DESCRIPTION
1	05-A224	ELECTRIC CLUTCH KIT, 1-1/8"
1	05-A225	ELECTRIC CLUTCH KIT, 1"
2	0603001	CLUTCH, ELEC, 1-1/8" ENG SFT, 175FT#
2	0603005	CLUTCH, ELEC, 1" ENG SFT, 175
3	0603010A	ELECTRIC CLUTCH SWITCH ASSEMBLY
4	0600568-2	CLUTCH TOGGLE
5	0603010-1	SWITCH BOX, ELECTRIC CLUTCH, ALUMINUM
6	0603010-2A	PLUG, PLASTIC, 1-1/2 X 2 W/ HOLE
7	0603010-3	MAGNET, 1-1/4", CUPPED, COUNTERSUNK
8	0603010-4	STRAIN RELIEF, ROUND, SOLID RIB
9	0603010-6	SWITCH GUARD, FLIP COVER
10	0603010-7	SWITCH, SPLASHPROOF BOOT ASSY
11	10-20081	POP RIVET (5/32") SMALL WASHER HEAD
12	10-20582	3/8 CRIMPED CIRCLE CLAMP
13	10-21977	14/2 YELLOW WIRE 25 FEET
14	10-18365	3/16 SPADE TERMINAL
15	10-19595	5/16" NC SERRATED FLANGE NUT PLTD
16	10-19936	5/16" X 5" NC BOLT GR 2 PLTD
17	9900935	7/16" X 3" UNF GR5 PLTD
18	9900508	7/16 LOCK WASHER PLTD
19	10-28663	STANDARD BLADE FUSE HOLDER (NOT SHOWN)
20	10-28602	PIGTAIL, NNS CLUTCH (NOT SHOWN)
21	9900522	TERMINAL, RING 14GA 3/8 EYELET CRIMP (NOT SHOWN)
22	9900572	TERMINAL, SPADE, MALE (NOT SHOWN)
23	9900614-2	20 AMP STANDARD BLADE FUSE (NOT SHOWN)
24	9900622	CONNECTOR, TAP-IN SPLICE, 18-14 GA (NOT SHOWN)

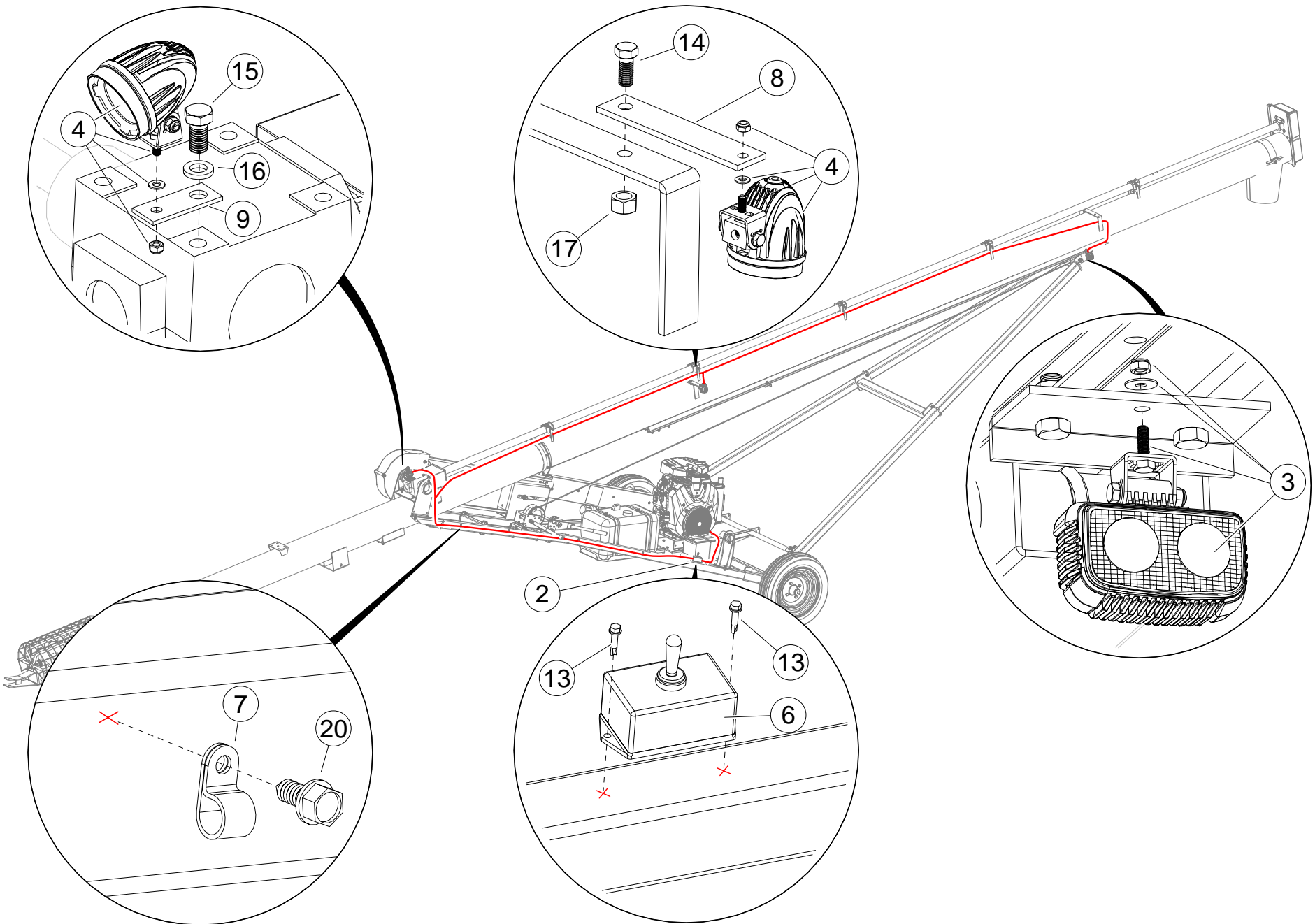
ELECTRIC CLUTCH KIT, TRIPLE (A261)

1



ELECTRIC CLUTCH KIT, TRIPLE (A261)

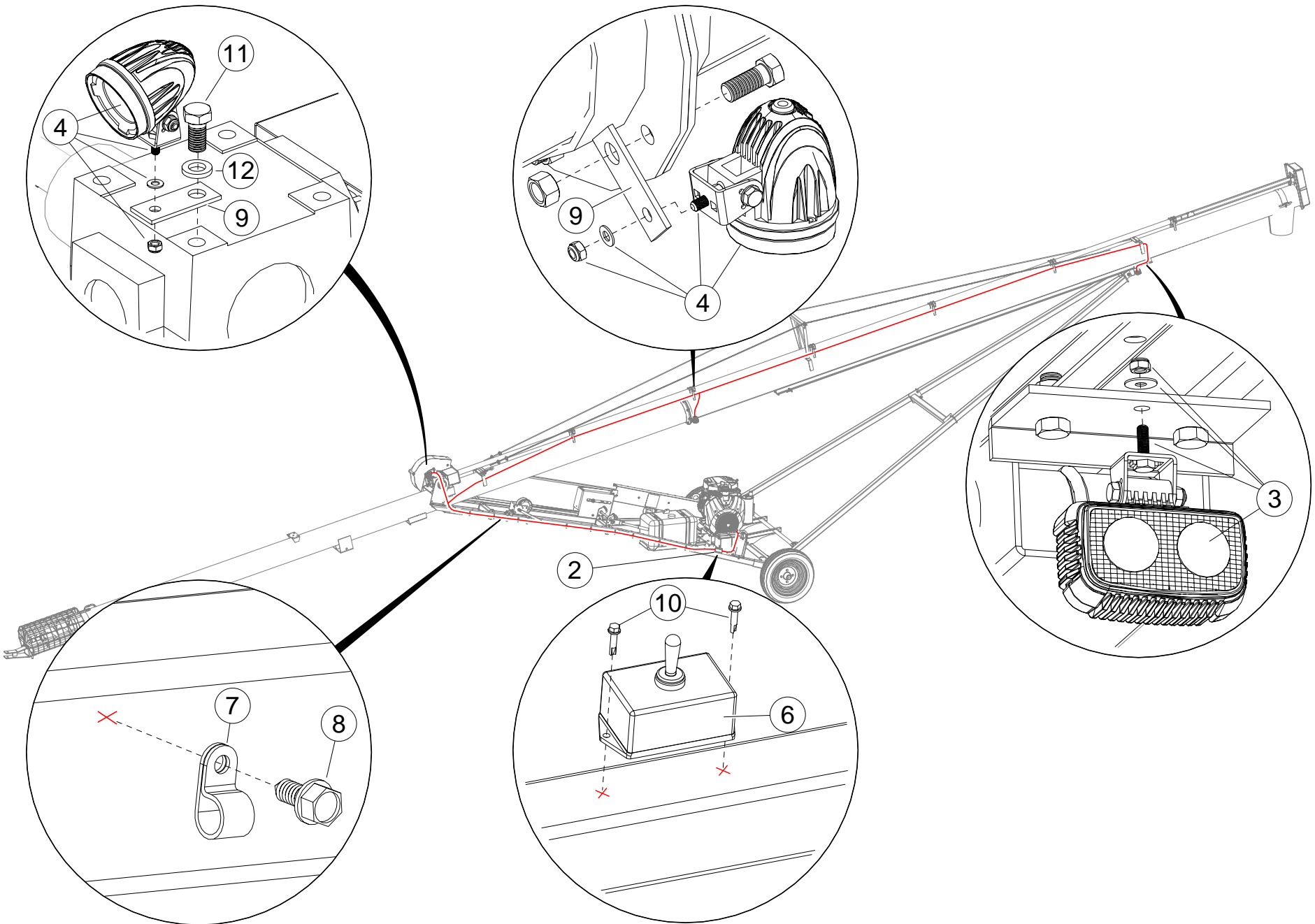
ITEM	PART NO.	DESCRIPTION
1	05-A261	ELECTRIC CLUTCH KIT, TRIPLE
2	10-29876	ELEC CLUTCH ONLY, 1-1/8" TRIPLE GRV
3	0603010A	ELECTRIC CLUTCH SWITCH ASSEMBLY
4	0600568-2	CLUTCH TOGGLE
5	0603010-1	SWITCH BOX, ELECTRIC CLUTCH, ALUMINUM
6	0603010-2A	PLUG, PLASTIC, 1-1/2 X 2 W/ HOLE
7	0603010-3	MAGNET, 1-1/4", CUPPED, COUNTERSUNK
8	0603010-4	STRAIN RELIEF, ROUND, SOLID RIB
9	0603010-6	SWITCH GUARD, FLIP COVER
10	0603010-7	SWITCH, SPLASHPROOF BOOT ASSY
11	10-20081	POP RIVET (5/32") SMALL WASHER HEAD
12	10-20582	3/8 CRIMPED CIRCLE CLAMP
13	10-21977	14/2 YELLOW WIRE 25 FEET
14	10-18365	3/16 SPADE TERMINAL
15	10-19539	5/16" X 2" NC BOLT GR 2 PLTD
16	9900935	7/16" X 3" UNF GR5 PLTD
17	9900508	7/16 LOCK WASHER PLTD
18	10-19595	5/16" NC SERRATED FLANGE NUT PLTD
19	10-28663	STANDARD BLADE FUSE HOLDER (NOT SHOWN)
20	10-28602	PIGTAIL, NNS CLUTCH (NOT SHOWN)
21	9900522	TERMINAL, RING 14GA 3/8 EYELET CRIMP (NOT SHOWN)
22	9900571	TERMINAL, RING 14GA 9/64 EYELET CRIMP (NOT SHOWN)
23	9900572	TERMINAL, SPADE, MALE (NOT SHOWN)
24	9900614-2	20 AMP STANDARD BLADE FUSE (NOT SHOWN)
25	9900622	CONNECTOR, TAP-IN SPLICE, 18-14 GA (NOT SHOWN)



LIGHT KIT 31, 36, 41 ft (A317)

ITEM	PART NO.	DESCRIPTION
1	05-A317	LIGHT KIT
2	10-22400	HARNESS & SWITCH BOX ASSY
3	10-22395	FLOOD LAMP, LEDWD-2L20 (INCLUDES HARDWARE)
4	10-22394	MINI FLOOD LAMP, LEDWD-1L10 (INCLUDES HARDWARE)
5	10-22427	LEAD CONNECTOR, DEUTSCH DT06-2S (NOT SHOWN)
6	10-22399	SWITCH BOX ONLY
7	10-22397	CLAMP, 1/4"
8	10-22389	LIGHT BRACKET
9	10-22286	TRANSPORT CHAIN LUG
10	10-22446	FUSE, BUSS AGC 20A (NOT SHOWN)
11	10-22424	WEATHER PACK SHROUD, 1 POS (NOT SHOWN)
12	10-22425	WEATHER PACK TOWER, 1 POS (NOT SHOWN)
13	10-22396	8-18 X 3/4" TEK SCREW
14	10-19542	7/16" X 1" NC BOLT GR 5 PLTD
15	10-18955	3/8" X 1" NC BOLT GR 5 PLTD (8" ONLY)
15	10-19231	1/2" X 1" NC BOLT GR 5 PLTD (10" ONLY)
16	10-19604	3/8" LOCK WASHER PLTD (8" ONLY)
16	10-19605	1/2" LOCK WASHER PLTD (10" ONLY)
17	10-19598	7/16" NC NYLON LOCKNUT GR 2 PLTD
18	9900622	CONNECTOR, TAP-IN SPLICE, 16-14 GA (NOT SHOWN)
19	10-23129	ENGINE POWER SPLICE HARNESS (NOT SHOWN)
20	10-19274	#14 X 5/8" SMS AB GR 5 PLTD

LIGHT KIT, 46-51 ft (A318)

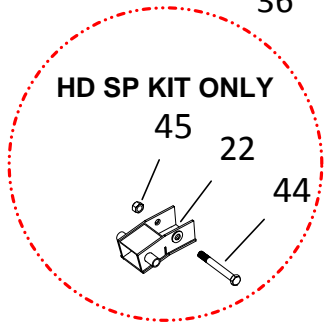
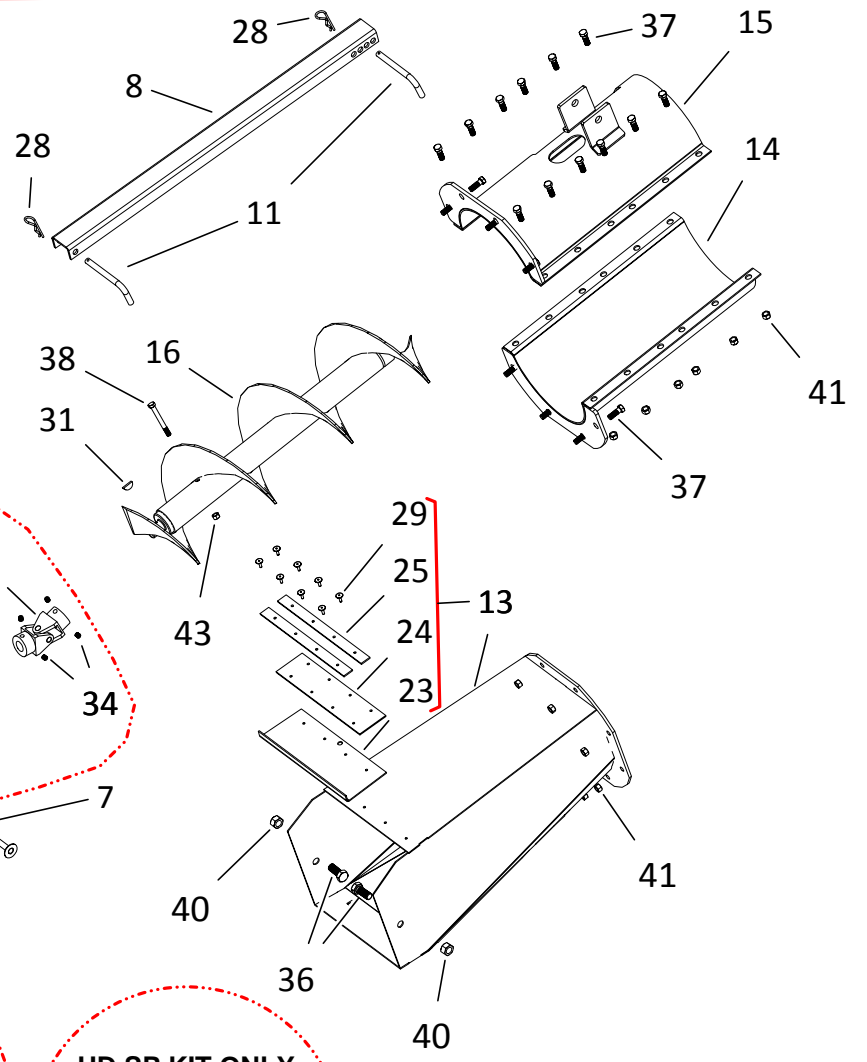
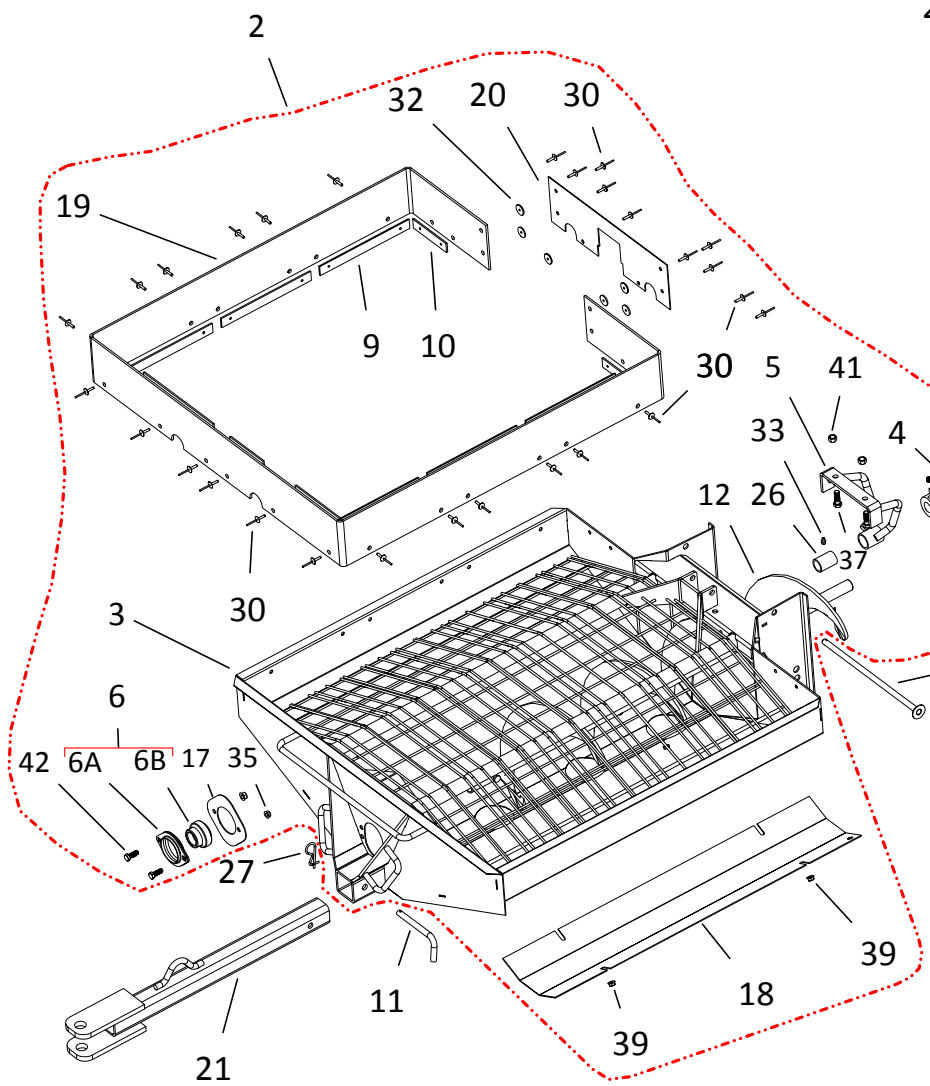


LIGHT KIT, 46-51 ft (A318)

ITEM	PART NO.	DESCRIPTION
1	05-A318	LIGHT KIT
2	10-22401	HARNESS & SWITCH BOX ASSY
3	10-22395	FLOOD LAMP, LEDWD-2L20 (INCLUDES HARDWARE)
4	10-22394	MINI FLOOD LAMP, LEDWD-1L10 (INCLUDES HARDWARE)
5	10-22427	LEAD CONNECTOR, DEUTSCH DT06-2S (NOT SHOWN)
6	10-22399	SWITCH BOX ONLY
7	10-22397	CLAMP, 1/4"
8	10-19274	#14 X 5/8" SMS AB GR 5 PLTD
9	10-22286	TRANSPORT CHAIN LUG
10	10-22396	8-18 X 3/4" TEK SCREW
11	10-18955	3/8" X 1" NC BOLT GR 5 PLTD (8" ONLY)
11	10-19231	1/2" X 1" NC BOLT GR 5 PLTD (10" ONLY)
12	10-19604	3/8" LOCK WASHER PLTD (8" ONLY)
12	10-19605	1/2" LOCK WASHER PLTD (10" ONLY)
13	10-22446	FUSE, BUSS AGC 20A (NOT SHOWN)
14	10-22424	WEATHER PACK SHROUD, 1 POS (NOT SHOWN)
15	10-22425	WEATHER PACK TOWER, 1 POS (NOT SHOWN)
16	9900622	CONNECTOR, TAP-IN SPLICE, 16-14 GA (NOT SHOWN)
17	10-23129	ENGINE POWER SPLICE HARNESS (NOT SHOWN)

INTAKE HOPPER KIT, 8" (A260)

1



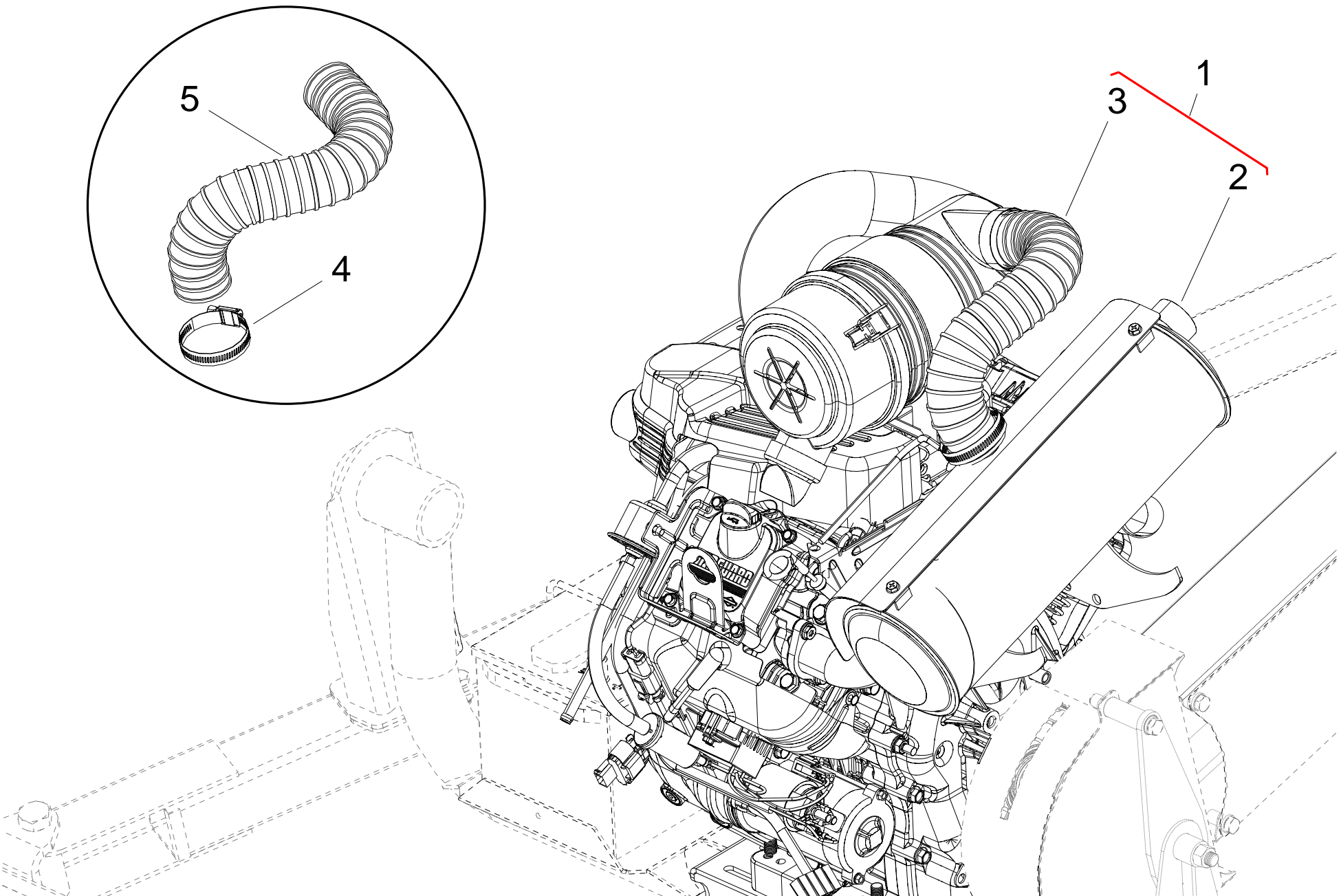
INTAKE HOPPER KIT, 8" (A260)

ITEM	PART NO.	DESCRIPTION
1	05-A260	INTAKE HOPPER KIT
2	10-29318	INTAKE HOPPER ASSEMBLY
3	10-29317	INTAKE HOPPER ONLY
4	10-29175	HIGH ANGLE LP U-JOINT
4A	10-17029	CROSS KIT
5	10-29329	BUSHING SUPPORT, W/ BUSHING
6	10-19322	1-1/4" BEARING, 2-BOLT (w/ FLANGES)
6A	10-18695	2-BOLT FLANGE ONLY
6B	10-18853	1-1/4" BEARING ONLY
7	10-29323	DOOR PIN
8	10-29809	TRANSPORT CHANNEL
9	10-22050	BELTING ATTACH STRAP (MEDIUM)
10	10-22049	BELTING STRAP (SHORT)
11	10-19648	SADDLE PIN
12	10-29320	INTAKE HOPPER FLIGHTING
13	10-29806	INTAKE HOPPER TRANSITION
14	10-29333	BOTTOM TUBE CLAMP
15	10-29332	TOP TUBE CLAMP
16	10-29805	TRANSITION FLIGHT
17	10-29338	BEARING SUPPORT PLATE
18	10-29355	CLEANOUT COVER
19	10-29353	INTAKE HOPPER RUBBER EXT.
20	10-29354	RUBBER CONNECT PLATE
21	10-29336	INTAKE HOPPER TOW BAR
22	10-23615	8" OFFSET HITCH ADAPTER (HD SP KIT ONLY)
23	10-21968	8" TRANSITION ACCESS DOOR
24	10-21779	TRANSITION BELT
25	10-21806	REG TRANSITION BELT STRAP
26	10-19149	BUSHING, 1"
27	10-17383	3610 GRIP CLIP
28	10-19463	210 HITCH PIN
29	10-18185	ASF\0621 RIVET (LARGE FLANGE)
30	10-20399	3/16" X 5/8" GRIP ALUM RIVET
31	10-19224	1/4" X 1" WOODRUFF KEY PLAIN
32	10-18186	1" X 13/64" X 18 GA WASHER PLTD
33	10-19222	GREASE FTG ZERK 1/4-28 SAE CZ PLTD
34	10-19225	SETSCREW, 3/8" UNC X 3/8" REGULAR
35	10-19596	3/8" NC SERRATED FLANGE NUT PLTD
36	10-19590	5/8" X 1-1/2" NC BOLT GR 8 PLTD
37	10-18698	7/16" X 1-1/4" NC BOLT GR 8 PLTD
38	10-18699	3/8" X 2-1/2" NC BOLT GR 5 PLTD
39	10-19595	5/16" NC SERRATED FLANGE NUT PLTD
40	10-19600	5/8" NC NYLON LOCKNUT PLTD
41	10-19598	7/16" NC NYLON LOCKNUT GR 2 PLTD
42	10-18955	3/8" X 1" NC BOLT GR 5 PLTD
43	10-17402	3/8" NC NYLON LOCKNUT PLTD
44	10-18947	1/2" X 4" NC BOLT GR 8 PLTD
45	10-19599	1/2" NC NYLON LOCKNUT GR 2 PLTD

INTAKE HOPPER KIT, 10" (A249)

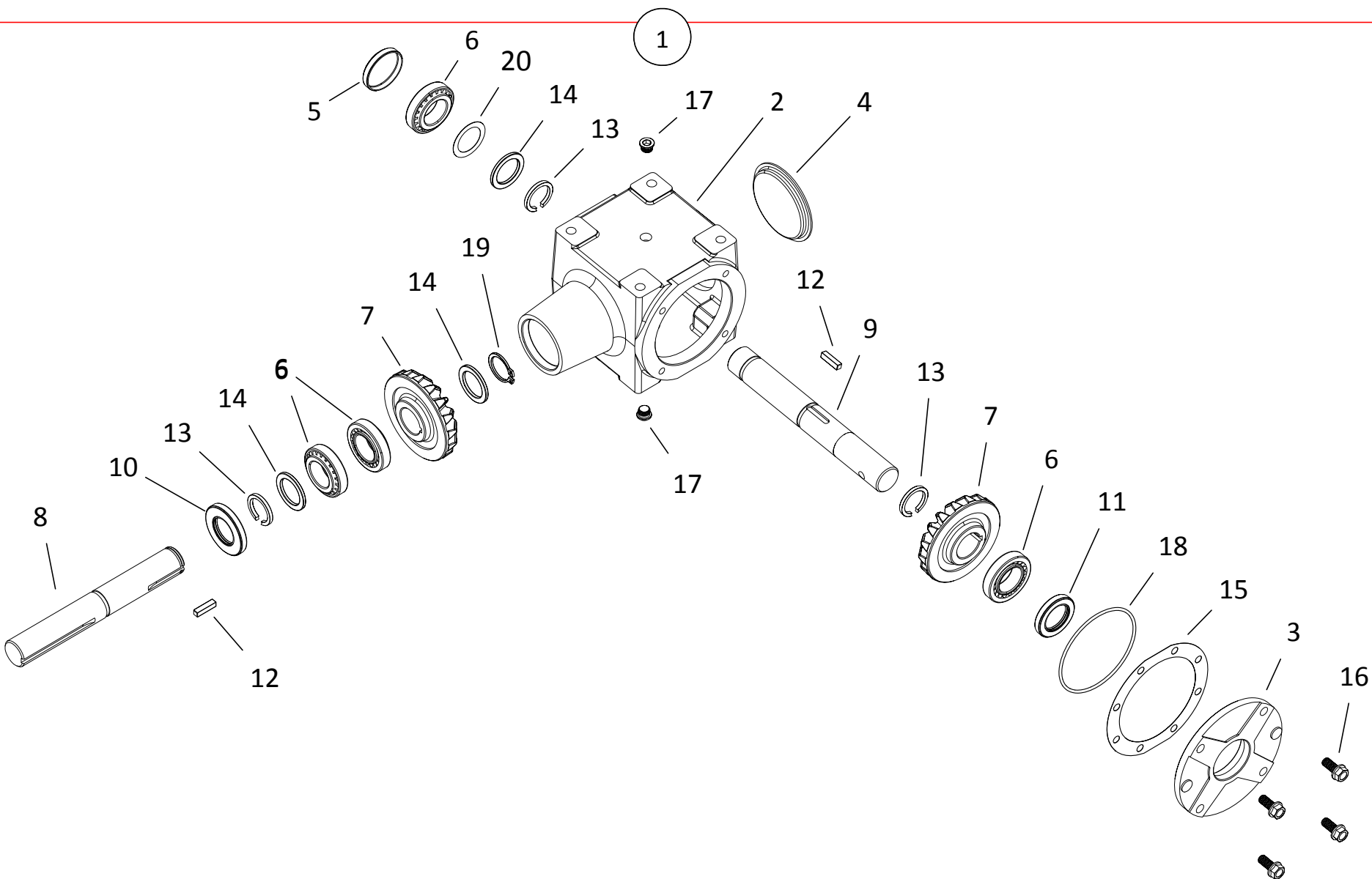
ITEM	PART NO.	DESCRIPTION
1	05-A249	INTAKE HOPPER KIT
2	10-29319	INTAKE HOPPER ASSEMBLY
3	10-29317	INTAKE HOPPER ONLY
4	10-29175	HIGH ANGLE LP U-JOINT
4A	10-17029	CROSS KIT
5	10-29331	BUSHING SUPPORT, W/ BUSHING
6	10-19322	1-1/4" BEARING, 2-BOLT (w/ FLANGES)
6A	10-18695	2-BOLT FLANGE ONLY
6B	10-18853	1-1/4" BEARING ONLY
7	10-29323	DOOR PIN
8	10-29337	TRANSPORT CHANNEL
9	10-22050	BELTING ATTACH STRAP (MEDIUM)
10	10-22049	BELTING STRAP (SHORT)
11	10-19648	SADDLE PIN
12	10-29321	INTAKE HOPPER FLIGHTING
13	10-29325	INTAKE HOPPER TRANSITION
14	10-29335	BOTTOM TUBE CLAMP
15	10-29334	TOP TUBE CLAMP
16	10-29328	TRANSITION FLIGHT
17	10-29338	BEARING SUPPORT PLATE
18	10-29355	CLEANOUT COVER
19	10-29353	INTAKE HOPPER RUBBER EXT.
20	10-29354	RUBBER CONNECT PLATE
21	10-29336	INTAKE HOPPER TOW BAR
22	10-23039	10" OFFSET HITCH ADAPTER (HD SP KIT ONLY)
23	10-21775	10" TRANSITION ACCESS DOOR
24	10-21779	TRANSITION BELT
25	10-21806	REG TRANSITION BELT STRAP
26	10-19149	BUSHING, 1"
27	10-17383	3610 GRIP CLIP
28	10-19463	210 HITCH PIN
29	10-18185	ASF\0621 RIVET (LARGE FLANGE)
30	10-20399	3/16" X 5/8" GRIP ALUM RIVET
31	10-19224	1/4" X 1" WOODRUFF KEY PLAIN
32	10-18186	1" X 13/64" X 18 GA WASHER PLTD
33	10-19222	GREASE FTG ZERK 1/4-28 SAE CZ PLTD
34	10-19225	SETSCREW, 3/8" UNC X 3/8" REGULAR
35	10-19596	3/8" NC SERRATED FLANGE NUT PLTD
36	10-19590	5/8" X 1-1/2" NC BOLT GR 8 PLTD
37	10-18698	7/16" X 1-1/4" NC BOLT GR 8 PLTD
38	10-28746	3/8" X 3-1/4" NC BOLT GR 5 PLTD
39	10-19595	5/16" NC SERRATED FLANGE NUT PLTD
40	10-19600	5/8" NC NYLON LOCKNUT PLTD
41	10-19598	7/16" NC NYLON LOCKNUT GR 2 PLTD
42	10-18955	3/8" X 1" NC BOLT GR 5 PLTD
43	10-17402	3/8" NC NYLON LOCKNUT PLTD
44	10-18947	1/2" X 4" NC BOLT GR 8 PLTD
45	10-19599	1/2" NC NYLON LOCKNUT GR 2 PLTD

VANGUARD COLD WEATHER KIT (23746)



VANGUARD COLD WEATHER KIT (23746)

ITEM	PART NO.	DESCRIPTION
1	10-23746	VANGUARD COLD WEATHER KIT W/MUFFLER
2	10-23620	VANGUARD MUFFLER
3	10-23633	VANGUARD COLD WEATHER KIT
4	10-23732	HOSE CLAMP, NON SLIP, SAE 32
5	10-23738	2" HIGH TEMP DUCTING - 16" LONG



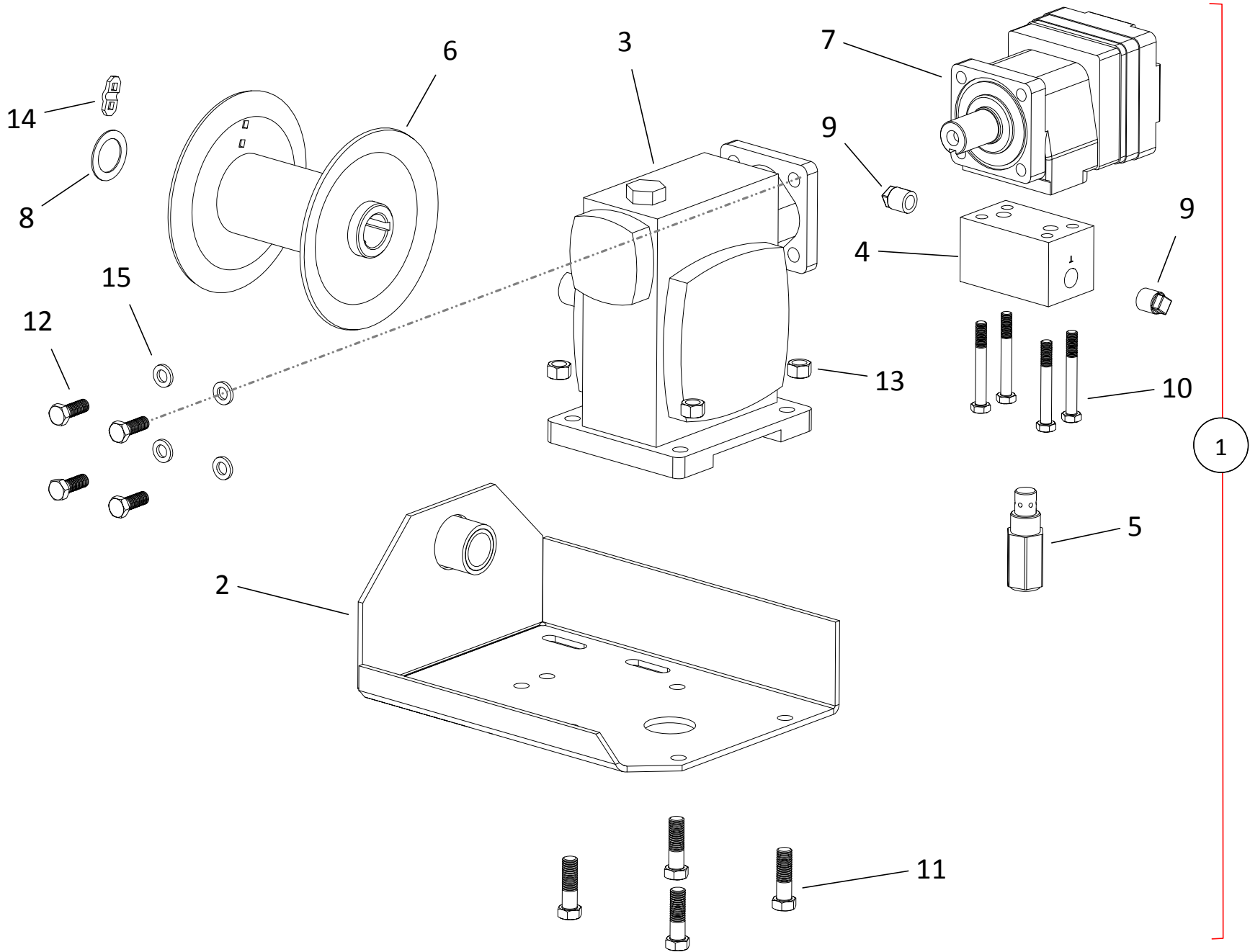
GEARBOX (29676)

ITEM	PART NO.	DESCRIPTION
1	10-29676	GEARBOX
2	10-17173	HOUSING
3	10-18423	GEARBOX CAP
4	10-17177	GEARBOX COVER/STAMPING
5	10-18963	GEARBOX EXPANSION PLUG
6	10-19265	CONE BEARING
6	10-19266	CUP
7	10-18428	GEARBOX GEAR
8	10-20429	GEARBOX SHAFT
9	10-17176	GEARBOX SHAFT
10	10-18427	SEAL
11	10-18403	GEARBOX SEAL
12	10-18425	SQUARE KEY, 1/4" X 1-1/8"
13	10-18405	GEARBOX SNAP RING
14	10-18426	GEARBOX SPACER
15	10-18553	GASKET, GEARBOX SHIM
16	10-19955	3/8" X 1" NC BOLT GR 5 BLACK
17	10-18393	1/4 SOLID GEARBOX PLUG
18	10-27701	O-RING, 105 X 3.1MM
19	10-18962	GEARBOX SNAP RING
20	10-18411	GEARBOX SHIM

REVERSIBLE GEARBOX (29322)

ITEM	PART NO.	DESCRIPTION
1	10-29322	REVERSIBLE LARGE SD GEARBOX
2	10-22038	HOUSING
3	10-18423	GEARBOX CAP
4	10-19265	CONE BEARING
4	10-19266	CUP
5	10-18428	GEARBOX GEAR
6	10-22055	GEAR DP 4 TEETH 17, NO KEYWAY
7	10-22040	SHAFT, QUILL
8	10-22041	SHAFT, CROSS
9	10-18422	GEARBOX PINION HOUSING
10	10-19955	3/8" X 1" NC BOLT GR 5 BLACK
11	10-18394	1/4 VENT GEARBOX PLUG
12	10-22044	SPLINE BUSHING
13	10-22045	SHIFTER ASSEMBLY
14	10-22046	LOCKNUT, M30 X 1.5
15	10-22047	BEARING, 16006
16	10-22048	1/8" NPT RELIEF PLUG
17	10-17177	GEARBOX COVER/STAMPING
18	10-18427	SEAL
19	10-18403	GEARBOX SEAL
20	10-18425	SQUARE KEY, 1/4" X 1-1/8"
21	10-18963	GEARBOX EXPANSION PLUG
22	10-27701	O-RING, 105 X 3.1MM
23	10-18553	GASKET, GEARBOX SHIM
24	10-22042	RETAINING SHIM

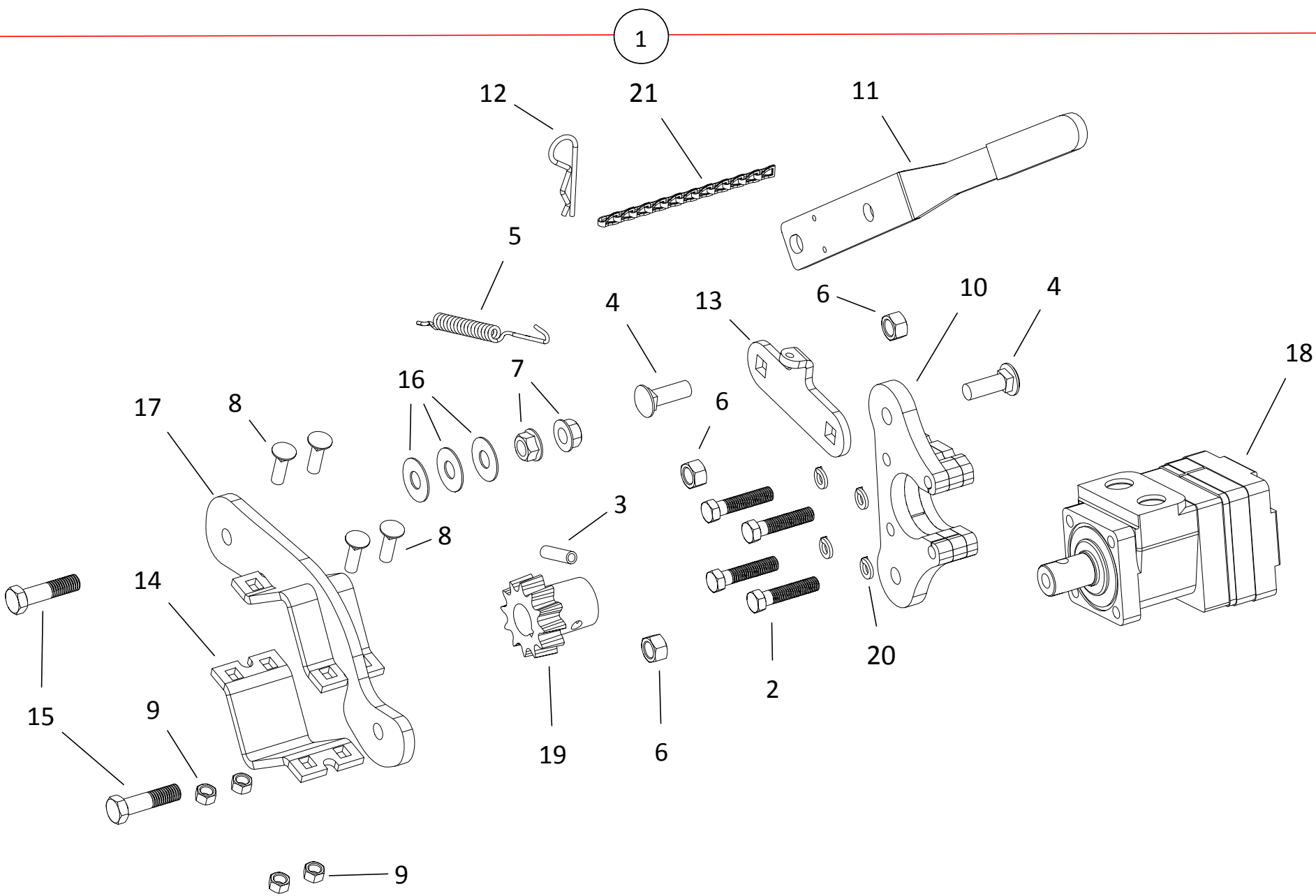
HYDRAULIC WINCH (23515)



HYDRAULIC WINCH (23515)

ITEM	PART NO.	DESCRIPTION
1	10-23515	HYDRAULIC WINCH ASSEMBLY, RED
2	10-17628	HYD WINCH FRAME ASSEMBLY, RED
3	10-17625	HYDRAULIC WINCH GEARBOX
4	10-28221	HYD MOTOR BYPAS VALVE
5	10-28222	RELIEF VALVE
6	10-17629	HYD WINCH DRUM, RED
7	10-17626	HYDRAULIC MOTOR
8	10-18097	1" RIM WASHER PLTD
9	0308013	3/8" NPT PLASTIC PLUG
10	10-17631	5/16" X 2-1/2" NC BOLT GR 2 PLTD
11	10-28744	7/16" X 1-1/2" NC BOLT GR 5 PLTD
12	10-18955	3/8" X 1" NC BOLT GR 5 PLTD
13	10-19598	7/16" NC NYLON LOCKNUT GR 2 PLTD
14	10-18496	WINCH KEEPER KIT
15	10-19604	3/8" LOCK WASHER PLTD

SP KIT GEAR DRIVE COMPONENTS



SP KIT GEAR DRIVE COMPONENTS

ITEM	PART NO.	DESCRIPTION
1	0200015EL	OC ASSY COMPLETE W/ MTR/PIN, LH
1	0200015ER	OC ASSY COMPLETE W/ MTR/PIN, RH
2	10-27979	3/8" X 2" NC BOLT GR 5 PLTD
3	10-28260	ROLL PIN, 3/8" X 1-1/2"
4	10-17807	1/2"X1-1/2"CARRIAGE BOLT GR 2 PLTD
5	10-28186	HANDLE SPRING
6	10-22267	1/2" 2-WAY LOCK NUT PLTD
7	10-28261	1/2" SERRATED FLANGE NUT GR 2 PLTD
8	9900980	3/8" X 1-1/4" CARRIAGE BOLT GR5 PLT
9	10-17402	3/8" NC NYLON LOCKNUT PLTD
10	10-29947	EYEGLOSS, SP KIT
11	10-28188	HANDLE W/ GRIP
12	10-19463	210 HITCH PIN
13	10-28185	HANDLE LINK ARM
14	0200347	AXLE CLAMP,BOLT ON 2.5" SQR TUB
15	10-27816	1/2" X 2" NC BOLT GR 5 PLTD
16	10-17401	1/2" FLAT WASHER PLTD
17	0200348	SQUARE AXLE CLAMP 2.5",BOLT ON TOP
18	10-28183	ORBIT HYDRAULIC MOTOR
19	10-28181	PINION GEAR W/ ROLL PIN
20	10-19604	3/8" LOCK WASHER PLTD
21	10-22272	CHAIN, DRIVE LOCK

WESTFIELD 

P.O. Box 39

Rosenort, Manitoba, R0G 1W0 Canada

Phone: (866) 467-7207 (Canada & USA) or (204) 746-2396

Fax: (866) 768-4852

website: www.grainaugers.com

email: sales@grainaugers.com

© Ag Growth International Inc. 2018

Printed in Canada

AGI 