



WESTFIELD

PARTS MANUAL

TFX SERIES AUGER

BOX 39, ROSENORT, MANITOBA, CANADA R0G 1W0
PHONE: (866) 467-7207 (CANADA & USA)
FAX: (866) 768-4852
WEBSITE: WWW.GRAINAUGERS.COM
EMAIL: SALES@GRAINAUGERS.COM



REVISED: 21/07/2015

TABLE OF CONTENTS

DESCRIPTION	PAGE
TFX AUGER 831	4
TFX AUGER 836	10
TFX AUGER 1031	16
TFX AUGER 1036	22
TFX AUGER 841	28
TFX AUGER 846	34
TFX AUGER 851	40
TFX AUGER 1041	46
TFX PTO PARTS	52
TFX MOTOR DRIVE	54
TFX IDLER	56

TFX AUGER 831

ITEM	PART NO.	DESCRIPTION
1A	10-28931	UPPER TUBE AS SHIPPED
1B	10-28948	UPPER TUBE ONLY
2	10-17156	WELD ON SPOUT
2A	10-29306	strap-on outlet
3	10-19402	UPPER FLIGHT
4	10-28952	UPPER DRIVESHAFT
5A	10-19062	LOWER TUBE AS SHIPPED
5B	10-19390	LOWER TUBE ONLY
6	10-19393	LOWER FLIGHT
8	10-18823	WINCH CABLE
9	10-28946	UPPER LIFT ARM
10A	10-19478	B210 BELT
11	10-19398	INTAKE HITCH ASSEMBLY W/ BUSHING AND GREASE FITTING
12	10-17123	CLEVIS
13	10-17534	SLIP ON INTAKE FLIGHT
14A	10-19432	60B37 ROLLER CHAIN W/ CONNECTOR
15	10-19433	60B CHAIN CONNECTOR
16	10-19430	SPROCKET, 60B14 X 1" BORE
17A	10-19431	SPROCKET, 60B25 X 1" BORE
18	10-17158	CHAIN HEAD COVER
19	10-19149	REPLACEMENT BUSHING
20A	10-19545	BOLT, 7/16" X 2-1/4" GR8
21	10-28358	TFX GEARBOX AS SHIPPED
22	10-19473	TFX GEARBOX ONLY
23	10-17592	FLEX COUPLER
24	10-19633	GEARBOX MOUNT PLATE
25	10-28935	MAIN AXLE
26	10-19263	REPLACEMENT SPINDLE
27	10-28933	UPPER CHANNEL
28	10-28937	LOWER CHANNEL
29	10-28934	WINCH MOUNT
30	10-27862	CABLE RETURN
31	10-19152	K1550 WINCH
32	10-27849	31/36 SUB-AXLE
33	10-28941	LOWER FRAME TUBE
34	10-28944	BASE PLATE, RIGHT
35	10-28945	BASE PLATE, LEFT
36	10-18763	TRACK SHOE
37	10-28940	UPPER CHANNEL BRACE
38	10-18762	TRACK STOP
39	10-18691	1-1/4" WOOD BEARING
40	10-19257	SPROCKET BOX TAB
41	10-17168	62MM GASKET
42	10-17167	52MM GASKET
43	10-19119	1" DRIVESHAFT COUPLER
44	10-19321	1" BEARING, 2-BOLT (W/ FLANGES)
45	10-18817	1" BEARING ONLY
46	10-18694	1" BEARING FLANGE
47	10-19322	1-1/4" BEARING, 2-BOLT (W/ FLANGES)
48	10-18853	1-1/4" BEARING ONLY

TFX AUGER 831

ITEM	PART NO.	DESCRIPTION
49	10-18695	1-1/4" BEARING FLANGE
50	10-17179	HEAD COVER PLUG
51	10-18533	15" DOUBLE GROOVE PULLEY - B SIZE
52	10-19222	PRESS IN GREASE FITTING
53	10-19467	COMPLETE HUB ASSEMBLY
54	10-19264	SEAL
55	10-19265	LARGE BEARING, TIMKEN #LM67048
56	10-19266	LARGE CUP, TIMKEN #LM67010
57	10-19267	HUB WITH CUPS
58	10-19268	SMALL CUP, TIMKEN #LM11910
59	10-19269	SMALL BEARING, TIMKEN #LM11949
60	10-19270	CASTLE NUT, 3/4" - 16
61	10-19271	COTTER PIN, 1/8" X 1-1/2"
62	10-19272	DUST CAP
63	10-19261	15 X 4.5 X 4 BOLT WHEEL
64	10-19273	WHEEL BOLT, 1/2" - 20
65	10-19627	SDG ATTACH PLATE
66	10-19626	FLEX COUPLER GUARD
67	10-28913	UPPER SHIELD BACKING PLATE
68	10-28914	UPPER SHIELD FACE
69	10-18829	60" DRIVESHAFT SHIELD
70	10-19255	48" DRIVESHAFT SHIELD
71	10-19256	DRIVESHAFT GUARD STRAP
72	10-19274	1/4" SHEET METAL SCREW
73	10-19537	BOLT, 1/4" X 1/2" GR5
74	10-19988	BOLT, 1/4" X 1" GR2
75	10-19538	BOLT, 5/16" X 3/4" GR2
76	10-17631	BOLT, 5/16" X 2-1/2" GR2
77	10-19540	BOLT, 3/8" X 3/4" GR2
78	10-18955	BOLT, 3/8" X 1" GR5
79	10-18699	BOLT, 3/8" X 2-1/2" GR5
80	10-18698	BOLT, 7/16" X 1-1/4" GR8
81	10-19590	BOLT, 5/8" X 1-1/2" GR5
82	10-19991	BOLT, 5/8" X 2" GR5
83	10-19591	BOLT, 5/8" X 6-1/2" GR5
84	10-19594	FLANGE NUT, 1/4" PLTD
85	10-19595	WHIZNUT, 5/16" PLTD
86	10-19596	WHIZNUT, 3/8" PLTD
87	10-17402	NYLON LOCKNUT, 3/8" PLTD
88	10-19598	NYLON LOCKNUT, 7/16" PLTD
89	10-19600	LOCKNUT, 5/8" PLTD
90	10-19604	LOCKWASHER, 3/8"
91	10-17181	5/8" CLEVIS PIN
92	10-17383	HAIR CLIP
93	10-19147	1/4" CABLE CLAMP
94	10-19224	1/4" X 1" WOODRUFF KEY
95	10-19225	3/8" X 3/8" SET SCREW
96	10-19606	1/4" SQUARE X 1.5" KEY
97	10-19886	YELLOW TOUCH UP PAINT
97A	10-28721	RED TOUCH UP PAINT

TFX AUGER 831

ITEM	PART NO.	DESCRIPTION
98	10-19467	HUB ASSEMBLY, COMPLETE
99	10-19264	SEAL
100	10-19265	LARGE BEARING, TIMKEN #LM67048
101	10-19266	LARGE CUP, TIMKEN #LM67010
102	10-19267	HUB W/ CAPS
103	10-19268	SMALL CUP, TIMKEN #LM11910
104	10-19269	SMALL BEARING, TIMKEN #LM11949
105	10-19270	SLOTTED NUT, 3/4" - 16
106	10-19272	DUST CAP
107	10-19261	15" WHEEL, 4 BOLT
108	10-19273	WHEEL BOLT 1/2" - 20
109	10-19271	COTTER PIN, 1/8" X 1-1/2"
110	10-17172	Upper drive housing
111C	10-17167	Gasket for 1" flangette bearing
111B	10-18694	1" Bearing flange, single
111A	10-18817	1" Bearing, less flange
111	10-19321	1" Flangette bearing, 2 bolt
112B	10-17168	Gasket for 1-1/4" flangette bearing
112A	10-18853	1-1/4" Bearing, less flange
112	10-19322	1-1/4" Bearing flange, 2 bolt
113	10-19595	Whiznut, 5/16"
114	10-19596	Whiznut, 3/8"
115	10-19430	Upper sprocket
116	10-19431	Lower sprocket, 60825
117	10-19225	Setscrew, 3/8" - 16 x 3/8"
118	10-19224	Woodruff key, 1/4" x 1"
119	10-19432	Roller chain w/connector
119A	10-19433	Roller chain connector only
120	10-17158	Oil bath housing cover
121	10-17179	3/8" Oil bath plug
122	10-17749	Bolt, 5/16" - 18 x 3/4"
123	10-18184	Bolt, 3/8" - 16 x 3/4"
124	10-19988	Bolt, 1/4" x 1" GR2
125	10-19594	Whiznut, 1/4"
127	10-19599	Locknut, 1/2"
128	10-18695	1-1/4" Bearing flange, single
129	10-17182	7/16" Track Washer

TFX AUGER 836

ITEM	PART NO.	DESCRIPTION
1A	10-28931	UPPER TUBE AS SHIPPED
1B	10-28948	UPPER TUBE ONLY
2	10-17156	WELD ON SPOUT
2A	10-29306	strap-on outlet
3	10-19402	UPPER FLIGHT
4	10-28952	UPPER DRIVESHAFT
5B	10-27822	LOWER TUBE ONLY
5A	10-27851	LOWER TUBE AS SHIPPED
6	10-19407	LOWER FLIGHT
7	10-28986	LOWER DRIVESHAFT
8	10-28201	WINCH CABLE
9	10-28947	UPPER LIFT ARM
10B	10-19479	B240 BELT
11	10-19398	INTAKE HITCH ASSEMBLY W/ BUSHING AND GREASE FITTING
12	10-17123	CLEVIS
13	10-17534	SLIP ON INTAKE FLIGHT
14A	10-19432	60B37 ROLLER CHAIN W/ CONNECTOR
15	10-19433	60B CHAIN CONNECTOR
16	10-19430	SPROCKET, 60B14 X 1" BORE
17A	10-19431	SPROCKET, 60B25 X 1" BORE
18	10-17158	CHAIN HEAD COVER
19	10-19149	REPLACEMENT BUSHING
20A	10-19545	BOLT, 7/16" X 2-1/4" GR8
21	10-28358	TFX GEARBOX AS SHIPPED
22	10-19473	TFX GEARBOX ONLY
23	10-17592	FLEX COUPLER
24	10-19633	GEARBOX MOUNT PLATE
25	10-28935	MAIN AXLE
26	10-19263	REPLACEMENT SPINDLE
27	10-28933	UPPER CHANNEL
28	10-28937	LOWER CHANNEL
29	10-28934	WINCH MOUNT
30	10-27862	CABLE RETURN
31	10-19152	K1550 WINCH
32	10-27849	31/36 SUB-AXLE
33	10-28941	LOWER FRAME TUBE
34	10-28944	BASE PLATE, RIGHT
35	10-28945	BASE PLATE, LEFT
36	10-18763	TRACK SHOE
37	10-28940	UPPER CHANNEL BRACE
38	10-18762	TRACK STOP
39	10-18691	1-1/4" WOOD BEARING
40	10-19257	SPROCKET BOX TAB
41	10-17168	62MM GASKET
42	10-17167	52MM GASKET
43	10-19119	1" DRIVESHAFT COUPLER
44	10-19321	1" BEARING, 2-BOLT (W/ FLANGES)
45	10-18817	1" BEARING ONLY
46	10-18694	1" BEARING FLANGE
47	10-19322	1-1/4" BEARING, 2-BOLT (W/ FLANGES)

TFX AUGER 836

ITEM	PART NO.	DESCRIPTION
48	10-18853	1-1/4" BEARING ONLY
49	10-18695	1-1/4" BEARING FLANGE
50	10-17179	HEAD COVER PLUG
51	10-18533	15" DOUBLE GROOVE PULLEY - B SIZE
52	10-19222	PRESS IN GREASE FITTING
53	10-19467	COMPLETE HUB ASSEMBLY
54	10-19264	SEAL
55	10-19265	LARGE BEARING, TIMKEN #LM67048
56	10-19266	LARGE CUP, TIMKEN #LM67010
57	10-19267	HUB WITH CUPS
58	10-19268	SMALL CUP, TIMKEN #LM11910
59	10-19269	SMALL BEARING, TIMKEN #LM11949
60	10-19270	CASTLE NUT, 3/4" - 16
61	10-19271	COTTER PIN, 1/8" X 1-1/2"
62	10-19272	DUST CAP
63	10-19261	15 X 4.5 X 4 BOLT WHEEL
64	10-19273	WHEEL BOLT, 1/2" - 20
65	10-19627	SDG ATTACH PLATE
66	10-19626	FLEX COUPLER GUARD
67	10-28913	UPPER SHIELD BACKING PLATE
68	10-28914	UPPER SHIELD FACE
69	10-18829	60" DRIVESHAFT SHIELD
70	10-19255	48" DRIVESHAFT SHIELD
71	10-19256	DRIVESHAFT GUARD STRAP
72	10-19274	1/4" SHEET METAL SCREW
73	10-19537	BOLT, 1/4" X 1/2" GR5
74	10-19988	BOLT, 1/4" X 1" GR2
75	10-19538	BOLT, 5/16" X 3/4" GR2
76	10-17631	BOLT, 5/16" X 2-1/2" GR2
77	10-19540	BOLT, 3/8" X 3/4" GR2
78	10-18955	BOLT, 3/8" X 1" GR5
79	10-18699	BOLT, 3/8" X 2-1/2" GR5
80	10-18698	BOLT, 7/16" X 1-1/4" GR8
81	10-19590	BOLT, 5/8" X 1-1/2" GR5
82	10-19991	BOLT, 5/8" X 2" GR5
83	10-19591	BOLT, 5/8" X 6-1/2" GR5
84	10-19594	FLANGE NUT, 1/4" PLTD
85	10-19595	WHIZNUT, 5/16" PLTD
86	10-19596	WHIZNUT, 3/8" PLTD
87	10-17402	NYLON LOCKNUT, 3/8" PLTD
88	10-19598	NYLON LOCKNUT, 7/16" PLTD
89	10-19600	LOCKNUT, 5/8" PLTD
90	10-19604	LOCKWASHER, 3/8"
91	10-17181	5/8" CLEVIS PIN
92	10-17383	HAIR CLIP
93	10-19147	1/4" CABLE CLAMP
94	10-19224	1/4" X 1" WOODRUFF KEY
95	10-19225	3/8" X 3/8" SET SCREW
96	10-19606	1/4" SQUARE X 1.5" KEY
97	10-19886	YELLOW TOUCH UP PAINT

TFX AUGER 836

ITEM	PART NO.	DESCRIPTION
97A	10-28721	RED TOUCH UP PAINT
98	10-19467	HUB ASSEMBLY, COMPLETE
99	10-19264	SEAL
100	10-19265	LARGE BEARING, TIMKEN #LM67048
101	10-19266	LARGE CUP, TIMKEN #LM67010
102	10-19267	HUB W/ CAPS
103	10-19268	SMALL CUP, TIMKEN #LM11910
104	10-19269	SMALL BEARING, TIMKEN #LM11949
105	10-19270	SLOTTED NUT, 3/4" - 16
106	10-19272	DUST CAP
107	10-19261	15" WHEEL, 4 BOLT
108	10-19273	WHEEL BOLT 1/2" - 20
109	10-19271	COTTER PIN, 1/8" X 1-1/2"
110	10-17172	Upper drive housing
111C	10-17167	Gasket for 1" flangette bearing
111B	10-18694	1" Bearing flange, single
111A	10-18817	1" Bearing, less flange
111	10-19321	1" Flangette bearing, 2 bolt
112B	10-17168	Gasket for 1-1/4" flangette bearing
112A	10-18853	1-1/4" Bearing, less flange
112	10-19322	1-1/4" Bearing flange, 2 bolt
113	10-19595	Whiznut, 5/16"
114	10-19596	Whiznut, 3/8"
115	10-19430	Upper sprocket
116	10-19431	Lower sprocket, 60825
117	10-19225	Setscrew, 3/8" - 16 x 3/8"
118	10-19224	Woodruff key, 1/4" x 1"
119	10-19432	Roller chain w/connector
119A	10-19433	Roller chain connector only
120	10-17158	Oil bath housing cover
121	10-17179	3/8" Oil bath plug
122	10-17749	Bolt, 5/16" - 18 x 3/4"
123	10-18184	Bolt, 3/8" - 16 x 3/4"
124	10-19988	Bolt, 1/4" x 1" GR2
125	10-19594	Whiznut, 1/4"
127	10-19599	Locknut, 1/2"
128	10-18695	1-1/4" Bearing flange, single
129	10-17182	7/16" Track Washer

TFX AUGER 1031

ITEM	PART NO.	DESCRIPTION
1A	10-28932	UPPER TUBE AS SHIPPED
1B	10-28949	UPPER TUBE ONLY
2	10-17225	WELD ON SPOUT
2A	10-29307	strap-on outlet
3	10-19753	UPPER FLIGHT
4	10-28952	UPPER DRIVESHAFT
5B	10-19735	LOWER TUBE ONLY
5A	10-19736	LOWER TUBE AS SHIPPED
6	10-19754	LOWER FLIGHT
8	10-18823	WINCH CABLE
9	10-28946	UPPER LIFT ARM
10A	10-19478	B210 BELT
11	10-19774	INTAKE HITCH ASSEMBLY W/ BUSHING AND GREASE FITTING
12	10-17180	CLEVIS
13	10-17535	SLIP ON INTAKE FLIGHT
14B	10-18696	60B43 ROLLER CHAIN W/ CONNECTOR
15	10-19433	60B CHAIN CONNECTOR
16	10-19430	SPROCKET, 60B14 X 1" BORE
17B	10-18697	SPROCKET, 60B30 X 1" BORE
18	10-17160	CHAIN HEAD COVER
19	10-19776	REPLACEMENT BUSHING
20B	10-19798	BOLT, 1/2" X 2-3/4" GR8
21	10-28358	TFX GEARBOX AS SHIPPED
22	10-19473	TFX GEARBOX ONLY
23	10-17592	FLEX COUPLER
24	10-19633	GEARBOX MOUNT PLATE
25	10-28935	MAIN AXLE
26	10-19263	REPLACEMENT SPINDLE
27	10-28933	UPPER CHANNEL
28	10-28937	LOWER CHANNEL
29	10-28934	WINCH MOUNT
30	10-27862	CABLE RETURN
31	10-19152	K1550 WINCH
32	10-27849	31/36 SUB-AXLE
33	10-28941	LOWER FRAME TUBE
34	10-28944	BASE PLATE, RIGHT
35	10-28945	BASE PLATE, LEFT
36	10-18763	TRACK SHOE
37	10-28940	UPPER CHANNEL BRACE
38	10-18762	TRACK STOP
39	10-18691	1-1/4" WOOD BEARING
40	10-19257	SPROCKET BOX TAB
41	10-17168	62MM GASKET
42	10-17167	52MM GASKET
43	10-19119	1" DRIVESHAFT COUPLER
44	10-19321	1" BEARING, 2-BOLT (W/ FLANGES)
45	10-18817	1" BEARING ONLY
46	10-18694	1" BEARING FLANGE
47	10-19322	1-1/4" BEARING, 2-BOLT (W/ FLANGES)
48	10-18853	1-1/4" BEARING ONLY

TFX AUGER 1031

ITEM	PART NO.	DESCRIPTION
49	10-18695	1-1/4" BEARING FLANGE
50	10-17179	HEAD COVER PLUG
51	10-18533	15" DOUBLE GROOVE PULLEY - B SIZE
52	10-19222	PRESS IN GREASE FITTING
53	10-19467	COMPLETE HUB ASSEMBLY
54	10-19264	SEAL
55	10-19265	LARGE BEARING, TIMKEN #LM67048
56	10-19266	LARGE CUP, TIMKEN #LM67010
57	10-19267	HUB WITH CUPS
58	10-19268	SMALL CUP, TIMKEN #LM11910
59	10-19269	SMALL BEARING, TIMKEN #LM11949
60	10-19270	CASTLE NUT, 3/4" - 16
61	10-19271	COTTER PIN, 1/8" X 1-1/2"
62	10-19272	DUST CAP
63	10-19261	15 X 4.5 X 4 BOLT WHEEL
64	10-19273	WHEEL BOLT, 1/2" - 20
65	10-19627	SDG ATTACH PLATE
66	10-19626	FLEX COUPLER GUARD
67	10-28913	UPPER SHIELD BACKING PLATE
68	10-28914	UPPER SHIELD FACE
69	10-18829	60" DRIVESHAFT SHIELD
70	10-19255	48" DRIVESHAFT SHIELD
71	10-19256	DRIVESHAFT GUARD STRAP
72	10-19274	1/4" SHEET METAL SCREW
73	10-19537	BOLT, 1/4" X 1/2" GR5
74	10-19988	BOLT, 1/4" X 1" GR2
75	10-19538	BOLT, 5/16" X 3/4" GR2
76	10-17631	BOLT, 5/16" X 2-1/2" GR2
77	10-19540	BOLT, 3/8" X 3/4" GR2
78	10-18955	BOLT, 3/8" X 1" GR5
79	10-18699	BOLT, 3/8" X 2-1/2" GR5
80	10-18698	BOLT, 7/16" X 1-1/4" GR8
81	10-19590	BOLT, 5/8" X 1-1/2" GR5
82	10-19991	BOLT, 5/8" X 2" GR5
83	10-19591	BOLT, 5/8" X 6-1/2" GR5
84	10-19594	FLANGE NUT, 1/4" PLTD
85	10-19595	WHIZNUT, 5/16" PLTD
86	10-19596	WHIZNUT, 3/8" PLTD
87	10-17402	NYLON LOCKNUT, 3/8" PLTD
88	10-19598	NYLON LOCKNUT, 7/16" PLTD
89	10-19600	LOCKNUT, 5/8" PLTD
90	10-19604	LOCKWASHER, 3/8"
91	10-17181	5/8" CLEVIS PIN
92	10-17383	HAIR CLIP
93	10-19147	1/4" CABLE CLAMP
94	10-19224	1/4" X 1" WOODRUFF KEY
95	10-19225	3/8" X 3/8" SET SCREW
96	10-19606	1/4" SQUARE X 1.5" KEY
97	10-19886	YELLOW TOUCH UP PAINT
97A	10-28721	RED TOUCH UP PAINT

TFX AUGER 1031

ITEM	PART NO.	DESCRIPTION
98	10-19467	HUB ASSEMBLY, COMPLETE
99	10-19264	SEAL
100	10-19265	LARGE BEARING, TIMKEN #LM67048
101	10-19266	LARGE CUP, TIMKEN #LM67010
102	10-19267	HUB W/ CAPS
103	10-19268	SMALL CUP, TIMKEN #LM11910
104	10-19269	SMALL BEARING, TIMKEN #LM11949
105	10-19270	SLOTTED NUT, 3/4" - 16
106	10-19272	DUST CAP
107	10-19261	15" WHEEL, 4 BOLT
108	10-19273	WHEEL BOLT 1/2" - 20
109	10-19271	COTTER PIN, 1/8" X 1-1/2"
110	10-17226	Upper drive housing
111C	10-17167	Gasket for 1" flangette bearing
111B	10-18694	1" Bearing flange, single
111A	10-18817	1" Bearing, less flange
111	10-19321	1" Flangette bearing, 2 bolt
112D	10-18852	1-1/4" Pillow block bearing only
112C	10-19567	1-1/4" Pillow block bearing
113	10-19595	Whiznut, 5/16"
114	10-19596	Whiznut, 3/8"
115	10-19430	Upper sprocket
116	10-29356	Lower sprocket, 60825
117	10-19225	Setscrew, 3/8" - 16 x 3/8"
118	10-19224	Woodruff key, 1/4" x 1"
118A	10-19606	1/4" x 1-1/2" SQ key
119	10-18696	Roller chain w/connector
119A	10-19433	Roller chain connector only
120	10-17160	Oil bath housing cover
121	10-17179	3/8" Oil bath plug
122	10-17749	Bolt, 5/16" - 18 x 3/4"
123	10-18184	Bolt, 3/8" - 16 x 3/4"
124	10-19988	Bolt, 1/4" x 1" GR2
125	10-19594	Whiznut, 1/4"
126	10-17746	Bolt, 1/2" x 1-1/2"
127	10-19599	Locknut, 1/2"
128	10-18695	1-1/4" Bearing flange, single
129	10-17182	7/16" Track Washer

TFX AUGER 1036

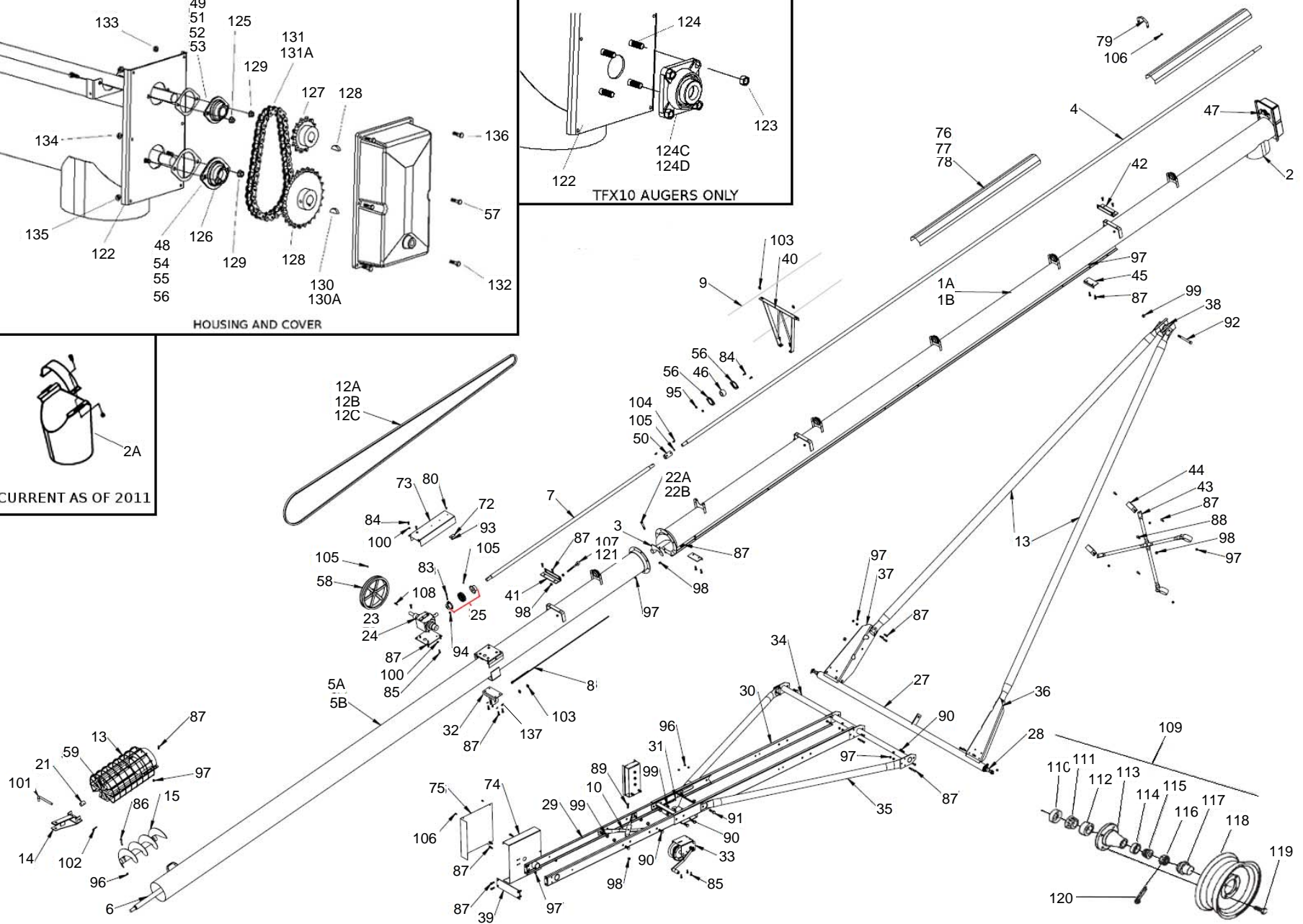
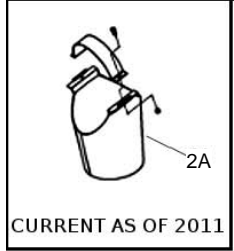
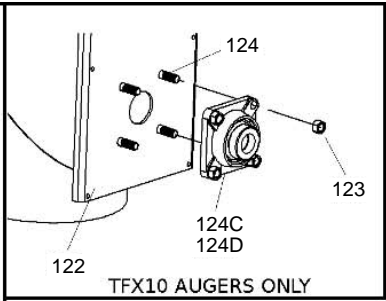
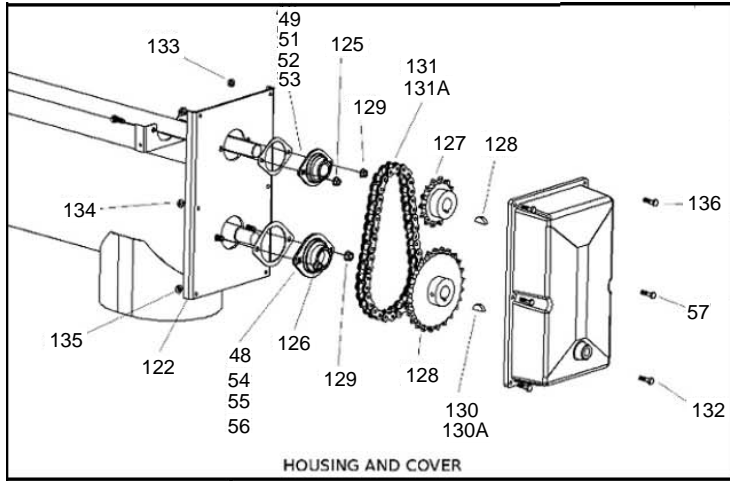
ITEM	PART NO.	DESCRIPTION
1A	10-28932	UPPER TUBE AS SHIPPED
1B	10-28949	UPPER TUBE ONLY
2	10-17225	WELD ON SPOUT
2A	10-29307	strap-on outlet
3	10-19753	UPPER FLIGHT
4	10-28952	UPPER DRIVESHAFT
5B	10-27829	LOWER TUBE ONLY
5A	10-27855	LOWER TUBE AS SHIPPED
6	10-19758	LOWER FLIGHT
7	10-27904	LOWER DRIVESHAFT
8	10-19249	WINCH CABLE
9	10-28947	UPPER LIFT ARM
10B	10-19479	B240 BELT
11	10-19774	INTAKE HITCH ASSEMBLY W/ BUSHING AND GREASE FITTING
12	10-17180	CLEVIS
13	10-17535	SLIP ON INTAKE FLIGHT
14B	10-18696	60B43 ROLLER CHAIN W/ CONNECTOR
15	10-19433	60B CHAIN CONNECTOR
16	10-19430	SPROCKET, 60B14 X 1" BORE
17B	10-18697	SPROCKET, 60B30 X 1" BORE
18	10-17160	CHAIN HEAD COVER
19	10-19776	REPLACEMENT BUSHING
20B	10-19798	BOLT, 1/2" X 2-3/4" GR8
21	10-28358	TFX GEARBOX AS SHIPPED
22	10-19473	TFX GEARBOX ONLY
23	10-17592	FLEX COUPLER
24	10-19633	GEARBOX MOUNT PLATE
25	10-28935	MAIN AXLE
26	10-19263	REPLACEMENT SPINDLE
27	10-28933	UPPER CHANNEL
28	10-28937	LOWER CHANNEL
29	10-28934	WINCH MOUNT
30	10-27862	CABLE RETURN
31	10-19152	K1550 WINCH
32	10-27849	31/36 SUB-AXLE
33	10-28941	LOWER FRAME TUBE
34	10-28944	BASE PLATE, RIGHT
35	10-28945	BASE PLATE, LEFT
36	10-18763	TRACK SHOE
37	10-28940	UPPER CHANNEL BRACE
38	10-18762	TRACK STOP
39	10-18691	1-1/4" WOOD BEARING
40	10-19257	SPROCKET BOX TAB
41	10-17168	62MM GASKET
42	10-17167	52MM GASKET
43	10-19119	1" DRIVESHAFT COUPLER
44	10-19321	1" BEARING, 2-BOLT (W/ FLANGES)
45	10-18817	1" BEARING ONLY
46	10-18694	1" BEARING FLANGE
47	10-19322	1-1/4" BEARING, 2-BOLT (W/ FLANGES)

TFX AUGER 1036

ITEM	PART NO.	DESCRIPTION
48	10-18853	1-1/4" BEARING ONLY
49	10-18695	1-1/4" BEARING FLANGE
50	10-17179	HEAD COVER PLUG
51	10-18533	15" DOUBLE GROOVE PULLEY - B SIZE
52	10-19222	PRESS IN GREASE FITTING
53	10-19467	COMPLETE HUB ASSEMBLY
54	10-19264	SEAL
55	10-19265	LARGE BEARING, TIMKEN #LM67048
56	10-19266	LARGE CUP, TIMKEN #LM67010
57	10-19267	HUB WITH CUPS
58	10-19268	SMALL CUP, TIMKEN #LM11910
59	10-19269	SMALL BEARING, TIMKEN #LM11949
60	10-19270	CASTLE NUT, 3/4" - 16
61	10-19271	COTTER PIN, 1/8" X 1-1/2"
62	10-19272	DUST CAP
63	10-19261	15 X 4.5 X 4 BOLT WHEEL
64	10-19273	WHEEL BOLT, 1/2" - 20
65	10-19627	SDG ATTACH PLATE
66	10-19626	FLEX COUPLER GUARD
67	10-28913	UPPER SHIELD BACKING PLATE
68	10-28914	UPPER SHIELD FACE
69	10-18829	60" DRIVESHAFT SHIELD
70	10-19255	48" DRIVESHAFT SHIELD
71	10-19256	DRIVESHAFT GUARD STRAP
72	10-19274	1/4" SHEET METAL SCREW
73	10-19537	BOLT, 1/4" X 1/2" GR5
74	10-19988	BOLT, 1/4" X 1" GR2
75	10-19538	BOLT, 5/16" X 3/4" GR2
76	10-17631	BOLT, 5/16" X 2-1/2" GR2
77	10-19540	BOLT, 3/8" X 3/4" GR2
78	10-18955	BOLT, 3/8" X 1" GR5
79	10-18699	BOLT, 3/8" X 2-1/2" GR5
80	10-18698	BOLT, 7/16" X 1-1/4" GR8
81	10-19590	BOLT, 5/8" X 1-1/2" GR5
82	10-19991	BOLT, 5/8" X 2" GR5
83	10-19591	BOLT, 5/8" X 6-1/2" GR5
84	10-19594	FLANGE NUT, 1/4" PLTD
85	10-19595	WHIZNUT, 5/16" PLTD
86	10-19596	WHIZNUT, 3/8" PLTD
87	10-17402	NYLON LOCKNUT, 3/8" PLTD
88	10-19598	NYLON LOCKNUT, 7/16" PLTD
89	10-19600	LOCKNUT, 5/8" PLTD
90	10-19604	LOCKWASHER, 3/8"
91	10-17181	5/8" CLEVIS PIN
92	10-17383	HAIR CLIP
93	10-19147	1/4" CABLE CLAMP
94	10-19224	1/4" X 1" WOODRUFF KEY
95	10-19225	3/8" X 3/8" SET SCREW
96	10-19606	1/4" SQUARE X 1.5" KEY
97	10-19886	YELLOW TOUCH UP PAINT

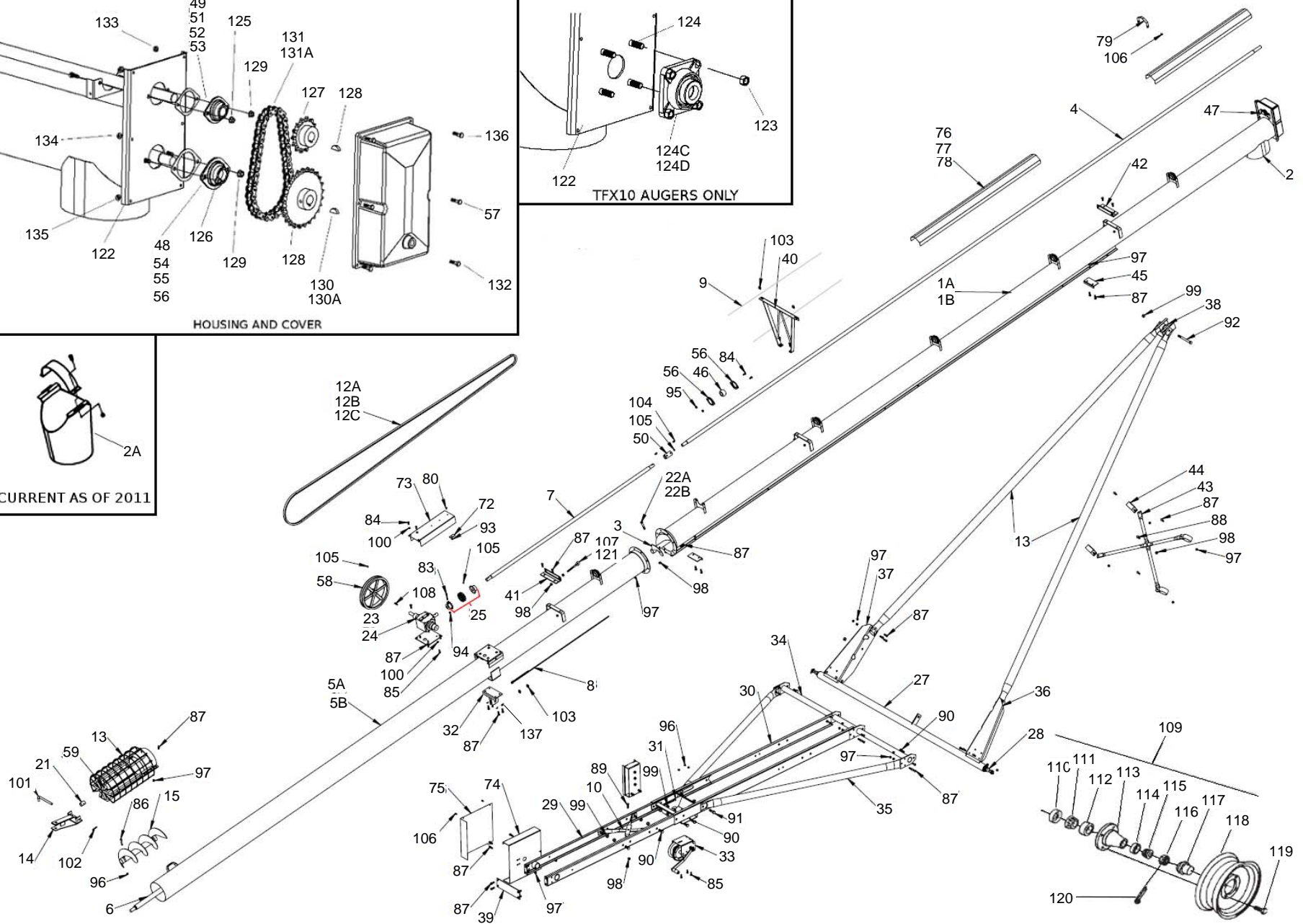
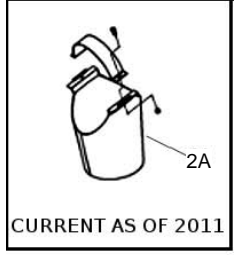
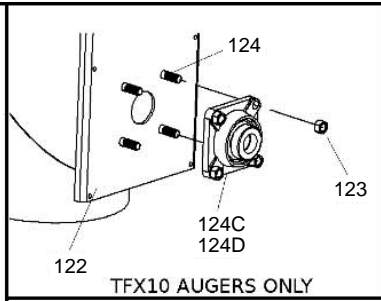
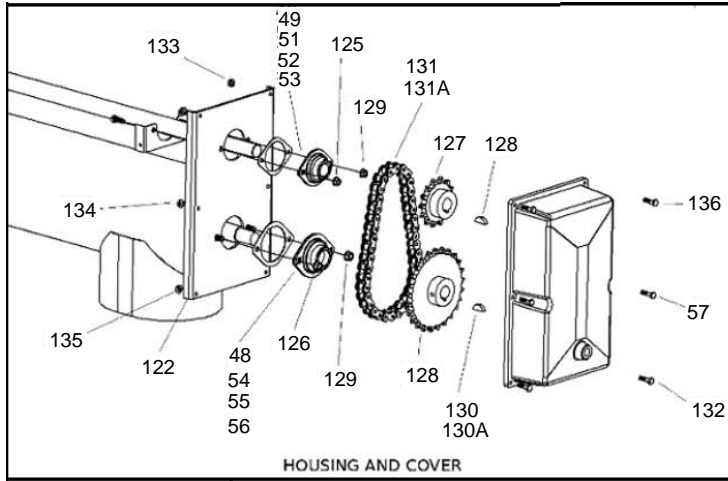
TFX AUGER 1036

ITEM	PART NO.	DESCRIPTION
97A	10-28721	RED TOUCH UP PAINT
98	10-19467	HUB ASSEMBLY, COMPLETE
99	10-19264	SEAL
100	10-19265	LARGE BEARING, TIMKEN #LM67048
101	10-19266	LARGE CUP, TIMKEN #LM67010
102	10-19267	HUB W/ CAPS
103	10-19268	SMALL CUP, TIMKEN #LM11910
104	10-19269	SMALL BEARING, TIMKEN #LM11949
105	10-19270	SLOTTED NUT, 3/4" - 16
106	10-19272	DUST CAP
107	10-19261	15" WHEEL, 4 BOLT
108	10-19273	WHEEL BOLT 1/2" - 20
109	10-19271	COTTER PIN, 1/8" X 1-1/2"
110	10-17226	Upper drive housing
111C	10-17167	Gasket for 1" flangette bearing
111B	10-18694	1" Bearing flange, single
111A	10-18817	1" Bearing, less flange
111	10-19321	1" Flangette bearing, 2 bolt
112D	10-18852	1-1/4" Pillow block bearing only
112C	10-19567	1-1/4" Pillow block bearing
113	10-19595	Whiznut, 5/16"
114	10-19596	Whiznut, 3/8"
115	10-19430	Upper sprocket
116	10-29356	Lower sprocket, 60825
117	10-19225	Setscrew, 3/8" - 16 x 3/8"
118	10-19224	Woodruff key, 1/4" x 1"
118A	10-19606	1/4" x 1-1/2" SQ key
119	10-18696	Roller chain w/connector
119A	10-19433	Roller chain connector only
120	10-17160	Oil bath housing cover
121	10-17179	3/8" Oil bath plug
122	10-17749	Bolt, 5/16" - 18 x 3/4"
123	10-18184	Bolt, 3/8" - 16 x 3/4"
124	10-19988	Bolt, 1/4" x 1" GR2
125	10-19594	Whiznut, 1/4"
126	10-17746	Bolt, 1/2" x 1-1/2"
127	10-19599	Locknut, 1/2"
128	10-18695	1-1/4" Bearing flange, single
129	10-17182	7/16" Track Washer



TFX AUGER 841

ITEM	PART NO.	DESCRIPTION
1B	10-27824	UPPER TUBE ONLY
1A	10-27839	UPPER TUBE AS SHIPPED
2	10-17156	WELD ON SPOUT
2A	10-29306	strap-on outlet
3	10-19402	UPPER FLIGHT
4	10-18702	UPPER DRIVESHAFT
5B	10-27823	LOWER TUBE ONLY
5A	10-27852	LOWER TUBE AS SHIPPED
6	10-19408	LOWER FLIGHT
7	10-27900	LOWER DRIVESHAFT
8	10-18824	WINCH CABLE
11	10-28995	UPPER LIFT ARM
12A	10-19479	B240 BELT
13	10-19398	INTAKE HITCH ASSEMBLY W/ BUSHING AND GREASE FITTING
14	10-17123	CLEVIS
15	10-17534	SLIP ON INTAKE FLIGHT
16A	10-19432	60B37 ROLLER CHAIN W/ CONNECTOR
17	10-19433	60B CHAIN CONNECTOR
18	10-19430	SPROCKET, 60B14 X 1" BORE
19A	10-19431	SPROCKET, 60B25 X 1" BORE
20	10-17158	CHAIN HEAD COVER
21	10-19149	REPLACEMENT BUSHING
22A	10-19545	BOLT, 7/16" X 2-1/4" GR8
23	10-28358	TFX GEARBOX AS SHIPPED
24	10-19473	TFX GEARBOX ONLY
25	10-17592	FLEX COUPLER
26	10-19633	GEARBOX MOUNT PLATE
27	10-28936	MAIN AXLE
28	10-19263	REPLACEMENT SPINDLE
29	10-28933	UPPER CHANNEL
30	10-28939	LOWER CHANNEL
31	10-28934	WINCH MOUNT
32	10-27862	CABLE RETURN
33	10-19152	K1550 WINCH
34	10-27841	LONG CROSSMEMEBER
35	10-28943	LOWER FRAME TUBE
36	10-28944	BASE PLATE, RIGHT
37	10-28945	BASE PLATE, LEFT
38	10-18763	TRACK SHOE
39	10-28940	UPPER CHANNEL BRACE
41	10-27960	CABLE ANCHOR - BOTTOM
42	10-27863	CABLE ANCHOR - TOP
43	10-27263	UPPER FRAME CROSS BRACE
44	10-19797	3" FRAME CLAMP
45	10-18762	TRACK STOP
46	10-18691	1-1/4" WOOD BEARING
47	10-19257	SPROCKET BOX TAB
48	10-17168	GASKET FOR 1-14" FLANGETTE BEARING
49	10-17167	GASKET FOR 1" FLANGETTE BEARING
50	10-19119	1" DRIVESHAFT COUPLER

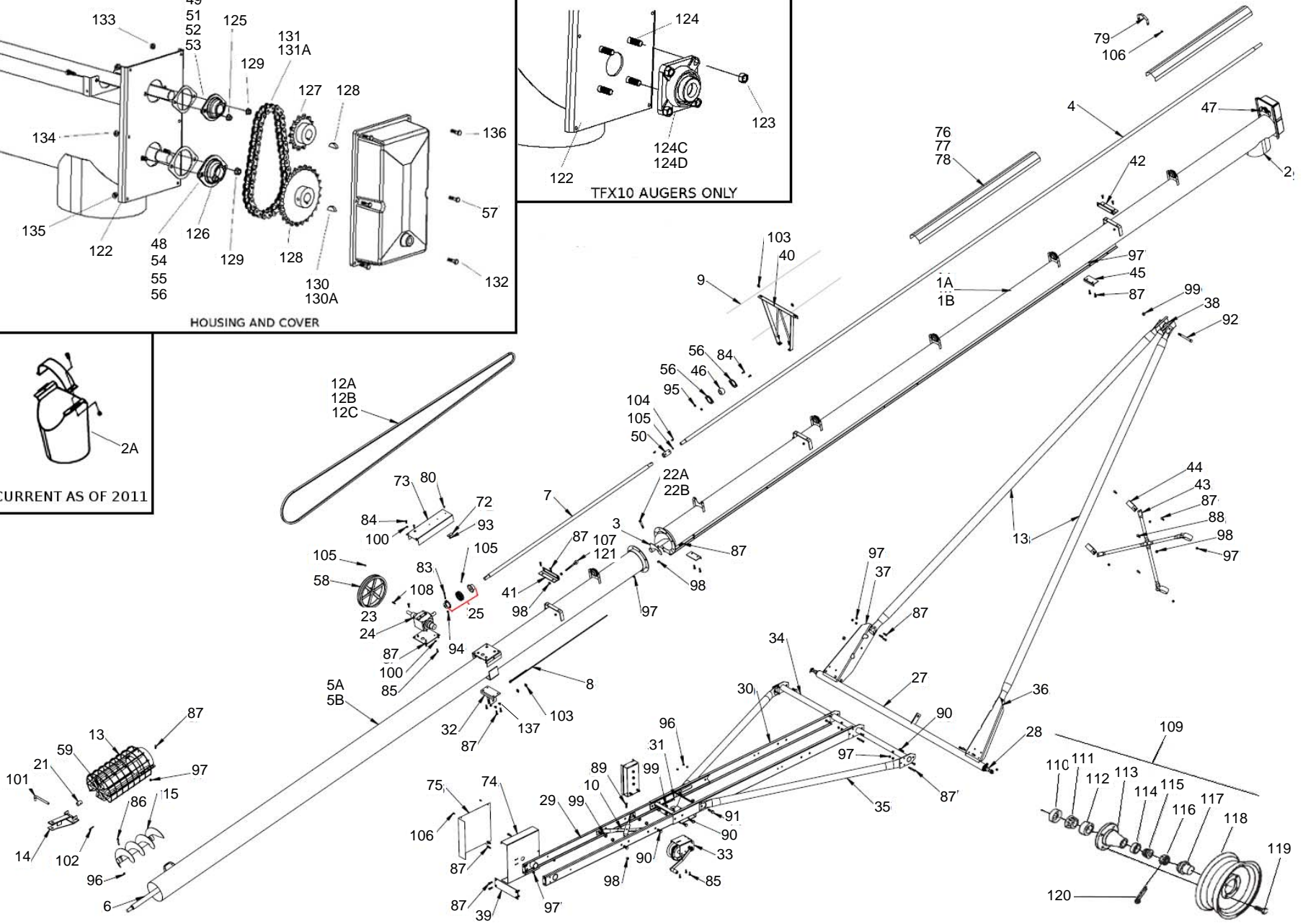
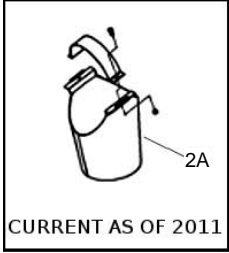
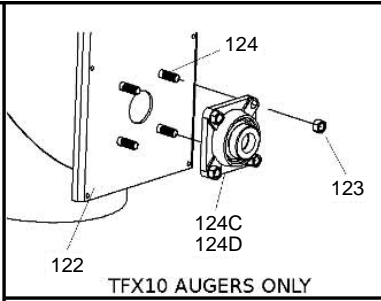
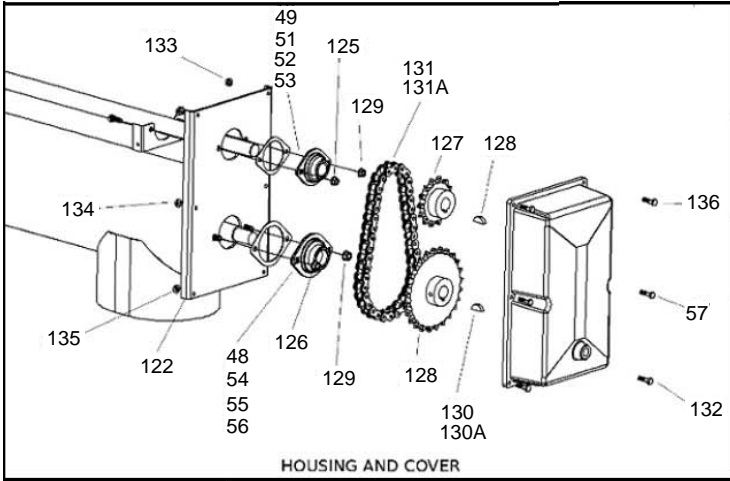


TFX AUGER 841

ITEM	PART NO.	DESCRIPTION
51	10-19321	1" BEARING, 2-BOLT (W/ FLANGES)
52	10-18817	1" BEARING ONLY
53	10-18694	1" BEARING FLANGE
54	10-19322	1-1/4" BEARING, 2-BOLT (W/ FLANGES)
55	10-18853	1-1/4" BEARING ONLY
56	10-18695	1-1/4" BEARING FLANGE
57	10-17179	3/8" OIL BATH PLUG
58	10-18533	15" DOUBLE GROOVE PULLEY - B SIZE
59	10-19222	PRESS IN GREASE FITTING
60	10-19467	COMPLETE HUB ASSEMBLY
61	10-19264	SEAL
62	10-19265	LARGE BEARING, TIMKEN #LM67048
63	10-19266	LARGE CUP, TIMKEN #LM67010
64	10-19267	HUB WITH CUPS
65	10-19268	SMALL CUP, TIMKEN #LM11910
66	10-19269	SMALL BEARING, TIMKEN #LM11949
67	10-19270	CASTLE NUT, 3/4"-16
68	10-19271	COTTER PIN, 1/8" X 1-1/2"
69	10-19272	DUST CAP
70	10-19261	15 X 4.5 X 4 BOLT WHEEL
71	10-19273	WHEEL BOLT, 1/2" - 20
72	10-19627	SDG ATTACH PLATE
73	10-19626	FLEX COUPLER GUARD
74	10-28913	UPPER SHIELD BACKING PLATE
75	10-28914	UPPER SHIELD FACE
76	10-18829	60" DRIVESHAFT SHIELD
77	10-19255	48" DRIVESHAFT SHIELD
78	10-19254	42" DRIVESHAFT SHIELD
79	10-19256	DRIVESHAFT GUARD STRAP
80	10-19537	BOLT, 1/4" X 1/2" GR5
81	10-19988	BOLT, 1/4" X 1" GR2
82	10-19538	BOLT, 5/16" X 3/4" GR2
83	10-17631	BOLT, 5/16" X 2-1/2" GR2
84	10-19540	BOLT, 3/8" X 3/4" GR2
85	10-18955	BOLT, 3/8" X 1" GR5
86	10-18699	BOLT, 3/8" X 2-1/2" GR5
87	10-18698	BOLT, 7/16" X 1-1/4" GR8
88	10-19588	BOLT, 1/2" X 1-1/4" GR5
89	10-19589	BOLT, 1/2" X 1-1/2" GR5
90	10-19590	BOLT, 5/8" X 1-1/2" GR5
91	10-19991	BOLT, 5/8" X 2" GR5
92	10-19591	BOLT, 5/8" X 6-1/2" GR5
93	10-19594	FLANGE NUT, 1/4" PLTD
94	10-19595	WHIZNUT, 5/16" PLTD
95	10-19596	WHIZNUT, 3/8" PLTD
96	10-17402	NYLON LOCKNUT, 3/8" PLTD
97	10-19598	NYLON LOCKNUT, 7/16" PLTD
98	10-19599	LOCKNUT, 1/2" PLTD
99	10-19600	LOCKNUT, 5/8" PLTD
100	10-19604	LOCKWASHER, 3/8

TFX AUGER 841

ITEM	PART NO.	DESCRIPTION
101	10-17181	5/8" CLEVIS PIN
102	10-17383	HAIR CLIP
103	10-19147	1/4" CABLE CLAMP
104	10-19224	1/4" X 1" WOODRUFF KEY
105	10-19225	3/8" X 3/8" SET SCREW
106	10-19274	1/4" SHEET METAL SCREW
107	10-19331	1/2" EYEBOLT
108	10-19606	1/4" SQUARE X 1.5" KEY
108A	10-19886	YELLOW TOUCH UP PAINT
108B	10-28721	RED TOUCH UP PAINT
109	10-19467	HUB ASSEMBLY, COMPLETE
110	10-19264	SEAL
111	10-19265	LARGE BEARING, TIMKEN #LM67048
112	10-19266	LARGE CUP, TIMKEN #LM67010
113	10-19267	HUB W/ CAPS
114	10-19268	SMALL CUP, TIMKEN #LM11910
115	10-19269	SMALL BEARING, TIMKEN #LM11949
115	10-19270	SLOTTED NUT, 3/4" - 16
117	10-19272	DUST CAP
118	10-19261	15" WHEEL, 4 BOLT
119	10-19273	WHEEL BOLT 1/2" - 20
120	10-19271	COTTER PIN, 1/8" X 1-1/2"
122	10-17172	Upper drive housing
123	10-19599	Locknut, 1/2"
125	10-19595	Whiznut, 5/16"
126	10-19596	Whiznut, 3/8"
127	10-19430	Upper sprocket
128	10-19431	Lower sprocket, 60825
129	10-19225	Setscrew, 3/8" - 16 x 3/8"
130	10-19224	Woodruff key, 1/4" x 1"
131	10-19432	Roller chain w/connector
131A	10-19433	Roller chain connector only
132	10-17158	Oil bath housing cover
133	10-19594	Whiznut, 1/4"
134	10-17749	Bolt, 5/16" - 18 x 3/4"
135	10-18184	Bolt, 3/8" - 16 x 3/4"
136	10-19988	Bolt, 1/4" x 1" GR2
137	10-17182	7/16" Track Washer



TFX AUGER 846

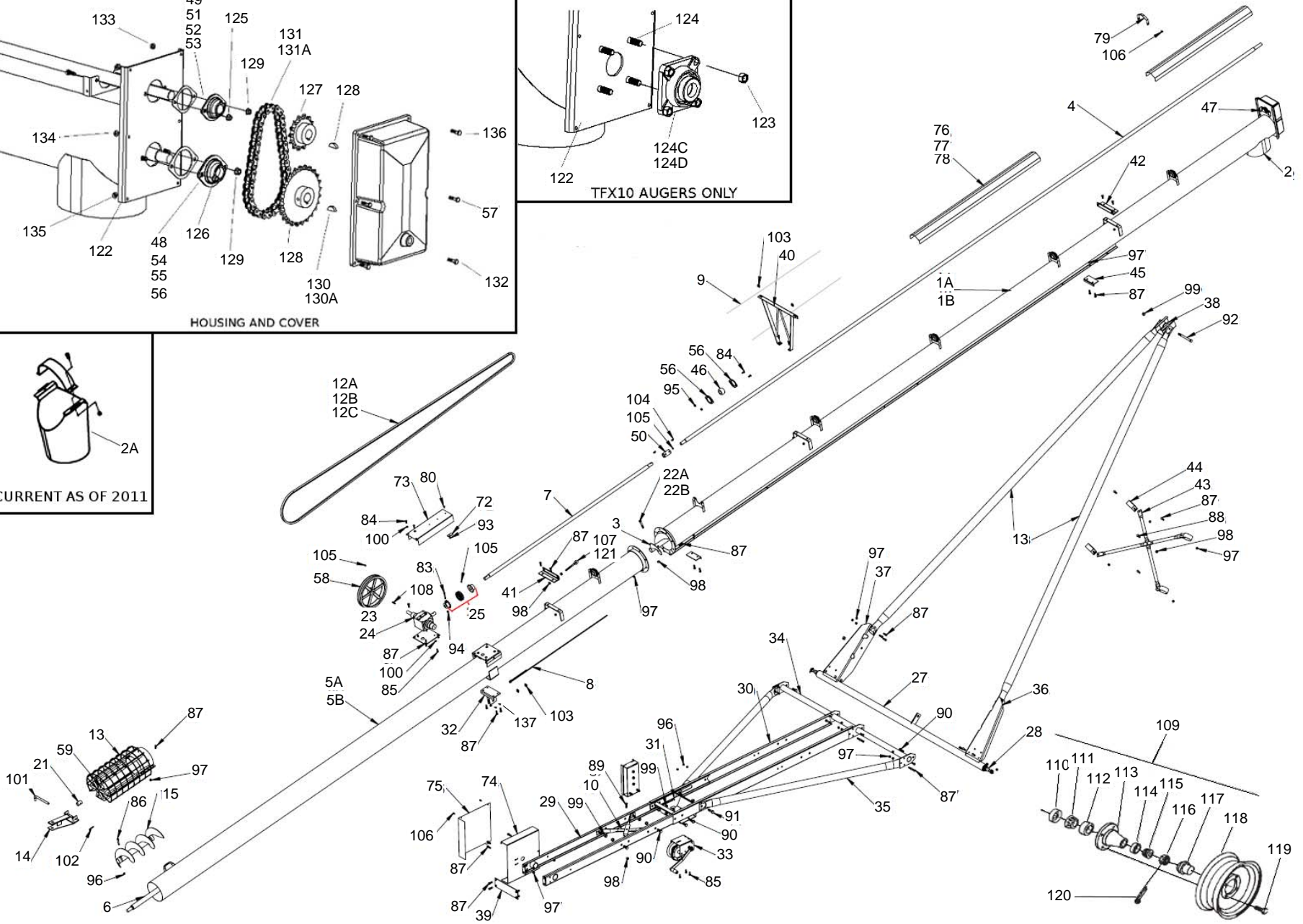
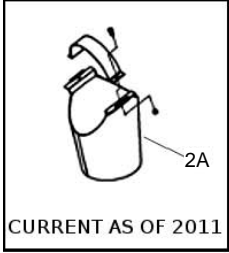
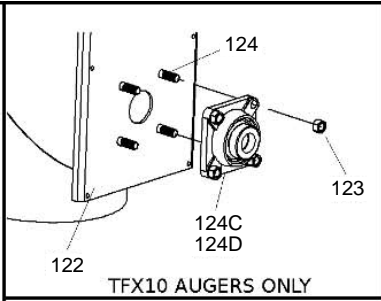
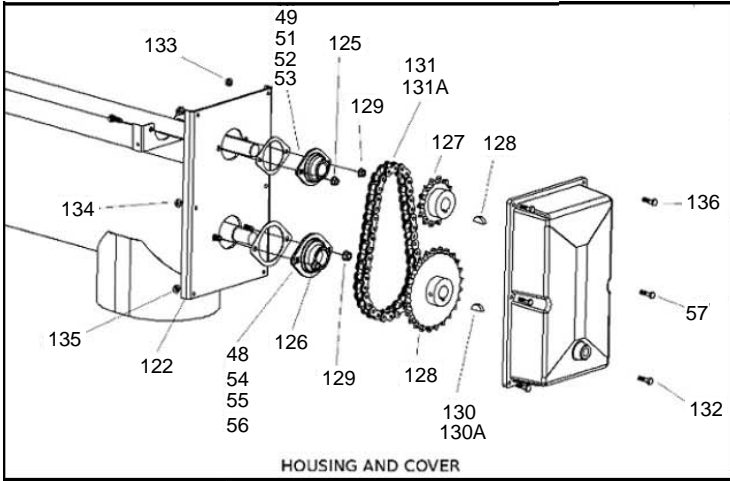
ITEM	PART NO.	DESCRIPTION
1B	10-27824	UPPER TUBE ONLY
1A	10-27839	UPPER TUBE AS SHIPPED
2	10-17156	WELD ON SPOUT
2A	10-29306	strap-on outlet
3	10-19402	UPPER FLIGHT
4	10-18702	UPPER DRIVESHAFT
5B	10-27825	LOWER TUBE ONLY
5A	10-27853	LOWER TUBE AS SHIPPED
6	10-19409	LOWER FLIGHT
7	10-27901	LOWER DRIVESHAFT
8	10-27963	WINCH CABLE
9	10-27965	TRUSS CABLE
10	10-28950	FRAME CROSS BRACE
11	10-27877	UPPER LIFT ARM
12B	10-19480	B270 BELT
13	10-19398	INTAKE HITCH ASSEMBLY W/ BUSHING AND GREASE FITTING
14	10-17123	CLEVIS
15	10-17534	SLIP ON INTAKE FLIGHT
16A	10-19432	60B37 ROLLER CHAIN W/ CONNECTOR
17	10-19433	60B CHAIN CONNECTOR
18	10-19430	SPROCKET, 60B14 X 1" BORE
19A	10-19431	SPROCKET, 60B25 X 1" BORE
20	10-17158	CHAIN HEAD COVER
21	10-19149	REPLACEMENT BUSHING
22A	10-19545	BOLT, 7/16" X 2-1/4" GR8
23	10-28358	TFX GEARBOX AS SHIPPED
24	10-19473	TFX GEARBOX ONLY
25	10-17592	FLEX COUPLER
26	10-19633	GEARBOX MOUNT PLATE
27	10-28936	MAIN AXLE
28	10-19263	REPLACEMENT SPINDLE
29	10-28933	UPPER CHANNEL
30	10-28939	LOWER CHANNEL
31	10-28934	WINCH MOUNT
32	10-27862	CABLE RETURN
33	10-19152	K1550 WINCH
34	10-27841	LONG CROSSMEMEBER
35	10-28943	LOWER FRAME TUBE
36	10-28944	BASE PLATE, RIGHT
37	10-28945	BASE PLATE, LEFT
38	10-18763	TRACK SHOE
39	10-28940	UPPER CHANNEL BRACE
40	10-19324	TRUSS BRACKET
41	10-27960	CABLE ANCHOR - BOTTOM
42	10-27863	CABLE ANCHOR - TOP
43	10-27263	UPPER FRAME CROSS BRACE
44	10-19797	3" FRAME CLAMP
45	10-18762	TRACK STOP
46	10-18691	1-1/4" WOOD BEARING
47	10-19257	SPROCKET BOX TAB

TFX AUGER 846

ITEM	PART NO.	DESCRIPTION
48	10-17168	GASKET FOR 1-14" FLANGETTE BEARING
49	10-17167	GASKET FOR 1" FLANGETTE BEARING
50	10-19119	1" DRIVESHAFT COUPLER
51	10-19321	1" BEARING, 2-BOLT (W/ FLANGES)
52	10-18817	1" BEARING ONLY
53	10-18694	1" BEARING FLANGE
54	10-19322	1-1/4" BEARING, 2-BOLT (W/ FLANGES)
55	10-18853	1-1/4" BEARING ONLY
56	10-18695	1-1/4" BEARING FLANGE
57	10-17179	3/8" OIL BATH PLUG
58	10-18533	15" DOUBLE GROOVE PULLEY - B SIZE
59	10-19222	PRESS IN GREASE FITTING
60	10-19467	COMPLETE HUB ASSEMBLY
61	10-19264	SEAL
62	10-19265	LARGE BEARING, TIMKEN #LM67048
63	10-19266	LARGE CUP, TIMKEN #LM67010
64	10-19267	HUB WITH CUPS
65	10-19268	SMALL CUP, TIMKEN #LM11910
66	10-19269	SMALL BEARING, TIMKEN #LM11949
67	10-19270	CASTLE NUT, 3/4"-16
68	10-19271	COTTER PIN, 1/8" X 1-1/2"
69	10-19272	DUST CAP
70	10-19261	15 X 4.5 X 4 BOLT WHEEL
71	10-19273	WHEEL BOLT, 1/2" - 20
72	10-19627	SDG ATTACH PLATE
73	10-19626	FLEX COUPLER GUARD
74	10-28913	UPPER SHIELD BACKING PLATE
75	10-28914	UPPER SHIELD FACE
76	10-18829	60" DRIVESHAFT SHIELD
77	10-19255	48" DRIVESHAFT SHIELD
78	10-19254	42" DRIVESHAFT SHIELD
79	10-19256	DRIVESHAFT GUARD STRAP
80	10-19537	BOLT, 1/4" X 1/2" GR5
81	10-19988	BOLT, 1/4" X 1" GR2
82	10-19538	BOLT, 5/16" X 3/4" GR2
83	10-17631	BOLT, 5/16" X 2-1/2" GR2
84	10-19540	BOLT, 3/8" X 3/4" GR2
85	10-18955	BOLT, 3/8" X 1" GR5
86	10-18699	BOLT, 3/8" X 2-1/2" GR5
87	10-18698	BOLT, 7/16" X 1-1/4" GR8
88	10-19588	BOLT, 1/2" X 1-1/4" GR5
89	10-19589	BOLT, 1/2" X 1-1/2" GR5
90	10-19590	BOLT, 5/8" X 1-1/2" GR5
91	10-19991	BOLT, 5/8" X 2" GR5
92	10-19591	BOLT, 5/8" X 6-1/2" GR5
93	10-19594	FLANGE NUT, 1/4" PLTD
94	10-19595	WHIZNUT, 5/16" PLTD
95	10-19596	WHIZNUT, 3/8" PLTD
96	10-17402	NYLON LOCKNUT, 3/8" PLTD
97	10-19598	NYLON LOCKNUT, 7/16" PLTD

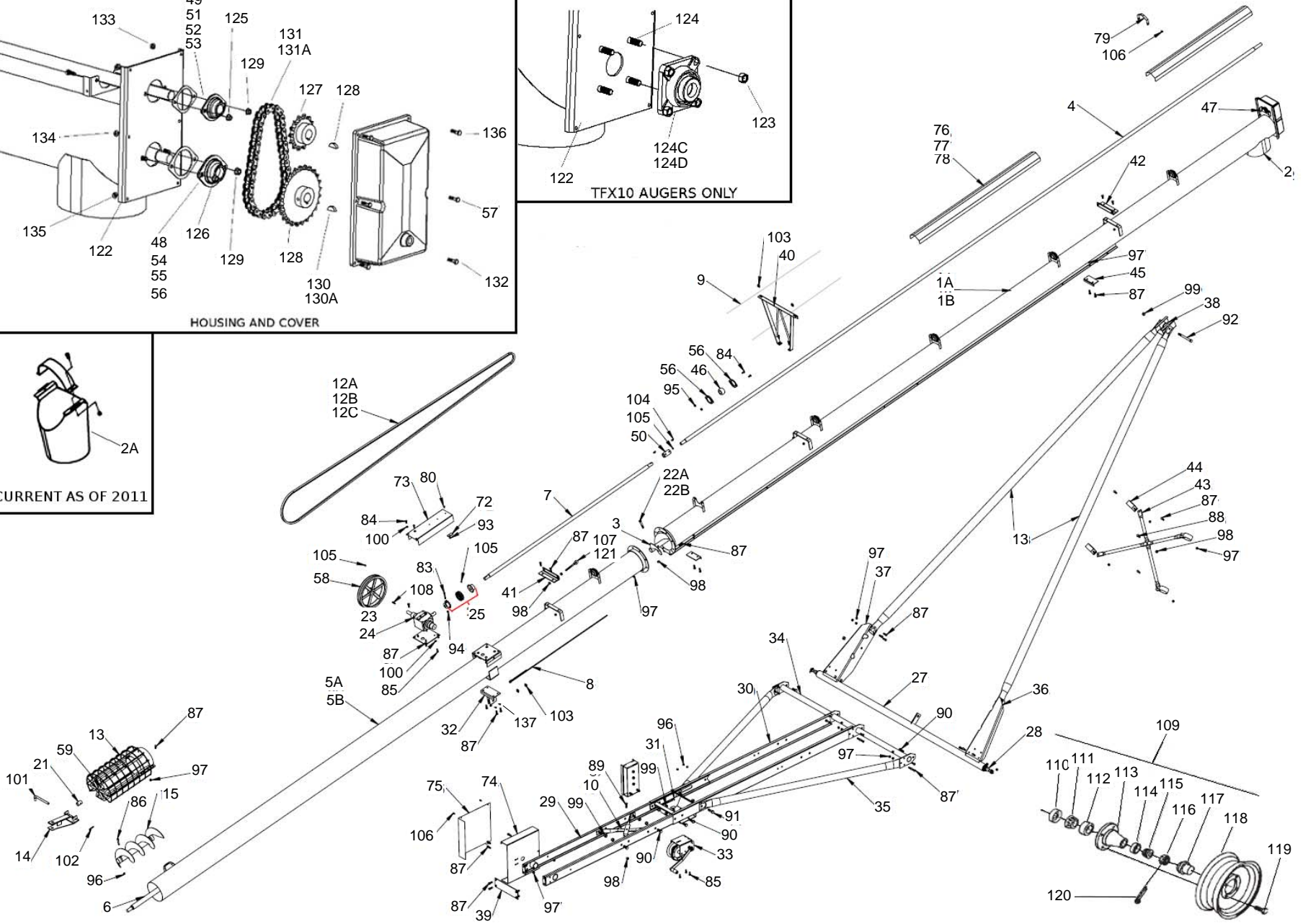
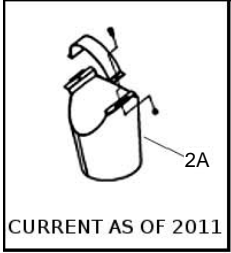
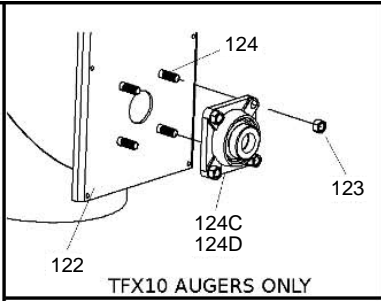
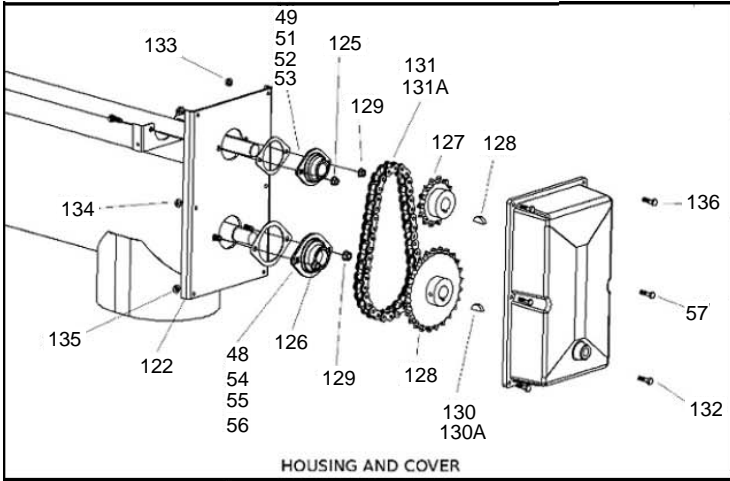
TFX AUGER 846

ITEM	PART NO.	DESCRIPTION
98	10-19599	LOCKNUT, 1/2" PLTD
99	10-19600	LOCKNUT, 5/8" PLTD
100	10-19604	LOCKWASHER, 3/8
101	10-17181	5/8" CLEVIS PIN
102	10-17383	HAIR CLIP
103	10-19147	1/4" CABLE CLAMP
104	10-19224	1/4" X 1" WOODRUFF KEY
105	10-19225	3/8" X 3/8" SET SCREW
106	10-19274	1/4" SHEET METAL SCREW
107	10-19331	1/2" EYEBOLT
108	10-19606	1/4" SQUARE X 1.5" KEY
108A	10-19886	YELLOW TOUCH UP PAINT
108B	10-28721	RED TOUCH UP PAINT
109	10-19467	HUB ASSEMBLY, COMPLETE
110	10-19264	SEAL
111	10-19265	LARGE BEARING, TIMKEN #LM67048
112	10-19266	LARGE CUP, TIMKEN #LM67010
113	10-19267	HUB W/ CAPS
114	10-19268	SMALL CUP, TIMKEN #LM11910
115	10-19269	SMALL BEARING, TIMKEN #LM11949
115	10-19270	SLOTTED NUT, 3/4" - 16
117	10-19272	DUST CAP
118	10-19261	15" WHEEL, 4 BOLT
119	10-19273	WHEEL BOLT 1/2" - 20
120	10-19271	COTTER PIN, 1/8" X 1-1/2"
121	10-19333	5/16" CABLE CLAMP
122	10-17172	Upper drive housing
123	10-19599	Locknut, 1/2"
125	10-19595	Whiznut, 5/16"
126	10-19596	Whiznut, 3/8"
127	10-19430	Upper sprocket
128	10-19431	Lower sprocket, 60825
129	10-19225	Setscrew, 3/8" - 16 x 3/8"
130	10-19224	Woodruff key, 1/4" x 1"
131	10-19432	Roller chain w/connector
131A	10-19433	Roller chain connector only
132	10-17158	Oil bath housing cover
133	10-19594	Whiznut, 1/4"
134	10-17749	Bolt, 5/16" - 18 x 3/4"
135	10-18184	Bolt, 3/8" - 16 x 3/4"
136	10-19988	Bolt, 1/4" x 1" GR2
137	10-17182	7/16" Track Washer



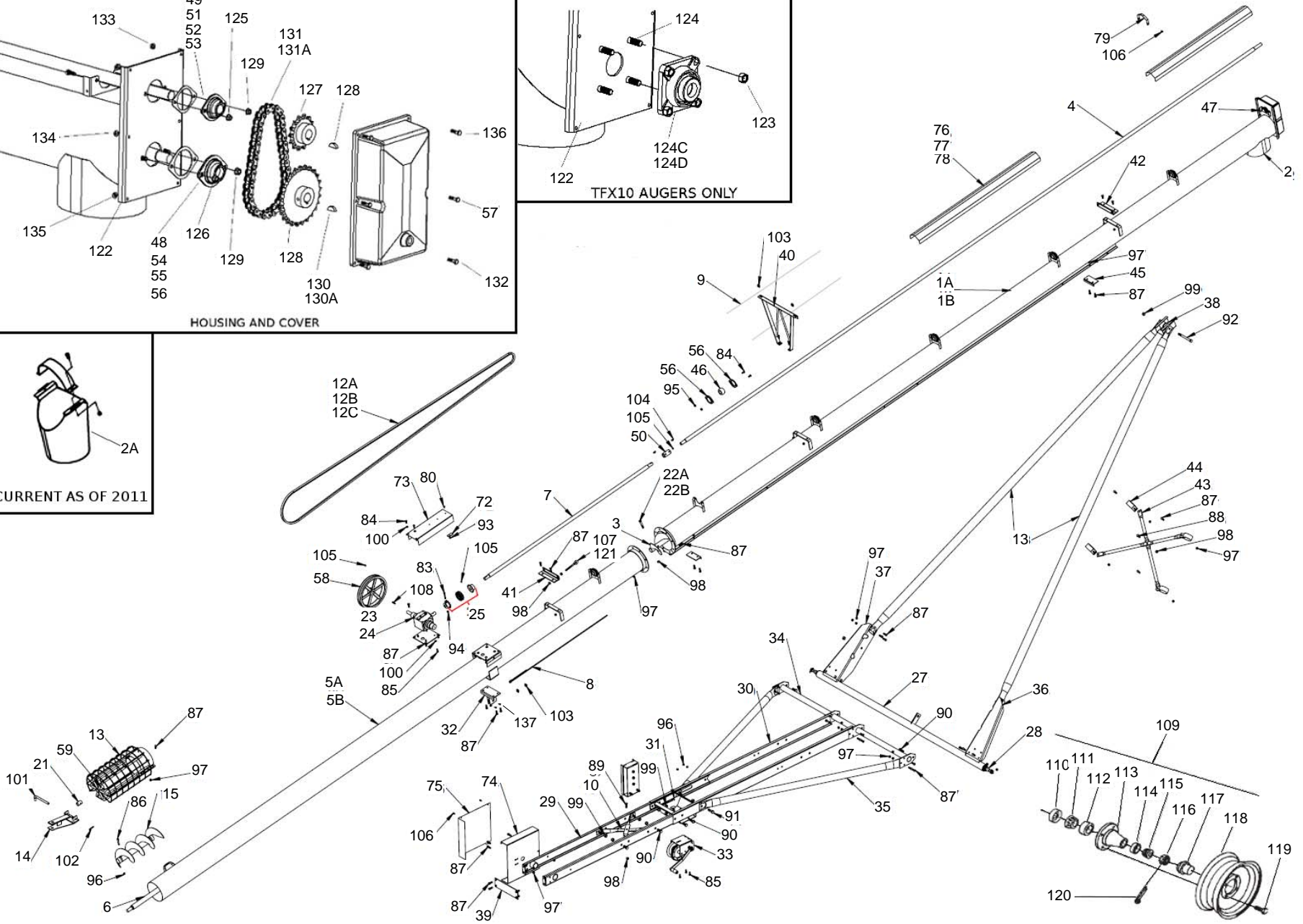
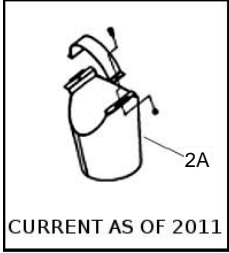
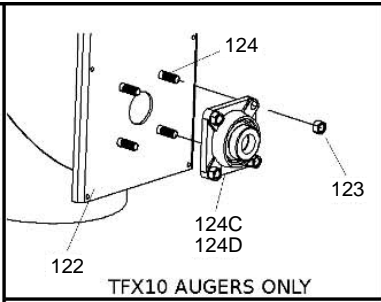
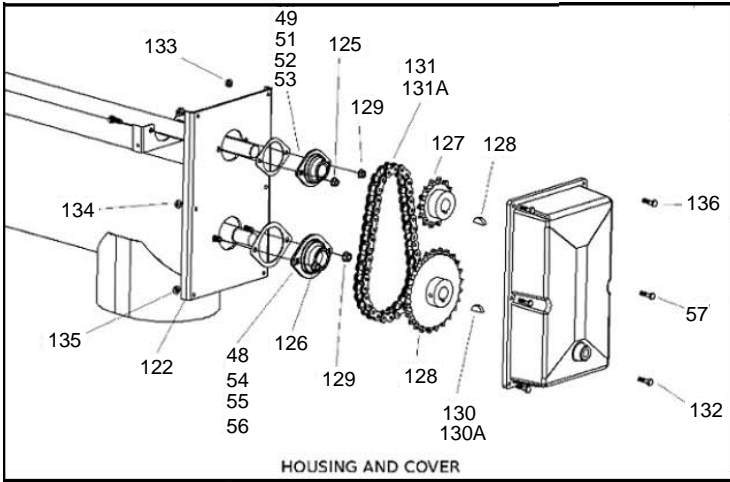
TFX AUGER 851

ITEM	PART NO.	DESCRIPTION
1B	10-27824	UPPER TUBE ONLY
1A	10-27839	UPPER TUBE AS SHIPPED
2	10-17156	WELD ON SPOUT
2A	10-29306	strap-on outlet
3	10-19402	UPPER FLIGHT
4	10-18702	UPPER DRIVESHAFT
5A	10-28956	LOWER TUBE AS SHIPPED
5B	10-28958	LOWER TUBE ONLY
6	10-19410	LOWER FLIGHT
7	10-28954	LOWER DRIVESHAFT
8	10-27964	WINCH CABLE
9	10-18042	TRUSS CABLE
10	10-28951	FRAME CROSS BRACE
11	10-27876	UPPER LIFT ARM
12C	10-18689	B300 BELT
13	10-19398	INTAKE HITCH ASSEMBLY W/ BUSHING AND GREASE FITTING
14	10-17123	CLEVIS
15	10-17534	SLIP ON INTAKE FLIGHT
16A	10-19432	60B37 ROLLER CHAIN W/ CONNECTOR
17	10-19433	60B CHAIN CONNECTOR
18	10-19430	SPROCKET, 60B14 X 1" BORE
19A	10-19431	SPROCKET, 60B25 X 1" BORE
20	10-17158	CHAIN HEAD COVER
21	10-19149	REPLACEMENT BUSHING
22A	10-19545	BOLT, 7/16" X 2-1/4" GR8
23	10-28358	TFX GEARBOX AS SHIPPED
24	10-19473	TFX GEARBOX ONLY
25	10-17592	FLEX COUPLER
26	10-19633	GEARBOX MOUNT PLATE
27	10-28936	MAIN AXLE
28	10-19263	REPLACEMENT SPINDLE
29	10-28933	UPPER CHANNEL
30	10-28939	LOWER CHANNEL
31	10-28934	WINCH MOUNT
32	10-27862	CABLE RETURN
33	10-19152	K1550 WINCH
34	10-27841	LONG CROSSMEMEBER
35	10-28943	LOWER FRAME TUBE
36	10-28944	BASE PLATE, RIGHT
37	10-28945	BASE PLATE, LEFT
38	10-18763	TRACK SHOE
39	10-28940	UPPER CHANNEL BRACE
40	10-19324	TRUSS BRACKET
41	10-27960	CABLE ANCHOR - BOTTOM
42	10-27863	CABLE ANCHOR - TOP
43	10-27263	UPPER FRAME CROSS BRACE
44	10-19797	3" FRAME CLAMP
45	10-18762	TRACK STOP
46	10-18691	1-1/4" WOOD BEARING
47	10-19257	SPROCKET BOX TAB



TFX AUGER 851

ITEM	PART NO.	DESCRIPTION
48	10-17168	GASKET FOR 1-14" FLANGETTE BEARING
49	10-17167	GASKET FOR 1" FLANGETTE BEARING
50	10-19119	1" DRIVESHAFT COUPLER
51	10-19321	1" BEARING, 2-BOLT (W/ FLANGES)
52	10-18817	1" BEARING ONLY
53	10-18694	1" BEARING FLANGE
54	10-19322	1-1/4" BEARING, 2-BOLT (W/ FLANGES)
55	10-18853	1-1/4" BEARING ONLY
56	10-18695	1-1/4" BEARING FLANGE
57	10-17179	3/8" OIL BATH PLUG
58	10-18533	15" DOUBLE GROOVE PULLEY - B SIZE
59	10-19222	PRESS IN GREASE FITTING
60	10-19467	COMPLETE HUB ASSEMBLY
61	10-19264	SEAL
62	10-19265	LARGE BEARING, TIMKEN #LM67048
63	10-19266	LARGE CUP, TIMKEN #LM67010
64	10-19267	HUB WITH CUPS
65	10-19268	SMALL CUP, TIMKEN #LM11910
66	10-19269	SMALL BEARING, TIMKEN #LM11949
67	10-19270	CASTLE NUT, 3/4"-16
68	10-19271	COTTER PIN, 1/8" X 1-1/2"
69	10-19272	DUST CAP
70	10-19261	15 X 4.5 X 4 BOLT WHEEL
71	10-19273	WHEEL BOLT, 1/2" - 20
72	10-19627	SDG ATTACH PLATE
73	10-19626	FLEX COUPLER GUARD
74	10-28913	UPPER SHIELD BACKING PLATE
75	10-28914	UPPER SHIELD FACE
76	10-18829	60" DRIVESHAFT SHIELD
77	10-19255	48" DRIVESHAFT SHIELD
78	10-19254	42" DRIVESHAFT SHIELD
79	10-19256	DRIVESHAFT GUARD STRAP
80	10-19537	BOLT, 1/4" X 1/2" GR5
81	10-19988	BOLT, 1/4" X 1" GR2
82	10-19538	BOLT, 5/16" X 3/4" GR2
83	10-17631	BOLT, 5/16" X 2-1/2" GR2
84	10-19540	BOLT, 3/8" X 3/4" GR2
85	10-18955	BOLT, 3/8" X 1" GR5
86	10-18699	BOLT, 3/8" X 2-1/2" GR5
87	10-18698	BOLT, 7/16" X 1-1/4" GR8
88	10-19588	BOLT, 1/2" X 1-1/4" GR5
89	10-19589	BOLT, 1/2" X 1-1/2" GR5
90	10-19590	BOLT, 5/8" X 1-1/2" GR5
91	10-19991	BOLT, 5/8" X 2" GR5
92	10-19591	BOLT, 5/8" X 6-1/2" GR5
93	10-19594	FLANGE NUT, 1/4" PLTD
94	10-19595	WHIZNUT, 5/16" PLTD
95	10-19596	WHIZNUT, 3/8" PLTD
96	10-17402	NYLON LOCKNUT, 3/8" PLTD
97	10-19598	NYLON LOCKNUT, 7/16" PLTD

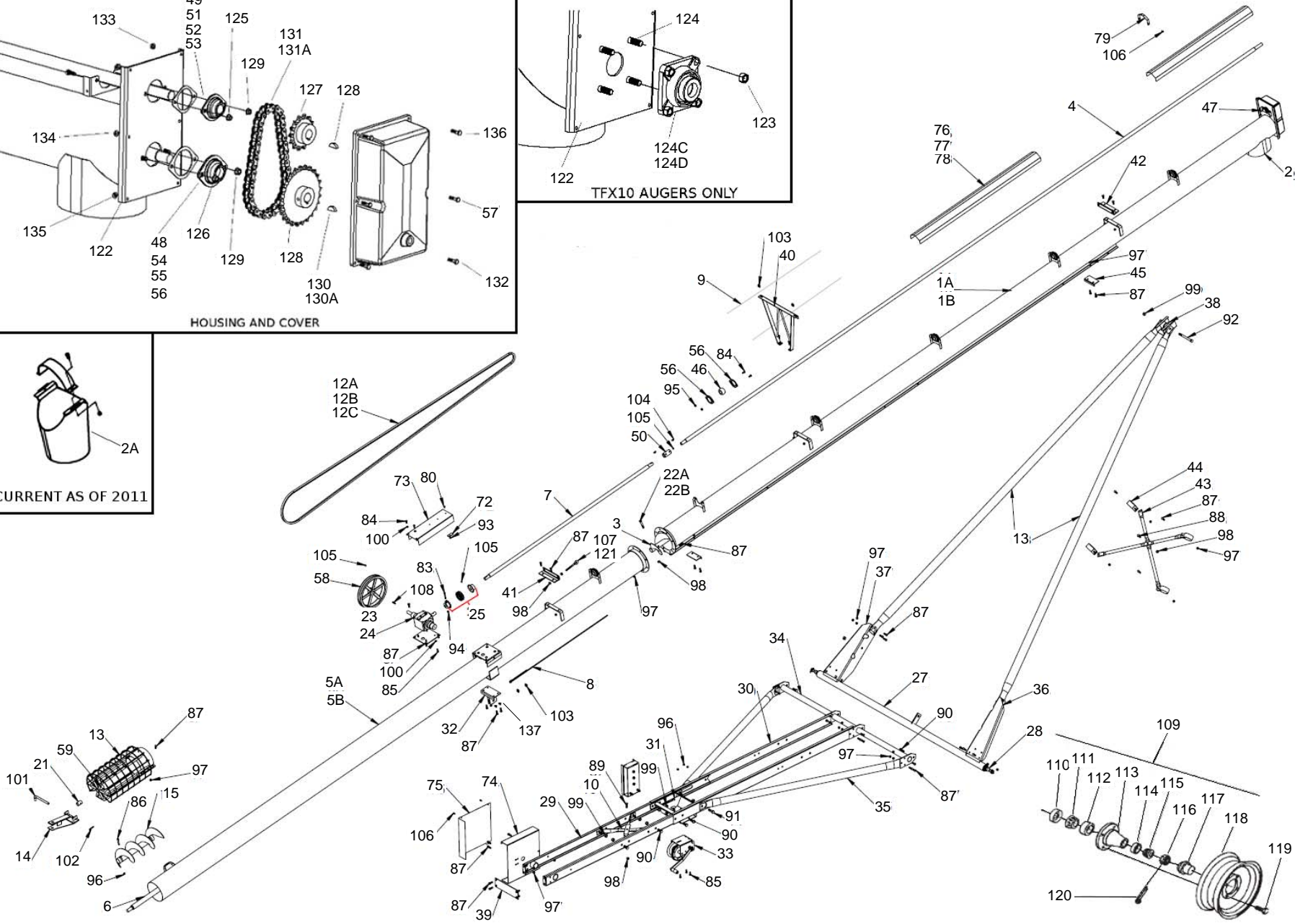
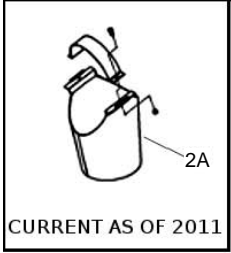
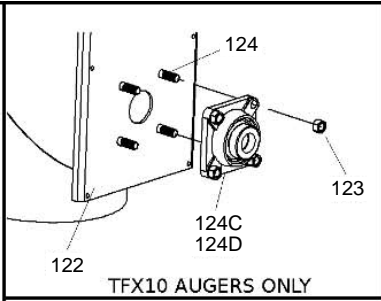
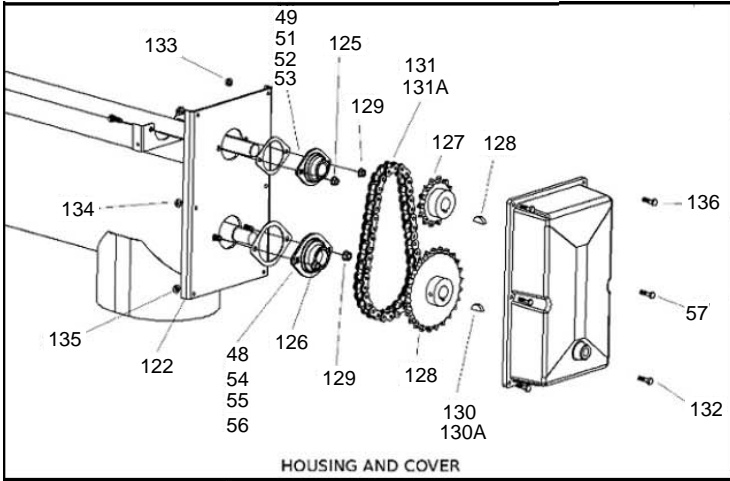


TFX AUGER 851

ITEM	PART NO.	DESCRIPTION
98	10-19599	LOCKNUT, 1/2" PLTD
99	10-19600	LOCKNUT, 5/8" PLTD
100	10-19604	LOCKWASHER, 3/8
101	10-17181	5/8" CLEVIS PIN
102	10-17383	HAIR CLIP
103	10-19147	1/4" CABLE CLAMP
104	10-19224	1/4" X 1" WOODRUFF KEY
105	10-19225	3/8" X 3/8" SET SCREW
106	10-19274	1/4" SHEET METAL SCREW
107	10-19331	1/2" EYEBOLT
108	10-19606	1/4" SQUARE X 1.5" KEY
108A	10-19886	YELLOW TOUCH UP PAINT
108B	10-28721	RED TOUCH UP PAINT
109	10-19467	HUB ASSEMBLY, COMPLETE
110	10-19264	SEAL
111	10-19265	LARGE BEARING, TIMKEN #LM67048
112	10-19266	LARGE CUP, TIMKEN #LM67010
113	10-19267	HUB W/ CAPS
114	10-19268	SMALL CUP, TIMKEN #LM11910
115	10-19269	SMALL BEARING, TIMKEN #LM11949
115	10-19270	SLOTTED NUT, 3/4" - 16
117	10-19272	DUST CAP
118	10-19261	15" WHEEL, 4 BOLT
119	10-19273	WHEEL BOLT 1/2" - 20
120	10-19271	COTTER PIN, 1/8" X 1-1/2"
121	10-19333	5/16" CABLE CLAMP
122	10-17226	Upper drive housing
123	10-19599	Locknut, 1/2"
124	10-17746	Bolt, 1/2" x 1-1/2"
125	10-19595	Whiznut, 5/16"
126	10-19596	Whiznut, 3/8"
127	10-19430	Upper sprocket
128	10-29356	Lower sprocket, 60825
129	10-19225	Setscrew, 3/8" - 16 x 3/8"
130	10-19224	Woodruff key, 1/4" x 1"
130A	10-19606	1/4" x 1-1/2" SQ key
131	10-18696	Roller chain w/connector
131A	10-19433	Roller chain connector only
131B	10-29526	#60 Offset Link
132	10-17160	Oil bath housing cover
133	10-19594	Whiznut, 1/4"
134	10-17749	Bolt, 5/16" - 18 x 3/4"
135	10-18184	Bolt, 3/8" - 16 x 3/4"
136	10-19988	Bolt, 1/4" x 1" GR2
137	10-17182	7/16" Track Washer

TFX AUGER 1041

ITEM	PART NO.	DESCRIPTION
1B	10-27831	UPPER TUBE ONLY
1A	10-27856	UPPER TUBE AS SHIPPED
2	10-17225	WELD ON SPOUT
2A	10-29307	strap-on outlet
3	10-19753	UPPER FLIGHT
4	10-18702	UPPER DRIVESHAFT
5B	10-28993	LOWER TUBE ONLY
5A	10-28994	LOWER TUBE AS SHIPPED
6	10-19755	LOWER FLIGHT
7	10-28992	LOWER DRIVESHAFT
8	10-18824	WINCH CABLE
11	10-28995	UPPER LIFT ARM
12A	10-19479	B240 BELT
13	10-19774	INTAKE HITCH ASSEMBLY W/ BUSHING AND GREASE FITTING
14	10-17180	CLEVIS
15	10-17535	SLIP ON INTAKE FLIGHT
16B	10-18696	60B43 ROLLER CHAIN W/ CONNECTOR
17	10-19433	60B CHAIN CONNECTOR
18	10-19430	SPROCKET, 60B14 X 1" BORE
19B	10-18697	SPROCKET, 60B30 X 1" BORE
20	10-17160	CHAIN HEAD COVER
21	10-19776	REPLACEMENT BUSHING
22B	10-19798	BOLT, 1/2" X 2-3/4" GR8
23	10-28358	TFX GEARBOX AS SHIPPED
24	10-19473	TFX GEARBOX ONLY
25	10-17592	FLEX COUPLER
26	10-19633	GEARBOX MOUNT PLATE
27	10-28936	MAIN AXLE
28	10-19263	REPLACEMENT SPINDLE
29	10-28933	UPPER CHANNEL
30	10-28939	LOWER CHANNEL
31	10-28934	WINCH MOUNT
32	10-27862	CABLE RETURN
33	10-19152	K1550 WINCH
34	10-27841	LONG CROSSMEMEBER
35	10-28943	LOWER FRAME TUBE
36	10-28944	BASE PLATE, RIGHT
37	10-28945	BASE PLATE, LEFT
38	10-18763	TRACK SHOE
39	10-28940	UPPER CHANNEL BRACE
41	10-27960	CABLE ANCHOR - BOTTOM
42	10-27863	CABLE ANCHOR - TOP
43	10-27263	UPPER FRAME CROSS BRACE
44	10-19797	3" FRAME CLAMP
45	10-18762	TRACK STOP
46	10-18691	1-1/4" WOOD BEARING
47	10-19257	SPROCKET BOX TAB
49	10-17167	GASKET FOR 1" FLANGETTE BEARING
50	10-19119	1" DRIVESHAFT COUPLER
51	10-19321	1" BEARING, 2-BOLT (W/ FLANGES)

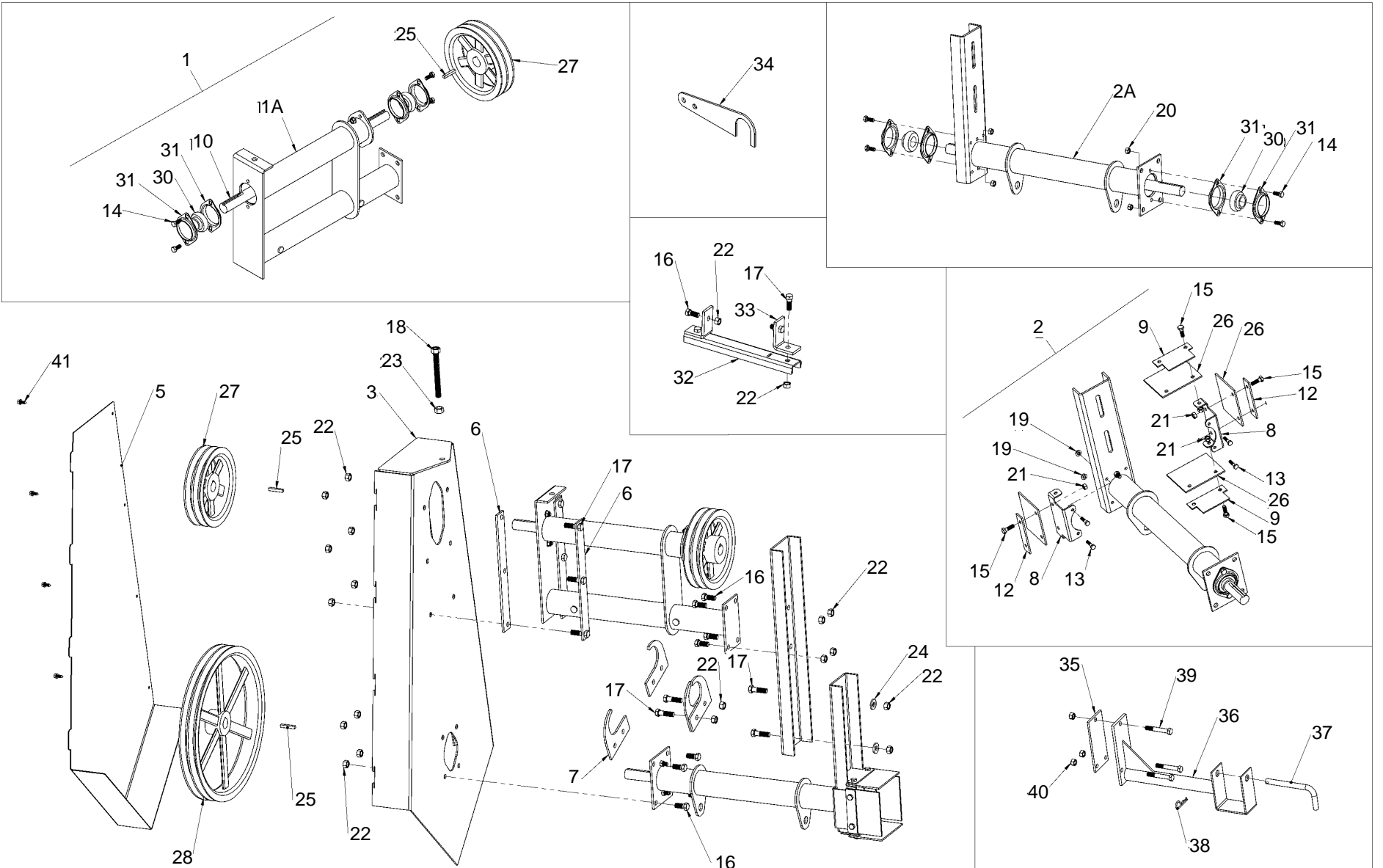


TFX AUGER 1041

ITEM	PART NO.	DESCRIPTION
52	10-18817	1" BEARING ONLY
53	10-18694	1" BEARING FLANGE
54	10-19567	1-1/4" BEARING, 2-BOLT (W/ FLANGES)
55	10-18852	1-1/4" BEARING ONLY
56	10-18695	1-1/4" BEARING FLANGE
57	10-17179	3/8" OIL BATH PLUG
58	10-18533	15" DOUBLE GROOVE PULLEY - B SIZE
59	10-19222	PRESS IN GREASE FITTING
60	10-19467	COMPLETE HUB ASSEMBLY
61	10-19264	SEAL
62	10-19265	LARGE BEARING, TIMKEN #LM67048
63	10-19266	LARGE CUP, TIMKEN #LM67010
64	10-19267	HUB WITH CUPS
65	10-19268	SMALL CUP, TIMKEN #LM11910
66	10-19269	SMALL BEARING, TIMKEN #LM11949
67	10-19270	CASTLE NUT, 3/4"-16
68	10-19271	COTTER PIN, 1/8" X 1-1/2"
69	10-19272	DUST CAP
70	10-19261	15 X 4.5 X 4 BOLT WHEEL
71	10-19273	WHEEL BOLT, 1/2" - 20
72	10-19627	SDG ATTACH PLATE
73	10-19626	FLEX COUPLER GUARD
74	10-28913	UPPER SHIELD BACKING PLATE
75	10-28914	UPPER SHIELD FACE
76	10-18829	60" DRIVESHAFT SHIELD
77	10-19255	48" DRIVESHAFT SHIELD
79	10-19256	DRIVESHAFT GUARD STRAP
80	10-19537	BOLT, 1/4" X 1/2" GR5
81	10-19988	BOLT, 1/4" X 1" GR2
82	10-19538	BOLT, 5/16" X 3/4" GR2
83	10-17631	BOLT, 5/16" X 2-1/2" GR2
84	10-19540	BOLT, 3/8" X 3/4" GR2
85	10-18955	BOLT, 3/8" X 1" GR5
87	10-18698	BOLT, 7/16" X 1-1/4" GR8
88	10-19588	BOLT, 1/2" X 1-1/4" GR5
89	10-19589	BOLT, 1/2" X 1-1/2" GR5
90	10-19590	BOLT, 5/8" X 1-1/2" GR5
91	10-19991	BOLT, 5/8" X 2" GR5
92	10-19591	BOLT, 5/8" X 6-1/2" GR5
93	10-19594	FLANGE NUT, 1/4" PLTD
94	10-19595	WHIZNUT, 5/16" PLTD
95	10-19596	WHIZNUT, 3/8" PLTD
96	10-17402	NYLON LOCKNUT, 3/8" PLTD
97	10-19598	NYLON LOCKNUT, 7/16" PLTD
98	10-19599	LOCKNUT, 1/2" PLTD
99	10-19600	LOCKNUT, 5/8" PLTD
100	10-19604	LOCKWASHER, 3/8
101	10-17181	5/8" CLEVIS PIN
102	10-17383	HAIR CLIP
103	10-19147	1/4" CABLE CLAMP

TFX AUGER 1041

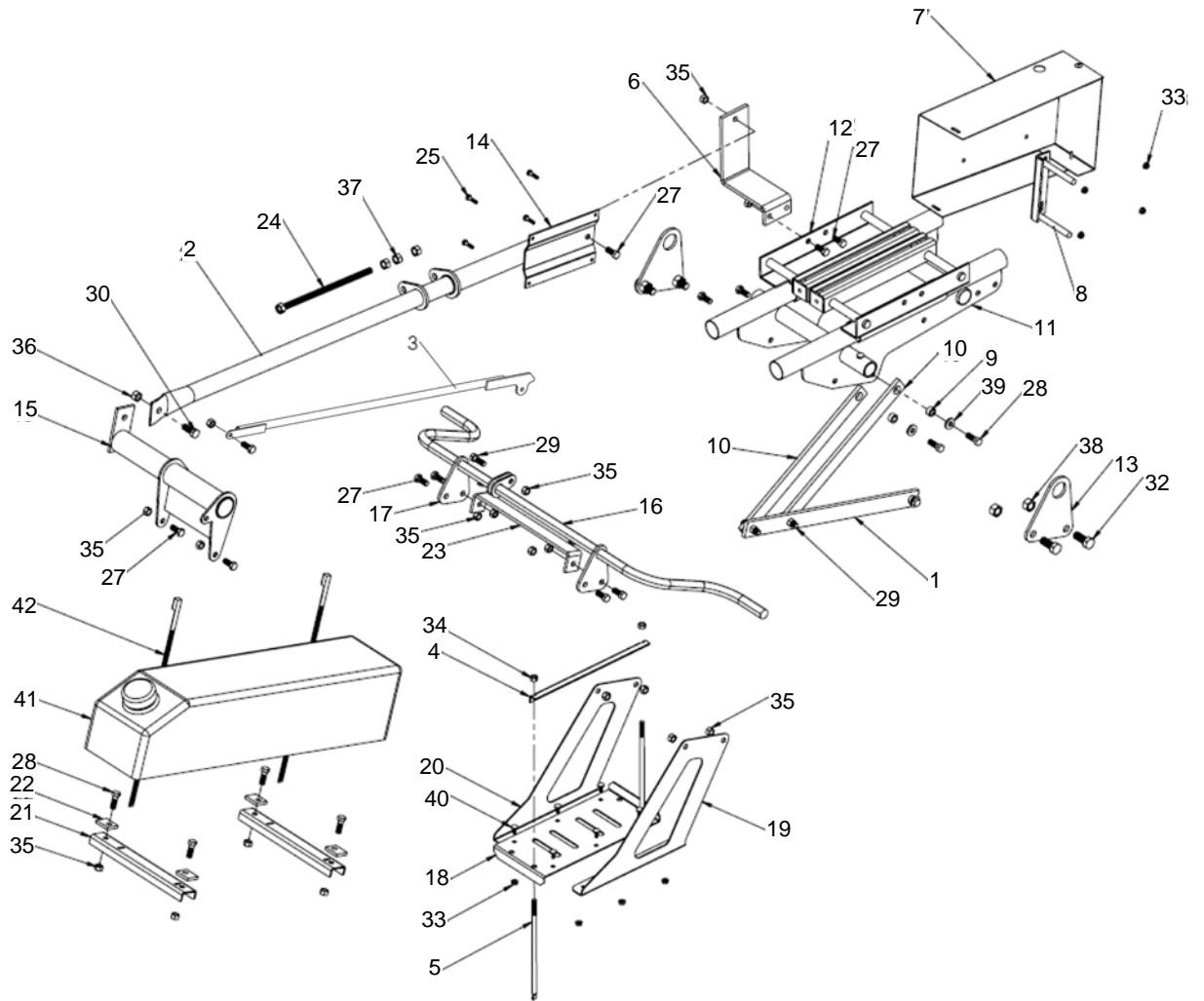
ITEM	PART NO.	DESCRIPTION
104	10-19224	1/4" X 1" WOODRUFF KEY
105	10-19225	3/8" X 3/8" SET SCREW
106	10-19274	1/4" SHEET METAL SCREW
107	10-19331	1/2" EYEBOLT
108	10-19606	1/4" SQUARE X 1.5" KEY
108A	10-19886	YELLOW TOUCH UP PAINT
108B	10-28721	RED TOUCH UP PAINT
109	10-19467	HUB ASSEMBLY, COMPLETE
110	10-19264	SEAL
111	10-19265	LARGE BEARING, TIMKEN #LM67048
112	10-19266	LARGE CUP, TIMKEN #LM67010
113	10-19267	HUB W/ CAPS
114	10-19268	SMALL CUP, TIMKEN #LM11910
115	10-19269	SMALL BEARING, TIMKEN #LM11949
115	10-19270	SLOTTED NUT, 3/4" - 16
117	10-19272	DUST CAP
118	10-19261	15" WHEEL, 4 BOLT
119	10-19273	WHEEL BOLT 1/2" - 20
120	10-19271	COTTER PIN, 1/8" X 1-1/2"
122	10-17226	Upper drive housing
123	10-19599	Locknut, 1/2"
124	10-17746	Bolt, 1/2" x 1-1/2"
124D	10-18852	1-1/4" Pillow block bearing only
124C	10-19567	1-1/4" Pillow block bearing
125	10-19595	Whiznut, 5/16"
126	10-19596	Whiznut, 3/8"
127	10-19430	Upper sprocket
128	10-29356	Lower sprocket, 60825
129	10-19225	Setscrew, 3/8" - 16 x 3/8"
130	10-19224	Woodruff key, 1/4" x 1"
130A	10-19606	1/4" x 1-1/2" SQ key
131	10-18726	Roller chain w/connector
131A	10-19433	Roller chain connector only
131B	10-29526	#60 Offset Link
132	10-17160	Oil bath housing cover
133	10-19594	Whiznut, 1/4"
134	10-17749	Bolt, 5/16" - 18 x 3/4"
135	10-18184	Bolt, 3/8" - 16 x 3/4"
136	10-19988	Bolt, 1/4" x 1" GR2
137	10-17182	7/16" Track Washer



TFX PTO PARTS

ITEM	PART NO.	DESCRIPTION
1A	10-29129	PTO UPPER DRIVE HOUSING ONLY
1	10-29132	PTO UPPER DRIVE ASSEMBLY
2A	10-29130	PTO LOWER DRIVE HOUSING ONLY
2	10-29133	PTO LOWER DRIVE ASSEMBLY
3	10-29131	PTO SHIELD
4	10-29120	PTO CHANNEL, UPPER
5	10-29121	PTO SHIELD FACE
6	10-29122	PTO SHIELD ADJUST HOLD DOWN
7	10-29124	PTO MOUNT BRACKET
8	10-29127	PTO GUARD BRACKET
9	10-29128	PTO CHANNEL GUARD
10	10-29134	PTO UPPER SHAFT
11	10-29135	PTO LOWER SHAFT
12	10-18878	BELTING STRAP
13	10-19988	BOLT, 1/4" X 1" GR2 PLTD
14	10-19538	BOLT, 5/16" X 3/4" GR2 PLTD
15	10-18091	BOLT, 5/16" X 1" GR2 PLTD
16	10-19542	BOLT, 7/16" X 1" GR5 PLTD
17	10-28744	BOLT, 7/16" X 1-1/2" GR5 PLTD
18	10-27914	JACKSHAFT/EMD TENSIONER THREADED ROD
19	10-19594	FLANGE NUT, 1/4" PLTD
20	10-19595	WHIZNUT, 5/16" PLTD
21	10-19980	NYLON LOCKNUT, 5/16" PLTD
22	10-19598	NYLON LOCKNUT, 7/16" PLTD
23	10-19602	HEX NUT, 1/2"
24	10-17182	7/16" FLAT WASHER
25	10-19606	1/4" SQUARE X 1.5" KEY
26	10-17229	MASTICATED RUBBER FLAP
27	10-19475	7.7" X 1" DOUBLE B GROOVE PULLEY
28	10-18533	15" X 1" DOUBLE B GROOVE PULLEY
29	10-19321	1" BEARING, 2-BOLT (W/ FLANGES)
30	10-18817	1" BEARING ONLY
31	10-18694	1" BEARING FLANGE
32	10-29079	TFX 22L GAS TANK MOUNT
33	10-29123	PTO MOTOR MOUNT LOCK
34	10-29126	PTO PIVOT TUBE LOCK
35	10-27917	TF/TFX PTO CRADLE BACK PLATE
36	10-29142	PTO SADDLE
37	10-19648	SADDLE PIN
38	10-17383	HAIR CLIP
39	10-18699	BOLT, 3/8" X 2-1/2" GR5
40	10-17402	NYLON LOCKNUT, 3/8" PLTD
41	10-19274	#14 X 5/8" SMS AB GR5 PLTD
42	10-19945	COMPLETE PTO DRIVELINE

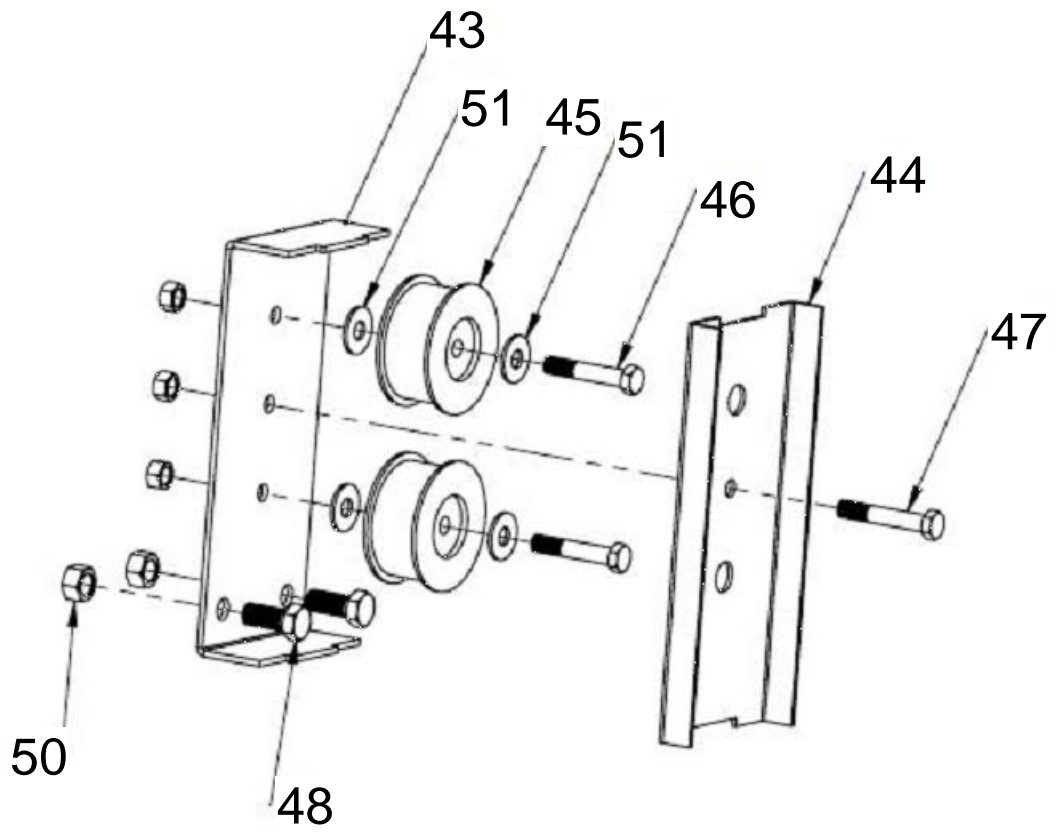
TFX MOTOR DRIVE



TFX MOTOR DRIVE

ITEM	PART NO.	DESCRIPTION
1	10-28960	31/36 HORIZONTAL LEVELLER BRACE
2	10-28970	31/36 UPPER TENSIONER ARM
2A	10-28971	41/51 UPPER TENSIONER ARM
3	10-28973	31/36 OVERCENTER TUBE
3A	10-28974	41/51 OVERCENTER TUBE
4	10-18211	HOLD DOWN STRAP, BATTERY
5	10-18212	HOLD DOWN BOLT, BATTERY
6	10-27892	PUSH BAR BRACKET
7	10-27867	MOTOR PULLEY GUARD ASSEMBLY
8	10-27869	MOTOR GUARD BELT SEPERATOR
9	10-27889	LEVELLER BUSHING
10	10-28959	VERTICAL LEVELLER BRACE
11	10-28966	MOTOR MOUNT
12	10-28967	MOTOR MOUNT SLIDER
13	10-28968	MOTOR MOUNT BRACKET
14	10-28969	LOWER TENSION ARM
15	10-28972	PIVOT ARM
16	10-28975	OVERCENTER HANDLE
17	10-28976	OVERCENTER HANDLE BRACKET
18	10-29076	TFX BATTERY HOLDER BOTTOM
19	10-29077	TFX BATTERY HOLDER SIDE, RIGHT
20	10-29078	TFX BATTERY HOLDER SIDE, LEFT
21	10-29079	TFX 22L GAS TANK MOUNT
22	10-29080	TFX 22L GAS TANK TAB
23	10-29104	TFX FLAT BRACE
24	10-29225	TFX BELT TENSIONER BOLT
25	10-19988	BOLT, 1/4" x 1" GR2 PLTD
26	10-18955	BOLT, 3/8" x 1" GR5 PLTD
27	10-19542	BOLT, 7/16" x 1" GR5 PLTD
28	10-18698	BOLT, 7/16" x 1-1/4" GR5 PLTD
29	10-28744	BOLT, 7/16" x 1-1/2" GR5 PLTD
30	10-19589	BOLT, 1/2" x 1-1/2" GR5 PLTD
31	10-19991	BOLT, 5/8" x 2" GR5 PLTD
32	10-19590	BOLT, 5/8" x 1-1/2" GR5 PLTD
33	10-19594	FLANGE NUT, 1/4" PLTD
34	10-19596	FLANGE NUT, 3/8" PLTD
35	10-19598	NYLON LOCKNUT, 7/16" PLTD
36	10-19599	LOCKNUT, 1/2" PLTD
37	10-19602	HEX NUT, 1/2" PLTD
38	10-19600	LOCKNUT, 5/8" PLTD
39	10-17182	7/16" FLAT WASHER
40	10-27113	CARRIAGE BOLT, 1/4" x 3/4" GR2 PLTD
41	1200051	GAS TANK, 22L W/CAP
42	9900216	32" HOSE CLAMP

TFX IDLER



TFX IDLER

ITEM	PART NO.	DESCRIPTION
43	10-28964	IDLER BRACKET
44	10-28965	IDLER SHIELD
45	10-28447	IDLER PULLEY
46	10-19798	BOLT, 1/2" x 2-3/4" GR8 PLTD
47	10-17762	BOLT, 1/2" x 3" GR5 PLTD
48	10-19590	BOLT, 5/8" x 1-1/2" GR5 PLTD
49	10-19599	LOCKNUT, 1/2" PLTD
50	10-19600	LOCKNUT, 5/8" PLTD
51	10-17401	1/2" FLAT WASHER PLTD

WESTFIELD

Westfield Industries is a Division of Ag Growth Industries Partnership
Part of the Ag Growth International Inc. Group

P.O. Box 39

Rosenort, Manitoba, Canada R0G 1W0

Phone: (866) 467-7207 (Canada & USA)

Fax: (866) 768-4852

website: www.grainaugers.com

email: sales@grainaugers.com

© Ag Growth International 2015



Printed in Canada