

WESTFIELD 

WCX1335 CONVEYOR

PARTS MANUAL

Revised: 26/06/2018

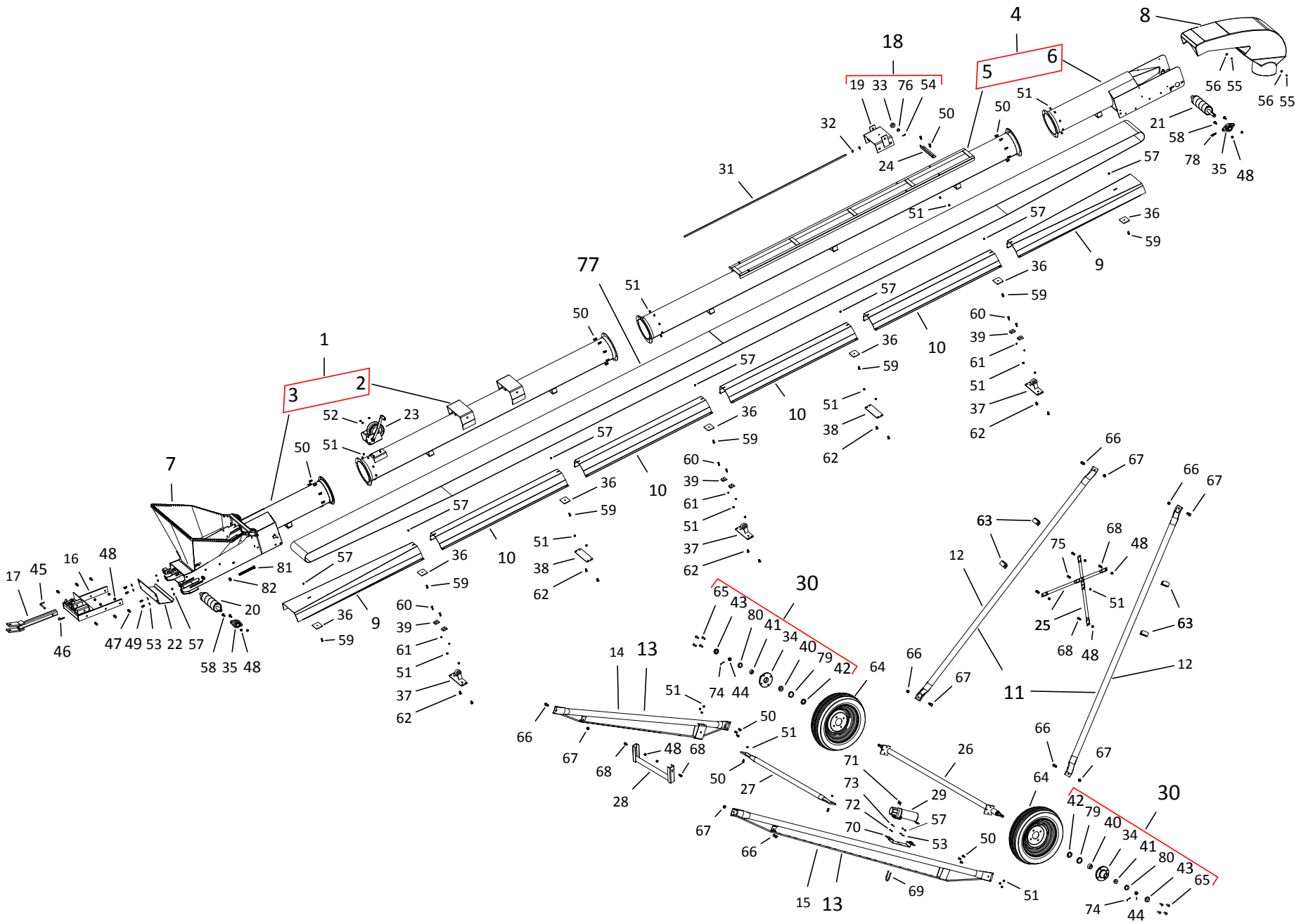
AGI 

This page intentionally left blank.

TABLE OF CONTENTS

DESCRIPTION	PAGE
WCX1335 CONVEYOR COMPONENTS	4
HOPPER COMPONENTS	8
ELECTRIC DRIVE KIT (A240)	10
HYDRAULIC MOTOR DRIVE (A241)	12

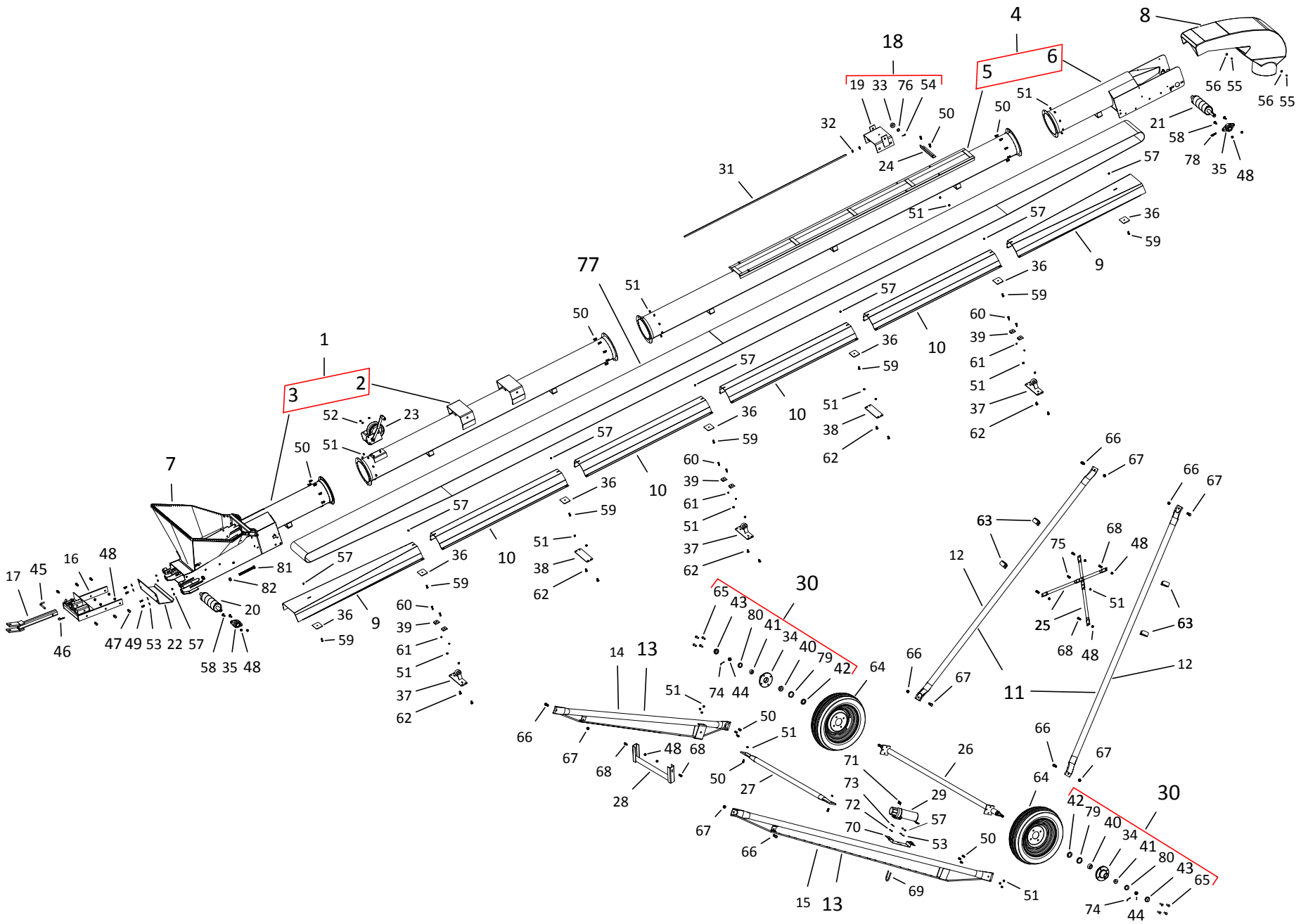
WCX1335 CONVEYOR COMPONENTS



WCX1335 CONVEYOR COMPONENTS

ITEM	PART NO.	DESCRIPTION
1	10-22729	LOWER TUBE ASSY , WCX1335 (2016)
2	10-22728	LOWER TUBE ONLY, WC 1335 (2016)
3	10-28810	WC 1335 HOPPER TUBE (2009)
4	10-22727	UPPER TUBE ASSY, WCX1335 (2016)
5	10-22726	UPPER TUBE ONLY, WCX1335 (2016)
6	10-28809	WC 1335 SPOUT (2009)
7	10-28816	COLLAPSIBLE HPR & WG KIT, WCX1335
8	10-28812	PLASTIC HOOD
9	10-22733	WEATHER GUARD TAPERED, WCX1335
10	10-22734	WEATHER GUARD STRAIGHT, WCX1335
11	10-27282	UPPER FRAME BUNDLE , AS SHIPPED INCLUDES REF.NO 25
12	10-19383	W41 UPPER FRAME TUBE
13	10-19365	WR41 LOWER REACH TUBE, FRAME BUNDLE , AS SHIPPED
14	10-19350	WR-41 LOWER ARM WELD'T - LH
15	10-19351	WR - 41 LOWER REACH ARM - RH
16	10-28807	HITCH ATTACH, WC1335
17	10-27284	HITCH TUBE
18	10-27251	TRACKSHOE ASSEMBLY
19	10-27250	TRACKSHOE, LESS ROLLER
20	10-27247	BOTTOM ROLLER ASS'Y
21	10-27248	TOP ROLLER ASS'Y
22	10-28808	WC1335 SKID SHOE
23	10-19152	WINCH
24	10-27258	TRACKSTOP
25	10-27263	UPPER FRAME CROSS
26	10-19338	WR41 AXLE WELD'T
27	10-27259	CROSS MEMBER
28	10-27257	SHORT CROSS-MEMBER
29	10-29755	PLASTIC MANUAL HOLDER
30	10-19467	HUB ASSEMBLY
31	10-18823	WINCH CABLE
32	10-19147	1/4" CABLE CLAMP
33	10-27255	TRACK ROLLER
34	10-19267	HUB
35	10-27246	2-BOLT PILLOW BLOCK 1-1/4" BEARING
36	P1010001	UNI-MOUNT PLATE CAST
37	130100811	MOUNT BAR KIT WITH ROLLER
38	P11130288	FITTED WP CROSS BAR (NO ROLLER)
39	P1210030	BELT GUIDE BLOCK
40	10-19265	BEARING CONE, TIMKEN #LM67048
41	10-19269	BEARING CONE, TIMKEN #LM11949
42	10-19264	SEAL
43	10-19272	DUST CAP
44	10-19270	3/4" SLOTTED NUT
45	10-19648	SADDLE PIN
46	10-19463	HITCH PIN
47	10-19589	BOLT, 1/2" X 1-1/2"
48	10-19599	LOCKNUT 1/2" PLTD
49	10-18955	BOLT, 3/8" x 1" GR5 PLTD
50	10-19542	BOLT, 7/16" x 1" GR5 PLTD

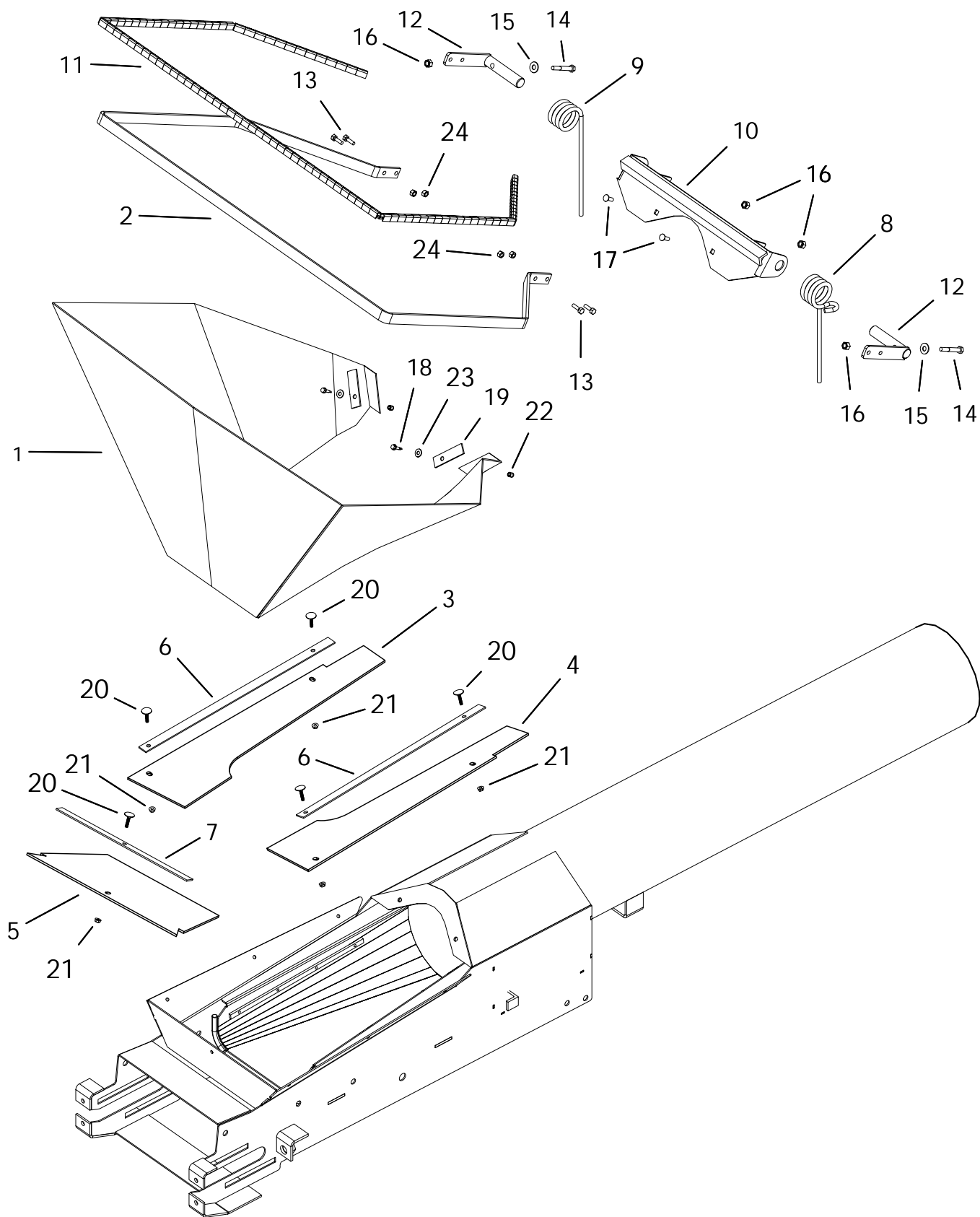
WCX1335 CONVEYOR COMPONENTS



WCX1335 CONVEYOR COMPONENTS

ITEM	PART NO.	DESCRIPTION
51	10-19598	LOCKNUT, 7/16" - 14
52	10-19596	WHIZNUT, 3/8"
53	10-17392	FLAT WASHER, 3/8" PLTD
54	10-18155	COTTER PIN, 3/16 x 1-1/4"
55	10-19274	SELF TAPPING SCREWS
56	10-27336	5/16" FLAT WASHER
57	10-17402	LOCKNUT, 3/8"
58	10-17807	CARRIAGE BOLT, 1/2"X1-1/2"
59	P0115303	CAPSCREW 3/8X1-1/4
60	P0113020	CARRIAGE BOLT 5/16"X1-1/2"PLATED
61	10-19980	LOCKNUT, 5/16"
62	P0113013	CARRIAGE BOLT 7/16"X1" PLATED GR5
63	10-27242	2-1/2" CIRCULAR CLAMP
64	10-21330	15 X 4.5 X 4 BOLT WHEEL ASSEMBLY
65	10-19273	WHEEL BOLT WB10 - 1/2"X1-3/4"
66	10-19590	BOLT, 5/8" x 1-1/2" GR5 PLTD
67	10-19600	LOCKNUT, 5/8"
68	10-19588	BOLT, 1/2" x 1-1/4" GR5 PLTD
69	10-19610	U-BOLT, 3/8" x 2-1/2" PLTD
70	10-29798	MANUAL HOLDER MOUNT
71	9900800	BOLT, 1/4" x 3/4"
72	10-28449	LOCKNUT , 1/4" PLTD
73	9900683	FLAT WASHER, 1/4"
74	10-19271	COTTER PIN, 1/8" x 1-1/2"
75	10-18698	BOLT, 7/16" x 1-1/4" GR8 PLTD
76	10-18948	3/4" RIM WASHER
77	10-27273	WC1335 BELT, 13" X 72'
77A	10-27341	WC13 LACING KIT (NOT SHOWN)
78	10-17819	SETSCREW 7/16"X 2-1/2"SQ
79	10-19266	BEARING CUP, TIMKEN #LM67010
80	10-19268	BEARING CUP, TIMKEN #LM11910
81	10-28811	BOLT, 3/4" x 7" GR5 PLTD
82	10-19997	HEX NUT, 3/4"

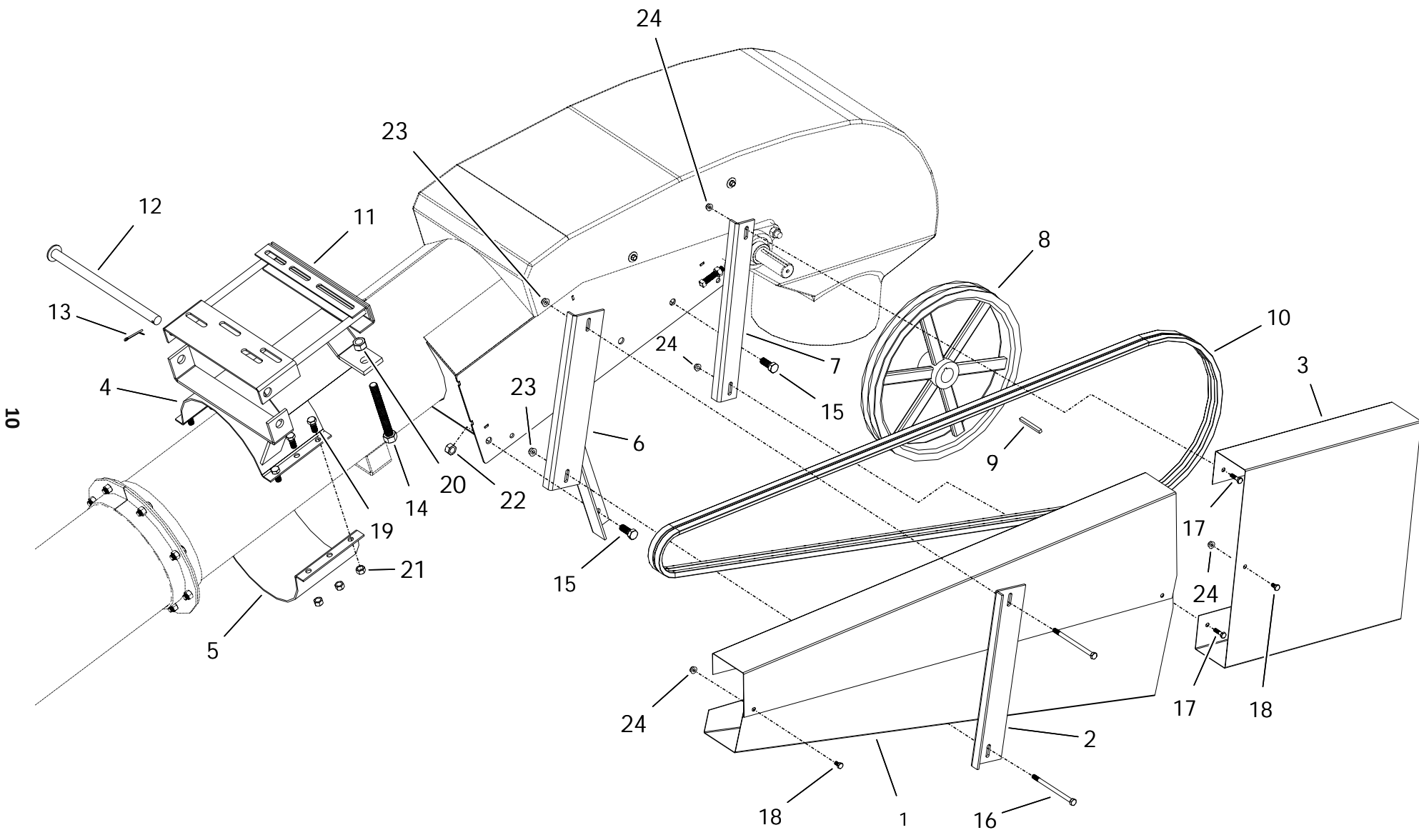
HOPPER COMPONENTS



HOPPER COMPONENTS

ITEM	PART NO.	DESCRIPTION
1	10-28824	HOPPER CANVAS, NO LOGO
2	10-28815	UPPER CLOTH FRAME, WC1335
3	10-28817	HOPPER SIDE FLASHING LEFT
4	10-28818	HOPPER SIDE FLASHING RIGHT
5	10-28819	HOPPER FRONT FLASHING
6	10-28820	LOWER CLOTH FRAME STD SIDE
7	10-28821	LOWER CLOTH FRAME STD FRONT
8	10-27237	HOPPER SPRING-L
9	10-27238	HOPPER SPRING-R
10	10-28813	HOPPER SHIELD
11	10-28825	TRIM LOCK
12	10-28814	PIVOT SHAFT SOLID, WC1335
13	10-18091	BOLT 5/16" X 1"
14	10-18699	BOLT, 3/8" X 2-1/2"
15	10-17392	FLAT WASHER, 3/8" PLTD
16	10-17402	LOCKNUT, 3/8"
17	10-27986	CARRIAGE BOLT, 3/8" X 1"
18	10-27382	TEK SCREW 1/4"X1"
19	10-28822	LOWER CLOTH FRAME STD BACK
20	10-27379	ELEVATOR BOLT, 1/4" X 1-1/4"
21	10-19594	WHIZNUT, 1/4"
22	10-28823	VINYL SCREW CAP
23	10-27383	FLAT WASHER, 1/4" PLTD
24	10-19595	WHIZNUT, 5/16"

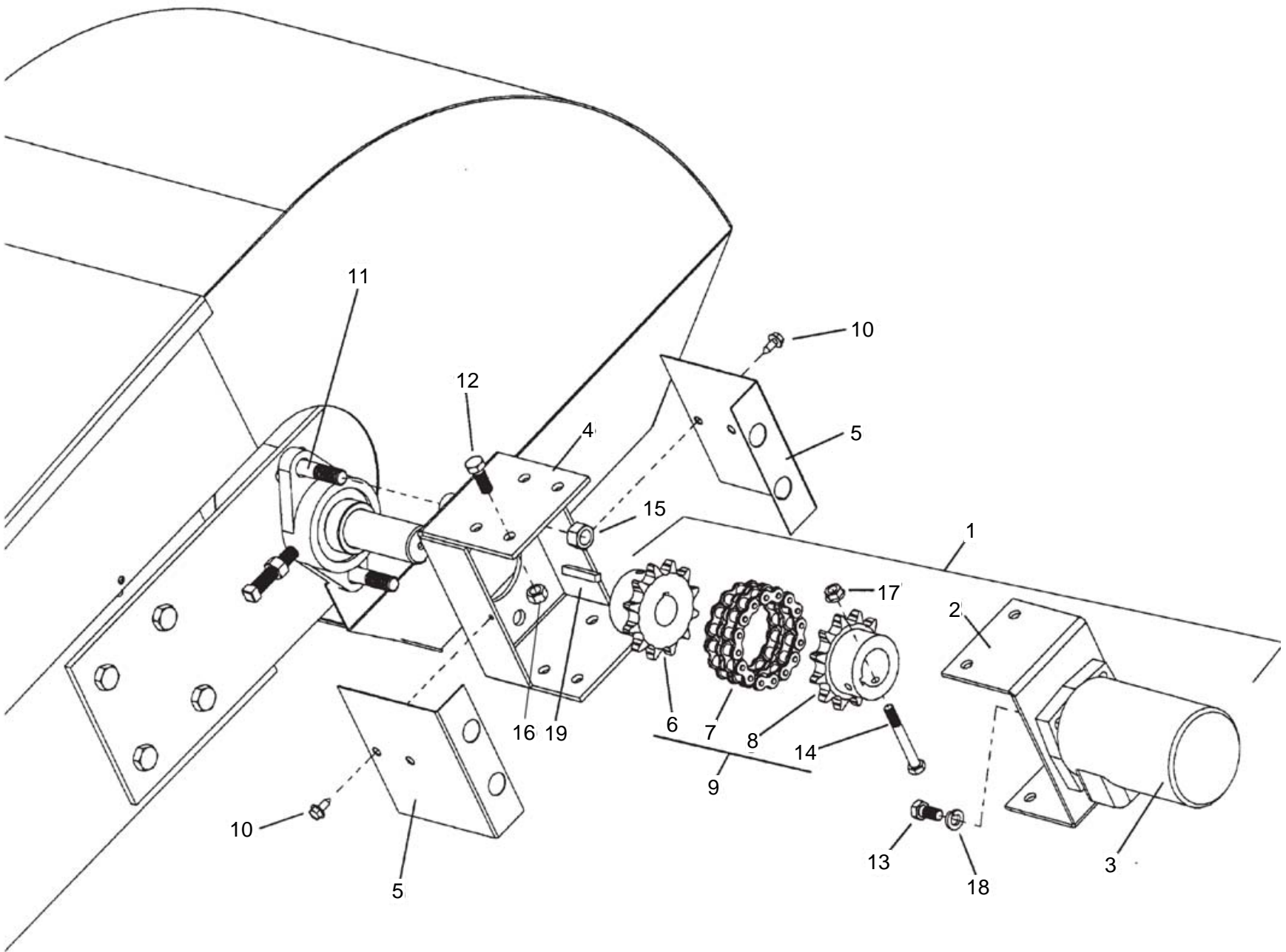
ELECTRIC DRIVE KIT (A240)



ELECTRIC DRIVE KIT (A240)

ITEM	PART NO.	DESCRIPTION
1	10-17240	W130 X 41 EMD PULLEY GUARD
2	10-19932	BRACKET, EMD SHIELD ATTACH
3	10-27268	PULLEY SHIELD EXTENSION
4	10-28804	WC 1335 MOTOR MOUNT BRACKET
5	10-27235	10" HITCH RING
6	10-28805	WC1335 DRIVESHIELD MOUNT
7	10-28806	WC1335 UPPER SHEILD MOUNT
8	10-19950	15" X 1-1/4" DOUBLE B GROOVE PULLEY
9	10-17854	1/4" X 2-1/2" SQUARE KEY
10	10-27281	B124 - BELTS
11	10-27462	MOTOR MOUNT
12	10-27463	HINGE ROD
13	10-19271	COTTER PIN, 1/8" x 1-1/2"
14	10-27249	WC1335 ADJUST BOLT
15	10-19588	BOLT, 1/2" x 1 1/4" GR5 PLTD
16	10-19936	BOLT, 5/16" X 5" GR2 PLTD
17	10-19988	BOLT, 1/4" X 1" GR2 PLTD
18	10-19537	BOLT, 1/4" X 1/2" GR5 PLTD
19	10-19542	BOLT, 7/16" X 1" GR5 PLTD
20	10-19864	HEX NUT, 5/8" PLTD
21	10-19598	NYLON LOCKNUT, 7/16" PLTD
22	10-19599	LOCKNUT, 1/2" PLTD
23	10-19595	WHIZNUT, 5/16" PLTD
24	10-19594	FLANGE NUT, 1/4" PLTD

HYDRAULIC MOTOR DRIVE (A241)



HYDRAULIC MOTOR DRIVE (A241)

ITEM	PART NO.	DESCRIPTION
1	10-27324	Motor assembly, as shipped
2	10-27286	Motor mount plate
3	10-28183	Hydraulic motor 4.5 cu.in. w/ 1" shaft
4	10-29083	BEARING MOUNT, A241
5	10-29244	HYDRAULIC DRIVE SHIELD, A241
6	10-19802	Flex connector sprocket, 1-1/4" bore w/ keyway
7	10-19559	Roller chain w/ connector link
8	10-17591	Flex connector sprocket, 1" bore w/ bolt
9	10-27271	COUPLER, 1" BOLT/1-1/4" KEY
10	10-19274	SELF TAPPING SCREW
11	10-19798	BOLT, 1/2" X 2-3/4"
12	10-18955	Bolt, 3/8" - 16 x 1", grade 5
13	10-19540	BOLT, 3/8" X 3/4"
14	10-19541	3/8" x 2-3/4" nc bolt gr2 pl
15	10-19599	Locknut, 1/2" - 13
16	10-17402	Locknut, 3/8" - 16
17	10-19596	3/8" serrated flange nut
18	10-19604	Lockwasher, 3/8"
19	10-19606	Square key, 1/4" x 1-1/2"

WESTFIELD 

P.O. Box 39

Rosenort, Manitoba, R0G 1W0 Canada

Phone: (866) 467-7207 (Canada & USA) or (204) 746-2396

Fax: (866) 768-4852

website: www.grainaugers.com

email: sales@grainaugers.com

© Ag Growth International Inc. 2018

Printed in Canada

AGI 