



WR & W130 SERIES AUGERS

PARTS MANUAL

Revised: 28/08/2018



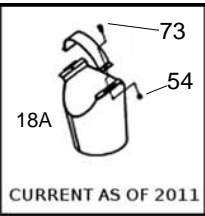
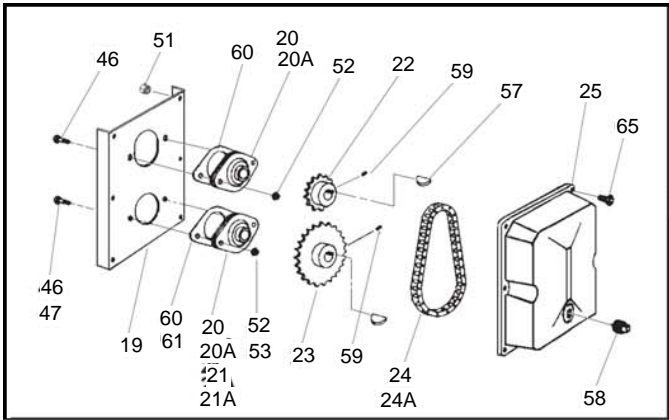
TABLE OF CONTENTS

DESCRIPTION	PAGE
WR60 26 BASIC AUGER	4
WR70 26 BASIC AUGER	8
WR80 26 BASIC AUGER	12
WR60 31 BASIC AUGER	16
WR70 31 BASIC AUGER	20
WR80 31 BASIC AUGER	24
WR60 36 BASIC AUGER	28
WR70 36 BASIC AUGER	32
WR80 36 BASIC AUGER	36
WR60 41 BASIC AUGER	40
WR70 41 BASIC AUGER	44
WR80 41 BASIC AUGER	48
WR70 46 BASIC AUGER	52
WR80 46 BASIC AUGER	56
WR60 51 BASIC AUGER	60
WR70 51 BASIC AUGER	64
WR80 51 BASIC AUGER	68
WR80 56 BASIC AUGER	72
WR60 61 BASIC AUGER	76
WR80 61 BASIC AUGER	80
WR80 71 BASIC AUGER	84
WR100 31 BASIC AUGER	88
WR100 41 BASIC AUGER	92
WR100 51 BASIC AUGER	96
WR100 61 BASIC AUGER	100
WR100 71 BASIC AUGER	104
W130 31 BASIC AUGER	108
W130 36 BASIC AUGER	112
W130 41 BASIC AUGER	116
W130 51 BASIC AUGER	120
W130 61 BASIC AUGER	124
W130 71 BASIC AUGER	128
W130-51 HYDRAULIC HOSE COMPONENTS	134
W130-61 HYDRAULIC HOSE COMPONENTS	135
W130-71 HYDRAULIC HOSE COMPONENTS	136
MANUAL HOLDER (WR60X26-51FT, WR80X26-51FT & WR100X31-41FT)	137

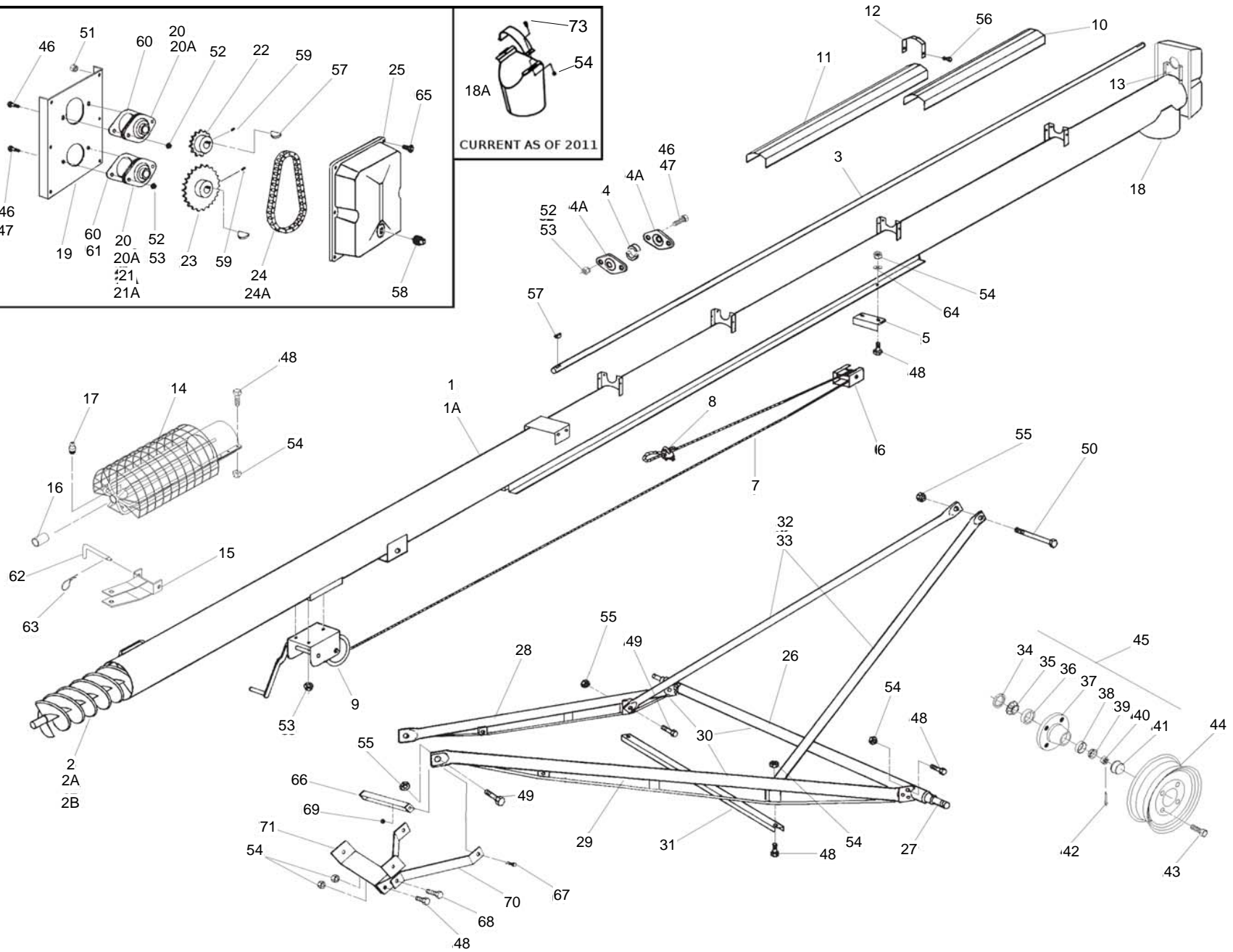
TABLE OF CONTENTS

DESCRIPTION	PAGE
MANUAL HOLDER (W130, WR60X61, WR80X56-71FT & WR100X51-71FT)	139

WR60 26 BASIC AUGER



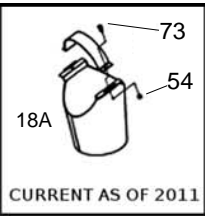
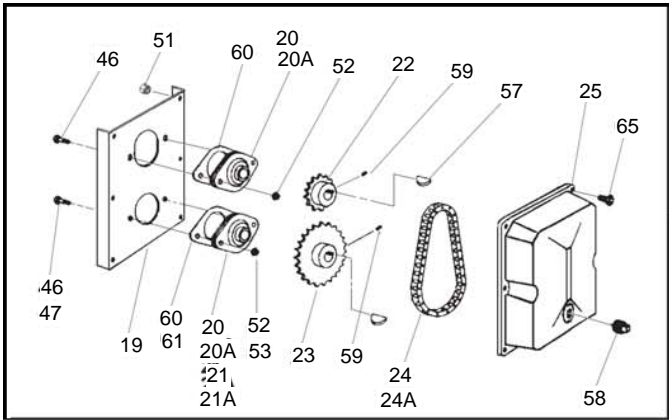
CURRENT AS OF 2011



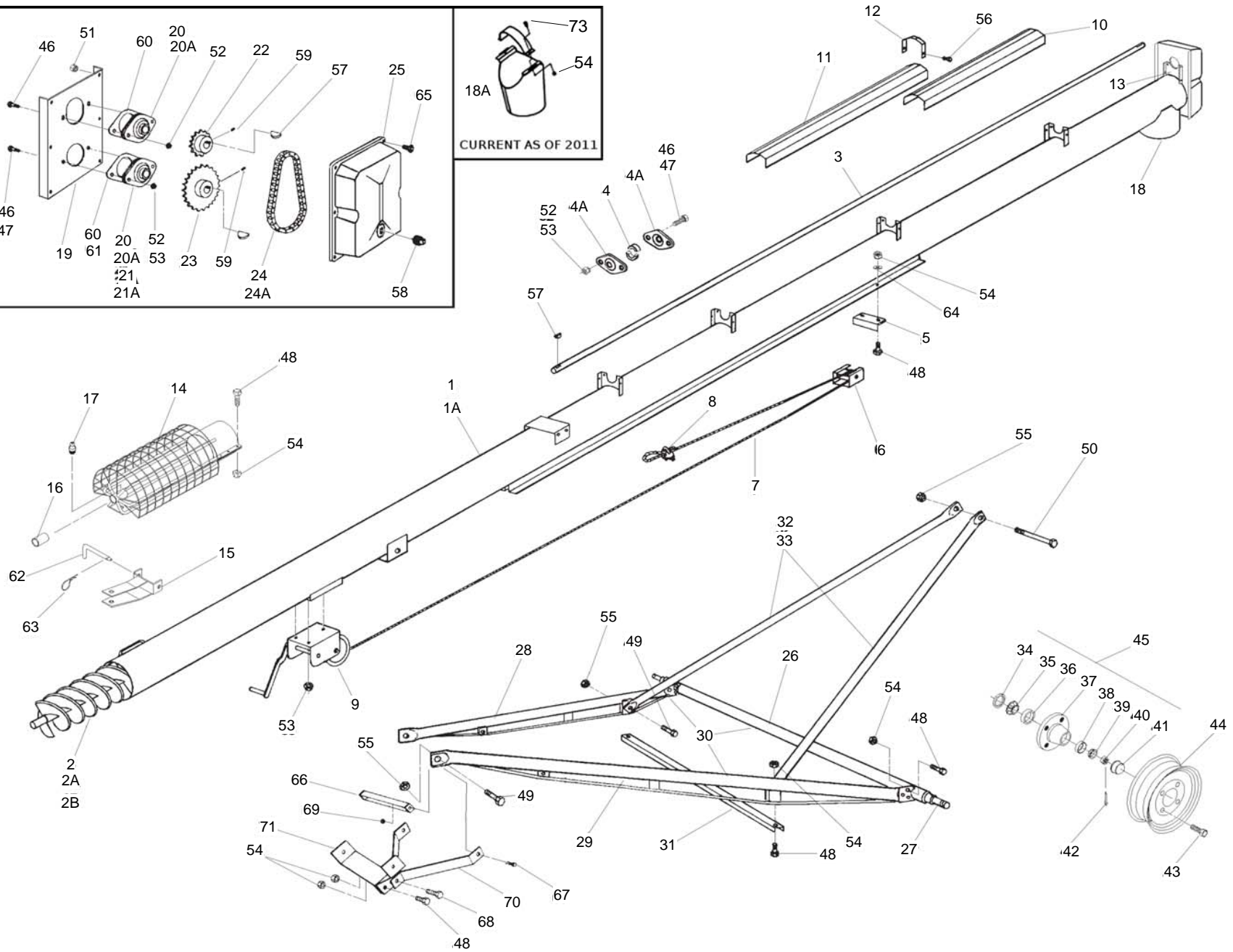
WR60 26 BASIC AUGER

ITEM	PART NO.	DESCRIPTION
1	10-19028	Tube section, w/driveshaft, housing, track
1A	10-19054	Tube bundle, as shipped
2	10-19005	Flight section
2A	10-19083	20" Weld-on crimped intake flight
2B	10-17532	Slip on intake flight (1998 & later)
3	10-19086	Driveshaft, 14' 4" long
4	10-18692	1" split hardwood bearing, set of 2 halves
4A	10-18694	1" bearing flange, single, 2 bolt
5	10-18762	Angle track stop
6	10-18763	Roller track shoe
7	10-19245	1/4" Cable, 21' long
8	10-19147	1/4" Cable clamp
9	10-19151	Winch, 4:1 ratio
10	10-19254	Driveshaft shield, 42" long
11	10-19255	Driveshaft shield, 48" long
12	10-19256	Shield tie-down strap
13	10-19257	Upper shield attach bracket
14	10-19019	Intake hitch w/shield, bushing, grease fitting
15	10-17123	Clevis, less pin
16	10-19149	1" Bushing
17	10-19222	Press-in grease fitting
18	10-19020	Weld-on outlet spout
19	10-17170	Upper drive housing
20	10-19321	1" Flangette bearing, 2 bolt w/flanges
20A	10-18817	1" Bearing, less flanges
22	10-19131	Upper sprocket, 14 tooth
23	10-19132	Lower sprocket, 25 tooth
24	10-19015	Roller chain w/connector
24A	10-19134	Roller chain connector only
25	10-17157	Housing cover
26	10-19335	Axle w/spindles, nuts, cotter pins
27	10-19262	Spindle, weld-on
28	10-19344	Lower reach tube, left
29	10-19345	Lower reach tube, right
30	10-19362	Lower reach frame bundle, as shipped
31	10-19371	crossmember
32	10-19380	Upper lift tube, left or right, single
33	10-19526	Upper lift bundle, as shipped, incl ref.#31
34	10-19264	Seal
35	10-19265	Large bearing, Timken #LM 67048
36	10-19266	Large cup, Timken #LM 67010
37	10-19267	Hub w/cups
38	10-19268	Small cup, Timken #LM 11910
39	10-19269	Small bearing, Timken #LM 11949
40	10-19270	Slotted nut, 3/4" - 16
41	10-19272	Dust cap
42	10-19271	Cotter pin, 1/8" x 1-1/2"
43	10-19273	Wheel bolt, 1/2" - 20
44	10-19261	15" Wheel, 4 bolt
45	10-19467	Hub assembly, complete

WR60 26 BASIC AUGER



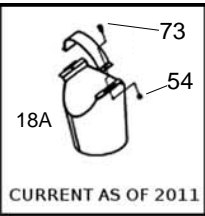
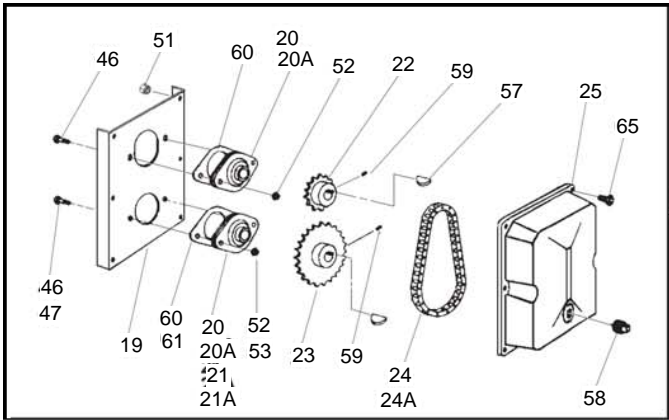
CURRENT AS OF 2011



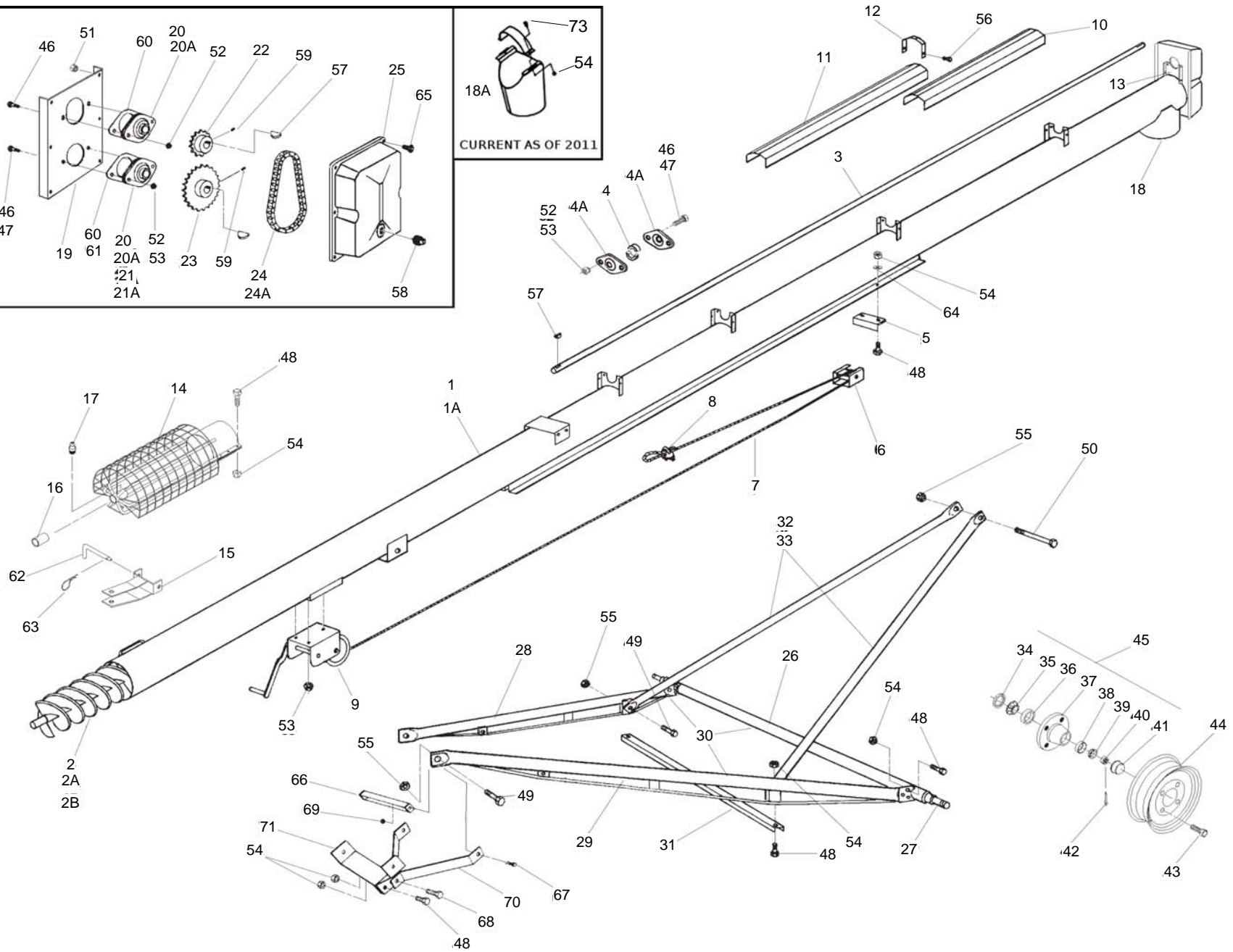
WR60 26 BASIC AUGER

ITEM	PART NO.	DESCRIPTION
46	10-19538	Bolt, 5/16" - 18 x 3/4", grade 2
48	10-19542	Bolt, 7/16" - 14 x 1", grade 5
49	10-19590	Bolt, 5/8" - 11 x 1-1/2", grade 5
50	10-19591	Bolt, 5/8" - 11 x 6-1/2", grade 5
51	10-19594	Washer locknut, 1/4" - 20
52	10-19595	Washer locknut, 5/16" - 18
53	10-19596	Washer locknut, 3/8" - 16
54	10-19598	Locknut, 7/16" - 14
55	10-19600	Locknut, 5/8" - 11
56	10-19274	self-tapping screw, #14 x 5/8", w/washerhead
57	10-19224	Woodruff key, 1/4" x 1"
58	10-17179	3/8" Plug
59	10-19225	Setscrew, 3/8" - 16 x 3/8"
60	10-17167	Gasket for 1" flangette bearing
62	10-17181	Clevis pin
63	10-17383	Grip clip
64	10-17182	Track washer, 7/16"
65	10-19988	Bolt, 1/4" - 20 x 1", grade 2
72	10-19676	Basic carton
73	10-18698	7/16" x 1-1/4" NC Bolt Gr8 Pltd

WR70 26 BASIC AUGER



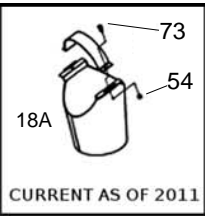
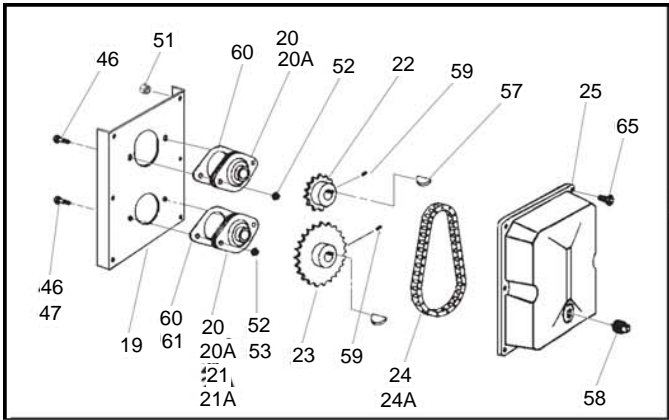
CURRENT AS OF 2011



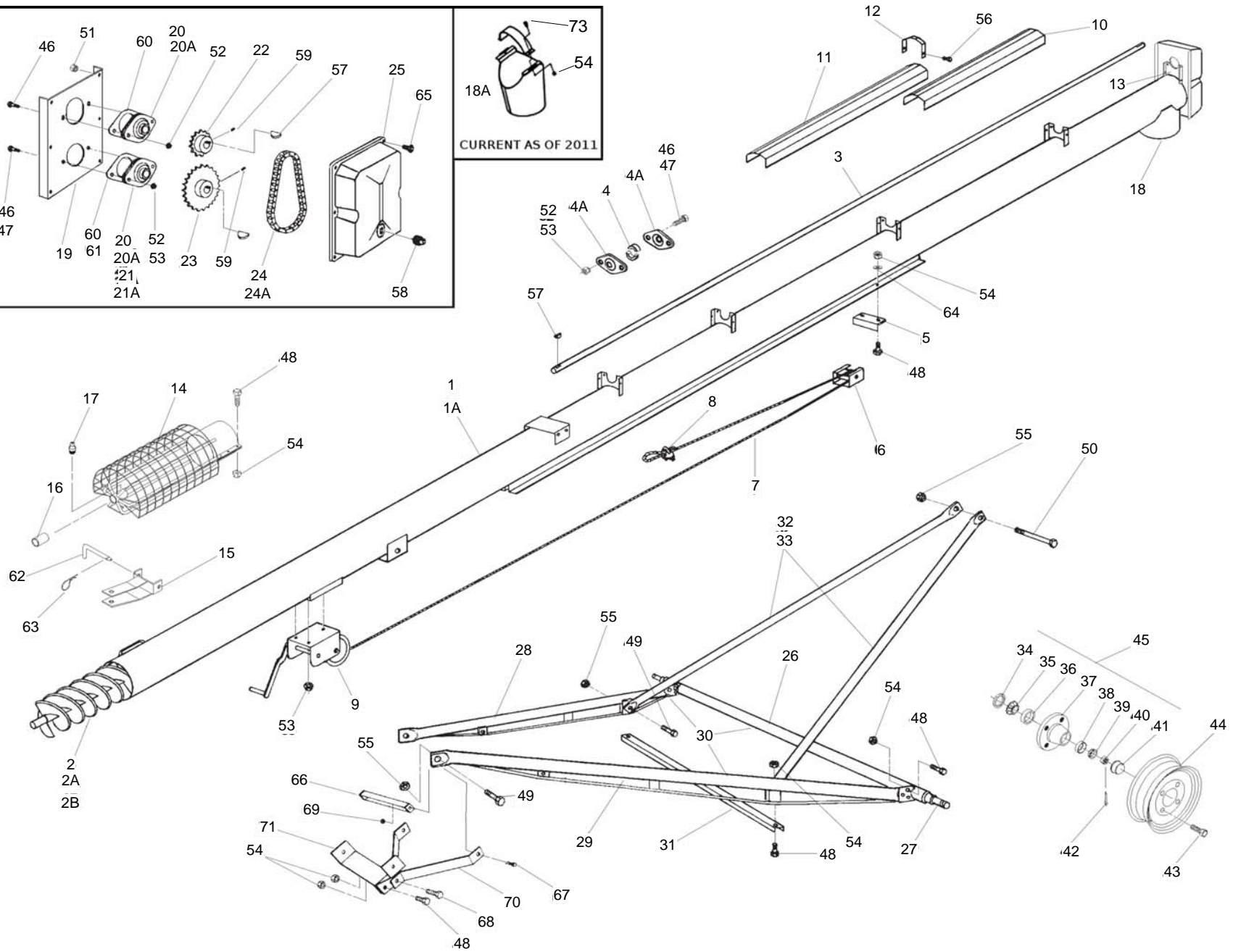
WR70 26 BASIC AUGER

ITEM	PART NO.	DESCRIPTION
1	10-19029	Tube section, w/driveshaft, housing, track
1A	10-19055	Tube bundle, as shipped
2	10-19099	Flight section
2A	10-19084	20" Weld-on crimped intake flight
2B	10-17533	Slip on intake flight (1998 & later)
3	10-19086	Driveshaft, 14' 4" long
4	10-18692	1" split hardwood bearing, set of 2 halves
4A	10-18694	1" bearing flange, single, 2 bolt
5	10-18762	Angle track stop
6	10-18763	Roller track shoe
7	10-19245	1/4" Cable, 21' long
8	10-19147	1/4" Cable clamp
9	10-19151	Winch, 4:1 ratio
10	10-19254	Driveshaft shield, 42" long
11	10-19255	Driveshaft shield, 48" long
12	10-19256	Shield tie-down strap
13	10-19257	Upper shield attach bracket
14	10-19192	Intake hitch w/shield, bushing, grease fitting
15	10-17123	Clevis, less pin
16	10-19149	1" Bushing
17	10-19222	Press-in grease fitting
18	10-17155	Weld-on outlet spout
19	10-17171	Upper drive housing
20	10-19321	1" Flangette bearing, 2 bolt w/flanges
20A	10-18817	1" Bearing, less flanges
22	10-19131	Upper sprocket, 14 tooth
23	10-19132	Lower sprocket, 25 tooth
24	10-19133	Roller chain w/connector
24A	10-19134	Roller chain connector only
25	10-17157	Housing cover
26	10-19335	Axle w/spindles, nuts, cotter pins
27	10-19262	Spindle, weld-on
28	10-19344	Lower reach tube, left
29	10-19345	Lower reach tube, right
30	10-19362	Lower reach frame bundle, as shipped
31	10-19371	crossmember
32	10-19380	Upper lift tube, left or right, single
33	10-19526	Upper lift bundle, as shipped, incl ref.#31
34	10-19264	Seal
35	10-19265	Large bearing, Timken #LM 67048
36	10-19266	Large cup, Timken #LM 67010
37	10-19267	Hub w/cups
38	10-19268	Small cup, Timken #LM 11910
39	10-19269	Small bearing, Timken #LM 11949
40	10-19270	Slotted nut, 3/4" - 16
41	10-19272	Dust cap
42	10-19271	Cotter pin, 1/8" x 1-1/2"
43	10-19273	Wheel bolt, 1/2" - 20
44	10-19261	15" Wheel, 4 bolt
45	10-19467	Hub assembly, complete

WR70 26 BASIC AUGER

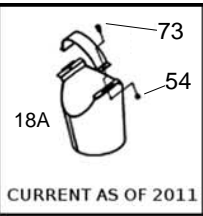
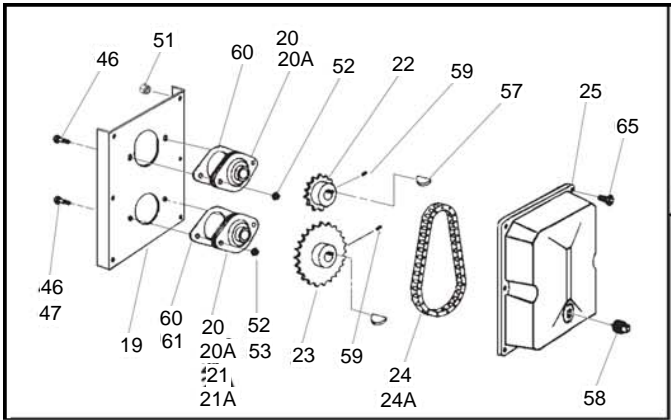


CURRENT AS OF 2011

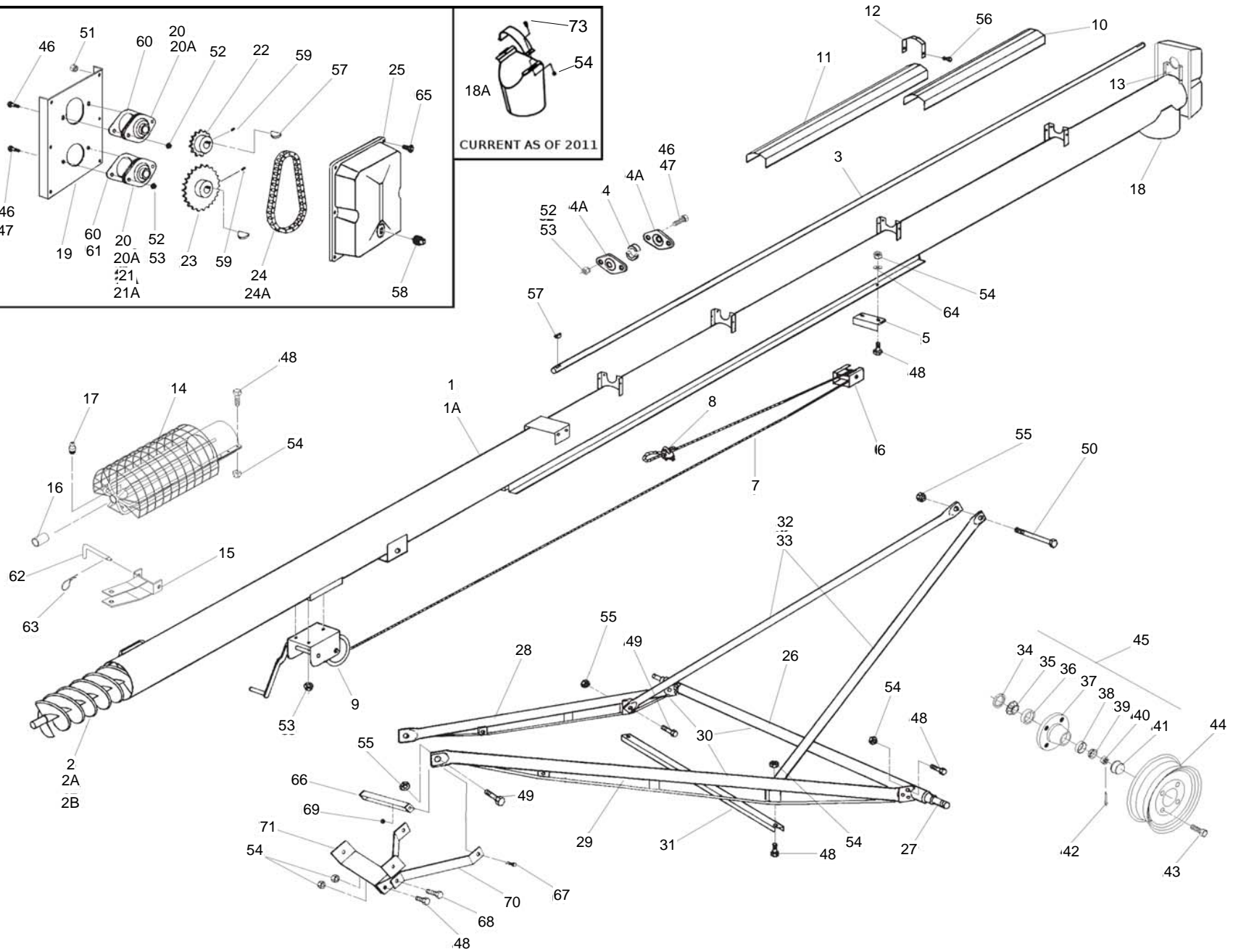


WR70 26 BASIC AUGER

ITEM	PART NO.	DESCRIPTION
46	10-19538	Bolt, 5/16" - 18 x 3/4", grade 2
48	10-19542	Bolt, 7/16" - 14 x 1", grade 5
49	10-19590	Bolt, 5/8" - 11 x 1-1/2", grade 5
50	10-19591	Bolt, 5/8" - 11 x 6-1/2", grade 5
51	10-19594	Washer locknut, 1/4" - 20
52	10-19595	Washer locknut, 5/16" - 18
53	10-19596	Washer locknut, 3/8" - 16
54	10-19598	Locknut, 7/16" - 14
55	10-19600	Locknut, 5/8" - 11
56	10-19274	self-tapping screw, #14 x 5/8", w/washerhead
57	10-19224	Woodruff key, 1/4" x 1"
58	10-17179	3/8" Plug
59	10-19225	Setscrew, 3/8" - 16 x 3/8"
60	10-17167	Gasket for 1" flangette bearing
62	10-17181	Clevis pin
63	10-17383	Grip clip
64	10-17182	Track washer, 7/16"
65	10-19988	Bolt, 1/4" - 20 x 1", grade 2
72	10-17771	Basic carton
73	10-18698	7/16" x 1-1/4" NC Bolt Gr8 Pltd



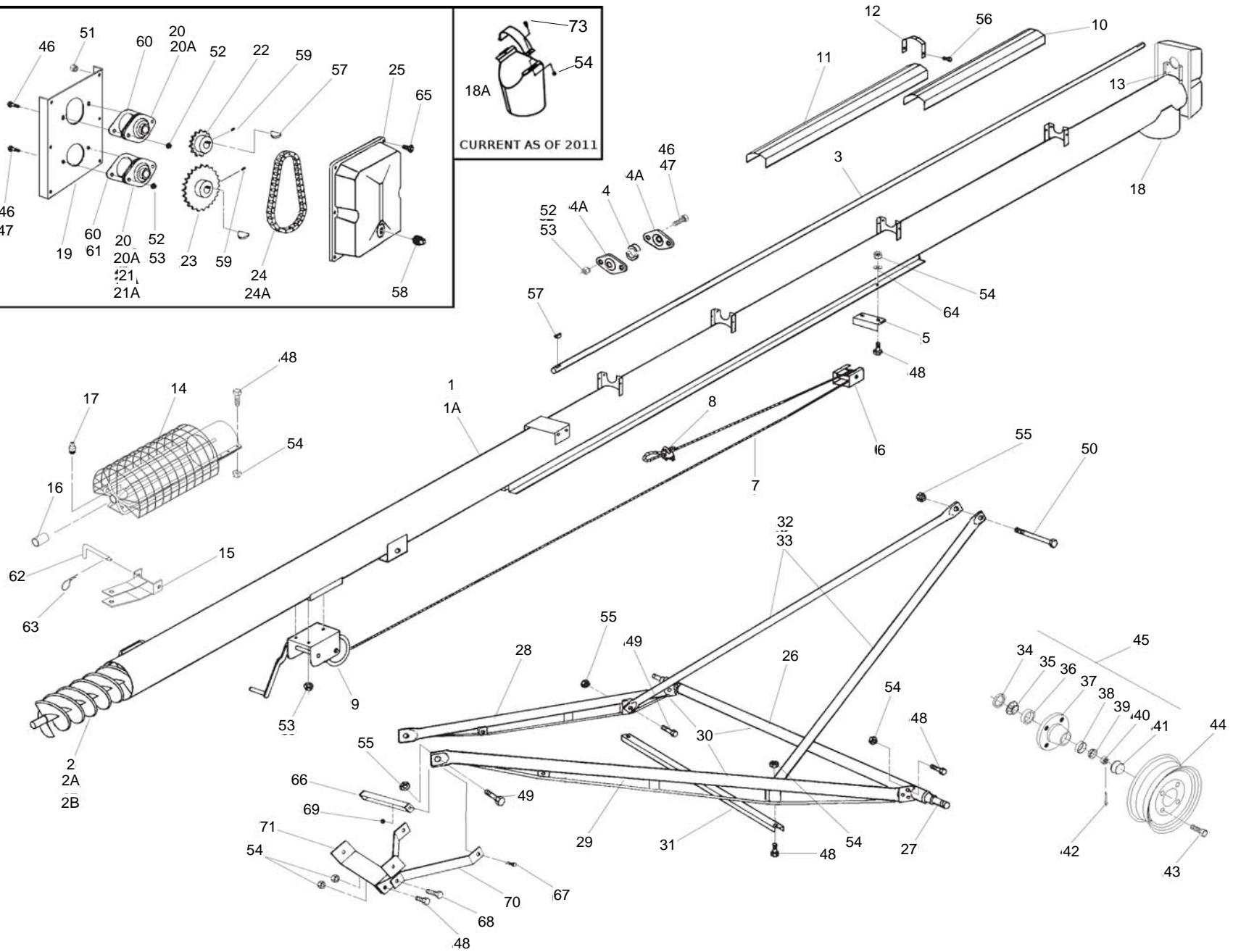
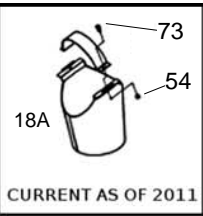
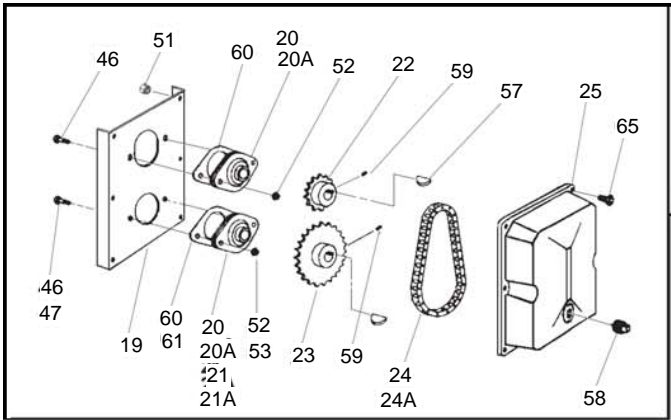
CURRENT AS OF 2011



WR80 26 BASIC AUGER

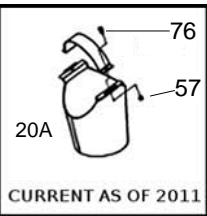
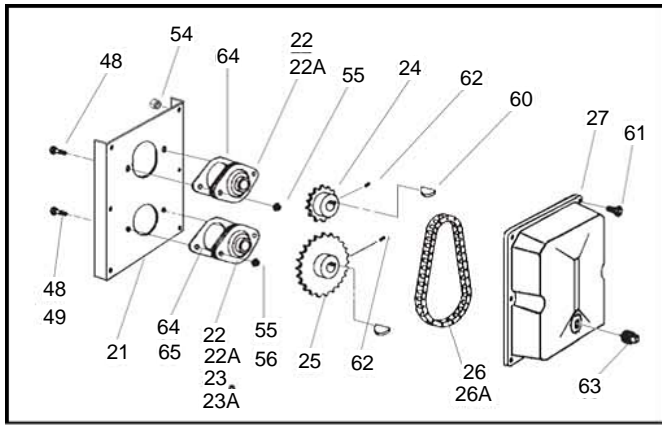
ITEM	PART NO.	DESCRIPTION
1	10-19030	Tube section, w/driveshaft, housing, track
1A	10-19056	Tube bundle, as shipped
2	10-19389	Flight section
2A	10-19085	20" Weld-on crimped intake flight
2B	10-17534	Slip on intake flight (1998 & later)
3	10-19087	Driveshaft, 14' 4-1/2" long
4	10-18693	1-1/4" split hardwood bearing, set of 2 halves
4A	10-18695	1-1/4" bearing flange, single, 2 bolt
5	10-18762	Angle track stop
6	10-18763	Roller track shoe
7	10-19245	1/4" Cable, 21' long
8	10-19147	1/4" Cable clamp
9	10-19151	Winch, 4:1 ratio
10	10-19254	Driveshaft shield, 42" long
11	10-19255	Driveshaft shield, 48" long
12	10-19256	Shield tie-down strap
13	10-19257	Upper shield attach bracket
14	10-19398	Intake hitch w/shield, bushing, grease fitting
15	10-17123	Clevis, less pin
16	10-19149	1" Bushing
17	10-19222	Press-in grease fitting
18	10-17156	Weld-on outlet spout
18A	10-29306	Strap-on outlet spout
19	10-17172	Upper drive housing
20	10-19321	1" Flangette bearing, 2 bolt w/flanges
20A	10-18817	1" Bearing, less flanges
21	10-19322	1-1/4" Flangette bearing, 2 bolt w/flanges
21A	10-18853	1-1/4" Bearing, less flanges
22	10-19430	Upper sprocket, 14 tooth
23	10-19431	Lower sprocket, 25 tooth
24	10-19432	Roller chain w/connector
24A	10-19433	Roller chain connector only
25	10-17158	Housing cover
26	10-19335	Axle w/spindles, nuts, cotter pins
27	10-19262	Spindle, weld-on
28	10-19344	Lower reach tube, left
29	10-19345	Lower reach tube, right
30	10-19362	Lower reach frame bundle, as shipped
31	10-19371	crossmember
32	10-19380	Upper lift tube, left or right, single
33	10-19526	Upper lift bundle, as shipped, incl ref.#31
34	10-19264	Seal
35	10-19265	Large bearing, Timken #LM 67048
36	10-19266	Large cup, Timken #LM 67010
37	10-19267	Hub w/cups
38	10-19268	Small cup, Timken #LM 11910
39	10-19269	Small bearing, Timken #LM 11949
40	10-19270	Slotted nut, 3/4" - 16
41	10-19272	Dust cap
42	10-19271	Cotter pin, 1/8" x 1-1/2"

WR80 26 BASIC AUGER

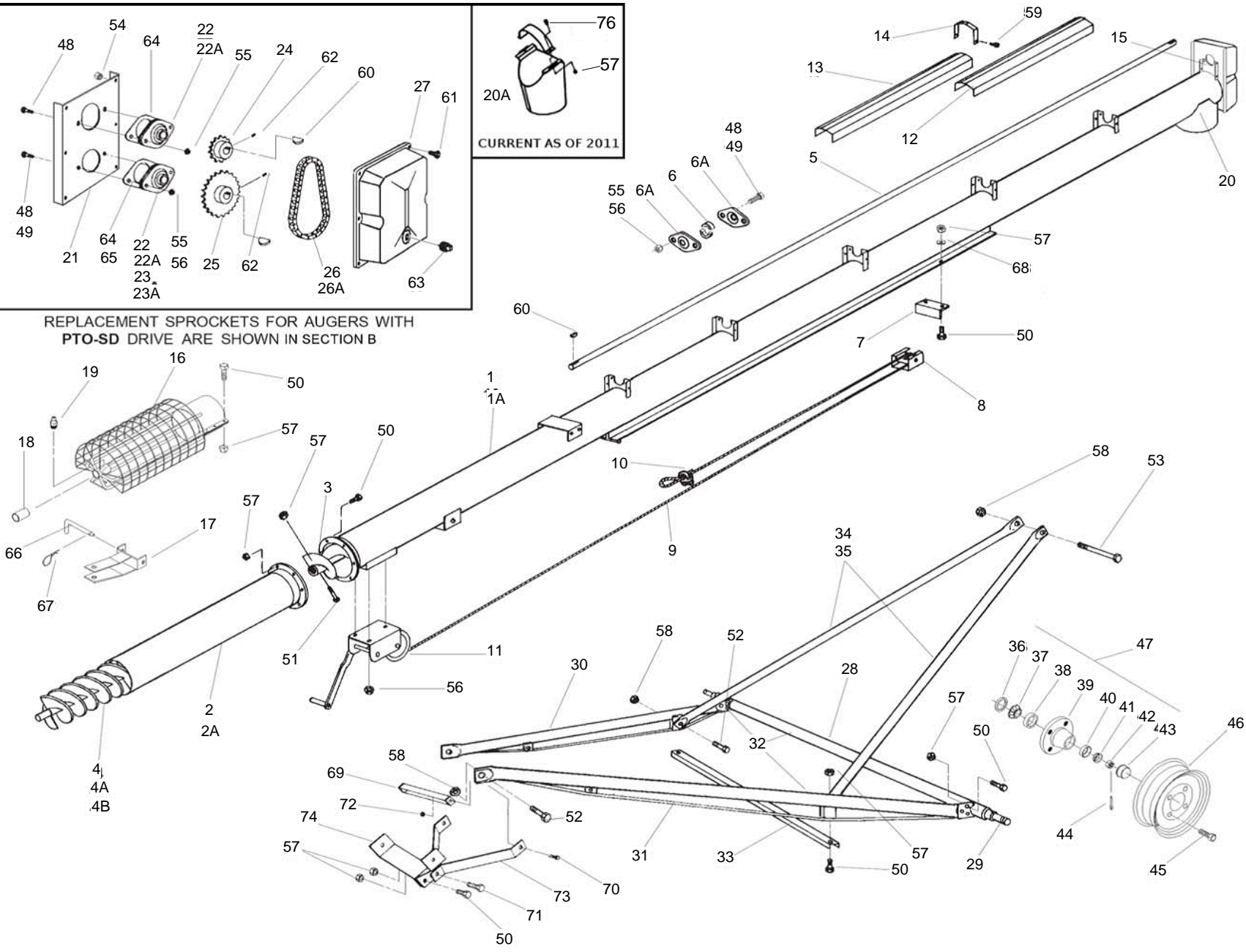


WR80 26 BASIC AUGER

ITEM	PART NO.	DESCRIPTION
43	10-19273	Wheel bolt, 1/2" - 20
44	10-19261	15" Wheel, 4 bolt
45	10-19467	Hub assembly, complete
46	10-19538	Bolt, 5/16" - 18 x 3/4", grade 2
47	10-19540	Bolt, 3/8" - 16 x 3/4", grade 2
48	10-19542	Bolt, 7/16" - 14 x 1", grade 5
49	10-19590	Bolt, 5/8" - 11 x 1-1/2", grade 5
50	10-19591	Bolt, 5/8" - 11 x 6-1/2", grade 5
51	10-19594	Washer locknut, 1/4" - 20
52	10-19595	Washer locknut, 5/16" - 18
53	10-19596	Washer locknut, 3/8" - 16
54	10-19598	Locknut, 7/16" - 14
55	10-19600	Locknut, 5/8" - 11
56	10-19274	self-tapping screw, #14 x 5/8", w/washerhead
57	10-19224	Woodruff key, 1/4" x 1"
58	10-17179	3/8" Plug
59	10-19225	Setscrew, 3/8" - 16 x 3/8"
60	10-17167	Gasket for 1" flangette bearing
61	10-17168	Gasket for 1-1/4" flangette bearing
62	10-17181	Clevis pin
63	10-17383	Grip clip
64	10-17182	Track washer, 7/16"
65	10-19988	Bolt, 1/4" - 20 x 1", grade 2
66	10-19536	short crossmember
67	10-19589	bolt, 1/2" - 13 x 1-1/2", grade 5
68	10-19981	bolt, 7/16" - 14 x 1-3/4", grade 5
69	10-19599	locknut, 1/2" -13
70	10-18916	stabilizer brace
71	10-18909	stabilizer bracket
72	10-19682	Basic carton
73	10-18698	7/16" x 1-1/4" NC Bolt Gr8 Pltd

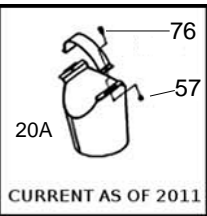
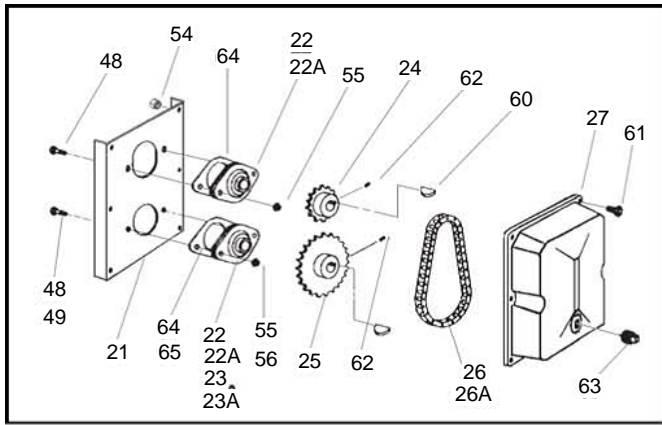


REPLACEMENT SPROCKETS FOR AUGERS WITH PTO-SD DRIVE ARE SHOWN IN SECTION B



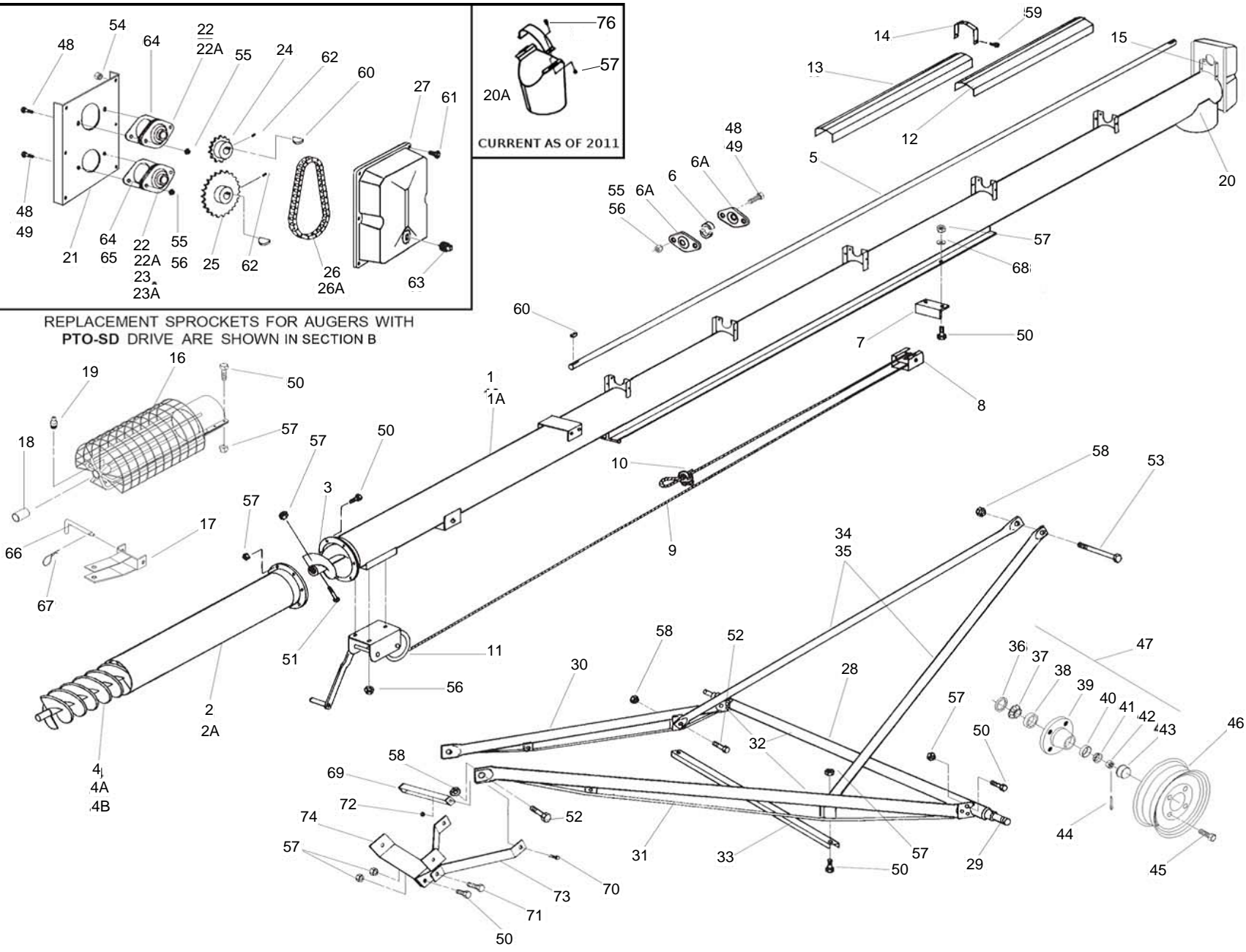
WR60 31 BASIC AUGER

ITEM	PART NO.	DESCRIPTION
1	10-19031	Upper tube section w/driveshaft, housing, track
1A	10-19057	Upper tube bundle, as shipped
2	10-19007	Lower tube section
2A	10-19060	Lower tube bundle, as shipped
3	10-19006	Upper flight section
4	10-19010	Lower flight section
4A	10-19083	20" Weld-on crimped intake flight
4B	10-17532	Slip on intake flight (1998 & later)
5	10-19203	Driveshaft, 18' 5-3/4" long
6	10-18692	1" split hardwood bearing, set of 2 halves
6A	10-18694	1" bearing flange, single, 2 bolt
7	10-18762	Angle track stop
8	10-18763	Roller track shoe
9	10-19246	1/4" cable, 24' long
10	10-19147	1/4" cable clamp
11	10-19151	Winch, 4:1 ratio
12	10-19254	Driveshaft shield, 42" long
13	10-19255	Driveshaft shield, 48" long
14	10-19256	Shield tie-down strap
15	10-19257	Upper shield attach bracket
16	10-19019	Intake hitch w/shield, bushing, grease fittings
17	10-17123	Clevis, less pin
18	10-19149	1" Bushing
19	10-19222	Press-in grease fitting
20	10-19020	Weld-on outlet spout
21	10-17170	Upper drive housing
22	10-19321	1" Flangette bearing, 2 bolt w/flanges
22A	10-18817	1" Bearing, less flanges
24	10-19131	Upper sprocket, 14 tooth
25	10-19132	Lower sprocket, 25 tooth
26	10-19015	Roller chain w/connector
26A	10-19134	Roller chain connector only
27	10-17157	Housing cover
28	10-19336	Axle w/spindles, nuts, cotter pins
29	10-19262	Spindle, weld-on
30	10-19346	Lower reach tube, left
31	10-19347	Lower reach tube, right
32	10-19363	Lower reach frame bundle, as shipped
33	10-19372	crossmember
34	10-19381	Upper lift tube, left or right, single
35	10-19527	Upper lift bundle, as shipped, includes Ref. #33
36	10-19264	Seal
37	10-19265	Large bearing, Timken #LM 67048
38	10-19266	Large cup, Timken #LM 67010
39	10-19267	Hub w/cups
40	10-19268	Small cup, Timken #LM 11910
41	10-19269	Small bearing, Timken #LM 11949
42	10-19270	Slotted nut, 3/4" - 16
43	10-19272	Dust cap
44	10-19271	Cotter pin, 1/8" x 1-1/2"



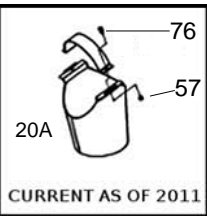
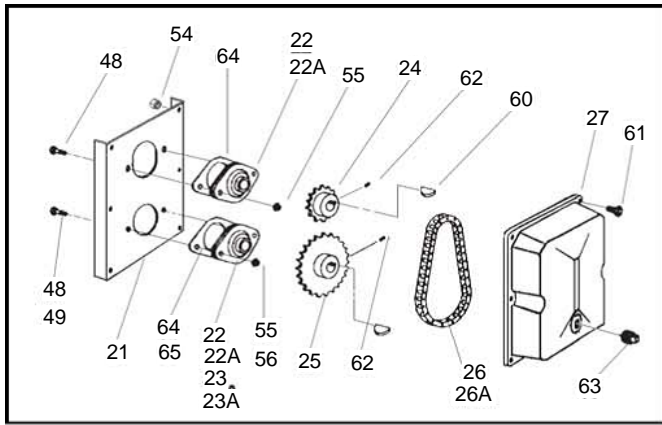
CURRENT AS OF 2011

REPLACEMENT SPROCKETS FOR AUGERS WITH PTO-SD DRIVE ARE SHOWN IN SECTION B



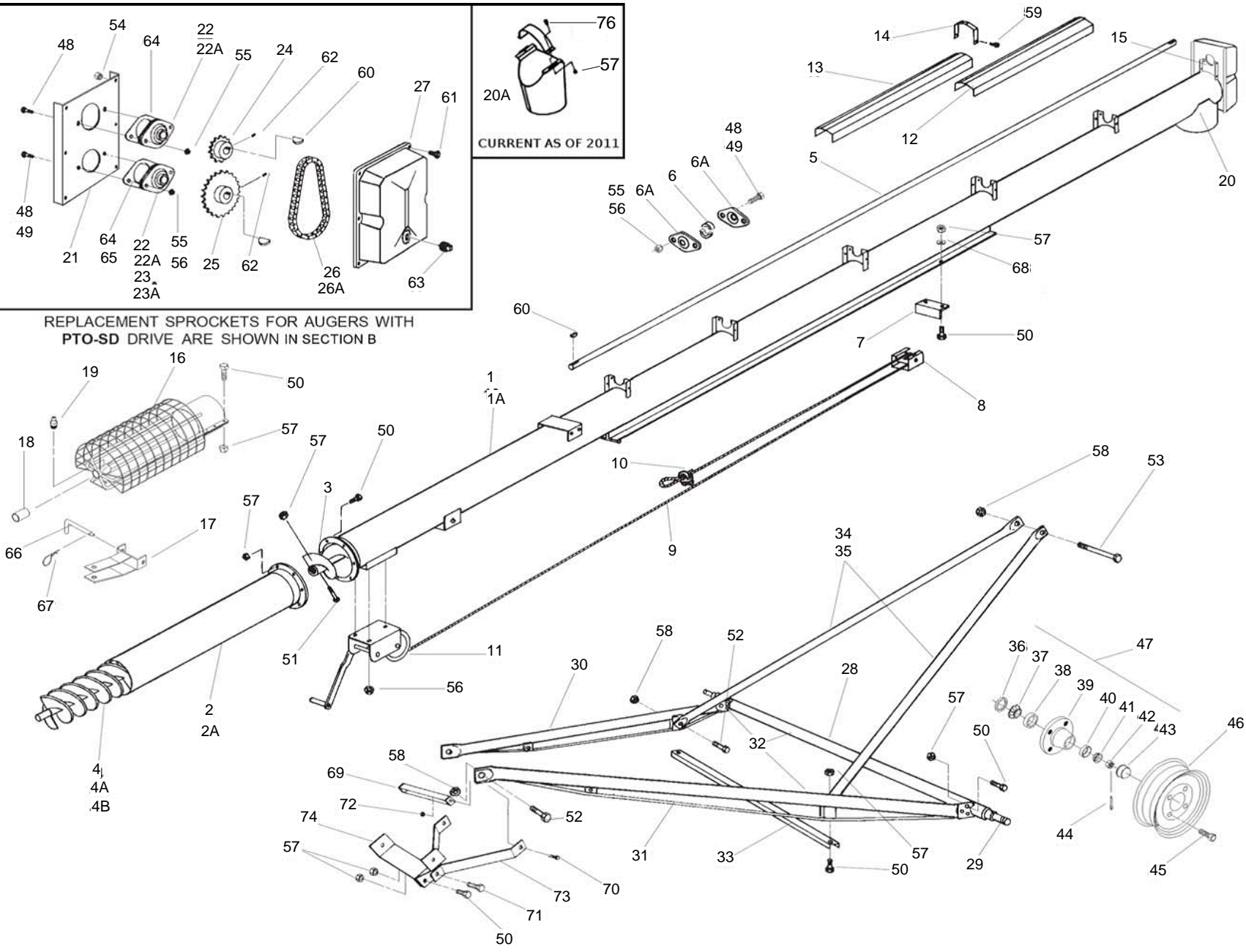
WR60 31 BASIC AUGER

ITEM	PART NO.	DESCRIPTION
45	10-19273	Wheel bolt, 1/2" - 20 x 1"
46	10-19261	15" Wheel, 4 bolt
47	10-19467	Hub assembly, complete
48	10-19538	Bolt, 5/16" - 18 x 3/4", grade 2
50	10-19542	Bolt, 7/16" - 14 x 1", grade 5
52	10-19590	Bolt, 5/8" - 11 x 1-1/2", grade 5
53	10-19591	Bolt, 5/8" - 11 x 6-1/2", grade 5
54	10-19594	Washer locknut, 1/4" - 20
55	10-19595	Washer locknut, 5/16" - 18
56	10-19596	Washer locknut, 3/8" - 16
57	10-19598	Locknut, 7/16" - 14
58	10-19600	Locknut, 5/8" - 11
59	10-19274	self-tapping screw, #14 x 5/8", w/washerhead
60	10-19224	Woodruff key, 1/4" x 1"
61	10-19988	Bolt, 1/4" - 20 x 1", grade 2
62	10-19225	Setscrew, 3/8" - 16 x 3/8"
63	10-17179	3/8" Plug
64	10-17167	Gasket for 1" flangette bearing
66	10-17181	Clevis pin
67	10-17383	Grip clip
68	10-17182	Track washer, 7/16"
75	10-19677	Basic carton
76	10-18698	7/16" x 1-1/4" NC Bolt Gr8 Pltd



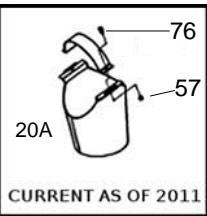
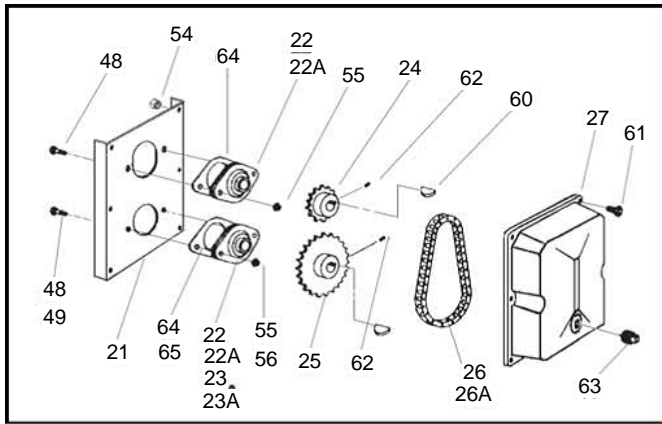
CURRENT AS OF 2011

REPLACEMENT SPROCKETS FOR AUGERS WITH PTO-SD DRIVE ARE SHOWN IN SECTION B



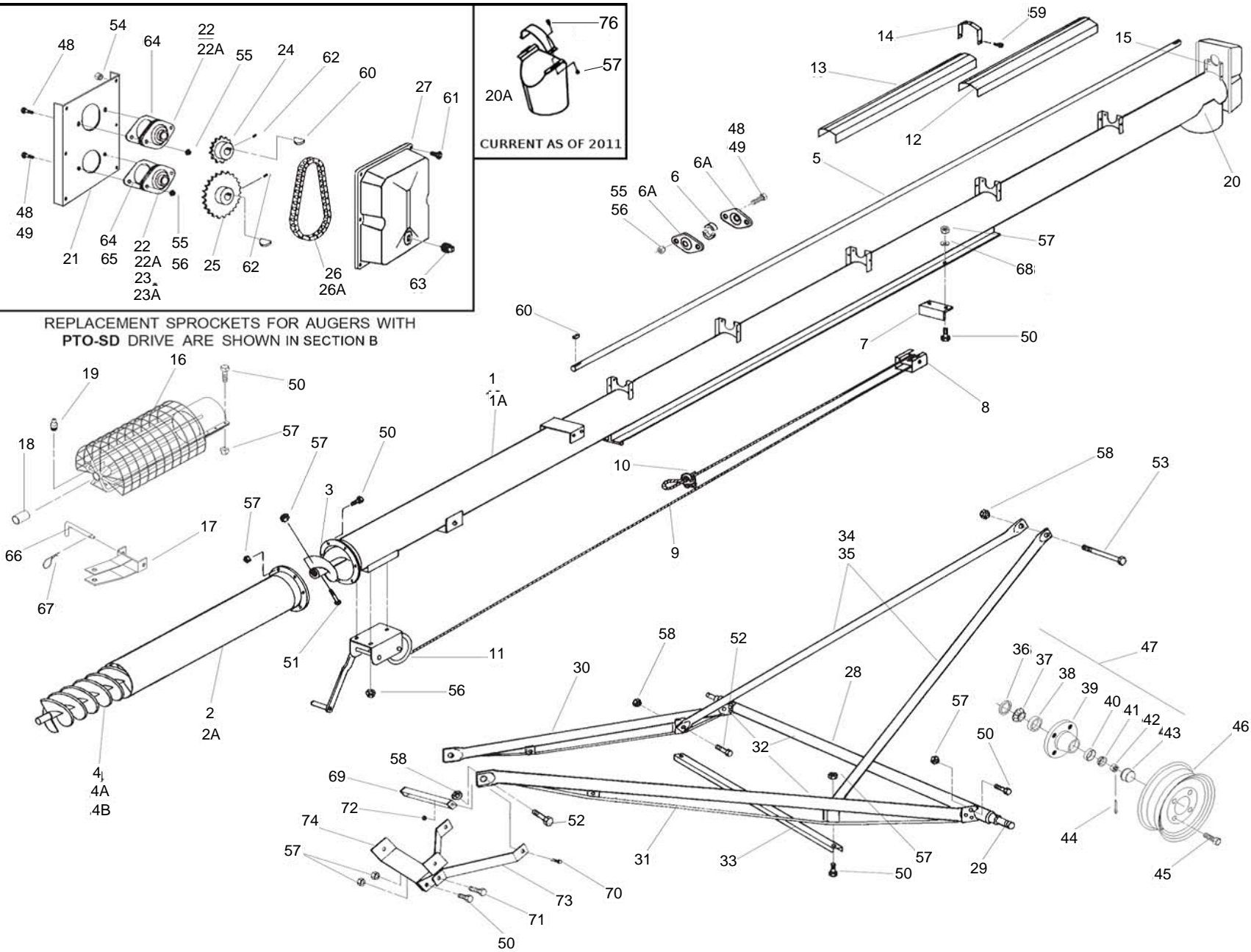
WR70 31 BASIC AUGER

ITEM	PART NO.	DESCRIPTION
1	10-19032	Upper tube section w/driveshaft, housing, track
1A	10-19058	Upper tube bundle, as shipped
2	10-19106	Lower tube section
2A	10-19061	Lower tube bundle, as shipped
3	10-19105	Upper flight section
4	10-19111	Lower flight section
4A	10-19084	20" Weld-on crimped intake flight
4B	10-17533	Slip on intake flight (1998 & later)
5	10-19203	Driveshaft, 18' 5-3/4" long
6	10-18692	1" split hardwood bearing, set of 2 halves
6A	10-18694	1" bearing flange, single, 2 bolt
7	10-18762	Angle track stop
8	10-18763	Roller track shoe
9	10-19246	1/4" cable, 24' long
10	10-19147	1/4" cable clamp
11	10-19151	Winch, 4:1 ratio
12	10-19254	Driveshaft shield, 42" long
13	10-19255	Driveshaft shield, 48" long
14	10-19256	Shield tie-down strap
15	10-19257	Upper shield attach bracket
16	10-19192	Intake hitch w/shield, bushing, grease fittings
17	10-17123	Clevis, less pin
18	10-19149	1" Bushing
19	10-19222	Press-in grease fitting
20	10-17155	Weld-on outlet spout
21	10-17171	Upper drive housing
22	10-19321	1" Flangette bearing, 2 bolt w/flanges
22A	10-18817	1" Bearing, less flanges
24	10-19131	Upper sprocket, 14 tooth
25	10-19132	Lower sprocket, 25 tooth
26	10-19133	Roller chain w/connector
26A	10-19134	Roller chain connector only
27	10-17157	Housing cover
28	10-19336	Axle w/spindles, nuts, cotter pins
29	10-19262	Spindle, weld-on
30	10-19346	Lower reach tube, left
31	10-19347	Lower reach tube, right
32	10-19363	Lower reach frame bundle, as shipped
33	10-19372	crossmember
34	10-19381	Upper lift tube, left or right, single
35	10-19527	Upper lift bundle, as shipped, includes Ref. #33
36	10-19264	Seal
37	10-19265	Large bearing, Timken #LM 67048
38	10-19266	Large cup, Timken #LM 67010
39	10-19267	Hub w/cups
40	10-19268	Small cup, Timken #LM 11910
41	10-19269	Small bearing, Timken #LM 11949
42	10-19270	Slotted nut, 3/4" - 16
43	10-19272	Dust cap
44	10-19271	Cotter pin, 1/8" x 1-1/2"



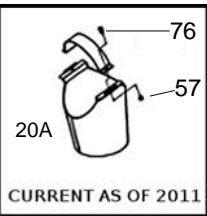
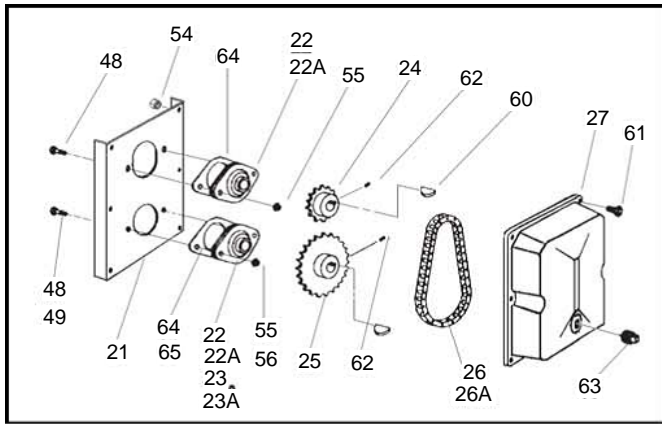
CURRENT AS OF 2011

REPLACEMENT SPROCKETS FOR AUGERS WITH PTO-SD DRIVE ARE SHOWN IN SECTION B

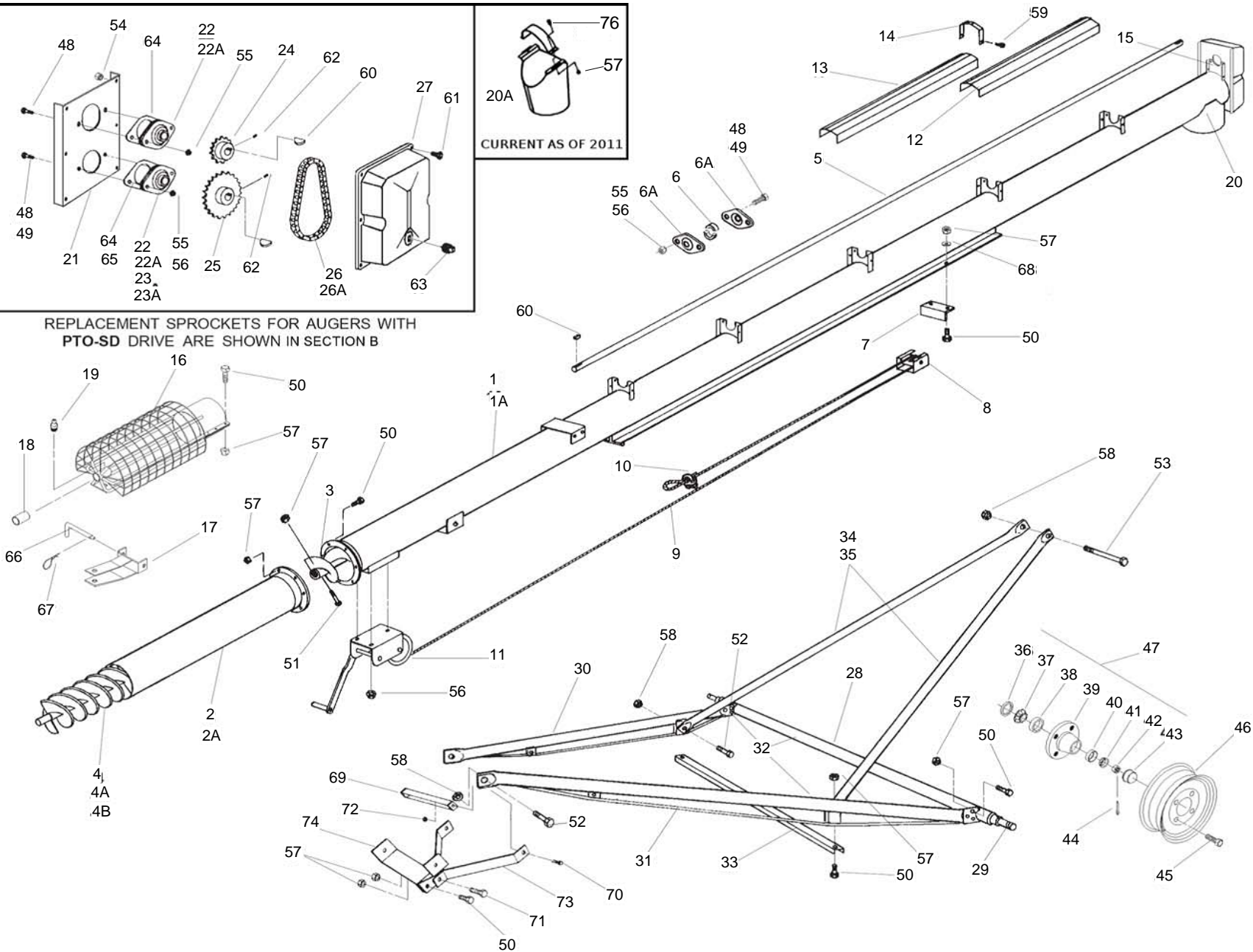


WR70 31 BASIC AUGER

ITEM	PART NO.	DESCRIPTION
45	10-19273	Wheel bolt, 1/2" - 20 x 1"
46	10-19261	15" Wheel, 4 bolt
47	10-19467	Hub assembly, complete
48	10-19538	Bolt, 5/16" - 18 x 3/4", grade 2
50	10-19542	Bolt, 7/16" - 14 x 1", grade 5
52	10-19590	Bolt, 5/8" - 11 x 1-1/2", grade 5
53	10-19591	Bolt, 5/8" - 11 x 6-1/2", grade 5
54	10-19594	Washer locknut, 1/4" - 20
55	10-19595	Washer locknut, 5/16" - 18
56	10-19596	Washer locknut, 3/8" - 16
57	10-19598	Locknut, 7/16" - 14
58	10-19600	Locknut, 5/8" - 11
59	10-19274	self-tapping screw, #14 x 5/8", w/washerhead
60	10-19224	Woodruff key, 1/4" x 1"
61	10-19988	Bolt, 1/4" - 20 x 1", grade 2
62	10-19225	Setscrew, 3/8" - 16 x 3/8"
63	10-17179	3/8" Plug
64	10-17167	Gasket for 1" flangette bearing
66	10-17181	Clevis pin
67	10-17383	Grip clip
68	10-17182	Track washer, 7/16"
75	10-17772	Basic carton
76	10-18698	7/16" x 1-1/4" NC Bolt Gr8 Pltd

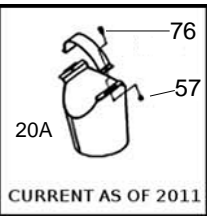
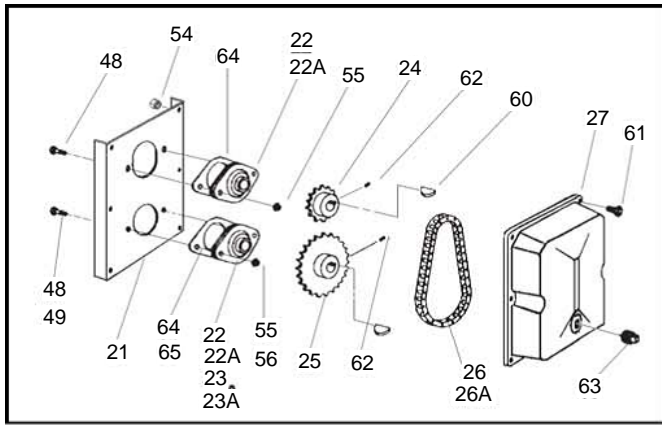


REPLACEMENT SPROCKETS FOR AUGERS WITH PTO-SD DRIVE ARE SHOWN IN SECTION B



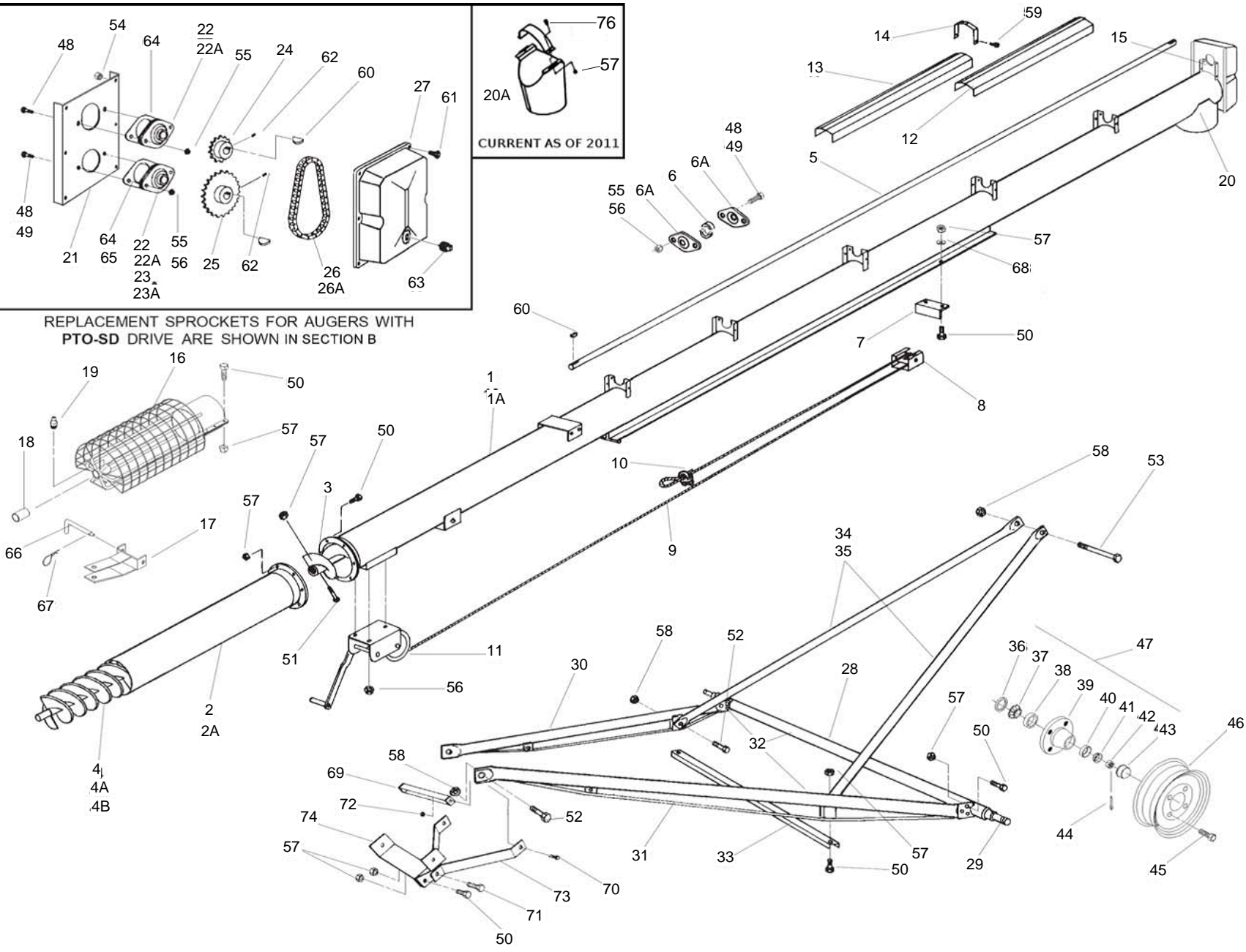
WR80 31 BASIC AUGER

ITEM	PART NO.	DESCRIPTION
1	10-19033	Upper tube section w/driveshaft, housing, track
1A	10-19059	Upper tube bundle, as shipped
2	10-19390	Lower tube section
2A	10-19062	Lower tube bundle, as shipped
3	10-19402	Upper flight section
4	10-19393	Lower flight section
4A	10-19085	20" Weld-on crimped intake flight
4B	10-17534	Slip on intake flight (1998 & later)
5	10-19204	Driveshaft, 18' 6-1/4" long
6	10-18693	1-1/4" split hardwood bearing, set of 2 halves
6A	10-18695	1-1/4" bearing flange, single, 2 bolt
7	10-18762	Angle track stop
8	10-18763	Roller track shoe
9	10-19246	1/4" cable, 24' long
10	10-19147	1/4" cable clamp
11	10-19151	Winch, 4:1 ratio
12	10-19254	Driveshaft shield, 42" long
13	10-19255	Driveshaft shield, 48" long
14	10-19256	Shield tie-down strap
15	10-19257	Upper shield attach bracket
16	10-19398	Intake hitch w/shield, bushing, grease fittings
17	10-17123	Clevis, less pin
18	10-19149	1" Bushing
19	10-19222	Press-in grease fitting
20	10-17156	Weld-on outlet spout
20A	10-29306	Strap-on outlet spout
21	10-17172	Upper drive housing
22	10-19321	1" Flangette bearing, 2 bolt w/flanges
22A	10-18817	1" Bearing, less flanges
23	10-19322	1-1/4" Flangette bearing, 2 bolt w/flanges
23A	10-18853	1-1/4" Bearing, less flanges
24	10-19430	Upper sprocket, 14 tooth
25	10-19431	Lower sprocket, 25 tooth
26	10-19432	Roller chain w/connector
26A	10-19433	Roller chain connector only
27	10-17158	Housing cover
28	10-19336	Axle w/spindles, nuts, cotter pins
29	10-19262	Spindle, weld-on
30	10-19346	Lower reach tube, left
31	10-19347	Lower reach tube, right
32	10-19363	Lower reach frame bundle, as shipped
33	10-19372	crossmember
34	10-19381	Upper lift tube, left or right, single
35	10-19527	Upper lift bundle, as shipped, includes Ref. #33
36	10-19264	Seal
37	10-19265	Large bearing, Timken #LM 67048
38	10-19266	Large cup, Timken #LM 67010
39	10-19267	Hub w/cups
40	10-19268	Small cup, Timken #LM 11910
41	10-19269	Small bearing, Timken #LM 11949



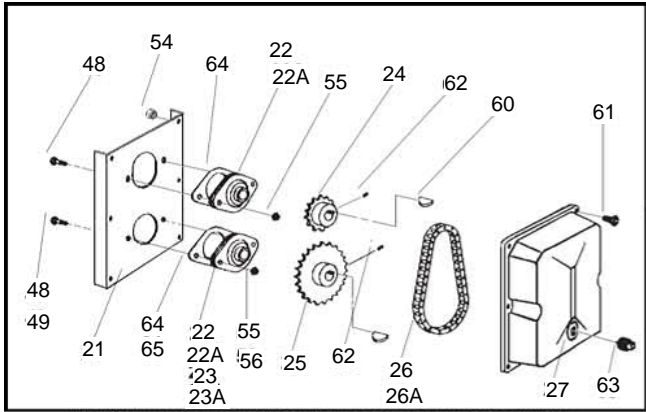
CURRENT AS OF 2011

REPLACEMENT SPROCKETS FOR AUGERS WITH PTO-SD DRIVE ARE SHOWN IN SECTION B

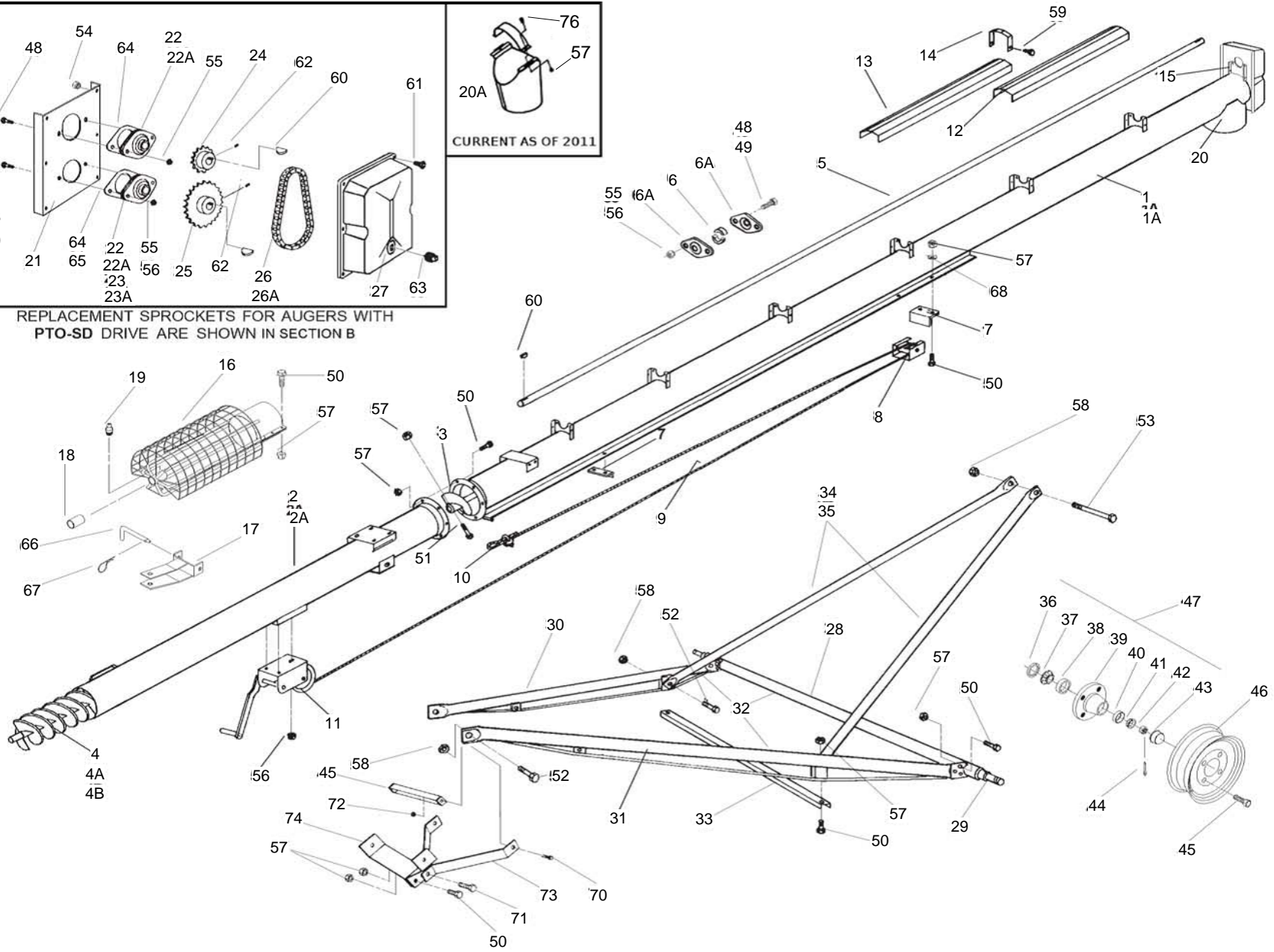
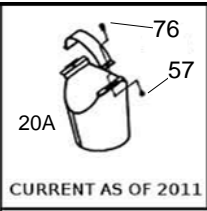


WR80 31 BASIC AUGER

ITEM	PART NO.	DESCRIPTION
42	10-19270	Slotted nut, 3/4" - 16
43	10-19272	Dust cap
44	10-19271	Cotter pin, 1/8" x 1-1/2"
45	10-19273	Wheel bolt, 1/2" - 20 x 1"
46	10-19261	15" Wheel, 4 bolt
47	10-19467	Hub assembly, complete
48	10-19538	Bolt, 5/16" - 18 x 3/4", grade 2
49	10-19540	Bolt, 3/8" - 16 x 3/4", grade 2
50	10-19542	Bolt, 7/16" - 14 x 1", grade 5
51	10-19545	Bolt, 7/16" - 14 x 2-1/4", grade 8
52	10-19590	Bolt, 5/8" - 11 x 1-1/2", grade 5
53	10-19591	Bolt, 5/8" - 11 x 6-1/2", grade 5
54	10-19594	Washer locknut, 1/4" - 20
55	10-19595	Washer locknut, 5/16" - 18
56	10-19596	Washer locknut, 3/8" - 16
57	10-19598	Locknut, 7/16" - 14
58	10-19600	Locknut, 5/8" - 11
59	10-19274	self-tapping screw, #14 x 5/8", w/washerhead
60	10-19224	Woodruff key, 1/4" x 1"
61	10-19988	Bolt, 1/4" - 20 x 1", grade 2
62	10-19225	Setscrew, 3/8" - 16 x 3/8"
63	10-17179	3/8" Plug
64	10-17167	Gasket for 1" flangette bearing
65	10-17168	Gasket for 1-1/4" flangette bearing
66	10-17181	Clevis pin
67	10-17383	Grip clip
68	10-17182	Track washer, 7/16"
69	10-19536	short crossmember
70	10-19589	BOLT, 1/2" - 13 X 1-1/2", GRADE 5
71	10-19981	BOLT, 7/16" - 14 X 1-3/4", GRADE 5
72	10-19599	LOCKNUT, 1/2" - 13
73	10-18916	STABILIZER BRACE
74	10-18909	STABILIZER BRACKET
75	10-19683	Basic carton
76	10-18698	7/16" x 1-1/4" NC Bolt Gr8 Pltd

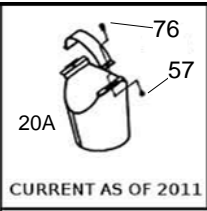
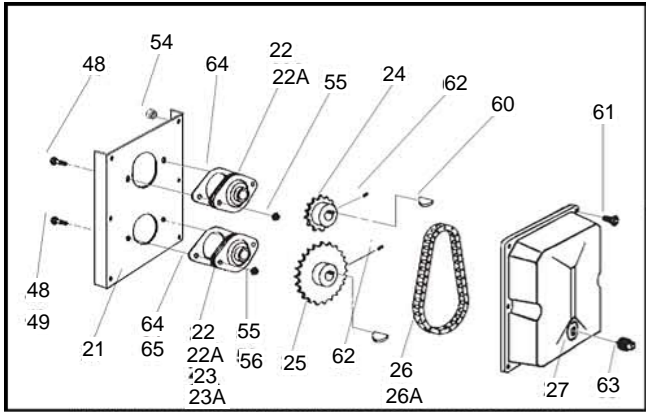


REPLACEMENT SPROCKETS FOR AUGERS WITH PTO-SD DRIVE ARE SHOWN IN SECTION B

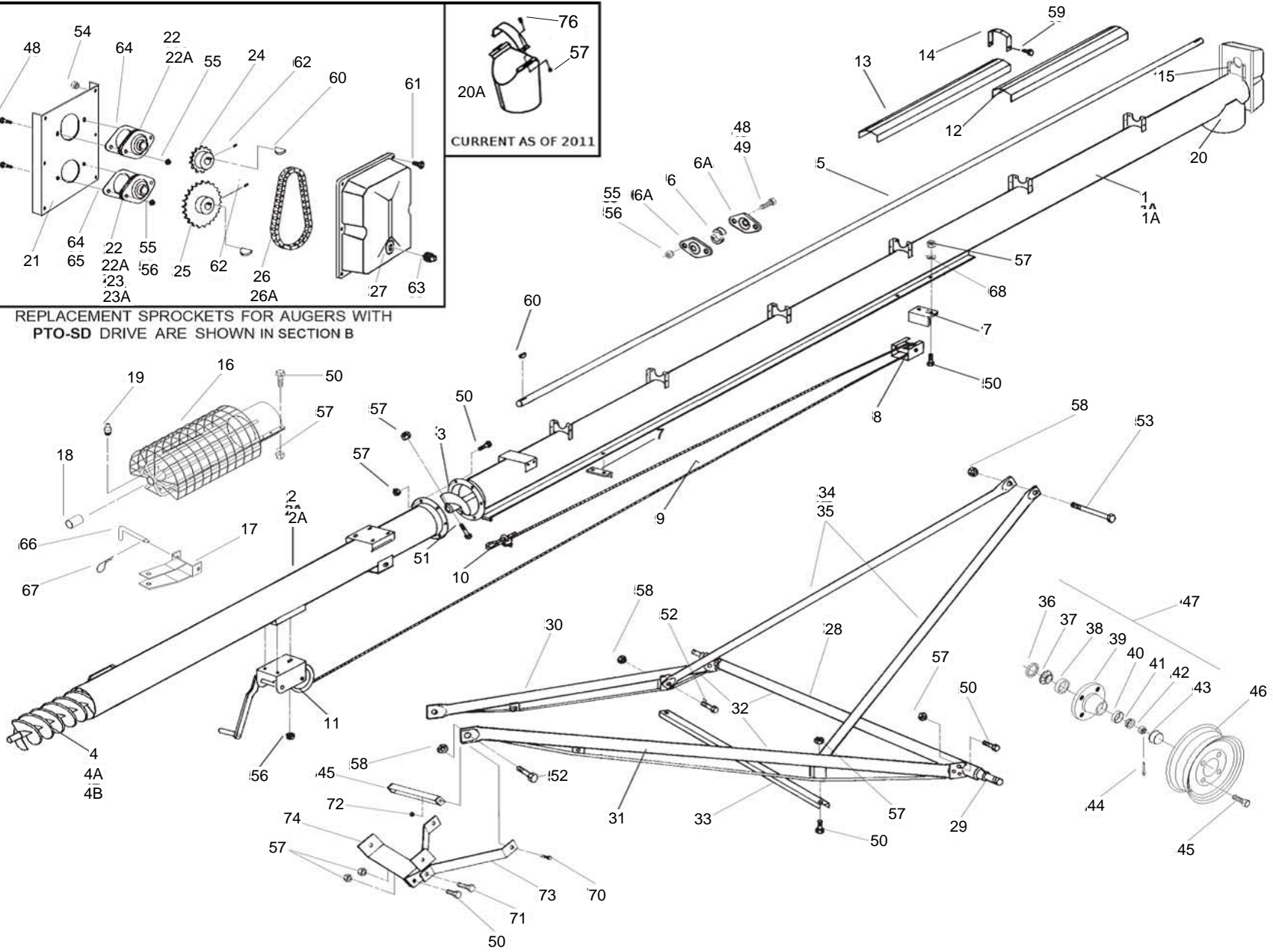


WR60 36 BASIC AUGER

ITEM	PART NO.	DESCRIPTION
1	10-19034	Upper tube section w/driveshaft, housing, track
1A	10-19063	Upper tube bundle, as shipped
2	10-19037	Lower tube section
2A	10-19066	Lower tube bundle, as shipped
3	10-19006	Upper flight section
4	10-19011	Lower flight section
4A	10-19083	20" Weld-on crimped intake flight
4B	10-17532	Slip on intake flight (1998 & later)
5	10-19205	Driveshaft, 22' 3" long
6	10-18692	1" split hardwood bearing, set of 2 halves
6A	10-18694	1" bearing flange, single, 2 bolt
7	10-18762	Angle track stop
8	10-18763	Roller track shoe
9	10-19248	1/4" Cable, 34' 6" long
10	10-19147	1/4" cable clamp
11	10-19151	Winch
12	10-19254	Driveshaft shield, 42" long
13	10-19255	Driveshaft shield, 48" long
14	10-19256	Shield tie-down strap
15	10-19257	Upper shield attach bracket
16	10-19019	Intake hitch w/shield, bushing, grease fitting
17	10-17123	Clevis, less pin
18	10-19149	1" Bushing
19	10-19222	Press-in grease fitting
20	10-19020	Weld-on outlet spout
21	10-17170	Upper drive housing
22	10-19321	1" Flangette bearing, 2 bolt w/flanges
22A	10-18817	1" Bearing, less flanges
24	10-19131	Upper sprocket, 14 tooth
25	10-19132	Lower sprocket, 25 tooth
26	10-19015	Roller chain w/connector
26A	10-19134	Roller chain connector only
27	10-17157	Housing cover
28	10-19337	Axle w/spindles, nuts, cotter pins
29	10-19262	Spindle, weld-on
30	10-19348	Lower reach tube, left
31	10-19349	Lower reach tube, right
32	10-19364	Lower reach frame bundle, as shipped
33	10-19373	crossmember
34	10-19382	Upper lift tube, left or right, single
35	10-19528	Upper lift bundle, as shipped, includes Ref.#33
36	10-19264	Seal
37	10-19265	Large bearing, Timken #LM 67048
38	10-19266	Large cup, Timken #LM 67010
39	10-19267	Hub w/cups
40	10-19268	Small cup, Timken #LM 11910
41	10-19269	Small bearing, Timken #LM 11949
42	10-19270	Slotted nut, 3/4" - 16
43	10-19272	Dust cap
44	10-19271	1/8" x 1-1/2" Cotter pin

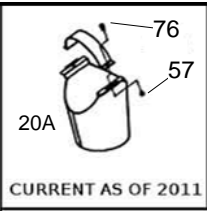
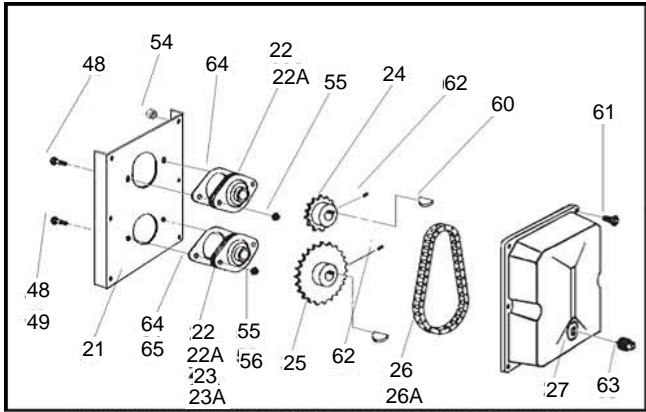


REPLACEMENT SPROCKETS FOR AUGERS WITH PTO-SD DRIVE ARE SHOWN IN SECTION B

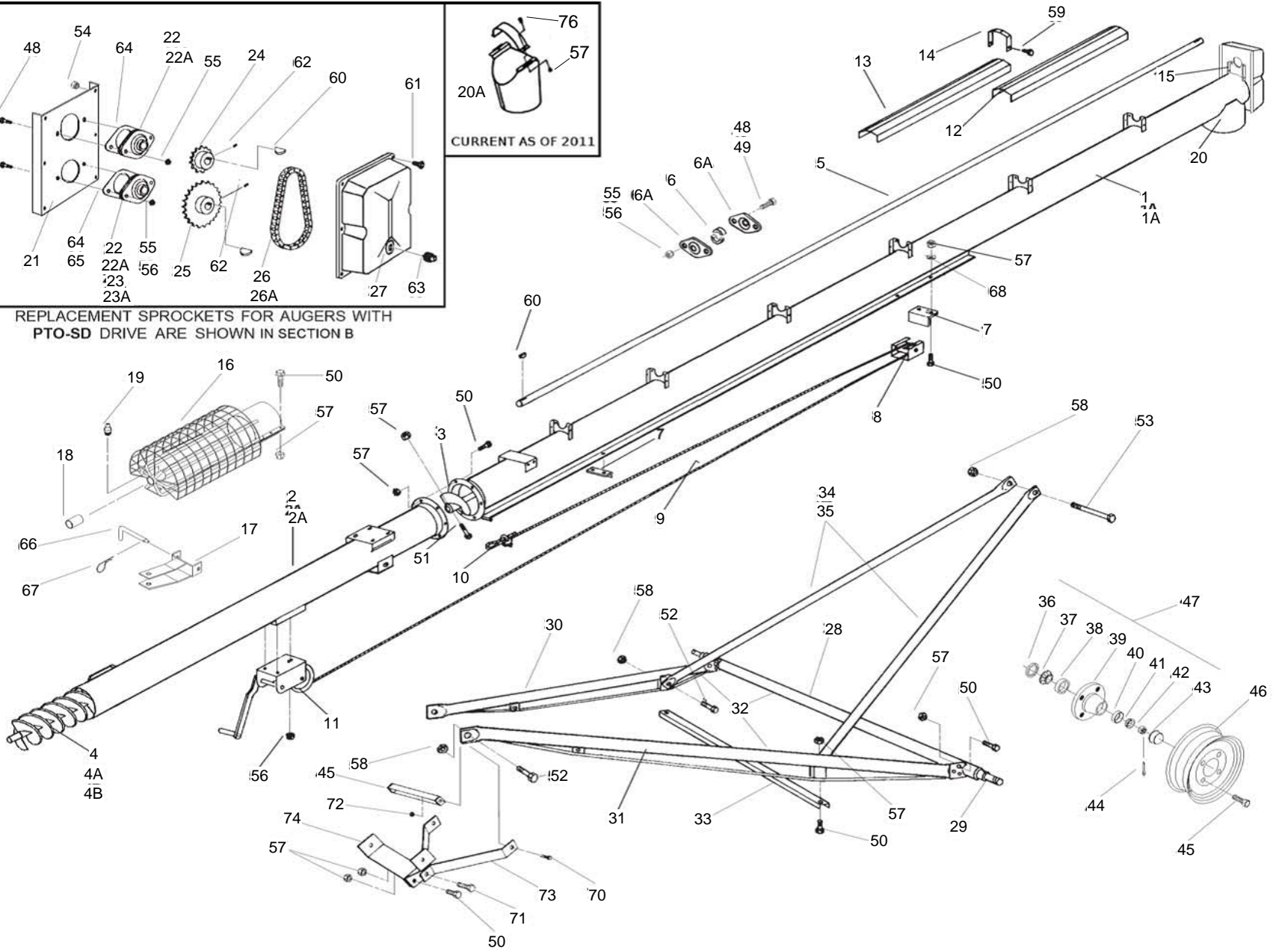


WR60 36 BASIC AUGER

ITEM	PART NO.	DESCRIPTION
45	10-19273	Wheel bolt, 1/2" - 20 x 1"
46	10-19261	15" Wheel, 4 bolt
47	10-19467	Hub assembly, complete
48	10-19538	Bolt, 5/16" - 18 x 3/4", grade 2
50	10-19542	Bolt, 7/16" - 14 x 1", grade 5
52	10-19590	Bolt, 5/8" - 11 x 1-1/2", grade 5
53	10-19591	Bolt, 5/8" - 11 x 6-1/2", grade 5
54	10-19594	Washer locknut, 1/4" - 20
55	10-19595	Washer locknut, 5/16" - 18
56	10-19596	Washer locknut, 3/8" - 16
57	10-19598	Locknut, 7/16" - 14
58	10-19600	Locknut, 5/8" - 11
59	10-19274	self-tapping screw, #14 x 5/8" w/washerhead
60	10-19224	Woodruff key, 1/4" x 1"
61	10-19988	Bolt, 1/4" - 20 x 1", grade 2
62	10-19225	Setscrew, 3/8" - 16 x 3/8"
63	10-17179	3/8" Plug
64	10-17167	Gasket for 1" flangette bearing
66	10-17181	Clevis pin
67	10-17383	Grip clip
68	10-17182	Track washer, 7/16"
75	10-19678	Basic carton
76	10-18698	7/16" x 1-1/4" NC Bolt Gr8 Pltd

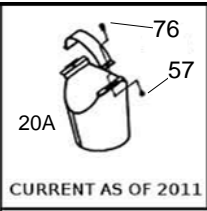
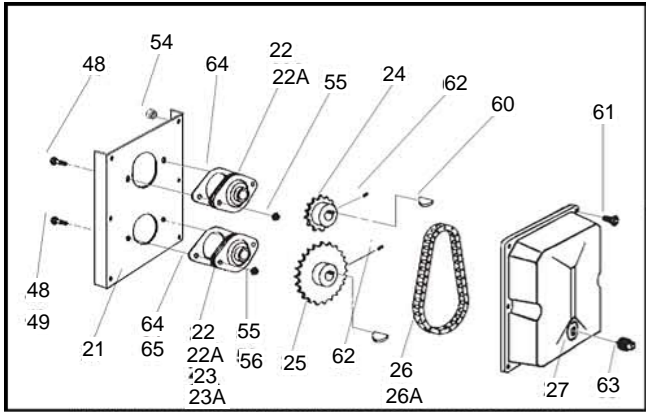


REPLACEMENT SPROCKETS FOR AUGERS WITH PTO-SD DRIVE ARE SHOWN IN SECTION B

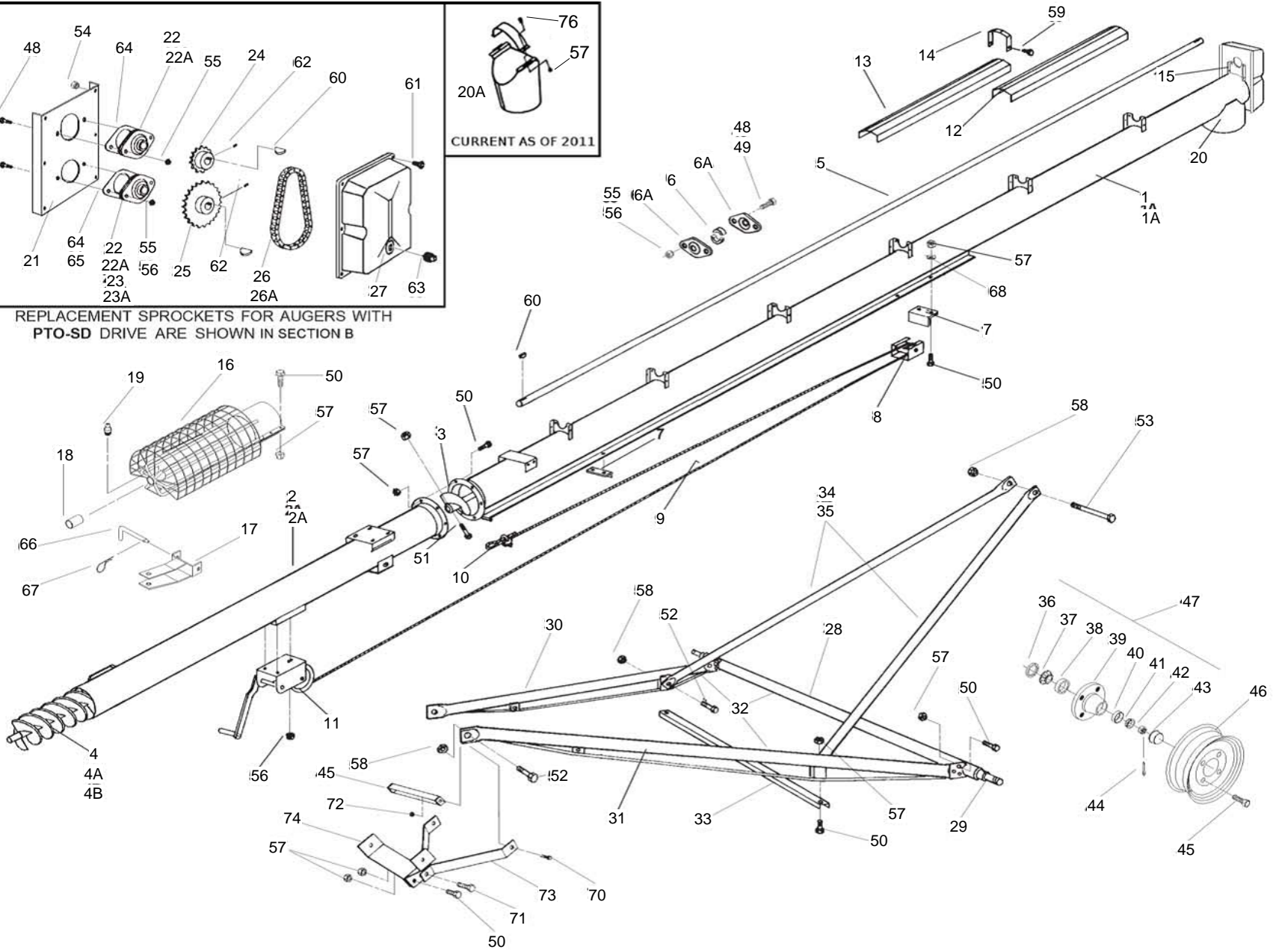


WR70 36 BASIC AUGER

ITEM	PART NO.	DESCRIPTION
1	10-19035	Upper tube section w/driveshaft, housing, track
1A	10-19064	Upper tube bundle, as shipped
2	10-19038	Lower tube section
2A	10-19067	Lower tube bundle, as shipped
3	10-19105	Upper flight section
4	10-19112	Lower flight section
4A	10-19084	20" Weld-on crimped intake flight
4B	10-17533	Slip on intake flight (1998 & later)
5	10-19205	Driveshaft, 22' 3" long
6	10-18692	1" split hardwood bearing, set of 2 halves
6A	10-18694	1" bearing flange, single, 2 bolt
7	10-18762	Angle track stop
8	10-18763	Roller track shoe
9	10-19248	1/4" Cable, 34' 6" long
10	10-19147	1/4" cable clamp
11	10-19151	Winch
12	10-19254	Driveshaft shield, 42" long
13	10-19255	Driveshaft shield, 48" long
14	10-19256	Shield tie-down strap
15	10-19257	Upper shield attach bracket
16	10-19192	Intake hitch w/shield, bushing, grease fitting
17	10-17123	Clevis, less pin
18	10-19149	1" Bushing
19	10-19222	Press-in grease fitting
20	10-17155	Weld-on outlet spout
21	10-17171	Upper drive housing
22	10-19321	1" Flangette bearing, 2 bolt w/flanges
22A	10-18817	1" Bearing, less flanges
24	10-19131	Upper sprocket, 14 tooth
25	10-19132	Lower sprocket, 25 tooth
26	10-19133	Roller chain w/connector
26A	10-19134	Roller chain connector only
27	10-17157	Housing cover
28	10-19337	Axle w/spindles, nuts, cotter pins
29	10-19262	Spindle, weld-on
30	10-19348	Lower reach tube, left
31	10-19349	Lower reach tube, right
32	10-19364	Lower reach frame bundle, as shipped
33	10-19373	crossmember
34	10-19382	Upper lift tube, left or right, single
35	10-19528	Upper lift bundle, as shipped, includes Ref.#33
36	10-19264	Seal
37	10-19265	Large bearing, Timken #LM 67048
38	10-19266	Large cup, Timken #LM 67010
39	10-19267	Hub w/cups
40	10-19268	Small cup, Timken #LM 11910
41	10-19269	Small bearing, Timken #LM 11949
42	10-19270	Slotted nut, 3/4" - 16
43	10-19272	Dust cap
44	10-19271	1/8" x 1-1/2" Cotter pin

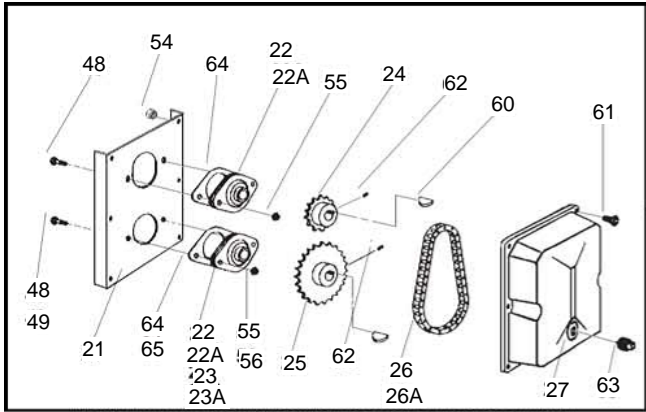


REPLACEMENT SPROCKETS FOR AUGERS WITH PTO-SD DRIVE ARE SHOWN IN SECTION B

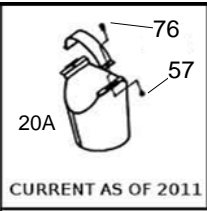


WR70 36 BASIC AUGER

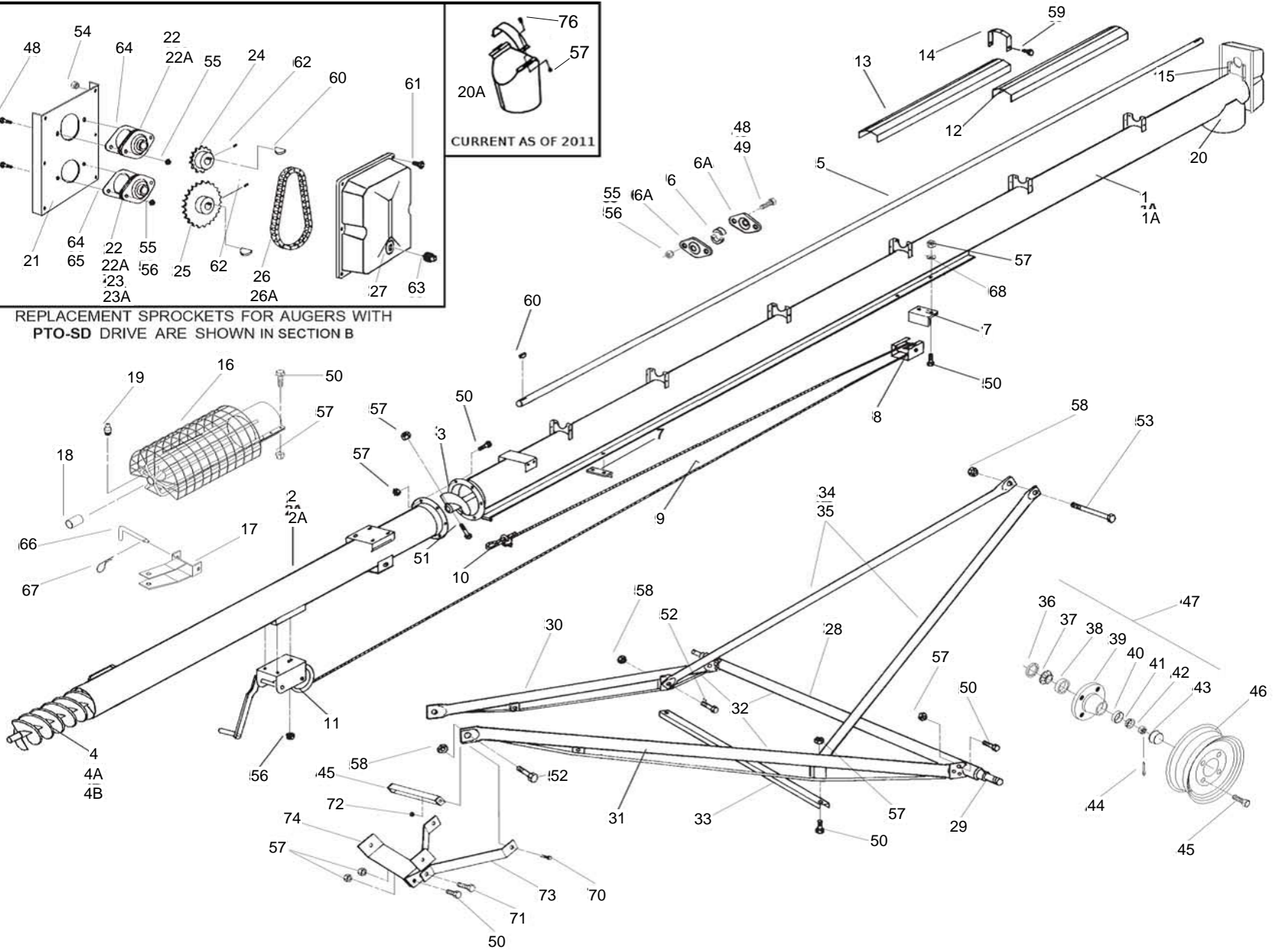
ITEM	PART NO.	DESCRIPTION
45	10-19273	Wheel bolt, 1/2" - 20 x 1"
46	10-19261	15" Wheel, 4 bolt
47	10-19467	Hub assembly, complete
48	10-19538	Bolt, 5/16" - 18 x 3/4", grade 2
50	10-19542	Bolt, 7/16" - 14 x 1", grade 5
52	10-19590	Bolt, 5/8" - 11 x 1-1/2", grade 5
53	10-19591	Bolt, 5/8" - 11 x 6-1/2", grade 5
54	10-19594	Washer locknut, 1/4" - 20
55	10-19595	Washer locknut, 5/16" - 18
56	10-19596	Washer locknut, 3/8" - 16
57	10-19598	Locknut, 7/16" - 14
58	10-19600	Locknut, 5/8" - 11
59	10-19274	self-tapping screw, #14 x 5/8" w/washerhead
60	10-19224	Woodruff key, 1/4" x 1"
61	10-19988	Bolt, 1/4" - 20 x 1", grade 2
62	10-19225	Setscrew, 3/8" - 16 x 3/8"
63	10-17179	3/8" Plug
64	10-17167	Gasket for 1" flangette bearing
66	10-17181	Clevis pin
67	10-17383	Grip clip
68	10-17182	Track washer, 7/16"
75	10-17773	Basic carton
76	10-18698	7/16" x 1-1/4" NC Bolt Gr8 Pltd



REPLACEMENT SPROCKETS FOR AUGERS WITH PTO-SD DRIVE ARE SHOWN IN SECTION B

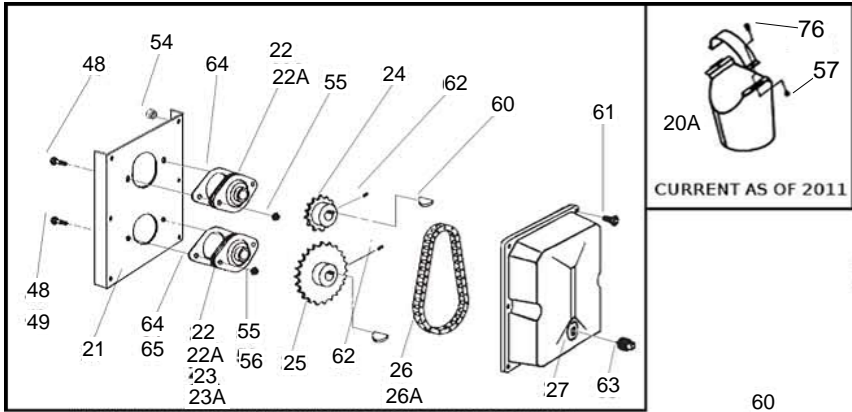


CURRENT AS OF 2011

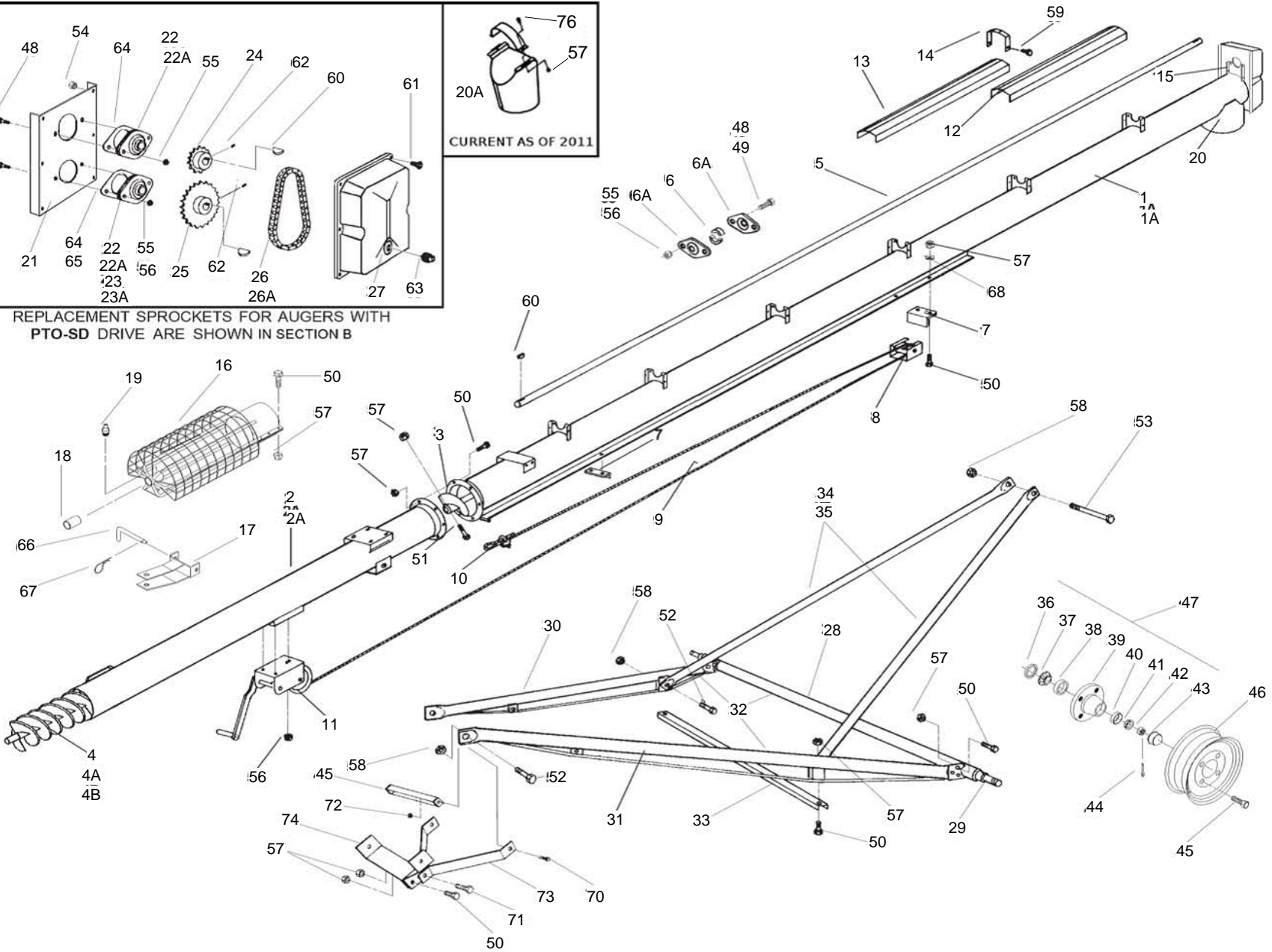


WR80 36 BASIC AUGER

ITEM	PART NO.	DESCRIPTION
1	10-19036	Upper tube section w/driveshaft, housing, track
1A	10-19065	Upper tube bundle, as shipped
2	10-19039	Lower tube section
2A	10-19068	Lower tube bundle, as shipped
3	10-19402	Upper flight section
4	10-19407	Lower flight section
4A	10-19085	20" Weld-on crimped intake flight
4B	10-17534	Slip on intake flight (1998 & later)
5	10-19206	Driveshaft, 22' 3-1/2" long
6	10-18693	1-1/4" split hardwood bearing, set of 2 halves
6A	10-18695	1-1/4" bearing flange, single, 2 bolt
7	10-18762	Angle track stop
8	10-18763	Roller track shoe
9	10-19248	1/4" Cable, 34' 6" long
10	10-19147	1/4" Cable clamp
11	10-19152	Winch
12	10-19254	Driveshaft shield, 42" long
13	10-19255	Driveshaft shield, 48" long
14	10-19256	Shield tie-down strap
15	10-19257	Upper shield attach bracket
16	10-19398	Intake hitch w/shield, bushing, grease fitting
17	10-17123	Clevis, less pin
18	10-19149	1" Bushing
19	10-19222	Press-in grease fitting
20	10-17156	Weld-on outlet spout
20A	10-29306	strap-on outlet
21	10-17172	Upper drive housing
22	10-19321	1" Flangette bearing, 2 bolt w/flanges
22A	10-18817	1" Bearing, less flanges
23	10-19322	1-1/4" Flangette bearing, 2 bolt w/flanges
23A	10-18853	1-1/4" Bearing, less flanges
24	10-19430	Upper sprocket, 14 tooth
25	10-19431	Lower sprocket, 25 tooth
26	10-19432	Roller chain w/connector
26A	10-19433	Roller chain connector only
27	10-17158	Housing cover
28	10-19337	Axle w/spindles, nuts, cotter pins
29	10-19262	Spindle, weld-on
30	10-19348	Lower reach tube, left
31	10-19349	Lower reach tube, right
32	10-19364	Lower reach frame bundle, as shipped
33	10-19373	crossmember
34	10-19382	Upper lift tube, left or right, single
35	10-19528	Upper lift bundle, as shipped, includes Ref.#33
36	10-19264	Seal
37	10-19265	Large bearing, Timken #LM 67048
38	10-19266	Large cup, Timken #LM 67010
39	10-19267	Hub w/cups
40	10-19268	Small cup, Timken #LM 11910
41	10-19269	Small bearing, Timken #LM 11949

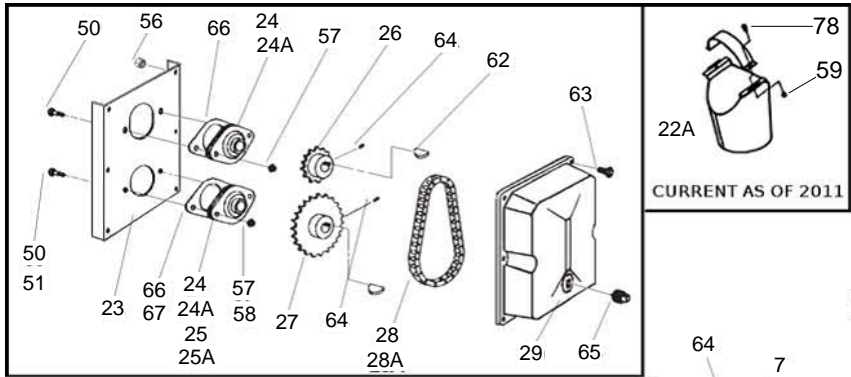


REPLACEMENT SPROCKETS FOR AUGERS WITH PTO-SD DRIVE ARE SHOWN IN SECTION B

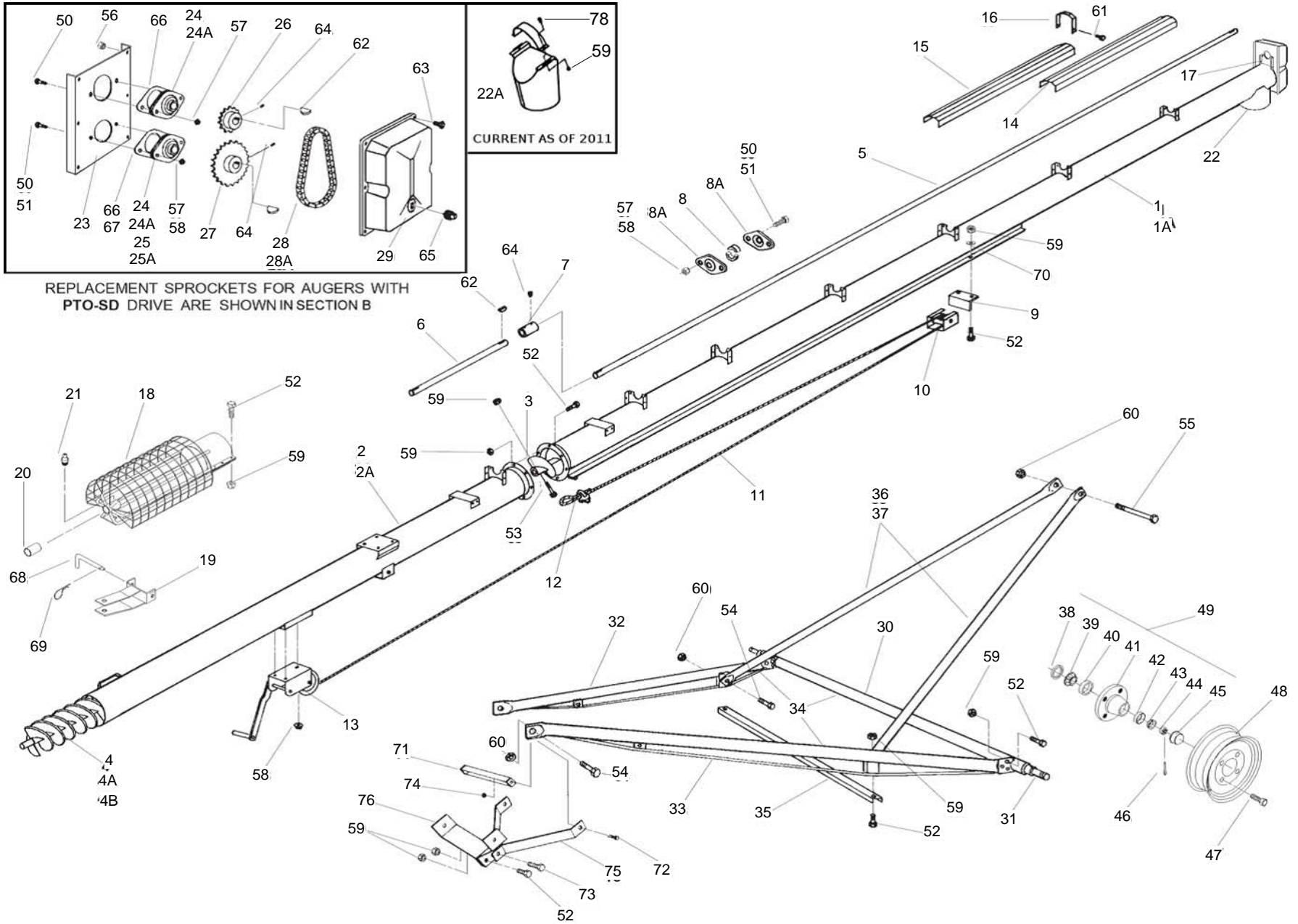


WR80 36 BASIC AUGER

ITEM	PART NO.	DESCRIPTION
42	10-19270	Slotted nut, 3/4" - 16
43	10-19272	Dust cap
44	10-19271	1/8" x 1-1/2" Cotter pin
45	10-19536	Short Crossmember
46	10-19261	15" Wheel, 4 bolt
47	10-19467	Hub assembly, complete
48	10-19538	Bolt, 5/16" - 18 x 3/4", grade 2
49	10-19540	Bolt, 3/8" - 16 x 3/4", grade 2
50	10-19542	Bolt, 7/16" - 14 x 1", grade 5
51	10-19545	Bolt, 7/16" - 14 x 2-1/4", grade 8
52	10-19590	Bolt, 5/8" - 11 x 1-1/2", grade 5
53	10-19591	Bolt, 5/8" - 11 x 6-1/2", grade 5
54	10-19594	Washer locknut, 1/4" - 20
55	10-19595	Washer locknut, 5/16" - 18
56	10-19596	Washer locknut, 3/8" - 16
57	10-19598	Locknut, 7/16" - 14
58	10-19600	Locknut, 5/8" - 11
59	10-19274	self-tapping screw, #14 x 5/8" w/washerhead
60	10-19224	Woodruff key, 1/4" x 1"
61	10-19988	Bolt, 1/4" - 20 x 1", grade 2
62	10-19225	Setscrew, 3/8" - 16 x 3/8"
63	10-17179	3/8" Plug
64	10-17167	Gasket for 1" flangette bearing
65	10-17168	Gasket for 1-1/4" flangette bearing
66	10-17181	Clevis pin
67	10-17383	Grip clip
68	10-17182	Track washer, 7/16"
69	10-19536	short crossmember
70	10-19589	bolt, 1/2" - 13 x 1-1/2", grade 5
71	10-19981	bolt, 7/16" - 14 x 1-3/4", grade 5
72	10-19599	locknut, 1/2" -13
73	10-18916	STABILIZER BRACE
74	10-18909	STABILIZER BRACKET
75	10-19684	Basic carton
76	10-18698	7/16" x 1-1/4" NC Bolt Gr8 Pltd

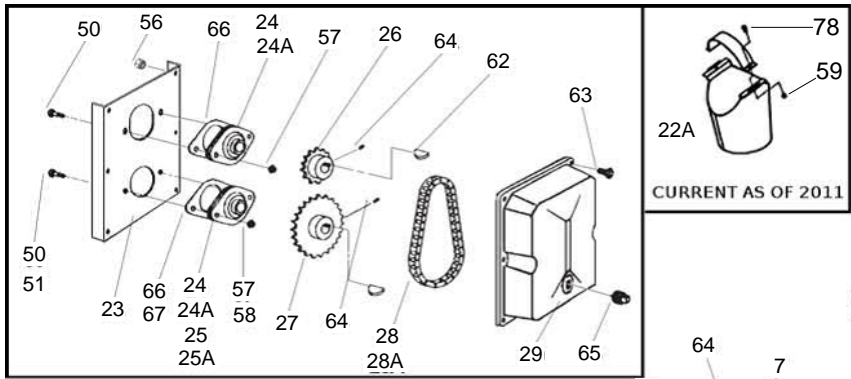


REPLACEMENT SPROCKETS FOR AUGERS WITH PTO-SD DRIVE ARE SHOWN IN SECTION B

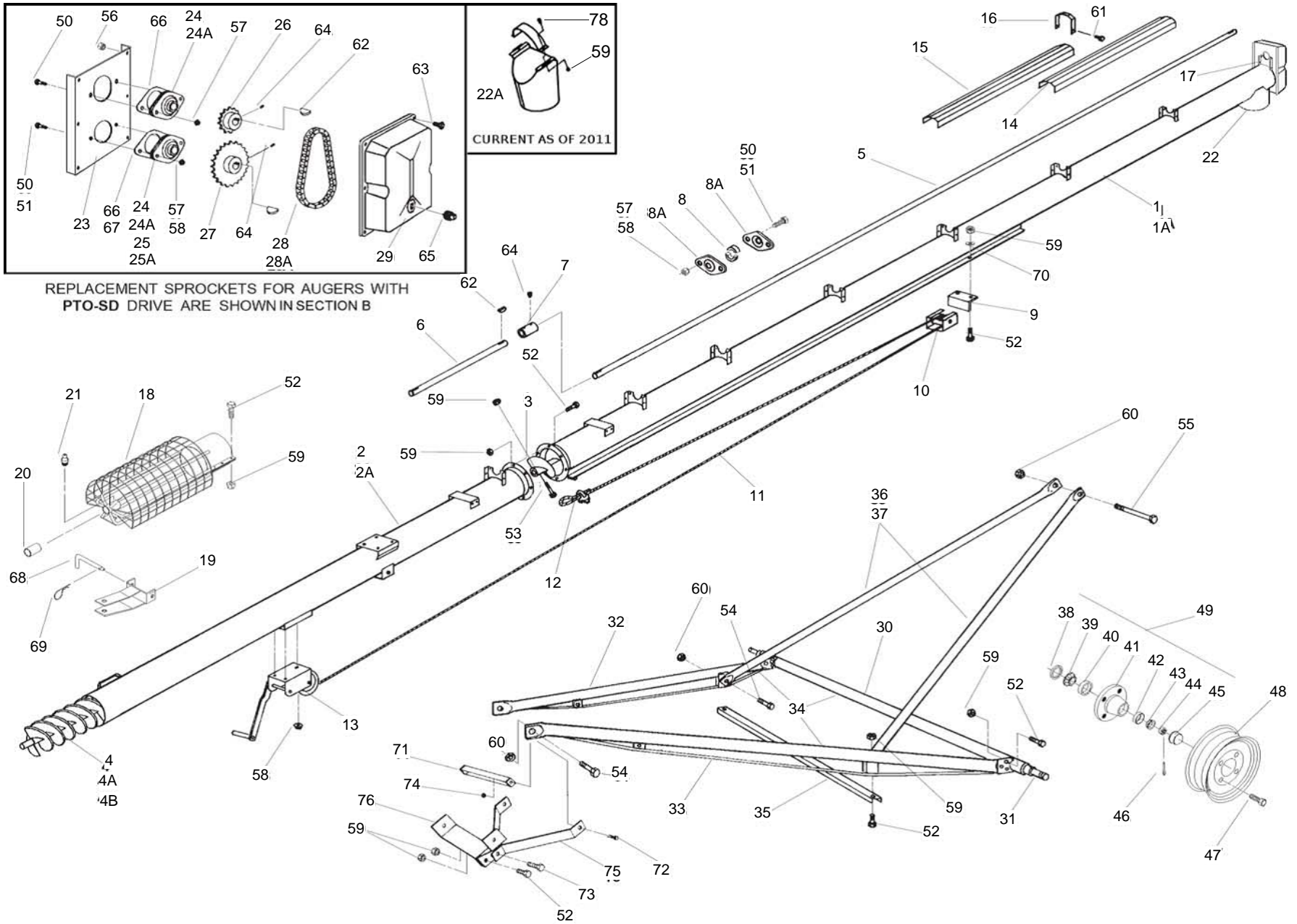


WR60 41 BASIC AUGER

ITEM	PART NO.	DESCRIPTION
1	10-19034	Upper tube section w/driveshaft, housing track
1A	10-19063	Upper tube bundle, as shipped
2	10-19040	Lower tube section
2A	10-19069	Lower tube bundle, as shipped
3	10-19006	Upper flight section
4	10-19012	Lower flight section
4A	10-19083	20" Weld-on crimped intake flight
4B	10-17532	Slip on intake flight (1998 & later)
5	10-19205	Upper driveshaft, 22' 3" long
6	10-19236	Lower driveshaft, 3' 9-1/2" long
7	10-19119	Driveshaft connector
8	10-18692	1" split hardwood bearing, set of 2 halves
8A	10-18694	1" bearing flange, single, 2 bolt
9	10-18762	Angle track stop
10	10-18763	Roller track shoe
11	10-19248	1/4" Cable, 34' 6" long
12	10-19147	1/4" Cable clamp
13	10-19151	Winch
14	10-19254	Driveshaft shield, 42" long
15	10-19255	Driveshaft shield, 48" long
16	10-19256	Shield tie-down strap
17	10-19257	Upper shield attach bracket
18	10-19019	Intake hitch w/shield, bushing, grease fitting
19	10-17123	Clevis, less pin
20	10-19149	1" Bushing
21	10-19222	Press-in grease fitting
22	10-19020	Weld-on outlet spout
23	10-17170	Upper drive housing
24	10-19321	1" Flangette bearing, 2 bolt w/flanges
24A	10-18817	1" Bearing, less flanges
26	10-19131	Upper sprocket, 14 tooth
27	10-19132	Lower sprocket, 25 tooth
28	10-19015	Roller chain w/connector
28A	10-19134	Roller chain connector only
29	10-17157	Housing cover
30	10-19338	Axle w/spindles, nuts, cotter pins
31	10-19262	Spindle, weld-on
32	10-19350	Lower reach tube, left
33	10-19351	Lower reach tube, right
34	10-19365	Lower reach frame bundle, as shipped
35	10-19374	crossmember
36	10-19383	Upper lift tube, left or right, single
37	10-19529	Upper lift bundle, as shipped, includes Ref. #35
38	10-19264	Seal
39	10-19265	Large bearing, Timken #LM 67048
40	10-19266	Large cup, Timken #LM 67010
41	10-19267	Hub w/cups
42	10-19268	Small cup, Timken #LM 11910
43	10-19269	Small bearing, Timken #LM 11949
44	10-19270	Slotted nut, 3/4" - 16

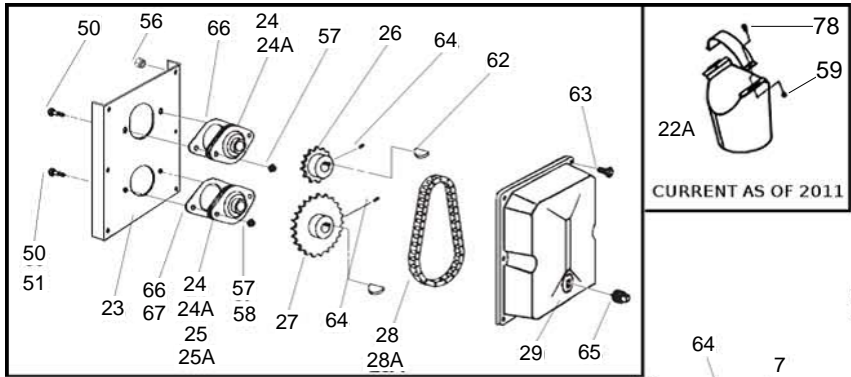


REPLACEMENT SPROCKETS FOR AUGERS WITH PTO-SD DRIVE ARE SHOWN IN SECTION B

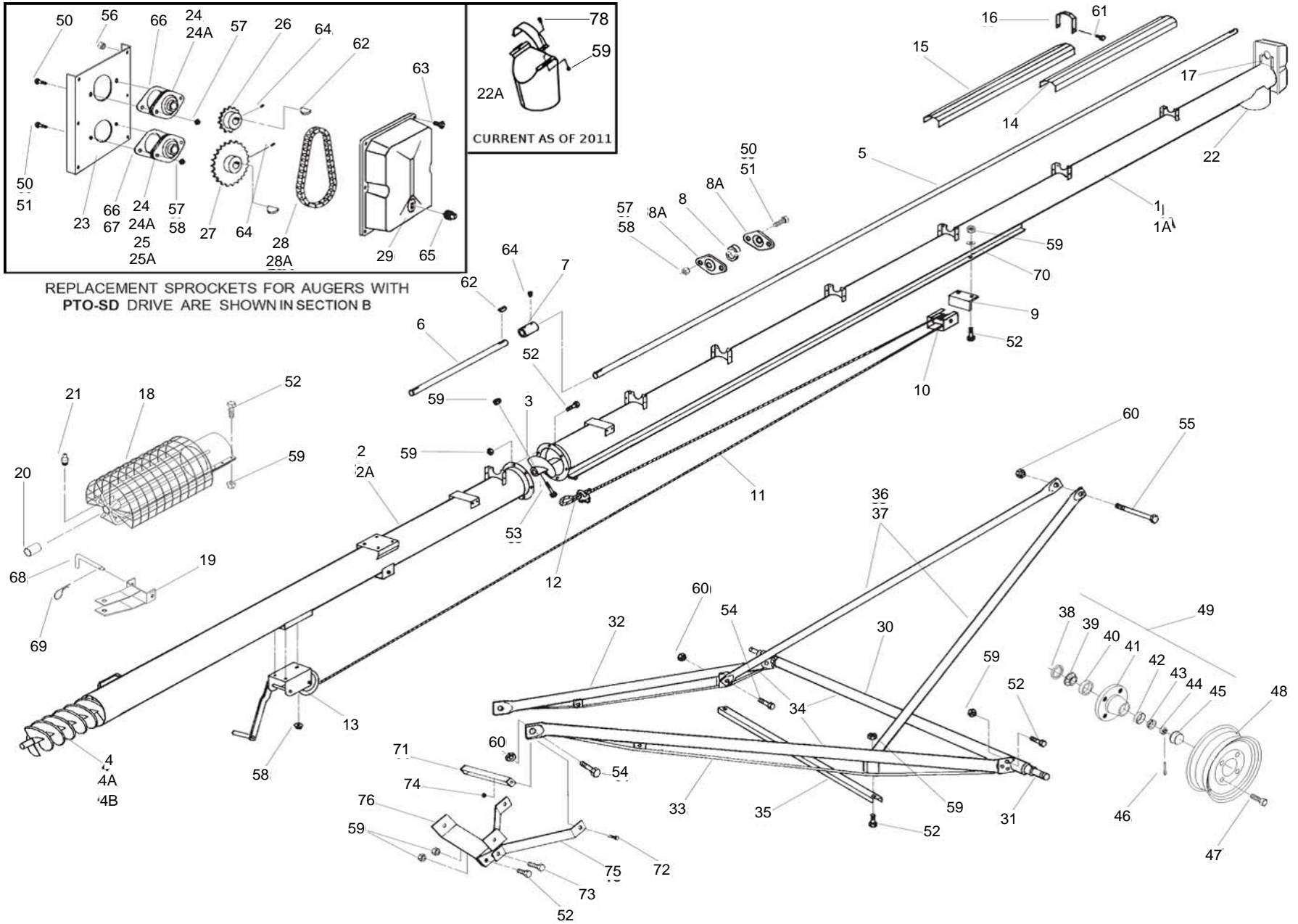


WR60 41 BASIC AUGER

ITEM	PART NO.	DESCRIPTION
45	10-19272	Dust cap
46	10-19271	1/8" x 1-1/2" Cotter pin
47	10-19273	Wheel bolt, 1/2" - 20
48	10-19261	15" Wheel, 4 bolt
49	10-19467	Hub assembly, complete
50	10-19538	Bolt, 5/16" - 18 x 3/4", grade 2
52	10-19542	Bolt, 7/16" - 14 x 1", grade 5
54	10-19590	Bolt, 5/8" - 11 x 1-1/2", grade 5
55	10-19591	Bolt, 5/8" - 11 x 6-1/2", grade 5
56	10-19594	Washer locknut, 1/4" - 20
57	10-19595	Washer locknut, 5/16" - 18
58	10-19596	Washer locknut, 3/8" - 16
59	10-19598	Locknut, 7/16" - 14
60	10-19600	Locknut, 5/8" - 11
61	10-19274	self-tapping screw, #14 x 5/8" w/washerhead
62	10-19224	Woodruff key, 1/4" x 1"
63	10-19988	Bolt, 1/4" - 20 x 1", grade 2
64	10-19225	Setscrew, 3/8" - 16 x 3/8"
65	10-17179	3/8" Plug
66	10-17167	Gasket for 1" flangette bearing
68	10-17181	CLEVIS PIN
69	10-17383	Grip clip
70	10-17182	Track washer, 7/16"
77	10-19679	Basic carton
78	10-18698	7/16" x 1-1/4" NC Bolt Gr8 Pltd

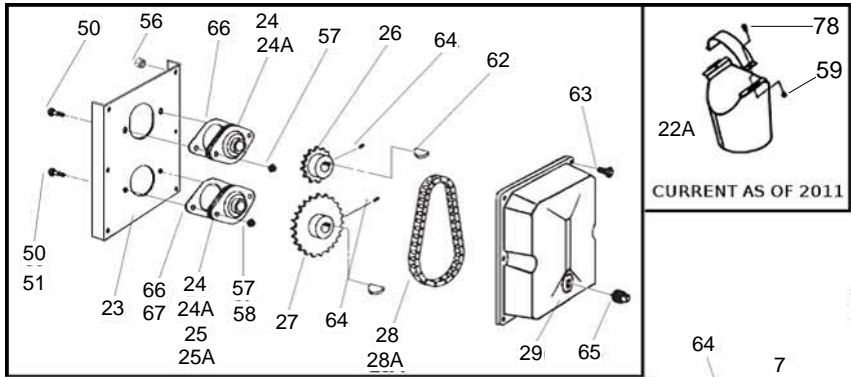


REPLACEMENT SPROCKETS FOR AUGERS WITH PTO-SD DRIVE ARE SHOWN IN SECTION B

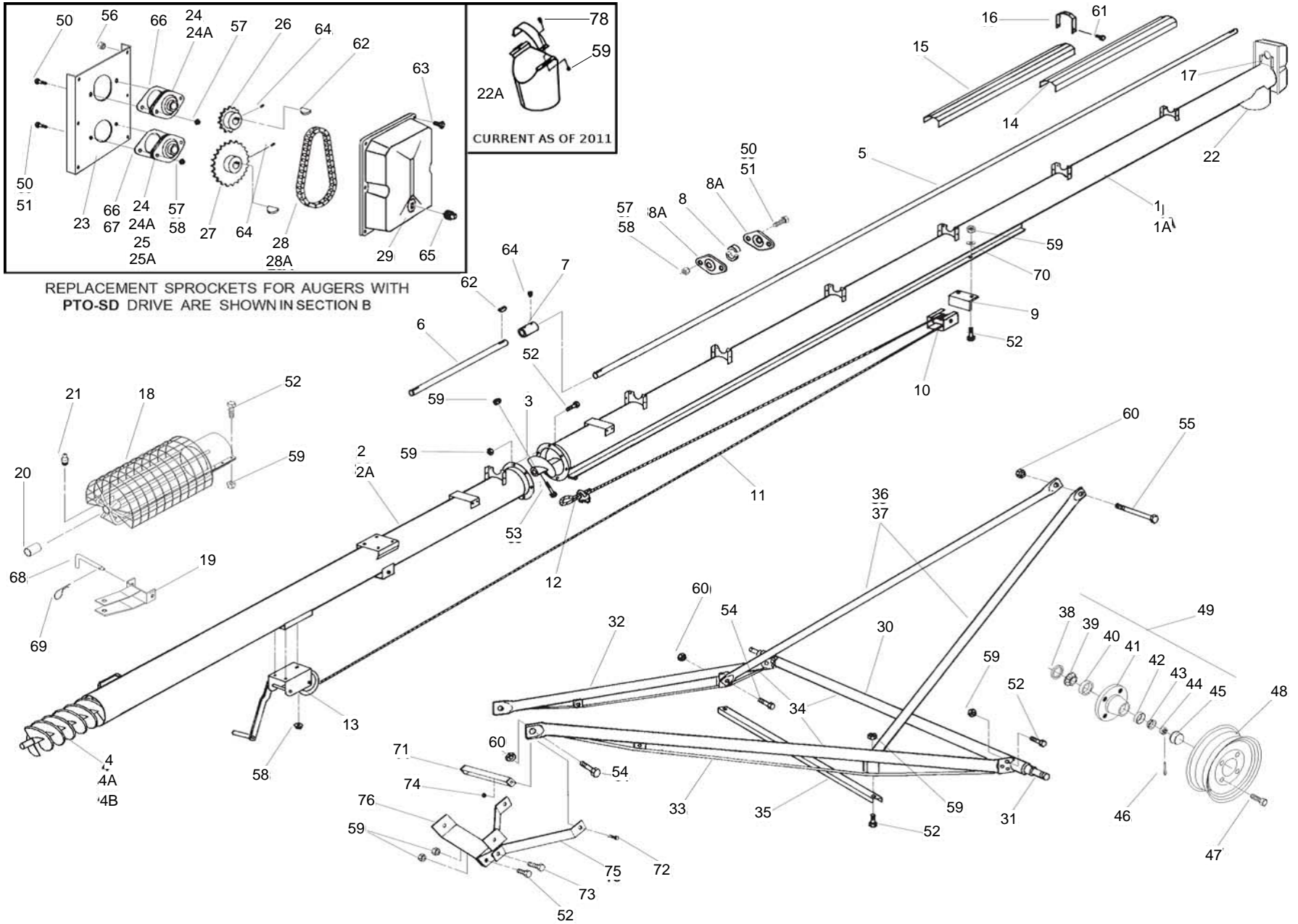


WR70 41 BASIC AUGER

ITEM	PART NO.	DESCRIPTION
1	10-19035	Upper tube section w/driveshaft, housing track
1A	10-19064	Upper tube bundle, as shipped
2	10-19041	Lower tube section
2A	10-19070	Lower tube bundle, as shipped
3	10-19105	Upper flight section
4	10-19113	Lower flight section
4A	10-19084	20" Weld-on crimped intake flight
4B	10-17533	Slip on intake flight (1998 & later)
5	10-19205	Upper driveshaft, 22' 3" long
6	10-19236	Lower driveshaft, 3' 9-1/2" long
7	10-19119	Driveshaft connector
8	10-18692	1" split hardwood bearing, set of 2 halves
8A	10-18694	1" bearing flange, single, 2 bolt
9	10-18762	Angle track stop
10	10-18763	Roller track shoe
11	10-19248	1/4" Cable, 34' 6" long
12	10-19147	1/4" Cable clamp
13	10-19151	Winch
14	10-19254	Driveshaft shield, 42" long
15	10-19255	Driveshaft shield, 48" long
16	10-19256	Shield tie-down strap
17	10-19257	Upper shield attach bracket
18	10-19192	Intake hitch w/shield, bushing, grease fitting
19	10-17123	Clevis, less pin
20	10-19149	1" Bushing
21	10-19222	Press-in grease fitting
22	10-17155	Weld-on outlet spout
23	10-17171	Upper drive housing
24	10-19321	1" Flangette bearing, 2 bolt w/flanges
24A	10-18817	1" Bearing, less flanges
26	10-19131	Upper sprocket, 14 tooth
27	10-19132	Lower sprocket, 25 tooth
28	10-19133	Roller chain w/connector
28A	10-19134	Roller chain connector only
29	10-17157	Housing cover
30	10-19338	Axle w/spindles, nuts, cotter pins
31	10-19262	Spindle, weld-on
32	10-19350	Lower reach tube, left
33	10-19351	Lower reach tube, right
34	10-19365	Lower reach frame bundle, as shipped
35	10-19374	crossmember
36	10-19383	Upper lift tube, left or right, single
37	10-19529	Upper lift bundle, as shipped, includes Ref. #35
38	10-19264	Seal
39	10-19265	Large bearing, Timken #LM 67048
40	10-19266	Large cup, Timken #LM 67010
41	10-19267	Hub w/cups
42	10-19268	Small cup, Timken #LM 11910
43	10-19269	Small bearing, Timken #LM 11949
44	10-19270	Slotted nut, 3/4" - 16

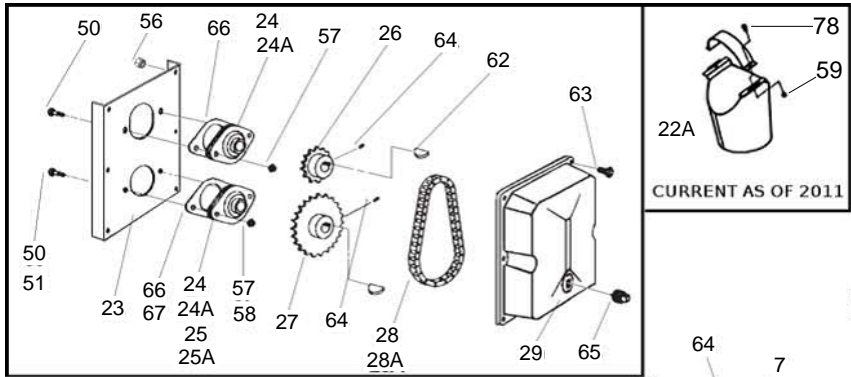


REPLACEMENT SPROCKETS FOR AUGERS WITH PTO-SD DRIVE ARE SHOWN IN SECTION B

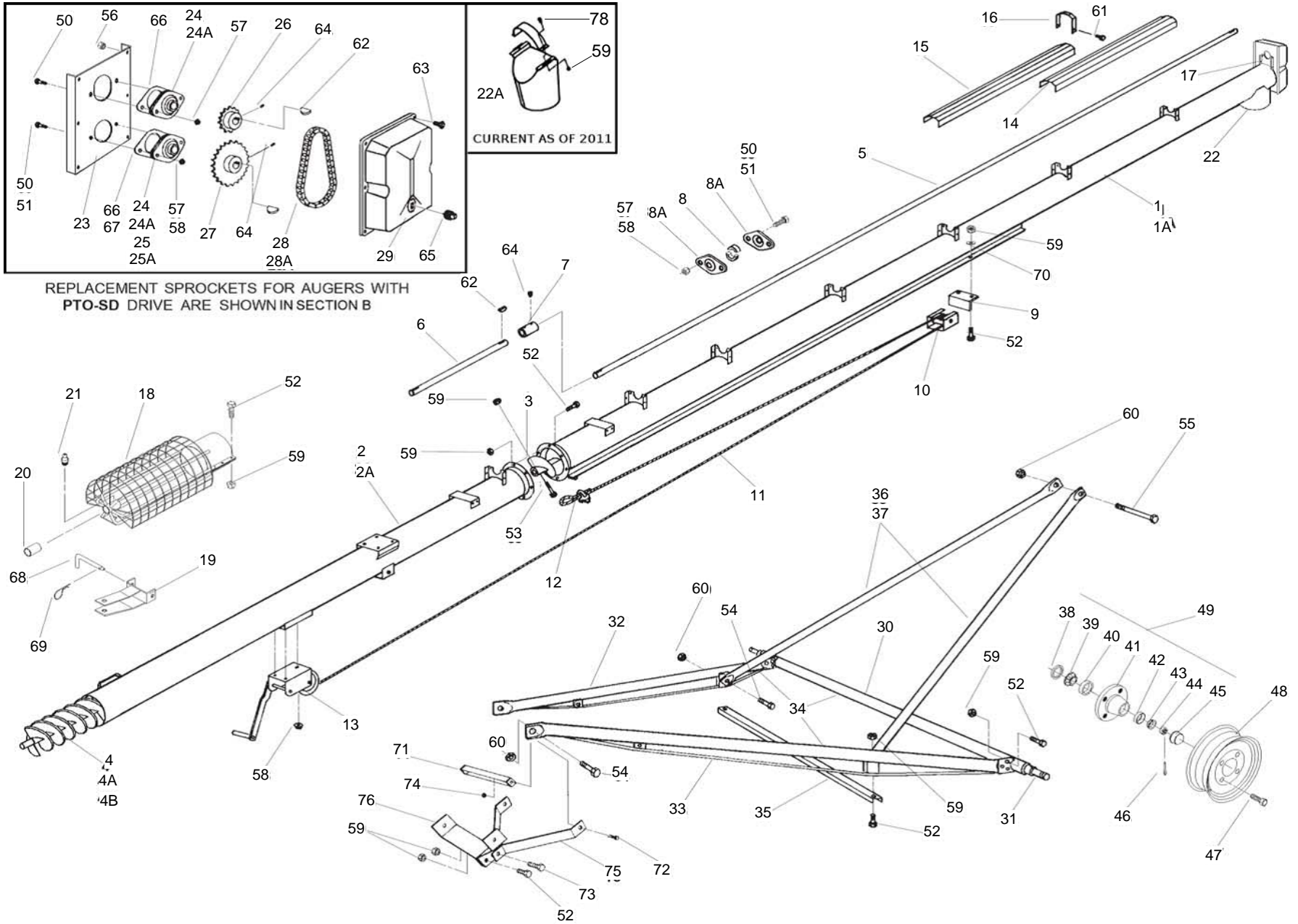


WR70 41 BASIC AUGER

ITEM	PART NO.	DESCRIPTION
45	10-19272	Dust cap
46	10-19271	1/8" x 1-1/2" Cotter pin
47	10-19273	Wheel bolt, 1/2" - 20
48	10-19261	15" Wheel, 4 bolt
49	10-19467	Hub assembly, complete
50	10-19538	Bolt, 5/16" - 18 x 3/4", grade 2
52	10-19542	Bolt, 7/16" - 14 x 1", grade 5
54	10-19590	Bolt, 5/8" - 11 x 1-1/2", grade 5
55	10-19591	Bolt, 5/8" - 11 x 6-1/2", grade 5
56	10-19594	Washer locknut, 1/4" - 20
57	10-19595	Washer locknut, 5/16" - 18
58	10-19596	Washer locknut, 3/8" - 16
59	10-19598	Locknut, 7/16" - 14
60	10-19600	Locknut, 5/8" - 11
61	10-19274	self-tapping screw, #14 x 5/8" w/washerhead
62	10-19224	Woodruff key, 1/4" x 1"
63	10-19988	Bolt, 1/4" - 20 x 1", grade 2
64	10-19225	Setscrew, 3/8" - 16 x 3/8"
65	10-17179	3/8" Plug
66	10-17167	Gasket for 1" flangette bearing
68	10-17181	CLEVIS PIN
69	10-17383	Grip clip
70	10-17182	Track washer, 7/16"
77	10-17774	Basic carton
78	10-18698	7/16" x 1-1/4" NC Bolt Gr8 Pltd

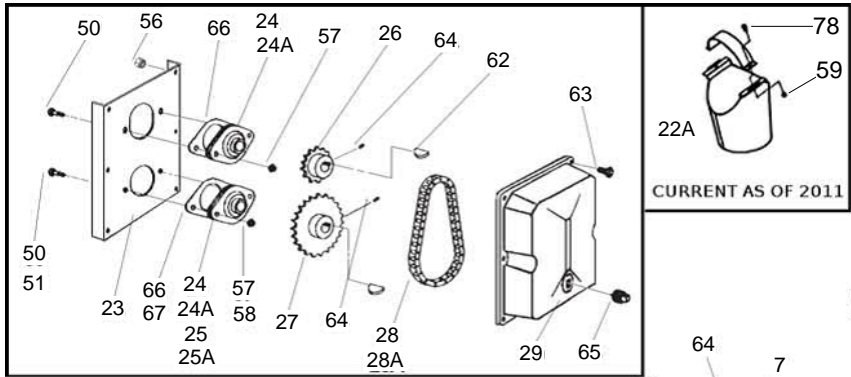


REPLACEMENT SPROCKETS FOR AUGERS WITH PTO-SD DRIVE ARE SHOWN IN SECTION B

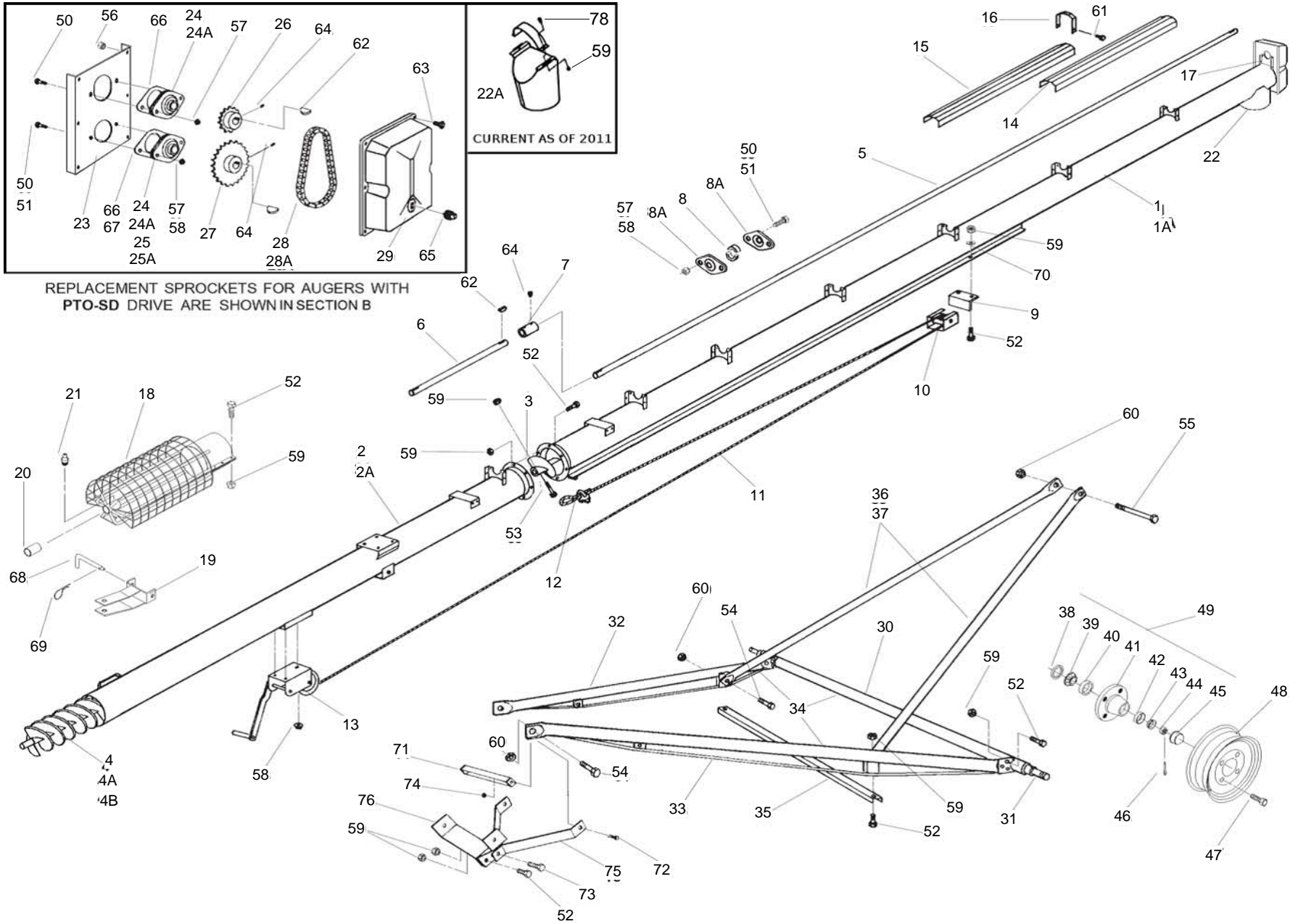


WR80 41 BASIC AUGER

ITEM	PART NO.	DESCRIPTION
1	10-19036	Upper tube section w/driveshaft, housing track
1A	10-19065	Upper tube bundle, as shipped
2	10-19042	Lower tube section
2A	10-19071	Lower tube bundle, as shipped
3	10-19402	Upper flight section
4	10-19408	Lower flight section
4A	10-19085	20" Weld-on crimped intake flight
4B	10-17534	Slip on intake flight (1998 & later)
5	10-19206	Upper driveshaft, 22' 3-1/2" long
6	10-19237	Lower driveshaft, 3' 9-1/2" long
7	10-19119	Driveshaft connector
8	10-18693	1-1/4" split hardwood bearing, set of 2 halves
8A	10-18695	1-1/4" bearing flange, single, 2 bolt
9	10-18762	Angle track stop
10	10-18763	Roller track shoe
11	10-19248	1/4" Cable, 34' 6" long
12	10-19147	1/4" Cable clamp
13	10-19152	Winch
14	10-19254	Driveshaft shield, 42" long
15	10-19255	Driveshaft shield, 48" long
16	10-19256	Shield tie-down strap
17	10-19257	Upper shield attach bracket
18	10-19398	Intake hitch w/shield, bushing, grease fitting
19	10-17123	Clevis, less pin
20	10-19149	1" Bushing
21	10-19222	Press-in grease fitting
22	10-17156	Weld-on outlet spout
22A	10-29306	strap-on outlet
23	10-17172	Upper drive housing
24	10-19321	1" Flangette bearing, 2 bolt w/flanges
24A	10-18817	1" Bearing, less flanges
25	10-19322	1-1/4" Flangette bearing, 2 bolt w/flanges
25A	10-18853	1-1/4" Bearing, less flanges
26	10-19430	Upper sprocket, 14 tooth
27	10-19431	Lower sprocket, 25 tooth
28	10-19432	Roller chain w/connector
28A	10-19433	Roller chain connector only
29	10-17158	Housing cover
30	10-19338	Axle w/spindles, nuts, cotter pins
31	10-19262	Spindle, weld-on
32	10-19350	Lower reach tube, left
33	10-19351	Lower reach tube, right
34	10-19365	Lower reach frame bundle, as shipped
35	10-19374	crossmember
36	10-19383	Upper lift tube, left or right, single
37	10-19529	Upper lift bundle, as shipped, includes Ref. #35
38	10-19264	Seal
39	10-19265	Large bearing, Timken #LM 67048
40	10-19266	Large cup, Timken #LM 67010
41	10-19267	Hub w/cups

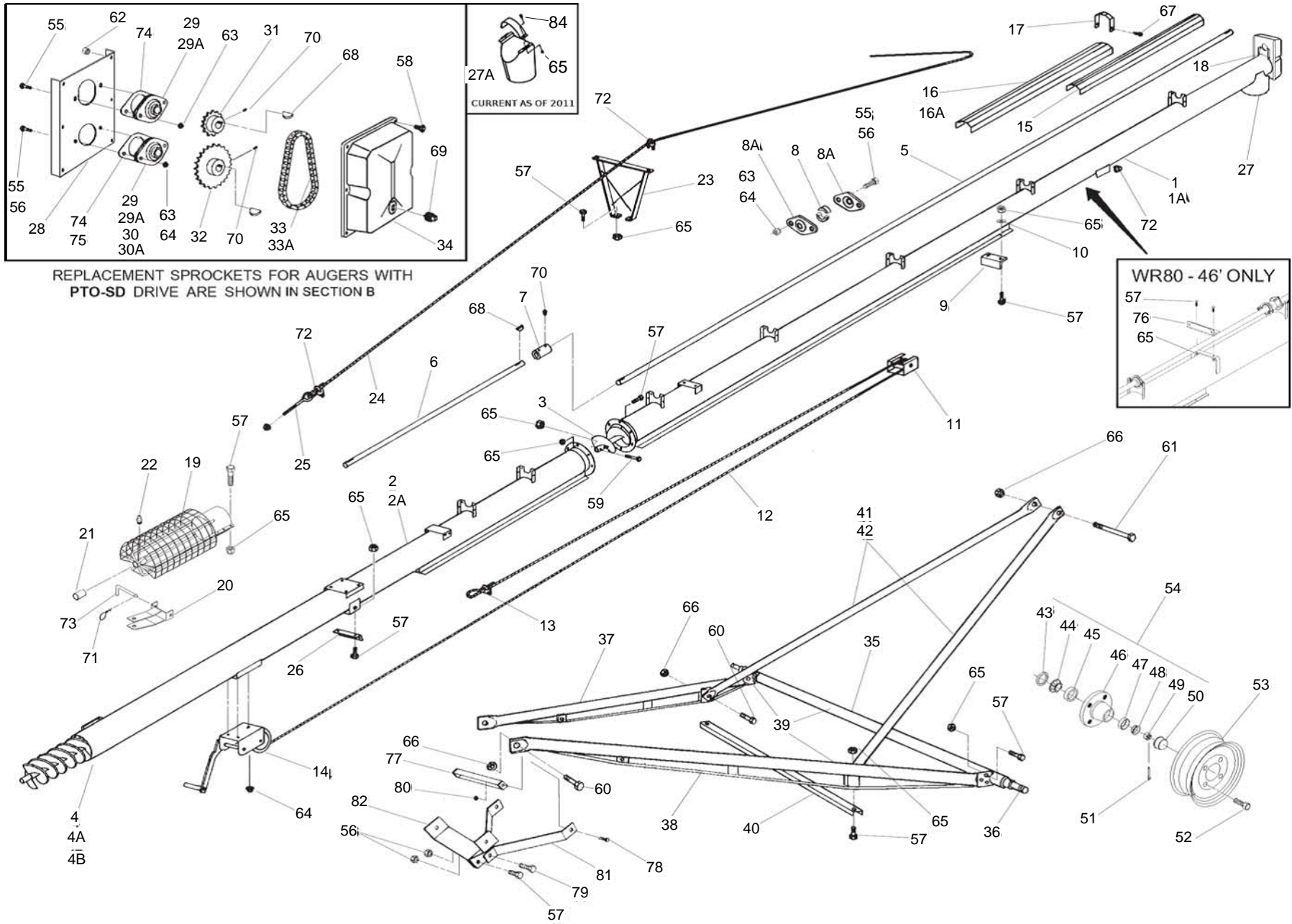


REPLACEMENT SPROCKETS FOR AUGERS WITH PTO-SD DRIVE ARE SHOWN IN SECTION B



WR80 41 BASIC AUGER

ITEM	PART NO.	DESCRIPTION
42	10-19268	Small cup, Timken #LM 11910
43	10-19269	Small bearing, Timken #LM 11949
44	10-19270	Slotted nut, 3/4" - 16
45	10-19272	Dust cap
46	10-19271	1/8" x 1-1/2" Cotter pin
47	10-19273	Wheel bolt, 1/2" - 20
48	10-19261	15" Wheel, 4 bolt
49	10-19467	Hub assembly, complete
50	10-19538	Bolt, 5/16" - 18 x 3/4", grade 2
51	10-19540	Bolt, 3/8" - 16 x 3/4", grade 2
52	10-19542	Bolt, 7/16" - 14 x 1", grade 5
53	10-19545	Bolt, 7/16" - 14 x 2-1/4", grade 8
54	10-19590	Bolt, 5/8" - 11 x 1-1/2", grade 5
55	10-19591	Bolt, 5/8" - 11 x 6-1/2", grade 5
56	10-19594	Washer locknut, 1/4" - 20
57	10-19595	Washer locknut, 5/16" - 18
58	10-19596	Washer locknut, 3/8" - 16
59	10-19598	Locknut, 7/16" - 14
60	10-19600	Locknut, 5/8" - 11
61	10-19274	self-tapping screw, #14 x 5/8" w/washerhead
62	10-19224	Woodruff key, 1/4" x 1"
63	10-19988	Bolt, 1/4" - 20 x 1", grade 2
64	10-19225	Setscrew, 3/8" - 16 x 3/8"
65	10-17179	3/8" Plug
66	10-17167	Gasket for 1" flangette bearing
67	10-17168	Gasket for 1-1/4" flangette bearing
68	10-17181	CLEVIS PIN
69	10-17383	Grip clip
70	10-17182	Track washer, 7/16"
71	10-19536	short crossmember
72	10-19589	bolt, 1/2" - 13 x 1-1/2", grade 5
73	10-19981	bolt, 7/16" - 14 x 1-3/4", grade 5
74	10-19599	locknut, 1/2" -13
75	10-18916	stabilizer brace
76	10-18909	stabilizer bracket
77	10-19685	Basic carton
78	10-18698	7/16" x 1-1/4" NC Bolt Gr8 Pltd

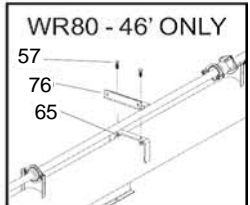
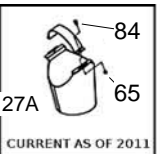
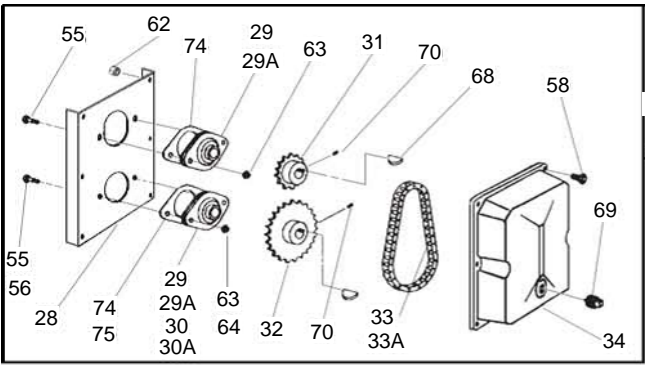
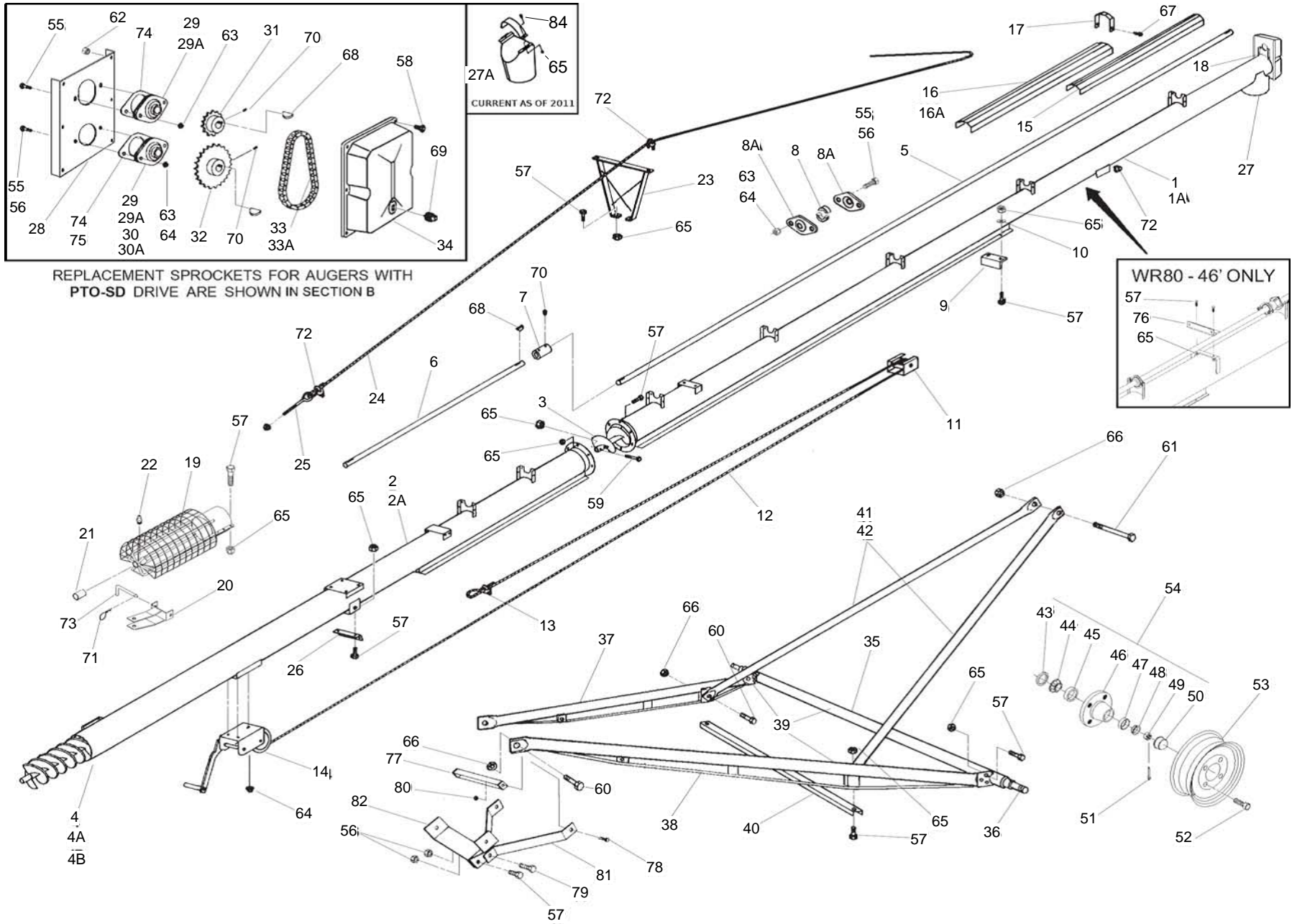


REPLACEMENT SPROCKETS FOR AUGERS WITH PTO-SD DRIVE ARE SHOWN IN SECTION B

WR80 - 46' ONLY
57
76
65

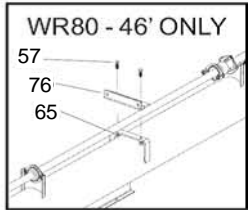
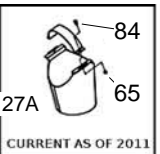
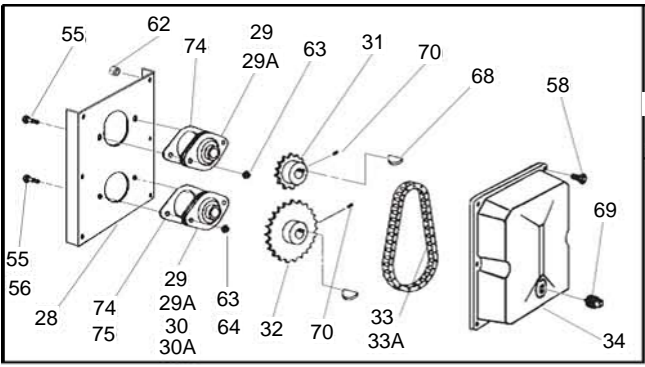
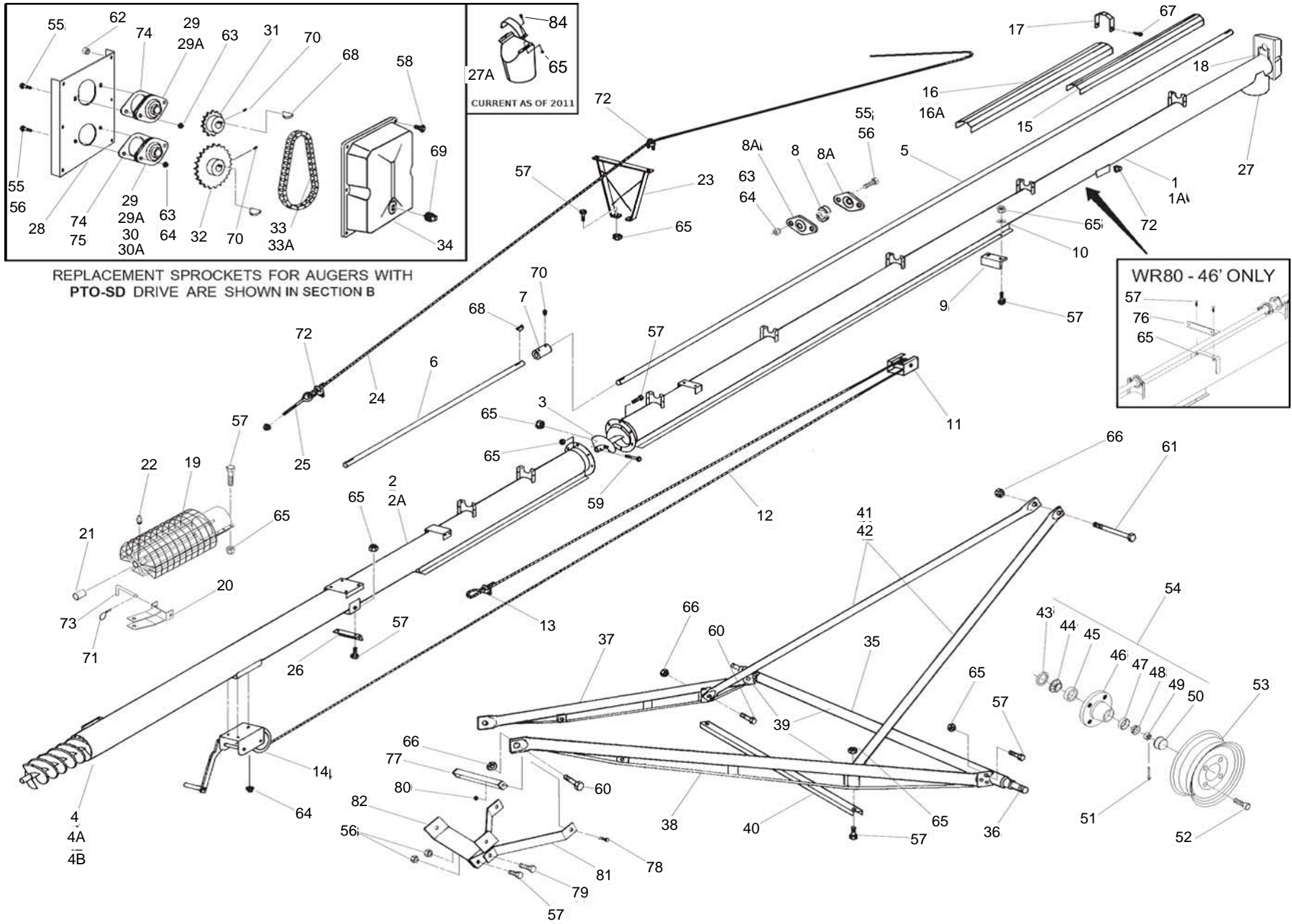
WR70 46 BASIC AUGER

ITEM	PART NO.	DESCRIPTION
1	10-18711	Upper tube section w/driveshaft, housing
1A	10-18722	Upper tube bundle, as shipped
2	10-17183	Lower tube section
2A	10-17185	Lower tube bundle, as shipped
3	10-19105	Upper flight section
4	10-19114	Lower flight section
4A	10-19084	20" Weld-on crimped intake flight
4B	10-17533	Slip on intake flight (1998 & later)
5	10-18700	Upper driveshaft, 1" x 24' 2"
6	10-17187	Lower driveshaft, 1" x 5' 6-1/2"
7	10-19119	Driveshaft connector
8	10-18692	1" split hardwood bearing, set of 2 halves
8A	10-18694	1" bearing flange, single, 2 bolt
9	10-18762	Angle track stop
10	10-17182	Track washer, 7/16"
11	10-18763	Roller track shoe
12	10-19249	1/4" Cable, 44' long
13	10-19147	1/4" Cable clamp
14	10-19152	Winch, 5:1 ratio
15	10-19254	Driveshaft shield, 42" long
16	10-19255	Driveshaft shield, 48" long
16A	10-18829	Driveshaft shield, 60" long
17	10-19256	Shield tie-down strap
18	10-19257	Upper shield attach bracket
19	10-19192	Intake hitch w/shield, bushing, grease fitting
20	10-17123	Clevis, less pin
21	10-19149	1" Bushing
22	10-19222	Press-in grease fitting
23	10-19324	Truss support bracket, low
24	10-18825	5/16" Truss cable, 57' 6" long
25	10-19331	Eye bolt w/nut
26	10-19332	Truss attach angle
27	10-17155	Weld-on spout
28	10-17171	Upper drive housing
29	10-19321	1" Flangette bearing, 2 bolt w/flanges
29A	10-18817	1" Bearing, less flanges
31	10-19131	Upper sprocket, 14 tooth
32	10-19132	Lower sprocket, 25 tooth
33	10-19133	Roller chain w/connector
33A	10-19134	Roller chain connector only
34	10-17157	Housing cover
35	10-19339	Axle w/spindles, nuts, cotter pins
36	10-19263	Spindle, weld-on
37	10-19352	Lower reach tube, left
38	10-19353	Lower reach tube, right
39	10-19366	Lower reach frame bundle, as shipped
40	10-19375	crossmember
41	10-19384	Upper lift tube, left or right, single
42	10-19531	Upper lift bundle, as shipped, includes ref. #40
43	10-19264	Seal



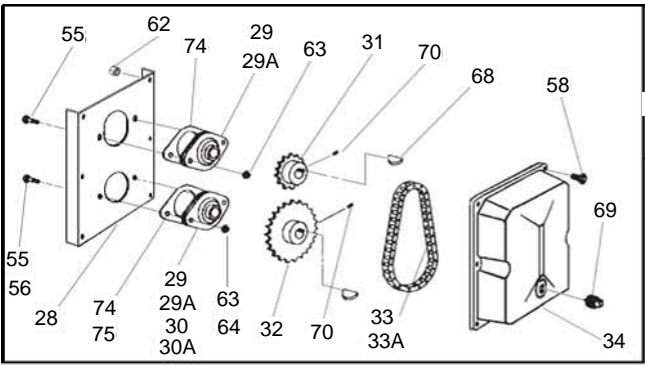
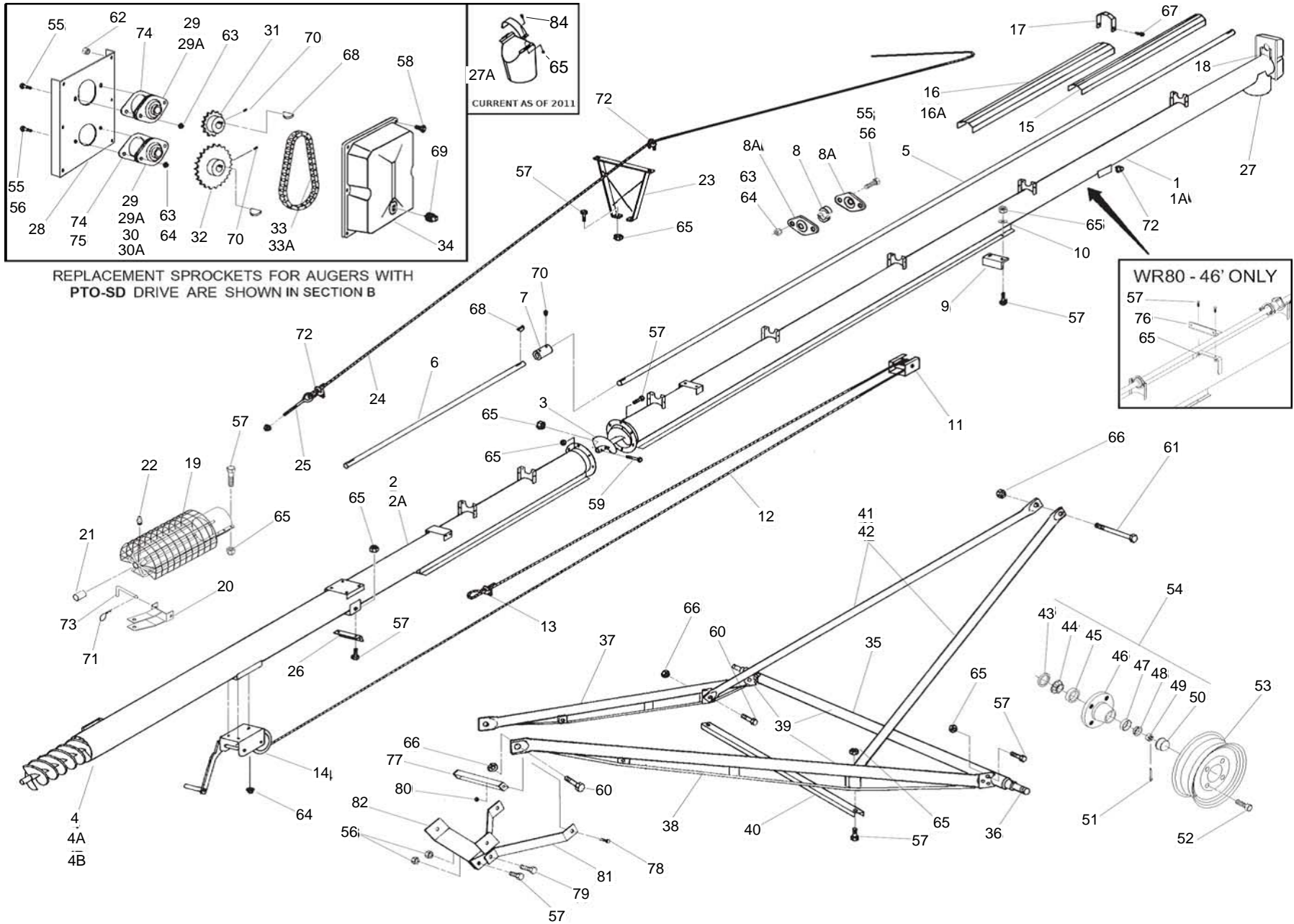
WR70 46 BASIC AUGER

ITEM	PART NO.	DESCRIPTION
44	10-19265	Large bearing, Timken #LM 67048
45	10-19266	Large cup, Timken #LM 67010
46	10-19267	Hub w/cups
47	10-19268	Small cup, Timken #LM 11910
48	10-19269	Small bearing, Timken #LM 11949
49	10-19270	Slotted nut, 3/4" - 16
50	10-19272	Dust cap
51	10-19271	Cotter pin, 1/8" x 1-1/2"
52	10-19273	Wheel bolt, 1/2" - 20
53	10-19261	15" Wheel , 4 bolt
54	10-19467	Hub assembly, complete
55	10-19538	Bolt, 5/16" - 18 x 3/4", grade 2
57	10-19542	Bolt, 7/16" - 14 x 1", grade 5
58	10-19988	Bolt, 1/4" - 20 x 1", grade 2
60	10-19590	Bolt, 5/8" - 11 x 1-1/2", grade 5
61	10-19591	Bolt, 5/8" - 11 x 6-1/2", grade 5
62	10-19594	Washer locknut, 1/4" - 20
63	10-19595	Washer locknut, 5/16" - 18
64	10-19596	Washer locknut, 3/8" - 16
65	10-19598	Locknut, 7/16" - 14
66	10-19600	Locknut, 5/8" - 11
67	10-19274	self-tapping screw, #14 x 5/8", with washerhead
68	10-19224	Woodruff key, 1/4" x 1"
69	10-17179	3/8" Plug
70	10-19225	Set screw, 3/8" - 16 x 3/8"
71	10-17383	Grip clip
72	10-19333	Cable clamp, 5/16"
73	10-17181	Clevis pin
74	10-17167	Gasket for 1" flangette bearing
83	10-19680	Basic carton
84	10-18698	7/16" x 1-1/4" NC Bolt Gr8 Pltd

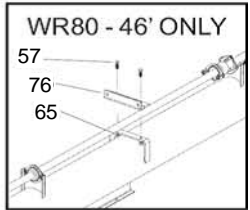


WR80 46 BASIC AUGER

ITEM	PART NO.	DESCRIPTION
1	10-27824	Upper tube section w/driveshaft, housing
1A	10-27839	Upper tube bundle, as shipped
2	10-17184	Lower tube section
2A	10-17186	Lower tube bundle, as shipped
3	10-19402	Upper flight section
4	10-19409	Lower flight section
4A	10-19085	20" Weld-on crimped intake flight
4B	10-17534	Slip on intake flight (1998 & later)
5	10-18702	Upper driveshaft, 1-1/4" x 24'
6	10-17189	Lower driveshaft, 1-1/4" x 10' 2-1/2"
7	10-19119	Driveshaft connector
8	10-18693	1-1/4" split hardwood bearing, set of 2 halves
8A	10-18695	1-1/4" bearing flange, single, 2 bolt
9	10-18762	Angle track stop
10	10-17182	Track washer, 7/16"
11	10-18763	Roller track shoe
12	10-19249	1/4" Cable, 44' long
13	10-19147	1/4" Cable clamp
14	10-19152	Winch, 5:1 ratio
15	10-19254	Driveshaft shield, 42" long
16	10-19255	Driveshaft shield, 48" long
16A	10-18829	Driveshaft shield, 60" long
17	10-19256	Shield tie-down strap
18	10-19257	Upper shield attach bracket
19	10-19398	Intake hitch w/shield, bushing, grease fitting
20	10-17123	Clevis, less pin
21	10-19149	1" Bushing
22	10-19222	Press-in grease fitting
23	10-19324	Truss support bracket, low
24	10-18825	5/16" Truss cable, 57' 6" long
25	10-19331	Eye bolt w/nut
26	10-19332	Truss attach angle
27	10-17156	Weld-on spout
27A	10-29306	strap-on outlet
28	10-17172	Upper drive housing
29	10-19321	1" Flangette bearing, 2 bolt w/flanges
29A	10-18817	1" Bearing, less flanges
30	10-19322	1-1/4" Flangette bearing, 2 bolt w/flanges
30A	10-18853	1-1/4" Bearing, less flanges
31	10-19430	Upper sprocket, 14 tooth
32	10-19431	Lower sprocket, 25 tooth
33	10-19432	Roller chain w/connector
33A	10-19433	Roller chain connector only
34	10-17158	Housing cover
35	10-19339	Axle w/spindles, nuts, cotter pins
36	10-19263	Spindle, weld-on
37	10-19352	Lower reach tube, left
38	10-19353	Lower reach tube, right
39	10-19366	Lower reach frame bundle, as shipped
40	10-19375	crossmember

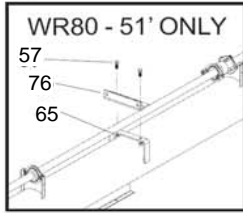
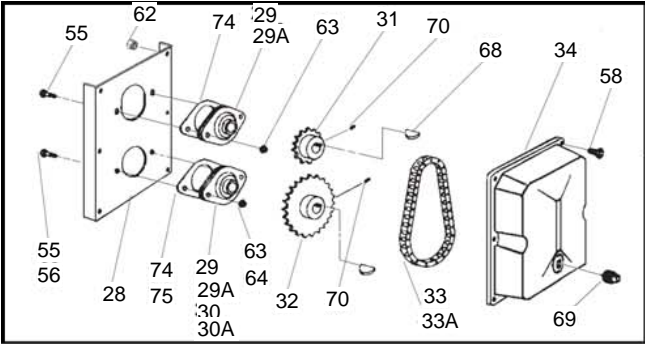
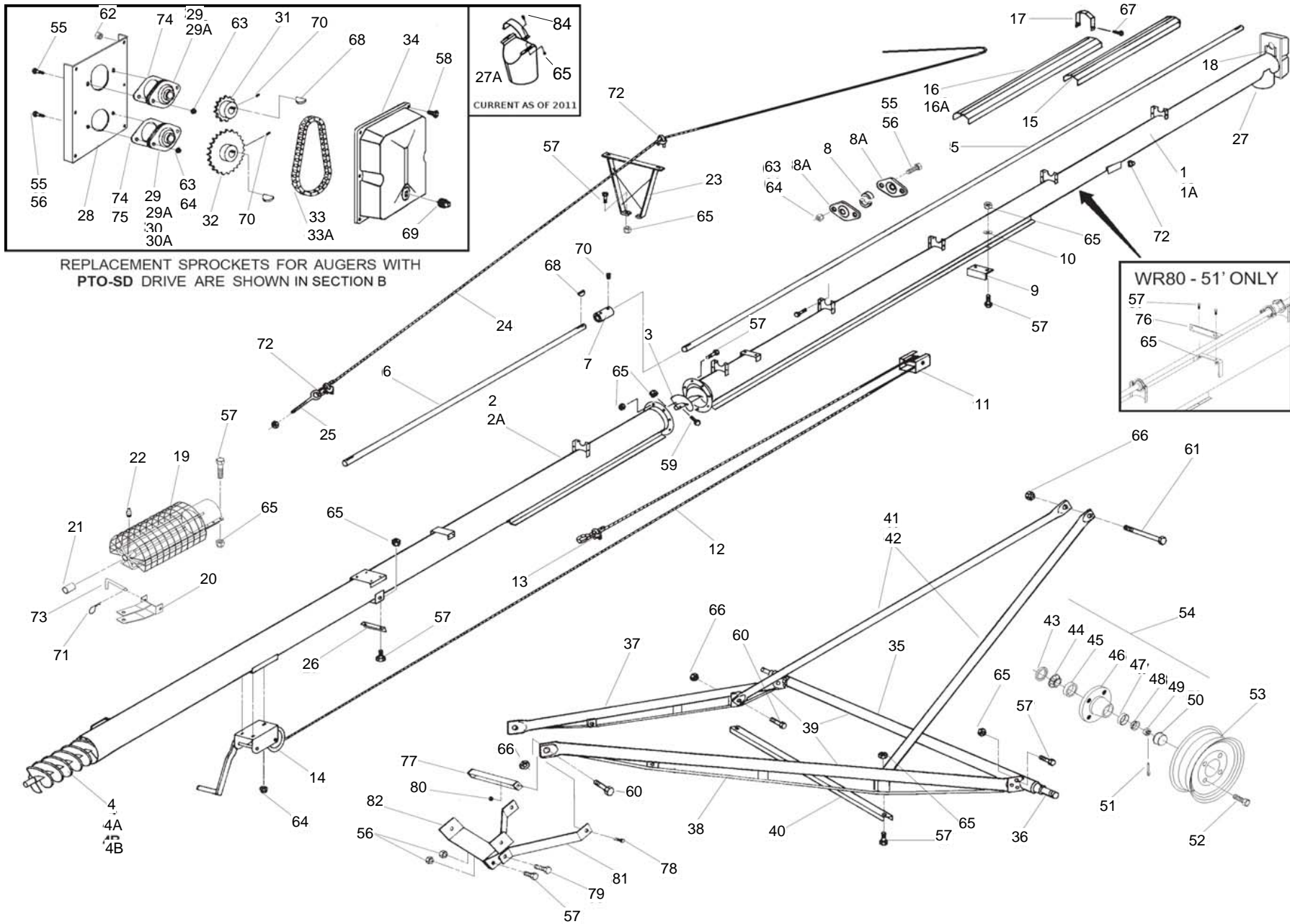


REPLACEMENT SPROCKETS FOR AUGERS WITH PTO-SD DRIVE ARE SHOWN IN SECTION B



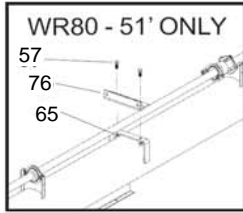
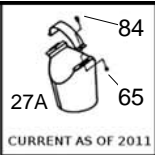
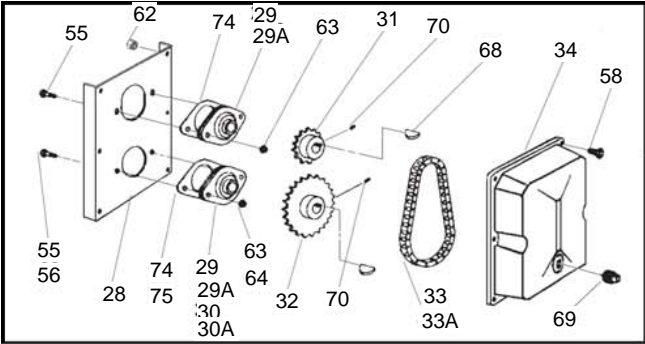
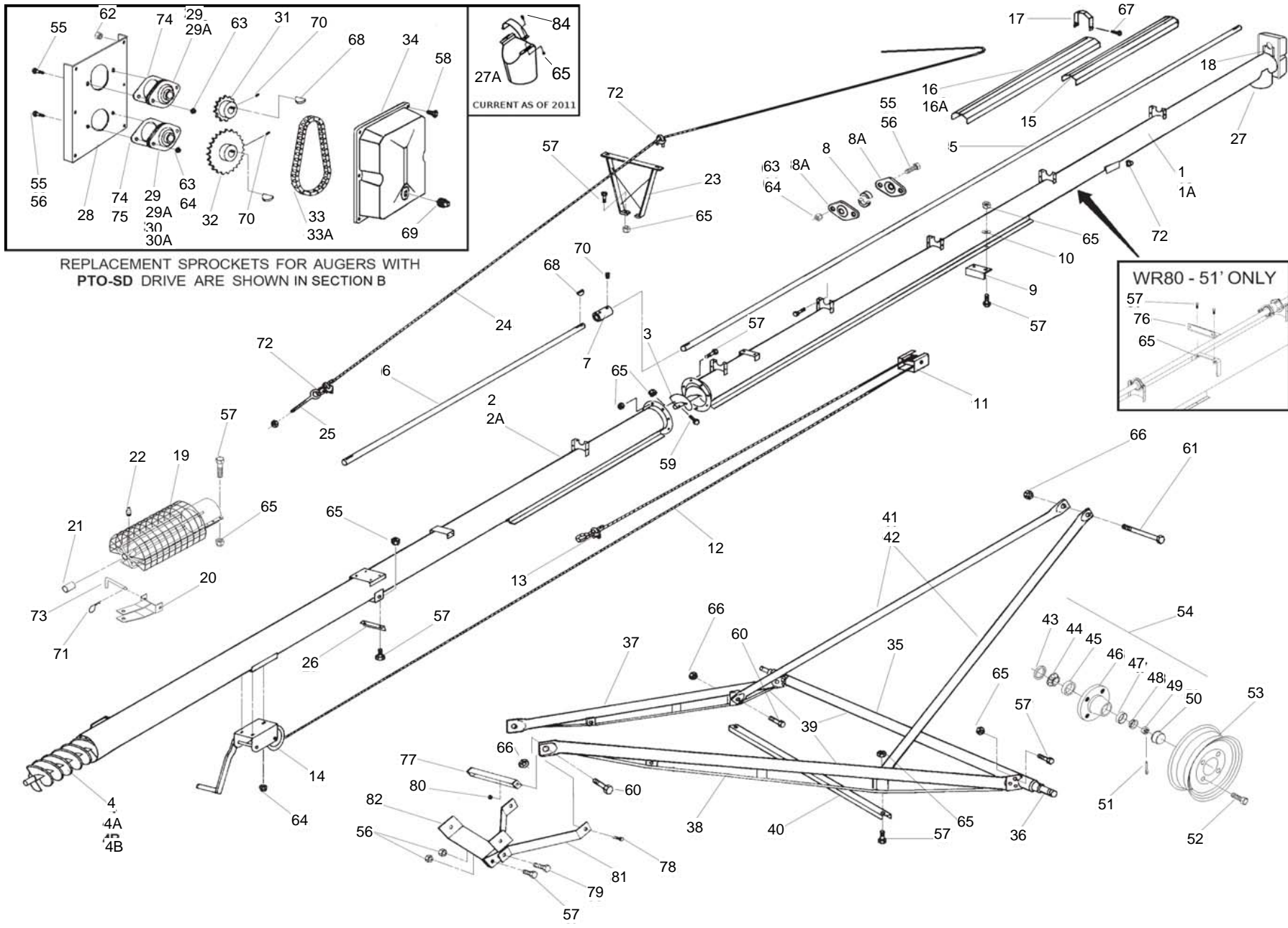
WR80 46 BASIC AUGER

ITEM	PART NO.	DESCRIPTION
41	10-19384	Upper lift tube, left or right, single
42	10-19531	Upper lift bundle, as shipped, includes ref. #40
43	10-19264	Seal
44	10-19265	Large bearing, Timken #LM 67048
45	10-19266	Large cup, Timken #LM 67010
46	10-19267	Hub w/cups
47	10-19268	Small cup, Timken #LM 11910
48	10-19269	Small bearing, Timken #LM 11949
49	10-19270	Slotted nut, 3/4" - 16
50	10-19272	Dust cap
51	10-19271	Cotter pin, 1/8" x 1-1/2"
52	10-19273	Wheel bolt, 1/2" - 20
53	10-19261	15" Wheel , 4 bolt
54	10-19467	Hub assembly, complete
55	10-19538	Bolt, 5/16" - 18 x 3/4", grade 2
56	10-19540	Bolt, 3/8" - 16 x 3/4", grade 2
57	10-19542	Bolt, 7/16" - 14 x 1", grade 5
58	10-19988	Bolt, 1/4" - 20 x 1", grade 2
59	10-19545	Bolt, 7/16" - 14 x 2-1/4", grade 8
60	10-19590	Bolt, 5/8" - 11 x 1-1/2", grade 5
61	10-19591	Bolt, 5/8" - 11 x 6-1/2", grade 5
62	10-19594	Washer locknut, 1/4" - 20
63	10-19595	Washer locknut, 5/16" - 18
64	10-19596	Washer locknut, 3/8" - 16
65	10-19598	Locknut, 7/16" - 14
66	10-19600	Locknut, 5/8" - 11
67	10-19274	self-tapping screw, #14 x 5/8", with washerhead
68	10-19224	Woodruff key, 1/4" x 1"
69	10-17179	3/8" Plug
70	10-19225	Set screw, 3/8" - 16 x 3/8"
71	10-17383	Grip clip
72	10-19333	Cable clamp, 5/16"
73	10-17181	Clevis pin
74	10-17167	Gasket for 1" flangette bearing
75	10-17168	Gasket for 1-1/4" flangette bearing
76	10-27863	Upper cable attach bracket (WR80 - 46 Only)
77	10-19536	short crossmember
78	10-19589	bolt, 1/2" - 13 x 1-1/2", grade 5
79	10-19981	bolt, 7/16" - 14 x 1-3/4", grade 5
80	10-19599	locknut, 1/2" -13
81	10-18916	stabilizer brace
82	10-18909	stabilizer bracket
83	10-19686	Basic carton
84	10-18698	7/16" x 1-1/4" NC Bolt Gr8 Pltd



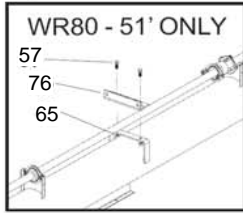
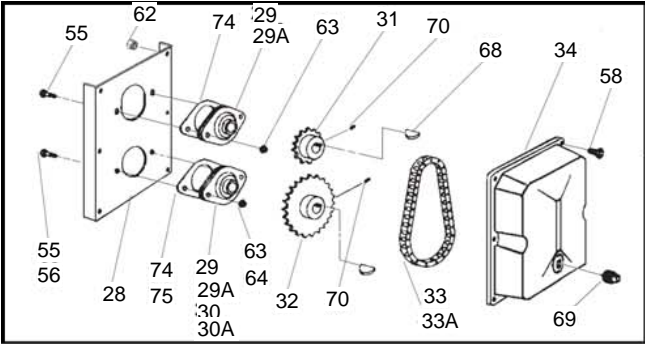
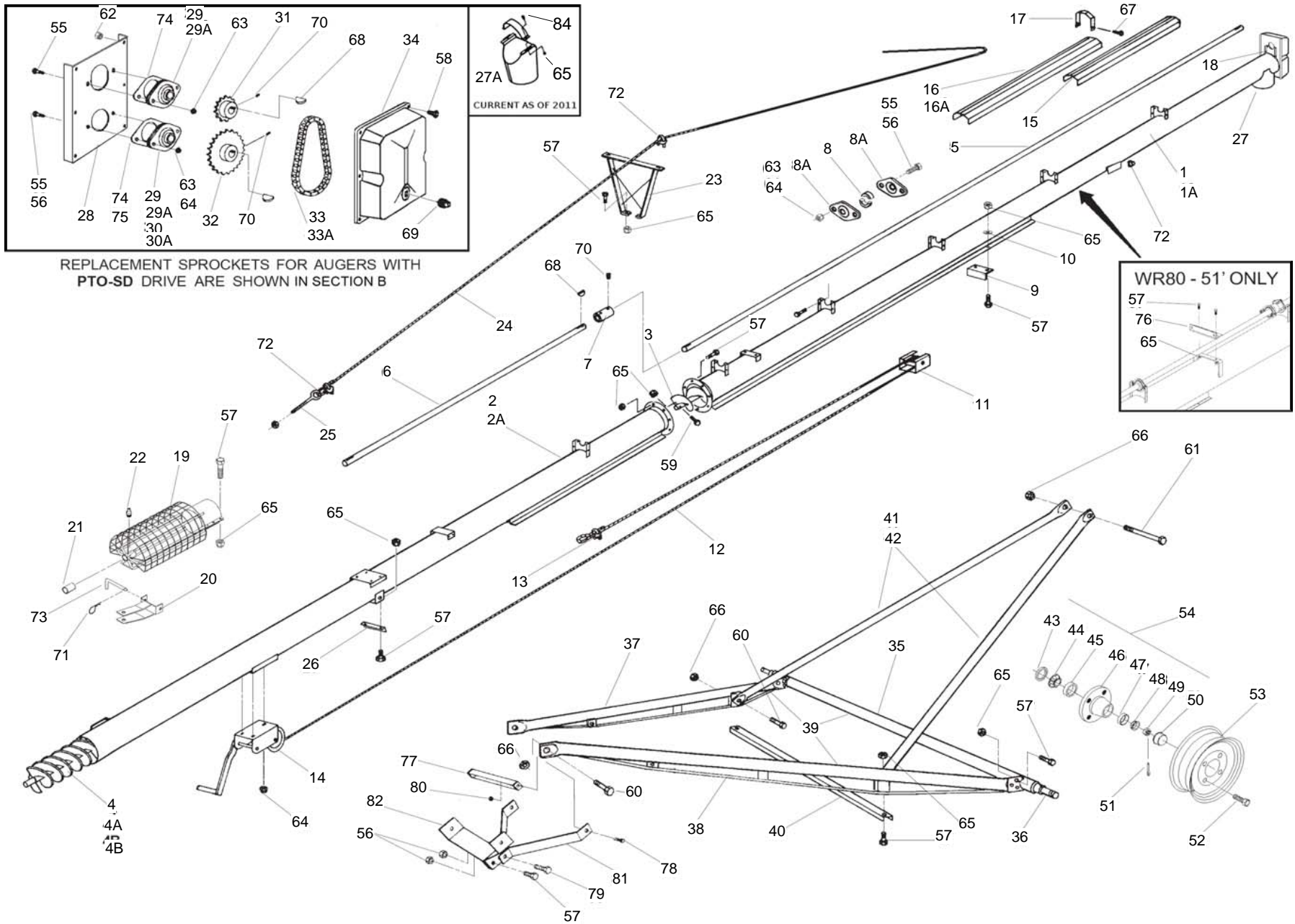
WR60 51 BASIC AUGER

ITEM	PART NO.	DESCRIPTION
1	10-17191	Upper tube sect. w/driveshaft, housing
1A	10-17192	Upper tube bundle, as shipped
2	10-17193	Lower tube section
2A	10-17196	Lower tube bundle, as shipped
3	10-19006	Upper flight section
4	10-17081	Lower flight section
4A	10-19083	20" Weld-on crimped intake flight
4B	10-17532	Slip on intake flight (1998 & later)
5	10-18700	Upper driveshaft, 1" x 24' 2" long
6	10-17188	Lower driveshaft, 1" x 9' 2" long
7	10-19119	Driveshaft connector
8	10-18692	1" Split hardwood bearing, (2 halves)
8A	10-18694	1" Bearing flange, single, 2 bolt
9	10-18762	Angle track stop
10	10-17182	Track washer, 7/16"
11	10-18763	Roller track shoe
12	10-19250	1/4" Cable, 47' long
13	10-19147	1/4" Cable clamp
14	10-19152	Winch, 5:1 ratio
15	10-19254	Driveshaft shield, 42" long
16	10-19255	Driveshaft shield, 48" long
16A	10-18829	Driveshaft shield, 60" long
17	10-19256	Shield tie-down strap
18	10-19257	Upper shield attach bracket
19	10-19019	Intake hitch w/shield, bushing
20	10-17123	Clevis, less pin
21	10-19149	1" Bushing
22	10-19222	Press-in grease fitting
23	10-19324	Truss support bracket, low
24	10-18826	5/16" Truss cable, 65' long
25	10-19331	Eye bolt w/nut
26	10-19332	Truss attach angle
27	10-19020	Weld-on spout
28	10-17170	Upper drive housing
29	10-19321	1" Flangette bearing, 2 bolt w/flanges
29A	10-18817	1" Bearing, less flanges
31	10-19131	Upper sprocket, 14 tooth
32	10-19132	Lower sprocket, 25 tooth
33	10-19015	Roller chain w/connector
33A	10-19134	Roller chain connector only
34	10-17157	Housing cover
35	10-19340	Axle w/spindles, nuts, cotter pins
36	10-19263	Spindle, weld-on
37	10-19354	Lower reach tube, left
38	10-19355	Lower reach tube, right
39	10-19367	Lower reach frame bundle, as shipped
40	10-19376	crossmember
41	10-19522	Upper lift tube, left or right, single
42	10-19532	Upper lift bundle, as shipped, ref. #40
43	10-19264	Seal



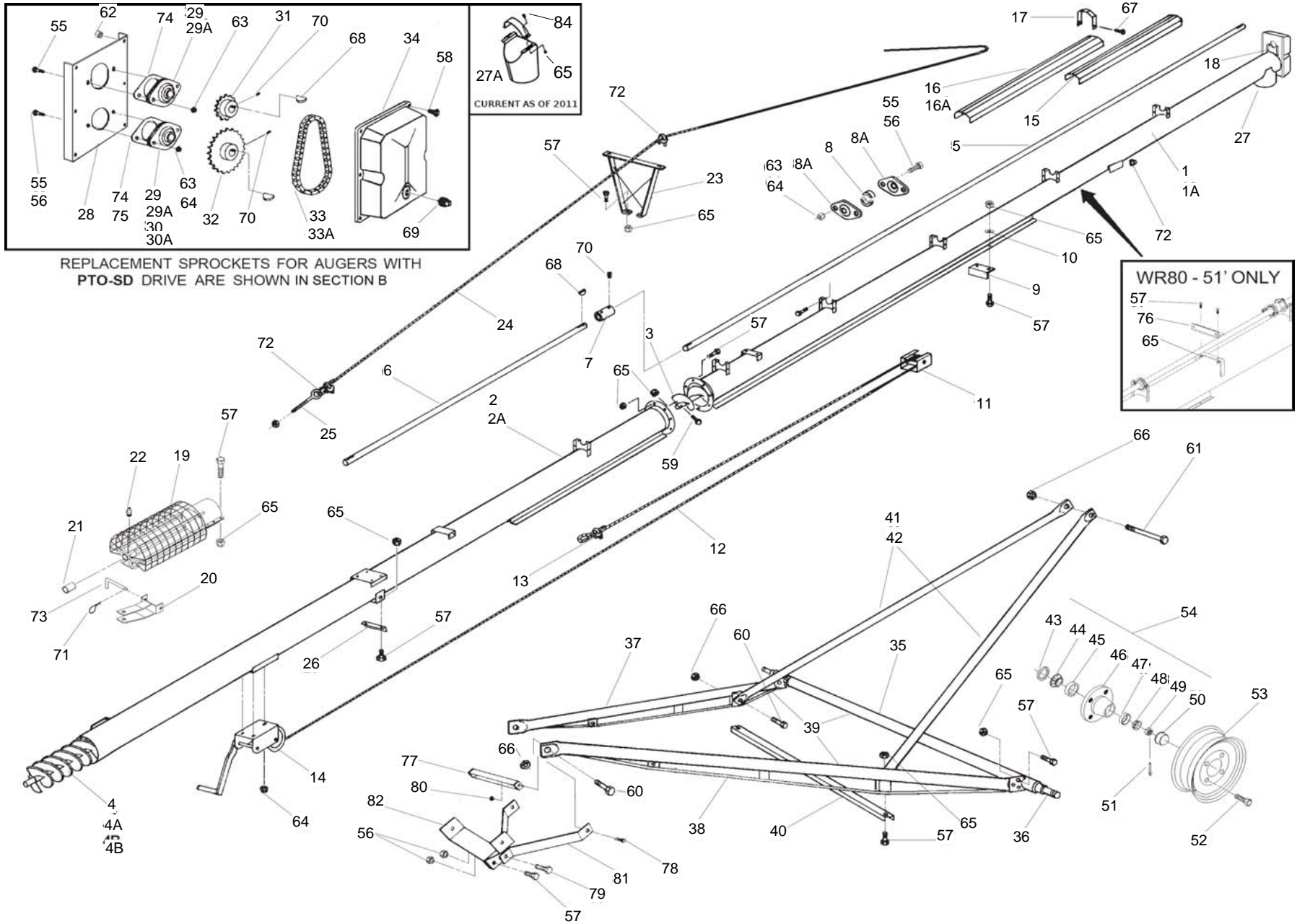
WR60 51 BASIC AUGER

ITEM	PART NO.	DESCRIPTION
44	10-19265	Large bearing, Timken #LM 67048
45	10-19266	Large cup, Timken #LM 67010
46	10-19267	Hub w/cups
47	10-19268	Small cup, Timken #LM 11910
48	10-19269	Small bearing, Timken #LM 11949
49	10-19270	Slotted nut, 3/4" - 16
50	10-19272	Dust cup
51	10-19271	1/8" x 1-1/2" Cotter pin
52	10-19273	Wheel bolt, 1/2" - 20
53	10-19261	15" Wheel, 4 bolt
54	10-19467	Hub assembly, complete
55	10-19538	Bolt, 5/16" - 18 x 3/4", grade 2
57	10-19542	Bolt, 7/16" - 14 x 1", grade 5
58	10-19988	Bolt, 1/4" - 20 x 1", grade 2
60	10-19590	Bolt, 5/8" - 11 x 1-1/2", grade 5
61	10-19591	Bolt, 5/8" - 11 x 6-1/2", grade 5
62	10-19594	Washer locknut, 1/4" - 20
63	10-19595	Washer locknut, 5/16" - 18
64	10-19596	Washer locknut, 3/8" - 16
65	10-19598	Locknut, 7/16" - 14
66	10-19600	Locknut, 5/8" - 11
67	10-19274	self-tapping screw, #14 x 5/8
68	10-19224	Woodruff key, 1/4" x 1
69	10-17179	3/8" Plug
70	10-19225	Set screw, 3/8" - 16 x 3/8
73	10-17181	Clevis pin
74	10-17167	Gasket for 1" flangette bearing
83	10-17082	Basic carton
84	10-18698	7/16" x 1-1/4" NC Bolt Gr8 Pltd



WR70 51 BASIC AUGER

ITEM	PART NO.	DESCRIPTION
1	10-18711	Upper tube sect. w/driveshaft, housing
1A	10-18722	Upper tube bundle, as shipped
2	10-17194	Lower tube section
2A	10-17197	Lower tube bundle, as shipped
3	10-19105	Upper flight section
4	10-19115	Lower flight section
4A	10-19084	20" Weld-on crimped intake flight
4B	10-17533	Slip on intake flight (1998 & later)
5	10-18700	Upper driveshaft, 1" x 24' 2" long
6	10-17188	Lower driveshaft, 1" x 9' 2" long
7	10-19119	Driveshaft connector
8	10-18692	1" Split hardwood bearing, (2 halves)
8A	10-18694	1" Bearing flange, single, 2 bolt
9	10-18762	Angle track stop
10	10-17182	Track washer, 7/16"
11	10-18763	Roller track shoe
12	10-19250	1/4" Cable, 47' long
13	10-19147	1/4" Cable clamp
14	10-19152	Winch, 5:1 ratio
15	10-19254	Driveshaft shield, 42" long
16	10-19255	Driveshaft shield, 48" long
16A	10-18829	Driveshaft shield, 60" long
17	10-19256	Shield tie-down strap
18	10-19257	Upper shield attach bracket
19	10-19192	Intake hitch w/shield, bushing
20	10-17123	Clevis, less pin
21	10-19149	1" Bushing
22	10-19222	Press-in grease fitting
23	10-19324	Truss support bracket, low
24	10-18826	5/16" Truss cable, 65' long
25	10-19331	Eye bolt w/nut
26	10-19332	Truss attach angle
27	10-17155	Weld-on spout
28	10-17171	Upper drive housing
29	10-19321	1" Flangette bearing, 2 bolt w/flanges
29A	10-18817	1" Bearing, less flanges
31	10-19131	Upper sprocket, 14 tooth
32	10-19132	Lower sprocket, 25 tooth
33	10-19133	Roller chain w/connector
33A	10-19134	Roller chain connector only
34	10-17157	Housing cover
35	10-19340	Axle w/spindles, nuts, cotter pins
36	10-19263	Spindle, weld-on
37	10-19354	Lower reach tube, left
38	10-19355	Lower reach tube, right
39	10-19367	Lower reach frame bundle, as shipped
40	10-19376	crossmember
41	10-19522	Upper lift tube, left or right, single
42	10-19532	Upper lift bundle, as shipped, ref. #40
43	10-19264	Seal



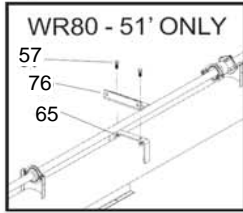
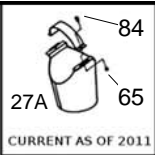
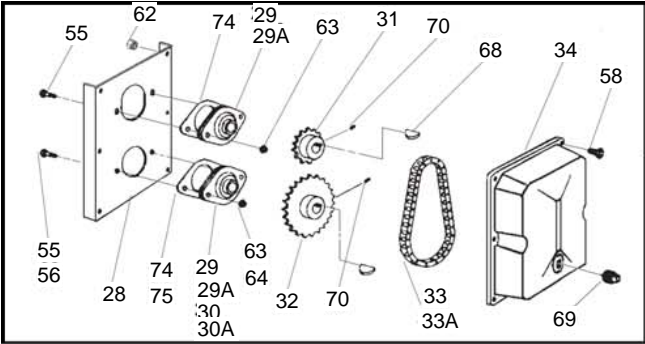
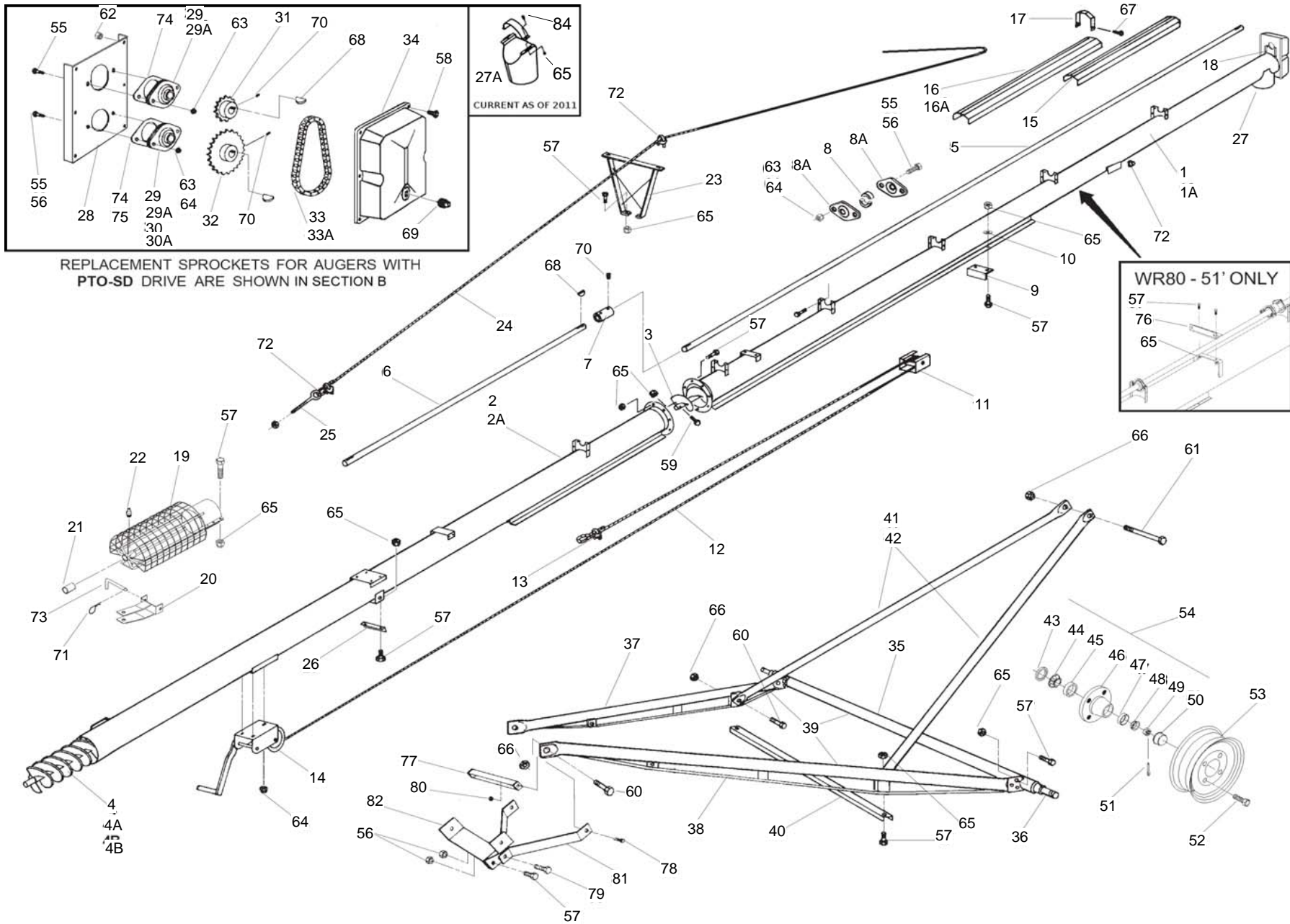
REPLACEMENT SPROCKETS FOR AUGERS WITH PTO-SD DRIVE ARE SHOWN IN SECTION B

CURRENT AS OF 2011

WR80 - 51' ONLY

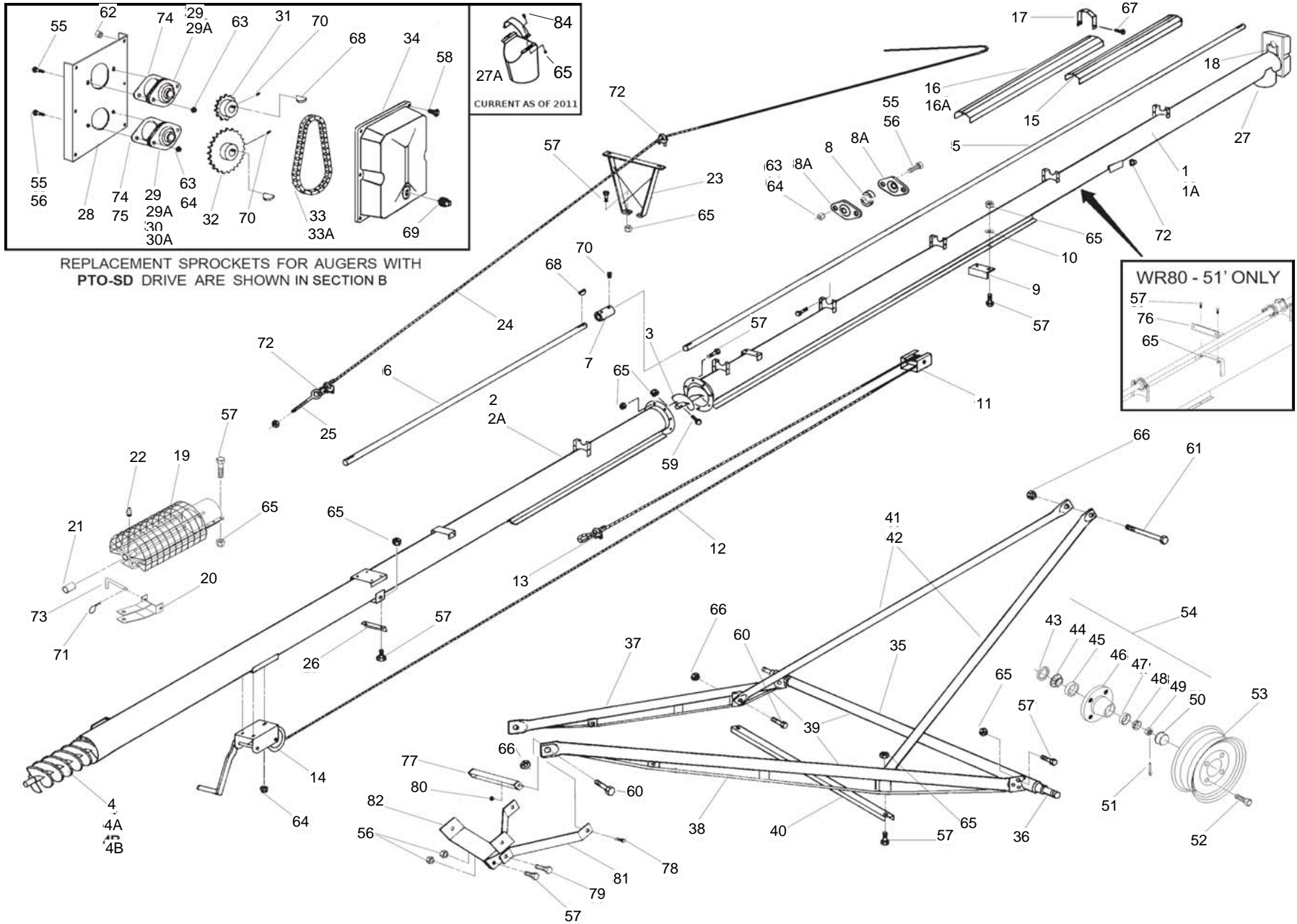
WR70 51 BASIC AUGER

ITEM	PART NO.	DESCRIPTION
44	10-19265	Large bearing, Timken #LM 67048
45	10-19266	Large cup, Timken #LM 67010
46	10-19267	Hub w/cups
47	10-19268	Small cup, Timken #LM 11910
48	10-19269	Small bearing, Timken #LM 11949
49	10-19270	Slotted nut, 3/4" - 16
50	10-19272	Dust cup
51	10-19271	1/8" x 1-1/2" Cotter pin
52	10-19273	Wheel bolt, 1/2" - 20
53	10-19261	15" Wheel, 4 bolt
54	10-19467	Hub assembly, complete
55	10-19538	Bolt, 5/16" - 18 x 3/4", grade 2
57	10-19542	Bolt, 7/16" - 14 x 1", grade 5
58	10-19988	Bolt, 1/4" - 20 x 1", grade 2
60	10-19590	Bolt, 5/8" - 11 x 1-1/2", grade 5
61	10-19591	Bolt, 5/8" - 11 x 6-1/2", grade 5
62	10-19594	Washer locknut, 1/4" - 20
63	10-19595	Washer locknut, 5/16" - 18
64	10-19596	Washer locknut, 3/8" - 16
65	10-19598	Locknut, 7/16" - 14
66	10-19600	Locknut, 5/8" - 11
67	10-19274	self-tapping screw, #14 x 5/8
68	10-19224	Woodruff key, 1/4" x 1
69	10-17179	3/8" Plug
70	10-19225	Set screw, 3/8" - 16 x 3/8
73	10-17181	Clevis pin
74	10-17167	Gasket for 1" flangette bearing
83	10-19681	Basic carton
84	10-18698	7/16" x 1-1/4" NC Bolt Gr8 Pltd



WR80 51 BASIC AUGER

ITEM	PART NO.	DESCRIPTION
1	10-27824	Upper tube sect. w/driveshaft, housing
1A	10-27839	Upper tube bundle, as shipped
2	10-17195	Lower tube section
2A	10-17198	Lower tube bundle, as shipped
3	10-19402	Upper flight section
4	10-19410	Lower flight section
4A	10-19085	20" Weld-on crimped intake flight
4B	10-17534	Slip on intake flight (1998 & later)
5	10-18702	Upper driveshaft, 1-1/4" x 24' long
6	10-17190	Lower driveshaft, 1-1/4" x 13' 10"
7	10-19119	Driveshaft connector
8	10-18693	1-1/4" Split hardwood bearing, (2 halves)
8A	10-18695	1-1/4" Bearing flange, single, 2 bolt
9	10-18762	Angle track stop
10	10-17182	Track washer, 7/16"
11	10-18763	Roller track shoe
12	10-19250	1/4" Cable, 47' long
13	10-19147	1/4" Cable clamp
14	10-19152	Winch, 5:1 ratio
15	10-19254	Driveshaft shield, 42" long
16	10-19255	Driveshaft shield, 48" long
16A	10-18829	Driveshaft shield, 60" long
17	10-19256	Shield tie-down strap
18	10-19257	Upper shield attach bracket
19	10-19398	Intake hitch w/shield, bushing
20	10-17123	Clevis, less pin
21	10-19149	1" Bushing
22	10-19222	Press-in grease fitting
23	10-19324	Truss support bracket, low
24	10-18826	5/16" Truss cable, 65' long
25	10-19331	Eye bolt w/nut
26	10-19332	Truss attach angle
27	10-17156	Weld-on spout
27A	10-29306	strap-on outlet
28	10-17172	Upper drive housing
29	10-19321	1" Flangette bearing, 2 bolt w/flanges
29A	10-18817	1" Bearing, less flanges
30	10-19322	1-1/4" Flangette bearing, 2 bolt w/flanges
30A	10-18853	1-1/4" Bearing, less flanges
31	10-19430	Upper sprocket, 14 tooth
32	10-19431	Lower sprocket, 25 tooth
33	10-19432	Roller chain w/connector
33A	10-19433	Roller chain connector only
34	10-17158	Housing cover
35	10-19340	Axle w/spindles, nuts, cotter pins
36	10-19263	Spindle, weld-on
37	10-19354	Lower reach tube, left
38	10-19355	Lower reach tube, right
39	10-19367	Lower reach frame bundle, as shipped
40	10-19376	crossmember



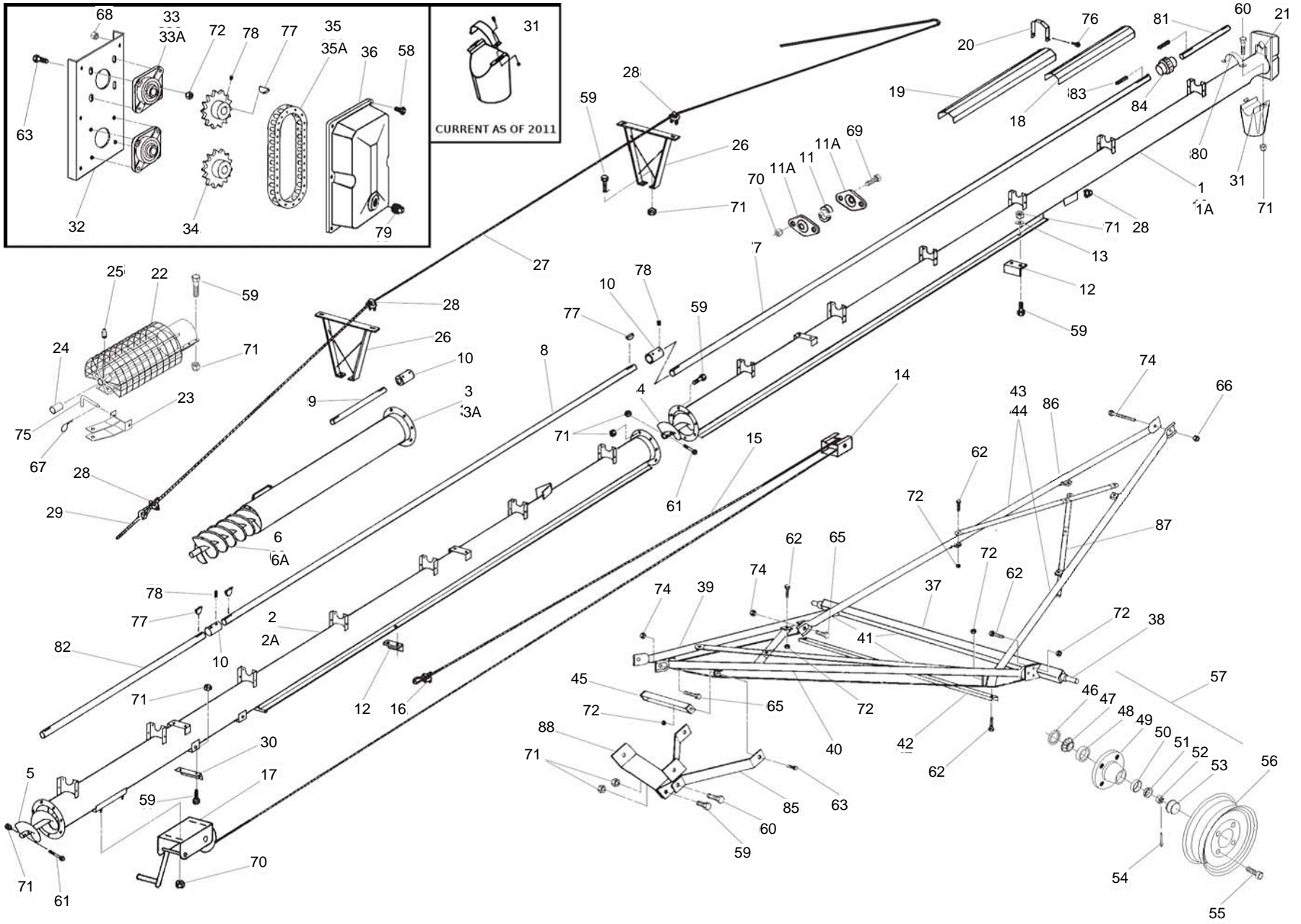
REPLACEMENT SPROCKETS FOR AUGERS WITH PTO-SD DRIVE ARE SHOWN IN SECTION B

CURRENT AS OF 2011

WR80 - 51' ONLY

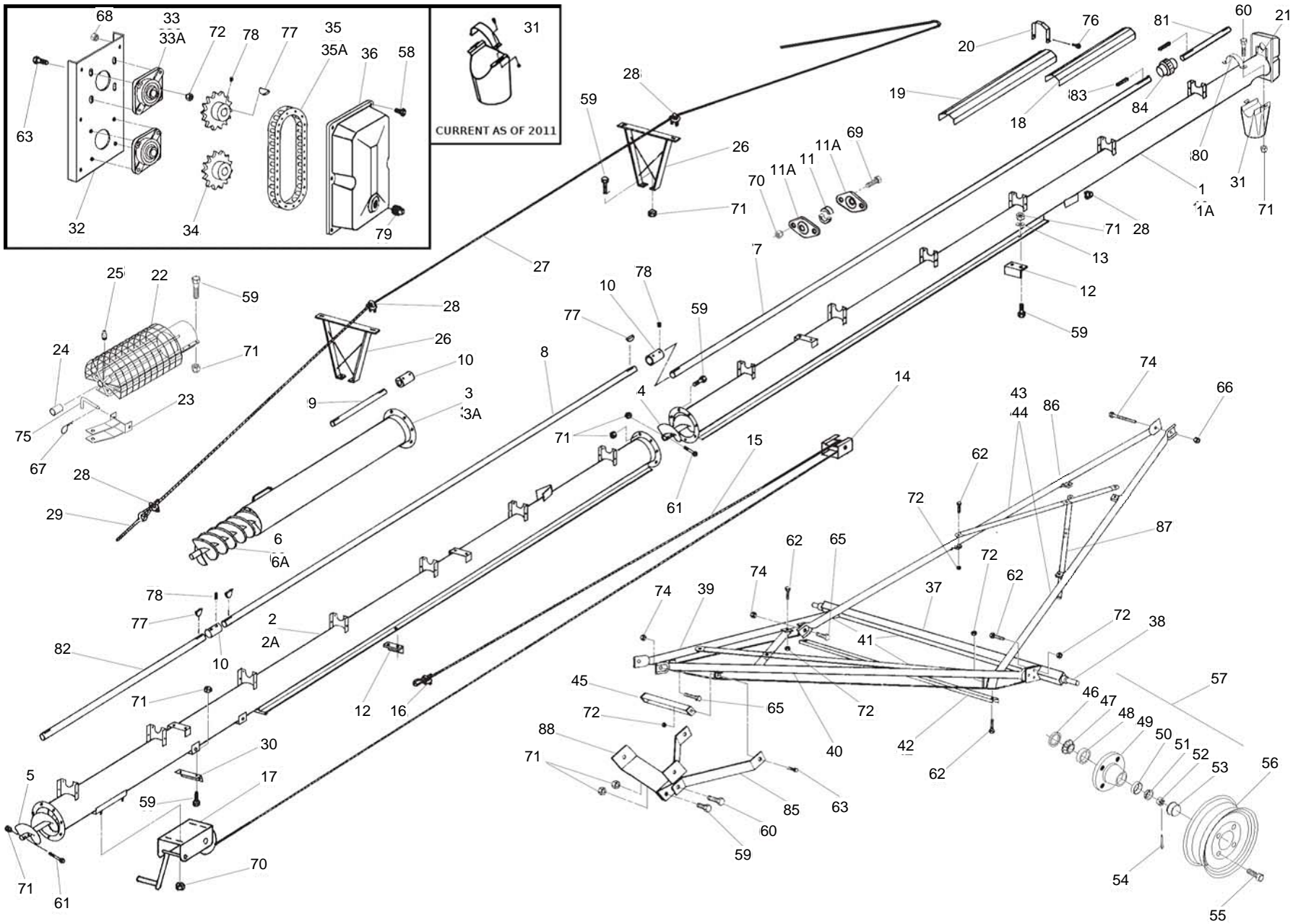
WR80 51 BASIC AUGER

ITEM	PART NO.	DESCRIPTION
41	10-19522	Upper lift tube, left or right, single
42	10-19532	Upper lift bundle, as shipped, ref. #40
43	10-19264	Seal
44	10-19265	Large bearing, Timken #LM 67048
45	10-19266	Large cup, Timken #LM 67010
46	10-19267	Hub w/cups
47	10-19268	Small cup, Timken #LM 11910
48	10-19269	Small bearing, Timken #LM 11949
49	10-19270	Slotted nut, 3/4" - 16
50	10-19272	Dust cup
51	10-19271	1/8" x 1-1/2" Cotter pin
52	10-19273	Wheel bolt, 1/2" - 20
53	10-19261	15" Wheel, 4 bolt
54	10-19467	Hub assembly, complete
55	10-19538	Bolt, 5/16" - 18 x 3/4", grade 2
56	10-19540	Bolt, 3/8" - 16 x 3/4" grade 2
57	10-19542	Bolt, 7/16" - 14 x 1", grade 5
58	10-19988	Bolt, 1/4" - 20 x 1", grade 2
59	10-19545	Bolt, 7/16" - 14 x 2-1/4", grade 8
60	10-19590	Bolt, 5/8" - 11 x 1-1/2", grade 5
61	10-19591	Bolt, 5/8" - 11 x 6-1/2", grade 5
62	10-19594	Washer locknut, 1/4" - 20
63	10-19595	Washer locknut, 5/16" - 18
64	10-19596	Washer locknut, 3/8" - 16
65	10-19598	Locknut, 7/16" - 14
66	10-19600	Locknut, 5/8" - 11
67	10-19274	self-tapping screw, #14 x 5/8
68	10-19224	Woodruff key, 1/4" x 1
69	10-17179	3/8" Plug
70	10-19225	Set screw, 3/8" - 16 x 3/8
73	10-17181	Clevis pin
74	10-17167	Gasket for 1" flangette bearing
75	10-17168	Gasket for 1-1/4" flangette bearing
76	10-27863	Upper cable attach bracket (WR80 - 51 Only)
77	10-19536	short crossmember
78	10-19589	bolt, 1/2" - 13 x 1-1/2", gr 5
79	10-19981	bolt, 7/16" - 14 x 1-3/4", grade 5
80	10-19599	locknut, 1/2" -13
81	10-18916	stabilizer brace
82	10-18909	stabilizer bracket
83	10-19687	Basic carton
84	10-18698	7/16" x 1-1/4" NC Bolt Gr8 Pltd



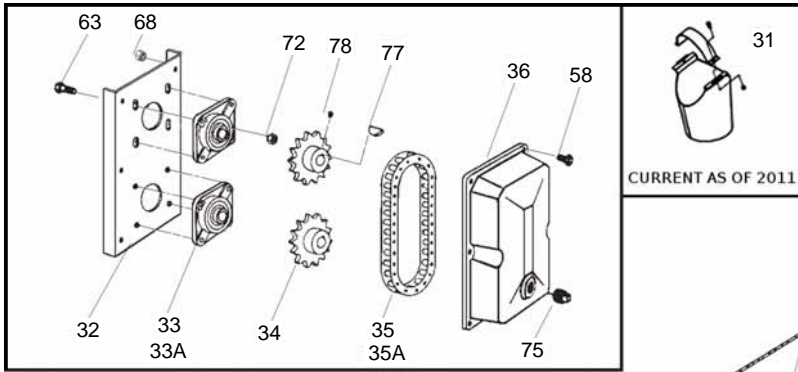
WR80 56 BASIC AUGER

ITEM	PART NO.	DESCRIPTION
1	10-17199	Upper tube section w/driveshaft, housing
1A	10-17200	Upper tube bundle, as shipped
2	10-17201	Center tube section w/driveshaft
2A	10-17202	Center tube bundle, as shipped
3	10-19051	Lower tube section
3A	10-19080	Lower tube bundle, as shipped
4	10-19402	Upper flight section
5	10-19552	Center flight section
6	10-19393	Lower flight section
6A	10-19085	20" weld-on crimped intake flight
6B	10-17534	Slip on intake flight (1998 & later)
7	10-19808	Upper driveshaft, 21' 1" long
8	10-19994	Center driveshaft, 18' 9" long
9	10-19120	Lower driveshaft, 1' 3" long
10	10-19119	Driveshaft connector
11	10-18693	1-1/4" split hardwood bearing, set of 2 halves
11A	10-18695	1-1/4" bearing flanges, single, 2 bolt
12	10-18762	Angle track stop
13	10-17182	Track washer, 7/16"
14	10-17203	Roller track shoe
15	10-19252	1/4" Cable, 65' 6" long
16	10-19147	1/4" Cable clamp
17	10-19569	Winch, 15:1 ratio
18	10-19254	Driveshaft shield, 42" long
19	10-19255	Driveshaft shield, 48" long
20	10-19256	Shield tie-down strap
21	10-19773	Upper shield attach bracket
22	10-19398	Intake hitch w/shield, bushing, grease fitting
23	10-17123	Clevis, less pin
24	10-19149	1" BUSHING
25	10-19222	Press-in grease fitting
26	10-19324	Truss support bracket, low
27	10-17165	5/16" Truss cable, 77' 6" long
28	10-19333	5/16" Cable clamp
29	10-19331	Eye bolt w/nut
30	10-18031	Truss attach angle
31	10-29306	Strap-on spout
32	10-17204	Upper drive housing
33	10-19567	1-1/4" Bearing, w/4 bolt flange
33A	10-18852	1-1/4" Bearing, less flange
34	10-19564	Sprocket, 80 B14
35	10-19565	Roller chain w/connector
35A	10-19323	Roller chain connector only
36	10-17159	Housing cover
37	10-19342	Axle w/spindles, nuts, cotter pins
38	10-19263	Spindle, weld-on
39	10-19358	Lower reach tube, left
40	10-19359	Lower reach tube, right
41	10-19369	Lower reach frame bdl. as shipped, incl. #87
42	10-19378	crossmember

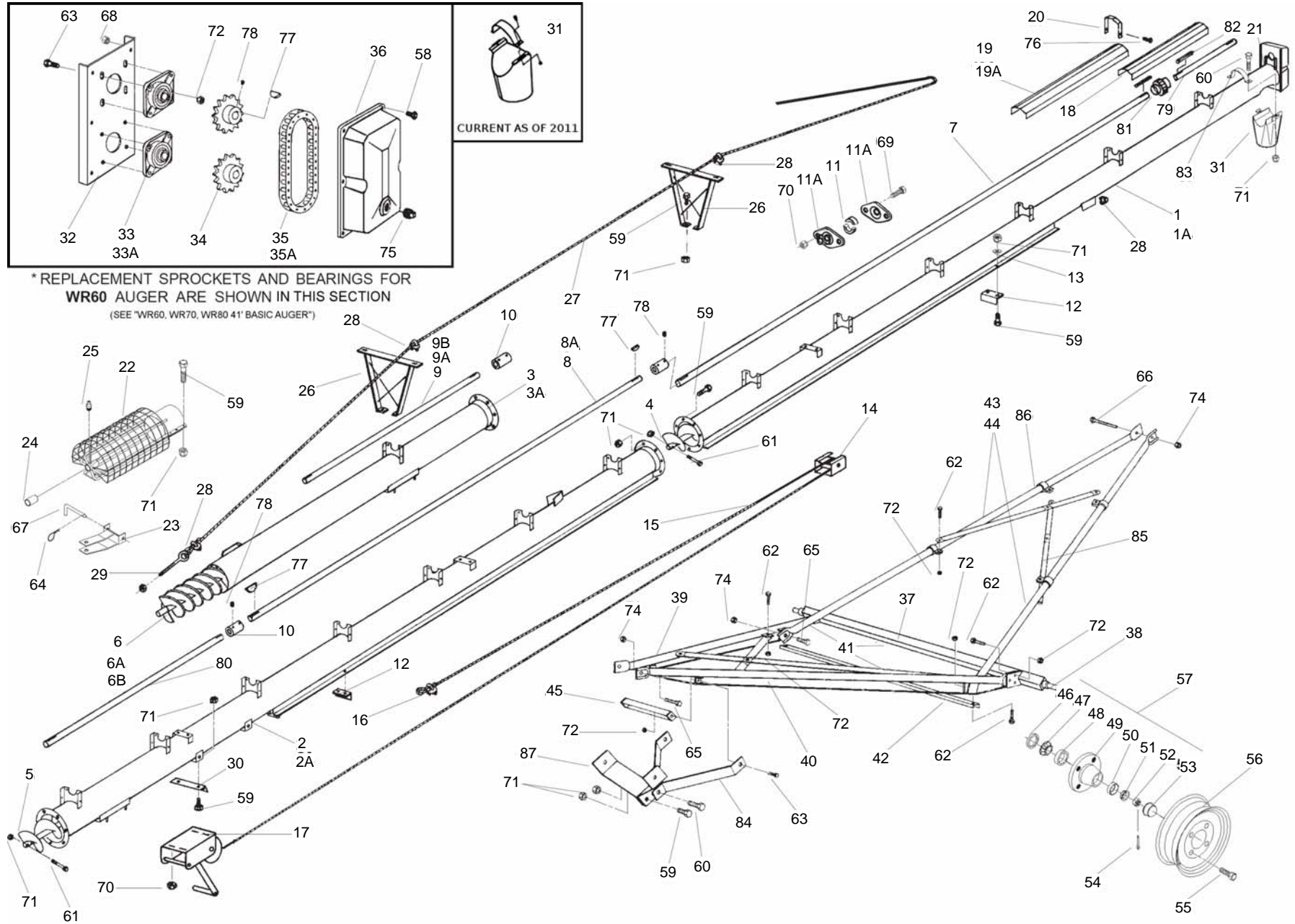


WR80 56 BASIC AUGER

ITEM	PART NO.	DESCRIPTION
43	10-19524	Upper lift tube left or right, single
44	10-19534	Upper lift bundle, as shipped, includes Ref. #42
45	10-18914	Short crossmember, 2 bolt
46	10-19264	Seal
47	10-19265	Large bearing, Timken #LM 67048
48	10-19266	Large cup, Timken #LM 67010
49	10-19267	Hub w/cups
50	10-19268	Small cup, Timken #LM 11910
51	10-19269	Small bearing, Timken #LM 11949
52	10-19270	Slotted nut, 3/4" - 16
53	10-19272	Dust cap
54	10-19271	Cotter pin, 1/8" x 1-1/2"
55	10-19273	Wheel bolt, 1/2" - 20 x 1"
56	10-19261	Wheel, 15", 4 bolt
57	10-19467	Hub assembly, complete
58	10-19988	Bolt, 1/4" - 20 x 1", grade 2
59	10-19542	Bolt, 7/16" - 14 x 1", grade 5
60	10-19981	Bolt, 7/16" - 14 x 1-3/4", grade 5
61	10-19545	Bolt, 7/16" - 14 x 2-1/4", grade 8
62	10-19588	Bolt, 1/2" - 13 x 1-1/4", grade 5
63	10-19589	Bolt, 1/2" - 13 x 1-1/2", grade 2
64	10-19590	Bolt, 5/8" - 11 x 1-1/2", grade 5
65	10-19592	Bolt, 3/4" - 10 x 2", grade 5
66	10-19593	Bolt, 3/4" - 10 x 6-1/2", grade 5
67	10-17383	Grip clip
68	10-19594	Washer locknut, 1/4" - 20
69	10-19540	Bolt, 3/8" - 16 x 3/4", grade 2
70	10-19596	Washer-locknut, 3/8" -16
71	10-19598	Locknut, 7/16" - 14
72	10-19599	Locknut, 1/2" - 13
73	10-19600	Locknut, 5/8" - 11
74	10-19601	Locknut, 3/4" - 10
75	10-17181	Clevis pin
76	10-19274	self-tapping screw, #14 x 5/8", w/washerhead
77	10-19224	Woodruff key, 1/4" x 1"
78	10-19225	Set screw, 3/8" - 16 x 3/8"
79	10-17179	3/8" Plug
80	10-19460	Tube halfband
81	10-19807	Upper driveshaft, 4' 0" section
82	10-19419	Center driveshaft, 6' 4" section
83	10-19606	Square key, 1/4" x 1-1/2"
84	10-19771	Chain flex connector
85	10-18916	Stabilizer brace, single
87	10-19796	Single crossbrace
88	10-18909	Stabilizer bracket, single
89	10-19688	Basic carton

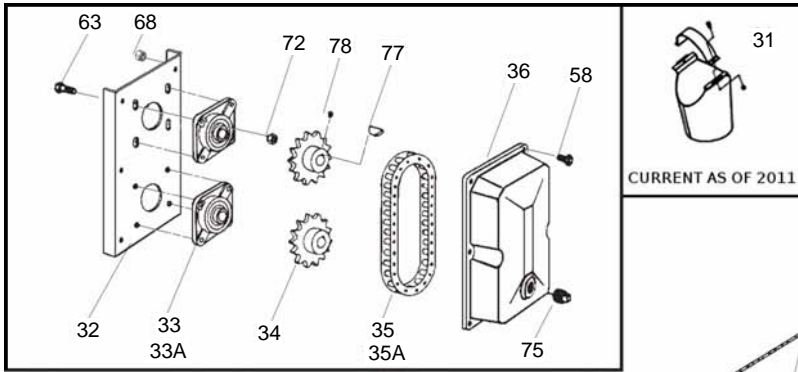


*REPLACEMENT SPROCKETS AND BEARINGS FOR WR60 AUGER ARE SHOWN IN THIS SECTION (SEE "WR60, WR70, WR80 41" BASIC AUGER")

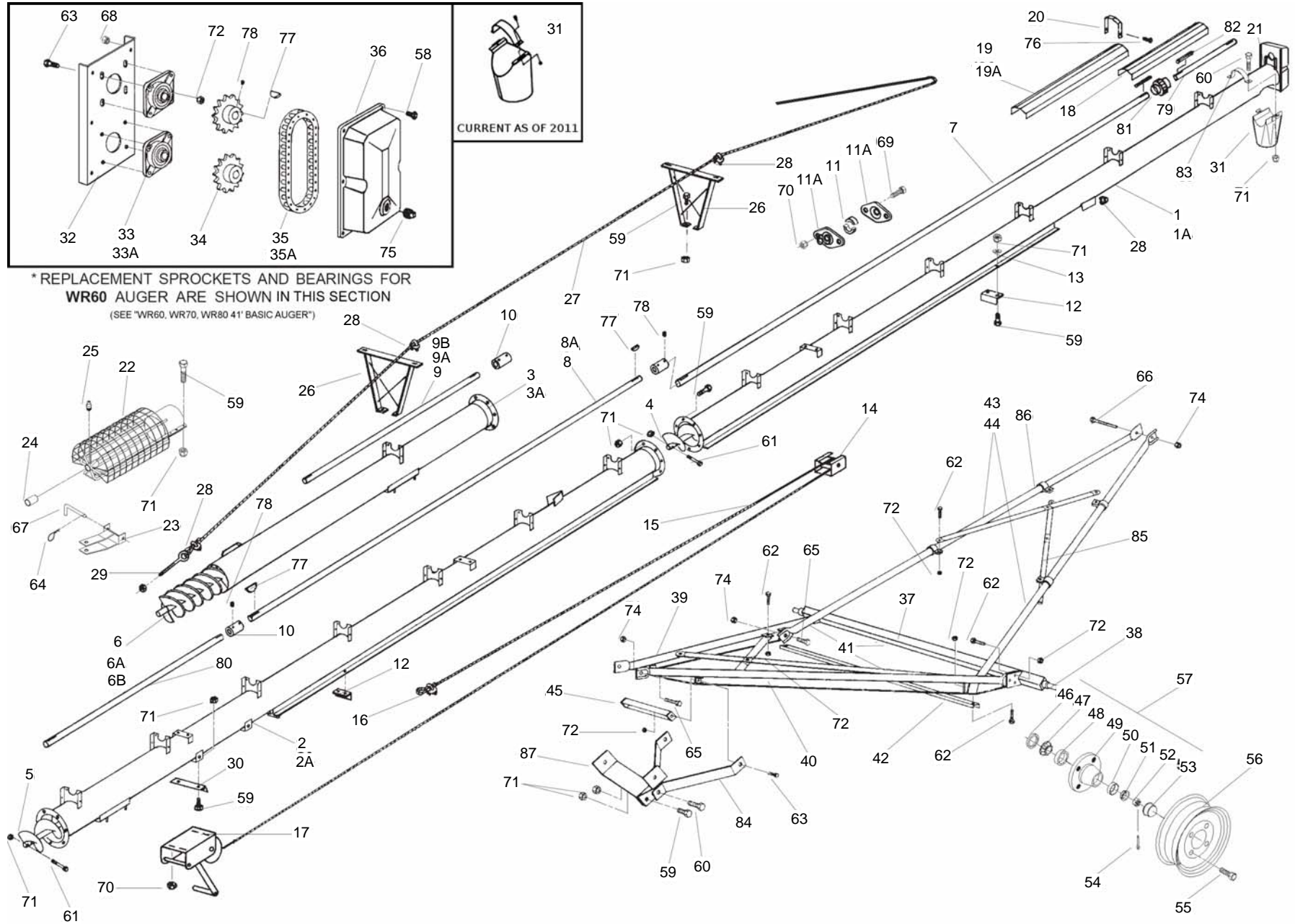


WR60 61 BASIC AUGER

ITEM	PART NO.	DESCRIPTION
1	10-17191	Upper tube section w/driveshaft, housing
1A	10-17192	Upper tube bundle, as shipped
2	10-17205	Center tube section w/driveshaft
2A	10-17206	Center tube bundle, as shipped
3	10-17089	Lower tube section
3A	10-17090	Lower tube bundle, as shipped
4	10-19006	Upper flight section
5	10-17091	Center flight section
6	10-19011	Lower flight section
6A	10-19083	20" Weld-on crimped intake flight
6B	10-17532	Slip on intake flight (1998 & later)
7	10-18700	Upper driveshaft, 21' 1" section (WR60 - 24' 2")
8A	10-17207	Center driveshaft, 19' 3" long
9A	10-17188	Lower driveshaft, 9' 2" long
9B	10-19628	Lower driveshaft, 4' 9" long
10	10-19119	Driveshaft connector
11	10-18692	1" split hardwood bearing, set of 2 halves
11A	10-18694	1" bearing flange, single, 2 bolt
12	10-18762	Angle track stop
13	10-17182	Track washer, 7/16"
14	10-18763	Roller track shoe
15	10-19252	1/4" Cable, 65' 6" long
16	10-19147	1/4" Cable clamp
17	10-19152	Winch
18	10-19254	Driveshaft shield, 42" long
19	10-19255	Driveshaft shield 48" long
19A	10-18829	Driveshaft shield, 60" long
20	10-19256	Shield tie-down strap
21	10-19257	Upper shield attach bracket
22	10-19019	Intake hitch w/shield, bushing, grease fitting
23	10-17123	Clevis, less pin
24	10-19149	1" BUSHING
25	10-19222	Press-in grease fitting
26	10-19324	Truss support bracket, low
27	10-18855	5/16" Truss cable, 77' 6" long (WR60 - 98')
28	10-19333	5/16" Cable clamp
29	10-19331	Eye bolt with nut
30	10-19332	Truss attach angle
32	10-17170	Upper drive housing
35	10-19015	Roller chain with connector
35A	10-19134	Roller chain connector only
36	10-17157	Housing cover
37	10-19342	Axle w/spindles, nuts, cotter pins
38	10-19263	Spindle, weld-on
39	10-19358	Lower reach tube, left
40	10-19359	Lower reach tube, right
41	10-19369	Lower reach frame bundle as shipped, incl. #85
42	10-19378	Cross member
43	10-19524	Upper lift tube, left or right, single
44	10-19534	Upper lift bundle, as shipped, (incl. Ref. #42)

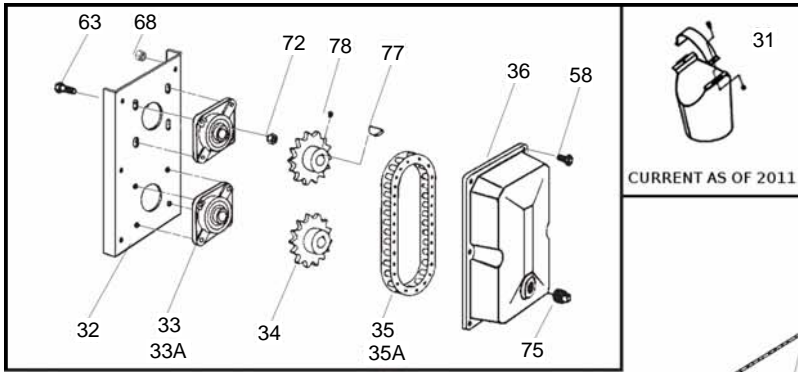


*REPLACEMENT SPROCKETS AND BEARINGS FOR WR60 AUGER ARE SHOWN IN THIS SECTION (SEE "WR60, WR70, WR80 41" BASIC AUGER")

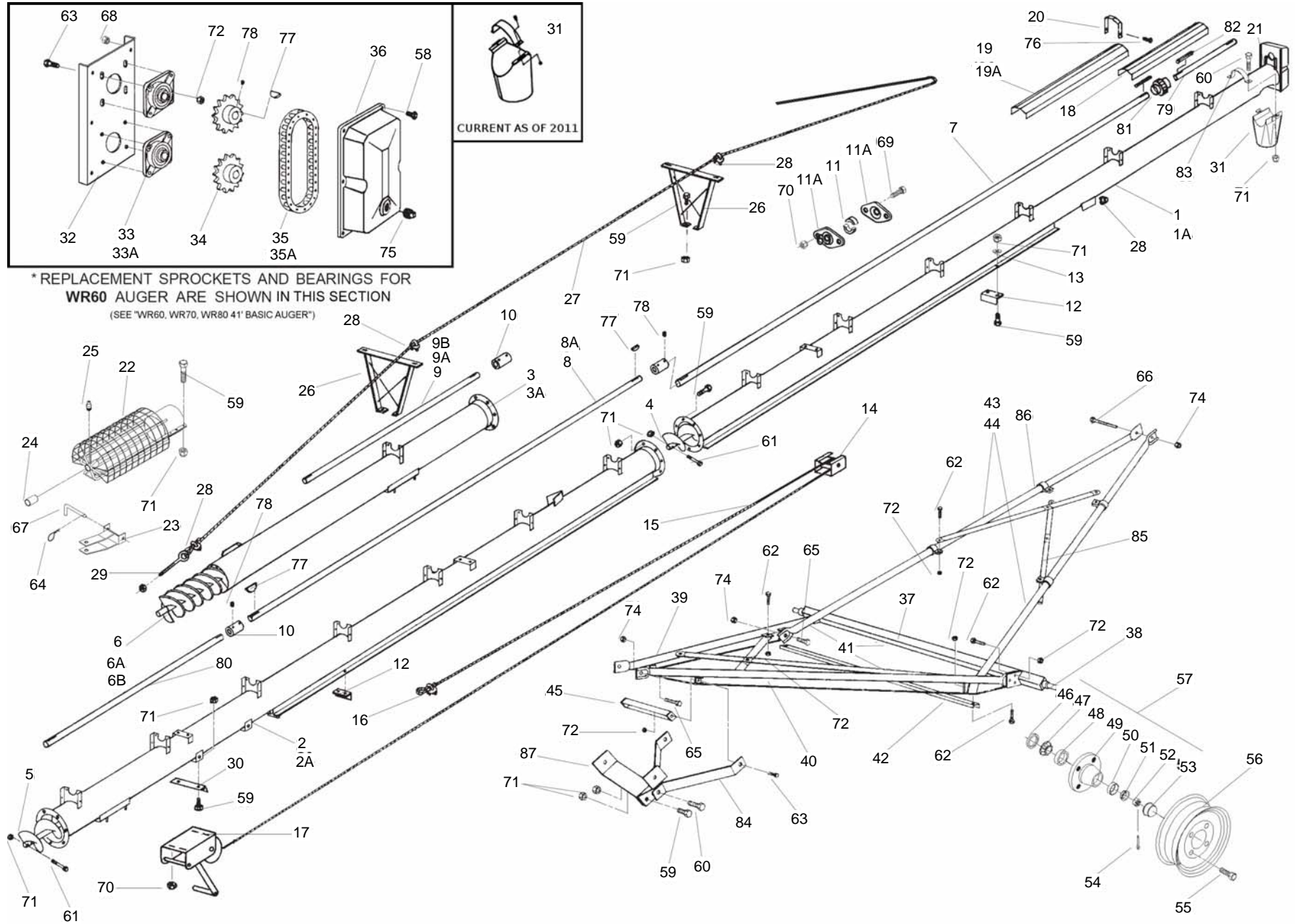


WR60 61 BASIC AUGER

ITEM	PART NO.	DESCRIPTION
45	10-19536	SHORT CROSSMEMBER, 2 BOLT
46	10-19264	Seal
47	10-19265	Large bearing, Timken #LM67048
48	10-19266	Large cup, Timken #LM67010
49	10-19267	Hub w/cups
50	10-19268	Small cup, Timken #LM11910
51	10-19269	Small bearing, Timken #LM11949
52	10-19270	Slotted nut, 3/4" - 16
53	10-19272	Dust cap
54	10-19271	Cotter pin, 1/8" x 1-1/2"
55	10-19273	Wheel bolt, 1/2" - 20 x 1"
56	10-19261	Wheel, 15", 4 bolt
57	10-19467	Hub assembly, complete
58	10-19988	Bolt, 1/4" - 20 x 1", grade 2
59	10-19542	Bolt, 7/16" - 14 x 1", grade 5
62	10-19588	Bolt, 1/2" - 13 x 1-1/4", grade 5
64	10-17383	Grip clip
65	10-19592	Bolt, 3/4" - 10 x 2", grade 5
66	10-19593	Bolt 3/4" - 10 x 6-1/2", grade 5
67	10-17181	Clevis pin
68	10-19594	Washer locknut, 1/4" - 20
71	10-19598	Locknut, 7/16" - 14
72	10-19599	Locknut, 1/2" - 13
73	10-19600	Locknut, 5/8" - 11
74	10-19601	Locknut, 3/4" - 10
75	10-17179	3/8" Plug
76	10-19274	Selftapping screw, #14 x 5/8", with washerhead
77	10-19224	Woodruff key, 1/4" x 1"
78	10-19225	Set screw, 3/8" - 16 x 3/8"
84	10-18916	Stabilizer brace, single
85	10-19796	Single cross brace
86	10-19797	Tube clamp
87	10-18909	Stabilizer bracket, single
88	10-17092	Basic carton

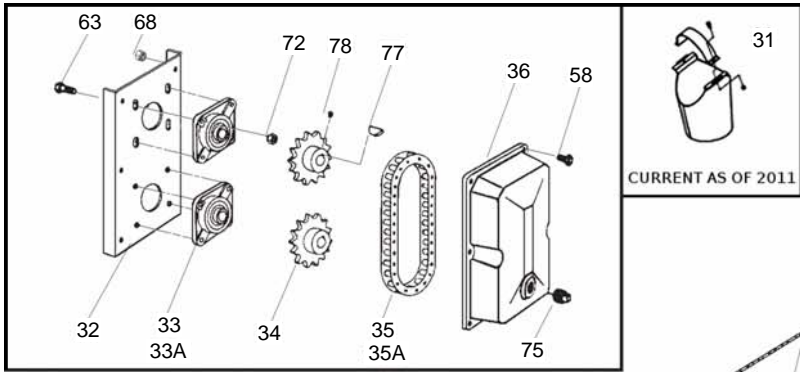


*REPLACEMENT SPROCKETS AND BEARINGS FOR WR60 AUGER ARE SHOWN IN THIS SECTION
(SEE "WR60, WR70, WR80 41' BASIC AUGER")

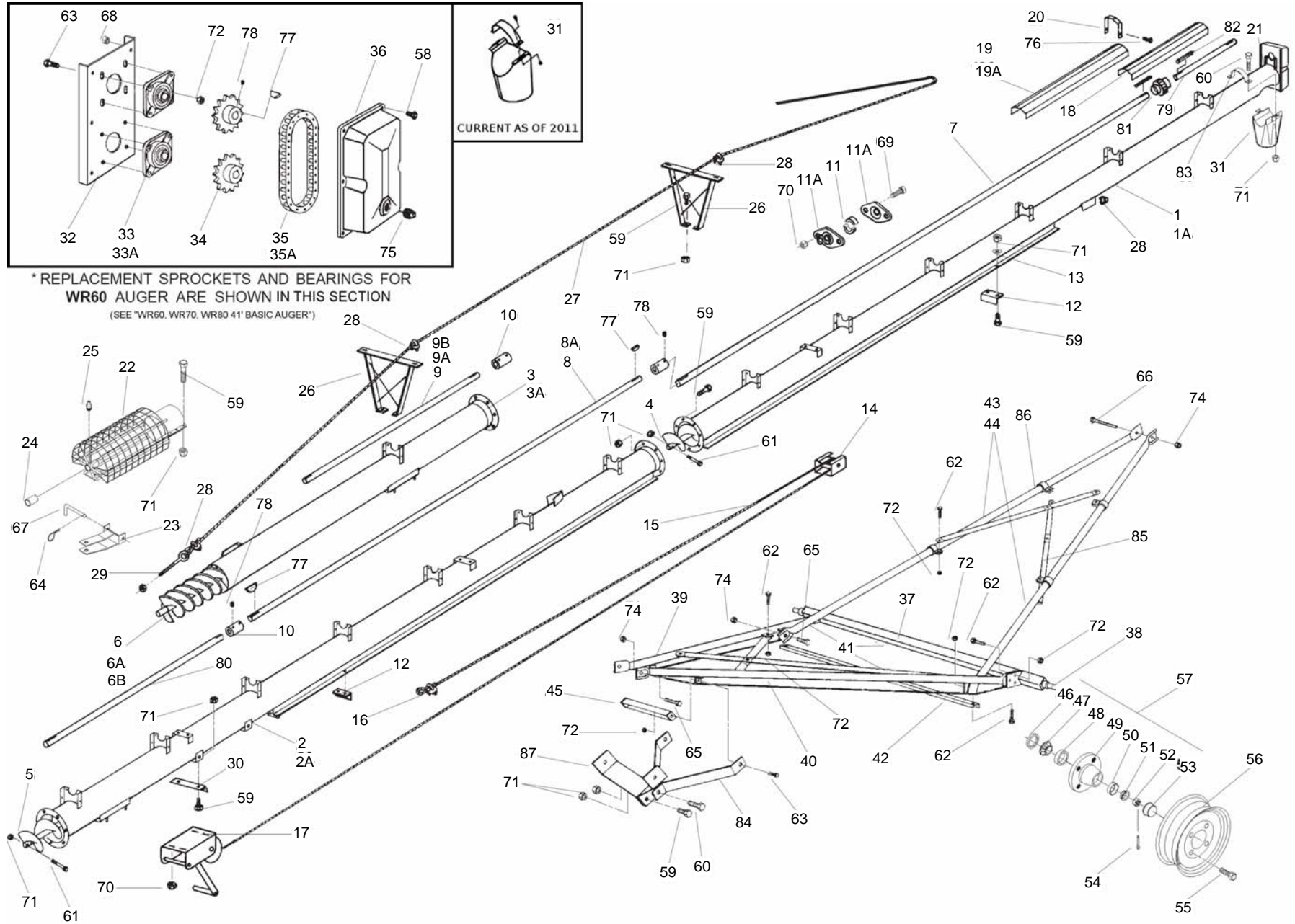


WR80 61 BASIC AUGER

ITEM	PART NO.	DESCRIPTION
1	10-17199	Upper tube section w/driveshaft, housing
1A	10-17200	Upper tube bundle, as shipped
2	10-17201	Center tube section w/driveshaft
2A	10-17202	Center tube bundle, as shipped
3	10-19052	Lower tube section
3A	10-19081	Lower tube bundle, as shipped
4	10-19402	Upper flight section
5	10-19552	Center flight section
6	10-19407	Lower flight section
6A	10-19085	20" weld-on crimped intake flight
6B	10-17534	Slip on intake flight (1998 & later)
7	10-19808	Upper driveshaft, 21' 1" section (WR60 - 24' 2")
8	10-19994	Center driveshaft, 18' 9" section
9	10-19419	Lower driveshaft, 6' 4" long
10	10-19119	Driveshaft connector
11	10-18693	1-1/4" split hardwood bearing, set of 2 halves
11A	10-18695	1-1/4" bearing flange, single, 2 bolt
12	10-18762	Angle track stop
13	10-17182	Track washer, 7/16"
14	10-17203	Roller track shoe
15	10-19252	1/4" Cable, 65' 6" long
16	10-19147	1/4" Cable clamp
17	10-19569	Winch
18	10-19254	Driveshaft shield, 42" long
19	10-19255	Driveshaft shield 48" long
20	10-19256	Shield tie-down strap
21	10-19773	Upper shield attach bracket
22	10-19398	Intake hitch w/shield, bushing, grease fitting
23	10-17123	Clevis, less pin
24	10-19149	1" BUSHING
25	10-19222	Press-in grease fitting
26	10-19324	Truss support bracket, low
27	10-17165	5/16" Truss cable, 77' 6" long (WR60 - 98')
28	10-19333	5/16" Cable clamp
29	10-19331	Eye bolt with nut
30	10-18031	Truss attach angle
31	10-29306	Strap-on spout
32	10-17204	Upper drive housing
33	10-19567	1-1/4" Bearing, w/4 bolt flange
33A	10-18852	1-1/4" Bearing, less flange
34	10-19564	Sprocket, 80 B 14
35	10-19565	Roller chain with connector
35A	10-19323	Roller chain connector only
36	10-17159	Housing cover
37	10-19342	Axle w/spindles, nuts, cotter pins
38	10-19263	Spindle, weld-on
39	10-19358	Lower reach tube, left
40	10-19359	Lower reach tube, right
41	10-19369	Lower reach frame bundle as shipped, incl. #85
42	10-19378	Cross member

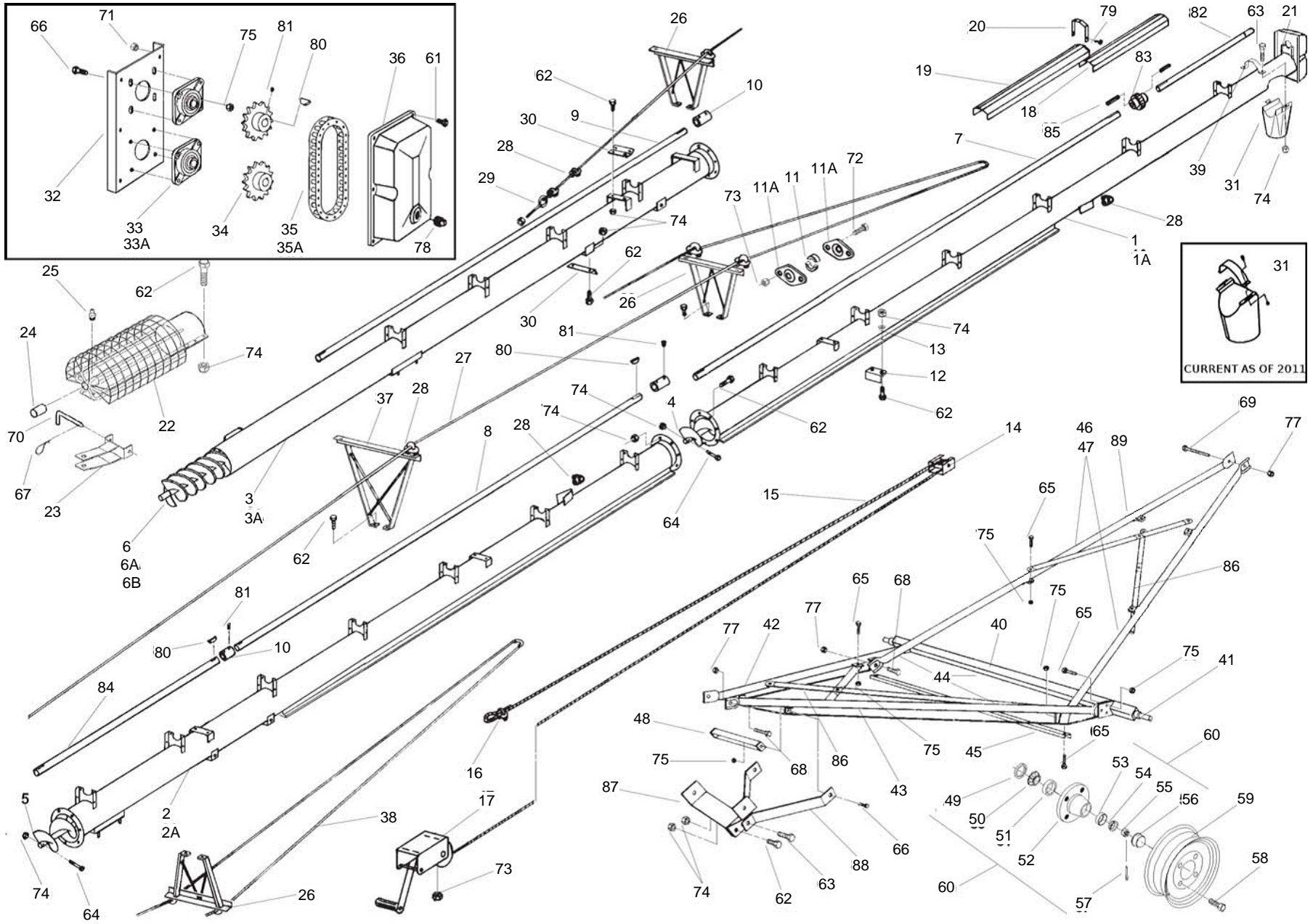


*REPLACEMENT SPROCKETS AND BEARINGS FOR WR60 AUGER ARE SHOWN IN THIS SECTION
(SEE "WR60, WR70, WR80 41' BASIC AUGER")



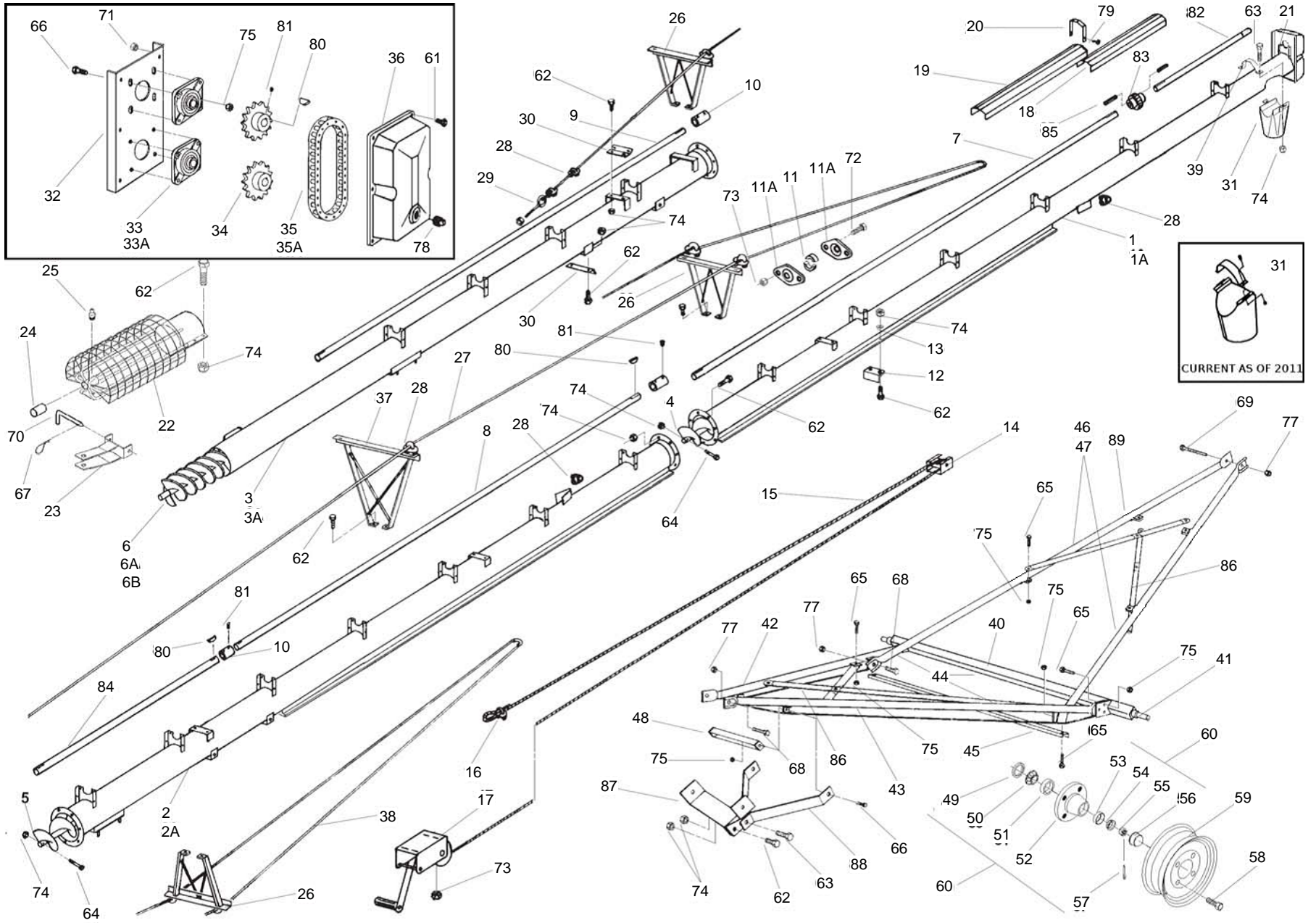
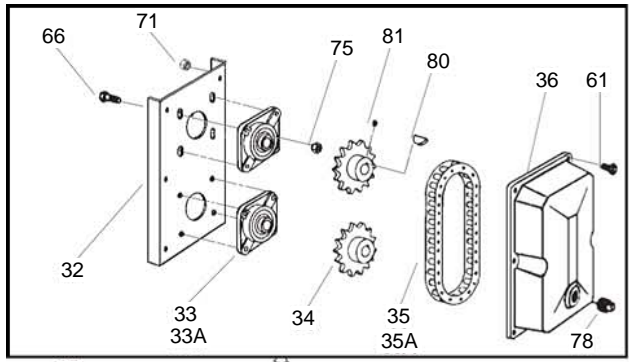
WR80 61 BASIC AUGER

ITEM	PART NO.	DESCRIPTION
43	10-19524	Upper lift tube, left or right, single
44	10-19534	Upper lift bundle, as shipped, (incl. Ref. #42)
45	10-18914	Short cross member, 2 bolt
46	10-19264	Seal
47	10-19265	Large bearing, Timken #LM67048
48	10-19266	Large cup, Timken #LM67010
49	10-19267	Hub w/cups
50	10-19268	Small cup, Timken #LM11910
51	10-19269	Small bearing, Timken #LM11949
52	10-19270	Slotted nut, 3/4" - 16
53	10-19272	Dust cap
54	10-19271	Cotter pin, 1/8" x 1-1/2"
55	10-19273	Wheel bolt, 1/2" - 20 x 1"
56	10-19261	Wheel, 15", 4 bolt
57	10-19467	Hub assembly, complete
58	10-19988	Bolt, 1/4" - 20 x 1", grade 2
59	10-19542	Bolt, 7/16" - 14 x 1", grade 5
60	10-19981	Bolt, 7/16" - 14 x 1-3/4", grade 5
61	10-19545	Bolt, 7/16" - 14 x 2-1/4", grade 8
62	10-19588	Bolt, 1/2" - 13 x 1-1/4", grade 5
63	10-19589	Bolt, 1/2" - 13 x 1-1/2", grade 2
64	10-17383	Grip clip
65	10-19592	Bolt, 3/4" - 10 x 2", grade 5
66	10-19593	Bolt 3/4" - 10 x 6-1/2", grade 5
67	10-17181	Clevis pin
68	10-19594	Washer locknut, 1/4" - 20
69	10-19540	Bolt, 3/8" - 16 x 3/4", grade 2
70	10-19596	Washer locknut, 3/8" - 16
71	10-19598	Locknut, 7/16" - 14
72	10-19599	Locknut, 1/2" - 13
73	10-19600	Locknut, 5/8" - 11
74	10-19601	Locknut, 3/4" - 10
75	10-17179	3/8" Plug
76	10-19274	Selftapping screw, #14 x 5/8", with washerhead
77	10-19224	Woodruff key, 1/4" x 1"
78	10-19225	Set screw, 3/8" - 16 x 3/8"
79	10-19807	Upper driveshaft, 4' 0" section
80	10-19419	Center driveshaft, 6' 4" section
81	10-19771	Chain flex connector
82	10-19606	Square key, 1/4" x 1-1/2"
83	10-19460	Tube half band
84	10-18916	Stabilizer brace, single
85	10-19796	Single cross brace
87	10-18909	Stabilizer bracket, single
88	10-19689	Basic carton



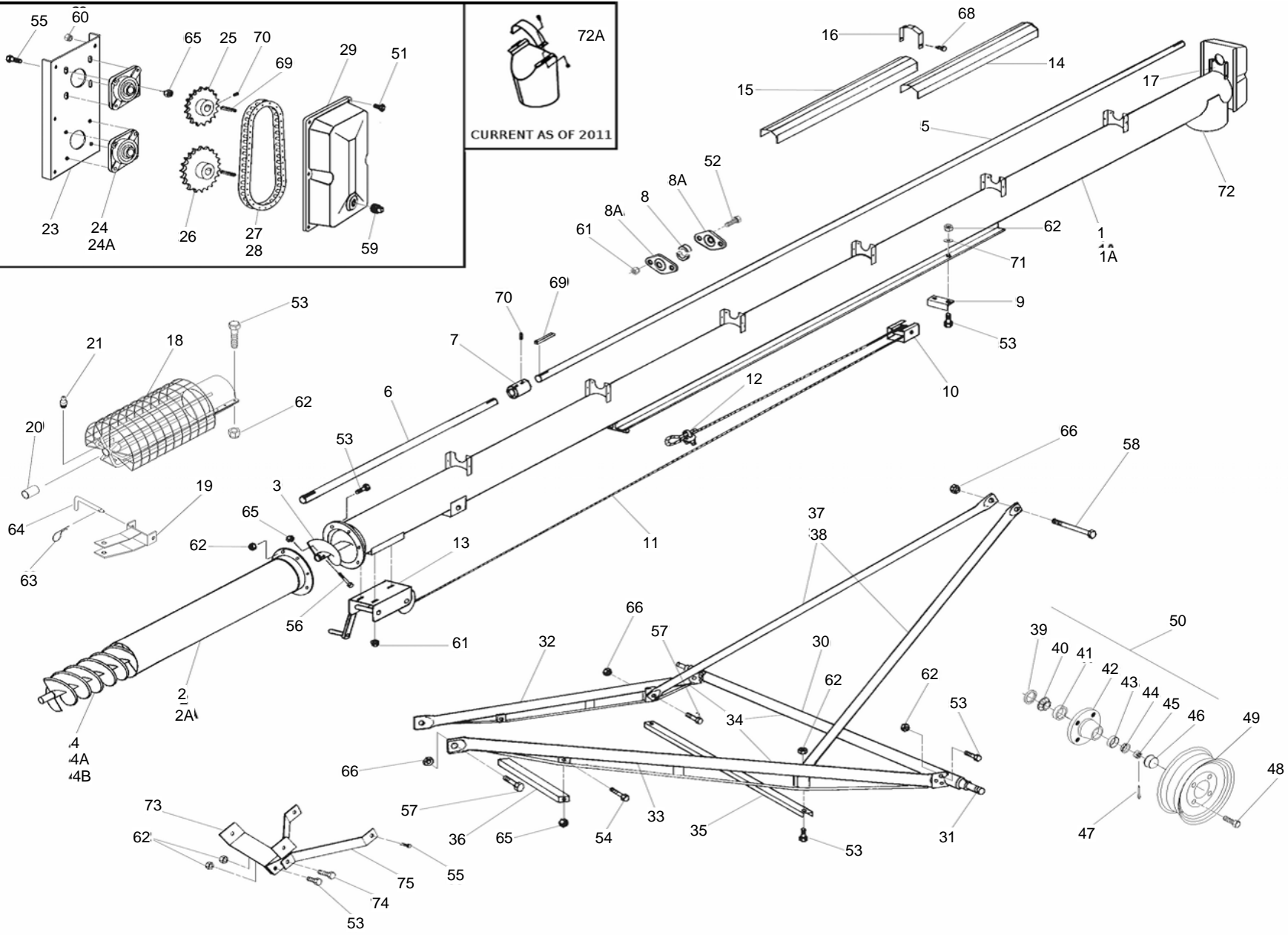
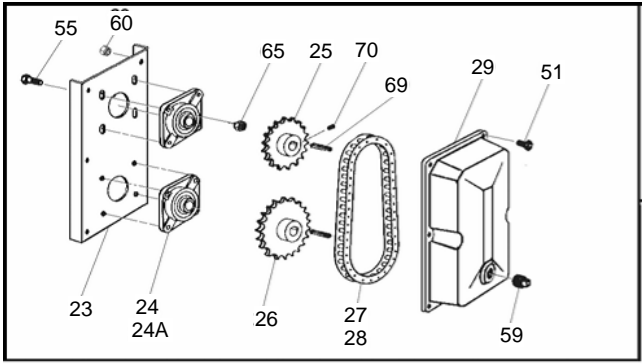
WR80 71 BASIC AUGER

ITEM	PART NO.	DESCRIPTION
1	10-17199	Upper tube section w/driveshaft, housing
1A	10-17200	Upper tube bundle, as shipped
2	10-17201	Center tube section w/driveshaft
2A	10-17202	Center tube bundle, as shipped
3	10-17221	Lower tube section
3A	10-17222	Lower tube bundle, as shipped
4	10-19402	Upper flight section
5	10-19552	Center flight section
6	10-19409	Lower flight section
6A	10-19085	20" weld-on crimped intake flight
6B	10-17534	Slip on intake flight (1998 & later)
7	10-19808	Upper driveshaft, 21' 1" section
8	10-19994	Center driveshaft, 18' 9" section
9	10-19242	Lower driveshaft, 16' 4" long
10	10-19119	Driveshaft connector
11	10-18693	1-1/4" split hardwood bearing, set of 2 halves
11A	10-18695	1-1/4" bearing flanges, single, 2 bolt
12	10-18762	Angle track stop
13	10-17182	Track washer, 7/16"
14	10-17203	Roller track shoe
15	10-19253	1/4" Cable, 74' long
16	10-19147	1/4" Cable clamp
17	10-19569	Winch, 15:1 ratio
18	10-19254	Driveshaft shield, 42" long
19	10-19255	Driveshaft shield, 48" long
20	10-19256	Shield tie-down strap
21	10-19773	Upper shield attach bracket
22	10-19398	Intake hitch w/shield, bushing, grease fitting
23	10-17123	Clevis, less pin
24	10-19149	1" BUSHING
25	10-19222	Press-in grease fitting
26	10-19324	(Low) Truss support bracket
27	10-18855	5/16" Truss cable, 98' long
28	10-19333	5/16" Cable clamp
29	10-19331	Eye bolt w/nut
30	10-19332	Truss attach angle
31	10-29306	Strap-on spout
32	10-17204	Upper drive housing
33	10-19567	1-1/4" Bearing, w/4 bolt flange
33A	10-18852	1-1/4" Bearing, less flange
34	10-19564	Sprocket, 80 B14
35	10-19565	Roller chain w/connector
35A	10-19323	Roller chain connector only
36	10-17159	Housing cover
37	10-19325	(High) Truss support bracket
38	10-17042	5/16" Truss cable, 52' long
39	10-19460	Tube half band
40	10-19343	Axle w/spindles, nuts, cotter pins
41	10-19263	Spindle, weld-on
42	10-19360	Lower reach tube, left



WR80 71 BASIC AUGER

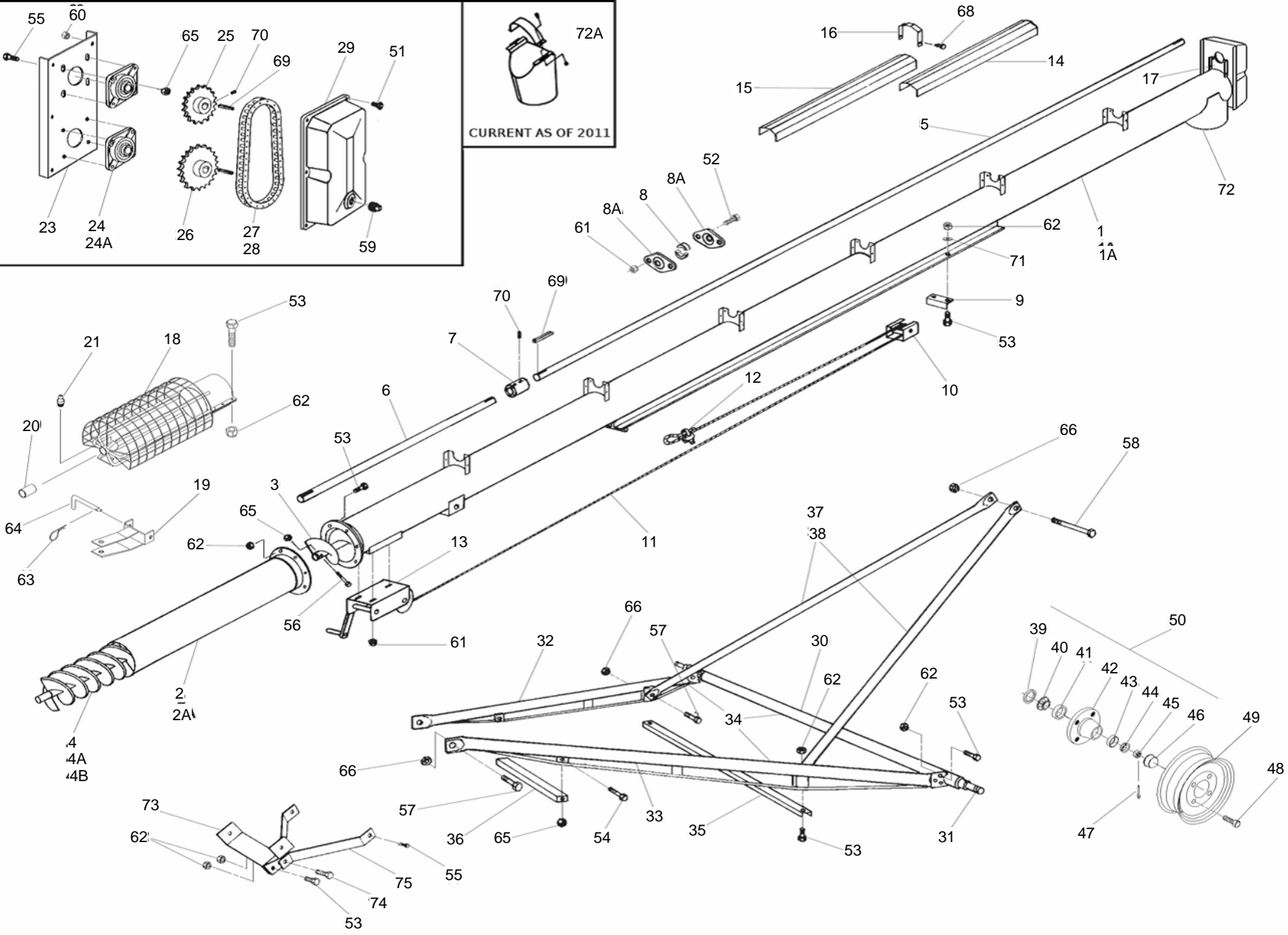
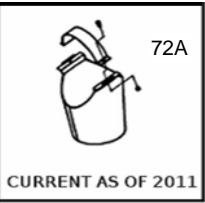
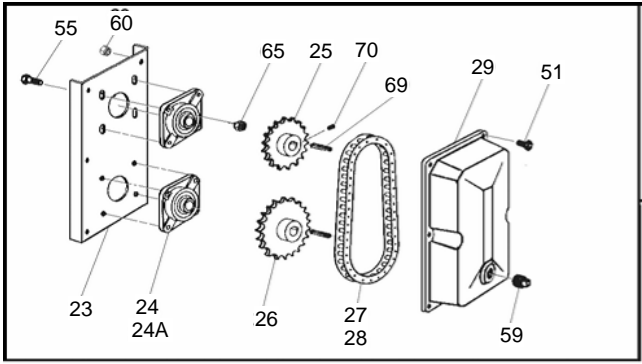
ITEM	PART NO.	DESCRIPTION
43	10-19361	Lower reach tube, right
44	10-19370	Lower reach frame bundle, as shipped, incl. #86
45	10-19379	crossmember
46	10-19525	Upper lift tube, left or right, single
47	10-19535	Upper lift bundle, as shipped, includes Ref. #45
48	10-18914	Short crossmember, 2 bolt
49	10-19264	Seal
50	10-19265	Large bearing, Timken #LM 67048
51	10-19266	Large cup, Timken #LM 67010
52	10-19267	Hub w/cups
53	10-19268	Small cup, Timken #LM 11910
54	10-19269	Small bearing, Timken #LM 11949
55	10-19270	Slotted nut, 3/4" - 16
56	10-19272	Dust cap
57	10-19271	Cotter pin, 1/8" x 1-1/2"
58	10-19273	Wheel bolt, 1/2" - 20 x 1"
59	10-19261	Wheel, 15", 4 bolt
60	10-19467	Hub assembly, complete
61	10-19988	Bolt, 1/4" - 20 x 1", grade 2
62	10-19542	Bolt, 7/16" - 14 x 1", grade 5
63	10-19981	Bolt, 7/16" - 14 x 1-3/4", grade 5
64	10-19545	Bolt, 7/16" - 14 x 2-1/4", grade 8
65	10-19588	Bolt, 1/2" - 13 x 1-1/4", grade 5
66	10-19589	Bolt, 1/2" - 13 x 1-1/2", grade 2
67	10-17383	Grip clip
68	10-19592	Bolt, 3/4" - 10 x 2", grade 5
69	10-19593	Bolt, 3/4" - 10 x 6-1/2", grade 5
70	10-17181	Clevis pin
71	10-19594	Washer locknut, 1/4" - 20
72	10-19540	Bolt, 3/8" - 16 x 3/4", grade 2
73	10-19596	Washer-locknut, 3/8" - 16
74	10-19598	Locknut, 7/16" - 14
75	10-19599	Locknut, 1/2" - 13
76	10-19600	Locknut, 5/8" - 11
77	10-19601	Locknut, 3/4" - 10
78	10-17179	3/8" Plug
79	10-19274	self-tapping screw, #14 x 5/8", w/washerhead
80	10-19224	Woodruff key, 1/4" x 1"
81	10-19225	Set screw, 3/8" - 16 x 3/8"
82	10-19807	Upper driveshaft, 4' 0" section
83	10-19771	Chain flex connector
84	10-19419	Center driveshaft, 6' 4" section
85	10-19606	Square key, 1/4" x 1-1/2"
86	10-19796	Single crossbrace
87	10-18909	Stabilizer bracket, single
88	10-18915	Stabilizer brace, single
90	10-19690	Basic carton



WR100 31 BASIC AUGER

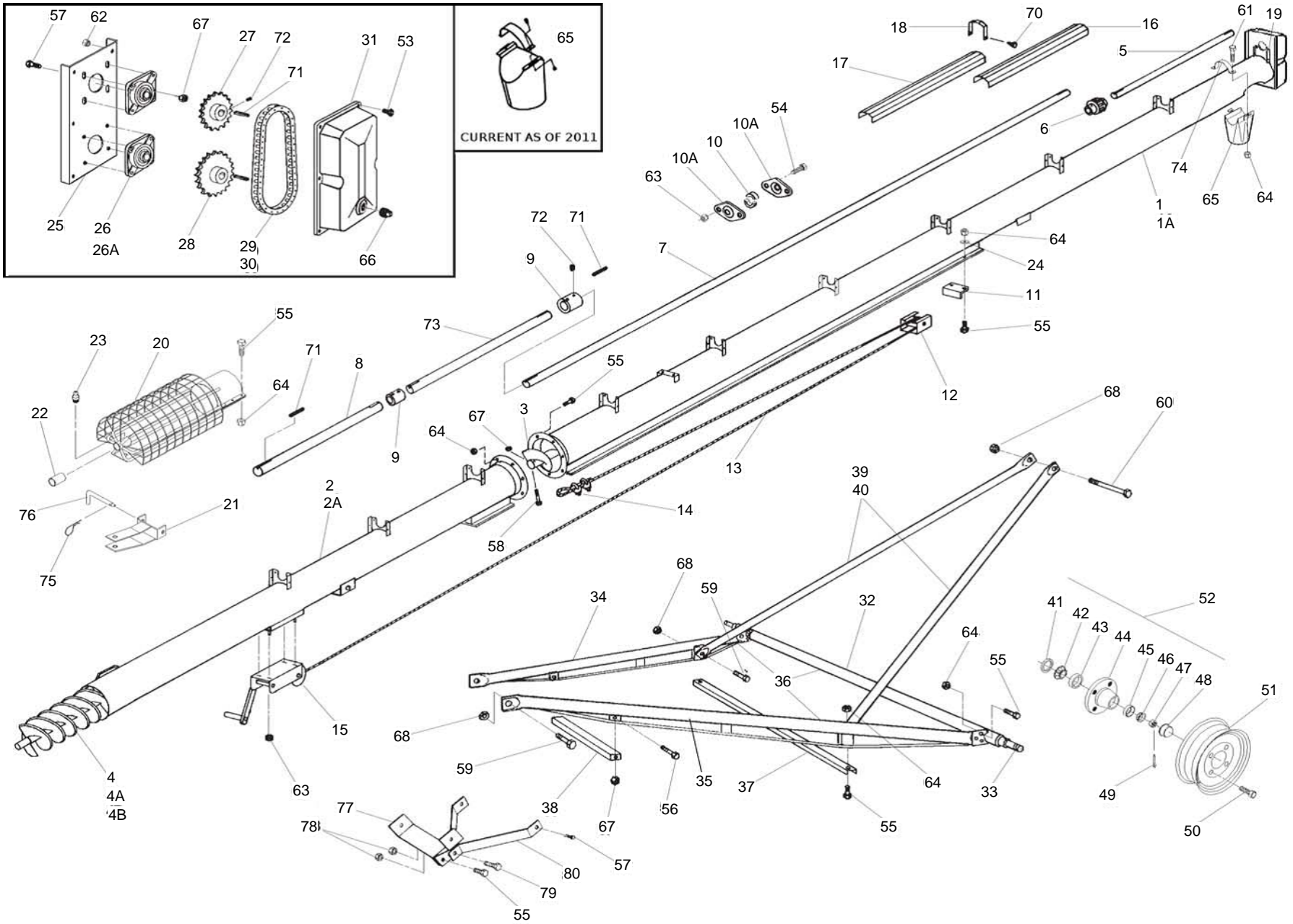
ITEM	PART NO.	DESCRIPTION
1	10-19733	Upper tube section w/driveshaft, housing, track
1A	10-19734	Upper tube bundle, as shipped
2	10-19735	Lower tube section
2A	10-19736	Lower tube bundle, as shipped
3	10-19753	Upper flight section
4	10-19754	Lower flight section
4A	10-19760	30" Weld-on crimped intake flight
4B	10-17535	Slip on intake flight (1998 & later)
5	10-19761	Upper driveshaft, 1-1/4" x 21' 10" long
6	10-19940	Lower driveshaft, 1-1/4" x 3' 10" long
7	10-19770	Driveshaft connector, 1-1/4" bore
8	10-18693	1-1/4" split hardwood bearing, set of 2 halves
8A	10-18695	1-1/4" bearing flange, single, 2 bolt
9	10-18762	Angle track stop
10	10-18763	Roller track shoe
11	10-19246	1/4" Cable, 24' long
12	10-19147	1/4" Cable clamp
13	10-19152	Winch, 5:1 ratio
14	10-19254	Driveshaft shield, 42" long
15	10-19255	Driveshaft shield, 48" long
16	10-19256	Shield tie-down strap
17	10-19773	Upper shield attach bracket
18	10-19774	Intake hitch w/shield, bushing, grease fitting
19	10-17180	Clevis, less pin
20	10-19776	1-1/4" Bushing
21	10-19222	Press-in grease fitting
23	10-17208	Upper drive housing
24	10-19567	1-1/4" Bearing, w/4 bolt flange
24A	10-18852	1-1/4" Bearing, less flange
25	10-19779	Upper sprocket, 18 tooth
26	10-19780	Lower sprocket, 21 tooth
27	10-19781	Roller chain w/connector
28	10-19323	Roller chain connector only
29	10-17160	Housing cover
30	10-19336	Axle w/spindles, nuts, cotter pins
31	10-19262	Spindle, weld-on
32	10-19784	Lower reach tube, left
33	10-19785	Lower reach tube, right
34	10-19786	Lower reach frame bundle, as shipped
35	10-19372	crossmember
36	10-19637	Short crossmember
37	10-19787	Upper lift tube, left or right, single
38	10-19788	Upper lift bundle, as shipped, includes ref. no. 35
39	10-19264	Seal
40	10-19265	Large bearing, Timken #LM 67048
41	10-19266	Large cup, Timken #LM 67010
42	10-19267	Hub w/cups
43	10-19268	Small cup, Timken #LM 11910
44	10-19269	Small bearing, Timken #LM 11949
45	10-19270	Slotted nut, 3/4" - 16

WR100 31 BASIC AUGER



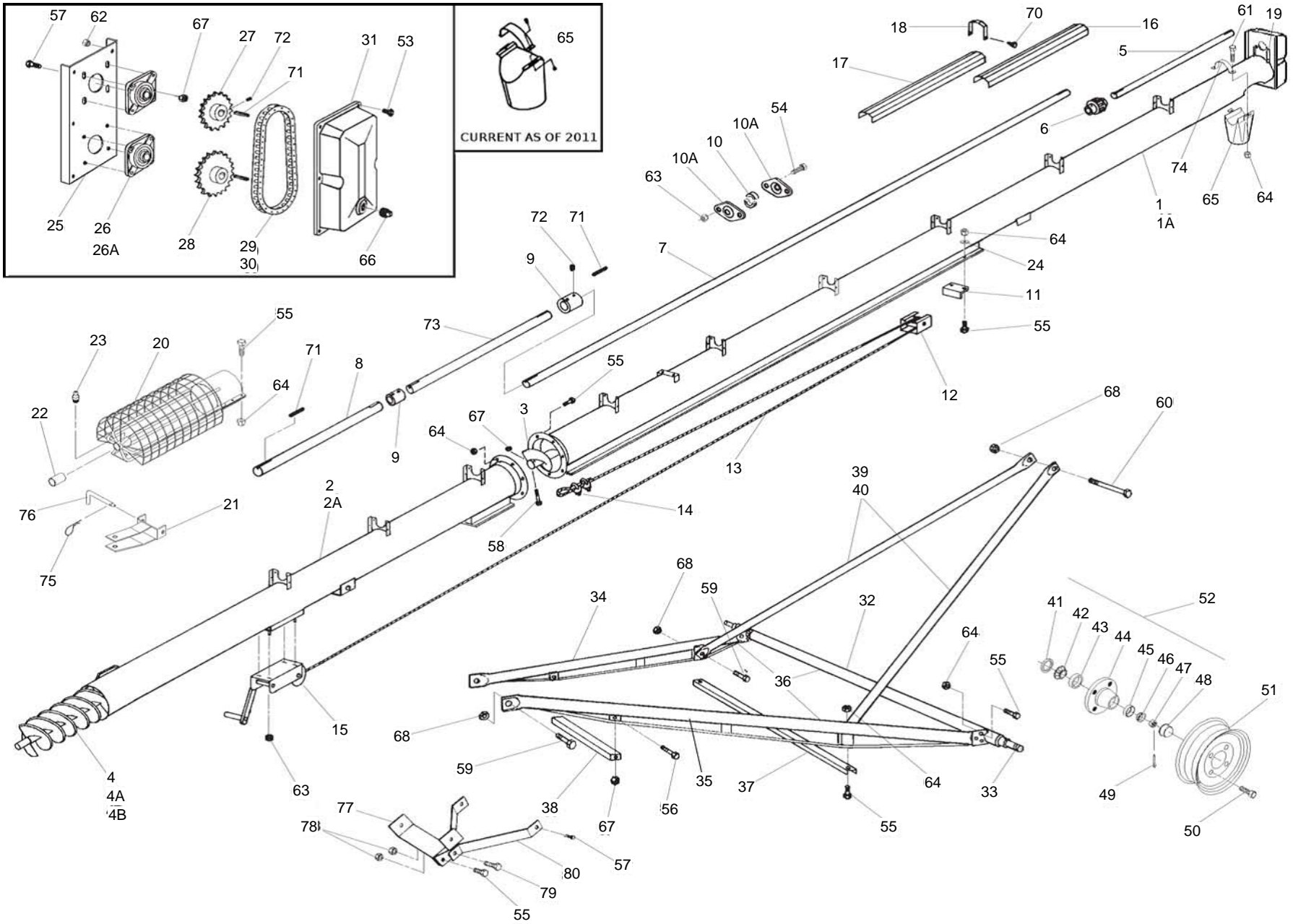
WR100 31 BASIC AUGER

ITEM	PART NO.	DESCRIPTION
46	10-19272	Dust cap
47	10-19271	Cotter pin, 1/8" x 1-1/2"
48	10-19273	Wheel bolt, 1/2" - 20 x 1"
49	10-19261	15" Wheel, 4 bolt
50	10-19467	Hub assembly, complete
51	10-19988	Bolt, 1/4" - 20 x 1", grade 2
52	10-19540	Bolt, 3/8" - 16 x 3/4", grade 2
53	10-19542	Bolt, 7/16" - 14 x 1", grade 5
54	10-19588	Bolt, 1/2" - 13 x 1-1/4", grade 5
55	10-19589	Bolt, 1/2" - 13 x 1-1/2", grade 2
56	10-19798	Bolt, 1/2" - 13 x 2-3/4", grade 8
57	10-19590	Bolt, 5/8" - 11 x 1-1/2", grade 5
58	10-19591	Bolt, 5/8" - 11 x 6-1/2", grade 5
59	10-17179	3/8" Plug
60	10-19594	Washer-locknut, 1/4" - 20
61	10-19596	Washer-locknut, 3/8" - 16
62	10-19598	Locknut, 7/16" - 14
63	10-17383	Grip clip
64	10-17181	Clevis pin
65	10-19599	Locknut, 1/2" - 13
66	10-19600	Locknut, 5/8" - 11
67	10-19601	Locknut, 3/4" - 10
68	10-19274	self-tapping screw, #14 x 5/8"
69	10-19606	Square key, 1/4" x 1-1/2"
70	10-19225	Set screw, 3/8" - 16 x 3/8"
71	10-17182	Track washer, 7/16"
72	10-17225	Weld-on spout
72A	10-29307	strap-on spout
73	10-18909	stabilizer bracket
74	10-19981	bolt, 7/16" - 14 x 1-3/4", grade 5
75	10-18916	stabilizer brace
76	10-19893	Basic carton



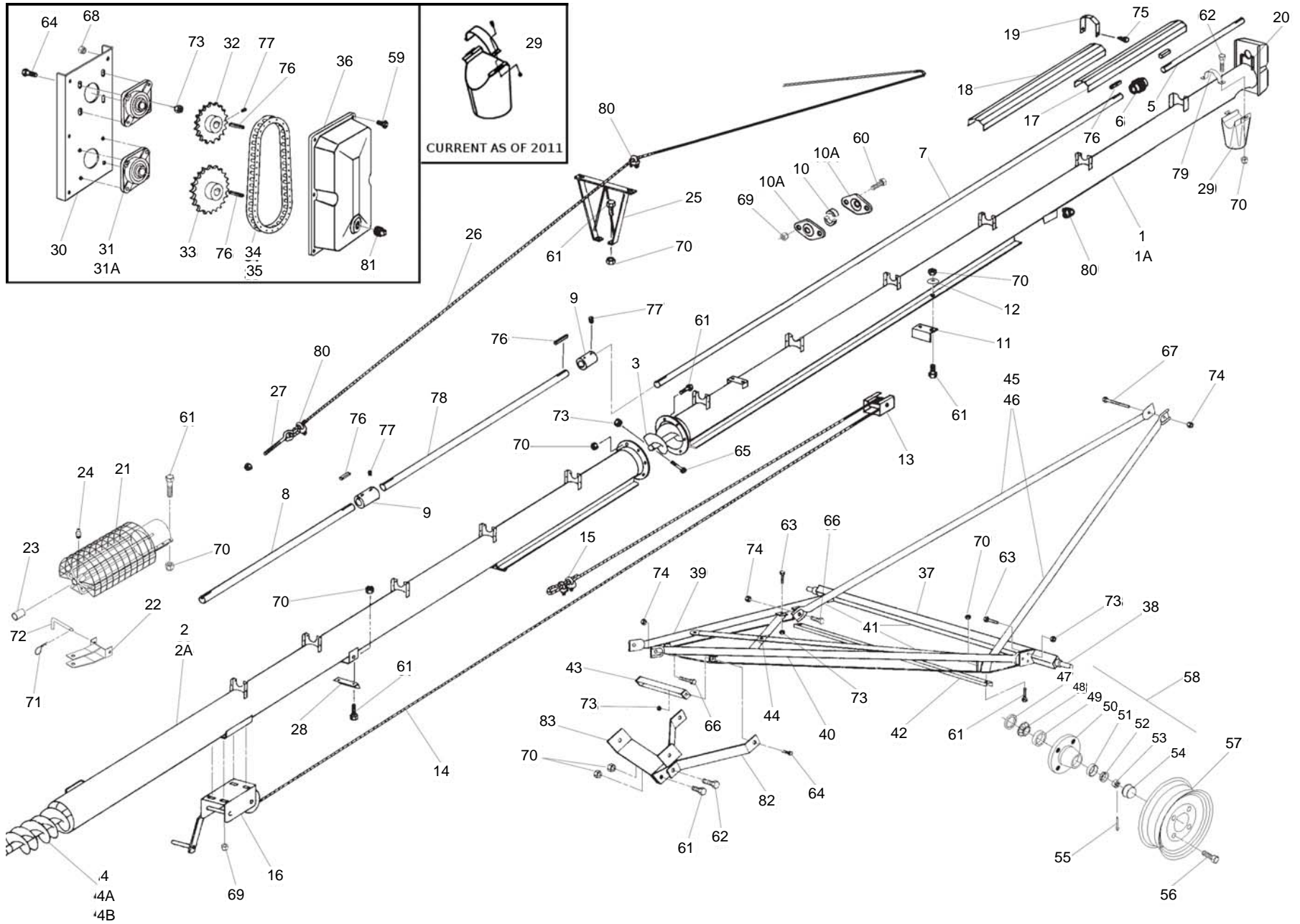
WR100 41 BASIC AUGER

ITEM	PART NO.	DESCRIPTION
1	10-17209	Upper tube section w/driveshaft, housing, track
1A	10-17210	Upper tube bundle, as shipped
2	10-17213	Lower tube section with driveshaft
2A	10-17214	Lower tube bundle, as shipped
3	10-19753	Upper flight section
4	10-19755	Lower flight section
4A	10-19760	30" Weld-on crimped intake flight
4B	10-17535	Slip on intake flight (1998 & later)
5	10-19763	Short upper driveshaft, 48" long
6	10-19771	Chain flex connector
7	10-19766	Upper driveshaft, 21' 1" long
8	10-19954	Lower driveshaft, 5' 2-1/2" long
9	10-19770	Driveshaft connector, 1-1/4" bore
10	10-18693	1-1/4" split hardwood bearing, set of 2 halves
10A	10-18695	1-1/4" bearing flange, single, 2 bolt
11	10-18762	Angle track stop
12	10-17203	Roller track shoe
13	10-18823	1/4" Cable, 38' long
14	10-19147	1/4" Cable clamp
15	10-19569	Winch, 15:1 ratio
16	10-19254	Driveshaft shield, 42" long
17	10-19255	Driveshaft shield, 48" long
18	10-19256	Shield tie-down strap
19	10-19773	Upper shield attach bracket
20	10-19774	Intake hitch w/shield, bushing, grease fitting
21	10-17180	Clevis, less pin
22	10-19776	1-1/4" Bushing
23	10-19222	Press-in grease fitting
24	10-17182	Track washer, 7/16"
25	10-17208	Upper drive housing
26	10-19567	1-1/4" Bearing, w/4 bolt flange
26A	10-18852	1-1/4" Bearing, less flange
27	10-19779	Upper sprocket, 18 tooth
28	10-19780	Lower sprocket, 21 tooth
29	10-19781	Roller chain w/connector
30	10-19323	Roller chain connector only
31	10-17160	Housing cover
32	10-19338	Axle w/spindles, nuts, cotter pins
33	10-19262	Spindle, weld-on
34	10-19350	Lower reach tube, left
35	10-19351	Lower reach tube, right
36	10-19365	Lower reach frame bundle, as shipped
37	10-19374	crossmember
38	10-19637	Short crossmember
39	10-19383	Upper lift tube, left or right, single
40	10-19529	Upper lift bundle, as shipped, includes ref.no.37
41	10-19264	Seal
42	10-19265	Large bearing, Timken #LM 67048
43	10-19266	Large cup, Timken #LM 67010
44	10-19267	Hub w/cups



WR100 41 BASIC AUGER

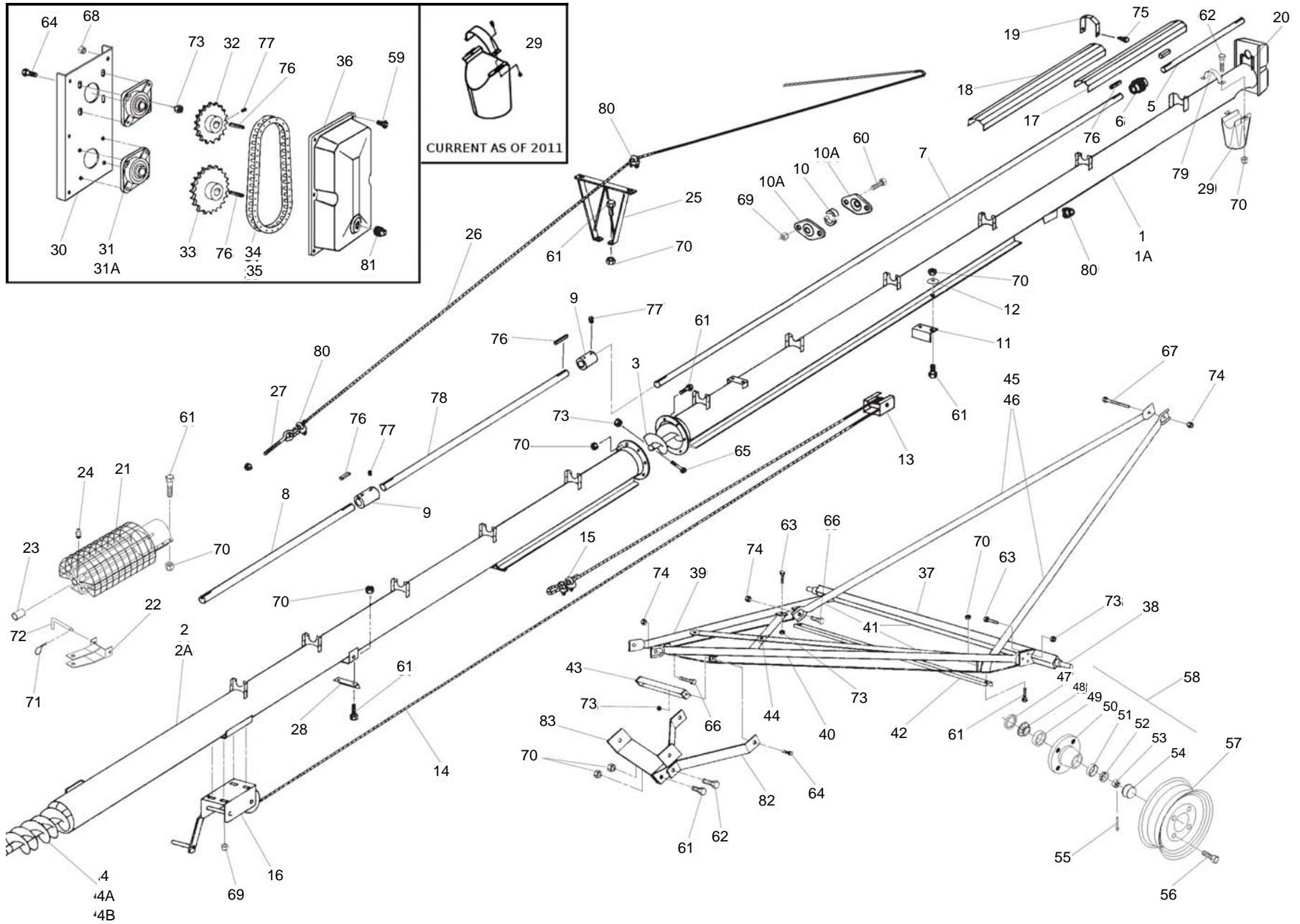
ITEM	PART NO.	DESCRIPTION
45	10-19268	small cup, timken #lm 11910
46	10-19269	small bearing, timken #lm 11949
47	10-19270	slotted nut, 3/4" - 16
48	10-19272	dust cap
49	10-19271	Cotter pin, 1/8" x 1-1/2"
50	10-19273	Wheel bolt, 1/2" - 20 x 1"
51	10-19261	15" Wheel, 4 bolt
52	10-19467	hub assembly, complete
53	10-19988	Bolt, 1/4" - 20 x 1", grade 2
54	10-19540	Bolt, 3/8" - 16 x 3/4", grade 2
55	10-19542	Bolt, 7/16" - 14 x 1", grade 5
56	10-19588	Bolt, 1/2" - 13 x 1-1/4", grade 5
57	10-19589	Bolt, 1/2" - 13 x 1-1/2", grade 2
58	10-19798	Bolt, 1/2" - 13 x 2-3/4", grade 8
59	10-19590	Bolt, 5/8" - 11 x 1-1/2", grade 5
60	10-19591	Bolt, 5/8" - 11 x 6-1/2", grade 5
61	10-19981	Bolt, 7/16" - 14 x 1-3/4", grade 5
62	10-19594	Washer-locknut, 1/4" - 20
63	10-19596	Washer-locknut, 3/8" - 16
64	10-19598	Locknut, 7/16" - 14
65	10-29307	strap-on spout
66	10-17179	3/8" Plug
67	10-19599	Locknut, 1/2" - 13
68	10-19600	Locknut, 5/8" - 11
69	10-19601	1990 Rod Guide Half Clamp
70	10-19274	self-tapping screw, #14 x 5/8", w/washerhead
71	10-19606	Square key, 1/4" x 1-1/2"
72	10-19225	Set screw, 3/8" - 16 x 3/8"
73	10-19941	Lower driveshaft, 6' 2-1/4" long
74	10-19801	Tube half band
75	10-17383	Grip clip
76	10-17181	Clevis pin
77	10-18909	stabilizer bracket
78	10-19598	locknut, 7/16" - 14
79	10-19981	bolt, 7/16" - 14 x 1-3/4", grade 5
80	10-18916	stabilizer brace
81	10-19726	Basic carton



CURRENT AS OF 2011

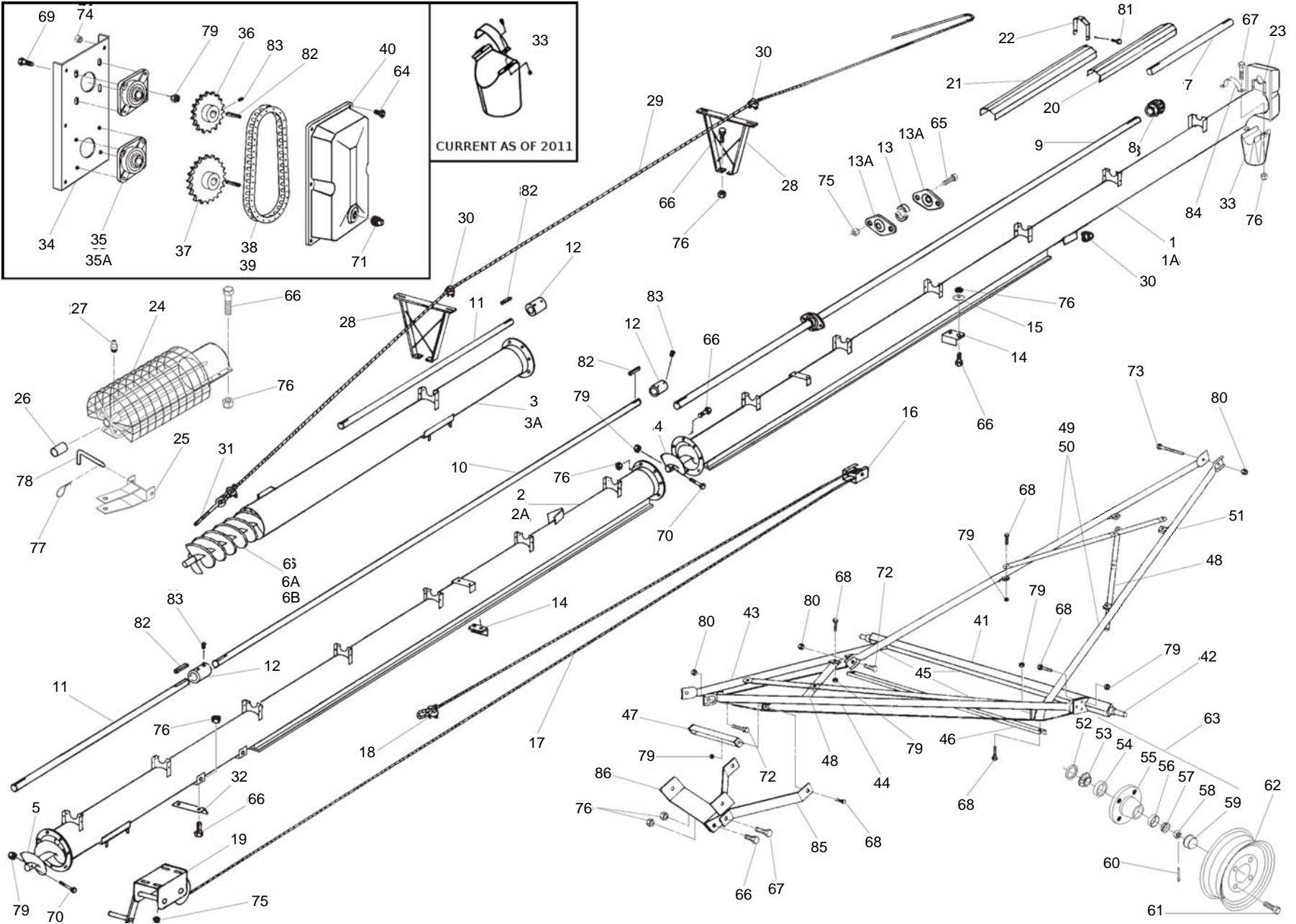
WR100 51 BASIC AUGER

ITEM	PART NO.	DESCRIPTION
1	10-17209	Upper tube section w/driveshaft, housing, track
1A	10-17210	Upper tube bundle, as shipped
2	10-17215	Lower tube section, w/driveshaft
2A	10-17216	Lower tube bundle, as shipped
3	10-19753	Upper flight section
4	10-19756	Lower flight section
4A	10-19760	30" Weld-on crimped intake flight
4B	10-17535	Slip on intake flight (1998 & later)
5	10-19763	Short upper driveshaft, 48" long
6	10-19771	Chain flex connector
7	10-19766	Upper driveshaft 21' 1" long
8	10-19953	Lower driveshaft, 9' 9" long
9	10-19770	Driveshaft connector, 1-1/4" bore
10	10-18693	1-1/4" Split hardwood bearing, set of 2 halves
10A	10-18695	1-1/4" Bearing flange, single, 2 bolt
11	10-18762	Angle track stop
12	10-17182	Track washer, 7/16"
13	10-17203	Roller track shoe
14	10-18824	1/4" Cable, 49' long
15	10-19147	1/4" Cable clamp
16	10-19569	Winch, 15:1 ratio
17	10-19254	Driveshaft shield, 42" long
18	10-19255	Driveshaft shield, 48" long
19	10-19256	Shield tie-down strap
20	10-19773	Upper shield attach bracket
21	10-19774	Intake hitch w/shield, bushing, grease fitting
22	10-17180	Clevis, less pin
23	10-19776	1-1/4" Bushing
24	10-19222	Press-in grease fitting
25	10-19324	Truss support bracket
26	10-17166	5/16" Truss cable, 61' 6" long
27	10-19331	Eye bolt w/nut
28	10-18031	Truss attach angle
29	10-29307	strap-on Spout
30	10-17208	Upper drive housing
31	10-19567	1-1/4" Bearing, w/4 bolt flange
31A	10-18852	1-1/4" Bearing, less flange
32	10-19779	Upper sprocket, 18 tooth
33	10-19780	Lower sprocket, 21 tooth
34	10-19781	Roller chain w/connector
35	10-19323	Roller chain connector only
36	10-17160	Housing cover
37	10-18090	Axle w/spindles, nuts, cotter pins
38	10-19263	Spindle, weld-on
39	10-19789	Lower reach tube, left
40	10-19790	Lower reach tube, right
41	10-19791	Lower reach frame bundle, as shipped, incl. ref. no. 44
42	10-19376	Crossmember
43	10-18914	Short crossmember, 2 bolt
44	10-19796	Single crossbrace



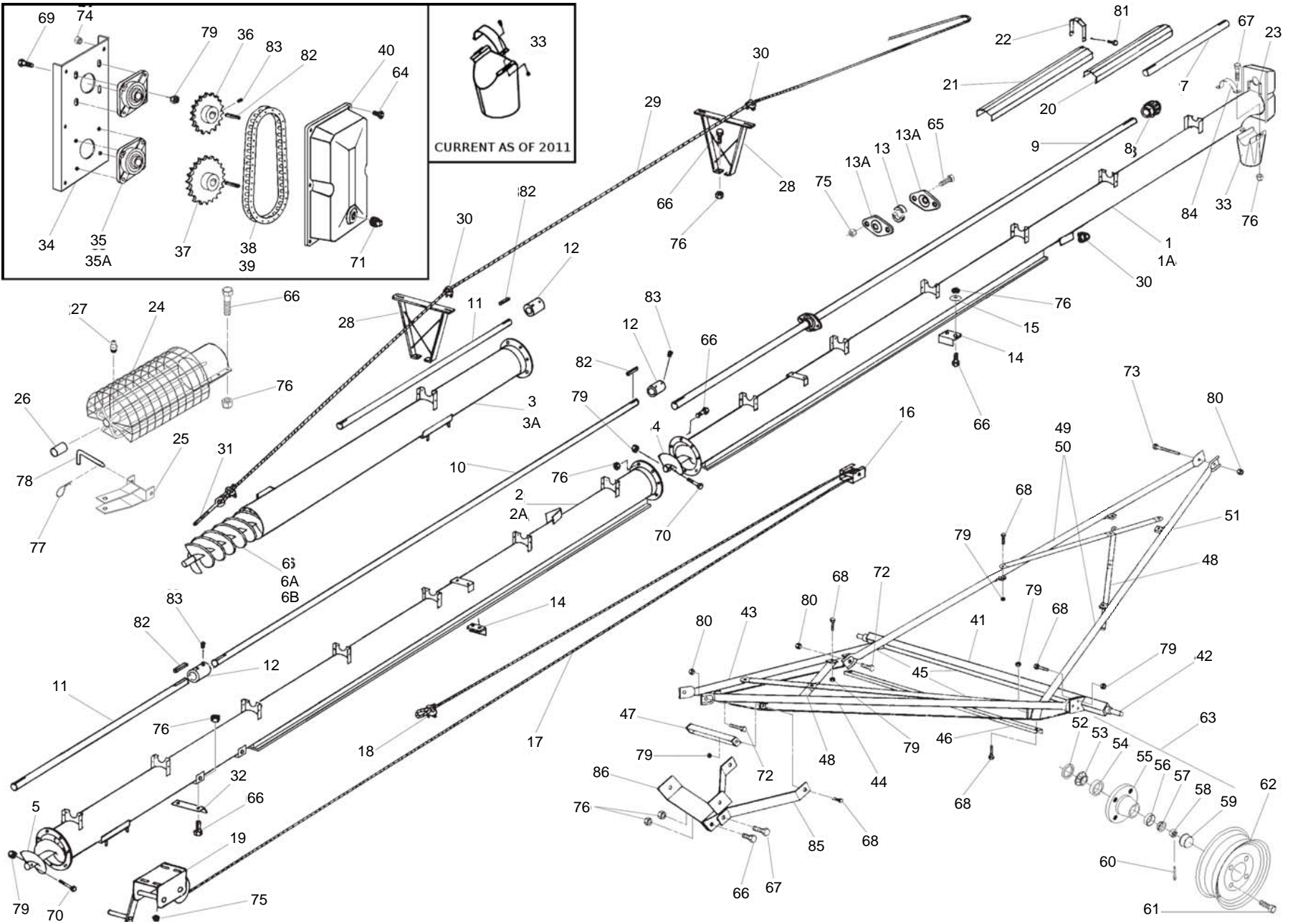
WR100 51 BASIC AUGER

ITEM	PART NO.	DESCRIPTION
45	10-19792	Upper lift tube, left or right, single
46	10-19793	Upper lift bundle, as shipped, includes ref. no. 42
47	10-19264	Seal
48	10-19265	Large bearing, Timken #LM 67048
49	10-19266	Large cup, Timken #LM 67010
50	10-19267	Hub w/cups
51	10-19268	Small cup, Timken #LM 11910
52	10-19269	Small bearing, Timken #LM 11949
53	10-19270	Slotted nut, 3/4" - 16
54	10-19272	Dust cap
55	10-19271	Cotter pin, 1/8" x 1-1/2"
56	10-19273	Wheel bolt, 1/2" - 20 x 1"
57	10-19261	15" Wheel, 4 bolt
58	10-19467	Hub assembly, complete
59	10-19988	Bolt, 1/4" - 20 x 1", grade 2
60	10-19540	Bolt, 3/8" - 16 x 3/4", grade 2
61	10-19542	Bolt, 7/16" - 14 x 1", grade 5
62	10-19981	Bolt, 7/16" - 14 x 1-3/4", grade 5
63	10-19588	Bolt, 1/2" - 13 x 1-1/4", grade 5
64	10-19589	Bolt, 1/2" - 13 x 1-1/2", grade 2
65	10-19798	Bolt, 1/2" - 13 x 2-3/4", grade 8
66	10-19592	Bolt, 3/4" - 10 x 2", grade 5
67	10-19593	Bolt, 3/4" - 10 x 6-1/2", grade 5
68	10-19594	Washer-locknut, 1/4" - 20
69	10-19596	Washer-locknut, 3/8" - 16
70	10-19598	Locknut, 7/16" - 14
71	10-17383	Grip clip
72	10-17181	Clevis pin
73	10-19599	Locknut, 1/2" - 13
74	10-19601	Locknut, 3/4" - 10
75	10-19274	self-tapping screw, #14 x 5/8", w/washerhead
76	10-19606	Square key, 1/4" x 1-1/2"
77	10-19225	Set screw, 3/8" - 16 x 3/8"
78	10-19942	Lower driveshaft, 11' 8" section
79	10-19801	Tube half band
80	10-19333	5/16" Cable clamp
81	10-17179	3/8" Plug
82	10-18908	Stabilizer brace, single
83	10-18909	Stabilizer bracket, single
84	10-17217	WR100 x 51 - 71 Basic #1 carton
85	10-17218	WR100 x 51 Basic #2 carton



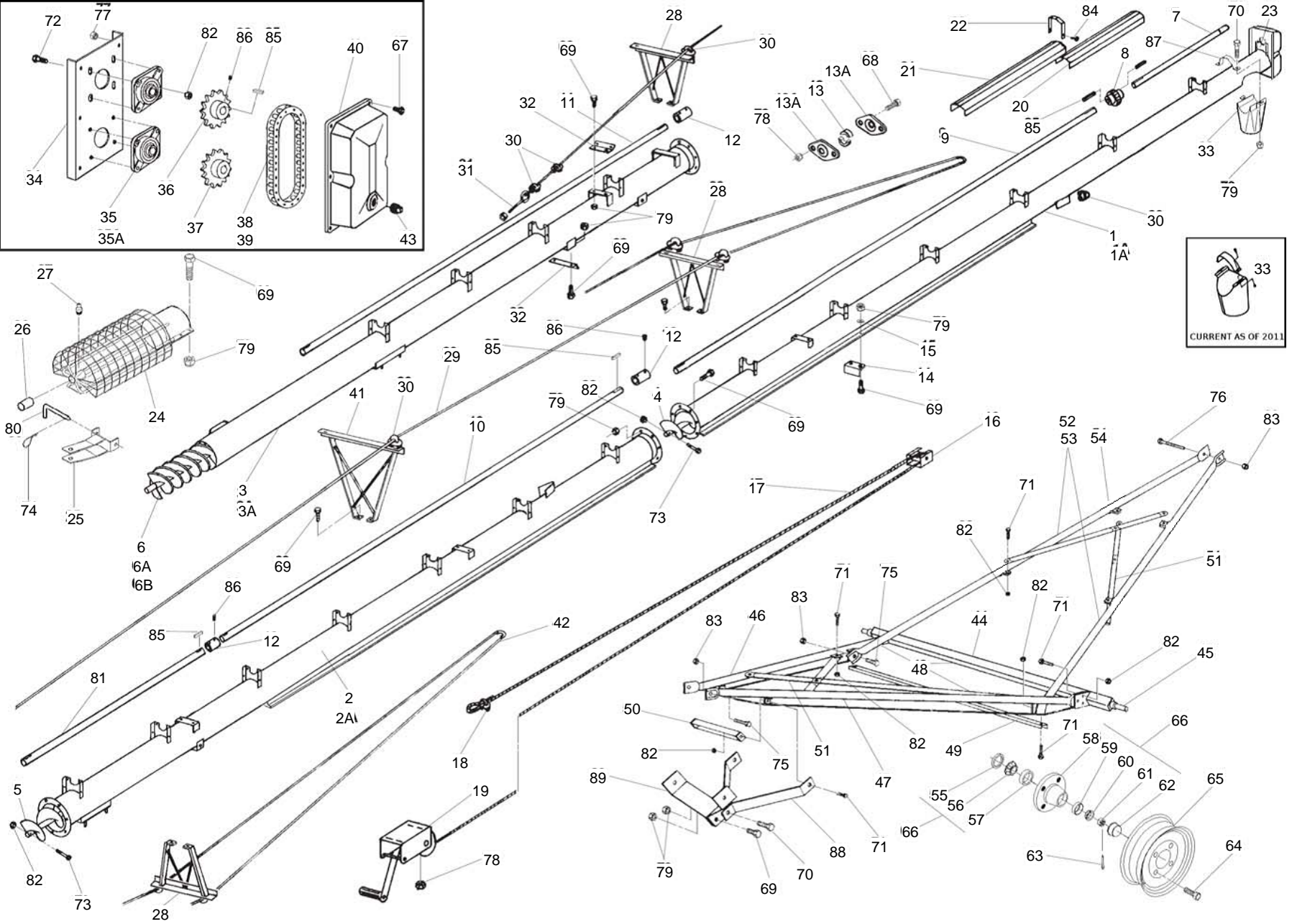
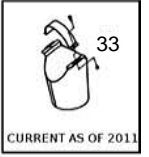
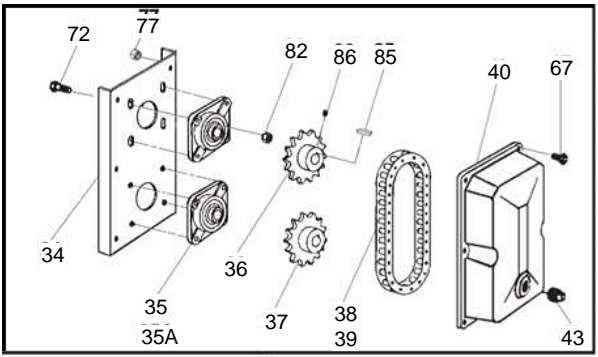
WR100 61 BASIC AUGER

ITEM	PART NO.	DESCRIPTION
1	10-17209	Upper tube section w/driveshaft, housing, track
1A	10-17210	Upper tube bundle, as shipped
2	10-17211	Center tube section, w/driveshaft
2A	10-17212	Center tube bundle, as shipped
3	10-19749	Lower tube section
3A	10-19750	Lower tube bundle, as shipped
4	10-19753	Upper flight section
5	10-19757	Center flight section
6	10-19758	Lower flight section
6A	10-19760	30" Weld-on crimped intake flight
6B	10-17535	Slip on intake flight (1998 & later)
7	10-19763	Short upper driveshaft, 48" long
8	10-19771	Chain flex connector
9	10-19766	Upper driveshaft, 21' 1" long
10	10-19943	Center driveshaft, 18' 9" long
11	10-19768	Driveshaft, 6' 4" long, lower & center
12	10-19770	Driveshaft connector, 1- 1/4" bore
13	10-18693	1-1/4" split hardwood bearing, set of 2 halves
13A	10-18695	1-1/4" bearing flange, single, 2 bolt
14	10-18762	Angle track stop
15	10-17182	Track washer, 7/16"
16	10-17203	Roller track shoe
17	10-19252	1/4" Cable, 65' 6" long
18	10-19147	1/4" Cable clamp
19	10-19569	Winch, 15:1 ratio
20	10-19254	Driveshaft shield, 42" long
21	10-19255	Driveshaft shield, 48" long
22	10-19256	Shield tie-down strap
23	10-19773	Upper shield attach bracket
24	10-19774	Intake hitch w/shield, bushing, grease fitting
25	10-17180	Clevis, less pin
26	10-19776	1-1/4" Bushing
27	10-19222	Press-in grease fitting
28	10-19324	Truss support bracket
29	10-17165	5/16" Truss cable, 77' 6" long
30	10-19333	5/16" Cable clamp
31	10-19331	Eye bolt w/nut
32	10-19332	Truss attach angle
33	10-29307	strap-on Spout
34	10-17208	Upper drive housing
35	10-19567	1-1/4" Bearing, w/4 bolt flange
35A	10-18852	1-1/4" Bearing, less flange
36	10-19779	Upper sprocket, 18 tooth
37	10-19780	Lower sprocket, 21 tooth
38	10-19781	Roller chain w/connector
39	10-19323	Roller chain connector only
40	10-17160	Housing cover
41	10-19342	Axle w/spindles, nuts, cotter pins
42	10-19263	Spindle, weld-on
43	10-19358	Lower reach tube, left



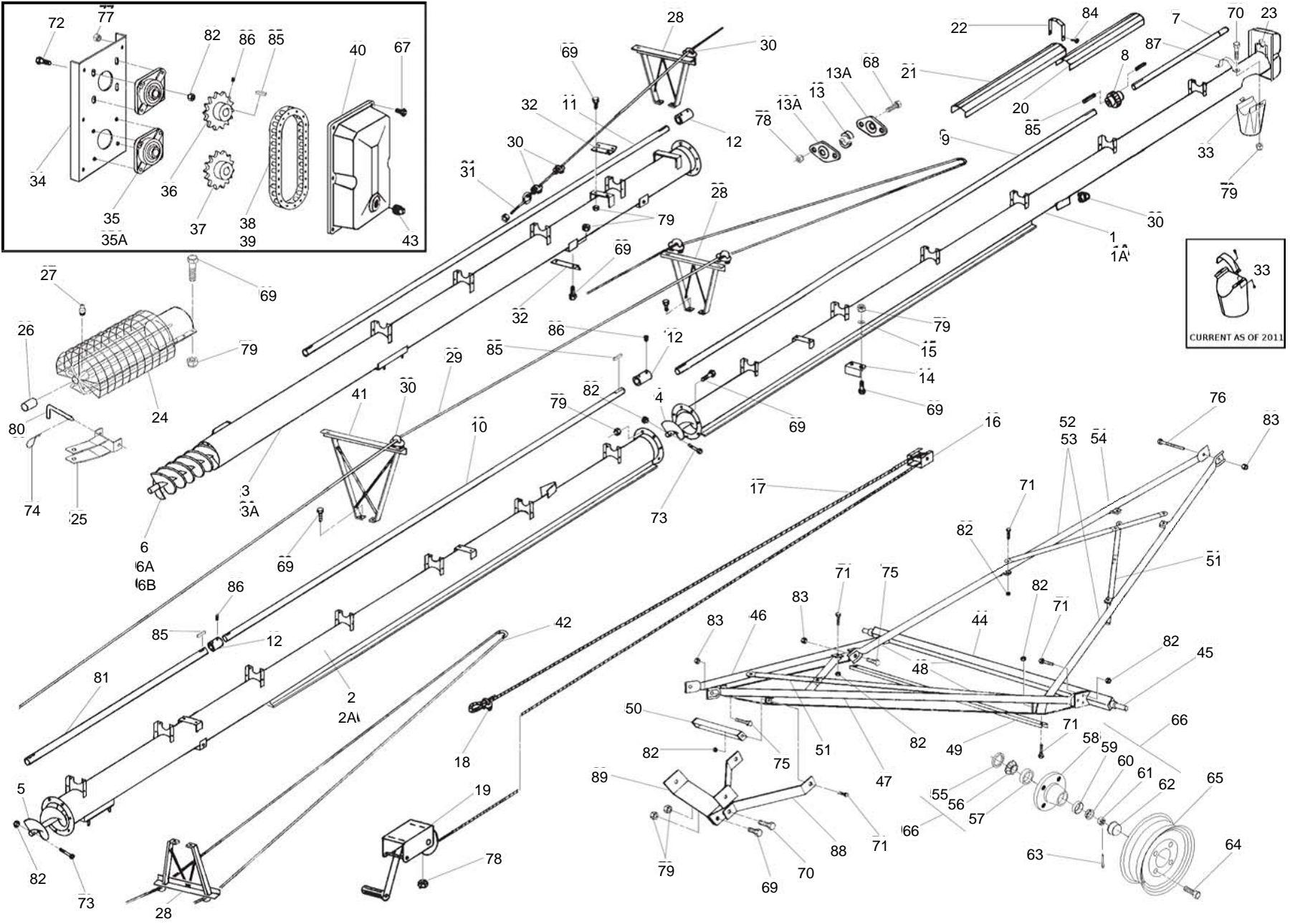
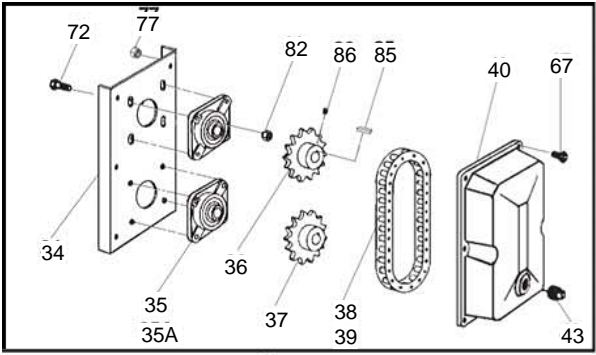
WR100 61 BASIC AUGER

ITEM	PART NO.	DESCRIPTION
44	10-19359	Lower reach tube, right
45	10-19369	Lower reach frame bundle, as shipped, incl. #48
46	10-19378	crossmember
47	10-18914	2 Bolt crossmember
48	10-19796	Single crossbrace
49	10-19524	Upper lift tube, left or right, single
50	10-19534	Upper lift bundle, as shipped, includes Ref. #46
52	10-19264	Seal
53	10-19265	Large bearing, Timken #LM 67048
54	10-19266	Large cup, Timken #LM 67010
55	10-19267	Hub w/cups
56	10-19268	Small cup, Timken #LM 11910
57	10-19269	Small bearing, Timken #LM 11949
58	10-19270	Slotted nut, 3/4" - 16
59	10-19272	Dust cap
60	10-19271	1/8" x 1-1/2" Cotter pin
61	10-19273	Wheel bolt, 1/2" - 20 x 1"
62	10-19261	15" Wheel, 4 bolt
63	10-19467	Hub assembly, complete
64	10-19988	Bolt, 1/4" - 20 x 1", grade 2
65	10-19540	Bolt, 3/8" - 16 x 3/4", grade 2
66	10-19542	Bolt, 7/16" - 14 x 1", grade 5
67	10-19981	Bolt, 7/16" - 14 x 1-3/4", grade 5
68	10-19588	Bolt, 1/2" - 13 x 1-1/4", grade 5
69	10-19589	Bolt, 1/2" - 13 x 1-1/2", grade 2
70	10-19798	Bolt, 1/2" - 13 x 2-3/4", grade 8
71	10-17179	3/8" Plug
72	10-19592	Bolt, 3/4" - 10 x 2", grade 5
73	10-19593	Bolt, 3/4" - 10 x 6-1/2", grade 5
74	10-19594	Washer-locknut, 1/4" - 20
75	10-19596	Washer-locknut, 3/8" - 16
76	10-19598	Locknut, 7/16" - 14
77	10-17383	Grip clip
78	10-17181	Clevis pin
79	10-19599	Locknut, 1/2" - 13
80	10-19601	Locknut, 3/4" - 10
81	10-19274	self-tapping screw, #14 x 5/8", w/washerhead
82	10-19606	Square key, 1/4" x 1-1/2"
83	10-19225	Set screw, 3/8" - 16 x 3/8"
84	10-19801	Tube half band
85	10-18916	Stabilizer brace, single
86	10-18909	Stabilizer bracket, single
87	10-17217	WR100 x 51 - 71 Basic #1 carton
88	10-17219	WR100 x 61 Basic #2 carton



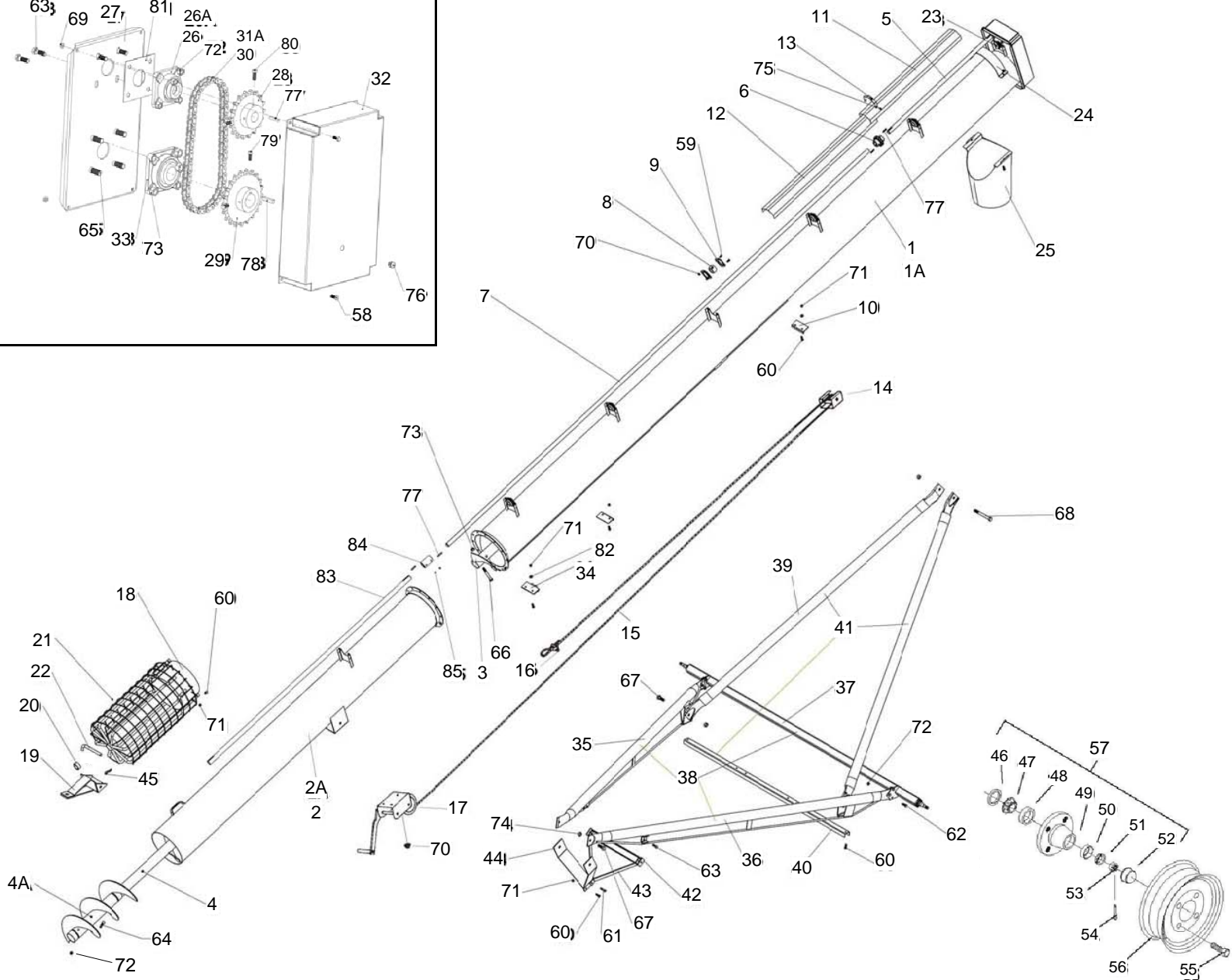
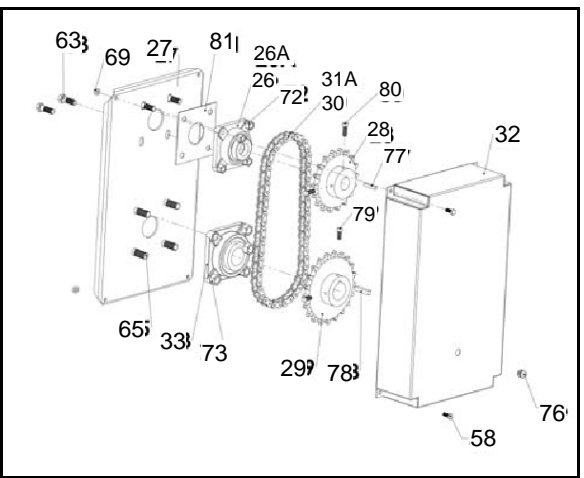
WR100 71 BASIC AUGER

ITEM	PART NO.	DESCRIPTION
1	10-17209	Upper tube section w/driveshaft, housing, track
1A	10-17210	Upper tube bundle, as shipped
2	10-17211	Center tube section w/driveshaft
2A	10-17212	Center tube bundle, as shipped
3	10-17223	Lower tube section with driveshaft
3A	10-17224	Lower tube bundle, as shipped
4	10-19753	Upper flight section
5	10-19757	Center flight section
6	10-19759	Lower flight section
6A	10-19760	30" Weld-on crimped intake flight
6B	10-17535	Slip on intake flight (1998 & later)
7	10-19763	Short upper driveshaft, 48" long
8	10-19771	Chain flex connector
9	10-19766	Upper driveshaft, 21' 1" long
10	10-19943	Center driveshaft, 18' 9" long
11	10-19769	Lower driveshaft, 16' 4" long
12	10-19770	Driveshaft connector, 1-1/4" bore
13	10-18693	1-1/4" split hardwood bearing, set of 2 halves
13A	10-18695	1-1/4" bearing flange, single, 2 bolt
14	10-18762	Angle track stop
15	10-17182	Track washer, 7/16"
16	10-17203	Roller track shoe
17	10-19253	1/4" Cable, 74' long
18	10-19147	1/4" Cable clamp
19	10-19569	Winch, 15:1 ratio
20	10-19254	Driveshaft shield, 42" long
21	10-19255	Driveshaft shield, 48" long
22	10-19256	Shield tie-down strap
23	10-19773	Upper shield attach bracket
24	10-19774	Intake hitch w/shield, bushing, grease fitting
25	10-17180	Clevis, less pin
26	10-19776	1-1/4" Bushing
27	10-19222	Press-in grease fitting
28	10-19324	Truss support bracket, low
29	10-18855	5/16" Truss cable, 98' long
30	10-19333	5/16" Cable clamp
31	10-19331	Eye bolt w/nut
32	10-19332	Truss attach angle
33	10-29307	strap-on Spout
34	10-17208	Upper drive housing
35	10-19567	1-1/4" Bearing, w/4 bolt flange
35A	10-18852	1-1/4" Bearing, less flange
36	10-19779	Upper sprocket, 18 tooth
37	10-19780	Lower sprocket, 21 tooth
38	10-19781	Roller chain w/connector
39	10-19323	Roller chain connector only
40	10-17160	Housing cover
41	10-19325	Truss support bracket, high
42	10-17042	5/16" Truss cable, 52' long
43	10-17179	3/8" Plug



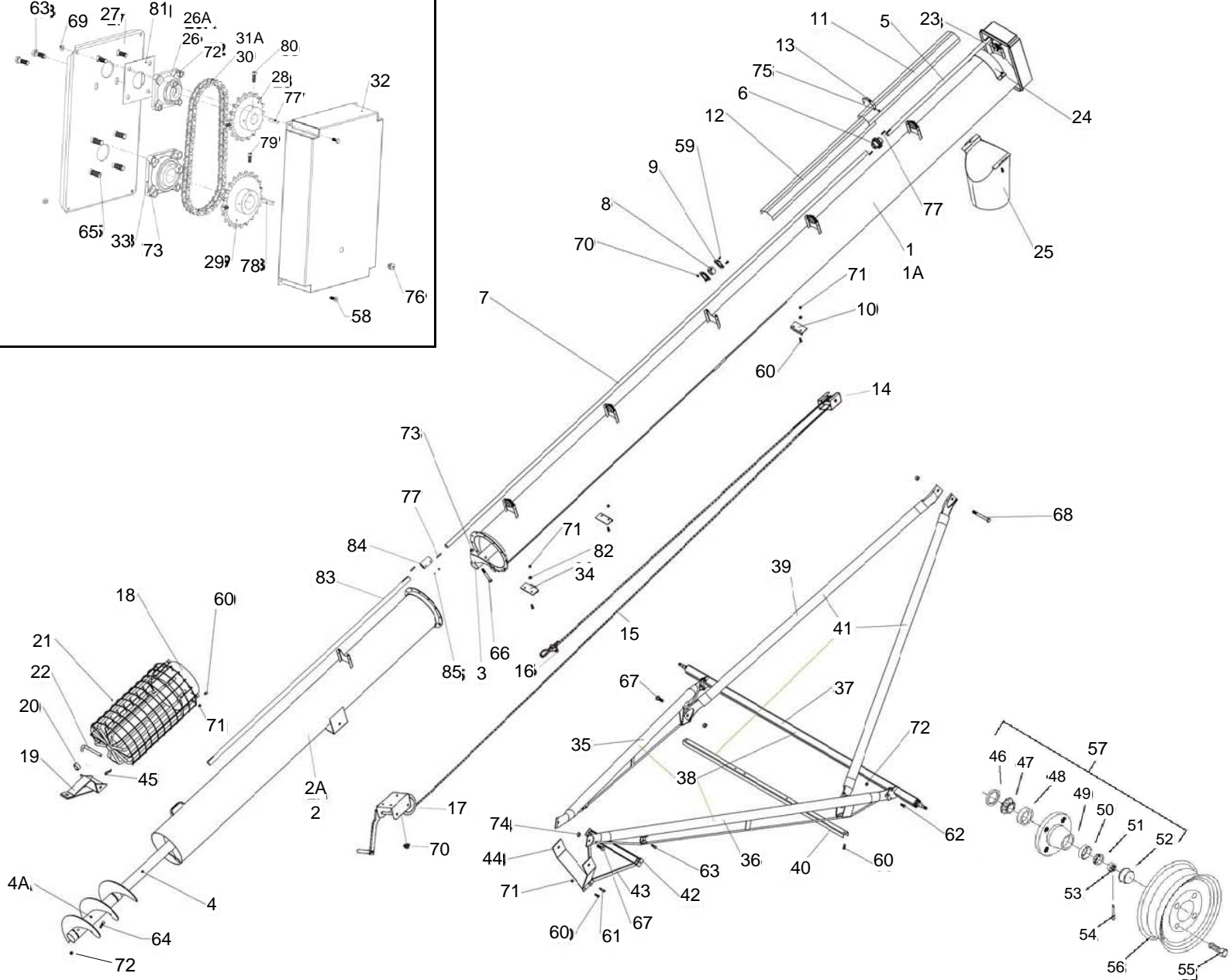
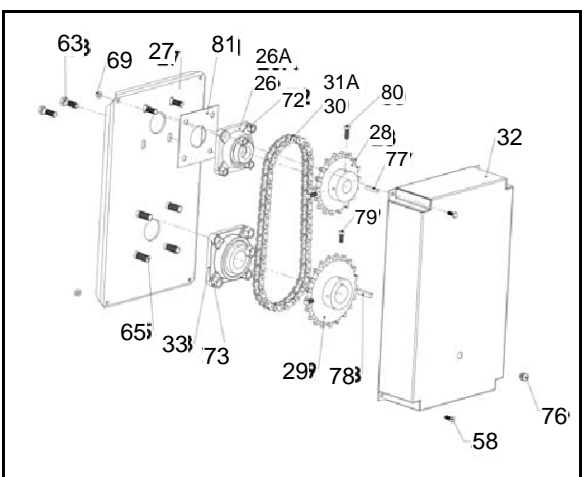
WR100 71 BASIC AUGER

ITEM	PART NO.	DESCRIPTION
44	10-19343	Axle w/spindle, nuts, cotter pins
45	10-19263	Spindle, weld-on
46	10-19360	Lower reach tube, left
47	10-19361	Lower reach tube, right
48	10-19370	Lower reach frame bundle as shipped, incl. #51
49	10-19379	Crossmember
50	10-18914	Short crossmember 2 bolt
51	10-19796	Single crossbrace
52	10-19525	Upper lift tube, left or right, single
53	10-19535	Upper lift bundle, as shipped, includes Ref. #49
55	10-19264	Seal
56	10-19265	Large bearing, Timken #LM 67048
57	10-19266	Large cup, Timken #LM 67010
58	10-19267	Hub w/cups
59	10-19268	Small cup, Timken #LM 11910
60	10-19269	Small bearing, Timken #LM 11949
61	10-19270	Slotted nut, 3/4" - 16
62	10-19272	Dust cap
63	10-19271	1/8" x 1/2" Cotter pin
64	10-19273	Wheel bolt, 1/2" - 20
65	10-19261	15" Wheel, 4 bolt
66	10-19467	Hub assembly, complete
67	10-19988	Bolt, 1/4" - 20 x 1", grade 2
68	10-19540	Bolt, 3/8" - 16 x 3/4", grade 2
69	10-19542	Bolt, 7/16" - 14 x 1", grade 5
70	10-19981	Bolt, 7/16" - 14 x 1-3/4", grade 5
71	10-19588	Bolt, 1/2" - 13 x 1-1/4", grade 5
72	10-19589	Bolt, 1/2" - 13 x 1-1/2", grade 2
73	10-19798	Bolt, 1/2" - 13 x 2-3/4", grade 8
74	10-17383	Grip clip
75	10-19592	Bolt, 3/4" - 10 x 2", grade 5
76	10-19593	Bolt, 3/4" - 10 x 6-1/2", grade 5
77	10-19594	Washer-locknut, 1/4" - 20
78	10-19596	Washer-locknut, 3/8" - 16
79	10-19598	Locknut, 7/16" - 14
80	10-17181	CLEVIS PIN
81	10-19768	Center driveshaft, 6' 4" long
82	10-19599	Locknut, 1/2" - 13
83	10-19601	Locknut, 3/4" - 10
84	10-19274	self-tapping screw, #14 x 5/8", w/washerhead
85	10-19606	Square key, 1/4" x 1-1/2"
86	10-19225	Set screw, 3/8" - 16 x 3/8"
87	10-19801	Tube halfband
88	10-18915	Stabilizer brace, single
89	10-18909	Stabilizer bracket, single
90	10-17217	WR100 x 51 - 71 Basic #1 carton
91	10-17220	WR100 - 71 Basic #2 carton



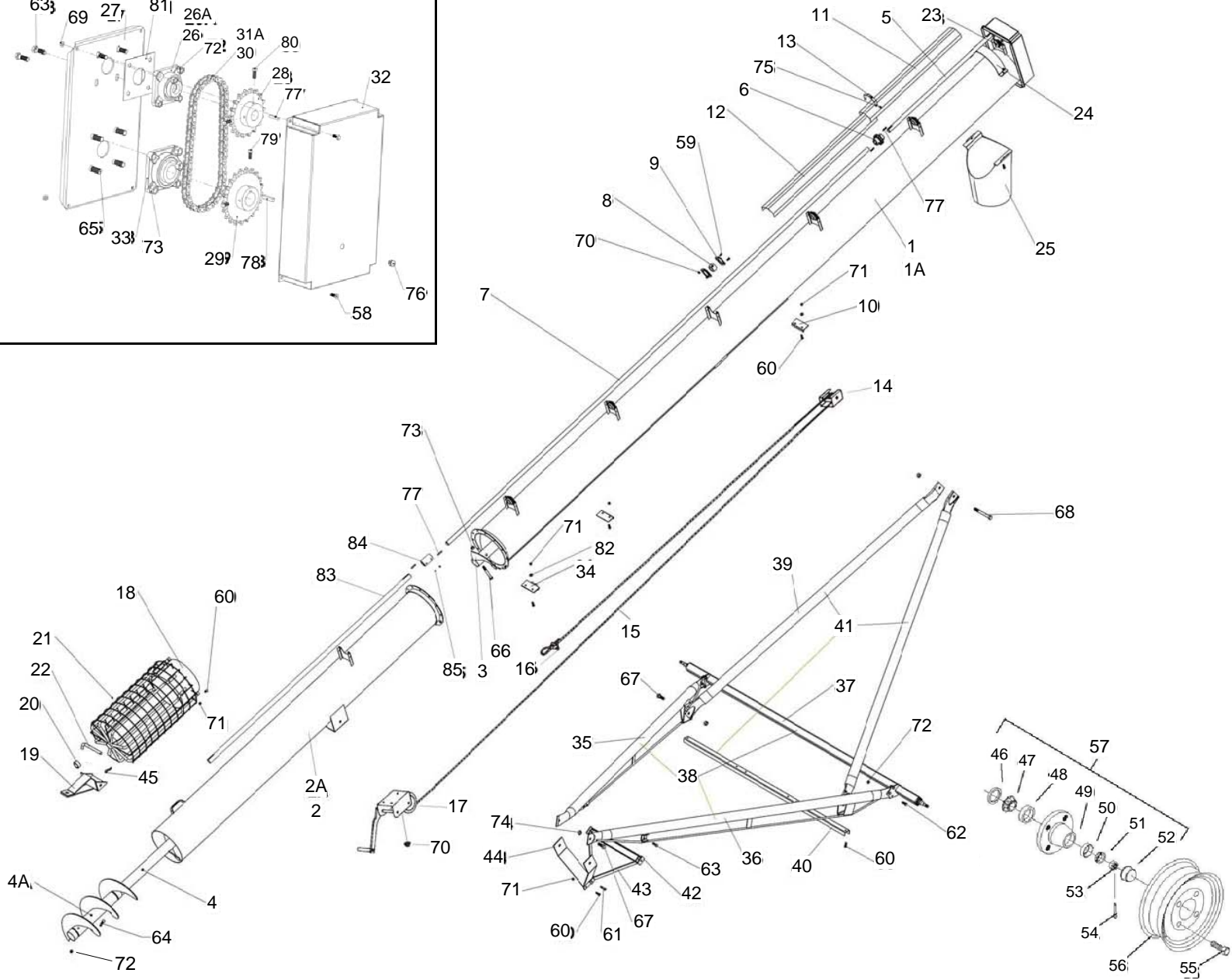
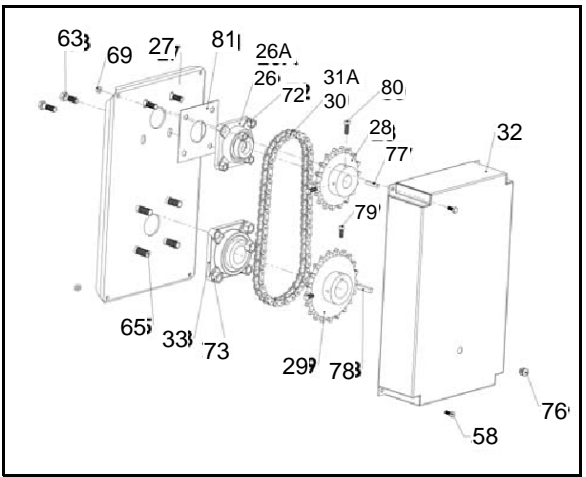
W130 31 BASIC AUGER

ITEM	PART NO.	DESCRIPTION
1	10-17263	Upper tube section w/ drive shaft, housing, track
1A	10-17264	Upper tube bundle
2	10-29541	Lower tube section
2A	10-29542	Lower tube bundle, as shipped
3	10-17267	Upper flight section
4	10-29632	Lower flight section
4A	10-29631	Intake Flight
5	10-19763	Short upper driveshaft, 48" long
6	10-19771	Chain flex connector
7	10-19769	Upper driveshaft, 16' 4" long
8	10-18691	1-1/4" wood bearing
9	10-18695	1-1/4" bearing flange, single, 2 bolt
10	10-18762	Angle track stop
11	10-19254	Driveshaft shield, 42" long
12	10-19255	Driveshaft shield, 48" long
13	10-19256	Shield tie-down strap
14	10-18763	Roller track shoe
15	10-29622	1/4" Cable, 31' long
16	10-19147	Cable clamp
17	10-19569	Winch, 15:1 ratio
18	10-17269	Intake hitch w/ shield, bushing, grease fitting
19	10-17270	Clevis, less pin
20	10-21095	1-3/4" I.D X 2-1/4" O.D X2" Long Bushing
21	10-19222	Press-in grease fitting
22	10-17251	Clevis pin
23	10-19773	Upper shield attach bracket
24	10-18987	Tube halfband
25	10-29308	Spout, one piece rolled
26	10-19567	1-1/4" Bearing, w/ 4 bolt flange
26A	10-18852	1-1/4" Bearing , less flange
27	10-17271	Upper drive housing
28	10-19779	Upper sprocket, 80 B18 x 1-1/4"
29	10-17169	Lower sprocket, 80 B21 x 1-3/4"
30	10-17272	Roller chain w/ connector
32	10-17273	Housing cover
33	10-18518	1-3/4" Bearing w/ 4 bolt flange
34	10-29540	Lift cable attach bracket
35	10-28277	Lower frame, left
36	10-28278	Lower frame, right
37	10-18090	Axle w/ spindles, nuts, cotter pins
38	10-28276	Lower frame bundle
39	10-28280	Upper frame tube
40	10-19376	crossmember
41	10-28279	Upper frame bundle, includes #39
42	10-29546	Short crossmember
43	10-18908	Stabilizer brace
44	10-29545	Stabilizer bracket
45	10-17383	Grip clip
46	10-19264	Seal
47	10-19265	Large bearing, Timken # LM 67048



W130 31 BASIC AUGER

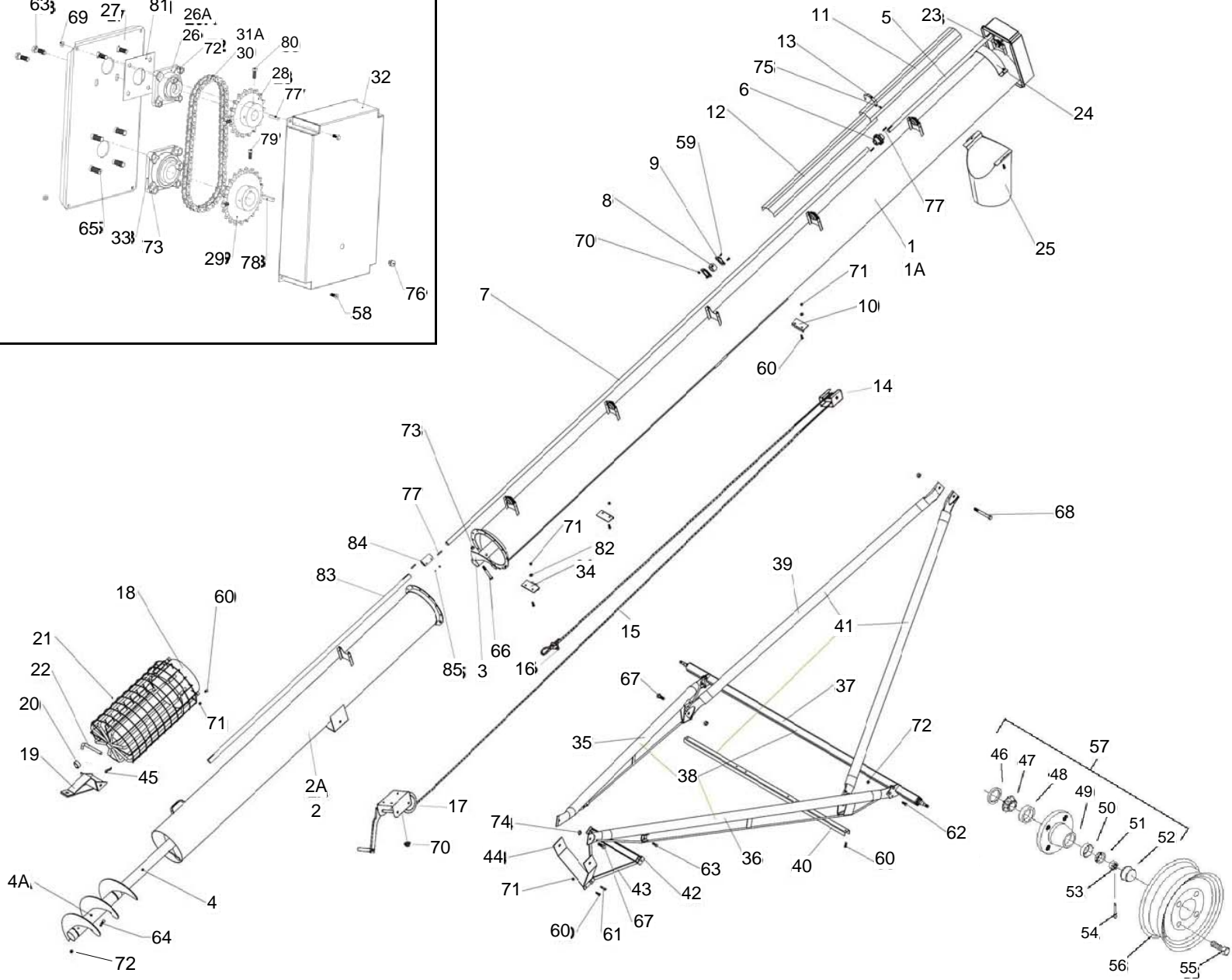
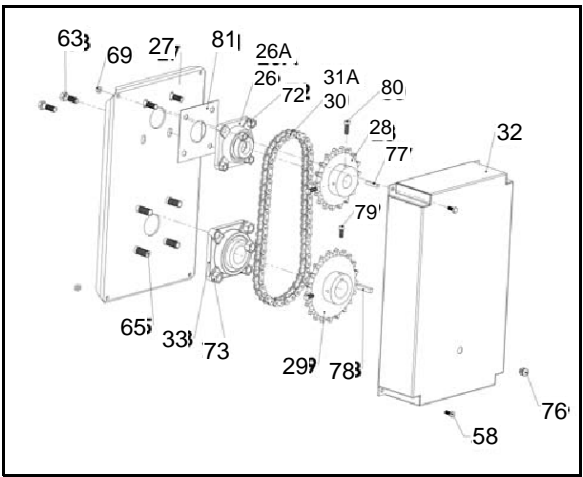
ITEM	PART NO.	DESCRIPTION
48	10-19266	Large cup, Timken # LM 67010
49	10-19267	Hub w/ cups
50	10-19268	Smal cup, Timken # LM 19110
51	10-19269	Small bearing, Timkne # LM 11949
52	10-19272	Dust cap
53	10-19270	Slotted nut, 3/4" -16
54	10-19271	Cotter pin, 1/8" x 1-1/2"
55	10-19273	Wheel bolt, 1/2" - 20 x 1"
56	10-19261	15" Wheel bolt, 4 bolt
57	10-19467	Hub assembly, complete
58	10-19538	Bolt, 5/16" - 18 x 3/4", grade 2
59	10-19540	Bolt, 3/8" - 16 x 3/4", grade 2
60	10-18698	Bolt, 7/16" - 14 x 1-1/4", grade 8
61	10-19981	Bolt, 7/16" - 14 x 1-3/4", grade 5
62	10-19588	Bolt, 1/2" - 13 x 1-1/4", grade 5
63	10-19589	Bolt, 1/2" - 13 x 1-1/2", grade 5
64	10-29160	Bolt, 1/2" - 13 x 4-1/2", grade 5
65	10-18544	Bolt, 5/8" - 11 x 1-3/4", grade 5
66	10-18545	Bolt, 5/8" - 11 x 4-1/2", grade 8
67	10-19592	Bolt, 3/4" - 10 x 2", grade 5
68	10-19593	Bolt, 3/4" - 10 x 6-1/2", grade 5
69	10-19595	Whiznut, 5/16" - 18
70	10-19596	Whiznut, 3/8" - 16
71	10-17593	Locknut, 7/16" - 14
72	10-17750	Locknut, 1/2" - 13
73	10-19600	Locknut, 5/8" - 11
74	10-19601	Locknut, 3/4" -10
75	10-19274	Self tapping screw
76	10-17179	3/8" Plug
77	10-19606	Square key, 1/4" x 1-1/2"
78	10-17066	Square key, 3/8" x 1-3/4"
79	10-29118	Square head set screw, 3/8" x 3/4", grade 8
80	10-29119	Square head set screw, 3/8" x 1", grade 8
81	10-11265	Bearing seal
82	10-17182	7/16" washer, 10 ga
83	10-19768	Lower Driveshaft, 6' 4"
84	10-19770	Driveshaft Connector
85	10-19225	Set Screw, 3/8"



W130 36 BASIC AUGER

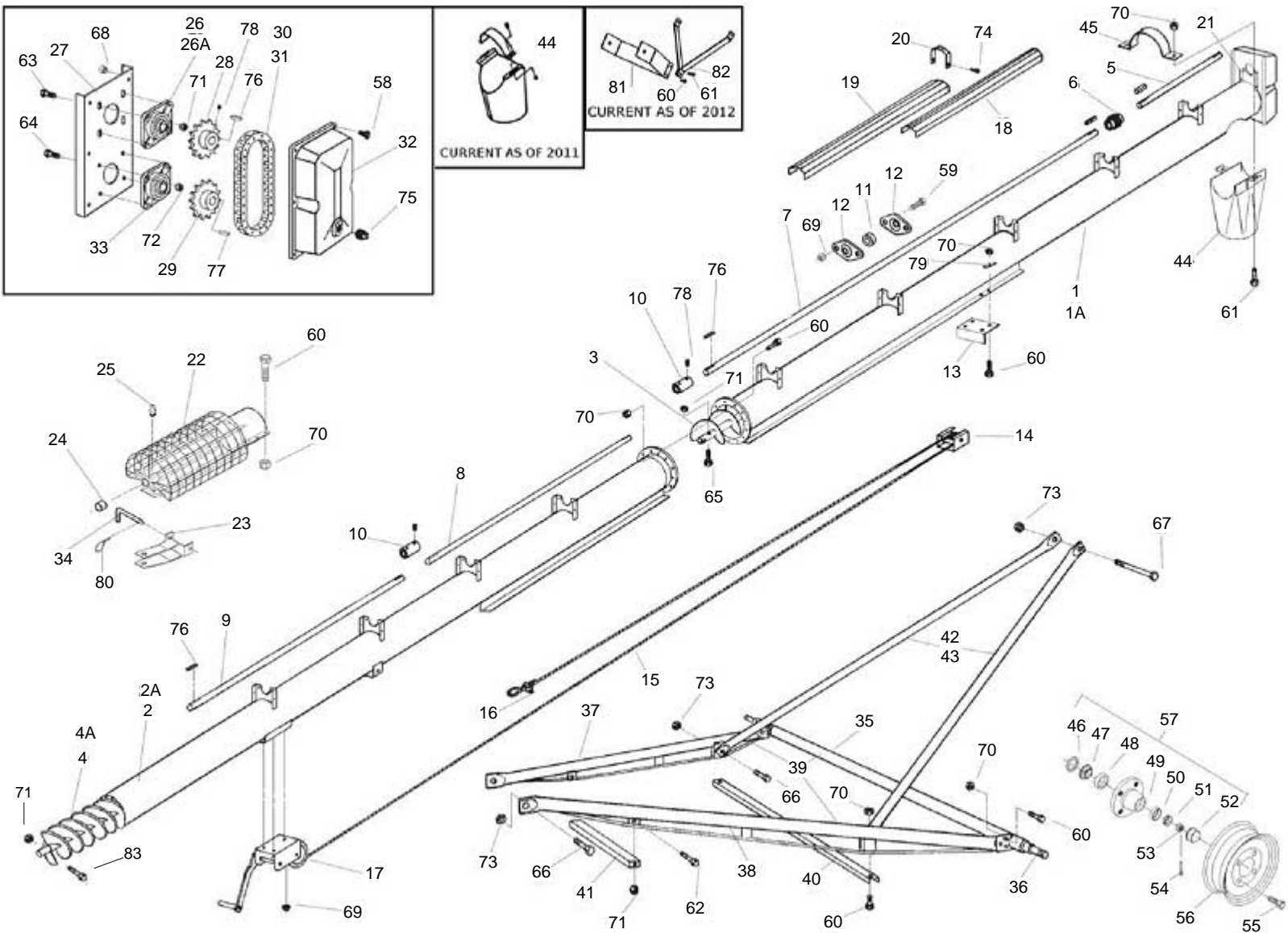
ITEM	PART NO.	DESCRIPTION
1	10-17263	Upper tube section w/ drive shaft, housing, track
1A	10-17264	Upper tube bundle
2	10-29543	Lower tube section
2A	10-29544	Lower tube bundle, as shipped
3	10-17267	Upper flight section
4	10-29633	Lower flight section
4A	10-29631	Intake Flight
5	10-19763	Short upper driveshaft, 48" long
6	10-19771	Chain flex connector
7	10-19769	Upper driveshaft, 16' 4" long
8	10-18691	1-1/4" wood bearing
9	10-18695	1-1/4" bearing flange, single, 2 bolt
10	10-18762	Angle track stop
11	10-19254	Driveshaft shield, 42" long
12	10-19255	Driveshaft shield, 48" long
13	10-19256	Shield tie-down strap
14	10-18763	Roller track shoe
15	10-18823	1/4" Cable, 38' long
16	10-19147	Cable clamp
17	10-19569	Winch, 15:1 ratio
18	10-17269	Intake hitch w/ shield, bushing, grease fitting
19	10-17270	Clevis, less pin
20	10-21095	1-3/4" I.D X 2-1/4" O.D X 2" Long Bushing
21	10-19222	Press-in grease fitting
22	10-17251	Clevis pin
23	10-19773	Upper shield attach bracket
24	10-18987	Tube halfband
25	10-29308	Spout, one piece rolled
26	10-19567	1-1/4" Bearing, w/ 4 bolt flange
26A	10-18852	1-1/4" Bearing , less flange
27	10-17271	Upper drive housing
28	10-19779	Upper sprocket, 80 B18 x 1-1/4"
29	10-17169	Lower sprocket, 80 B21 x 1-3/4"
30	10-17272	Roller chain w/ connector
31	10-19323	Roller chain connector only
32	10-17273	Housing cover
33	10-18518	1-3/4" Bearing w/ 4 bolt flange
35	10-28277	Lower frame, left
36	10-28278	Lower frame, right
37	10-18090	Axle w/ spindles, nuts, cotter pins
38	10-28276	Lower frame bundle
39	10-28280	Upper frame tube
40	10-19376	crossmember
41	10-28279	Upper frame bundle, includes #39
42	10-29546	Short crossmember
43	10-18908	Stabilizer brace
44	10-29545	Stabilizer bracket
45	10-17383	Grip clip
46	10-19264	Seal
47	10-19265	Large bearing, Timken # LM 67048

W130 36 BASIC AUGER



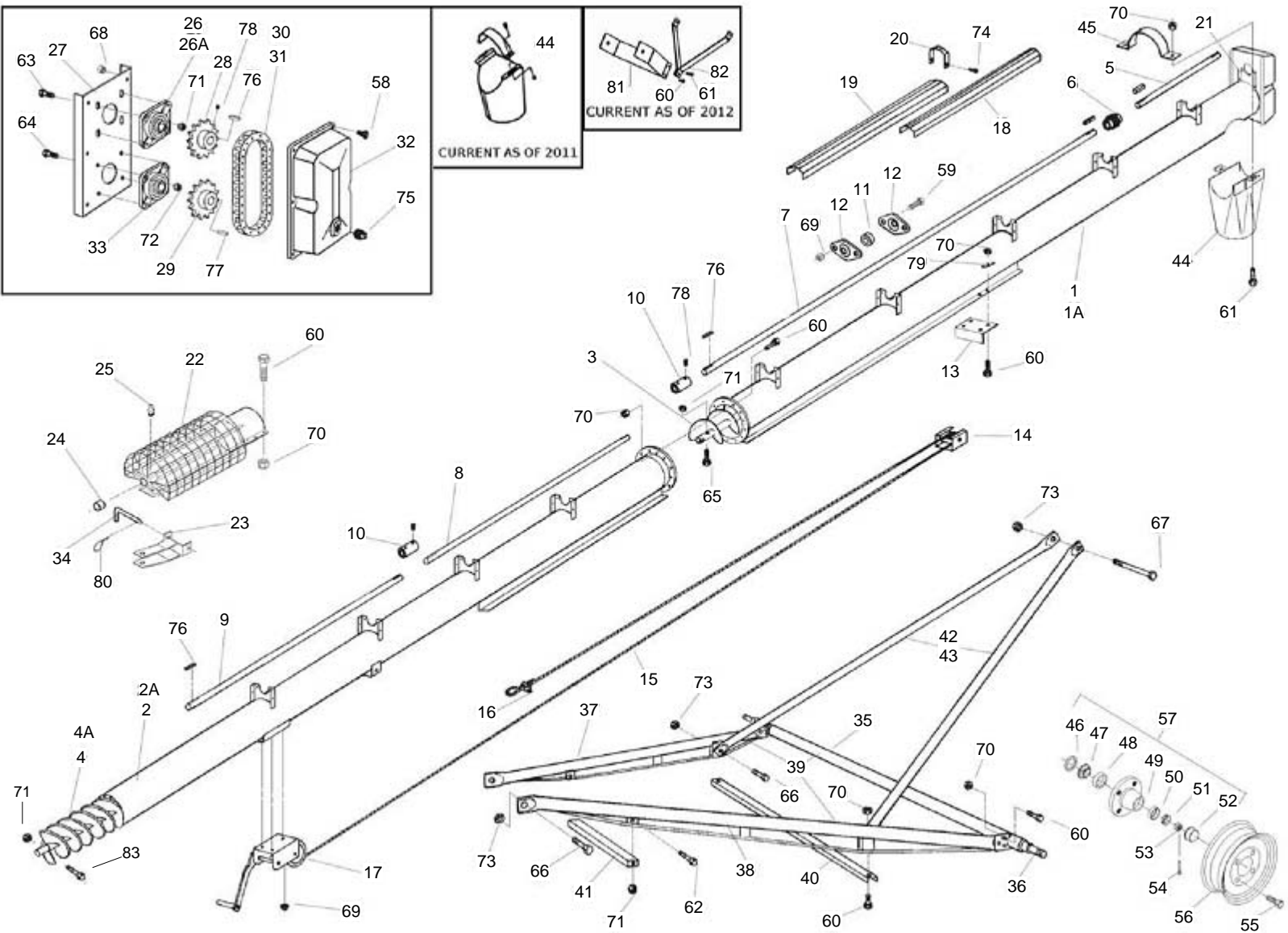
W130 36 BASIC AUGER

ITEM	PART NO.	DESCRIPTION
48	10-19266	Large cup, Timken # LM 67010
49	10-19267	Hub w/ cups
50	10-19268	Smal cup, Timken # LM 19110
51	10-19269	Small bearing, Timkne # LM 11949
52	10-19272	Dust cap
53	10-19270	Slotted nut, 3/4" -16
54	10-19271	Cotter pin, 1/8" x 1-1/2"
55	10-19273	Wheel bolt, 1/2" - 20 x 1"
56	10-19261	15" Wheel bolt, 4 bolt
57	10-19467	Hub assembly, complete
58	10-19538	Bolt, 5/16" - 18 x 3/4", grade 2
59	10-19540	Bolt, 3/8" - 16 x 3/4", grade 2
60	10-18698	Bolt, 7/16" - 14 x 1-1/4", grade 8
61	10-19981	Bolt, 7/16" - 14 x 1-3/4", grade 5
62	10-19588	Bolt, 1/2" - 13 x 1-1/4", grade 5
63	10-19589	Bolt, 1/2" - 13 x 1-1/2", grade 5
64	10-29160	Bolt, 1/2" - 13 x 4-1/2", grade 5
65	10-18544	Bolt, 5/8" - 11 x 1-3/4", grade 5
66	10-18545	Bolt, 5/8" - 11 x 4-1/2", grade 8
67	10-19592	Bolt, 3/4" - 10 x 2", grade 5
68	10-19593	Bolt, 3/4" - 10 x 6-1/2", grade 5
69	10-19595	Whiznut, 5/16" - 18
70	10-19596	Whiznut, 3/8" - 16
71	10-17593	Locknut, 7/16" - 14
72	10-17750	Locknut, 1/2" - 13
73	10-19600	Locknut, 5/8" - 11
74	10-19601	Locknut, 3/4" -10
75	10-19274	Self tapping screw
76	10-17179	3/8" Plug
77	10-19606	Square key, 1/4" x 1-1/2"
78	10-17066	Square key, 3/8" x 1-3/4"
79	10-29118	Square head set screw, 3/8" x 3/4", grade 8
80	10-29119	Square head set screw, 3/8" x 1", grade 8
81	10-11265	Bearing seal
82	10-17182	7/16" washer, 10 ga
83	10-19942	Lower Driveshaft, 11' 8"
84	10-19770	Driveshaft Connector
85	10-19225	Set Screw, 3/8"



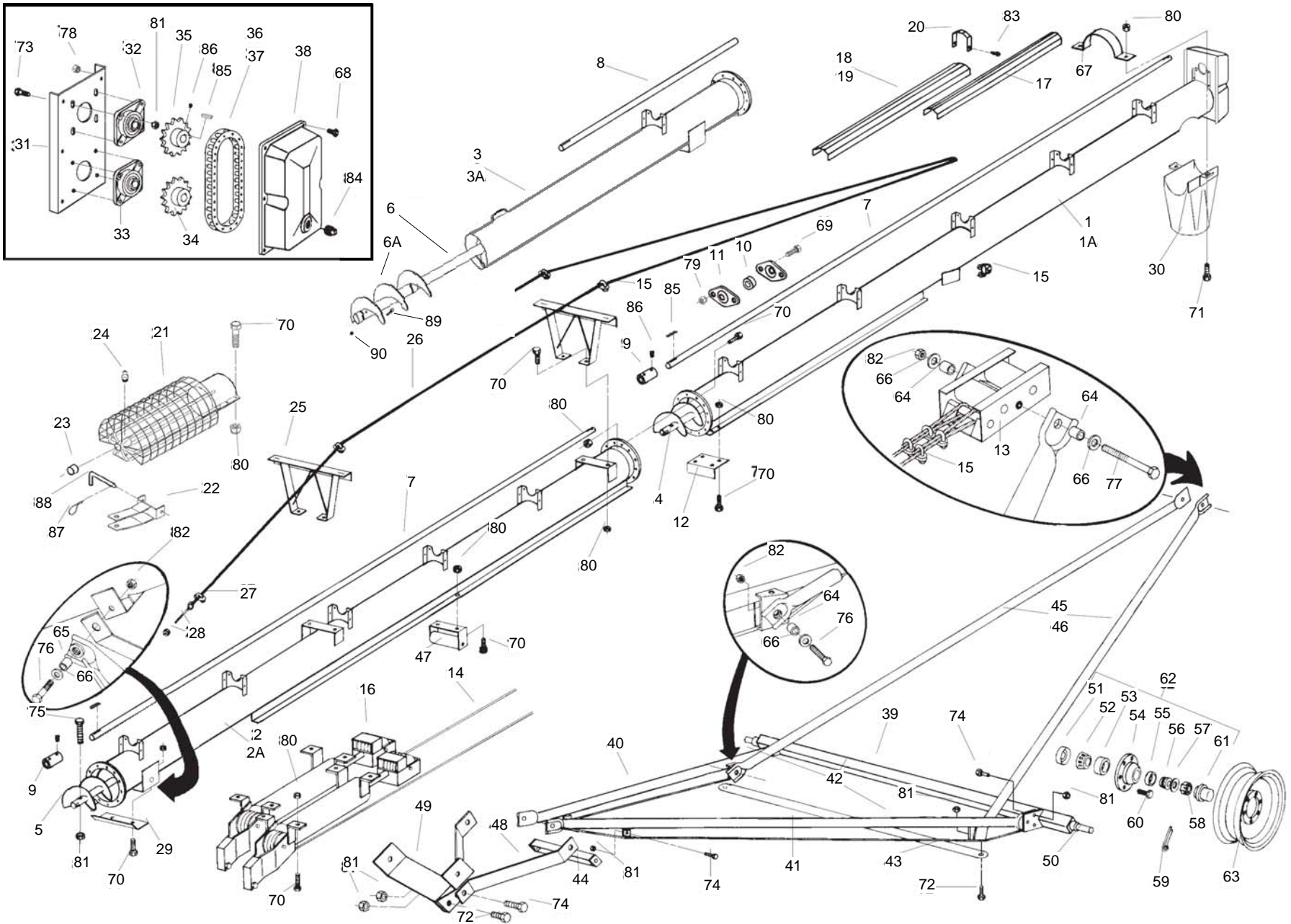
W130 41 BASIC AUGER

ITEM	PART NO.	DESCRIPTION
1	10-17263	Upper tube section w/driveshaft, housing, track
1A	10-17264	Upper tube bundle, as shipped
2	10-17265	Lower tube section with driveshaft
2A	10-20519	Lower tube bundle, as shipped
3	10-17267	Upper flight section
4	10-20518	W130-41 lower flight
4A	10-29631	Intake Flight
5	10-19763	Short upper driveshaft, 48" long
6	10-19771	Chain flex connector
7	10-19769	Upper driveshaft, 16' 4" long
8	10-19768	Lower driveshaft, 6' 4" long
9	10-19953	Lower driveshaft, 9' 9" long
10	10-19770	Driveshaft connector, 1-1/4" bore
11	10-18693	1-1/4" split hardwood bearing
12	10-18695	1-1/4" bearing flange, single, 2 bolt
13	10-18762	Angle track stop
14	10-17203	Roller track shoe
15	10-18823	1/4" Cable, 38' long
16	10-19147	1/4" Cable clamp
17	10-19569	Winch, 15:1 ratio
18	10-19254	Driveshaft shield, 42" long
19	10-19255	Driveshaft shield, 48" long
19A	10-18829	DRIVESHAFT SHIELD, 60" LONG
20	10-19256	Shield tie-down strap
21	10-19773	Upper shield attach bracket
22	10-17269	Intake hitch w/shield, bushing, grease fitting
23	10-17270	Clevis, less pin
24	10-21095	1-3/4" X 2-1/4" X 2" Long Bushing
25	10-19222	Press-in grease fitting
26	10-19567	1-1/4" Bearing, w/4 bolt flange
26A	10-18852	1-1/4" Bearing, less flange
27	10-17271	Upper drive housing
28	10-19779	Upper sprocket, 80 B18 x 1-1/4"
29	10-17169	Lower sprocket, 80 B21 x 1-3/4"
30	10-17272	Roller chain w/connector
31	10-19323	Roller chain connector only
32	10-17273	Housing cover
33	10-18518	1-3/4" Bearing w/4 bolt flange
34	10-17251	Clevis pin
35	10-19340	Axle w/spindles, nuts, cotter pins
36	10-19263	Spindle, weld-on
37	10-17275	Lower reach tube, left
38	10-17276	Lower reach tube, right
39	10-17277	Lower reach frame bundle, as shipped
40	10-19376	crossmember
41	10-17279	Short crossmember
42	10-17280	Upper lift tube, left or right, single
43	10-17281	Upper lift bundle, as shipped, includes Ref. #40
44	10-29308	strap-on Spout
45	10-18987	Tube halfband



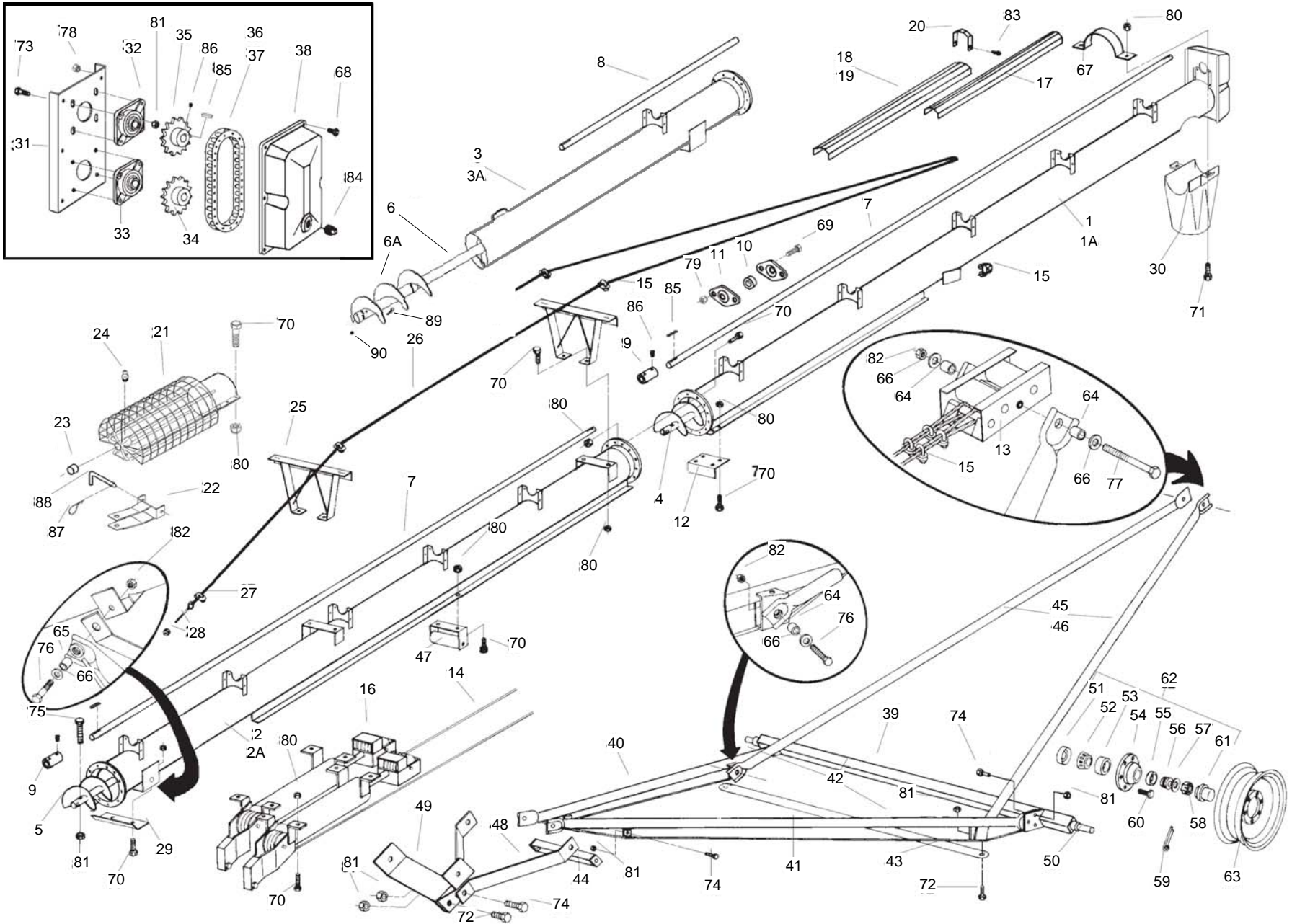
W130 41 BASIC AUGER

ITEM	PART NO.	DESCRIPTION
46	10-19264	Seal
47	10-19265	Large bearing, Timken #LM 67048
48	10-19266	Large cup, Timken #LM 67010
49	10-19267	Hub w/cups
50	10-19268	Small cup, Timken #LM 11910
51	10-19269	Small bearing, Timken #LM 11949
52	10-19272	Dust cap
53	10-19270	Slotted nut, 3/4" -16
54	10-19271	Cotter pin, 1/8" x 1-1/2"
55	10-19273	Wheel bolt, 1/2" - 20 x 1"
56	10-19261	15" Wheel bolt, 4 bolt
57	10-19467	Hub assembly, complete
58	10-19538	Bolt, 5/16" - 18 x 3/4", grade 2
59	10-19540	Bolt, 3/8" - 16 x 3/4", grade 2
60	10-18698	Bolt, 7/16" - 14 x 1-1/4", grade 5
61	10-19981	Bolt, 7/16" - 14 x 1-3/4", grade 5
62	10-19588	Bolt, 1/2" - 13 x 1-1/4", grade 5
63	10-19589	Bolt, 1/2" - 13 x 1-1/2", grade 2
64	10-18544	Bolt, 5/8" - 11 x 1-3/4", grade 5
65	10-18545	Bolt, 5/8" - 11 x 4-1/2", grade 8
66	10-19592	Bolt, 3/4" - 10 x 2", grade 5
67	10-19593	Bolt, 3/4" - 10 x 6-1/2", grade 5
68	10-19595	Washer-locknut, 5/16" - 18
69	10-19596	Washer-locknut, 3/8" - 16
70	10-19598	Locknut, 7/16" - 14
71	10-19599	Locknut, 1/2" - 13
72	10-19600	Locknut, 5/8" - 11
73	10-19601	Locknut, 3/4" - 10
74	10-19274	self-tapping screw, #14 x 5/8", w/washerhead
75	10-17179	3/8" Plug
76	10-19606	Square key, 1/4" x 1-1/2"
77	10-17066	Square key, 3/8" x 1-3/4"
78	10-19225	Set screw, 3/8" - 16 x 3/8"
79	10-17182	7/16" TRACK WASHER
80	10-17383	Grip clip
81	10-29545	w130-36/36 STABILIZER BRACKET
82	10-18908	MK51 STABILIZER BRACE
83	10-29160	Bolt, 1/2" X 4-1/2" GR8 PLTD



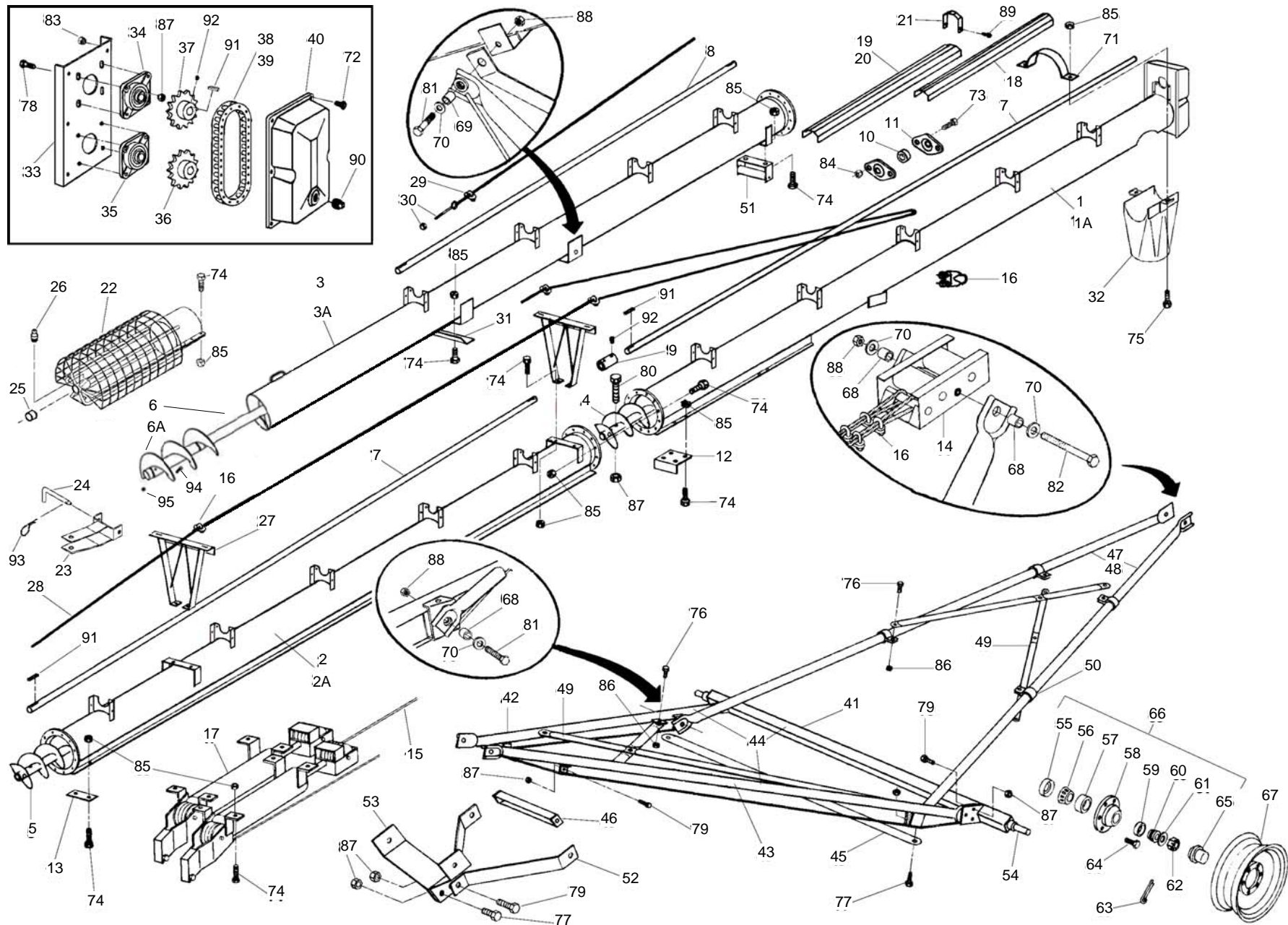
W130 51 BASIC AUGER

ITEM	PART NO.	DESCRIPTION
1	10-17282	Upper tube section w/driveshaft, housing, track
1A	10-17283	Upper tube bundle, as shipped
2	10-17284	Middle tube section
2A	10-17285	Middle tube bundle, as shipped
3	10-17286	Lower tube section
3A	10-22525	Lower tube bundle, as shipped
4	10-17267	Upper flight
5	10-18984	Middle flight
6	10-29632	Lower flight
6A	10-29631	W130 Intake Flight
7	10-17289	Upper & middle driveshaft, 20' long
8	10-17290	Lower driveshaft, 6' 3-1/4" long
9	10-17274	Driveshaft connector, 1-1/2" bore
10	10-17124	1-1/2" Hardwood bearing
11	10-18695	1-1/2" Bearing flange, single, 2 bolt
12	10-17017	Angle track stop
13	10-17005	Roller track shoe
14	10-18042	5/16" Lift cable
15	10-19333	5/16" Cable clamp
16	10-18033	Hydraulic cylinder w/cable and pulleys
17	10-19254	Driveshaft shield, 42" long
18	10-19255	Driveshaft shield, 48" long
19	10-18829	Driveshaft shield, 60" long
20	10-19256	Shield tie down strap
21	10-17269	Intake hitch w/shield, bushing, grease fitting
22	10-17270	Clevis less pin
23	10-21095	1-3/4" X 2-1/4" X 2" Long Bushing
24	10-19222	Press in grease fitting
25	10-18988	Truss support bracket
26	10-17278	3/8" Truss cable, 65' long
27	10-18990	3/8" Cable clamp
28	10-19331	Eye bolt w/nut
29	10-18989	Truss attach angle
30	10-29308	Spout, less half band
31	10-17291	Upper drive housing
32	10-17292	1-1/2" Bearing, w/4 bolt flange
33	10-18518	1-3/4" Bearing, w/4 bolt flange
34	10-17294	Lower sprocket, 21 tooth
35	10-17293	Upper sprocket, 18 tooth
36	10-17295	Roller chain w/connector
37	10-17296	Roller chain connector only
38	10-17297	Housing cover
39	10-17298	Axle w/spindles, nuts, cotter pins
40	10-17299	Lower reach tube, left
41	10-17300	Lower reach tube, right
42	10-17301	Lower reach frame bundle, as shipped
43	10-17302	crossmember
44	10-18999	Short crossmember
45	10-17303	Upper lift tube, left or right, single
46	10-17304	Upper lift bundle, as shipped, incl. Ref. #43



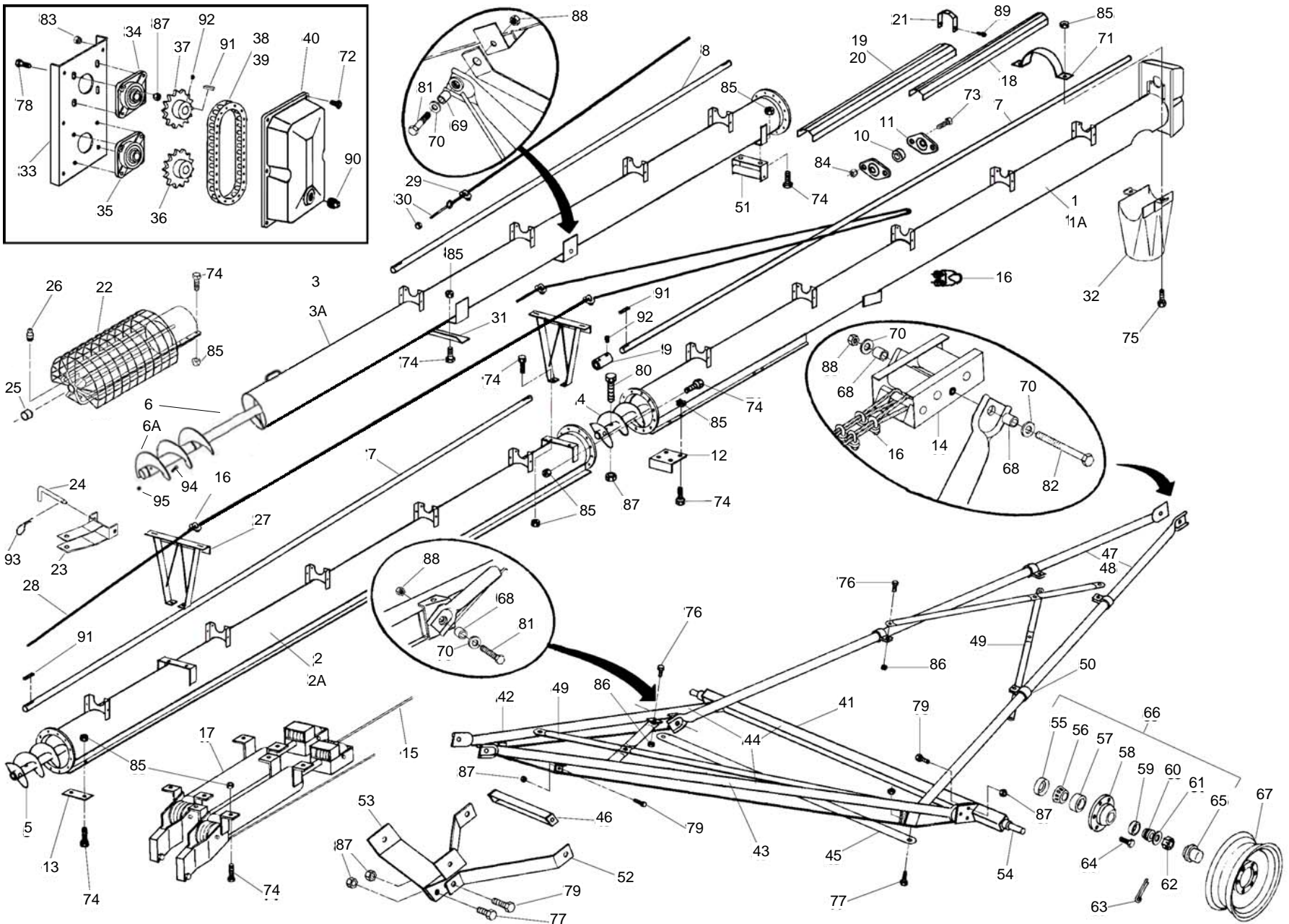
W130 51 BASIC AUGER

ITEM	PART NO.	DESCRIPTION
47	10-17024	Cable roller
48	10-17000	Stabilizer brace, single
49	10-27546	Stabilizer bracket, single
50	10-17004	Spindle, weld-on
51	10-17006	Seal
52	10-17007	Large bearing, Timken #LM 29749
53	10-17008	Large cup, Timken #LM 29710
54	10-17009	Hub w/cups
55	10-19266	Small cup, Timken #LM 67010
56	10-19265	Small bearing, Timken #LM 67048
57	10-17010	Washer
58	10-17011	Slotted nut, 1"
59	10-19271	Cotter pin, 1/8" x 1-1/2"
60	10-19273	Wheel bolt, 1/2" - 20 x 1-1/4"
61	10-17012	Dust cap
62	10-17013	Hub assembly, complete
63	10-17014	15" Wheel, 6 bolt
64	10-17021	Short spacer bushing
65	10-17022	Long spacer bushing
66	10-17020	Flatwasher, 1"
67	10-18987	Tube halfband
68	10-19538	Bolt, 5/16" - 18 x 3/4", grade 2
69	10-19540	Bolt, 3/8" - 16 x 3/4", grade 2
70	10-18698	Bolt, 7/16" - 14 x 1-1/4", grade 5
71	10-19981	Bolt, 7/16" - 14 x 1-3/4", grade 5
72	10-19590	Bolt, 5/8" - 11 x 1-1/2", grade 5
73	10-18544	Bolt, 5/8" - 11 x 1-3/4", grade 5
74	10-19991	Bolt, 5/8" - 11 x 2", grade 5
75	10-18545	Bolt, 5/8" - 11 x 4-1/2", grade 8
76	10-17016	Bolt, 1" - 8 x 3-1/2", grade 8
77	10-17015	Bolt, 1" - 8 x 10", grade 8
78	10-19595	Washer-locknut, 5/16" - 18
79	10-19596	Washer-locknut, 3/8" - 16
80	10-19598	Locknut, 7/16" - 14
81	10-19600	Locknut, 5/8" - 11
82	10-17019	Locknut, 1" - 8
83	10-19274	self-tapping screw, #14 x 5/8", w/washerhead
84	10-17179	3/8" plug
85	10-17066	Square key, 3/8" x 1-3/4"
86	10-19225	Set screw, 3/8" - 16 x 3/8"
87	10-17383	Grip clip
88	10-17251	Clevis pin
89	10-29160	Bolt, 1/2" x 4-1/2", GR8
90	10-17750	Locknut, 1/2"



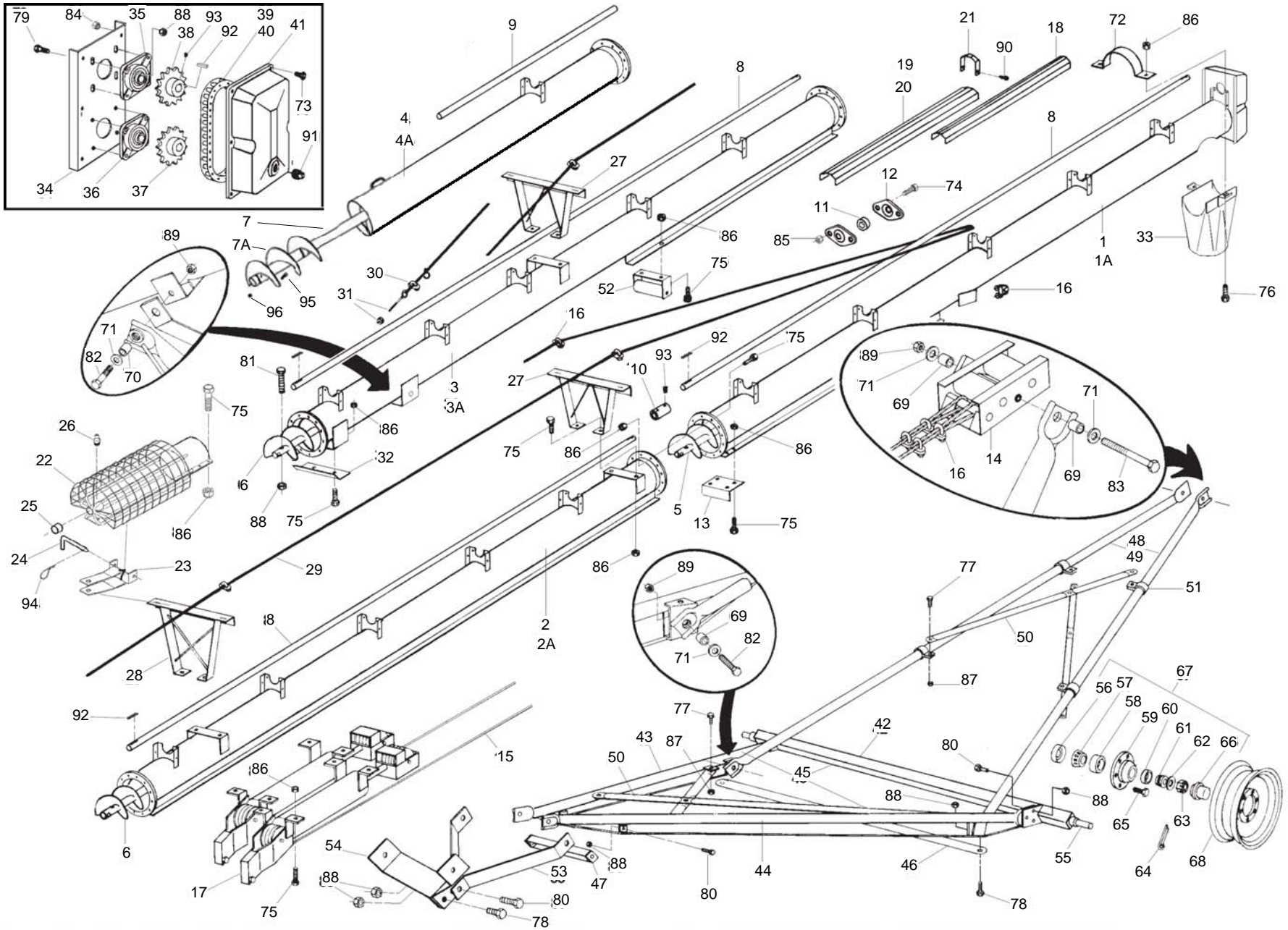
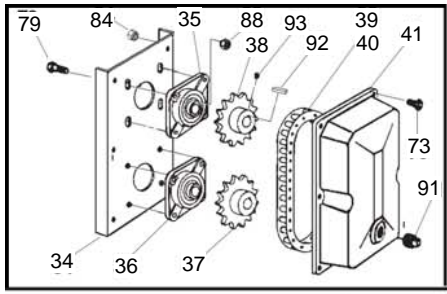
W130 61 BASIC AUGER

ITEM	PART NO.	DESCRIPTION
1	10-17282	Upper tube section w/driveshaft, housing, track
1A	10-17283	Upper tube bundle, as shipped
2	10-17305	Middle tube section
2A	10-17306	Middle tube bundle, as shipped
3	10-17307	Lower tube section
3A	10-22527	Lower tube bundle, as shipped
4	10-17267	Upper flight
5	10-18984	Middle flight
6	10-20518	Lower flight
6A	10-29631	W130 Intake Flight
7	10-17289	Upper & middle driveshaft, 20' long
8	10-17309	Lower driveshaft, 16' 3-1/4"
9	10-17274	Driveshaft connector, 1-1/2" bore
10	10-17124	1-1/2" Hardwood bearing
11	10-18695	1-1/2" Bearing flange, single, 2 bolt
12	10-17017	Angle track stop, upper
13	10-17003	Flat track stop, lower
14	10-17005	Roller track shoe
15	10-18043	5/16" Lift cable
16	10-19333	5/16" Cable clamp
17	10-18034	Hydraulic cylinder w/cable & pulleys
18	10-19254	Driveshaft shield, 42" long
19	10-19255	Driveshaft shield, 48" long
20	10-18829	Driveshaft shield, 60" long
21	10-19256	Shield tie down strap
22	10-17269	Intake hitch w/shield, bushing, grease fitting
23	10-17270	Clevis, less pin
24	10-17251	Clevis pin
25	10-21095	1-3/4" X 2-1/4" X 2" Long Bushing
26	10-19222	Press-in grease fitting
27	10-18988	Truss support bracket
28	10-17018	3/8" Truss cable, 82' 6" long
29	10-18990	3/8" Cable clamp
30	10-19331	Eye bolt w/nut
31	10-18989	Truss attach angle
32	10-29308	Spout, less halfband
33	10-17291	Upper drive housing
34	10-17292	1-1/2" Bearing, w/4 bolt flange
35	10-18518	1-3/4" Bearing, w/4 bolt flange
36	10-17294	Lower sprocket, 21 tooth
37	10-17293	Upper sprocket, 18 tooth
38	10-17295	Roller chain w/connector
39	10-17296	Roller chain connector only
40	10-17297	Housing cover
41	10-18997	Axle w/spindles, nuts, cotter pins
42	10-18994	Lower reach tube, left
43	10-18995	Lower reach tube, right
44	10-18996	Lower reach frame bundle, as shipped
45	10-18998	crossmember
46	10-18999	Short crossmember



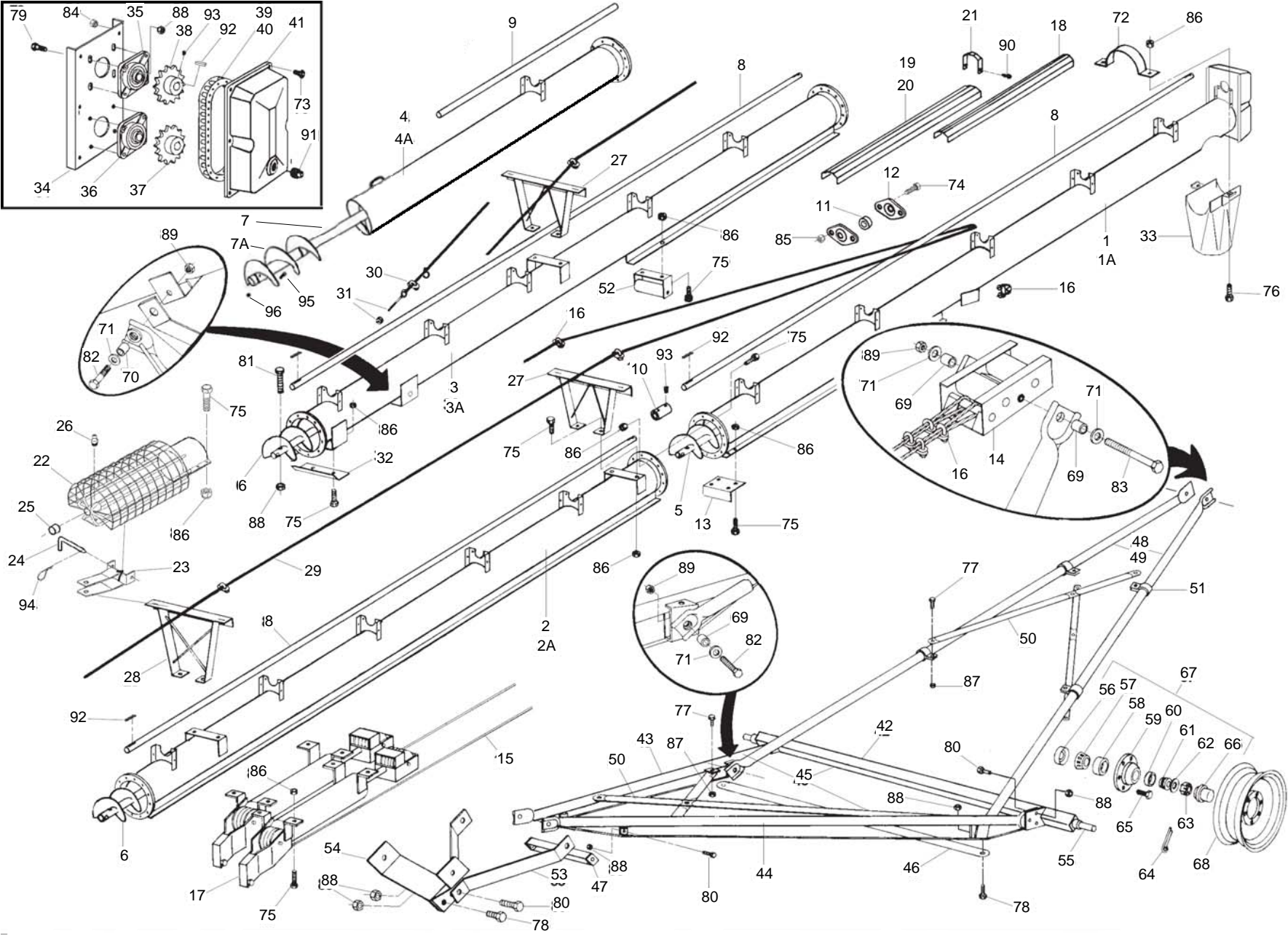
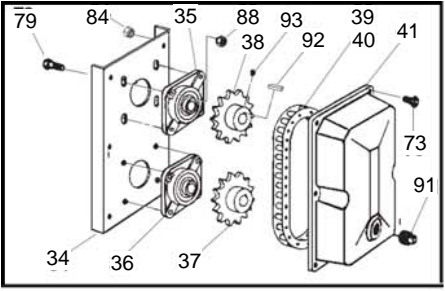
W130 61 BASIC AUGER

ITEM	PART NO.	DESCRIPTION
47	10-18991	Upper lift tube, left or right, single
48	10-18992	Upper lift bundle, as shipped, includes Ref. #45
49	10-17002	crossbrace
50	10-18993	Brace clamp
51	10-17024	Cable roller
52	10-17000	Stabilizer brace, single
53	10-27546	Stabilizer bracket, single
54	10-17004	Weld-on spindle
55	10-17006	Seal
56	10-17007	Large bearing, Timken #LM 29749
57	10-17008	Large cup, Timken #LM 29710
58	10-17009	Hub w/cups
59	10-19266	Small cup, Timken #LM 67010
60	10-19265	Small bearing, Timken #LM 67048
61	10-17010	Washer
62	10-17011	Slotted nut, 1"
63	10-19271	Cotter pin, 1/8" x 1-1/2"
64	10-19273	Wheel bolt, 1/2" - 20 x 1-1/4"
65	10-17012	Dust cap
66	10-17013	Hub assembly complete
67	10-17014	15" Wheel, 6 bolt
68	10-17021	Short spacer bushing
69	10-17022	Long spacer bushing
70	10-17020	Flat washer
71	10-18987	Tube halfband
72	10-19538	Bolt, 5/16" - 18 x 3/4", grade 2
73	10-19540	Bolt, 3/8" - 16 x 3/4", grade 2
74	10-18698	Bolt, 7/16" - 14 x 1-1/4", grade 5
75	10-19981	Bolt, 7/16" - 14 x 1-3/4", grade 5
76	10-19588	Bolt, 1/2" - 13 x 1-1/4", grade 5
77	10-19590	Bolt, 5/8" - 11 x 1-1/2", grade 5
78	10-18544	Bolt, 5/8" - 11 x 1-3/4", grade 5
79	10-19991	Bolt, 5/8" - 11 x 2", grade 5
80	10-18545	Bolt, 5/8" - 11 x 4-1/2", grade 8
81	10-17016	Bolt, 1" - 8 x 3-1/2", grade 8
82	10-17015	Bolt, 1" - 8 x 10", grade 8
83	10-19595	Washer-locknut, 5/16" - 18
84	10-19596	Washer-locknut, 3/8" - 16
85	10-19598	Locknut, 7/16" - 14
86	10-19599	Locknut, 1/2" - 13
87	10-19600	Locknut, 5/8" - 11
88	10-17019	Locknut, 1" - 8
89	10-19274	self-tapping screw, #14 x 5/8" w/washerhead
90	10-17179	3/8" Plug
91	10-17066	Square key, 3/8" x 1-3/4"
92	10-19225	Set screw, 3/8" - 16 x 3/8"
93	10-17383	Grip clip
94	10-29160	Bolt, 1/2" x 4-1/2", GR8
95	10-17750	Locknut, 1/2"



W130 71 BASIC AUGER

ITEM	PART NO.	DESCRIPTION
1	10-17282	Upper tube section w/driveshaft, housing, track
1A	10-17283	Upper tube bundle, as shipped
2	10-17305	Upper middle tube section
2A	10-17306	Upper middle tube bundle, as shipped
3	10-17310	Lower middle tube section
3A	10-17311	Lower middle tube bundle, as shipped
4	10-17312	Lower tube section
4A	10-22526	Lower tube bundle, as shipped
5	10-17267	Upper flight
6	10-18984	Middle flight
7	10-29632	Lower flight
7A	10-29631	W130 Intake Flight
8	10-17289	Upper & middle driveshaft, 20' long
9	10-17290	Lower driveshaft, 6' 3-1/4" long
10	10-17274	Driveshaft connector, 1-1/2" bore
11	10-17124	1-1/2" Hardwood bearing
12	10-18695	1-1/2" Bearing flange, single, 2 bolt
13	10-17017	Angle track stop
14	10-17005	Roller track shoe
15	10-18044	5/16" Lift cable
16	10-19333	5/16" Cable clamp
17	10-18035	Hydraulic cylinder w/cable & pulleys
18	10-19254	Driveshaft shield, 42" long
19	10-19255	Driveshaft shield, 48" long
20	10-18829	Driveshaft shield, 60" long
21	10-19256	Shield tie down strap
22	10-17269	Intake hitch w/shield, bushing, grease fitting
23	10-17270	Clevis, less pin
24	10-17251	Clevis pin
25	10-21095	1-3/4" X 2-1/4" X 2" Long Bushing
26	10-19222	Press-in grease fitting
27	10-18988	Truss support bracket, low
28	10-27534	Truss support bracket, high
29	10-17032	3/8" Truss cable, 100' long
30	10-18990	3/8" Cable clamp
31	10-19331	Eye bolt w/nut
32	10-18989	Truss attach angle
33	10-29308	Spout, less halfband
34	10-17291	Upper drive housing
35	10-17292	1-1/2" Bearing, w/4 bolt flange
36	10-18518	1-3/4" Bearing, w/4 bolt flange
37	10-17294	Lower sprocket, 21 tooth
38	10-17293	Upper sprocket, 18 tooth
39	10-17295	Roller chain, w/connector
40	10-17296	Roller chain connector only
41	10-17297	Housing cover
42	10-17038	Axle, w/spindles, nuts, cotter pins
43	10-17035	Lower reach tube, left
44	10-17036	Lower reach tube, right
45	10-17037	Lower reach frame bundle, as shipped



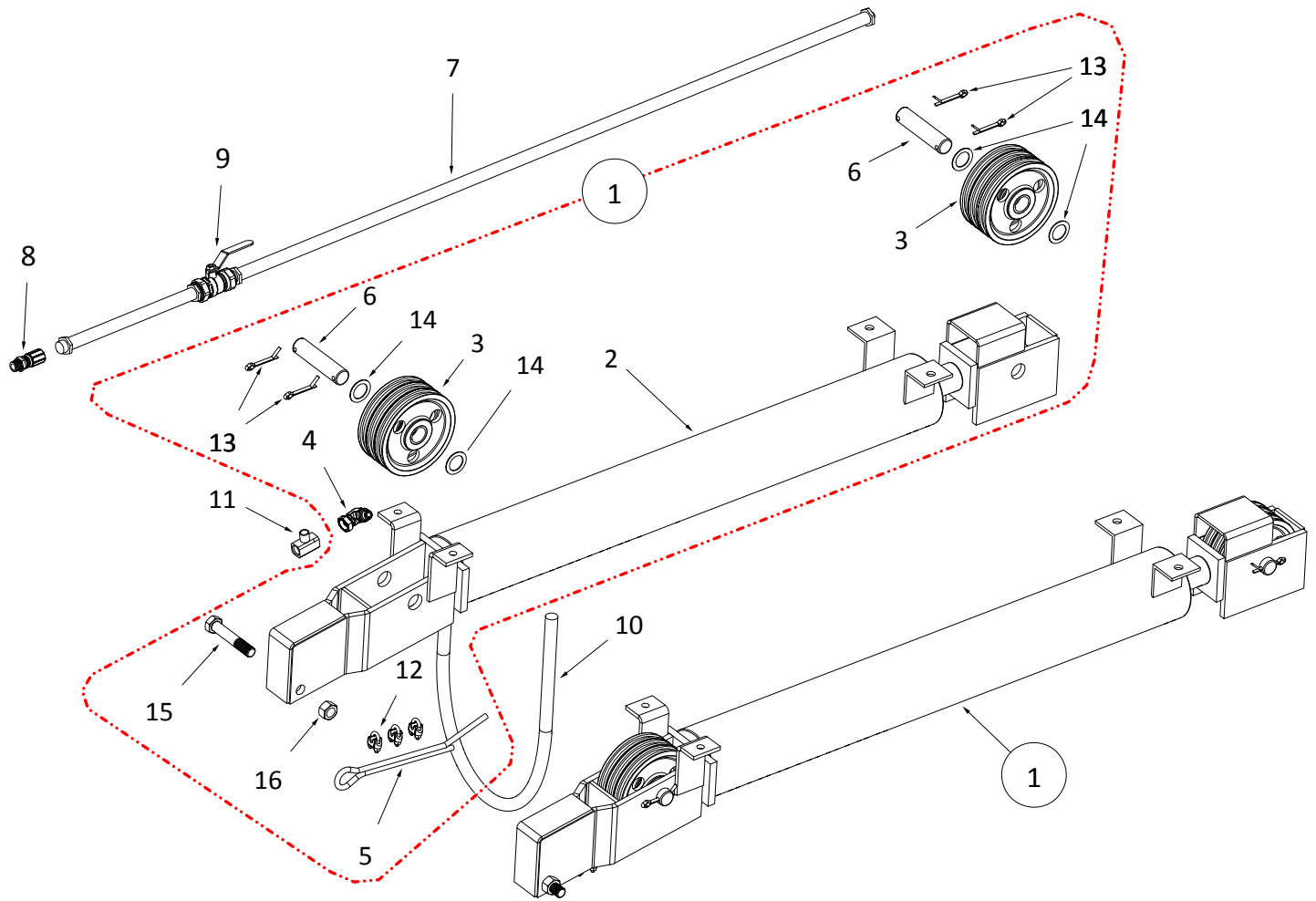
W130 71 BASIC AUGER

ITEM	PART NO.	DESCRIPTION
46	10-17039	crossmember
47	10-18999	Short crossmember
48	10-17033	Upper lift tube, left or right
49	10-17034	Upper lift bundle, as shipped, includes Ref. #46
50	10-17002	crossbrace
51	10-18993	Brace clamp
52	10-17024	Cable roller
53	10-17000	Stabilizer brace, single
54	10-27546	Stabilizer bracket, single
55	10-17004	Weld-on spindle
56	10-17006	Seal
57	10-17007	Large bearing, Timken #LM 29749
58	10-17008	Large cup, Timken #LM 29710
59	10-17009	Hub w/cups
60	10-19266	Small cup, Timken #LM 67010
61	10-19265	Small bearing, Timken #LM 67048
62	10-17010	Washer
63	10-17011	Slotted nut
64	10-19271	Cotter pin, 1/8" x 1-1/2"
65	10-19273	Wheel bolt, 1/2 - 20 x 1-1/4"
66	10-17012	Dust cap
67	10-17013	Hub assembly complete
68	10-17014	15" Wheel, 6 bolt
69	10-17021	Short spacer bushing
70	10-17022	Long spacer bushing
71	10-17020	Flat washer
72	10-18987	Tube halfband
73	10-19538	Bolt, 5/16" - 18 x 3/4", grade 2
74	10-19540	Bolt, 3/8" - 16 x 3/4", grade 2
75	10-18698	Bolt, 7/16" - 14 x 1-1/4", grade 5
76	10-19981	Bolt, 7/16" - 14 x 1-3/4", grade 5
77	10-19588	Bolt, 1/2" - 13 x 1-1/4", grade 5
78	10-19590	Bolt, 5/8" - 11 x 1-1/2", grade 5
79	10-18544	Bolt, 5/8" - 11 x 1-3/4", grade 5
80	10-19991	Bolt, 5/8" - 11 x 2", grade 5
81	10-18545	Bolt, 5/8" - 11 x 4-1/2", grade 8
82	10-17016	Bolt, 1" - 8 x 3-1/2", grade 8
83	10-17015	Bolt, 1" - 8 x 10", grade 8
84	10-19595	Washer-locknut, 5/16" - 18
85	10-19596	Washer-locknut, 3/8" - 16
86	10-19598	Locknut, 7/16" - 14
87	10-19599	Locknut, 1/2" - 13
88	10-19600	Locknut, 5/8" - 11
89	10-17019	Locknut, 1" - 8
90	10-19274	self-tapping screw, #14 x 5/8" w/washerhead
91	10-17179	3/8" Plug
92	10-17066	Square key, 3/8" x 1-3/4"
93	10-19225	Set screw, 3/8" - 16 x 3/8"
94	10-17383	Grip clip
95	10-29160	Bolt, 1/2" x 4-1/2", GR8

W130 71 BASIC AUGER

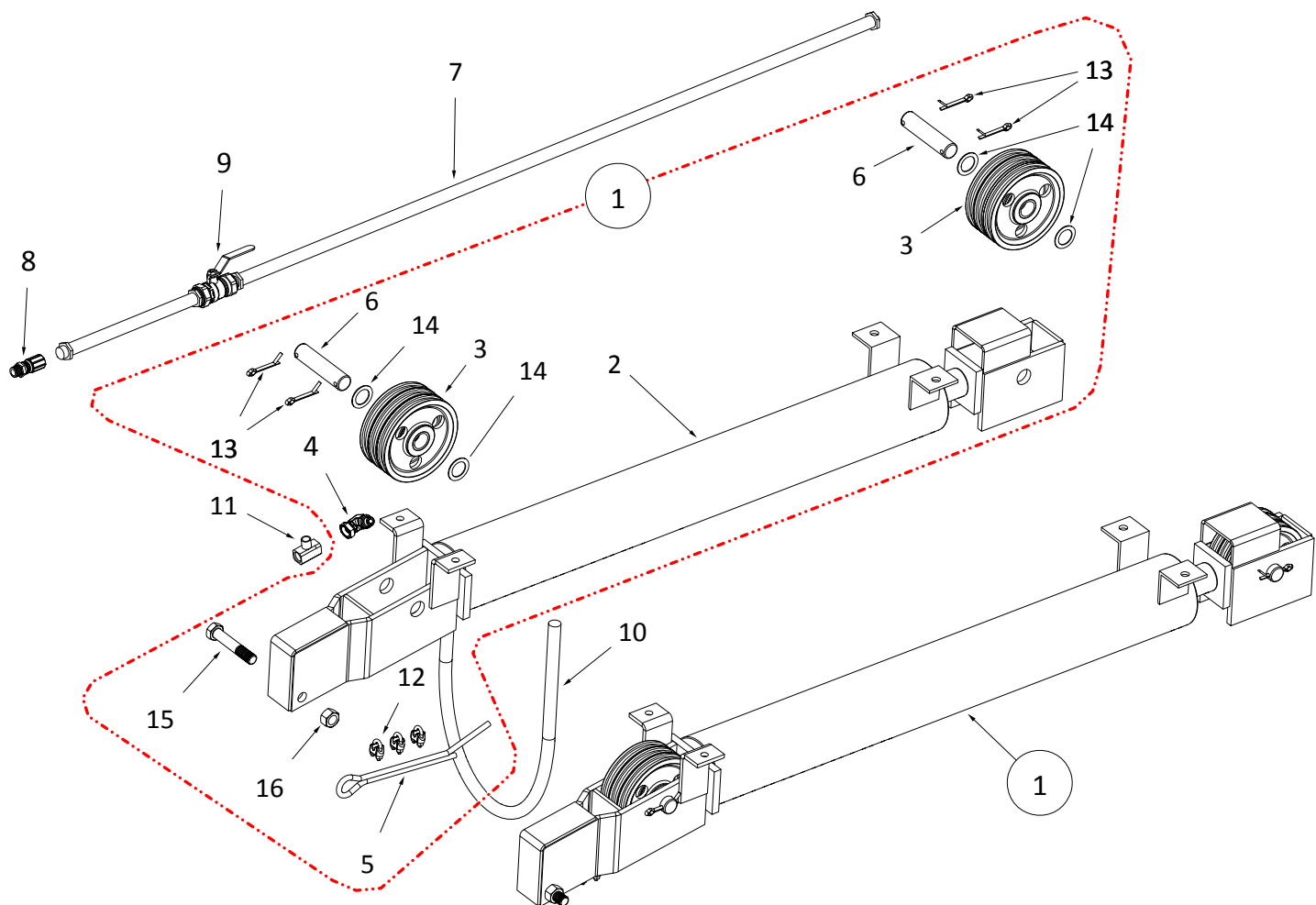
ITEM	PART NO.	DESCRIPTION
96	10-17750	Locknut, 1/2"

W130-51 HYDRAULIC HOSE COMPONENTS



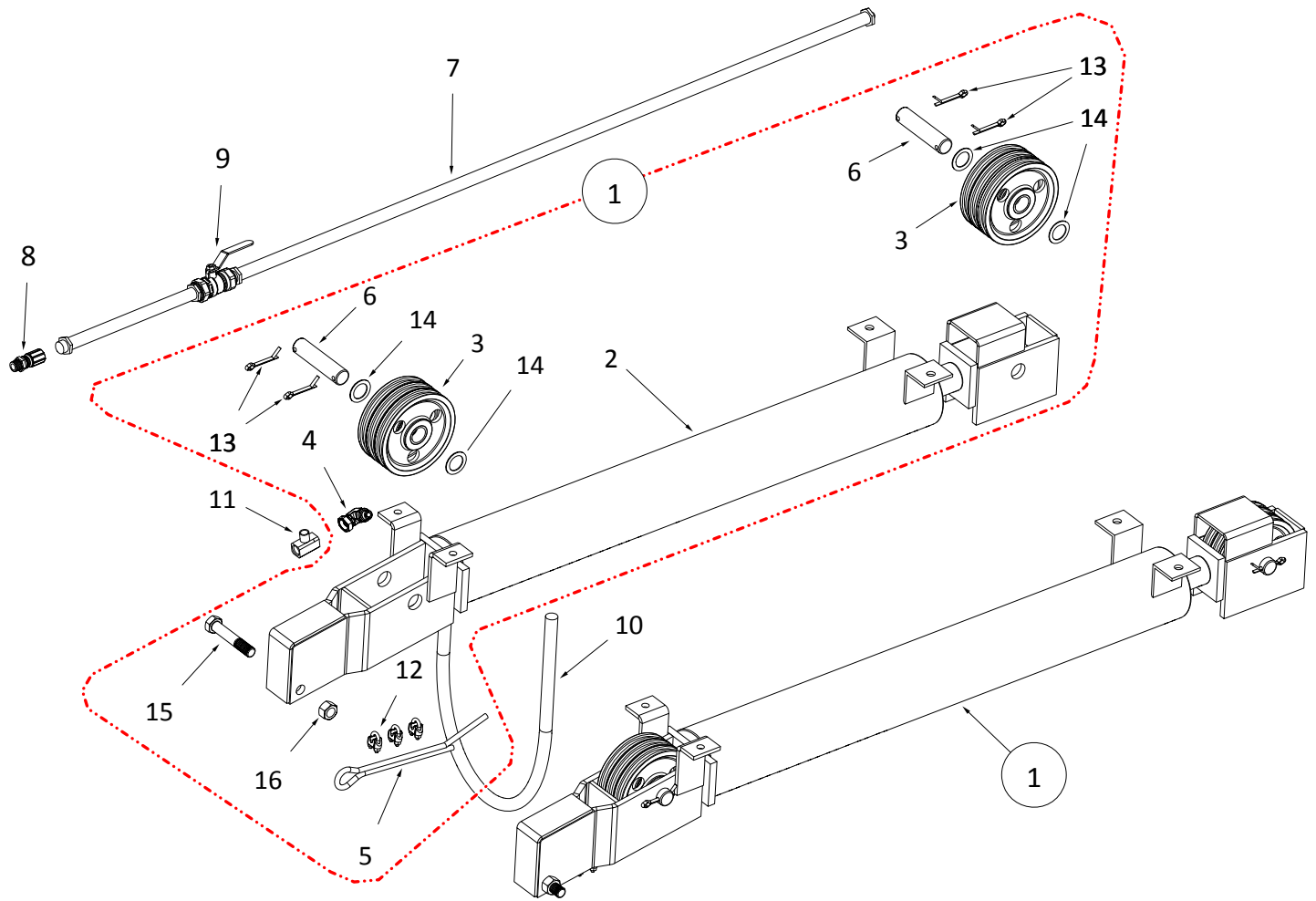
ITEM	PART NO.	DESCRIPTION
1	10-18033	Hydraulic Cylinder Assembly
2	10-19915	Hydraulic Cylinder Only
3	10-19918	Pulley, 5-1/2" Dia. W/Bushing
4	10-22191	STEEL ELBOW 6MORB X 3/8 F NPSM
5	10-18042	LIFT CABLE
6	10-18089	HYD CYLINDER PIN
7	10-17447	MK51 CYL HOSE ASSEMBLY
8	9900047	Pioneer Coupler
9	10-18084	BALL VALVE
10	10-18739	3/8" X 16" HYDRAULIC HOSE
11	10-18736	3/8 STREET TEE
12	10-19333	5/16" cable clamp
13	10-18098	COTTER PIN 1/4 X 1-3/4 C.ZINC PLTD
14	10-18097	1" RIM WASHER PLTD
15	10-18093	5/8" X 3-1/2" NC BOLT GR 5 PLTD
16	10-19600	5/8" NC NYLON LOCKNUT PLTD

W130-61 HYDRAULIC HOSE COMPONENTS

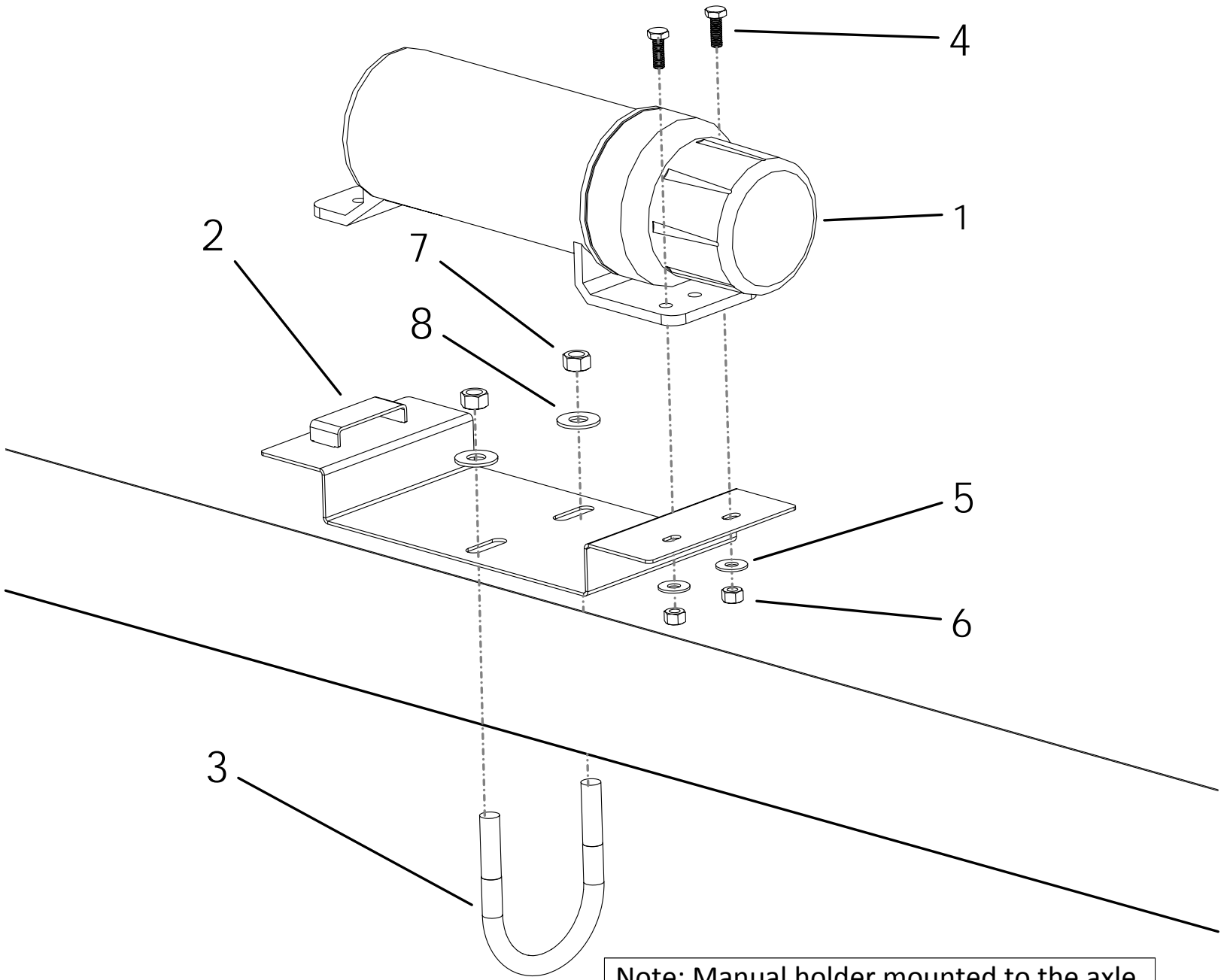


ITEM	PART NO.	DESCRIPTION
1	10-18034	Hydraulic Cylinder Assembly
2	10-19916	Hydraulic Cylinder Only
3	10-19918	Pulley, 5-1/2" Dia. W/Bushing
4	10-22191	STEEL ELBOW 6MORB X 3/8 F NPSM
5	10-18043	LIFT CABLE
6	10-18089	HYD CYLINDER PIN
7	10-17448	MK61 CYL HOSE ASSEMBLY
8	9900047	Pioneer Coupler
9	10-18084	BALL VALVE
10	10-18739	3/8" X 16" HYDRAULIC HOSE
11	10-18736	3/8 STREET TEE
12	10-19333	5/16" CABLE CLAMP
13	10-18098	COTTER PIN 1/4 X 1-3/4 C.ZINC PLTD
14	10-18097	1" RIM WASHER PLTD
15	10-18093	5/8" X 3-1/2" NC BOLT GR 5 PLTD
16	10-19600	5/8" NC NYLON LOCKNUT PLTD

W130-71 HYDRAULIC HOSE COMPONENTS



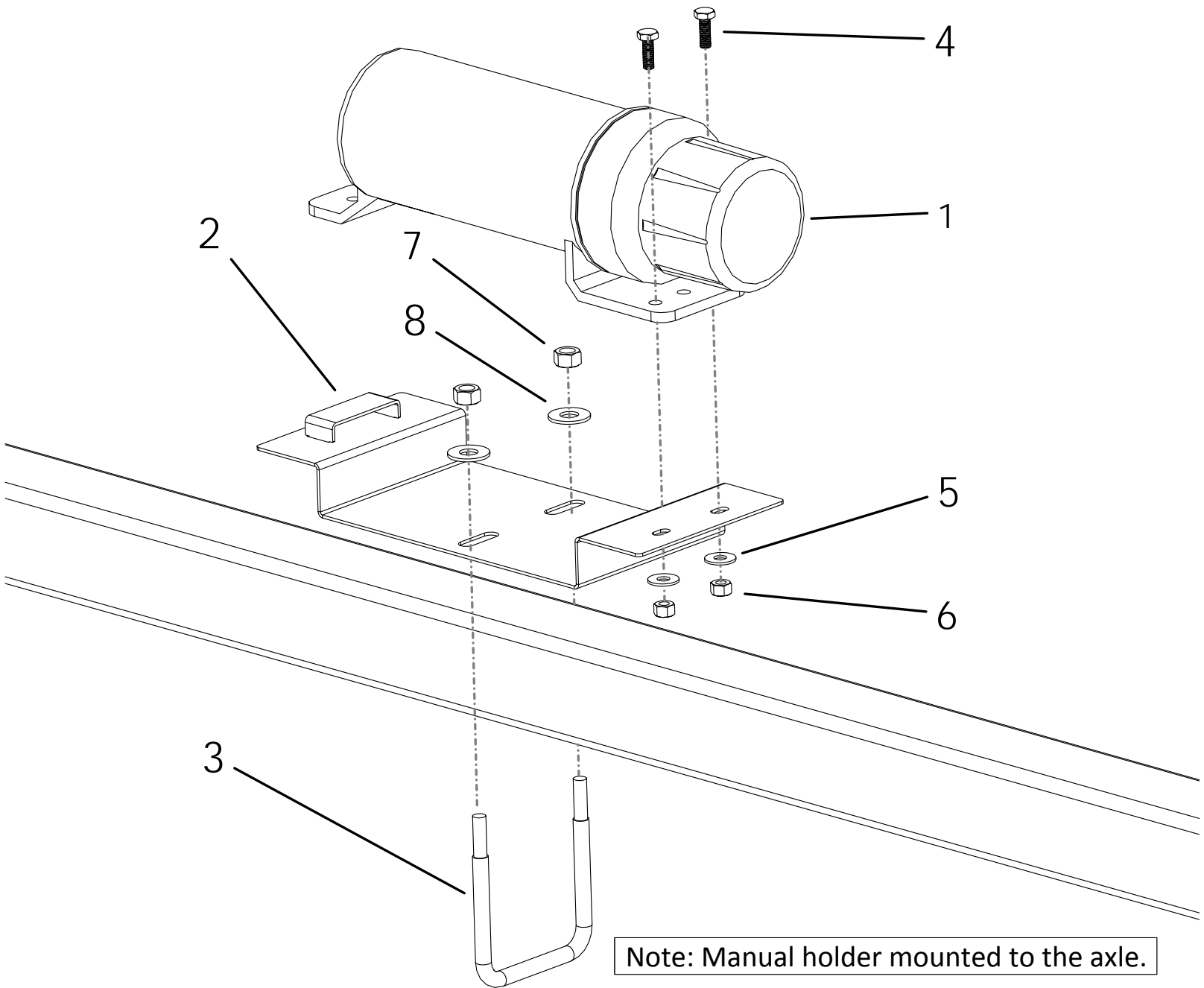
ITEM	PART NO.	DESCRIPTION
1	10-18035	Hydraulic Cylinder Assembly
2	10-19917	Hydraulic Cylinder Only
3	10-19918	Pulley, 5-1/2" Dia. W/Bushing
4	10-22191	STEEL ELBOW 6MORB X 3/8 F NPSM
5	10-18044	LIFT CABLE
6	10-18089	HYD CYLINDER PIN
7	10-17449	MK71 CYL HOSE ASSEMBLY
8	9900047	Pioneer Coupler
9	10-18084	BALL VALVE
10	10-18739	3/8" X 16" HYDRAULIC HOSE
11	10-18736	3/8 STREET TEE
12	10-19333	5/16" CABLE CLAMP
13	10-18098	COTTER PIN 1/4 X 1-3/4 C.ZINC PLTD
14	10-18097	1" RIM WASHER PLTD
15	10-18093	5/8" X 3-1/2" NC BOLT GR 5 PLTD
16	10-19600	5/8" NC NYLON LOCKNUT PLTD



Note: Manual holder mounted to the axle.

MANUAL HOLDER (WR60X26-51FT, WR80X26-51FT & WR100X31-41FT)

ITEM	PART NO.	DESCRIPTION
1	10-29755	Waterproof plastic manual holder
2	10-29798	Manual holder mount, Westfield
3	10-19610	U-Bolt, 3/8" x 2-1/2"
4	9900800	Bolt, 1/4" x 3/4" grade 5
5	9900683	Flat washer, 1/4"
6	10-28449	Locknut, 1/4"
7	10-17402	Locknut, 3/8"
8	10-17392	Flat washer, 3/8"



Note: Manual holder mounted to the axle.

MANUAL HOLDER (W130, WR60X61, WR80X56-71FT & WR100X51-71FT)

ITEM	PART NO.	DESCRIPTION
1	10-29755	Waterproof plastic manual holder
2	10-29798	Manual holder mount, Westfield
3	10-28833	U-Bolt SQ, 3/8" x 3-1/16" x 4" x 1"
4	9900800	Bolt, 1/4" x 3/4" grade 5
5	9900683	Flat washer, 1/4"
6	10-28449	Locknut, 1/4"
7	10-17402	Locknut, 3/8"
8	10-17392	Flat washer, 3/8"

WESTFIELD 

P.O. Box 39

Rosenort, Manitoba, R0G 1W0 Canada

Phone: (866) 467-7207 (Canada & USA) or (204) 746-2396

Fax: (866) 768-4852

website: www.grainaugers.com

email: sales@grainaugers.com

© Ag Growth International Inc. 2018

Printed in Canada

AGI 